

**O W N E R ' S
M A N U A L**

Monitor Series

LOUDSPEAKERS

MONITOR 30

MONITOR 40

MONITOR 50

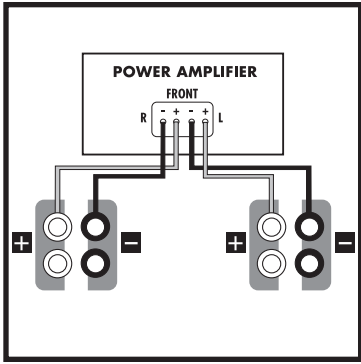
MONITOR 60

MONITOR 70

CS1

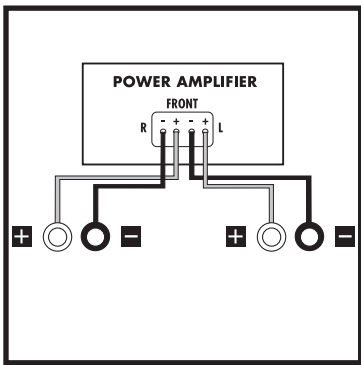
CS2

polkaudio
the speaker specialists®

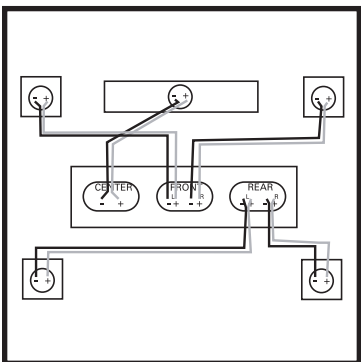
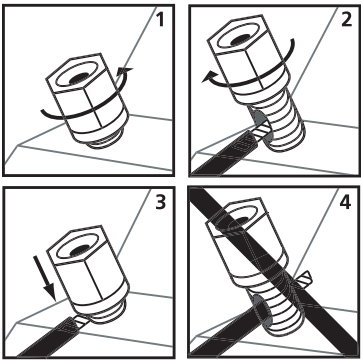


Monitor 30
 Monitor 40
 Monitor 50
 Monitor 60
 Monitor 70

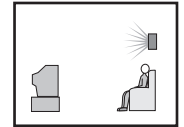
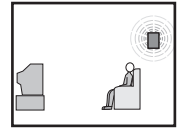
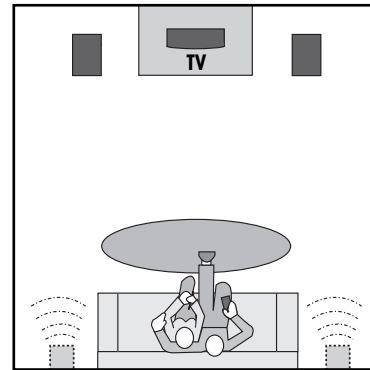
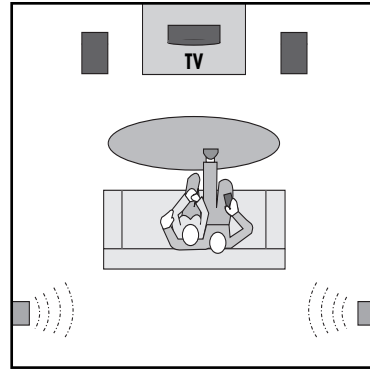
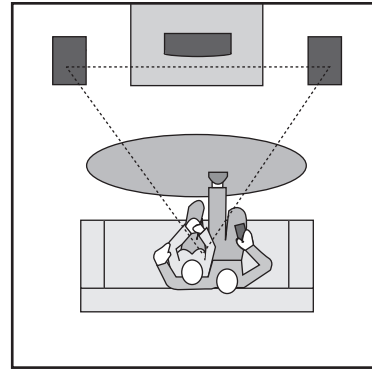
Basic hookup diagram.
 Schéma de branchement de base.
 Diagrama de conexiones básicas.
 Verkabelungsplan.
 Diagramma collegamento di base.
 Diagrama básico de fixação.



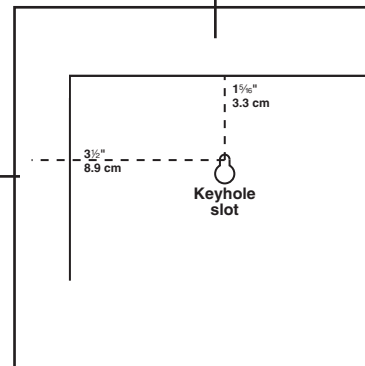
CS1
 CS2

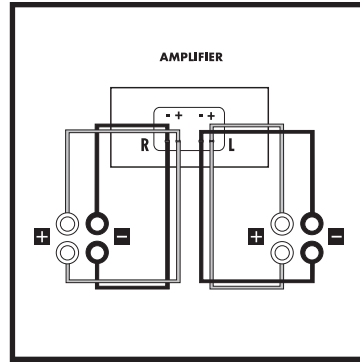
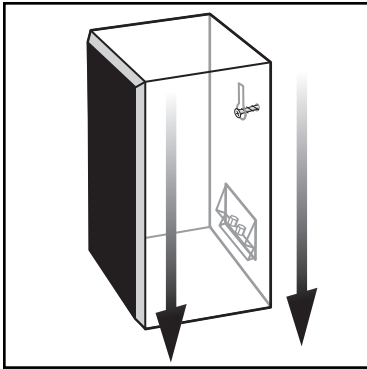
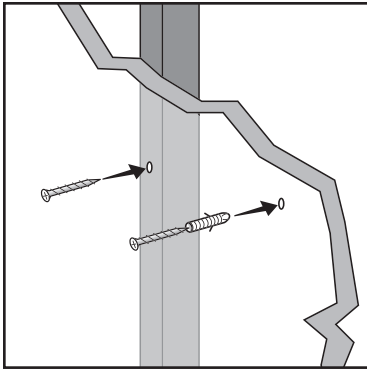


Left side of speaker
 Côté gauche du haut-parleur
 Lado izquierdo del altavoz
 Linke Seite des Lautsprecher
 Lato sinistro dell'altoparlante
 Lado esquerdo do altifalante



Top of speaker
 Dessus du haut-parleur
 Parte de arriba del altavoz
 Oberseite des Lautsprecher
 Lato superiore dell'altoparlante
 Parte de cima do altifalante





Monitor 30
Monitor 40
Monitor 50
Monitor 60
Monitor 70

Bi-wiring
Bi-câblage
Cableado doble
Bi-Wiring
Biwiring
Cablagem dupla

Dolby Digital Speaker Set-Up Settings
Paramètres de configuration Dolby Digital des haut-parleurs
Valores de configuración del altavoz digital Dolby
Dolby-Digital-Einstellungen für Lautsprecher
Opzioni impostazioni speaker Dolby Digital
Dolby Digital Speaker Set-Up Settings

	Monitor 30	Monitor 40	Monitor 50	Monitor 60	Monitor 70	CS1	CS2
Model	Small	Small	Small	Large	Large	Small	Small
Modèle	Petit	Petit	Petit	Grand	Grand	Petit	Petit
Modelo	Pequeño	Pequeño	Pequeño	Grande	Grande	Pequeño	Pequeño
Modell	Klein	Klein	Klein	Groß	Groß	Klein	Klein
Modello	Piccolo	Piccolo	Piccolo	Grande	Grande	Piccolo	Piccolo
Model	Pequeno	Pequeno	Pequeno	Grande	Grande	Pequeno	Pequeno

SPECIFICATIONS

Model	Monitor 30	Monitor 40	Monitor 50	Monitor 60	Monitor 70	CS1	CS2
Tweeter Complement	(1) 1" (25mm) cloth dome	(1) 1" (25mm) cloth dome	(1) 1" (25mm) cloth dome	(1) 1" (25mm) cloth dome	(1) 1" (25mm) cloth dome	(1) 1" (25mm) cloth dome	(1) 1" (25mm) cloth dome
Driver Complement	(1) 5¼" (133mm) bilaminate driver	2) 5¼" (133mm) bilaminate driver	(2) 5¼" (133mm) bilaminate driver	(3) 5¼" (133mm) bilaminate driver	(4) 6½" (165mm) bilaminate driver	(2) 5¼" (133mm) bilaminate driver	(2) 6½" (165mm) bilaminate driver
Nominal Impedance	compatible with 8Ω outputs	compatible with 8Ω outputs	compatible with 8Ω outputs	compatible with 8Ω outputs	compatible with 8Ω outputs	compatible with 8Ω outputs	compatible with 8Ω outputs
Magnetic Shielding	Yes Si Oui Ja	Yes Si Oui Ja	Yes Si Oui Ja	Yes Si Oui Ja	Yes Si Oui Ja	Yes Si Oui Ja	Yes Si Oui Ja
Available Finish	Black Oak & Cherry woodgrain	Black Oak & Cherry woodgrain	Black Oak & Cherry woodgrain	Black Oak & Cherry woodgrain	Black Oak & Cherry woodgrain	Black Oak & Cherry woodgrain	Black Oak & Cherry woodgrain
Dimensions (HxWxD)	11x7x10	15-3/4x7x13	35x7x10-5/8	37-1/2x7x14	42x7-3/4x15-5/8	7x18x9-5/8	7-3/4x21-1/4 x11-1/8
Product Weight--Pounds each	9.0	16.0	26.0	31.0	47.0	13.0	17.0
Product Weight--Kilograms	4.1	7.2	11.7	14.0	21.2	5.9	7.7

For more complete specifications visit <http://www.polkaudio.com/home/>

Modèle	Monitor 30	Monitor 40	Monitor 50	Monitor 60	Monitor 70	CS1	CS2
Complément haut-parleur d'aigus	(1) cône toile 25 mm	(1) cône toile 25 mm	(1) cône toile 25 mm	(1) cône toile 25 mm	(1) cône toile 25 mm	(1) cône toile 25 mm	(1) cône toile 25 mm
Complément haut-parleur	(1) haut-parleur bilaminé 133mm	(2) haut-parleurs bilaminés 133mm	(2) haut-parleurs bilaminés 133mm	(3) haut-parleurs bilaminés 133mm	(4) haut-parleurs bilaminés 165mm	(2) haut-parleurs bilaminés 133mm	(2) haut-parleurs bilaminés 165mm
Impédance nominale	compatible avec sorties 8 ohms	compatible avec sorties 8 ohms	compatible avec sorties 8 ohms	compatible avec sorties 8 ohms	compatible avec sorties 8 ohms	compatible avec sorties 8 ohms	compatible avec sorties 8 ohms
Blindage magnétique	Oui	Oui	Oui	Oui	Oui	Oui	Oui
Fini disponible	Imitation chêne noir et cerisier	Imitation chêne noir et cerisier	Imitation chêne noir et cerisier	Imitation chêne noir et cerisier	Imitation chêne noir et cerisier	Imitation chêne noir et cerisier	Imitation chêne noir et cerisier
Dimensions (HxLxP)	11x7x10	15-3/4x7x13	35x7x10-5/8	37-1/2x7x14	42x7-3/4x15-5/8	7x18x9-5/8	7-3/4x21-1/4 x11-1/8
Poids unitaire du produit en livres	9.0	16.0	26.0	31.0	47.0	13.0	17.0
Poids unitaire du produit en kilogrammes	4.1	7.2	11.7	14.0	21.2	5.9	7.7

Modelo	Monitor 30	Monitor 40	Monitor 50	Monitor 60	Monitor 70	CS1	CS2
Dotación del tweeter	(1) domo de tela de 1 plg. (25mm)	(1) domo de tela de 1 plg. (25mm)	(1) domo de tela de 1 plg. (25mm)	(1) domo de tela de 1 plg. (25mm)	(1) domo de tela de 1 plg. (25mm)	(1) domo de tela de 1 plg. (25mm)	(1) domo de tela de 1 plg. (25mm)
Dotación del excitador	(1) excitador de lámina doble de 5-1/4 plg.(133mm)	(2) excitadores de lámina doble de 5-1/4 plg.(133mm)	(2) excitadores de lámina doble de 5-1/4 plg.(133mm)	(3) excitadores de lámina doble de 5-1/4 plg.(133mm)	(4) excitadores de lámina doble de 6-1/2 plg.(165mm)	(2) excitadores de lámina doble de 5-1/4 plg.(133mm)	(2) excitadores de lámina doble de 6-1/2 plg.(165mm)
Impedancia nominal	compatible con salidas de 8 ohmios	compatible con salidas de 8 ohmios	compatible con salidas de 8 ohmios	compatible con salidas de 8 ohmios	compatible con salidas de 8 ohmios	compatible con salidas de 8 ohmios	compatible con salidas de 8 ohmios
Blindaje magnético	Sí	Sí	Sí	Sí	Sí	Sí	Sí
Acabados disponibles	Apariencia de madera de roble negro y cerezo	Apariencia de madera de roble negro y cerezo	Apariencia de madera de roble negro y cerezo	Apariencia de madera de roble negro y cerezo	Apariencia de madera de roble negro y cerezo	Apariencia de madera de roble negro y cerezo	Apariencia de madera de roble negro y cerezo
Dimensiones (Alt x Anch x Prof.)	11x7x10	15-3/4x7x13	35x7x10-5/8	37-1/2x7x14	42x7-3/4x15-5/8	7x18x9-5/8	7-3/4x21-1/4 x11-1/8
Peso del producto -- libras c/u	9.0	16.0	26.0	31.0	47.0	13.0	17.0
Peso del producto -- Kilogramos	4.1	7.2	11.7	14.0	21.2	5.9	7.7

Modell:	Monitor 30	Monitor 40	Monitor 50	Monitor 60	Monitor 70	CS1	CS2
Hochtöner-Komplement	(1) 1-Zoll (25mm) Stoffkalotte	(1) 1-Zoll (25mm) Stoffkalotte	(1) 1-Zoll (25mm) Stoffkalotte	(1) 1-Zoll (25mm) Stoffkalotte	(1) 1-Zoll (25mm) Stoffkalotte	(1) 1-Zoll (25mm) Stoffkalotte	(1) 1-Zoll (25mm) Stoffkalotte
Treiber-Komplement	(1) 5-1/4-Zoll (133 mm) Bi-Laminat-Treiber	(2) 5-1/4-Zoll (133 mm) Bi-Laminat-Treiber	(2) 5-1/4-Zoll (133 mm) Bi-Laminat-Treiber	(3) 5-1/4-Zoll (133 mm) Bi-Laminat-Treiber	(4) 6-1/2-Zoll (165 mm) Bi-Laminat-Treiber	(2) 5-1/4-Zoll (133 mm) Bi-Laminat-Treiber	(2) 6-1/2-Zoll (165 mm) Bi-Laminat-Treiber
Nennimpedanz	Mit 8-Ohm-Ausgängen kompatibel	Mit 8-Ohm-Ausgängen kompatibel	Mit 8-Ohm-Ausgängen kompatibel	Mit 8-Ohm-Ausgängen kompatibel	Mit 8-Ohm-Ausgängen kompatibel	Mit 8-Ohm-Ausgängen kompatibel	Mit 8-Ohm-Ausgängen kompatibel
Magnetische Abschirmung	Ja	Ja	Ja	Ja	Ja	Ja	Ja
Verfügbare Oberflächen	Eiche schwarz und Kirsche(Folie)	Eiche schwarz und Kirsche(Folie)	Eiche schwarz und Kirsche(Folie)	Eiche schwarz und Kirsche(Folie)	Eiche schwarz und Kirsche(Folie)	Eiche schwarz und Kirsche(Folie)	Eiche schwarz und Kirsche(Folie)
Abmessungen (HxBxT)	11x7x10	15-3/4x7x13	35x7x10-5/8	37-1/2x7x14	42x7-3/4x15-5/8	7x18x9-5/8	7-3/4x21-1/4 x11-1/8
Produktgewicht (in US-Pfd)	9.0	16.0	26.0	31.0	47.0	13.0	17.0
Produktgewicht (in kg)	4.1	7.2	11.7	14.0	21.2	5.9	7.7

Modello	Monitor 30	Monitor 40	Monitor 50	Monitor 60	Monitor 70	CS1	CS2
Complemento tweeter	(1) cono in stoffa da 25 mm (1")	(1) cono in stoffa da 25 mm (1")	(1) cono in stoffa da 25 mm (1")	(1) cono in stoffa da 25 mm (1")	(1) cono in stoffa da 25 mm (1")	(1) cono in stoffa da 25 mm (1")	(1) cono in stoffa da 25 mm (1")
Complemento driver	(1) driver a due strati da 133mm (5-1/4")	(2) driver a due strati da 133mm (5-1/4")	(2) driver a due strati da 133mm (5-1/4")	(3) driver a due strati da 133mm (5-1/4")	(4) driver a due strati da 165mm (6-1/2")	(2) driver a due strati da 133mm (5-1/4")	(2) driver a due strati da 165mm (6-1/2")
Impedenza nominale	compatibile con uscite a 8 Ohm	compatibile con uscite a 8 Ohm	compatibile con uscite a 8 Ohm	compatibile con uscite a 8 Ohm	compatibile con uscite a 8 Ohm	compatibile con uscite a 8 Ohm	compatibile con uscite a 8 Ohm
Schermatura magnetica	Si	Si	Si	Si	Si	Si	Si
Finitura disponibile	Legno di quercia nera o ciliegio	Legno di quercia nera o ciliegio	Legno di quercia nera o ciliegio	Legno di quercia nera o ciliegio	Legno di quercia nera o ciliegio	Legno di quercia nera o ciliegio	Legno di quercia nera o ciliegio
Dimensioni (AxLxP)	11x7x10	15-3/4x7x13	35x7x10-5/8	37-1/2x7x14	42x7-3/4x15-5/8	7x18x9-5/8	7-3/4x21-1/4 x11-1/8
Peso prodotto– Libbre	9.0	16.0	26.0	31.0	47.0	13.0	17.0
Peso prodotto– Kilogrammi	4.1	7.2	11.7	14.0	21.2	5.9	7.7

Modelo	Monitor 30	Monitor 40	Monitor 50	Monitor 60	Monitor 70	CS1	CS2
Complemento do tweeter	(1) Cone em pano de 1" (25mm)	(1) Cone em pano de 1" (25mm)	(1) Cone em pano de 1" (25mm)	(1) Cone em pano de 1" (25mm)	(1) Cone em pano de 1" (25mm)	(1) Cone em pano de 1" (25mm)	(1) Cone em pano de 1" (25mm)
Complemento do driver	(1) Driver bilaminado de 5-1/4"(133mm)	(2) Drivers bilaminados de 5-1/4"(133mm)	(2) Drivers bilaminados de 5-1/4"(133mm)	(3) Drivers bilaminados de 5-1/4"(133mm)	(4) Drivers bilaminados de 6-1/2"(165mm)	(2) Drivers bilaminados de 5-1/4"(133mm)	(2) Drivers bilaminados de 6-1/2"(165mm)
Impedância nominal	compatível com saídas de 8 Ohm	compatível com saídas de 8 Ohm	compatível com saídas de 8 Ohm	compatível com saídas de 8 Ohm	compatível com saídas de 8 Ohm	compatível com saídas de 8 Ohm	compatível com saídas de 8 Ohm
Blindagem magnética	Sim	Sim	Sim	Sim	Sim	Sim	Sim
Acabamento disponível	Madeira de carvalho preto e cerejeira	Madeira de carvalho preto e cerejeira	Madeira de carvalho preto e cerejeira	Madeira de carvalho preto e cerejeira	Madeira de carvalho preto e cerejeira	Madeira de carvalho preto e cerejeira	Madeira de carvalho preto e cerejeira
Dimensões (AxLxP)	11x7x10	15-3/4x7x13	35x7x10-5/8	37-1/2x7x14	42x7-3/4x15-5/8	7x18x9-5/8	7-3/4x21-1/4 x11-1/8
Peso do produto– Libras, cada	9.0	16.0	26.0	31.0	47.0	13.0	17.0
Peso do produto– Quilogramas	4.1	7.2	11.7	14.0	21.2	5.9	7.7

POLK AUDIO LIMITED Warranty:

Polk Audio, Inc., warrants to the original retail purchaser only. This warranty will terminate automatically prior to its stated expiration if the original retail purchaser sells or transfers the Product to any other party.

Polk Audio, Inc., warrants, to the original retail purchaser only, that the LOUDSPEAKER(S), PASSIVE CROSSOVER COMPONENT(S) and ENCLOSURE on this Polk Audio Loudspeaker Product will be free from defects in material and workmanship for a period of XXX (XXX) years from the date of original retail purchase from a Polk Audio Authorized Dealer.

Furthermore, Polk Audio, Inc., warrants, to the original retail purchaser only, that any AMPLIFIER OR OTHER ELECTRONIC COMPONENT that may be included in this Polk Audio Loudspeaker Product will be free from defects in material and workmanship for a period of XXX (XXX) years from the date of original retail purchase from a Polk Audio Authorized Dealer.

To allow Polk Audio to offer the best possible warranty service, please register your new product online at: www.polkaudio.com/registration or call Polk customer service 800-377-7655 in the USA and Canada (outside the USA: 410-358-3600) within ten (10) days of the date of original purchase. Be sure to keep your original purchase receipt.

Defective Products must be shipped, together with proof of purchase, prepaid insured to the Polk Audio Authorized Dealer from whom you purchased the Product, or to the Factory at 2550 Britannia Boulevard, Suite A, San Diego, California 92154. Products must be shipped in the original shipping container or its equivalent; in any case the risk of loss or damage in transit is to be borne by you. If upon examination at the Factory or Polk Audio Authorized Dealer it is determined that the unit was defective in materials or workmanship at any time during this Warranty period, Polk Audio or the Polk Audio Authorized Dealer will, at its option, repair or replace this Product at no additional charge, except as set forth below. All replaced parts and Products become the property of Polk Audio. Products replaced or repaired under this warranty will be returned to you, within a reasonable time, freight prepaid.

This warranty does not include service or parts to repair damage caused by accident, disaster, misuse, abuse, negligence, inadequate packing or shipping procedures, commercial use, voltage inputs in excess of the rated maximum of the unit, cosmetic appearance of cabinetry not directly attributable to defect in materials or workmanship, or service, repair, or modification of the Product which has not been authorized or approved by Polk Audio. This warranty shall terminate if the Serial number on the Product has been removed, tampered with or defaced.

This warranty is in lieu of all other expressed Warranties. If this Product is defective in materials or workmanship as warranted above, your sole remedy shall be repair or replacement as provided above. In no event will Polk Audio, Inc. be liable to you for any incidental or consequential damages arising out of the use or inability to use the Product, even if Polk Audio, Inc. or a Polk Audio Authorized Dealer has been advised of the possibility of such damages, or for any claim by any other party. Some states do not allow the exclusion or limitation of consequential damages, so the above limitation and exclusion may not apply to you.

All implied warranties on this Product are limited to the duration of this expressed Warranty. Some states do not allow limitation on how long an implied Warranty lasts, so the above limitations may not apply to you. This Warranty gives you specific legal rights, and you also may have other rights which vary from state to state.

This Warranty applies only to Products purchased in Canada, the United States of America, its possessions, and U.S. and NATO armed forces exchanges and audio clubs.

The Warranty terms and conditions applicable to Products purchased in other countries are available from the Polk Audio Authorized Distributors in such countries.

Polk Audio has been crafting affordable high performance loudspeakers since 1972. They are one of the world's foremost manufacturers of quality home & car. Polk Audio's dedication to research & development has resulted in over 55 worldwide patents for innovative loudspeaker technology, and Polk speakers consistently thrill our growing family of satisfied listeners, as well as the worldwide audio press.

Get free information about building the audio system of your dreams, or free information on tweaking your current system for higher performance, at www.polkaudio.com. Or, call our friendly customer service department toll free 1-800-377-7655 (in the US & Can only, outside the US call 410-358-3600), 9am-6pm EST. Ask for our Home Theater Handbook, or a copy of our annual newspaper, "The Speaker Specialist." They're both free, and chock full of audio information.



polkaudio
the speaker specialists®

Polk Audio
5601 Metro Drive
Baltimore, Maryland 21215
(800) 377-7655

Free Manuals Download Website

<http://myh66.com>

<http://usermanuals.us>

<http://www.somanuals.com>

<http://www.4manuals.cc>

<http://www.manual-lib.com>

<http://www.404manual.com>

<http://www.luxmanual.com>

<http://aubethermostatmanual.com>

Golf course search by state

<http://golfingnear.com>

Email search by domain

<http://emailbydomain.com>

Auto manuals search

<http://auto.somanuals.com>

TV manuals search

<http://tv.somanuals.com>