



AMR100 Digital High Performance Computer Speaker System



Positioning Your Speakers for Best Performance

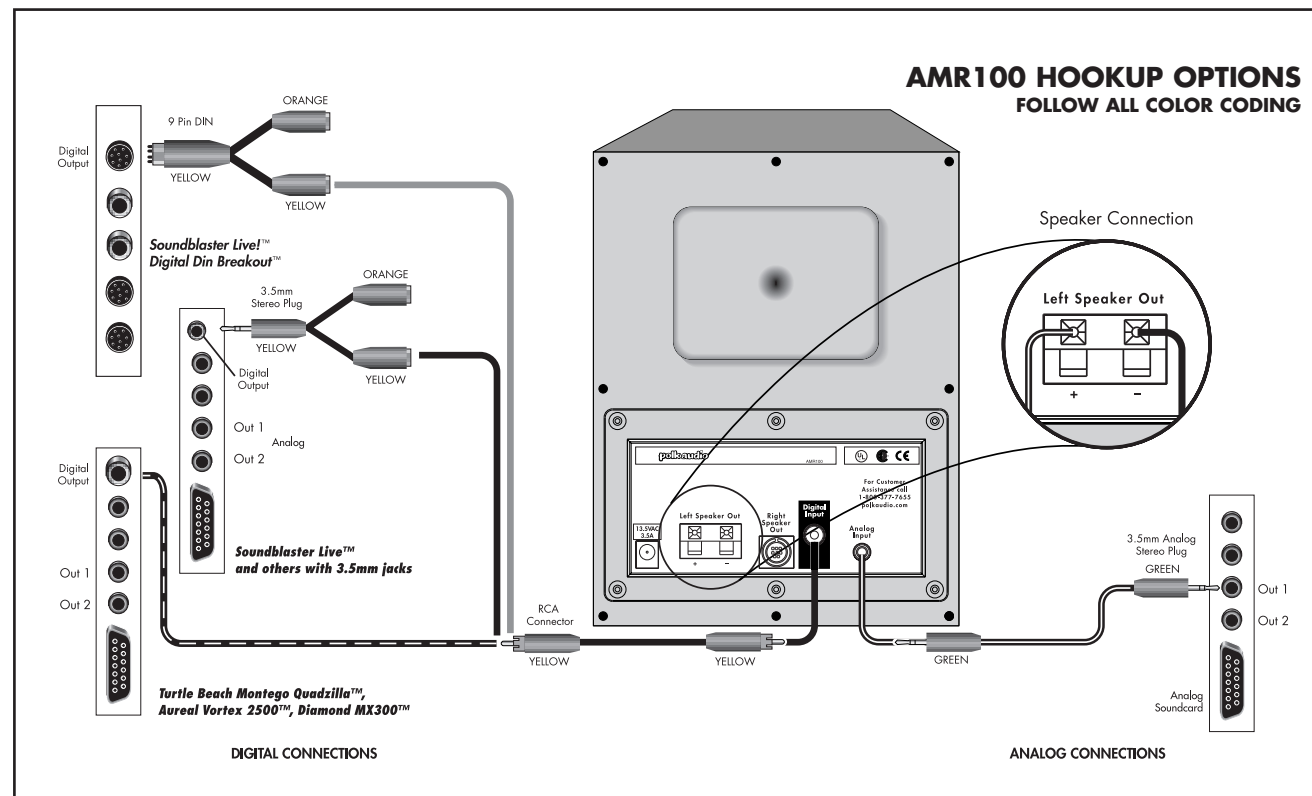
Placing the Subwoofer close to a wall or in a corner reinforces Subwoofer response.

AMR100: For best sound, place one Satellite speaker on each side of your computer monitor.

Adjusting and Setting Volume

Amplification for the AMR is in the Subwoofer. Select the setting at which there is the perfect amount of bass response for your taste:

- Turn the system ON using the Master Power switch on the Subwoofer.
- Turn the on/off, volume knob to ON on the right Satellite speaker.
- Using a music CD, set the subwoofer volume with the Subwoofer Volume knob.



Polk Audio Limited Warranty

Polk Audio, Inc. warrants to the original purchaser only that this Polk Audio Loudspeaker Product (the "Product") will be free from defects in materials and workmanship for a period of one (1) year from the date of original retail purchase from a Polk Audio Authorized Dealer. However, this Warranty will automatically terminate prior to the expiration of the one (1) year if the original retail purchaser sells or otherwise transfers the Product to any other party. The original retail purchaser shall hereinafter be referred to as "you." To allow Polk Audio to offer the best possible warranty service, please fill out the Product Registration Card(s) and send it to the Factory, at the address provided on the Product Card(s) within ten (10) days of the date of purchase.

Defective Products must be shipped, together with proof of purchase, prepaid insured to the Polk Audio Authorized Dealer from whom you purchased the Product, or to the Factory at 2550 Britannia Boulevard, Suite D, San Diego, California 92173. Products must be shipped in the original shipping container or its equivalent; in any case the risk of loss or damage in transit is to be borne by you.

If upon examination at the Factory or Polk Audio Authorized Dealer it is determined that the unit was defective in materials or workmanship at any time during this Warranty period, Polk Audio or the Polk Audio Authorized Dealer will, at its option, repair or replace this Product at no additional charge, except as set forth below. All replaced parts and Products become the property of Polk Audio. Products replaced or repaired under this warranty will be returned to you, within a reasonable time, freight prepaid.

This warranty does not include service or parts to repair damage caused by accident, disaster, misuse, abuse, negligence, inadequate packing or shipping procedures, commercial use, voltage inputs in excess of the rated maximum of the unit, cosmetic appearance of cabinetry not directly attributable to

Adjusting and Setting Volume (continued)

- Once this position is set, you can then use the Volume Control located on the right Satellite to adjust system volume and turn the system on and off.

Troubleshooting

Weak sound, no sound, bad sound?

- Is the Green LED light (located on the right Satellite speaker) ON? Make sure the speakers are connected to the AC adapter and the power button is pressed ON.
- Is there output from the soundcard? Connect the speakers to an alternate audio source, such as the headphone jack of a CD player or radio. If the speakers produce sound, the problem is probably with your soundcard. Recheck your soundcard installation and setup procedure. Consult the sound card's manual.
- Check the "mute" and "volume" controls on your soundcard or media player software and keyboard.
- Are the speakers connected properly? Make sure the plugs are securely connected in the proper location according to their colorcoding and the diagram on the front of this manual. Make sure the left speaker wire with the white stripe is connected to the (+) speaker terminal on the subwoofer.

Safety Warning: Electrical equipment may be hazardous if misused. An adult must always supervise operation of this product. Use only the AC adapter specifically designed for your AMR System. Polk Audio, Inc cannot be responsible for damage caused by other AC adapters. Protect speakers from dampness and liquids. Do not access the interior of any electrical product, and do not permit children to handle any cables.

| | |
|--|--------------|
| Frequency response | 38 Hz-22 kHz |
| Input sensitivity for maximum output (volts) | |
| S/N ratio | >90dB |
| Max SPL @ 0.5 m | |

Have questions? Call the friendly Customer Service Representatives at Polk Audio, the Speaker Specialists: 1-800-377-7655. To speak to someone, call between 9am and 6pm EST. After hours, leave us a message, and we'll (really) call you back. Or, email us at polkcs@polkaudio.com. Log on to www.polkaudio.com to register your new speakers, join Club Polk, get on the mailing list for the Polk Audio quarterly newspaper, and pick up some nifty Polk logowear and stuff. Let us know what you think about these speakers!

defect in materials or workmanship, or service, repair, or modification of the Product which has not been authorized or approved by Polk Audio. This warranty shall terminate if the Serial number on the Product has been removed, tampered with or defaced.

This warranty is in lieu of all other expressed Warranties. If this Product is defective in materials or workmanship as warranted above, your sole remedy shall be repair or replacement as provided above. In no event will Polk Audio, Inc. be liable to you for any incidental or consequential damages arising out of the use or inability to use the Product, even if Polk Audio, Inc. or a Polk Audio Authorized Dealer has been advised of the possibility of such damages, or for any claim by any other party. Some states do not allow the exclusion or limitation of consequential damages, so the above limitation and exclusion may not apply to you.

All implied warranties on this Product are limited to the duration of this expressed Warranty. Some states do not allow limitation on how long an implied Warranty lasts, so the above limitations may not apply to you. This Warranty gives you specific legal rights, and you also may have other rights which vary from state to state.

This Warranty applies only to Products purchased in the United States of America, its possessions, and U.S. and NATO armed forces exchanges and audio clubs. The Warranty terms and conditions applicable to Products purchased in other countries are available from the Polk Audio Authorized Distributors in such countries.



Polk Audio, Inc.
5601 Metro Dr
Baltimore, MD 21215

1-800-357-7655
www.polkaudio.com

Free Manuals Download Website

<http://myh66.com>

<http://usermanuals.us>

<http://www.somanuals.com>

<http://www.4manuals.cc>

<http://www.manual-lib.com>

<http://www.404manual.com>

<http://www.luxmanual.com>

<http://aubethermostatmanual.com>

Golf course search by state

<http://golfingnear.com>

Email search by domain

<http://emailbydomain.com>

Auto manuals search

<http://auto.somanuals.com>

TV manuals search

<http://tv.somanuals.com>