

# Cutsheet for LC*i*c

## High Performance In-Wall Center Channel

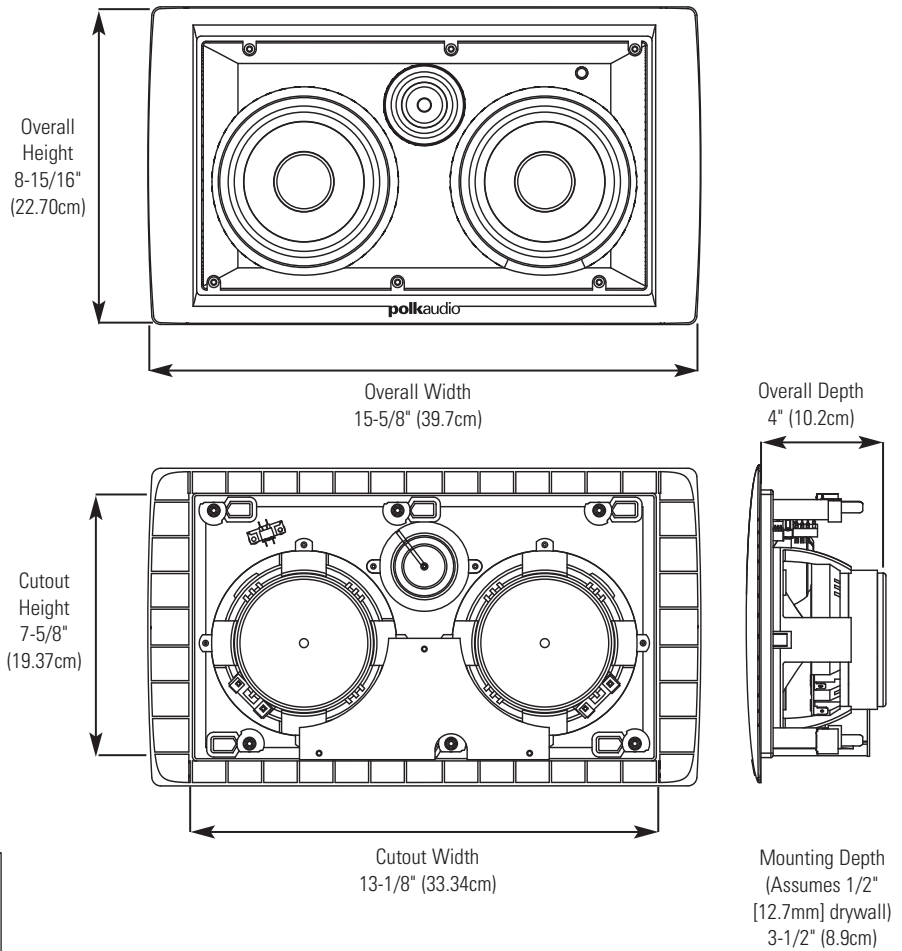
Polk continues its tradition of creating audiophile sound from speakers you can barely see with the new LC*i*c center channel loudspeaker. As with all the loudspeakers in the LC*i* series, the LC*i*c is built to the same performance standards that are creating a new benchmark in affordable high-performance home theater systems.

### Hardware (included)

- One LC*i*c Speaker
- Speaker Mounting Template
- Paint Mask
- One Grille (perforated)
- Logo Badge
- LC*i*c Manual
- Registration Card

### Important Note:

If anything is missing or damaged, or if your LC*i*c speaker fails to operate, notify Polk Audio Installer Support Services immediately at 800-377-7655. Hours: Mon.-Fri., 9am-5:30pm EST.



### LC*i*c Dimensions

Overall Height	8-15/16" (22.70cm)
Overall Width	15-5/8" (39.7cm)
Cutout Height	7-5/8" (19.5cm)
Cutout Width	13-1/8" (33.34cm)
Overall Depth	4" (10.2cm)
Mounting Depth	3-1/2" (8.9cm) with 1/2" of drywall

Available Finish: Paintable White

**SPECIFICATIONS**

**LC*i*c**

Product Weight: 8.5 lbs. (3.86kg)

**PERFORMANCE**

POWER HANDLING (WATTS/CHANNEL)	10-150W CONTINUOUS
IMPEDANCE (NOMINAL)	4 OHMS
FREQUENCY RESPONSE (OVERALL)	30HZ-27KHZ
EFFICIENCY (2.83V@1M)	91dB
SPEAKER WEIGHT	8.5 LBS (3.86KG)

**DRIVER COMPLEMENT**

MIDBASS	2-5 1/4" (13.34CM) AERATED POLYPROPYLENE DYNAMIC BALANCE™ DRIVERS
TWEETER	1-1" (2.54CM) AIMABLE RING RADIATOR TWEETER

**CONNECTIONS**

SPEAKER WIRE	
MAXIMUM WIRE SIZE ACCOMMODATED	12 AWG
MINIMUM RECOMMENDED	18 AWG
INPUT CONNECTORS	HEAVY-DUTY SPRING LOADED PUSH TERMINALS

**Web Address:**

For more information on the LC*i*c, log onto  
[www.polkaudio.com/downloads/manuals/home/LCic\\_manual.pdf](http://www.polkaudio.com/downloads/manuals/home/LCic_manual.pdf)

**WIRE RECOMMENDATIONS**

Runs	Gauge
Lengths up to 25'	18 or 16
Lengths greater than 25' but less than 50'	16 or 14
Lengths greater than 50' but less than 75'	14 or 12
Lengths greater than 75'	12

**Important Note:** LC*i*-Series In-wall Loudspeakers are not magnetically shielded and should not be placed closer than 1' (30cm) from a CRT (picture tube) television or video monitor.

**PLACEMENT**

Install the LC*i*c as close as possible to ear level. If the speaker needs to be installed higher, aim the tweeter up or down as required.

**ROOM ENVIRONMENT CONTROL**

**Tweeter Switch**

If your listening room is very reflective, with smooth sheetrock walls, hardwood floors, and non-cushioned furniture, the sound will be overly "bright" and unnatural. Selecting the "cut" setting compensates for the effect of reflectivity in a hard room. Tweeter attenuation flattens room response, without hindering higher frequency response, for warmer, more realistic sound and more accurate imaging.

**If you have questions, please contact your Authorized Polk Audio Dealer or Customer Service at 1-800-377-7655 Monday through Friday 9am-6pm EST.**

## Free Manuals Download Website

<http://myh66.com>

<http://usermanuals.us>

<http://www.somanuals.com>

<http://www.4manuals.cc>

<http://www.manual-lib.com>

<http://www.404manual.com>

<http://www.luxmanual.com>

<http://aubethermostatmanual.com>

Golf course search by state

<http://golfingnear.com>

Email search by domain

<http://emailbydomain.com>

Auto manuals search

<http://auto.somanuals.com>

TV manuals search

<http://tv.somanuals.com>