

Instruction manual

ESPAÑOL: PÁGINA 27
FRANÇAIS: PAGE 53

Oil Lube Two Stage Air Compressor

**MODEL
C7550**



IMPORTANT

Please make certain that the person who is to use this equipment carefully reads and understands these instructions before starting operations.

To learn more about Porter-Cable visit our website at:

<http://www.porter-cable.com>

PORTER-CABLE

The Model and Serial No. plate is located on the frame. Record these numbers in the spaces below and retain for future reference.

Model No. _____

Type _____

Serial No. _____

SAFETY GUIDELINES - DEFINITIONS

This manual contains information that is important for you to know and understand. This information relates to protecting **YOUR SAFETY** and **PREVENTING EQUIPMENT PROBLEMS**. To help you recognize this information, we use the symbols below. Please read the manual and pay attention to these symbols.

| | |
|---|--|
| <p>⚠ DANGER Indicates an imminently hazardous situation which, if not avoided, will result in death or serious injury.</p> | <p>⚠ CAUTION Indicates a potentially hazardous situation which, if not avoided, may result in minor or moderate injury.</p> |
| <p>⚠ WARNING Indicates a potentially hazardous situation which, if not avoided, could result in death or serious injury.</p> | <p>CAUTION Used without the safety alert symbol indicates a potentially hazardous situation which, if not avoided, may result in property damage.</p> |

IMPORTANT SAFETY INSTRUCTIONS

⚠ WARNING Some dust created by power sanding, sawing, grinding, drilling, and other construction activities contains chemicals known (to the State of California) to cause cancer, birth defects or other reproductive harm. Some example of these chemicals are:

- lead from lead-based paints
- crystalline silica from bricks and cement and other masonry products
- arsenic and chromium from chemically-treated lumber

Your risk from these exposures varies, depending on how often you do this type of work. To reduce your exposure to these chemicals: work in a well ventilated area, and work with approved safety equipment, always wear **MSHA/NIOSH** approved, properly fitting face mask or respirator when using such tools.

When using air tools, basic safety precautions should always be followed to reduce the risk of of personal injury.

IMPORTANT SAFETY INSTRUCTIONS



Save these instructions



Improper operation or maintenance of this product could result in serious injury and property damage. Read and understand all warnings and operation instructions before using this equipment.

HAZARD

WARNING: Risk of explosion or fire



| What Could Happen | How To Prevent It |
|--|--|
| <p>It is normal for electrical contacts within the motor and pressure switch to spark.</p> | <p>Always operate the compressor in a well ventilated area free of combustible materials, gasoline, or solvent vapors.</p> |
| <p>If electrical sparks from compressor come into contact with flammable vapors, they may ignite, causing fire or explosion.</p> | <p>If spraying flammable materials, locate compressor at least 20 feet away from spray area. An additional length of hose may be required. Store flammable materials in a secure location away from compressor.</p> |
| <p>Restricting any of the compressor ventilation openings will cause serious overheating and could cause fire.</p> | <p>Never place objects against or on top of compressor. Operate compressor in an open area at least 12 inches away from any wall or obstruction that would restrict the flow of fresh air to the ventilation openings. Operate compressor in a clean, dry well ventilated area. Do not operate unit indoors or in any confined area.</p> |
| <p>Unattended operation of this product could result in personal injury or property damage. To reduce the risk of fire, do not allow the compressor to operate unattended.</p> | <p>Always remain in attendance with the product when it is operating. Always disconnect electrical power by moving pressure switch lever to the off position and drain tank daily or after each use.</p> |

HAZARD

WARNING: Risk of Bursting



Air Tank: The following conditions could lead to a weakening of the tank, and result in a violent tank explosion and could cause property damage or serious injury.

| What Could Happen | How To Prevent It |
|--|---|
| Failure to properly drain condensed water from tank, causing rust and thinning of the steel tank. | Drain tank daily or after each use. If tank develops a leak, replace it immediately with a new tank or replace the entire compressor. |
| Modifications or attempted repairs to the tank. Unauthorized modifications to the unloader valve, safety valve, or any other components which control tank pressure. | Never drill into, weld, or make any modifications to the tank or its attachments. |
| Excessive vibration can weaken the air tank and cause rupture or explosion | The tank is designed to withstand specific operating pressures. Never make adjustments or parts substitutions to alter the factory set operating pressures. |
| ATTACHMENTS & ACCESSORIES: Exceeding the pressure rating of air tools, spray guns, air operated accessories, tires, and other inflatables can cause them to explode or fly apart, and could result in serious injury. | For essential control of air pressure, you must install a pressure regulator and pressure gauge to the air outlet (if not equipped) of your compressor. Follow the equipment manufacturers recommendation and never exceed the maximum allowable pressure rating of attachments. Never use compressor to inflate small low pressure objects such as children's toys, footballs, basketballs, etc. |

HAZARD

WARNING: Risk from Flying Objects



| What Could Happen | How To Prevent It |
|--|--|
| The compressed air stream can cause soft tissue damage to exposed skin and can propel dirt, chips, loose particles , and small objects at high speed , resulting in property damage or personal injury. | Always wear ANSI Z87.1 approved safety glasses with side shields when using the compressor. Never point any nozzle or sprayer toward any part of the body or at other people or animals. Always turn the compressor off and bleed pressure from the air hose and tank before attempting maintenance, attaching tools or accessories. |

HAZARD

WARNING: Risk of Electrical Shock



| What Could Happen | How To Prevent It |
|--|--|
| Your air compressor is powered by electricity . Like any other electrically powered device, if it is not used properly it may cause electric shock . | Never operate the compressor outdoors when it is raining or in wet conditions . Never operate compressor with protective covers removed or damaged . |
| Repairs attempted by unqualified personnel can result in serious injury or death by electrocution . | Any electrical wiring or repairs required on this product should be performed by authorized service center personnel in accordance with national and local electrical codes. |
| Electrical Grounding: Failure to provide adequate grounding to this product could result in serious injury or death from electrocution . See grounding instructions. | Make certain that the electrical circuit to which the compressor is connected provides proper electrical grounding, correct voltage and adequate fuse protection . |

HAZARD

WARNING: Risk to Breathing



| What Could Happen | How To Prevent It |
|---|---|
| The compressed air directly from your compressor is not safe for breathing . The air stream may contain carbon monoxide, toxic vapors, or solid particles from the tank. Breathing these contaminants can cause serious injury or death . | Air obtained directly from the compressor should never be used to supply air for human consumption . In order to use air produced by this compressor for breathing, suitable filters and in-line safety equipment must be properly installed . In-line filters and safety equipment used in conjunction with the compressor must be capable of treating air to all applicable local and federal codes prior to human consumption . |
| Sprayed materials such as paint, paint solvents, paint remover, insecticides, weed killers, may contain harmful vapors and poisons . | Work in an area with good cross ventilation . Read and follow the safety instructions provided on the label or safety data sheets for the materials you are spraying . Use a NIOSH/ MSHA approved respirator designed for use with your specific application. |

HAZARD

WARNING: Risk of Burns



| What Could Happen | How To Prevent It |
|--|---|
| Touching exposed metal such as the compressor head or outlet tubes, can result in serious burns. | Never touch any exposed metal parts on compressor during or immediately after operation. Compressor will remain hot for several minutes after operation. Do not reach around protective shrouds or attempt maintenance until unit has been allowed to cool. |

HAZARD

WARNING: Risk from Moving Parts



| What Could Happen | How To Prevent It |
|--|--|
| Moving parts such as the pulley, flywheel, and belt can cause serious injury if they come into contact with you or your clothing. | Never operate the compressor with guards or covers which are damaged or removed. |
| Attempting to operate compressor with damaged or missing parts or attempting to repair compressor with protective shrouds removed can expose you to moving parts and can result in serious injury. | Any repairs required on this product should be performed by authorized service center personnel. |

HAZARD

WARNING: Risk of Falling



| What Could Happen | How To Prevent It |
|---|---|
| A portable compressor can fall from a table, workbench, or roof causing damage to the compressor and could result in serious injury or death to the operator. | Always operate compressor in a stable secure position to prevent accidental movement of the unit. Never operate compressor on a roof or other elevated position. Use additional air hose to reach high locations. |

HAZARD

WARNING: Risk of Serious Injury or Property Damage When Transporting Compressor



(Fire, Inhalation, Damage to Vehicle Surfaces)

| What Could Happen | How To Prevent It |
|---|--|
| Oil can leak or spill and could result in fire or breathing hazard; serious injury or death can result. oil leaks will damage carpet, paint or other surfaces in vehicles or trailers. | Always place COMPRESSOR on a protective mat when transporting to protect against damage to vehicle from leaks. Remove COMPRESSOR from vehicle immediately upon arrival at your destination. |

HAZARD

WARNING: Risk of Unsafe Operation



| What Could Happen | How To Prevent It |
|---|--|
| Unsafe operation of your air compressor could lead to serious injury or death to you or others. | Review and understand all instructions and warnings in this manual. Become familiar with the operation and controls of the air compressor. Keep operating area clear of all persons, pets, and obstacles. Keep children away from the air compressor at all times. Do not operate the product when fatigued or under the influence of alcohol or drugs. Stay alert at all times. Never defeat the safety features of this product. Equip area of operation with a fire extinguisher. Do not operate machine with missing, broken, or unauthorized parts. |

SAVE THESE INSTRUCTIONS

SPECIFICATIONS

| | |
|------------------------------------|-------------------|
| Model No. | C7550 |
| Horsepower Peak | 7.0 |
| Voltage-Single Phase | 240V |
| Minimum Branch Circuit Requirement | 30 amps |
| *Fuse Type | Time Delay |
| Air Tank Capacity, Gallons | 80 ASME, Vertical |
| Approximate Cut-in Pressure | 140 PSIG |
| Approximate Cut-out Pressure | 175 PSIG |
| SCFM @ 100 psig | 15.6 |
| SCFM @ 175 psig | 15.2 |

GLOSSARY

Become familiar with these terms before operating the unit.

CFM: Cubic feet per minute.

SCFM: Standard cubic feet per minute; a unit of measure of air delivery.

PSIG: Pounds per square inch gauge; a unit of measure of pressure.

Code Certification: Products that bear one or more of the following marks: UL, CUL, ETL, CETL, have been evaluated by OSHA certified independent safety laboratories and meet the applicable Underwriters Laboratories Standards for Safety.

Cut-In Pressure: While the motor is off, air tank pressure drops as you continue to use your accessory. When the tank pressure drops to a certain low level the motor will restart

automatically. The low pressure at which the motor automatically restarts is called "cut-in" pressure.

Cut-Out Pressure: When an air compressor is turned on and begins to run, air pressure in the air tank begins to build. It builds to a certain high pressure before the motor automatically shuts off - protecting your air tank from pressure higher than its capacity. The high pressure at which the motor shuts off is called "cut-out" pressure.

Branch Circuit: Circuit carrying electricity from electrical panel to outlet.

To Lock Out Power: Place a lock on the line power switch so no one else can turn on the power.

DUTY CYCLE

This air compressor pump is capable of running continuously. However, to prolong the life of your air compressor, it is recommended that a

50%-75% average duty cycle be maintained; that is, the air compressor pump should not run more than 30-45 minutes in any given hour.

ACCESSORIES

Accessories for this unit are available at the store the unit was purchased.

ASSEMBLY

Contents of Carton

- 1 - Air Compressor
- 1 - Parts bag containing:
 - 1 - Operator's Manual
 - 1 - Parts Manual
 - 4 - 5/8" Washers

Tools Required for Assembly

- 1 - 9/16" socket or open end wrench
- 1 - Electric drill

Unpacking

1. Remove all packaging.

CAUTION It may be necessary to brace or support one side of the outfit when removing the pallet because the air compressor will have a tendency to tip.

2. Remove and discard the (4) screws and washers holding the compressor to the pallet.
3. With the help of another person carefully remove air compressor from pallet and place on a level surface.

To Add Oil To Pump

CAUTION Compressors are shipped with some oil due to factory testing. Do not operate this air compressor without adding the correct amount of oil to the pump crankcase. Serious damage can result from even the minimal operation if the pump crankcase does not contain the correct amount of oil. Make sure the break-in procedure is completed before operating the air compressor.

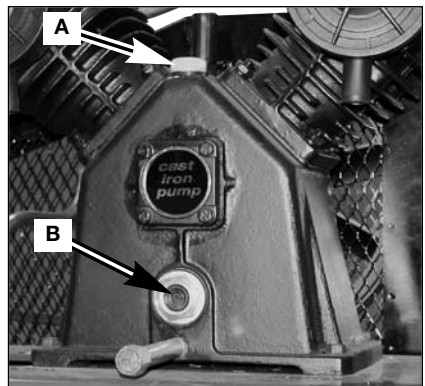
CAUTION Multi-Viscosity motor oils, like 10W 30, should not be used in an air compressor. They leave carbon deposits on critical components, thus reducing performance and compressor life. Use air compressor oil only.

NOTE: Oil is included with some units. If oil is not included, use an oil specifically formulated for use in an air compressor, such as Porter-Cable PAS1 air compressor oil. Oil may be found at the store where the air compressor was purchased.

1. Place unit on a level surface.

WARNING Drain tank to release air pressure before removing the oil fill cap or oil drain plug.

2. Remove oil fill plug (A) and slowly add a compressor oil to the middle of sight glass (B). **NOTE:** When filling the crankcase, the oil flows very slowly into the pump. If the oil is added too quickly, it will overflow and appear to be full. **NOTE:** Crankcase oil capacity is approximately 48 fluid ounces.



3. Replace oil fill plug.

INSTALLATION

HOW TO SET UP YOUR UNIT

Location of the Air Compressor

- Locate the air compressor in a clean, dry, and well ventilated area.
- Located the air compressor at least 12" away from the wall or other obstructions that will interfere with the flow of air.
- Locate the air compressor as close to the main power supply as possible to avoid using long lengths of electrical wiring.
NOTE: Long lengths of electrical wiring could cause power loss to the motor.
- The air filter must be kept clear of obstructions which could reduce air flow to the air compressor.

Anchoring of the Air Compressor

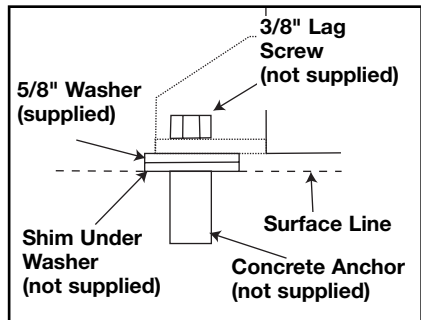
⚠ WARNING Risk of Bursting. Excessive Vibration can weaken the air tank and cause an explosion. The compressor must be properly mounted.

The air compressor **MUST** be bolted to a solid, level surface.

Hardware needed:

- 4 - Concrete anchors (not supplied)
- 4 - 3/8" Lag screw to fit concrete anchors (not supplied)
- 4 - 5/8" Washer (supplied) shims (if needed)

1. Place the air compressor on a solid, level surface.
2. Mark the surface using the holes in the air compressor feet as a template.
3. Drill holes in the surface for the concrete anchors. Install concrete anchors.
4. Line-up holes in surface with holes in air compressor feet.
5. Place the (4) washers (supplied) between the floor and air compressor feet. If needed, solid shims may be placed between the washers and floor to evenly distribute weight on all four feet. See next figure.



6. Place the (4) 3/8" lag screws through the air compressor feet, washers, shims, and into the anchors.
7. Torque 3/8" lag screws to 7-10 ft.-lbs.

Wiring Instructions

⚠ DANGER Risk of Electrical Shock. Improper electrical grounding can result in electrical shock. The wiring should be done by a qualified electrician

A qualified electrician needs to know the following before wiring:

1. The amperage rating of the electrical box should be adequate. Refer to the Specification Chart, in the parts manual, for this information.
2. The supply line should have the same electrical characteristics (voltage, cycle, phase) as the motor. Refer to the motor nameplate, on side of motor, for this information.

NOTE: The wiring must be the same as the motor nameplate voltage plus or minus 10%. Refer to local codes for recommended wire sizes, correct wire size, and maximum wire run; undersize wire causes high amp draw and overheating to the motor.

⚠ CAUTION Risk of Electrical Shock. Electrical wiring must be located away from hot surfaces such as manifold assembly, compressor outlet tubes, heads, or cylinders.

GROUNDING INSTRUCTIONS

This product should be connected to a metallic, permanent wiring system, of an equipment-grounding terminal or lead on the product.

Voltage and Circuit Protection

Refer to the specification chart for the voltage and minimum branch circuit requirements.

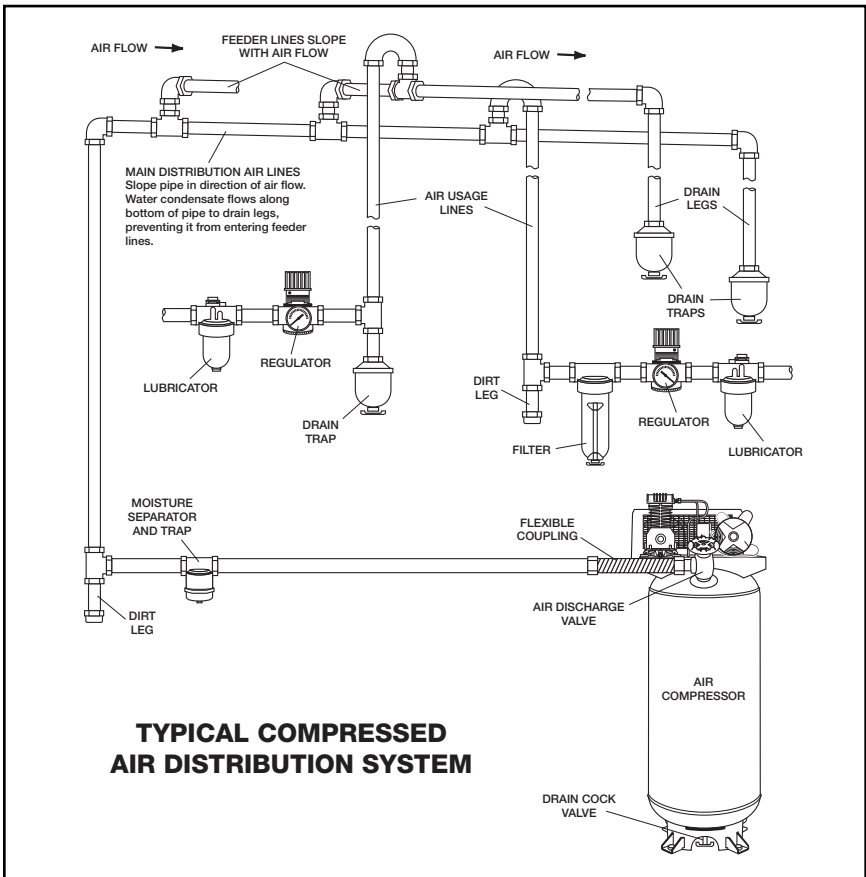
Air Distribution System

⚠ WARNING Risk of Bursting. Plastic or PVC pipe is not designed for use with compressed air. Regardless of its indicated pressure rating, plastic pipe can burst from air pressure. Use only metal pipe for air distribution lines.

The next figure represents a typical air distribution system. The following are tips to remember when setting up the air compressor's air distribution system.

- Use pipe that is the same size as the air tank outlet. Piping that is too small will restrict the flow of air.

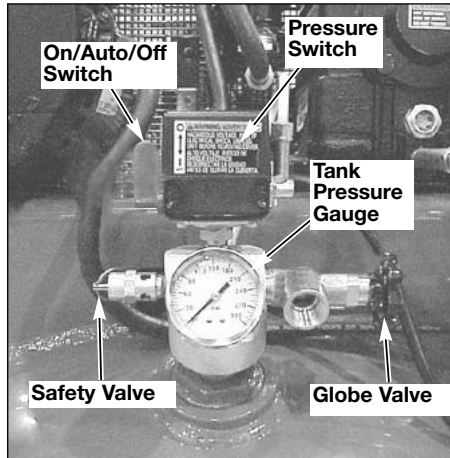
- If piping is over 100 feet long, use the next larger size.
- Bury underground lines below the frost line and avoid pockets where condensation can gather and freeze. Apply pressure before underground lines are covered to make sure all pipe joints are free of leaks.
- A flexible coupling is recommended to be installed between the air discharge outlet and main air distribution line to allow for vibration.
- A separate regulator is recommended to control the air pressure. Air pressure from the tank is usually too high for individual air driven tools.



OPERATION

Know Your Air Compressor

READ THIS OWNER'S MANUAL AND SAFETY RULES BEFORE OPERATING YOUR UNIT. Compare the illustrations with your unit to familiarize yourself with the location of various controls and adjustments. Save this manual for future reference.



Description of Operation

Become familiar with these controls before operating the unit.

On/Auto/Off Lever: Turn this switch "On/Auto" to provide automatic power to the pressure switch and "Off" to remove power at the end of each use.

Pressure Switch: The pressure switch automatically starts the motor when the air tank pressure drops below the factory set "cut-in" pressure. It stops the motor when the air tank pressure reaches the factory set "cut-out" pressure.

Safety Valve: If the pressure switch does not shut off the air compressor at its "cut-out" pressure setting, the safety valve will protect against high pressure by "popping out" at its factory set pressure (slightly higher than the pressure switch "cut-out" setting).

Tank Pressure Gauge: The tank pressure gauge indicates the reserve air pressure in the tank.

Globe Valve (sold separately): Opens and closes air discharge valve. Turn knob counter-clockwise to open and clockwise to close.

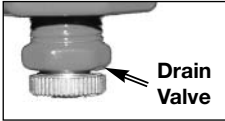
Regulator (sold separately, not shown): An air pressure regulator or a separate air transformer which combines the functions of air regulation and/or moisture and dirt removal is recommended for most applications.

Cooling System (not shown): This compressor contains an advanced design cooling system. At the heart of this cooling system is an engineered fan. It is perfectly normal for this fan to blow air through the vent holes in large amounts. You know that the cooling system is working when air is being expelled.

Air Compressor Pump (not shown):

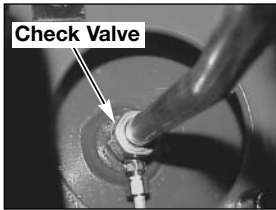
Compresses air into the air tank. Working air is not available until the compressor has raised the air tank pressure above that required at the air outlet.

Drain Valve: The drain valve is located at the base of the air tank and is used

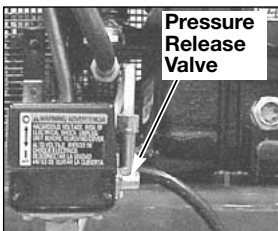


to drain condensation at the end of each use.

Check Valve: When the air compressor is operating, the check valve is "open", allowing compressed air to enter the air tank. When the air compressor reaches "cut-out" pressure, the check valve "closes", allowing air pressure to remain inside the air tank.

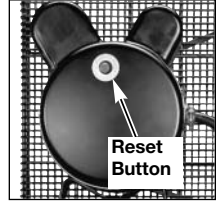


Pressure Release Valve: The pressure release valve located on the side of the pressure switch, is designed to automatically release compressed air from the compressor head and the outlet tube when the air compressor reaches "cut-out" pressure or is shut off. The pressure release valve allows the motor to restart freely. When the motor stops running, air will be heard escaping from this valve for a few seconds. No air should be heard leaking when the motor is running or after the unit reaches "cut-out" pressure.



Motor Overload Protector: This motor has a manual thermal overload protector. If the motor overheats for any reason, the overload protector will shut off the motor. The motor must be allowed to cool down before restarting. To restart:

1. Place the On/Auto/Off lever in the "Off" position.
2. Allow the motor to cool.
3. Depress the red reset button on the motor.
4. Place the On/Auto/Off lever in the "On/Auto" position to restart the motor.



Air Intake Filter (not shown): This

filter is designed to clean air coming into the pump. This filter must always be clean and ventilation openings free from obstructions. See "Maintenance".

How to Use Your Unit

How to Stop:

1. Set the On/Auto/Off lever to "Off".

Before Starting

Break-in Procedure

CAUTION Risk of Unsafe Operation. Serious damage may result if the following break-in instructions are not closely followed.

This procedure is required **before** the air compressor is put into service and when the check valve or a complete compressor pump has been replaced.

1. Make sure the On/Auto/Off lever is in the "Off" position.

2. Check oil level in pump. See "Oil" paragraph in the "Maintenance" section for instructions.
3. Recheck all wiring. Make sure wires are secure at all terminals connections. Make sure all contacts move freely and are not obstructed.
4. Open the globe valve fully to permit air to escape and prevent air pressure build up in the air tank during the break-in period.
5. Move the On/Auto/Off lever to "On/Auto" position. The compressor will start.
6. Run the compressor for 20 minutes. Make sure the globe valve is open and there is minimal air pressure build-up in tank.
7. Check all air line fittings and connections/piping for air leaks by applying a soap solution. Correct if necessary. **NOTE:** Minor leaks can cause the air compressor to overwork, resulting in premature breakdown or inadequate performance.
8. Check for excessive vibration. Readjust or shim air compressor feet, if necessary.
9. After 20 minutes, close the globe valve. The air receiver will fill to "cut-out" pressure and the motor will stop.

Before Each Start-Up:

1. Place On/Auto/Off lever to "Off".
2. Close the globe valve.
3. Attach hose and accessories.
NOTE: A regulator **MUST** be installed when using accessories rated at less than 175 PSI.

NOTE: The hose or accessory will require a quick connect plug if the air outlet is equipped with a quick connect socket.

⚠ WARNING Risk of Bursting. Too much air pressure causes a hazardous risk of bursting. Check the manufacturer's maximum pressure rating for air tools and accessories. The regulator outlet pressure must never exceed the maximum pressure rating.

How to Start:

1. Turn the On/Auto/Off lever to "On/Auto" and allow tank pressure to build. Motor will stop when tank pressure reaches "cut-out" pressure.
2. When the tank pressure reaches "cut-out" pressure open the globe valve.

IMPORTANT: When using regulator and other accessories refer to the manufacturers instructions.

The compressor is ready for use.

MAINTENANCE

Customer Responsibilities

| | Before each use | Daily or after each use | Every 8 hours | Every 40 hours | Every 100 hours | Every 160 hours | Yearly |
|---|-----------------|-------------------------|---------------|----------------|-----------------|-----------------|--------|
| Check Safety Valve | ● | | | | | | |
| Drain Tank | | ● | | | | | |
| Oil Leaks | | | ● | | | | |
| Check Oil | | | ● | | | | |
| Change Oil | | | | | | ● | |
| Unusual Noise and/or Vibration | | | ● | | | | |
| Air Filter | | | | | ● ¹ | | |
| Drive Belt-Condition | | | | ● | | | |
| Motor Pulley/Flywheel alignment | | | | | ● | | |
| Air compressor pump intake and exhaust valves | | | | | | | ● |
| Inspect air lines and fittings for leaks | ● | | | | | | |
| Head Bolts - Check the torques of the head bolts after the first five hours of operation. | | | | | | | |
| 1- more frequent in dusty or humid conditions | | | | | | | |

▲ WARNING Risk of Unsafe Operation. Unit cycles automatically when power is on. When servicing, you may be exposed to voltage sources, compressed air, or moving parts. Before servicing unit unplug or disconnect electrical supply to the air compressor, bleed tank of pressure, and allow the air compressor to cool.

To ensure efficient operation and longer life of the air compressor, a routine maintenance schedule should be prepared and followed. The above routine maintenance schedule is geared to an air compressor in a normal working environment operating on a daily basis. If necessary, the schedule should be modified to suit the conditions under which your air compressor is used. The modifications will depend upon the hours of operation and the working environment. Compressors in an extremely dirty and/or hostile environment will require a greater frequency of all maintenance checks.

NOTE: See "Operation" section for the location of controls.

To Check Safety Valve

▲ WARNING Risk of Bursting. If the safety valve does not work properly, over-pressurization may occur, causing air tank rupture or an explosion.

1. Before starting compressor, pull the ring on the safety valve to make sure that the safety valve operates freely. If the valve is stuck or does not operate smoothly, it must be replaced with the same type of valve.

To Drain Tank

NOTE: Operation of the air compressor will cause condensation to build up in the air tank. Always drain tank on a washable surface or in a suitable container to prevent damaging or staining surfaces.

1. Set the On/Auto/Off lever to "Off".
2. Close the globe valve.
3. Remove the air tool or accessory.
4. Open the globe valve and allow the air to slowly bleed from the air tank until tank pressure is approximately 20 psi.
5. Close the globe valve.
6. Drain water from air tank by opening drain valve on bottom of tank.



Open Drain Valve

▲ WARNING Risk of

Bursting. Water will condense in the air tank. If not drained, water will corrode and weaken the air tank causing a risk of air tank rupture.

7. After the water has been drained, close the drain valve. The air compressor can now be stored.



Closed Drain Valve

NOTE: If drain valve is plugged, release all air pressure. The valve can then be removed, cleaned, then reinstalled.

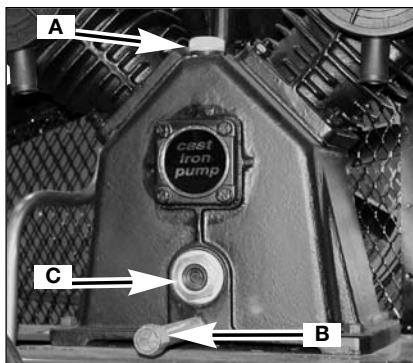
Oil

NOTE: Use an oil specifically formulated for use in an air compressor, such as Porter-Cable PAS1 air compressor oil. Oil may be found at the store where the air compressor was purchased.

NOTE: Crankcase oil capacity is approximately 48 fluid ounces (1.4 L).

Checking

1. The oil level should be to the middle of the sight glass (C).
2. If needed remove oil fill plug (A) and slowly add oil until it reaches the middle of the sight glass.



Changing

1. Remove the oil fill plug (A).
2. Remove the oil drain plug (B) and drain oil into a suitable container.
3. Replace the oil drain plug (B) and tighten securely.
4. Slowly add compressor oil until the oil level is in the middle of the sightglass (C). **NOTE:** When filling the crankcase, the oil flows very slowly into the pump. If the oil is added too quickly, it will overflow and appear to be full.

▲ CAUTION Risk of Unsafe Operation.

Overfilling with oil will cause premature compressor failure. Do not overfill.

5. Replace oil fill plug (A) and tighten securely.

Air Filter - Inspection and Replacement

⚠ WARNING Hot surfaces. Risk of burn.

Compressor heads are exposed when filter cover is removed. Allow compressor to cool prior to servicing.

⚠ CAUTION Keep the air filter clean at all times.

Do not operate the air compressor with the air filter removed.

A dirty air filter will not allow the compressor to operate at full capacity. Keep the air filter clean at all times.

1. Remove air filter.
2. Remove the air filter cover.
3. Remove the air filter from filter cover.

IMPORTANT: Do not operate the compressor with the air filter removed.

4. Place new air filter into filter cover. Refer to the "Repair Parts" for the correct part number.
5. Replace air filter cover and reassemble air filter to pump.

Belt - Replacement

(Refer to the Parts Manual for replacement belt part number.)

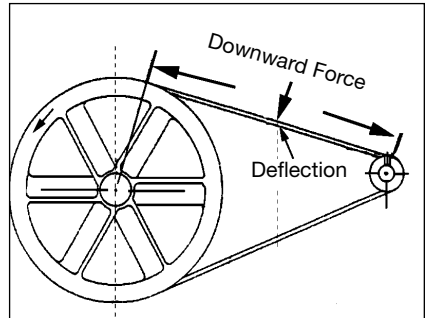
⚠ WARNING Serious injury or damage may occur if parts of the body or loose items get caught in moving parts. Never operate the outfit with the belt guard removed. The belt guard should be removed only when the air compressor power is disconnected.

1. Turn air compressor off, lock out the power supply, and relieve all air pressure from the air tank.
2. Remove the belt guard.
3. Mark pump position on saddle.

4. Loosen the motor mounting screws and slide the motor toward the air compressor.
5. Remove the belt and replace with a new one.
6. See the "Adjust Belt Tension" before tightening motor mounting screws.

Adjusting Belt Tension

1. Slide motor into original position, line the motor up with the mark made earlier on saddle.
2. Tighten two outside motor mounting screws enough to hold the motor in place for checking pulley and flywheel alignment.
3. The belt should deflect 3/16" at midway between the pulley and the flywheel when a 5-10 pound weight is applied at the midway point.



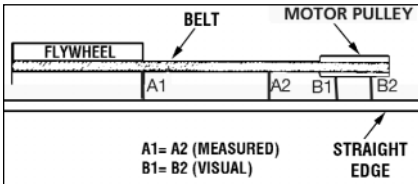
3. When proper belt tension is achieved, tighten all four motor mounting screws. See Parts manual for torque specifications.

NOTE: Once the engine pulley has been moved from its factory set location, the grooves of the flywheel and pulley must be aligned to within 1/16" to prevent excessive belt wear. Verify the alignment by performing the following Pulley and Flywheel - Alignment.

Motor Pulley/Flywheel Alignment

NOTE: Once the motor pulley has been moved from its factory set location, the grooves of the flywheel and pulley must be aligned to within 1/16" to prevent excessive belt wear. The air compressor flywheel and motor pulley must be in-line (in the same plane) within 1/16" to assure belt retention within flywheel belt grooves. To check alignment, perform the following steps:

1. Turn air compressor off, lock out the power supply, and relieve all air pressure from the air tank.
2. Remove belt guard.
3. Place a straightedge against the outside of the flywheel and the motor drive pulley.
4. Measure the distance between the edge of the belt and the straightedge at points A1 and A2 in figure. The difference between measurements should be no more than 1/16".



5. If the difference is greater than 1/16" loosen the set screw holding the motor drive pulley to the shaft and adjust the pulley's position on the shaft until the A1 and A2 measurements are within 1/16" of each other.
6. Tighten the motor drive pulley set screw. See Parts manual for torque specifications.

7. Visually inspect the motor drive pulley to verify that it is perpendicular to the drive motor shaft. Points B1 and B2 of Figure should appear to be equal. If they are not, loosen the setscrew of the motor drive pulley and equalize B1 and B2, using care not to disturb the belt alignment performed in step 2.
8. Retighten the motor drive pulley setscrew. See Parts manual for torque specifications.
9. Reinstall belt guard.

Air Compressor Pump Intake and Exhaust Valves

Once a year have a Trained Service Technician check the air compressor pump intake and exhaust valves.

Inspect Air Lines and Fittings for Leaks

1. Turn air compressor off, lock out the power supply, and relieve all air pressure from the air tank.
2. Apply a soap solution to all air line fittings and connections/piping.
3. Correct any leaks found.

IMPORTANT: Even minor leaks can cause the air compressor to overwork, resulting in premature breakdown or inadequate performance.

Air compressor Head Bolts - Torquing

The air compressor pump head bolts should be kept properly torqued. Check the torques of the head bolts after the first five hours of operation. Retighten if necessary. See Parts manual for torque specifications.

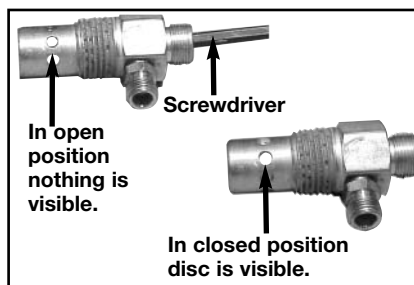
SERVICE AND ADJUSTMENTS

ALL MAINTENANCE AND REPAIR OPERATIONS NOT LISTED MUST BE PERFORMED BY TRAINED SERVICE TECHNICIAN.

⚠ WARNING Risk of Unsafe Operation. Unit cycles automatically when power is on. When servicing, you may be exposed to voltage sources, compressed air, or moving parts. Before servicing unit unplug or disconnect electrical supply to the air compressor, bleed tank of pressure, and allow the air compressor to cool.

To Replace or Clean Check Valve

1. Release all air pressure from air tank. See "To Drain Tank" in the Maintenance section.
2. Turn air compressor off, lock out the power supply, and relieve all air pressure from the air tank.
3. Using an adjustable wrench loosen outlet tube nut at air tank and pump. Carefully move outlet tube away from check valve.
4. Using an adjustable wrench loosen pressure relief tube nut at air tank and pressure switch. Carefully move pressure relief tube away from check valve.
5. Unscrew the check valve (turn counterclockwise) using a 7/8" open end wrench. **Note** the orientation for reassembly.
6. Using a screwdriver, carefully push the valve disc up and down. **NOTE:** The valve disc should move freely up and down on a spring which holds the valve disc in the closed position, if not the check valve needs to be cleaned or replaced.



7. Clean or replace the check valve. A solvent, such as paint or varnish remover can be used to clean the check valve.
8. Apply sealant to the check valve threads. Reinstall the check valve (turn clockwise).
9. Replace the pressure release tube. Tighten nuts.
10. Replace the outlet tube and tighten nuts.
11. Perform the Break-in Procedure. See "Break-in Procedure" in the Operation section.

Additional Service

Disassembly or service of the air compressor beyond what is covered in this manual is not recommended. If additional service is required, contact your nearest Authorized Warranty Service Center.

STORAGE

Before you store the air compressor, make sure you do the following:

1. Review the "Maintenance" section on the preceding pages and perform scheduled maintenance as necessary.
2. Set the On/Auto/Off lever to "Off".
3. Close the globe valve.
4. Remove the air tool or accessory.
5. Open the globe valve and allow the air to slowly bleed from the air tank until tank pressure is approximately 20 psi.
6. Drain water from air tank by opening drain valve on bottom of tank.

⚠ WARNING Water will condense in the air tank. If not drained, water will corrode and weaken the air tank causing a risk of air tank rupture.

7. After the water has been drained, close the drain or drain valve.

NOTE: If drain valve is plugged, release all air pressure. The valve can then be removed, cleaned, then reinstalled.

8. Protect the air hose from damage (such as being stepped on or run over).

TROUBLESHOOTING

⚠ WARNING Performing repairs may expose voltage sources, moving parts or compressed air sources. Personal injury may occur. Prior to attempting any repairs, unplug the air compressor and bleed off all air tank air pressure.

| PROBLEM | CAUSE | CORRECTION |
|--|---|--|
| Excessive tank pressure - safety valve pops off. | <p>Pressure switch does not shut off motor when compressor reaches "cut-out" pressure.</p> <p>Pressure switch "cut-out" too high.</p> | <p>Move On/Auto/Off lever to the "Off" position, if the unit does not shut off contact a Trained Service Technician. Contact a Trained Service Technician.</p> |
| Air leaks at fittings. | Tube fittings are not tight enough. | Tighten fittings where air can be heard escaping. Check fittings with soapy water solution. DO NOT OVER TIGHTEN. |
| Air leaks at or inside check valve. | Check valve seat damaged. | A defective check valve results in a constant air leak at the pressure release valve when there is pressure in the tank and the compressor is shut off. Replace check valve. Refer the "To Replace or Clean Check Valve" in the "Service and Adjustments" section. |
| Air leaks at pressure switch release valve. | Defective pressure switch release valve. | Contact a Trained Service Technician. |
| Air leaks in air tank or at air tank welds. | Defective air tank. | <p>Air tank must be replaced. Do not repair the leak.</p> <p>⚠ WARNING Do not drill into, weld or otherwise modify air tank or it will weaken. The tank can rupture or explode.</p> |
| Air leaks between head and valve plate. | Leaking seal. | Contact a Trained Service Technician. |

| PROBLEM | CAUSE | CORRECTION |
|---|--|---|
| Pressure reading on the regulated pressure gauge (if equipped) drops when an accessory is used. | It is normal for "some" pressure drop to occur. | If there is an excessive amount of pressure drop when the accessory is used, adjust the regulator as instructed in the Operation section. NOTE: Adjust the regulated pressure under flow conditions (while accessory is being used). |
| Air leak from safety valve. | Possible defect in safety valve. | Operate safety valve manually by pulling on ring. If valve still leaks, it should be replaced. |
| Compressor is not supplying enough air to operate accessories. | <p>Prolonged excessive use of air. Compressor is not large enough for air requirement.</p> <p>Hole in hose.</p> <p>Check valve restricted.</p> <p>Air leaks.</p> <p>Restricted air intake filter.</p> <p>Loose belt.</p> | <p>Decrease amount of air usage.</p> <p>Check the accessory air requirement. If it is higher than the SCFM or pressure supplied by your air compressor, you need a larger compressor. Check and replace if required.</p> <p>Remove and clean, or replace.</p> <p>Tighten fittings.</p> <p>Clean or replace air intake filter. Do not operate the air compressor with the filter removed. Refer to the "Air Filter" paragraph in the "Maintenance " section.</p> <p>Check belt tension, see Adjusting Belt Tension in the Maintenance section.</p> |
| Restricted air intake. | Dirty air filter. | Clean or replace. See Air Filter paragraph in the Maintenance section. |

| PROBLEM | CAUSE | CORRECTION |
|--|--|--|
| Motor will not run. | <p>Motor overload protection switch has tripped.</p> <p>Tank pressure exceeds pressure switch "cut-in" pressure.</p> <p>Check valve stuck open.</p> <p>Loose electrical connections.</p> <p>Possible defective motor or starting capacitor.</p> <p>Paint spray on internal motor parts.</p> <p>Pressure release valve on pressure switch has not unloaded head pressure.</p> <p>Fuse blown, circuit breaker tripped.</p> | <p>Let motor cool off and overload switch will automatically reset.</p> <p>Motor will start automatically when tank pressure drops below "cut-in" pressure of pressure switch.</p> <p>Remove and clean, or replace.</p> <p>Check wiring connection inside pressure switch and terminal box area.</p> <p>Have checked by a Trained Service Technician.</p> <p>Have checked by a Trained Service Technician. Do not operate the compressor in the paint spray area. See flammable vapor warning.</p> <p>Bleed the line by pushing the lever on the pressure switch to the "Off" position; if the valve does not open, replace switch.</p> <ol style="list-style-type: none"> 1. Check fuse box for blown fuse and replace as necessary. Reset circuit breaker. Do not use a fuse or circuit breaker with higher rating than that specified for your particular branch circuit. 2. Check for proper fuse. You should use a time delay fuse. 3. Check for low voltage conditions and/or proper extension cord. 4. Disconnect the other electrical appliances from circuit or operate the compressor on its own branch circuit. |
| Safety Valve on pump "pops" out (if equipped). | Pressure switch, check valve, or pump could be in need of servicing. | Have checked by a Trained Service Technician. |

| PROBLEM | CAUSE | CORRECTION |
|----------------------|-----------------------------------|--|
| Knocking Noise. | Possible defect in safety valve. | Operate safety valve manually by pulling on ring. If valve still leaks, it should be replaced. |
| | Defective check valve. | Remove and clean, or replace. |
| | Loose pulley. | Tighten pulley set screw, see Parts manual for torque specifications. |
| | Loose flywheel. | Tighten flywheel screw, see Parts manual for torque specifications. |
| | Compressor mounting screws loose. | Tighten mounting screws, see Parts manual for torque specifications. |
| | Loose belt. | Check belt tension, see Adjusting Belt Tension in the Maintenance section. |
| | Carbon build-up in pump. | Have checked by a Trained Service Technician. |
| | Belt too tight. | Check belt tension, see Adjusting Belt Tension in the Maintenance section. |
| Excessive belt wear. | Loose belt. | Check belt tension, see Adjusting Belt Tension in the Maintenance section. |
| | Tight belt. | Check belt tension, see Adjusting Belt Tension in the Maintenance section. |
| | Loose pulley. | Have checked by a Trained Service Technician. |
| | Pulley misalignment. | See Motor Pulley/Flywheel Alignment paragraph in the Maintenance section. |
| Squealing sound. | Compressor pump has no oil. | See Oil-Checking paragraph in the Maintenance section. |
| | Loose belt. | Check belt tension, see Adjusting Belt Tension in the Maintenance section. |

LIMITED WARRANTY

PORTER-CABLE CORPORATION warrants to the original purchaser that all products covered under this warranty are free from defects in material and workmanship. Products covered under this warranty include air compressors, air tools, service parts, pressure washers, and generators, which have the following warranty periods:

- 3 YEARS** - Limited warranty on 2-stage oil-free air compressor pumps that operate at 1725 RPM.
- 2 YEARS** - Limited warranty on oil-lubricated air compressor pumps.
- 1 YEAR** - Limited warranty on all other air compressor components.
- 2 YEARS** - Limited warranty on electric generator alternators.
- 1 YEAR** - Limited warranty on other generator components.
- 2 YEARS** - Limited warranty on pneumatic air tools as described in Porter-Cable general catalog.
- 1 YEAR** - Limited warranty on pressure washers used in consumer applications (i.e. personal residential household usage only).
- 90 DAY** - Pressure washers used for commercial applications (income producing) and service parts.
- 1 YEAR** - Limited warranty on all accessories.

Porter-Cable will repair or replace, at **Porter-Cable's** option, products or components which have failed within the warranty period. Service will be scheduled according to the normal work flow and business hours at the service center location, and the availability of replacement parts. All decisions of **Porter-Cable** Corporation with regard to this limited warranty shall be final.

This warranty gives you specific legal rights, and you may also have other rights which vary from state to state.

RESPONSIBILITY OF ORIGINAL PURCHASER (initial User):

- To process a warranty claim on this product, DO NOT return it to the retailer. The product must be evaluated by a **Porter-Cable** Authorized Warranty Service Center. For the location of the nearest **Porter-Cable** Authorized Warranty Service Center call 1-888-559-8550, 24 hours a day, 7 days a week.
- Retain original cash register sales receipt as proof of purchase for warranty work.
- Use reasonable care in the operation and maintenance of the product as described in the Owners Manual(s).
- Deliver or ship the product to the nearest **Porter-Cable** Authorized Warranty Service Center. Freight costs, if any, must be paid by the purchaser.
- Air compressors with 60 and 80 gallon tanks will be inspected at the site of installation. Contact the nearest **Porter-Cable** Authorized Warranty Service Center that provides on-site service calls, for service call arrangements.
- If the purchaser does not receive satisfactory results from the **Porter-Cable** Authorized Warranty Service Center, the purchaser should contact Porter-Cable.

THIS WARRANTY DOES NOT COVER:

- Merchandise sold as reconditioned, used as rental equipment, and floor or display models.
- Merchandise that has become damaged or inoperative because of ordinary wear, misuse*, cold, heat, rain, excessive humidity, freeze damage, use of improper chemicals, negligence, accident, failure to operate the product in accordance with the instructions provided in the Owners Manual(s) supplied with the product, improper maintenance, the use of accessories or attachments not recommended by **Porter-Cable**, or unauthorized repair or alterations.
- * An air compressor that pumps air more than the recommended duty cycle during a one hour period may be considered misuse.
- Repair and transportation costs of merchandise determined not to be defective.
- Costs associated with assembly, required oil, adjustments or other installation and start-up costs.
- Expendable parts or accessories supplied with the product which are expected to become inoperative or unuseable after a reasonable period of use, including but not limited to sanding disks or pads, saw and shear blades, grinding stones, springs, chisels, nozzles, o-rings, air jets, washers and similar accessories.
- Merchandise sold by **Porter-Cable** which has been manufactured by and identified as the product of another company, such as gasoline engines. The product manufacturer's warranty, if any, will apply.
- **ANY INCIDENTAL, INDIRECT OR CONSEQUENTIAL LOSS, DAMAGE, OR EXPENSE THAT MAY RESULT FROM ANY DEFECT, FAILURE OR MALFUNCTION OF THE PRODUCT IS NOT COVERED BY THIS WARRANTY.** Some states do not allow the exclusion or limitation of incidental or consequential damages, so the above limitation or exclusion may not apply to you.
- **IMPLIED WARRANTIES, INCLUDING THOSE OF MERCHANTABILITY OR FITNESS FOR A PARTICULAR PURPOSE, ARE LIMITED TO ONE YEAR FROM THE DATE OF ORIGINAL PURCHASE.** Some states do not allow limitations on how long an implied warranty lasts, so the above limitations may not apply to you.

PORTER-CABLE

Porter-Cable Corporation
Jackson, TN USA
1-888-559-8550

Free Manuals Download Website

<http://myh66.com>

<http://usermanuals.us>

<http://www.somanuals.com>

<http://www.4manuals.cc>

<http://www.manual-lib.com>

<http://www.404manual.com>

<http://www.luxmanual.com>

<http://aubethermostatmanual.com>

Golf course search by state

<http://golfingnear.com>

Email search by domain

<http://emailbydomain.com>

Auto manuals search

<http://auto.somanuals.com>

TV manuals search

<http://tv.somanuals.com>