

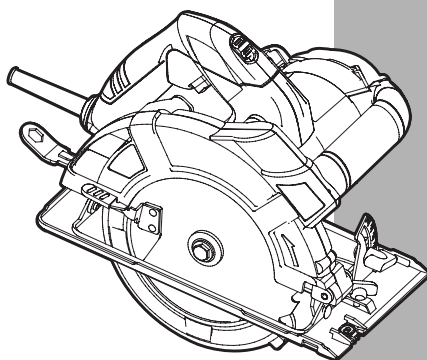
# PORTER CABLE®

**7-1/4 inch (185mm)**

**Circular Saw with Laser**

**Scie circulaire de 7 1/4 po  
(185 mm) avec laser**

**Sierra circular con láser  
185 mm (7-1/4 pulgadas)**



**Instruction manual**

Manuel d'instructions  
Manual de instrucciones

[www.portercable.com](http://www.portercable.com)

INSTRUCTIVO DE OPERACIÓN,  
CENTROS DE SERVICIO Y PÓLIZA DE  
GARANTÍA.

**⚠ ADVERTENCIA:** LÉASE ESTE  
INSTRUCTIVO ANTES DE USAR EL  
PRODUCTO.

**CATALOG NUMBERS**

**PC13CSL  
PC15CSL**

## General Power Tool Safety Warnings

**⚠️WARNING:** Read all safety warnings and instructions. Failure to follow the warnings and instructions may result in electric shock, fire and/or serious injury.

Save all warnings and instructions for future reference.

The term “power tool” in the warnings refers to your mains-operated (corded) power tool or battery-operated (cordless) power tool.

### 1) Work area safety

- a) **Keep work area clean and well lit.** *Cluttered or dark areas invite accidents.*
- b) **Do not operate power tools in explosive atmospheres, such as in the presence of flammable liquids, gases or dust.** *Power tools create sparks which may ignite the dust or fumes.*
- c) **Keep children and bystanders away while operating a power tool.** *Distractions can cause you to lose control.*

### 2) Electrical safety

- a) **Power tool plugs must match the outlet. Never modify the plug in any way. Do not use any adapter plugs with earthed (grounded) power tools.** *Unmodified plugs and matching outlets will reduce risk of electric shock.*
- b) **Avoid body contact with earthed or grounded surfaces such as pipes, radiators, ranges and refrigerators.** *There is an increased risk of electric shock if your body is earthed or grounded.*
- c) **Do not expose power tools to rain or wet conditions.** *Water entering a power tool will increase the risk of electric shock.*
- d) **Do not abuse the cord. Never use the cord for carrying, pulling or unplugging the power tool. Keep cord away from heat, oil, sharp edges or moving parts.** *Damaged or entangled cords increase the risk of electric shock.*
- e) **When operating a power tool outdoors, use an extension cord suitable for outdoor use.** *Use of a cord suitable for outdoor use reduces the risk of electric shock.*
- f) **If operating a power tool in a damp location is unavoidable, use a ground fault circuit interrupter (GFCI) protected supply.** *Use of a GFCI reduces the risk of electric shock.*

### 3) Personal safety

- a) **Stay alert, watch what you are doing and use common sense when operating a power tool. Do not use a power tool while you are tired or under the influence of drugs, alcohol or medication.** *A moment of inattention while operating power tools may result in serious personal injury.*
- b) **Use personal protective equipment. Always wear eye protection.** *Protective equipment such as dust mask, non-skid safety shoes, hard hat, or hearing protection used for appropriate conditions will reduce personal injuries.*
- c) **Prevent unintentional starting. Ensure the switch is in the off-position before connecting to power source and/or battery pack, picking up or carrying the tool.** *Carrying power tools with your finger on the switch or energizing power tools that have the switch on invites accidents.*
- d) **Remove any adjusting key or wrench before turning the power tool on.** *A wrench or a key left attached to a rotating part of the power tool may result in personal injury.*
- e) **Do not overreach. Keep proper footing and balance at all times.** *This enables better control of the power tool in unexpected situations.*
- f) **Dress properly. Do not wear loose clothing or jewellery. Keep your hair, clothing and gloves away from moving parts.** *Loose clothes, jewellery or long hair can be caught in moving parts.*
- g) **If devices are provided for the connection of dust extraction and collection**

facilities, ensure these are connected and properly used. Use of dust collection can reduce dust-related hazards.

#### 4) Power tool use and care

- a) **Do not force the power tool. Use the correct power tool for your application.** *The correct power tool will do the job better and safer at the rate for which it was designed.*
- b) **Do not use the power tool if the switch does not turn it on and off.** *Any power tool that cannot be controlled with the switch is dangerous and must be repaired.*
- c) **Disconnect the plug from the power source and/or the battery pack from the power tool before making any adjustments, changing accessories, or storing power tools.** *Such preventive safety measures reduce the risk of starting the power tool accidentally.*
- d) **Store idle power tools out of the reach of children and do not allow persons unfamiliar with the power tool or these instructions to operate the power tool.** *Power tools are dangerous in the hands of untrained users.*
- e) **Maintain power tools. Check for misalignment or binding of moving parts, breakage of parts and any other condition that may affect the power tool's operation. If damaged, have the power tool repaired before use.** *Many accidents are caused by poorly maintained power tools.*
- f) **Keep cutting tools sharp and clean.** *Properly maintained cutting tools with sharp cutting edges are less likely to bind and are easier to control.*
- g) **Use the power tool, accessories and tool bits etc., in accordance with these instructions, taking into account the working conditions and the work to be performed.** *Use of the power tool for operations different from those intended could result in a hazardous situation.*

#### 5) Battery tool use and care

- a) **Recharge only with the charger specified by the manufacturer.** *A charger that is suitable for one type of battery pack may create a risk of fire when used with another battery pack.*
- b) **Use power tools only with specifically designated battery packs.** *Use of any other battery packs may create a risk of injury and fire.*
- c) **When battery pack is not in use, keep it away from other metal objects like paper clips, coins, keys, nails, screws, or other small metal objects that can make a connection from one terminal to another.** *Shorting the battery terminals together may cause burns or a fire.*
- d) **Under abusive conditions, liquid may be ejected from the battery, avoid contact. If contact accidentally occurs, flush with water. If liquid contacts eyes, additionally seek medical help.** *Liquid ejected from the battery may cause irritation or burns.*

#### 6) Service

- a) **Have your power tool serviced by a qualified repair person using only identical replacement parts.** *This will ensure that the safety of the power tool is maintained.*

### ADDITIONAL SPECIFIC SAFETY RULES SAFETY INSTRUCTIONS FOR ALL SAWS

#### **⚠ DANGER:**

- a. **Keep hands away from cutting area and the blade. Keep your second hand on auxiliary handle, or motor housing.** If both hands are holding the saw, they cannot be cut by the blade.
- b. **Do not reach underneath the workpiece.** The guard cannot protect you from the blade below the workpiece.
- c. **Adjust the cutting depth to the thickness of the workpiece.** Less than a full tooth of the blade teeth should be visible below the workpiece.

- d. **Never hold piece being cut in your hands or across your leg. Secure the workpiece to a stable platform.** It is important to support the work properly to minimize body exposure, blade binding, or loss of control.
- e. **Hold power tool by insulated gripping surfaces when performing an operation where the cutting tool may contact hidden wiring or its own cord.** Contact with a "live" wire will also make exposed metal parts of the power tool "live" and shock the operator.
- f. **When ripping always use a rip fence or straight edge guide.** This improves the accuracy of cut and reduces the chance of blade binding.
- g. **Always use blades with correct size and shape (diamond versus round) of arbor holes.** Blades that do not match the mounting hardware of the saw will run eccentrically, causing loss of control.
- h. **Never use damaged or incorrect blade washers or bolt.** The blade washers and bolt were specially designed for your saw, for optimum performance and safety of operation.

#### CAUSES AND OPERATOR PREVENTION OF KICKBACK:

- Kickback is a sudden reaction to a pinched, bound or misaligned saw blade, causing an uncontrolled saw to lift up and out of the workpiece toward the operator.
- When the blade is pinched or bound tightly by the kerf closing down, the blade stalls and the motor reaction drives the unit rapidly back toward the operator.
- If the blade becomes twisted or misaligned in the cut, the teeth at the back edge of the blade can dig into the top surface of the wood causing the blade to climb out of the kerf and jump back toward the operator.

Kickback is the result of saw misuse and/or incorrect operating procedures or conditions and can be avoided by taking proper precautions as given below:

- a. **Maintain a firm grip with both hands on the saw and position your arms to resist kickback forces. Position your body to either side of the blade, but not in line with the blade.** Kickback could cause the saw to jump backwards, but kickback forces can be controlled by the operator, if proper precautions are taken.
- b. **When blade is binding, or when interrupting a cut for any reason, release the trigger and hold the saw motionless in the material until the blade comes to a complete stop. Never attempt to remove the saw from the work or pull the saw backward while the blade is in motion or kickback may occur.** Investigate and take corrective actions to eliminate the cause of blade binding.
- c. **When restarting a saw in the workpiece, center the saw blade in the kerf and check that saw teeth are not engaged into the material.** If saw blade is binding, it may walk up or kickback from the workpiece as the saw is restarted.
- d. **Support large panels to minimize the risk of blade pinching and kickback.** Large panels tend to sag under their own weight. Supports must be placed under the panel on both sides, near the line of cut and near the edge of the panel.
- e. **Do not use dull or damaged blades.** Unsharpened or improperly set blades produce narrow kerf causing excessive friction, blade binding and kickback.
- f. **Blade depth and bevel adjusting locking levers must be tight and secure before making cut.** If blade adjustment shifts while cutting, it may cause binding and kickback.
- g. **Use extra caution when making a "plunge cut" into existing walls or other blind areas.** The protruding blade may cut objects that can cause kickback.

#### LOWER GUARD SAFETY INSTRUCTIONS

- a. **Check lower guard for proper closing before each use. Do not operate the saw if lower guard does not move freely and close instantly. Never clamp or tie the lower guard into the open position.** If saw is accidentally dropped, lower guard may be bent. Raise the lower guard with the retracting handle and make sure it moves freely and does not touch the blade or any other part, in all angles and depths of cut.
- b. **Check the operation of the lower guard spring. If the guard and the spring are not operating properly, they must be serviced before use.** Lower guard may operate sluggishly due to damaged parts, gummy deposits, or a build-up of debris.
- c. **Lower guard should be retracted manually only for special cuts such as**

"plunge cuts" and "compound cuts." raise lower guard by retracting handle and as soon as blade enters the material, the lower guard must be released. For all other sawing, the lower guard should operate automatically.

- d. **Always observe that the lower guard is covering the blade before placing saw down on bench or floor.** An unprotected, coasting blade will cause the saw to walk backwards, cutting whatever is in its path. Be aware of the time it takes for the blade to stop after switch is released.

## SAFETY INSTRUCTIONS - LASERS

**⚠ DANGER:** Laser radiation, avoid direct eye exposure, serious eye injury can result.

- Do not use optical tools such as a telescope or transit to view the laser beam.
- Position the laser so unintentional eye contact will be avoided.
- Do not operate the laser around children or allow children to operate the laser / power tool.
- Do not disassemble. Modifying the product in any way can increase the risk of laser radiation.

**⚠ WARNING:** Use of controls or adjustments or performance of procedures other than those specified in this manual may result in hazardous laser radiation exposure.

- Do not adjust the laser, when the battery is inserted in the circular saw.
- Do not operate in explosive atmospheres, such as in the presence of flammable liquids, gases, or dust.
- Store idle product out of reach of children and other untrained persons. Lasers / power tools are dangerous in the hands of untrained users.
- Use only accessories that are recommended by the manufacturer for your model. Accessories that may be suitable for one laser / power tool, may create a risk of injury when used on another laser / power tool.
- Repairs and servicing **MUST** be performed by a qualified repair facility. Repairs performed by unqualified personnel could result in serious injury.
- Do not remove or deface warning labels. Removing labels increases the risk of exposure to radiation.
- For indoor use only.
- This product is intended for use in a temperature range of 41°F(5°C) - 104°F(40°C).

**⚠ WARNING:** Some dust created by power sanding, sawing, grinding, drilling, and other construction activities contains chemicals known to *the state of California* to cause cancer, birth defects or other reproductive harm. Some examples of these chemicals are:

- lead from lead-based paints,
- crystalline silica from bricks and cement and other masonry products, and
- arsenic and chromium from chemically-treated lumber.

*Your risk from these exposures varies, depending on how often you do this type of work. To reduce your exposure to these chemicals: work in a well ventilated area, and work with approved safety equipment, such as those dust masks that are specially designed to filter out microscopic particles.*

- **Avoid prolonged contact with dust from power sanding, sawing, grinding, drilling, and other construction activities. Wear protective clothing and wash exposed areas with soap and water.** Allowing dust to get into your mouth, eyes, or lay on the skin may promote absorption of harmful chemicals.

**⚠ WARNING:** Use of this tool can generate and/or disperse dust, which may cause serious and permanent respiratory or other injury. Always use NIOSH/OSHA approved respiratory protection appropriate for the dust exposure. Direct particles away from face and body.

**⚠ WARNING:** Always wear proper personal hearing protection that conforms to ANSI S12.6 (S3.19) during use. Under some conditions and duration of use, noise from this product may contribute to hearing loss.

**⚠ WARNING:** ALWAYS use safety glasses. Everyday eyeglasses are NOT safety glasses. Also use face or dust mask if cutting operation is dusty. ALWAYS WEAR CERTIFIED SAFETY EQUIPMENT:

- ANSI Z87.1 eye protection (CAN/CSA Z94.3),
- ANSI S12.6 (S3.19) hearing protection,
- NIOSH/OSHA/MSHA respiratory protection.

**SAFETY GUIDELINES - DEFINITIONS**

It is important for you to read and understand this manual. The information it contains relates to protecting YOUR SAFETY and PREVENTING PROBLEMS. The symbols below are used to help you recognize this information.

**⚠ DANGER:** Indicates an imminently hazardous situation which, if not avoided, will result in death or serious injury.

**⚠ WARNING:** Indicates a potentially hazardous situation which, if not avoided, could result in death or serious injury.

**⚠ CAUTION:** Indicates a potentially hazardous situation which, if not avoided, may result in minor or moderate injury.

**CAUTION:** Used without the safety alert symbol indicates a potentially hazardous situation which, if not avoided, may result in property damage.

**SYMBOLS**

- The label on your tool may include the following symbols. The symbols and their definitions are as follows:

V.....volts	A .....amperes
Hz.....hertz	W.....watts
min .....minutes	~ .....alternating current
— — — .....direct current	n <sub>o</sub> .....no load speed
Ⓜ .....Class I Construction (grounded)	Ⓧ .....earthing terminal
Ⓛ .....Class II Construction (double insulated)	⚠ .....safety alert symbol
	.../min or rpm...revolutions or reciprocation per minute

The label on your laser may include the following symbols.

V.....volts	mW.....milliwatts
nm.....wavelength in nanometers	
IIIa.....Class IIIA Laser	

- When using an extension cord, be sure to use one heavy enough to carry the current your product will draw. An undersized cord will cause a drop in line voltage resulting in loss of power and overheating. The following table shows the correct size to use depending on cord length and nameplate ampere rating. If in doubt, use the next heavier gage. The smaller the gage number, the heavier the cord.

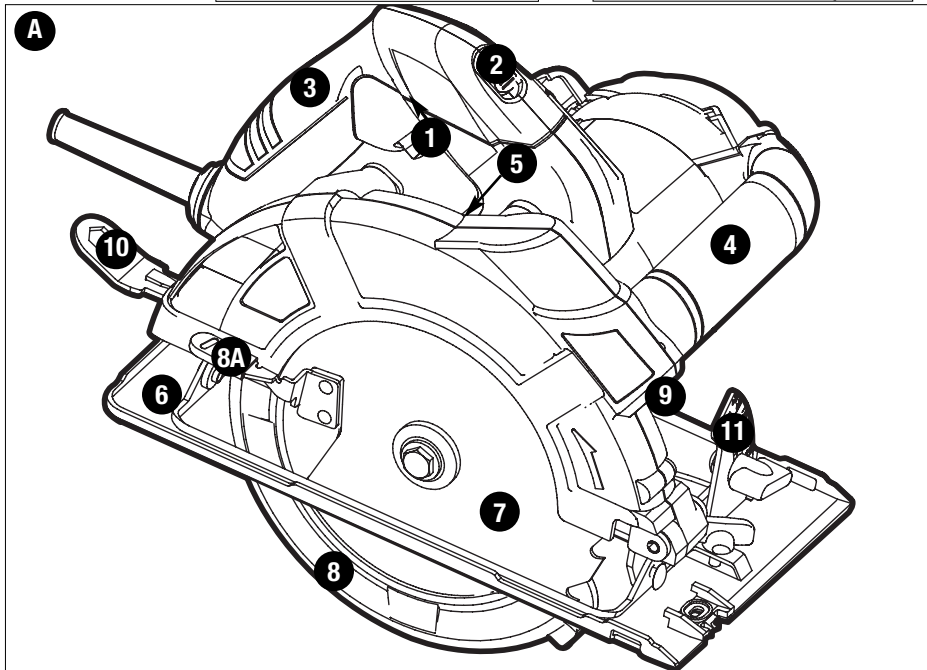
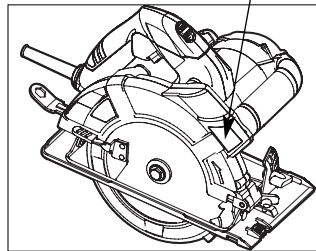
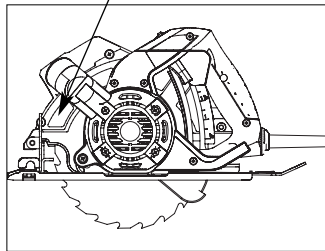
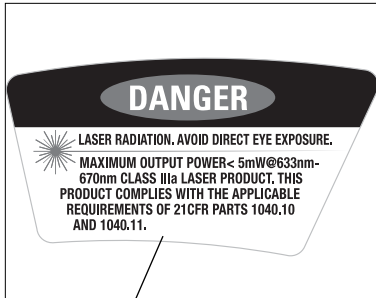
**Recommended Minimum Wire Size for Extension Cords**

Total Length of Cord						
25 ft.	50 ft.	75 ft.	100 ft.	125 ft.	150 ft.	175 ft.
7.6 m	15.2 m	22.9 m	30.5 m	38.1 m	45.7 m	53.3 m
Wire Size AWG						
18	18	16	16	14	14	12

For your convenience and safety, the following labels are on your laser.

Pour plus de commodité et de sécurité, les étiquettes suivantes sont apposées sur le laser.

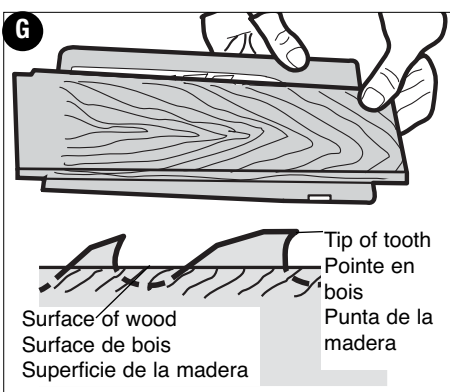
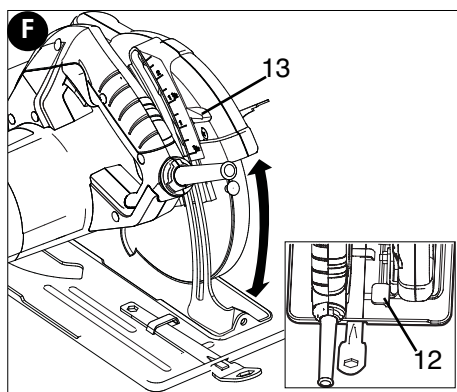
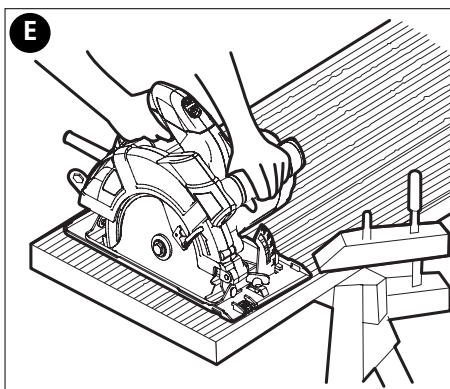
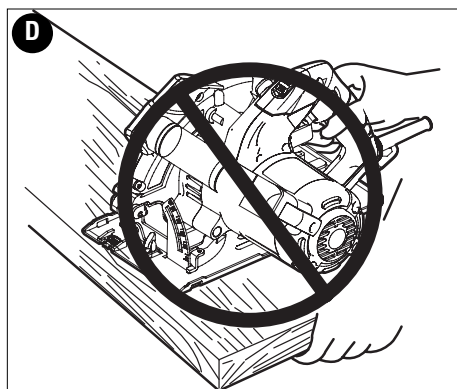
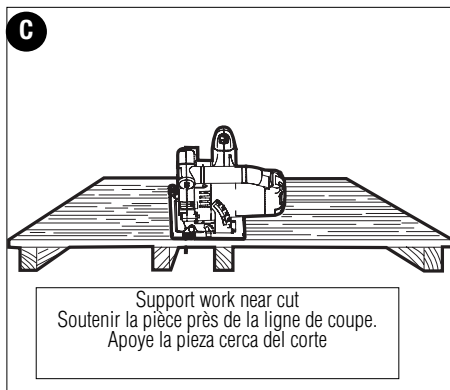
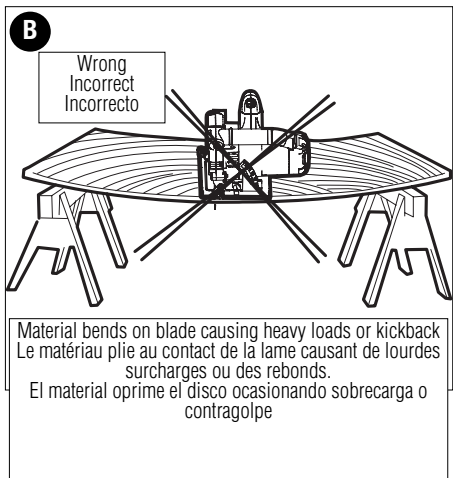
Para su comodidad y seguridad, el láser incluye las siguientes etiquetas.



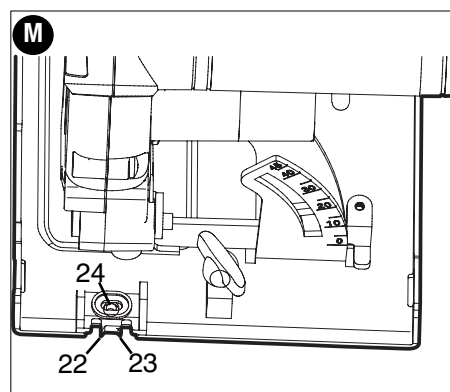
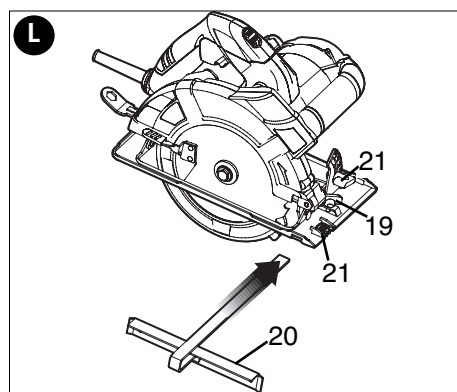
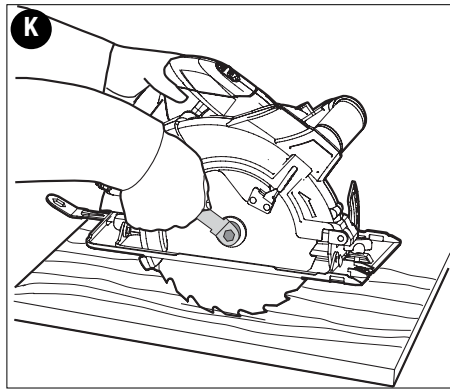
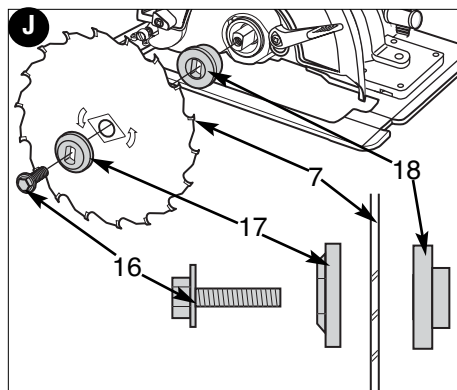
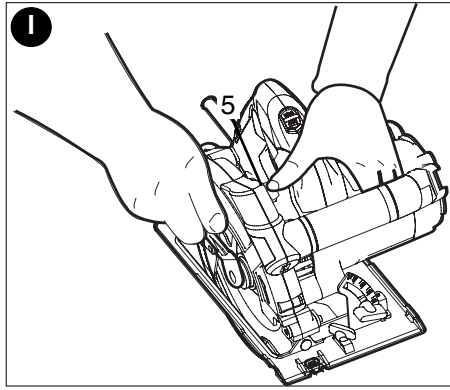
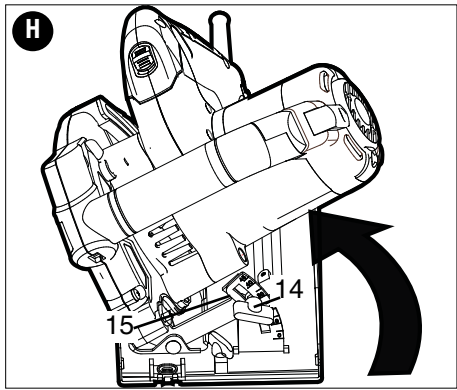
**FUNCTIONAL DESCRIPTION**

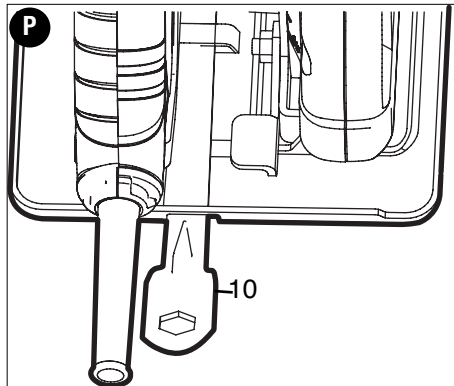
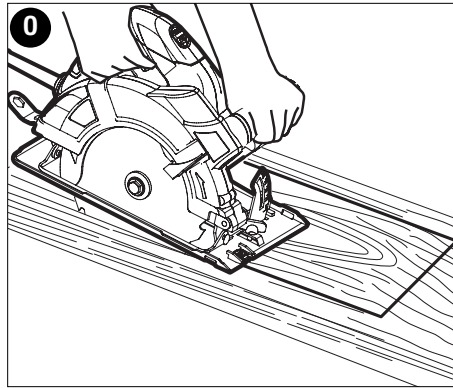
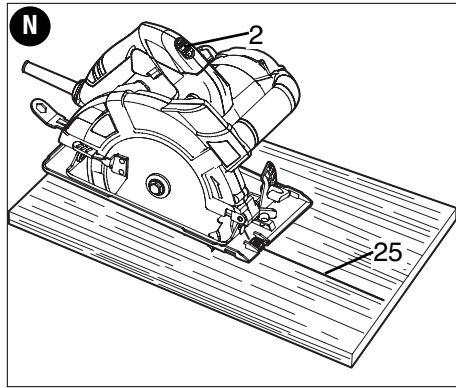
**Figure A**

- 1. On/off switch
  - 2. Laser on/off switch
  - 3. Main handle
  - 4. Secondary handle
  - 5. Spindle lock button (PC15CSL only)
  - 6. Shoe
  - 7. Saw blade
  - 8. Saw blade guard
  - 8a. Blade guard retracting lever
  - 9. Laser
  - 10. Saw blade wrench
  - 11. Bevel adjustment knob
- Rip fence not shown (PC15CSL only)









## SUPPORTING LARGE PANELS / SECURING WORKPIECE

Support large panels to minimize the risk of blade pinching and kickback. Large panels tend to sag under their own weight as shown in **figure B**. Supports must be placed under the panel on both sides, near the line of cut and near the edge of the panel (**figure C**).

Never hold piece being cut in your hands or across your leg (**figure D**). Secure the workpiece to a stable platform as shown in **figure E**. It is important to support the work properly to minimize body exposure, blade binding, or loss of control.

## ASSEMBLY/ SET-UP

**▲WARNING** Always unplug saw from power supply before any of the following operations.

### ADJUSTING THE DEPTH OF CUT (FIGURE F & G)

The depth of cut should be set according to the thickness of the workpiece.

- Loosen the lever (12) to unlock the saw shoe (**figure F**).
- Move the saw shoe (6) into the desired position. The corresponding depth of cut can be read from the scale (13).
- Tighten the lever to lock the saw shoe in place.
- Set depth adjustment of saw such that one tooth of the blade projects below the workpiece as shown in **figure G**. Setting the saw at the proper cutting depth keeps blade friction to a minimum, removes sawdust from between the blade teeth, results in cooler, faster sawing and reduces the chance of kickback.

### ADJUSTING THE BEVEL ANGLE (FIGURE H)

This tool can be set to bevel angles between 0° and 45°.

- Loosen the locking knob (14) to unlock the saw shoe.
- Move the saw shoe (6) into the desired position. The corresponding bevel angle can be read from the scale (15).
- Tighten the locking knob to lock the saw shoe in place.

## ATTACHING AND REMOVING THE BLADE

### REMOVING THE BLADE (PC15CSL) (FIGURE I & J)

- Keep the spindle lock button (5) depressed and rotate the blade until the spindle lock engages.
- Loosen and remove the blade retaining screw (16) by turning it counterclockwise using the wrench (10) supplied.
- Remove the outer washer (17).
- Remove the saw blade (7).

### ATTACHING THE BLADE (PC15CSL)

- Place the saw blade (7), on the spindle shaft, making sure that the arrow on the blade points in the same direction as the arrow on the tool.
- Fit the outer washer (17) on the spindle, with the raised part pointing away from the saw blade.
- Insert the blade retaining screw (16) into the hole.
- Keep the spindle lock button (5) depressed.
- Securely tighten the blade retaining screw by turning it clockwise using the wrench (10) supplied.

**NOTE:** The inner flange (18), should not be removed. If it is removed, replace it as shown in **figure J**.

### REMOVING THE BLADE (PC13CSL) (FIGURE K & J)

- Prevent spindle rotation by engaging the teeth of the saw blade into a piece of scrap wood.
- Loosen and remove the blade retaining screw (16) by turning it counterclockwise using the wrench (10) supplied.
- Remove the outer washer (17).
- Remove the saw blade (7).

**ATTACHING THE BLADE (PC13CSL)**

- Place the saw blade (7), on the spindle shaft, making sure that the arrow on the blade points in the same direction as the arrow on the tool.
- Fit the outer washer (17) on the spindle, with the raised part pointing away from the saw blade.
- Insert the blade retaining screw (16) into the hole.
- Prevent spindle rotation by engaging the teeth of the saw blade into a piece of scrap wood.
- Securely tighten the blade retaining screw by turning it clockwise using the wrench (10) supplied.

**NOTE: The inner flange (18), should not be removed. If it is removed, replace it as shown in figure J.**

**!WARNING:** To reduce the risk of serious personal injury, read, understand and follow all important safety warnings and instructions prior to using tool.

**GENERAL CUTS (IMPORTANT: READ SAFETY WARNINGS AND INSTRUCTIONS.)****GUARD AGAINST KICKBACK**

- With unit unplugged, follow all assembly, adjustment and set up instructions.  
Make sure lower guard operates. Select the proper blade for the material to be cut.
- Measure and mark work for cutting.
  - Support and secure work properly (See Safety Rules and Instructions).
  - Use appropriate and required safety equipment (See Safety Rules).
  - Secure and maintain work area (See Safety Rules).
  - With plug inserted and guard closed, make sure switch turns saw on and off.

**!WARNING:** It is important to support the work properly and to hold the saw firmly to prevent loss of control which could cause personal injury. **Figure E** illustrates recommended hand position.

**ATTACHING AND REMOVING THE RIP FENCE (INCLUDED WITH PC15CSL) FIG. L)**

The rip fence is used to saw in a straight line parallel to the edge of the workpiece.

**ATTACHING**

- Loosen the locking knob (19).
- Insert the rip fence (20) through the openings (21).
- Slide the rip fence into the desired position.
- Tighten the locking knob.

**REMOVING**

- Loosen the locking knob.
- Pull the rip fence out of the tool.

**NOTE:** If you do not have a proper fitting fence, use a straight edge guide in contact with the edge of the shoe to improve accuracy of cut and reduce the possibility of binding and kickback.

**OPERATION****SWITCH**

- To operate the tool, depress the trigger switch (1). The tool will continue to run as long as the trigger is depressed.
- To turn the tool off, release the trigger switch (1). There is no provision for locking the tool on, and the switch should never be locked on by any other means.

**KERF PLATE ADJUSTMENT (FIGURE M)**

The tool is equipped with a sight guide for straight cutting (22) and for 45° miter cutting (23).

- Be sure the saw is unplugged.
- Adjust the kerf plate as described below.
- Align the left edge of the guides (22) or (23) with the cutting line.

- Keep the kerf plate aligned with the cutting line while sawing.
- Work with the shoe pressed against the workpiece.

#### ADJUSTING THE KERF PLATE

- Plug in the saw.
- Make a test cut halfway through a piece of scrap wood.
- Withdraw the saw so the cutting line becomes visible.
- While keeping the saw in this position, unplug the saw and loosen the kerf plate on the saw shoe.
- Align the 0° mark (22) on the kerf plate with the cutting line. When adjusting for 45° miter cuts, align the 45° mark (23) on the kerf plate with the cutting line.
- Secure the kerf plate using the screw (24).

### LASER LINE

**⚠WARNING:** **LASER RADIATION. Never aim the beam at a workpiece with a reflective surface.** Bright shiny reflective sheet steel or similar reflective surfaces are not recommended for laser use. Reflective surfaces could direct the beam back toward the operator.

**⚠DANGER:** **LASER RADIATION. AVOID DIRECT EYE EXPOSURE. Do not stare into the laser light source. Never aim light at another person or object other than the workpiece.** Laser light can damage your eyes.

**⚠WARNING:** **DO NOT use tinted glasses to enhance the laser light.** Tinted glasses will reduce overall vision for the application and interfere with the normal operation of the tool.

#### LASER SWITCH (FIGURE N)

To turn the laser on, push forward on the laser on/off switch (2) to activate the laser line (25) as shown in **figure N**.

#### TO USE THE LASER LINE

- Mark the line that you intend to cut on the workpiece.
- Adjust the depth and angle of cut as required.
- Push the laser on/off switch (2) to the forward "ON" position and project the laser beam.
- Depress the saw trigger switch (1) and allow the blade to reach maximum speed.
- Place the saw shoe on the workpiece. Align the laser line with the mark on the workpiece and slowly push the saw forward keeping the laser line on the mark.
- Upon completion of the cut, release the trigger and allow the saw blade to come to a complete stop before switching off the laser.

### SAWING

**⚠WARNING:** To reduce the risk of serious personal injury, always hold the tool with both hands.

- Let the blade run freely for a few seconds before starting the cut.
- Apply only a gentle pressure to the tool while performing the cut.
- Work with the shoe pressed against the workpiece.

#### HINTS FOR OPTIMUM USE

- As some splintering along the line of cut on the top side of the workpiece cannot be avoided, cut on the side where splintering is acceptable.
- Where splintering is to be minimized, e.g. when cutting laminates, clamp a piece of plywood onto the top of the workpiece.

#### POCKET CUTTING (FIGURE O)

POCKET CUTTING IS USED TO CUT A HOLE IN A PIECE OF MATERIAL WITHOUT CUTTING FROM THE SIDE.

- Measure and mark work.

- Tilt saw forward and rest front of the shoe on material to be cut. Align so that cut will begin at the back of the drawn rectangle shown in **figure O**.
- Using the retracting lever, retract blade guard to an upward position, with the blade just clearing the material, start motor and gradually lower the saw into the material.

**▲WARNING:** As blade starts cutting the material, release the retracting lever immediately.

- Never tie the blade guard in a raised position.
- When the shoe rests flat on the material being cut, complete the cut in forward direction.
- Allow the blade to come to a complete stop before lifting saw from material.
- When starting each new cut, repeat the above steps.

## TROUBLESHOOTING

<b>Problem</b>	<b>Possible Cause</b>	<b>Possible Solution</b>
<ul style="list-style-type: none"> <li>• Unit will not start.</li> </ul>	<ul style="list-style-type: none"> <li>• Cord not plugged in.</li> <li>• Circuit fuse is blown.</li> </ul>	<ul style="list-style-type: none"> <li>• Plug tool into a working outlet.</li> <li>• Replace circuit fuse. (If the product repeatedly causes the circuit fuse to blow, discontinue use immediately and have it serviced at a Porter Cable service center or authorized servicer.)</li> </ul>
	<ul style="list-style-type: none"> <li>• Circuit breaker is tripped.</li> </ul>	<ul style="list-style-type: none"> <li>• Reset circuit breaker. (If the product repeatedly causes the circuit breaker to trip, discontinue use immediately and have it serviced at a Porter Cable service center or authorized servicer.)</li> </ul>
	<ul style="list-style-type: none"> <li>• Cord or switch is damaged.</li> </ul>	<ul style="list-style-type: none"> <li>• Have cord or switch replaced at a Porter Cable Service Center or Authorized Servicer</li> </ul>

For assistance with your product, visit our website at [www.porter-cable.com](http://www.porter-cable.com) for a list of service centers, or call the Porter-Cable Customer Care Center at (888) 848-5175.

## WRENCH STORAGE (FIGURE P)

The blade wrench (10) can be stored on the saw shoe as shown in **figure P**.

## MAINTENANCE

Use only mild soap and damp cloth to clean the tool. Never let any liquid get inside the tool; never immerse any part of the tool into a liquid.

## REPLACEMENT PARTS

Use only identical replacement parts. For a parts list or to order parts, visit our service website at [www.portercable.com](http://www.portercable.com). You can also order parts from your nearest Porter-Cable Factory Service Center or Porter-Cable Authorized Warranty Service Center. Or, you can call our Customer Care Center at (888) 848-5175.

## SERVICE AND REPAIRS

All quality tools will eventually require servicing and/or replacement of parts. For information about Porter-Cable, its factory service centers or authorized warranty service centers, visit our website at [www.portercable.com](http://www.portercable.com) or call our Customer Care Center at (888) 848-5175. All repairs made by our service centers are fully guaranteed against defective material and workmanship. We cannot guarantee repairs made or attempted by others.

You can also write to us for information at PORTER-CABLE, 4825 Highway 45 North, Jackson, Tennessee 38305 - Attention: Product Service. Be sure to include all of the information shown on the nameplate of your tool (model number, type, serial number, etc.).

## ACCESSORIES

**▲WARNING:** Since accessories, other than those offered by Porter-Cable, have not been tested with this product, use of such accessories with this tool could be hazardous. To reduce the risk of injury, only Porter-Cable recommended accessories should be used with this product.

A complete line of accessories is available from your Porter-Cable Factory Service

Center or a Porter-Cable Authorized Warranty Service Center. Please visit our Web Site [www.portercable.com](http://www.portercable.com) for a catalog or for the name of your nearest supplier.

### THREE YEAR LIMITED WARRANTY

PORTER-CABLE will repair or replace, without charge, any defects due to faulty materials or workmanship for three years from the date of purchase for tools (two years for batteries). This warranty does not cover part failure due to normal wear or tool abuse. For further detail of warranty coverage and warranty repair information, visit [www.portercable.com](http://www.portercable.com) or call (888) 848-5175. This warranty does not apply to accessories or damage caused where repairs have been made or attempted by others. This warranty gives you specific legal rights and you may have other rights which vary in certain states or provinces.

In addition to the warranty, PORTER-CABLE tools are covered by our:

**1 YEAR FREE SERVICE:** PORTER-CABLE will maintain the tool and replace worn parts caused by normal use, for free, any time during the first year after purchase.

**90 DAY MONEY BACK GUARANTEE:** If you are not completely satisfied with the performance of your PORTER-CABLE Power Tool for any reason, you can return it within 90 days from the date of purchase with a receipt for a full refund – no questions asked.

**LATIN AMERICA:** This warranty does not apply to products sold in Latin America. For products sold in Latin America, see country specific warranty information contained in the packaging, call the local company or see website for warranty information.

To register your tool for warranty service visit our website at [www.portercable.com](http://www.portercable.com).

### WARNING LABEL REPLACEMENT

If your warning labels become illegible or are missing, call (888) 848-5175 for a free replacement.

The following are PORTER-CABLE trademarks for one or more power tools and accessories: a gray and black color scheme; a "four point star" design; and three contrasting/outlined longitudinal stripes. The following are also trademarks for one or more Porter-Cable and Delta products: 2 BY 4®, 890™, Air America®, AIRBOSS™, Auto-Set®, B.O.S.S.®, Bammer®, Biesemeyer®, Builders Saw®, Charge Air®, Charge Air Pro®, CONTRACTOR SUPERDUTY®, Contractor's Saw®, Delta®, DELTA®, Delta Industrial®, DELTA MACHINERY & DESIGN™, Delta Shopmaster and Design®, Delta X5®, Deltacraft®, DELTAGRAM®, Do It. Feel It.®, DUAL LASERLOC AND DESIGN®, EASY AIR®, EASY AIR TO GO™, ENDURADIAMOND®, Ex-Cell®, Front Bevel Lock®, Get Yours While the Sun Shines®, Grip to Fit®, GRIPVAC™, GTF®, HICKORY WOODWORKING®, Homecraft®, HP FRAMER HIGH PRESSURE®, IMPACT SERIES™, Innovation That Works®, Jet-Lock®, Job Boss®, Kickstand®, LASERLOC®, LONG-LASTING WORK LIFE®, MAX FORCE™, MAX LIFE®, Micro-Set®, Mid-Lathe®, Monsoon®, MONSTER-CARBIDE™, Network®, OLDHAM®, Omnijig®, PC EDGE®, Performance Crew™, Performance Gear®, Pocket Cutter®, Porta-Band®, Porta-Plane®, Porter Cable®, Porter-Cable Professional Power Tools®, Powerback®, POZI-STOP™, Pressure Wave®, PRO 4000®, Proair®, Quicksand and Design®, Quickset II®, QUIET DRIVE TECHNOLOGY™, QUIET DRIVE TECHNOLOGY AND DESIGN™, Quik-Change®, QUIK-TILT®, RAPID-RELEASE™, RAZOR®, Redefining Performance®, Riptide®, Safe Guard II®, Sand Trap and Design®, Sanding Center®, Saw Boss®, Shop Boss®, Sidekick®, Site Boss®, Speed-Bloc®, Speedmatic®, Stair Ease®, Steel Driver Series®, SUPERDUTY®, T4 & DESIGN®, THE AMERICAN WOODSHOP®, THE PROFESSIONAL EDGE®, Thin-Line®, Tiger Saw®, TIGERCLAW®, TIGERCLAW AND DESIGN®, Torq-Buster®, TRU-MATCH®, T-Square®, Twinlaser®, Unifence®, Uniguard®, UNIRIP®, UNISAW®, UNITED STATES SAW®, Veri-Set®, Versa-Feeder®, VIPER®, VT™, VT RAZOR™, Water Driver®, WATER VROOM®, Waveform®, Whisper Series®, X5®, YOUR ACHIEVEMENT. OUR TOOLS.® Trademarks noted with ® are registered in the United States Patent and Trademark Office and may also be registered in other countries. Other trademarks may apply.

**PORTER  CABLE**

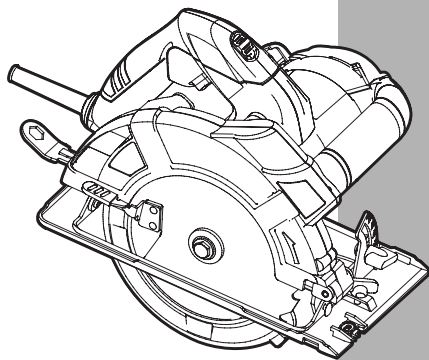
4825 Highway 45 North Jackson, Tennessee 38305 (888) 848-5175 [www.portercable.com](http://www.portercable.com)

#### TECHNICAL SPECIFICATIONS OF LASER:

Laser diode wavelength:	633-670nm (red color)
Laser Class:	IIIa
Operating temperature:	41°F (5°C) - 104°F (40°C)
Accuracy:	+/- 1.8mm at every 300 mm

# PORTER CABLE®

**Scie circulaire de 7 1/4 po  
(185 mm) avec laser**



**Manuel d'instructions**

[www.portercable.com](http://www.portercable.com)

**N° DE CATALOGUE  
PC13CSL  
PC15CSL**



## Avertissements de sécurité généraux pour les outils électriques

**▲AVERTISSEMENT:** Lire tous les avertissements de sécurité et toutes les directives. Le non-respect des avertissements et des directives pourrait se solder par un choc électrique, un incendie et/ou une blessure grave.

**Conserver tous les avertissements et toutes les directives pour un usage ultérieur.**

Le terme «outil électrique» cité dans les avertissements se rapporte à votre outil électrique à alimentation sur secteur (avec fil) ou par piles (sans fil).

### 1) Sécurité du lieu de travail

- a) **Tenir la zone de travail propre et bien éclairée.** *Les endroits sombres sont souvent des causes d'accidents.*
- b) **Ne pas faire fonctionner d'outils électriques dans un milieu déflagrant, soit en présence de liquides inflammables, de gaz ou de poussière.** *Les outils électriques produisent des étincelles qui peuvent enflammer la poussière ou les vapeurs.*
- c) **Éloigner les enfants et les curieux au moment d'utiliser un outil électrique.** *Une distraction pourrait vous en faire perdre la maîtrise.*

### 2) Sécurité en matière d'électricité

- a) **Les fiches des outils électriques doivent correspondre à la prise. Ne jamais modifier la fiche en aucune façon.** *Ne jamais utiliser de fiche d'adaptation avec un outil électrique mis à la terre. Le risque de choc électrique sera réduit par l'utilisation de fiches non modifiées correspondant à la prise.*
- b) **Éviter tout contact physique avec des surfaces mises à la terre comme des tuyaux, des radiateurs, des cuisinières et des réfrigérateurs.** *Le risque de choc électrique est plus élevé si votre corps est mis à la terre.*
- c) **Ne pas exposer les outils électriques à la pluie ou à d'autres conditions où il pourrait être mouillé.** *La pénétration de l'eau dans un outil électrique augmente le risque de choc électrique.*
- d) **Ne pas utiliser abusivement le cordon d'alimentation. Ne jamais utiliser le cordon pour transporter, tirer ou débrancher un outil électrique.** *Tenir le cordon éloigné de la chaleur, de l'huile, des bords tranchants ou des pièces mobiles. Les cordons endommagés ou emmêlés augmentent les risques de choc électrique.*
- e) **Pour l'utilisation d'un outil électrique à l'extérieur, se servir d'une rallonge convenant à une telle utilisation.** *L'utilisation d'une rallonge conçue pour l'extérieur réduit les risques de choc électrique.*
- f) **S'il est impossible d'éviter l'utilisation d'un outil électrique dans un endroit humide, brancher l'outil dans une prise ou sur un circuit d'alimentation dotés d'un disjoncteur de fuite à la terre (GFCI).** *L'utilisation de ce type de disjoncteur réduit les risques de choc électrique.*

### 3) Sécurité personnelle

- a) **Être vigilant, surveiller le travail effectué et faire preuve de jugement lorsqu'un outil électrique est utilisé. Ne pas utiliser d'outil électrique en cas de fatigue ou sous l'influence de drogues, d'alcool ou de médicaments.** *Un simple moment d'inattention en utilisant un outil électrique peut entraîner des blessures corporelles graves.*
- b) **Utiliser des équipements de protection individuelle. Toujours porter une protection oculaire.** *L'utilisation d'équipements de protection comme un masque antipoussière, des chaussures antidérapantes, un casque de sécurité ou des protecteurs auditifs lorsque la situation le requiert réduira les risques de blessures corporelles.*
- c) **Empêcher les démarrages intempestifs. S'assurer que l'interrupteur se trouve à la position d'arrêt avant de relier l'outil à une source d'alimentation et/ou d'insérer un bloc-piles, de ramasser ou de transporter l'outil.** *Transporter un outil électrique alors que le doigt repose sur l'interrupteur ou brancher un outil électrique dont l'interrupteur est à la position de marche risque de provoquer un accident.*

- d) **Retirer toute clé de réglage ou clé standard avant de démarrer l'outil.** *Une clé standard ou une clé de réglage attachée à une partie pivotante peut causer des blessures.*
- e) **Ne pas trop tendre les bras. Conserver son équilibre en tout temps.** *Cela permet de mieux maîtriser l'outil électrique dans les situations imprévues.*
- f) **S'habiller de manière appropriée. Ne pas porter de vêtements amples ni de bijoux. Garder les cheveux, les vêtements et les gants à l'écart des pièces mobiles.** *Les vêtements amples, les bijoux ou les cheveux longs risquent de rester coincés dans les pièces mobiles.*
- g) **Si des composants sont fournis pour le raccordement de dispositifs de dépoussiérage et de ramassage, s'assurer que ceux-ci sont bien raccordés et utilisés.** *L'utilisation d'un dispositif de dépoussiérage peut réduire les dangers engendrés par les poussières.*

#### 4) Utilisation et entretien d'un outil électrique

- a) **Ne pas forcer un outil électrique. Utiliser l'outil électrique approprié à l'application.** *L'outil électrique approprié effectuera un meilleur travail, de façon plus sûre et à la vitesse pour laquelle il a été conçu.*
- b) **Ne pas utiliser un outil électrique dont l'interrupteur est défectueux.** *Tout outil électrique dont l'interrupteur est défectueux est dangereux et doit être réparé.*
- c) **Débrancher la fiche du secteur ou le bloc-piles de l'outil électrique avant de faire tout réglage ou changement d'accessoire, ou avant de ranger l'outil électrique.** *Ces mesures préventives réduisent les risques de démarrage accidentel de l'outil électrique.*
- d) **Ranger les outils électriques hors de la portée des enfants, et ne permettre à aucune personne n'étant pas familière avec un outil électrique (ou son manuel d'instruction) d'utiliser ce dernier.** *Les outils électriques deviennent dangereux entre les mains d'utilisateurs inexpérimentés.*
- e) **Entretenir les outils électriques. Vérifier les pièces mobiles pour s'assurer qu'elles sont bien alignées et tournent librement, qu'elles sont en bon état et ne sont affectées par aucun trouble susceptible de nuire au bon fonctionnement de l'outil électrique. En cas de dommage, faire réparer l'outil électrique avant toute nouvelle utilisation.** *Beaucoup d'accidents sont causés par des outils électriques mal entretenus.*
- f) **S'assurer que les outils de coupe sont aiguisés et propres.** *Les outils de coupe bien entretenus et affûtés sont moins susceptibles de se coincer et sont plus faciles à contrôler.*
- g) **Utiliser l'outil électrique, les accessoires, les forets, etc. conformément aux présentes directives en tenant compte des conditions de travail et du travail à effectuer.** *L'utilisation d'un outil électrique pour toute opération autre que celle pour laquelle il a été conçu est dangereuse.*

#### 5) Utilisation et entretien du bloc-piles

- a) **Ne recharger l'outil qu'au moyen du chargeur précisé par le fabricant.** *L'utilisation d'un chargeur qui convient à un type de bloc-piles risque de provoquer un incendie s'il est utilisé avec un autre type de bloc-piles.*
- b) **Utiliser les outils électriques uniquement avec les blocs-piles conçus à cet effet.** *L'utilisation de tout autre bloc-piles risque de causer des blessures ou un incendie.*
- c) **Lorsque le bloc-piles n'est pas utilisé, le tenir éloigné des objets métalliques, notamment des trombones, de la monnaie, des clés, des clous, des vis, etc., qui peuvent établir une connexion entre les deux bornes.** *Le court-circuit des bornes du bloc-piles risque de provoquer des étincelles, des brûlures ou un incendie.*
- d) **En cas d'utilisation abusive, le liquide peut gicler hors du bloc-piles, éviter tout contact. Si un contact accidentel se produit, laver à grande eau. Si le liquide entre en contact avec les yeux, obtenir des soins médicaux.** *Le liquide qui gicle hors du bloc-piles peut provoquer des irritations ou des brûlures.*

#### 6) Réparation

- a) **Faire réparer l'outil électrique par un réparateur professionnel en n'utilisant que des pièces de rechange identiques.** *Cela permettra de maintenir une utilisation sécuritaire de l'outil électrique.*

## RÈGLES DE SÉCURITÉ SPÉCIFIQUES SUPPLÉMENTAIRES CONSIGNES DE SÉCURITÉ POUR TOUTES LES SCIES

### **▲ DANGER:**

- a. **Gardez les mains à distance de la zone de coupe et de la lame. Gardez une de vos mains sur la poignée auxiliaire ou sur le carter du moteur.** Si vous tenez la scie de vos deux mains, elles ne peuvent pas être coupées par la lame.
- b. **N'essayez pas de tenir le dessous de l'ouvrage.** Le protège-lame ne peut pas vous protéger de la lame en dessous de l'ouvrage.
- c. **Ajustez la profondeur de coupe à l'épaisseur de l'ouvrage.** Moins d'une dent entière de lame devrait être visible en dessous de l'ouvrage.
- d. **Ne tenez jamais dans vos mains ou sur vos genoux un ouvrage qui est en cours de coupe. Fixez votre ouvrage sur une plateforme stable.** Il est important de soutenir correctement l'ouvrage afin de minimiser l'exposition du corps à la lame, le risque de coincement de la lame ou la perte de contrôle de l'outil.
- e. **Tenez l'outil électrique par ses surfaces de préhension isolantes quand vous réalisez une opération au cours de laquelle l'outil de coupe pourrait entrer en contact avec des câbles dissimulés ou avec son propre cordon électrique.** Le contact avec un fil sous tension mettra également sous tension toutes les pièces métalliques exposées et donnera un choc électrique à l'utilisateur de l'outil.
- f. **Pendant les coupes de refente, utilisez toujours un guide de refente ou un guide à bord droit.** Ceci augmente toujours l'exactitude de la coupe et diminue la possibilité de coincement de la lame.
- g. **Utilisez toujours des lames dont l'alésage central est de la taille et de la forme appropriées (soit en forme de diamant, soit en forme de rond).** Les lames qui ne correspondent pas aux pièces de montage de la scie tourneront de façon excentrique, ce qui causera une perte de contrôle de l'outil.
- h. **Ne vous servez jamais de rondelles ou de boulons de lames qui sont endommagés ou inappropriés.** Les rondelles et le boulon de lame ont été conçus spécifiquement pour votre scie dans le but d'assurer une performance optimale et un fonctionnement sans danger.

### **CAUSES DES REBONDS ET MÉTHODES DE PRÉVENTION POUVANT ÊTRE UTILISÉES PAR L'UTILISATEUR :**

- Le rebond est une réaction subite (causée par une lame de scie pincée, coincée ou mal alignée) qui peut entraîner le soulèvement d'une scie non contrôlée, sa sortie de l'ouvrage et sa projection en direction de l'utilisateur.
- Si la lame est pincée ou coincée fortement pendant l'abaissement de la scie, la lame se cale et le moteur réagit en entraînant rapidement l'outil vers l'arrière dans la direction de l'opérateur.
- Si la lame se tord ou perd son alignement correct au cours de la coupe, les dents sur le bord arrière de la lame peuvent entamer la surface supérieure du bois, forçant ainsi la lame à sortir du trait de scie et à « sauter » vers l'arrière en direction de l'opérateur.

Le rebond est la conséquence d'une mauvaise utilisation de la scie et/ou de procédures ou de conditions incorrectes, et il peut être évité en prenant les précautions qui sont décrites ci-dessous :

- a. **Maintenez fermement la scie avec vos deux mains et positionnez vos bras de façon à résister aux forces de rebond.** Les forces de rebond peuvent être contrôlées par l'utilisateur quand les précautions appropriées sont prises.
- b. **En cas de coincement de la lame ou d'interruption d'une coupe pour une raison quelconque, relâchez la gâchette et tenez la scie immobile dans l'ouvrage jusqu'à ce que la lame se soit immobilisée complètement. Ne tentez jamais de retirer la scie de l'ouvrage ou de la tirer vers l'arrière pendant que la lame est en mouvement, car un rebond risquerait de se produire.** Évaluez la situation et prenez les mesures correctives nécessaires pour éliminer la cause du coincement de la lame.
- c. **Lorsque vous remettez une scie en marche quand l'ouvrage est présent, centrez la lame de scie dans le trait de scie et vérifiez que les dents de la lame ne sont pas engagées dans le matériau de l'ouvrage.** Si la lame de scie se coince, elle peut grimper hors de l'ouvrage ou rebondir sur celui-ci quand la scie est remise en marche.

- d. **Soutenez les panneaux de grande taille de façon à minimiser le risque de pincement et de rebond de la lame.** Les panneaux de grande taille ont tendance à s'affaisser sous leur propre poids. Des supports doivent être placés des deux côtés sous le panneau, à proximité de la ligne de coupe et à proximité du rebord du panneau.
- e. **N'utilisez pas de lame émoussée ou endommagée.** Des lames non aiguisées ou mal installées produisent un trait de scie étroit qui cause une friction excessive, le coincement de la lame et un effet de rebond.
- f. **Les leviers de réglage de la profondeur et de l'angle de coupe de la lame doivent être bien serrés et assujettis avant de réaliser une coupe.** Une modification du réglage de la lame pendant la coupe risque d'entraîner un coincement et un rebondissement de la lame.
- g. **Procédez avec une prudence supplémentaire quand vous réalisez une coupe « en plongée » dans des murs déjà en place ou dans des pièces sans issue.** La lame saillante peut couper des objets, et ceci peut entraîner un rebond.

## CONSIGNES DE SÉCURITÉ RELATIVES AU PROTÈGE-LAME INFÉRIEUR

- a. **Inspectez le protège-lame inférieur avant chaque utilisation pour vous assurer qu'il se ferme correctement. Ne faites pas fonctionner la scie si le protège-lame inférieur ne se déplace pas librement et ne se ferme pas instantanément.** Ne forcez jamais le protège-lame inférieur dans la position ouverte à l'aide d'un collier de serrage ou d'une attache. Il est possible que le protège-lame inférieur se torde en cas de chute accidentelle de la scie. Soulevez le protège-lame inférieur à l'aide de la poignée rétractable et assurez-vous qu'il se déplace sans problème et qu'il ne touche pas la lame ou une autre pièce, quel que soit l'angle ou la profondeur de la coupe.
- b. **Vérifiez le fonctionnement du ressort du protège-lame inférieur. Si le protège-lame inférieur et le ressort ne fonctionnent pas correctement, ils doivent être réparés avant l'emploi.** Le protège-lame inférieur peut parfois mal fonctionner à cause de pièces endommagées, d'accumulation de résine ou de débris.
- c. **Le protège-lame inférieur doit être rétracté à la main uniquement à l'occasion de coupes spéciales telles que les « coupes en plongée » ou les « coupes composées ».** Soulevez le protège-lame inférieur à l'aide la poignée rétractable et relâchez-le dès que la lame pénètre dans le matériau de l'ouvrage. Pour toute autre opération de sciage, le protège-lame inférieur doit fonctionner automatiquement.
- d. **Vérifiez toujours que le protège-lame inférieur couvre la lame avant de placez la scie sur un banc ou sur le sol.** Une lame non protégée qui tourne librement entraînera le mouvement de la scie en marche arrière, ce qui provoquera la coupe de tout ce qui se trouve sur sa trajectoire. Soyez conscient du temps nécessaire à la lame pour s'arrêter une fois que la gâchette est relâchée.

## DIRECTIVES DE SÉCURITÉ POUR LASERS

- ▲ DANGER:** rayonnement laser; éviter tout contact direct avec les yeux, des blessures graves aux yeux peuvent en résulter.
- Ne pas utiliser d'instruments optiques comme un télescope ou un théodolite pour observer le faisceau laser.
  - Positionner le laser de sorte à éviter tout contact accidentel avec les yeux.
  - Ne pas utiliser le laser près des enfants et ne pas laisser les enfants utiliser le laser/outil électrique.
  - Ne pas démonter l'appareil. Toute modification du produit peut accroître le risque de rayonnement laser.

- ▲ AVERTISSEMENT:** l'utilisation de commandes ou de réglages ou l'exécution de procédures autres que celles précisées dans la présente peut entraîner une exposition dangereuse au rayonnement laser.
- Ne pas régler le système laser lorsque le bloc-pile est inséré dans la scie circulaire.
  - Ne pas faire fonctionner l'outil dans un environnement explosif, soit en présence de liquides, gaz ou poussière inflammables.

- Ranger le produit inutilisé hors de la portée des enfants et des personnes sans expérience. Les lasers/outils électriques deviennent dangereux entre les mains d'utilisateurs inexpérimentés.
- N'utiliser que les accessoires conseillés par le fabricant pour le modèle de votre outil. Les accessoires adaptés à un laser/outil électrique donné peuvent être dangereux lorsqu'ils sont utilisés avec un autre laser/outil électrique.
- Les réparations et l'entretien de l'outil DOIVENT uniquement être effectués par un établissement de réparation professionnel. Toute réparation réalisée par du personnel non qualifié pourrait entraîner des blessures graves.
- Ne pas enlever ni altérer les étiquettes de mise en garde. Enlever les étiquettes accroît le risque d'exposition au rayonnement.
- Pour un usage intérieur seulement.
- Ce produit est conçu pour une utilisation dans une plage de températures variant de 5 °C (41 °F) à 40 °C (104 °F).

**⚠ AVERTISSEMENT:** certains outils électriques, tels que les sableuses, les scies, les meules, les perceuses ou certains autres outils de construction, peuvent produire de la poussière contenant des produits chimiques reconnus par l'État de la Californie comme étant susceptibles d'entraîner le cancer, des malformations congénitales ou pouvant être nocifs pour le système reproductif.

*Parmi ces produits chimiques, on retrouve :*

- le plomb dans les peintures à base de plomb,
- la silice cristalline dans les briques et le ciment et autres produits de maçonnerie,
- l'arsenic et le chrome dans le bois de sciage ayant subi un traitement chimique.

*Le risque associé à de telles expositions varie selon la fréquence avec laquelle on effectue ces travaux. Pour réduire l'exposition à de tels produits, il faut travailler dans un endroit bien aéré et utiliser le matériel de sécurité approprié, tel un masque anti-poussières spécialement conçu pour filtrer les particules microscopiques.*

- Éviter tout contact prolongé avec la poussière soulevée par cet outil ou autres outils électriques. Porter des vêtements de protection et nettoyer les parties exposées du corps avec de l'eau savonneuse. S'assurer de bien se protéger afin d'éviter d'absorber par la bouche, les yeux ou la peau des produits chimiques nocifs.

**⚠ AVERTISSEMENT:** Cet outil peut produire et répandre de la poussière susceptible de causer des dommages sérieux et permanents au système respiratoire.

Toujours utiliser un appareil respiratoire anti-poussières approuvé par le NIOSH ou l'OSHA. Diriger les particules dans le sens opposé du visage et du corps.

**⚠ AVERTISSEMENT:** Toujours porter une protection auditive appropriée conformément à la norme ANSI S12.6 (S3.19) lors de l'utilisation du produit. Dans certaines conditions et selon la durée d'utilisation, le bruit émis par ce produit pourrait contribuer à une perte auditive.

**⚠ AVERTISSEMENT:** TOUJOURS porter des lunettes de sécurité. Les lunettes de vue ne constituent PAS des lunettes de sécurité. Utiliser également un masque facial ou anti-poussière si l'opération de découpe génère de la poussière, TOUJOURS PORTER UN ÉQUIPEMENT DE PROTECTION HOMOLOGUÉ :

- protection oculaire conforme à la norme ANSI Z87.1 (CAN/CSA Z94.3);
- protection auditive ANSI S12.6 (S3.19);
- protection des voies respiratoires conformes aux normes NIOSH/OSHA/MSHA.

## LIGNES DIRECTRICES EN MATIÈRE DE SÉCURITÉ - DÉFINITIONS

Il est important que vous lisiez et compreniez ce mode d'emploi. Les informations qu'il contient concernent VOTRE SÉCURITÉ et visent à ÉVITER TOUT PROBLÈME. Les symboles ci-dessous servent à vous aider à reconnaître cette information.

**⚠ DANGER:** Indique une situation dangereuse imminente qui, si elle n'est pas évitée, causera la mort ou des graves blessures.

**⚠ AVERTISSEMENT:** Indique une situation potentiellement dangereuse qui, si elle n'est pas évitée, pourrait causer la mort ou de graves blessures.

**⚠ MISE EN GARDE:** Indique une situation potentiellement dangereuse qui, si elle n'est pas évitée, pourrait causer des blessures mineures ou modérées.

**MISE EN GARDE:** Utilisé sans le symbole d'alerte à la sécurité, indique une situation potentiellement dangereuse qui, si elle n'est pas évitée, peut résulter en des dommages à la propriété.

## SYMBOLES

- L'étiquette apposée sur votre outil pourrait comprendre les symboles suivants. Les symboles et leurs définitions sont indiqués ci-après :

V .....	volts	A.....	ampères
Hz .....	hertz	W .....	watts
min .....	minutes	~ .....	courant alternatif
— — — .....	courant continue	non .....	régime à vide
⚠ .....	Construction de classe I (mis à la terre)		
⊠ .....	Construction classe II	⊕ .....	borne de terre
⚠ .....	symbole d'alerte à la sécurité	min ou rpm .....	révolutions ou alternance par minute

L'étiquette apposée sur l'outil peut afficher les symboles suivants :

V.....	volts	mW.....	milliwatts
nm .....	longueur d'onde exprimée	IIIa .....	laser de classe IIIa

- En cas d'utilisation d'une rallonge, s'assurer que les valeurs nominales de la rallonge utilisée correspondent bien à celles de l'outil alimenté. L'usage d'une rallonge de calibre insuffisant causera une chute de tension entraînant perte de puissance et surchauffe. Le tableau ci-dessous illustre les calibres à utiliser selon la longueur de rallonge et l'intensité nominale indiquée sur la plaque signalétique. En cas de doutes, utiliser le calibre suivant. Plus le calibre est petit, plus la rallonge peut supporter de courant.

### Calibre de fil minimum recommandé pour les rallonges

#### Longueur totale de la rallonge

25 pi	50 pi	75 pi	100 pi	125 pi	150 pi	175 pi
7,6 m	15,2 m	22,9 m	30,5 m	38,1 m	45,7 m	53,3 m

#### Calibre AWG

18	18	16	16	14	14	12
----	----	----	----	----	----	----

## DESCRIPTION FONCTIONNELLE

### Figure A

- Interrupteur marche/arrêt
- Interrupteur marche/arrêt du laser
- Poignée principale
- Poignée secondaire
- Bouton de verrouillage (PC15CSL uniquement)
- Patin
- Lame de scie
- Pare-main de la lame
- 8a. Levier de rétraction du pare-main de la lame
- Laser

- 10. Clé de la lame de la scie
  - 11. Poignée d'ajustement de biseau
- Guide longitudinal non illustré (PC15CSL uniquement)

### SOUTIEN DE GRANDS PANNEAUX/FIXATION DE LA PIÈCE

Soutenir les grands panneaux pour réduire le risque de pincement et d'effet de rebond de la lame. Les grands panneaux s'affaissent sous leur propre poids, comme montré à la **figure B**. Installer des pièces d'appui sous le panneau, des deux côtés, près de la ligne de coupe et du bord du panneau (**figure C**).

Ne jamais tenir la pièce dans ses mains ou la placer de travers sur ses jambes pour la couper (**figure D**). Fixer solidement la pièce à une plateforme stable, comme montré à la **figure E**. Il est important de soutenir la pièce correctement afin de minimiser l'exposition des parties du corps à la lame, de coincer celle-ci ou de perdre la maîtrise de l'outil.

### MONTAGE/RÉGLAGE

**AVERTISSEMENT** toujours débrancher la scie de l'alimentation secteur avant chacune des opérations suivantes.

#### RÉGLAGE DE LA PROFONDEUR DE COUPE (FIG. F ET G)

La profondeur de la coupe doit être réglée selon l'épaisseur de la pièce.

- Desserrer le levier (12) pour déverrouiller le sabot de la scie. (**fig. F**).
  - Mettre le sabot de la scie (6) dans la position désirée. La profondeur de coupe correspondante peut être lue sur l'échelle (13).
  - Serrer le levier pour maintenir le sabot de la scie en place.
  - Régler l'ajustement de profondeur de la scie de telle sorte qu'une seule dent de la lame dépasse de la surface inférieure de l'ouvrage tel qu'illustré dans la **figure G**.
- Le réglage de la scie à la bonne profondeur de coupe réduit la friction de la lame à un minimum, enlève la sciure des dents de la lame, produit moins de chaleur, accélère le sciage et réduit les risques de rebond.

#### RÉGLAGE DE L'ANGLE DE BISEAU (FIG. H)

Cet outil peut être réglé sur des angles de biseau entre 0° et 45°.

- Desserrer le bouton de verrouillage (14) pour déverrouiller le sabot de la scie.
- Mettre le sabot de la scie (6) dans la position désirée. L'angle de biseau correspondant peut être lu sur l'échelle (15).
- Serrer le bouton de verrouillage pour maintenir le sabot de la scie en place.

#### FIXATION ET DÉPOSE DE LA LAME

##### DÉPOSE DE LA LAME (PC15CSL) (FIG. I ET J)

- Maintenir le bouton de verrouillage de broche (5) appuyé et faire pivoter la lame jusqu'à ce que le verrouillage de la broche s'engage.
- Desserrer et enlever la vis qui retient la lame (16) en la tournant dans le sens inverse des aiguilles d'une montre à l'aide de la clé (10) fournie.
- Retirer la rondelle de fixation extérieure (17).
- Retirer la lame de la scie (7).

##### ASSEMBLAGE DE LA LAME (PC15CSL)

- Placer la lame de la scie (7) sur l'arbre de la broche en s'assurant que la flèche sur la lame indique la même direction que la flèche figurant sur l'outil.
- Ajuster la rondelle de fixation (17) sur la broche, avec la partie élevée pointant dans une direction opposée à la lame de la scie.
- Insérer la vis de rétention de la lame (16) dans le trou.
- Maintenir le bouton de verrouillage de la broche (5) enfoncé.
- Bien serrer la vis de rétention de la lame en la tournant dans le sens des aiguilles d'une montre à l'aide de la clé (10) fournie.

**REMARQUE : il ne faut pas retirer la bride interne (18). Si elle est enlevée, la remettre en place comme dans la figure J.**

**DÉPOSE DE LA LAME (PC13CSL) (FIG. K ET J)**

- Empêcher la broche de pivoter en engageant la dent de la lame de la scie dans un déchet de découpe.
- Desserrer et enlever la vis qui retient la lame (16) en la tournant dans le sens inverse des aiguilles d'une montre à l'aide de la clé (10) fournie.
- Retirer la rondelle de fixation extérieure (17).
- Retirer la lame de la scie (7).

**ASSEMBLAGE DE LA LAME (PC13CSL)**

- Placer la lame de la scie (7) sur l'arbre de la broche en s'assurant que la flèche sur la lame indique la même direction que la flèche figurant sur l'outil.
- Ajuster la rondelle de fixation (17) sur la broche, avec la partie élevée pointant dans une direction opposée à la lame de la scie.
- Insérer la vis de rétention de la lame (16) dans le trou.
- Empêcher la broche de pivoter en engageant la dent de la lame de la scie dans un déchet de découpe.
- Bien serrer la vis de rétention de la lame en la tournant dans le sens des aiguilles d'une montre à l'aide de la clé (10) fournie.

**REMARQUE : il ne faut pas retirer la bride interne (18). Si elle est enlevée, la remettre en place comme dans la figure J.**

**⚠ AVERTISSEMENT :** pour réduire le risque de blessure personnelle grave, lire, comprendre et suivre tous les avertissements de sécurité importants et toutes les directives avant d'utiliser l'outil.

**DÉCOUPES GÉNÉRALES (IMPORTANT : LIRE LES AVERTISSEMENTS ET CONSIGNES DE SÉCURITÉ)****PROTÉGEZ-VOUS DES EFFETS DE REBOND**

Sans brancher l'unité, suivre toutes les consignes d'assemblage, de réglage et de configuration.

S'assurer que le pare-main inférieur fonctionne. Sélectionner la lame appropriée au matériau à découper.

- Mesurer et marquer le bois à découper.
- Soutenir et fixer correctement l'ouvrage (voir Règles de sécurité et instructions).
- Utiliser le matériel de sécurité approprié et requis (voir Règles de sécurité).
- Sécuriser et entretenir la zone de travail (voir Règles de sécurité).
- Après avoir inséré la fiche et fermé le pare-main, s'assurer que l'interrupteur fonctionne.

**⚠ AVERTISSEMENT :** pour éviter toute blessure corporelle, soutenir correctement la pièce et tenir fermement la scie pour empêcher une perte de maîtrise de l'outil. La **Figure D** illustre la position de main recommandée.

**FIXER ET ENLEVER LE GUIDE LONGITUDINAL (FOURNI AVEC LE MODÈLE PC15CSL) (FIG. L)**

Le guide longitudinal est utilisé pour scier en ligne droite parallèlement au bord de la pièce à travailler.

**FIXATION**

- Desserrer la poignée de blocage (19).
- Insérer le guide longitudinal (20) dans les ouvertures (21).
- Faire glisser le guide longitudinal dans la position souhaitée.
- Resserrer la poignée de verrouillage.

**RETRAIT DE LA FRAISE**

- Desserrer la poignée de blocage.
- Retirer le guide longitudinal de l'outil.

**REMARQUE :** si vous n'avez pas de guide longitudinal approprié, utilisez une règle droite en contact avec l'arête du sabot de la scie pour améliorer la précision de la découpe et réduire la possibilité d'accrochage et d'effet de rebond.



## FONCTIONNEMENT

### INTERRUPTEUR

- Pour faire fonctionner l'outil, enfoncer la détente (1). L'outil continuera de fonctionner tant que la détente sera enfoncée.
- Pour l'éteindre, relâcher simplement la détente. Il n'est pas possible de bloquer l'outil en positionnement de marche, et la détente ne doit jamais être bloquée par aucun moyen.

### RÉGLAGE DE LA PLAQUE DE TRAIT DE SCIE (FIG. M)

L'outil est équipé d'un guide pour des coupes droites (22) et pour des coupes à onglet de 45° (23).

- S'assurer que la scie est débranchée.
- Régler la plaque de trait de scie comme indiqué ci-dessous.
- Aligner le bord gauche des guides (22) ou (23) sur la ligne de coupe.
- La plaque de trait doit rester alignée sur la ligne de coupe pendant que vous sciez.
- Travailler en appuyant le patin sur la pièce.

### RÉGLAGE DE LA PLAQUE DE RETRAIT

- Brancher la scie.
- Faire un test de coupe sur un déchet de découpe.
- Retirer la scie pour que la ligne de coupe soit visible.
- Tout en maintenant la scie dans cette position, débrancher la scie et desserrer la plaque de retrait du sabot de la scie.
- Aligner le repère 0° (22) sur la plaque de retrait avec la ligne de découpe. Lors d'un réglage pour des coupes à onglets de 45°, aligner le repère 45° (23) sur la plaque de retrait avec la ligne de coupe.
- Fixer la plaque de retrait avec la vis (24).

### TRAIT LASER

**⚠ AVERTISSEMENT :** AVERTISSEMENT : RAYONNEMENT LASER. Ne jamais diriger le faisceau vers un ouvrage comportant une surface réfléchissante. Les feuilles d'acier brillant et réfléchissant et les autres surfaces réfléchissantes similaires ne sont pas recommandées pour une utilisation avec le laser. Les surfaces réfléchissantes peuvent rediriger le faisceau vers l'opérateur.

**⚠ DANGER :** RAYONNEMENT LASER. ÉVITER TOUT CONTACT DIRECT AVEC LES YEUX. Ne pas regarder vers la source de lumière du laser. Ne jamais diriger la lumière vers une autre personne ou vers tout autre objet que votre ouvrage. La lumière du laser peut endommager les yeux.

**⚠ AVERTISSEMENT :** NE PAS UTILISER de verres teintés pour augmenter la lumière du laser. Les verres teintés réduisent la vision globale de l'application et interfèrent avec le fonctionnement normal de l'outil.

### INTERRUPTEUR DU LASER (FIG. N)

Pour allumer le laser, pousser l'interrupteur marche/arrêt (2) du laser vers l'avant pour activer le trait laser (25) comme illustré à la figure N.

### POUR UTILISER LE TRAIT LASER

- Marquer sur l'ouvrage la ligne que vous souhaitez découper.
- Régler comme nécessaire la profondeur et l'angle de découpe.
- Mettre l'interrupteur du laser (2) en position « MARCHE » et projeter le faisceau du laser.
- Appuyer sur la détente de la scie (1) et laisser la lame atteindre son régime maximum.
- Placer le sabot de la scie sur l'ouvrage. Aligner la raie laser avec la marque de l'ouvrage et pousser lentement la scie vers l'avant tout en laissant la raie laser sur la marque.
- Après avoir terminé la découpe, relâcher la détente et laisser la lame de scie s'arrêter complètement avant d'éteindre le laser.

**SCIAGE**

**⚠ AVERTISSEMENT:** pour réduire le risque de blessure, toujours tenir l'outil des deux mains.

- Laisser la lame fonctionner librement quelques secondes avant de commencer la coupe.
- Appuyer légèrement sur l'outil tout en effectuant la coupe.
- Travailler en appuyant le patin sur la pièce.

**CONSEILS POUR UNE UTILISATION OPTIMALE**

- Comme il est impossible d'éviter des éclats le long de la ligne de coupe sur la partie supérieure de l'ouvrage, couper sur le côté où les éclats sont tolérés.
- Lorsque les éclats doivent être limités, par exemple lors de la coupe de stratifiés, fixer une planche de contreplaqué sur la partie supérieure de l'ouvrage.

**DÉCOUPE EN POCHE (FIG. O)**

LA DÉCOUPE EN POCHE EST UTILISÉE POUR DÉCOUPER UN TROU DANS UN MORCEAU DE MATÉRIAU SANS DÉCOUPER À PARTIR DU BORD.

- Mesurer et marquer l'ouvrage.
- Incliner la scie vers l'avant et reposer l'avant du sabot de la scie sur le matériau à couper. Aligner la scie de façon à ce que la découpe commence à l'arrière du rectangle dessiné, comme indiqué sur la **figure O**.
- En utilisant le levier de rétraction, rétracter le pare-main de la lame en position verticale, avec la lame légèrement au-dessus de matériau, lancer le moteur et abaisser progressivement la scie dans le matériau.

**⚠ AVERTISSEMENT:** lorsque la lame commence à couper le matériau, relâcher immédiatement le levier de rétraction.

**DÉPANNAGE****Problème**

- L'appareil refuse de démarrer.

**Cause possible**

- Cordon d'alimentation non branché.
- Le fusible du circuit est grillé.
- Le disjoncteur est déclenché.
- Le cordon d'alimentation ou la prise de courant est endommagé(e).

**Solution possible**

- Brancher l'outil dans une prise qui fonctionne.
- Remplacer le fusible du circuit. (Si le produit fait griller de façon répétée le fusible du circuit, arrêter immédiatement d'utiliser le produit et le faire réparer dans un centre de réparation Porter Cable ou un centre de réparation autorisé.)
- Remettre le disjoncteur à zéro. (Si le produit fait déclencher de façon répétée le disjoncteur, arrêter immédiatement d'utiliser le produit et le faire réparer dans un centre de réparation Porter Cable ou un centre de réparation autorisé.)
- Faire remplacer le cordon ou l'interrupteur au centre de réparation Porter Cable ou à un centre de réparation autorisé.

Pour de l'aide avec l'outil, consulter notre site Web [www.portercable.com](http://www.portercable.com) pour l'emplacement du centre de réparation le plus près ou communiquer avec l'assistance Porter Cable au **(888)848-5175**.

- Ne jamais fixer le protège-lame en position élevée.
- Lorsque le sabot de la scie repose à plat sur le matériau découpé, terminer la découpe vers l'avant.
- Laisser la lame s'arrêter complètement avant de lever la scie du matériau.
- Lors de l'entame de chaque nouvelle découpe, répéter la procédure ci-dessus.

### RANGEMENT DE LA CLÉ (FIG. P)

La clé de lame (10) peut être rangée dans le sabot de la scie comme illustré à la figure P.

### ENTRETIEN

N'utiliser qu'un détergent doux et un chiffon humide pour nettoyer l'appareil. Ne jamais laisser de liquide pénétrer dans l'appareil et n'immerger aucune partie de l'appareil dans un liquide.

### PIÈCES DE RECHANGE

Utiliser seulement des pièces de rechange identiques. Pour obtenir une liste des pièces de rechange ou pour en commander, consulter le site Web [www.portercable.com](http://www.portercable.com). Il est également possible de commander des pièces au centre de réparation de l'usine Porter-Cable et au centre de réparation sous garantie autorisé Porter-Cable le plus près. Ou composer le 1-888-848-5175 pour le service à la clientèle.

### ENTRETIEN ET RÉPARATION

Ce produit n'est pas réparable par l'utilisateur. Aucune pièce à l'intérieur du chargeur ne peut être réparée par l'utilisateur. Pour éviter tout dommage aux composants internes sensibles à l'électricité statique, faire effectuer toute réparation par un centre de réparation autorisé. Pour de plus amples renseignements à propos de Porter-Cable, ses centres de réparation en usine ou ses centres de réparation sous garantie autorisés, visiter notre site Web au [www.portercable.com](http://www.portercable.com) ou communiquer avec notre centre de service à la clientèle en composant le 888-848-5175. Toutes les réparations effectuées dans nos centres de réparation sont entièrement garanties contre les défauts de matériaux et de main-d'oeuvre. Nous ne pouvons pas garantir les réparations effectuées en partie ou totalement par d'autres.

Pour de plus amples renseignements par courrier, écrire à PORTER-CABLE, 4825 Highway 45 North, Jackson, Tennessee 38305, É.-U. - à l'attention de : Product Service. S'assurer d'indiquer toutes les informations figurant sur la plaque signalétique de l'outil (numéro du modèle, type, numéro de série, etc.).

### ACCESSOIRES

**AVERTISSEMENT** Puisque les accessoires autres que ceux offerts par Porter-Cable n'ont pas été testés avec ce produit, l'utilisation de ceux-ci avec l'outil pourrait s'avérer dangereuse. Pour réduire le risque de blessures, utiliser exclusivement les accessoires Porter-Cable recommandés avec le produit.

Les centres de réparation de l'usine Porter-Cable ou les centres de réparation sous garantie autorisés Porter-Cable sont en mesure de vous fournir la gamme complète d'accessoires. Consulter le site Web [www.portercable.com](http://www.portercable.com) pour obtenir un catalogue ou le nom du fournisseur local.

### GARANTIE LIMITÉE DE TROIS ANS

PORTER-CABLE réparera ou remplacera gratuitement tous les outils défectueux présentant des défauts de matériau ou de fabrication pendant trois ans à compter de la date d'achat [garantie de deux ans pour les blocs-piles]. Cette garantie ne couvre pas des défaillances de pièce dues à une usure normale ou à une mauvaise utilisation de l'outil. Pour plus de détails relatifs à la couverture de la garantie et aux réparations sous garantie, visiter le site [www.portercable.com](http://www.portercable.com) ou composer le 888-848-5175. Cette garantie ne s'applique pas aux accessoires ni aux dommages causés par des réparations réalisées ou tentées par des tiers. Cette garantie vous accorde des droits légaux spécifiques et il est possible que vous ayez d'autres droits qui varient d'un État ou d'une province à l'autre.

En plus de la garantie, les outils PORTER-CABLE sont couverts par notre :

**SERVICE D'ENTRETIEN GRATUIT D'UN (1) AN :** PORTER-CABLE entretiendra l'outil et remplacera les pièces usées par une utilisation normale, et ce, gratuitement et à tout instant pendant la première année à compter de la date d'achat.

**GARANTIE DE REMBOURSEMENT DE 90 JOURS :** Si l'utilisateur n'est pas entièrement satisfait des performances de son outil électrique PORTER-CABLE pour une raison quelconque, il peut le retourner accompagné du reçu dans les 90 jours suivant la date d'achat, et nous le lui rembourserons entièrement - sans poser de question.

**AMÉRIQUE LATINE :** cette garantie ne s'applique pas aux produits vendus en Amérique latine. Pour ceux-ci, veuillez consulter les informations relatives à la garantie spécifique présente dans l'emballage, appeler l'entreprise locale ou consulter le site Web pour les informations relatives à cette garantie.

Pour enregistrer l'outil en vue d'obtenir un service de garantie, consulter notre site Web au [www.portercable.com](http://www.portercable.com).

#### REMPLACEMENT DES ÉTIQUETTES D'AVERTISSEMENT

Si vos étiquettes d'avertissement sont illisibles ou manquantes, contactez le 888-848-5175 pour en obtenir le remplacement gratuit.

Les éléments ci-dessous sont des marques de commerce des outils et des accessoires de PORTER-CABLE : un agencement de couleurs grise et noire; un motif d' « étoile à quatre pointes » et trois bandes longitudinales contrastantes/à contours. Les marques suivantes sont également des marques de commerce se rapportant à un ou plusieurs produits Porter-Cable ou Delta : 2 BY 4®, 890™, Air America®, AIRBOSS™, Auto-Set®, B.O.S.S.®, Bammer®, Biesemeyer®, Builders Saw®, Charge Air®, Charge Air Pro®, CONTRACTOR SUPERDUTY®, Contractor's Saw®, Delta®, DELTA®, Delta Industrial®, DELTA MACHINERY & DESIGN™, Delta Shopmaster and Design®, Delta X5®, Deltacraft®, DELTAGRAM®, Do It. Feel It.®, DUAL LASERLOC AND DESIGN®, EASY AIR®, EASY AIR TO GO™, ENDURADIAMOND®, Ex-Cell®, Front Bevel Lock®, Get Yours While the Sun Shines®, Grip to Fit®, GRIPVAC™, GTF®, HICKORY WOODWORKING®, Homecraft®, HP FRAMER HIGH PRESSURE®, IMPACT SERIES™, Innovation That Works®, Jet-Lock®, Job Boss®, Kickstand®, LASERLOC®, LONG-LASTING WORK LIFE®, MAX FORCE™, MAX LIFE®, Micro-Set®, Midi-Lathe®, Monsoon®, MONSTER-CARBIDE™, Network®, OLDHAM®, Omrijig®, PC EDGE®, Performance Crew™, Performance Gear®, Pocket Cutter®, Porta-Band®, Porta-Plane®, Porter Cable®, Porter-Cable Professional Power Tools®, Powerback®, POZI-STOP™, Pressure Wave®, PRO 4000®, Proair®, Quicksand and Design®, Quickset II®, QUIET DRIVE TECHNOLOGY™, QUIET DRIVE TECHNOLOGY AND DESIGN™, Quik-Change®, QUIK-TILT®, RAPID-RELEASE™, RAZOR®, Redefining Performance®, Riptide®, Safe Guard II®, Sand Trap and Design®, Sanding Center®, Saw Boss®, Shop Boss®, Sidekick®, Site Boss®, Speed-Bloc®, Speedmatic®, Stair Ease®, Steel Driver Series®, SUPERDUTY™, T4 & DESIGN®, THE AMERICAN WOODSHOP®, THE PROFESSIONAL EDGE®, Thin-Line®, Tiger Saw®, TIGERCLAW®, TIGERCLAW AND DESIGN®, Torq-Buster®, TRU-MATCH®, T-Square®, Twinlaser®, Unifence®, Uniguard®, UNIRIP®, UNISAW®, UNITED STATES SAW®, Veri-Set®, Versa-Feeder®, VIPER®, VT™, VT RAZOR™, Water Driver®, WATER VROOM®, Waveform®, Whisper Series®, X5®, YOUR ACHIEVEMENT. OUR TOOLS.®

Les marques de commerce suivies du symbole ® sont enregistrées auprès du United States Patent and Trademark Office et peuvent être enregistrées dans d'autres pays. D'autres marques de commerce peuvent également être applicables.

#### PORTER CABLE

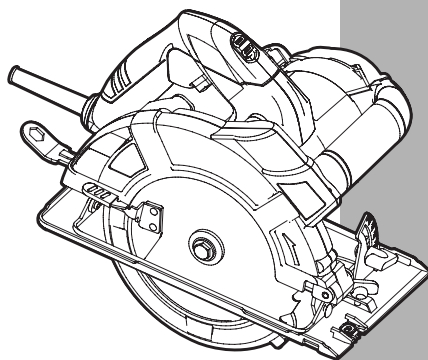
4825 Highway 45 North  
Jackson, Tennessee 38305  
(888) 848-5175  
[www.portercable.com](http://www.portercable.com)

#### CARACTÉRISTIQUES TECHNIQUES DU LASER :

Longueur d'onde de la diode du laser :	633-670nm (couleur rouge)
Classe du laser :	IIIa
Température de fonctionnement :	5 °C (41 °F) - 40 °C (104 °F)
Précision :	+/- 1,8 mm à chaque 300 mm

# PORTER CABLE®

**Sierra circular con láser  
185 mm (7-1/4 pulgadas)**



**Manual de instrucciones**

[www.portercable.com](http://www.portercable.com)

INSTRUCTIVO DE OPERACIÓN,  
CENTROS DE SERVICIO Y PÓLIZA DE  
GARANTÍA.

**⚠ ADVERTENCIA:** LÉASE ESTE  
INSTRUCTIVO ANTES DE USAR EL  
PRODUCTO.

**CATÁLOGO N°  
PC13CSL  
PC15CSL**

## Advertencias generales de seguridad para herramientas eléctricas

**⚠ ADVERTENCIA:** Lea todas las advertencias de seguridad e instrucciones. El incumplimiento de las advertencias e instrucciones puede provocar descargas eléctricas, incendios o lesiones graves.

### Conserve todas las advertencias e instrucciones para futuras consultas.

El término "herramienta eléctrica" incluido en las advertencias hace referencia a las herramientas eléctricas operadas con corriente (con cable eléctrico) o a las herramientas eléctricas operadas con baterías (inalámbricas).

#### 1) Seguridad en el área de trabajo

- a) **Mantenga el área de trabajo limpia y bien iluminada.** *Las áreas abarrotadas y oscuras propician accidentes.*
- b) **No opere herramientas eléctricas en atmósferas explosivas, como ambientes donde se encuentran líquidos, gases o polvo inflamables.** *Las herramientas eléctricas originan chispas que pueden encender el polvo o los vapores.*
- c) **Mantenga a los niños y espectadores alejados de la herramienta eléctrica en funcionamiento.** *Las distracciones pueden provocar la pérdida de control.*

#### 2) Seguridad eléctrica

- a) **Los enchufes de la herramienta eléctrica deben adaptarse al tomacorriente. Nunca modifique el enchufe de ninguna manera. No utilice ningún enchufe adaptador con herramientas eléctricas con conexión a tierra.** *Los enchufes no modificados y que se adaptan a los tomacorrientes reducirán el riesgo de descarga eléctrica.*
- b) **Evite el contacto corporal con superficies puestas a tierra, como por ejemplo tuberías, radiadores, rangos y refrigeradores.** *Existe mayor riesgo de descarga eléctrica si su cuerpo está puesto a tierra.*
- c) **No exponga las herramientas eléctricas a la lluvia o a condiciones de humedad.** *Si ingresa agua a una herramienta eléctrica, aumentará el riesgo de descarga eléctrica.*
- d) **No maltrate al cable. Nunca utilice el cable para transportar, tirar o desenchufar la herramienta eléctrica. Mantenga el cable lejos del calor, aceite, bordes afilados o piezas móviles.** *Los cables dañados o enredados aumentan el riesgo de descarga eléctrica.*
- e) **Al operar una herramienta eléctrica en el exterior, utilice un cable prolongador adecuado para tal uso.** *Utilice un cable adecuado para uso en exteriores a fin de reducir el riesgo de descarga eléctrica.*
- f) **Si el uso de una herramienta eléctrica en un lugar húmedo es imposible de evitar, utilice un suministro protegido con un interruptor de circuito por falla a tierra (GFCI).** *El uso de un GFCI reduce el riesgo de descargas eléctricas.*

#### 3) Seguridad personal

- a) **Permanezca alerta, controle lo que está haciendo y utilice el sentido común cuando emplee una herramienta eléctrica.** *No utilice una herramienta eléctrica si está cansado o bajo el efecto de drogas, alcohol o medicamentos. Un momento de descuido mientras se opera una herramienta eléctrica puede provocar lesiones personales graves.*
- b) **Utilice equipos de protección personal. Siempre utilice protección para los ojos.** *En las condiciones adecuadas, el uso de equipos de protección, como máscaras para polvo, calzado de seguridad antideslizante, cascos o protección auditiva, reducirá las lesiones personales.*
- c) **Evite el encendido por accidente. Asegúrese de que el interruptor esté en la posición de apagado antes de conectarlo a la fuente de energía o paquete de baterías, o antes de levantar o transportar la herramienta.** *Transportar herramientas eléctricas con el dedo apoyado en el interruptor o enchufar herramientas eléctricas con el interruptor en la posición de encendido puede propiciar accidentes.*
- d) **Retire las clavijas de ajuste o llaves de tuercas antes de encender la herramienta eléctrica.** *Una llave de tuercas o una clavija de ajuste que se deje conectada a una pieza giratoria de la herramienta eléctrica pueden provocar lesiones personales.*

- e) **No se estire. Conserve el equilibrio adecuado y manténgase parado correctamente en todo momento.** *Esto permite un mejor control de la herramienta eléctrica en situaciones inesperadas.*
- f) **Use la vestimenta adecuada. No use ropas holgadas ni joyas. Mantenga el cabello, la ropa y los guantes alejados de las piezas en movimiento.** *Las ropas holgadas, las joyas o el cabello largo pueden quedar atrapados en las piezas en movimiento.*
- g) **Si se suministran dispositivos para la conexión de accesorios con fines de recolección y extracción de polvo, asegúrese de que estén conectados y que se utilicen correctamente.** *El uso de dispositivos de recolección de polvo puede reducir los peligros relacionados con el polvo.*
- 4) **Uso y mantenimiento de la herramienta eléctrica**
- a) **No fuerce la herramienta eléctrica. Utilice la herramienta eléctrica correcta para el trabajo que realizará.** *La herramienta eléctrica correcta hará el trabajo mejor y más seguro a la velocidad para la que fue diseñada.*
- b) **No utilice la herramienta eléctrica si no puede encenderla o apagarla con el interruptor.** *Toda herramienta eléctrica que no puede ser controlada mediante el interruptor es peligrosa y debe ser reparada.*
- c) **Desconecte el enchufe de la fuente de energía y/o el paquete de baterías de la herramienta eléctrica antes de realizar ajustes, cambiar accesorios o almacenar herramientas eléctricas.** *Estas medidas de seguridad preventivas reducen el riesgo de encender la herramienta eléctrica en forma accidental.*
- d) **Guarde las herramientas eléctricas que no están en uso fuera del alcance de los niños y no permite que otras personas no familiarizadas con ella o con estas instrucciones operen la herramienta.** *Las herramientas eléctricas son peligrosas en las manos de usuarios no entrenados.*
- e) **Mantenimiento de las herramientas eléctricas. Controle que no haya piezas móviles mal alineadas o trabadas, piezas rotas y toda otra situación que pueda afectar el funcionamiento de las herramientas eléctricas. Si encuentra daños, haga reparar la herramienta eléctrica antes de utilizarla.** *Se producen muchos accidentes a causa de las herramientas eléctricas que carecen de un mantenimiento adecuado.*
- f) **Mantenga las herramientas de corte afiladas y limpias.** *Las herramientas de corte con mantenimiento adecuado, con los bordes de corte afilados son menos propensas a trabarse y son más fáciles de controlar.*
- g) **Utilice la herramienta eléctrica, los accesorios y las brocas de la herramienta, etc. de acuerdo con estas instrucciones y teniendo en cuenta las condiciones de trabajo y el trabajo que debe realizarse.** *El uso de la herramienta eléctrica para operaciones diferentes de aquéllas para las que fue diseñada podría originar una situación peligrosa.*
- 5) **Uso y mantenimiento de la herramienta con baterías**
- a) **Recargue solamente con el cargador especificado por el fabricante.** *Un cargador adecuado para un tipo de paquete de baterías puede originar riesgo de incendio si se utiliza con otro paquete de baterías.*
- b) **Utilice herramientas eléctricas sólo con paquetes de baterías específicamente diseñados.** *El uso de cualquier otro paquete de baterías puede producir riesgo de incendio y lesiones.*
- c) **Cuando no utilice el paquete de baterías, manténgalo lejos de otros objetos metálicos como sujetapapeles, monedas, llaves, clavos, tornillos u otros objetos metálicos pequeños que puedan realizar una conexión desde un terminal al otro.** *Los cortocircuitos en los terminales de la batería pueden provocar quemaduras o incendio.*
- d) **En condiciones abusivas, el líquido puede ser expulsado de la batería. Evite su contacto. Si entra en contacto accidentalmente, enjuague con agua. Si el líquido entra en contacto con sus ojos, busque atención médica.** *El líquido expulsado de la batería puede provocar irritación o quemaduras.*
- 6) **Mantenimiento**
- a) **Haga que una persona de reparaciones calificada realice el mantenimiento de su herramienta eléctrica y utilice piezas de repuesto idénticas solamente.** *Esto garantizará la seguridad de la herramienta eléctrica.*

## NORMAS DE SEGURIDAD ESPECÍFICAS ADICIONALES

### INSTRUCCIONES DE SEGURIDAD PARA TODAS LAS SIERRAS

#### **PELIGRO:**

- a. **Mantenga las manos alejadas del área de corte y de la hoja. Mantenga la segunda mano en el mango auxiliar o en la carcasa del motor.** Si las dos manos están sujetando la sierra, no pueden ser cortadas por la hoja.
- b. **No ponga las manos debajo de la pieza de trabajo.** El protector no puede protegerle de la hoja debajo de la pieza de trabajo.
- c. **Ajuste la profundidad de corte al grosor de la pieza de trabajo.** Menos de un diente completo de los dientes de la hoja debe ser visible debajo de la pieza de trabajo.
- d. **No sujete nunca la pieza que esté cortando en las manos o atravesada sobre una pierna. Sujete firmemente la pieza de trabajo a una plataforma estable.** Es importante soportar apropiadamente la pieza de trabajo para minimizar la exposición del cuerpo, el atasco de la hoja o la pérdida de control.
- e. **Sujete la herramienta mecánica por las superficies de agarre con aislamiento cuando realice una operación en la que la herramienta de corte podría entrar en contacto con cables ocultos o con su propio cable de alimentación.** El contacto con un cable "con corriente" hará que las partes metálicas de la herramienta mecánica que estén al descubierto también "lleven corriente", lo cual causará descargas al operador.
- f. **Cuando corte al hilo, utilice siempre un tope-guía para cortar al hilo o una guía de borde recto.** Esto mejora la precisión del corte y reduce las probabilidades de que la hoja se atasque.
- g. **Utilice siempre hojas que tengan el tamaño correcto y la forma correcta (de diamante frente a redonda) de agujeros para el eje portaherramienta.** Las hojas que no coincidan con los herrajes de montaje de la sierra funcionarán excéntricamente, causando pérdida de control.
- h. **No use nunca arandelas de hoja o un perno de hoja que estén dañados o sean incorrectos.** Las arandelas y el perno de la hoja se diseñaron especialmente para su sierra, con el fin de lograr un rendimiento óptimo y una seguridad óptima de funcionamiento.

#### CAUSAS DEL RETROCESO Y SU PREVENCIÓN POR PARTE DEL OPERADOR

- El retroceso es una reacción repentina a una hoja de sierra pellizcada, atascada o desalineada, que hace que una sierra descontrolada se levante y se salga de la pieza de trabajo, hacia el operador.
- Cuando la hoja se pellizca o se atasca fuertemente al cerrarse la sección de corte, la hoja se para y la reacción del motor impulsa la unidad rápidamente hacia atrás, hacia el operador.
- Si la hoja se tuerce o se desalinea en el corte, los dientes ubicados en el borde trasero de la hoja pueden penetrar en la superficie superior de la madera, haciendo que la hoja trepe, se salga de la sección de corte y salte hacia atrás, hacia el operador.

El retroceso es el resultado de un uso inapropiado de la sierra y/o de procedimientos o situaciones de utilización incorrectos y se puede evitar tomando las precauciones apropiadas que se indican a continuación:

- a. **Mantenga un agarre firme con las dos manos en la sierra y posicione los brazos de modo que puedan resistir las fuerzas de retroceso.** Las fuerzas de retroceso pueden ser controladas por el operador, si se toman las precauciones adecuadas.
- b. **Cuando la hoja se esté atascando o cuando se interrumpa un corte por cualquier motivo, suelte el gatillo y sujete la sierra de modo que esté inmóvil en el material hasta que la hoja se detenga por completo. No intente nunca retirar la sierra de la pieza de trabajo ni tirar de la sierra hacia atrás mientras la hoja esté en movimiento o se podría producir retroceso.** Investigue y tome medidas correctivas para eliminar la causa de atasco de la hoja.
- c. **Cuando re arranque una sierra en la pieza de trabajo, centre la hoja de sierra en la sección de corte y asegúrese de que los dientes de la hoja de sierra no**



**estén acoplados en el material.** Si la hoja de sierra se está atascando, podría desplazarse o experimentar retroceso respecto a la pieza de trabajo cuando se arranque la sierra.

- d. **Soporte los paneles grandes para minimizar el riesgo de que la hoja se pellizque y se produzca retroceso.** Los paneles grandes tienden a combarse bajo su propio peso. Se deben colocar soportes debajo del panel a ambos lados, cerca de la línea de corte y cerca del borde del panel.
- e. **No use hojas desafiladas o dañadas.** Las hojas desafiladas o con triscado inapropiado producen una sección de corte estrecha que causa fricción excesiva, atasco de la hoja y retroceso.
- f. **Las palancas de fijación de ajuste de la profundidad y del bisel de la hoja deben estar apretadas y sujetas firmemente antes de realizar el corte.** Si el ajuste de la hoja cambia mientras se realiza el corte, dicho cambio podría causar atasco y retroceso.
- g. **Tenga precaución adicional cuando haga un "corte por penetración" en paredes existentes u otras áreas ciegas.** La hoja que sobresale podría cortar objetos que pueden causar retroceso.

#### **INSTRUCCIONES DE SEGURIDAD PARA EL PROTECTOR INFERIOR**

- a. **Compruebe el protector inferior para verificar si se cierra apropiadamente antes de cada uso.** No utilice la sierra si el protector inferior no se mueve libremente y no se cierra instantáneamente. No sujete nunca con abrazaderas ni amarre el protector inferior en la posición abierta. Si la sierra se cae accidentalmente, el protector inferior se podría doblar. Suba el protector inferior con el mango retráctil y asegúrese de que se mueve libremente y no toca la hoja ni ninguna otra pieza, en todos los ángulos y profundidades de corte.
- b. **Compruebe el funcionamiento del resorte del protector inferior.** Si el protector y el resorte no están funcionando correctamente, se les debe hacer servicio de ajustes y reparaciones antes de la utilización. El protector inferior podría funcionar con dificultad debido a que haya piezas dañadas, depósitos gomosos o una acumulación de residuos.
- c. **El protector inferior se debe retraer manualmente sólo para realizar cortes especiales, tales como "cortes por penetración" y "cortes compuestos".** Suba el protector inferior por el mango retráctil y, en cuanto la hoja entre en el material, se debe soltar el protector inferior. Para todas las demás operaciones de aserrado, el protector inferior debe funcionar automáticamente.
- d. **Asegúrese siempre de que el protector inferior esté cubriendo la hoja antes de dejar la sierra en un banco de trabajo o en el piso.** Una hoja que se esté moviendo por inercia hasta detenerse y no esté protegida hará que la sierra se desplace hacia atrás, cortando todo aquello que esté en su camino. Tenga en cuenta el tiempo que se requiere para que la hoja se detenga después de soltar el interruptor.

#### **INSTRUCCIONES DE SEGURIDAD PARA EL LÁSER**

**⚠ PELIGRO:** Radiación láser, evite la exposición directa de los ojos, pueden producirse lesiones oculares graves.

- No utilice herramientas ópticas, como por ejemplo un telescopio o un teodolito para ver el rayo láser.
- Coloque el láser de manera que se evite todo contacto accidental con los ojos.
- No opere el láser con niños alrededor ni permita que los niños operen el láser o la herramienta eléctrica.
- No desmontar. Cualquier modificación que se realice al producto aumenta el riesgo de radiación láser.

**⚠ ADVERTENCIA:** La utilización de controles o ajustes o la realización de procedimientos diferentes a los especificados en este manual podrían provocar el riesgo de exposición a radiación láser.

- No regule el láser con la batería puesta en la sierra circular.
- No opere la herramienta en atmósferas explosivas, como ambientes donde se encuentren líquidos, gases o polvo inflamables.
- Guarde el producto que no está en uso fuera del alcance de los niños y de personas no

entrenadas. Las herramientas eléctricas y láseres son peligrosas si son operadas por usuarios no capacitados.

- Utilice sólo accesorios recomendados por el fabricante para el modelo que posee. Los accesorios correctos para un láser pueden provocar riesgo de lesiones si se utilizan con otro láser.
- Las reparaciones y el mantenimiento DEBEN ser realizados por un centro de reparaciones calificado. Las reparaciones realizadas por personal no calificado pueden provocar lesiones graves.
- No retire ni borre las etiquetas de advertencia. El retiro de las etiquetas aumenta el riesgo de exposición a radiación.
- Únicamente para uso en interiores.
- Este producto está diseñado para utilizarse con temperaturas entre 5 °C (41 °F) y 40 °C (104 °F).

**⚠️ ADVERTENCIA:** parte del polvo producido por las herramientas eléctricas al lijar, aserrar, esmerilar, taladrar y realizar otras actividades de la construcción, contiene productos químicos reconocidos por el Estado de California como causantes de cáncer, defectos de nacimiento u otros problemas reproductivos.

Algunos de estos productos químicos son:

- el plomo de las pinturas de base plomo,
- la sílice cristalina de ladrillos, el cemento y otros productos de mampostería, y
- el arsénico y el cromo de la madera con tratamiento químico.

El riesgo derivado de estas exposiciones varía según la frecuencia con la que se realice este tipo de trabajo. Para reducir la exposición a estos productos químicos: trabaje en áreas bien ventiladas y trabaje con equipos de seguridad aprobados, como las máscaras para polvo especialmente diseñadas para filtrar las partículas microscópicas.

- Evite el contacto prolongado con el polvo proveniente del lijado, aserrado, amolado y taladrado eléctrico y otras actividades de construcción. Use vestimenta protectora y lave todas las áreas expuestas con agua y jabón. De entrar polvo en sus ojos, boca, o que este permanezca sobre su piel puede promover la absorción de químicos dañinos.

**⚠️ ADVERTENCIA:** El uso de esta herramienta puede generar y/o dispersar el polvo, el cual puede ocasionar lesión respiratoria u otro tipo de lesión grave y permanente. Utilice siempre protección respiratoria NIOSH/OSHA apropiada para la exposición al polvo. Dirija las partículas lejos de su cara o su cuerpo.

**⚠️ PRECAUCIÓN:** Durante el uso, utilice siempre protección auditiva adecuada que cumpla con la norma ANSI S12.6 (S3.19). En ciertas circunstancias y según el periodo de uso, el ruido de este producto puede contribuir a la pérdida de audición.

**⚠️ ADVERTENCIA:** USE SIEMPRE LENTES DE SEGURIDAD. Los anteojos de uso diario NO son lentes de seguridad. Utilice también máscaras faciales o para polvo si el corte produce polvillo. UTILICE SIEMPRE EQUIPOS DE SEGURIDAD CERTIFICADOS:

- Protección para los ojos según la norma ANSI Z87.1 (CAN/CSA Z94.3)
- Protección auditiva según la norma ANSI S12.6 (S3.19)
- Protección respiratoria según las normas NIOSH/OSHA/MSHA

## PAUTAS DE SEGURIDAD/DEFINICIONES

Es importante que lea y comprenda este manual. La información que contiene se relaciona con la protección de SU SEGURIDAD y la PREVENCIÓN DE PROBLEMAS. Los símbolos que siguen se utilizan para ayudarlo a reconocer esta información.

**⚠️ PELIGRO:** indica una situación de peligro inminente que, si no se evita, provocará la muerte o lesiones graves.

**⚠️ ADVERTENCIA:** indica una situación de peligro potencial que, si no se evita, provocará la muerte o lesiones graves.



## SOPORTE DE PANELES GRANDES/FIJACIÓN DE LA PIEZA DE TRABAJO

Sujete los paneles grandes para minimizar el riesgo de que la hoja se pellizque y se produzca el retroceso. Los paneles grandes tienden a combarse por su propio peso, como se muestra en la **figura B**. Se deben colocar soportes bajo el panel, a ambos lados, cerca de la línea de corte y cerca del borde del panel (**figura C**).

Nunca sostenga la pieza que está cortando con las manos ni contra la pierna (**figura D**). Fije la pieza de trabajo a una plataforma estable, como se muestra en la **figura E**. Es importante sostener el trabajo correctamente para reducir al mínimo la exposición del cuerpo, el atascamiento de la hoja y la pérdida del control.

## ENSAMBLAJE/CONFIGURACIÓN

**⚠ADVERTENCIA:** Desconecte siempre la sierra de la fuente de energía antes de realizar cualquiera de las siguientes operaciones.

### AJUSTE DE LA PROFUNDIDAD DE CORTE (FIG. F Y G)

La profundidad de corte debe fijarse en función del grosor de la pieza de trabajo.

- Afloje la palanca (12) para desbloquear la zapata de la sierra (**Fig. F**)
- Mueva la zapata de la sierra (6) hasta la posición deseada. La profundidad de corte correspondiente puede leerse en la escala (13).
- Apriete la palanca para bloquear la zapata de la sierra en el lugar.
- Regule la profundidad de la sierra de manera que sólo un diente de la hoja sobresalga bajo el trabajo, como se muestra en la **figura G**. Una profundidad de corte correcta de la sierra reduce la fricción de la hoja al mínimo, elimina las astillas que se encuentran entre los dientes de la hoja, permite un corte más rápido y sin sobrecalentamiento y reduce las posibilidades de retroceso de la hoja.

### AJUSTE DEL ÁNGULO DE BISELADO (FIG. H)

Esta herramienta puede fijarse para biselar ángulos entre 0° y 45°.

- Afloje la perilla de bloqueo (14) para desbloquear la zapata de la sierra.
- Mueva la zapata de la sierra (6) hasta la posición deseada. El ángulo de biselado correspondiente puede leerse de la escala (15).
- Apriete la perilla para bloquear la zapata de la sierra en su lugar.

## CÓMO COLOCAR Y RETIRAR LA HOJA

### EXTRACCIÓN DE LA HOJA (PC15CSL) (FIG. I Y J)

- Mantenga presionado el botón de bloqueo del eje (5) y gire la hoja hasta que el bloqueo del eje se trabase.
- Afloje y retire el tornillo que retiene la hoja (16) girándolo en sentido contrario a las agujas del reloj con la llave (10) provista.
- Retire la arandela exterior (17).
- Extraiga la hoja de la sierra (7).

### COLOCACIÓN DE LA HOJA (PC15CSL)

- Coloque la hoja de la sierra (7) sobre el eje, y asegúrese de que la flecha de la hoja apunte en la misma dirección que la flecha indicada en la herramienta.
- Adapte la arandela exterior (17) al eje; la parte elevada no debe apuntar a la hoja de la sierra.
- Inserte el tornillo que retiene la hoja (16) en el orificio.
- Mantenga oprimido el botón del bloqueo del eje (5).
- Asegure el tornillo que retiene la hoja girándolo en sentido de las agujas del reloj con la llave (10) provista.

**NOTA: No se debe retirar la brida interna (18). En caso de retirarla, reemplácela tal como se muestra en la figura J.**

### EXTRACCIÓN DE LA HOJA (PC13CSL) (FIG. K Y J)

- Evite que el eje gire trabando el diente de la hoja de la sierra en una pieza de madera de descarte.
- Afloje y retire el tornillo que retiene la hoja (16) girándolo en sentido contrario a las agujas del reloj con la llave (10) provista.

- Retire la arandela exterior (17).
- Extraiga la hoja de la sierra (7).

### COLOCACIÓN DE LA HOJA (PC13CSL)

- Coloque la hoja de la sierra (7) sobre el eje, y asegúrese de que la flecha de la hoja apunte en la misma dirección que la flecha indicada en la herramienta.
- Adapte la arandela exterior (17) al eje; la parte elevada no debe apuntar a la hoja de la sierra.
- Inserte el tornillo que retiene la hoja (16) en el orificio.
- Evite que el eje gire trabando el diente de la hoja de la sierra en una pieza de madera de descarte.
- Asegure el tornillo que retiene la hoja girándolo en sentido de las agujas del reloj con la llave (10) provista.

**NOTA: No se debe retirar la brida interna (18). En caso de retirarla, reemplácela tal como se muestra en la figura J.**

**⚠ ADVERTENCIA:** Para reducir el riesgo de lesiones personales graves, lea, comprenda y siga todas las advertencias de seguridad y las instrucciones antes de usar la herramienta.

### CORTES GENERALES (IMPORTANTE: LEA LAS INSTRUCCIONES Y LAS ADVERTENCIAS DE SEGURIDAD.)

#### PREVÉNGASE DE RETROCESOS

Con la unidad desenchufada, siga todas las instrucciones de montaje, regulación e instalación.

Asegúrese de que el protector inferior funciona. Seleccione la hoja correcta para el material a cortar.

- Mida y marque el trabajo para cortarlo.
- Sostenga y asegure correctamente el trabajo (consulte las Instrucciones y las Normas de seguridad).
- Utilice los equipos de seguridad apropiados y requeridos (consulte las Normas de seguridad).
- Afirme y sostenga el área de trabajo (consulte las Normas de seguridad).
- Mientras el enchufe está colocado y el protector está cerrado, asegúrese de que el interruptor encienda y apague la sierra.

**⚠ ADVERTENCIA:** Es importante apoyar bien la pieza sobre la que se trabaja y sostener la sierra firmemente para evitar la pérdida de control, que podría provocar lesiones personales. La **Figura D** ilustra la postura recomendada para la mano.

### COLOCACIÓN Y EXTRACCIÓN DE LA GUÍA DE CORTE (INCLUIDA CON PC15CSL) (FIG. L)

La guía de corte se utiliza para aserrar en una línea derecha paralela al borde de la pieza de trabajo.

#### COLOCACIÓN

- Afloje la perilla de bloqueo (19).
- Inserte la guía de corte (20) a través de las aberturas (21).
- Deslice la guía de corte a la posición deseada.
- Ajuste la perilla de bloqueo.

#### EXTRACCIÓN

- Afloje la perilla de bloqueo.
- Tire de la guía de corte y sáquela de la herramienta.

**NOTA:** Si no tiene una guía de corte que calce correctamente, use una guía para bordes rectos en contacto con el borde de la zapata para mejorar la precisión del corte y reducir la posibilidad de atascamiento y retroceso.

## FUNCIONAMIENTO

### INTERRUPTOR

- Para usar la herramienta, presione el interruptor disparador (1). La unidad funcionará el tiempo que se mantenga oprimido el disparador.

- Para apagar la herramienta, suelte el interruptor disparador (1). No se previó un dispositivo para mantener la herramienta en marcha constante, y nunca se debe trabar el interruptor por ningún medio.

### AJUSTE DE LA PLACA DE CORTE (FIG. M)

La herramienta está equipada con una mira para cortar en forma recta (22) y para ingletear a 45° (23).

- Asegúrese de que la sierra esté desenchufada.
- Ajuste la placa de corte como se describe a continuación.
- Alinee el borde izquierdo de las guías (22) o (23) con la línea de corte.
- Mantenga la placa de corte alineada con la línea de corte mientras asierra.
- Trabaje con la zapata presionada contra la pieza de trabajo.

### AJUSTE DE LA PLACA DE CORTE

- Enchufe la sierra.
- Haga un corte de prueba hasta la mitad de una pieza de madera de descarte.
- Retire la sierra de modo que la línea de corte se haga visible.
- Mantenga la sierra en esta posición, desenchúfela y afloje la placa de corte sobre la zapata de la sierra.
- Alinee la marca de 0° (22) de la placa de corte con la línea de corte. Cuando efectúe los ajustes para el ingleteado en 45°, alinee la marca de 45° de la placa de corte con la línea de corte.
- Asegure la placa de corte con el tornillo (24).

### LÍNEA LÁSER

**⚠ADVERTENCIA:** **RADIACIÓN LÁSER. Nunca apunte el rayo a un trabajo que tenga una superficie reflectante.** Se recomienda no usar el láser con láminas de acero brillantes y reflectantes u otras superficies reflectantes similares. Las superficies reflectantes pueden dirigir el rayo hacia el operador.

**⚠PELIGRO:** **RADIACIÓN LÁSER. EVITE LA EXPOSICIÓN DIRECTA DE LOS OJOS. No mire hacia la fuente de luz láser. Nunca apunte la**

**luz hacia otra persona u objeto que no sea el trabajo.** La luz láser puede dañar los ojos.

**⚠ADVERTENCIA:** **NO utilice anteojos coloreados para aumentar la luz láser.** Los anteojos coloreados reducen la visión total para el uso e interfieren con la operación normal de la herramienta.

### INTERRUPTOR DEL LÁSER (FIG. N)

Para encender el láser, empuje el interruptor de encendido/apagado del láser (2) para activar la línea láser (25) como se muestra en la **figura N**.

### PARA USAR LA LÍNEA LÁSER

- Marque la línea que quiere cortar en el trabajo.
- Regule la profundidad y el ángulo de corte requeridos.
- Empuje el interruptor de encendido/apagado del láser (2) hasta la posición de encendido y proyecte el haz del láser.
- Presione el interruptor disparador de la sierra (1) y permita que la hoja alcance la velocidad máxima.
- Coloque la zapata de la sierra sobre la pieza de trabajo. Alinee la línea láser con la marca del trabajo y lentamente empuje la sierra hacia adelante manteniendo la línea láser sobre la marca.
- Al terminar el corte, suelte el disparador y permita que la hoja de la sierra se detenga por completo antes de apagar el láser.

### ASERRADO

**⚠ADVERTENCIA:** Para reducir el riesgo de lesiones personales graves, siempre sostenga la herramienta con ambas manos.

- Deje que la hoja se mueva libremente algunos segundos antes de empezar a cortar.
- Aplique sólo presión ligera a la herramienta mientras realiza el corte.
- Trabaje con la zapata presionada contra la pieza de trabajo.

## CONSEJOS PARA UN USO ÓPTIMO

- Dado que es imposible que no se formen astillas a lo largo de la línea de corte en la parte superior de la pieza de trabajo, corte en el lado donde es aceptable que haya astillas.
- En los casos donde la formación de astillas debe minimizarse, como en el corte de laminados, sujete una pieza de madera contrachapada sobre la parte superior de la pieza de trabajo.

## CORTE INTERNO (FIG. O)

LOS CORTES INTERNOS SE UTILIZAN PARA HACER UN HOYO EN UNA PIEZA DE MATERIAL SIN NECESIDAD DE CORTAR DESDE EL COSTADO

- Mida y marque el trabajo.
- Inclíne la sierra hacia adelante y apoye el frente de la zapata en el material que desea cortar. Alinee de manera que el corte comience en la parte posterior del rectángulo dibujado que se muestra en la **figura O**.
- Con la ayuda de la palanca retráctil, repliegue el protector de la hoja a una posición vertical, con la hoja justo fuera del material, encienda el motor e introduzca la sierra gradualmente en el material.

**⚠ ADVERTENCIA:** En cuanto la hoja comience a cortar el material, suelte inmediatamente la palanca retráctil.

- Nunca ate el protector de la hoja en una posición elevada.
- Cuando la zapata esté plana sobre el material que se está cortando, complete el corte hacia adelante.
- Permita que la hoja se detenga completamente antes de levantar la sierra del material.
- Cada vez que inicie un nuevo corte, repita los pasos anteriores.

## DETECCIÓN DE PROBLEMAS

### Problema

- La unidad no enciende.

### Causa posible

- Cable desenchufado.
- Fusible quemado.
- El interruptor automático está activado.
- Interruptor o cable dañado.

### Solución posible

- Enchufe el cargador en un tomacorriente que funcione.
- Reemplace el fusible quemado. (Si repetidamente el producto hace que el fusible del circuito se queme, deje de utilizarlo inmediatamente y haga que le realicen mantenimiento en un centro de mantenimiento Porter Cable o en un centro de servicio autorizado.)
- Reinicie el interruptor automático. (Si repetidamente el producto hace que el fusible del circuito se queme, deje de utilizarlo inmediatamente y haga que le realicen mantenimiento en un centro de mantenimiento Porter Cable o en un centro de servicio autorizado.)
- Haga reparar el cable o el interruptor en un centro de mantenimiento Porter Cable o en un centro de mantenimiento autorizado.

Para conocer la ubicación del centro de mantenimiento más cercano a fin de recibir ayuda con su producto, visite nuestro sitio Web [www.portercable.com](http://www.portercable.com) o llame a la línea de ayuda Porter Cable al **(888)848-5175**.

## ALMACENAMIENTO DE LA LLAVE (FIG. P)

La llave de la hoja (10) se puede almacenar en la zapata de la sierra como se muestra en la **figura P**.

## MANTENIMIENTO

Para limpiar la herramienta, utilice únicamente jabón suave y un paño húmedo. Nunca permita que penetre líquido dentro de la herramienta y nunca sumerja las piezas de la herramienta en un líquido.

## PIEZAS DE REPUESTO

Utilice sólo piezas de repuesto idénticas. Para obtener una lista de piezas o para solicitar piezas, visite nuestro sitio Web en [www.portercable.com](http://www.portercable.com). También puede solicitar piezas al Centro de mantenimiento de fábrica Porter-Cable o al Centro de mantenimiento con garantía autorizado de Porter-Cable más cercanos. O bien, puede llamar a nuestro Centro de atención al cliente al (888) 848-5175.

## MANTENIMIENTO Y REPARACIONES

El mantenimiento de este producto no puede ser realizado por el usuario. Dentro del cargador no hay piezas a las que el usuario pueda hacerles mantenimiento. El mantenimiento de la herramienta debe realizarse en un centro de mantenimiento autorizado para evitar daños a los componentes internos, sensibles a la estática. Para obtener información acerca de Porter-Cable, sus centros de mantenimiento o centros de mantenimiento con garantía autorizados, visite nuestro sitio web en [www.portercable.com](http://www.portercable.com) o comuníquese con nuestro Centro de atención al cliente al (888) 848-5175. Todas las reparaciones realizadas en nuestros centros de mantenimiento están completamente garantizadas en relación con los materiales defectuosos y la mano de obra. No podemos otorgar garantías en relación con las reparaciones ni los intentos de reparación de otras personas.

También puede escribirnos solicitando información a PORTER-CABLE, 4825 Highway 45 North, Jackson, Tennessee 38305; referencia: Mantenimiento de productos. Asegúrese de incluir toda la información mencionada en la placa de la herramienta (número de modelo, tipo, número de serie, etc.).

## ACCESORIOS

**⚠ ADVERTENCIA:** Debido a que no se han probado con este producto otros accesorios que no sean los que ofrece Porter-Cable, el uso de dichos accesorios con esta herramienta podría ser peligroso. Para reducir el riesgo de lesiones, con este producto deben usarse sólo los accesorios Porter-Cable recomendados.

Puede encontrar la línea completa de accesorios en los centros de mantenimiento de fábrica Porter-Cable o centros de mantenimiento con garantía autorizados de Porter-Cable. Visite nuestro sitio web [www.portercable.com](http://www.portercable.com) para obtener un catálogo o para conocer el nombre de su proveedor más cercano.

## GARANTÍA LIMITADA DE TRES AÑOS

PORTER-CABLE reparará o reemplazará, sin cargo, cualquier defecto ocasionado por materiales defectuosos o mano de obra durante tres años a partir de la fecha de compra, en el caso de las herramientas (dos años para las baterías). Esta garantía no cubre fallas en las piezas que resulten del desgaste normal de la herramienta o de su utilización inadecuada. Para obtener información detallada sobre la cobertura de la garantía y sobre reparaciones, visite [www.portercable.com](http://www.portercable.com) o llame al

(888) 848-5175. Esta garantía no se extiende a los accesorios o a los daños causados por terceros al intentar realizar reparaciones. Esta garantía le concede derechos legales específicos; pueden existir otros derechos que varían según el estado o la provincia.

Además de la garantía, las herramientas PORTER-CABLE están cubiertas por nuestro:

**SERVICIO GRATUITO DE 1 AÑO:** PORTER-CABLE realizará el mantenimiento y reemplazará las piezas gastadas tras el uso normal, sin costo alguno, en cualquier momento durante el primer año después de la compra.

**GARANTÍA DE DEVOLUCIÓN DE DINERO DE 90 DÍAS:** Si por alguna razón no estuviera plenamente satisfecho con el rendimiento de su herramienta eléctrica PORTER-CABLE, puede devolver el producto dentro de los 90 días siguientes a la



fecha de compra acompañado del recibo. De esta manera, se le reintegrará el importe total del producto sin formularle pregunta alguna.

**AMÉRICA LATINA:** Esta garantía no se aplica a los productos que se venden en América Latina. Para los productos que se venden en América Latina, debe consultar la información de la garantía específica del país que viene en el empaque, llamar a la compañía local o visitar el sitio Web a fin de obtener esa información.

Para registrar la herramienta con el objeto de obtener el mantenimiento cubierto por la garantía, visite nuestro sitio Web, [www.portercable.com](http://www.portercable.com).

#### REEMPLAZO DE LAS ETIQUETAS DE ADVERTENCIA

Si sus etiquetas de advertencia se vuelven ilegibles o faltan, llame al (888) 848-5175 para que se las reemplacen gratuitamente.

Las siguientes son marcas comerciales PORTER-CABLE que distinguen a una o más herramientas y accesorios: un gráfico de color gris y negro; un diseño de "estrella de cuatro puntas" y tres franjas longitudinales contrastantes/delineadas. Las siguientes también son marcas comerciales para uno o más productos de Porter-Cable y Delta: 2 BY 4®, 890™, Air America®, AIRBOSS™, Auto-Set®, B.O.S.S.®, Bammer®, Biesemeyer®, Builders Saw®, Charge Air®, Charge Air Pro®, CONTRACTOR SUPERDUTY®, Contractor's Saw®, Delta®, DELTA®, Delta Industrial®, DELTA MACHINERY & DESIGN™, Delta Shopmaster and Design®, Delta X5®, Deltacraft®, DELTAGRAM®, Do It. Feel It.®, DUAL LASERLOC AND DESIGN®, EASY AIR®, EASY AIR TO GO™, ENDURADIAMOND®, Ex-Cell®, Front Bevel Lock®, Get Yours While the Sun Shines®, Grip to Fit®, GRIPVAC™, GTF®, HICKORY WOODWORKING®, Homecraft®, HP FRAMER HIGH PRESSURE®, IMPACT SERIES™, Innovation That Works®, Jet-Lock®, Job Boss®, Kickstand®, LASERLOC®, LONG-LASTING WORK LIFE®, MAX FORCE™, MAX LIFE®, Micro-Set®, Midi-Lathe®, Monsoon®, MONSTER-CARBIDE™, Network®, OLDHAM®, Omnijig®, PC EDGE®, Performance Crew™, Performance Gear®, Pocket Cutter®, Porta-Band®, Porta-Plane®, Porter Cable®, Porter-Cable Professional Power Tools®, Powerback®, POZI-STOP™, Pressure Wave®, PRO 4000®, Proair®, Quicksand and Design®, Quickset II®, QUIET DRIVE TECHNOLOGY™, QUIET DRIVE TECHNOLOGY AND DESIGN™, Quik-Change®, QUIK-TILT®, RAPID-RELEASE™, RAZOR®, Redefining Performance®, Riptide®, Safe Guard II®, Sand Trap and Design®, Sanding Center®, Saw Boss®, Shop Boss®, Sidekick®, Site Boss®, Speed-Bloc®, Speedmatic®, Stair Ease®, Steel Driver Series®, SUPERDUTY®, T4 & DESIGN®, THE AMERICAN WOODSHOP®, THE PROFESSIONAL EDGE®, Thin-Line®, Tiger Saw®, TIGERCLAW®, TIGERCLAW AND DESIGN®, Torq-Buster®, TRU-MATCH®, T-Square®, Twinlaser®, Unifence®, Uniguard®, UNIRIP®, UNISAW®, UNITED STATES SAW®, Veri-Set®, Versa-Feeder®, VIPER®, VT™, VT RAZOR™, Water Driver®, WATER VROOM®, Waveform®, Whisper Series®, X5®, YOUR ACHIEVEMENT. OUR TOOLS.®

Las marcas comerciales con el símbolo ® están registradas en la Oficina de patentes y marcas comerciales de Estados Unidos (United States Patent and Trademark Office), y también pueden estar registradas en otros países. Posiblemente se apliquen otras marcas comerciales registradas.

#### PORTER CABLE

4825 Highway 45 North  
Jackson, Tennessee 38305  
(888) 848-5175  
[www.portercable.com](http://www.portercable.com)





**ESPECIFICACIONES TÉCNICAS DEL LÁSER:**

Longitud de ondas de diodo del láser: 633 a 670 nm (color rojo)  
Clase de láser: IIIa  
Temperatura de funcionamiento: 5°C (41°F) a 40°C (104°F)  
Precisión: +/- 1,8 mm cada 300 mm

**ESPECIFICACIONES**

**PC13CSL**

Tensión de alimentación: 120V~ Potencia nominal: 1451W  
Frecuencia de operacion: 60Hz Consumo de corriente: 13 A

**PC15CSL**

Tensión de alimentación: 120V~ Potencia nominal: 1674W  
Frecuencia de operacion: 60Hz Consumo de corriente: 15 A

## Free Manuals Download Website

<http://myh66.com>

<http://usermanuals.us>

<http://www.somanuals.com>

<http://www.4manuals.cc>

<http://www.manual-lib.com>

<http://www.404manual.com>

<http://www.luxmanual.com>

<http://aubethermostatmanual.com>

Golf course search by state

<http://golfingnear.com>

Email search by domain

<http://emailbydomain.com>

Auto manuals search

<http://auto.somanuals.com>

TV manuals search

<http://tv.somanuals.com>