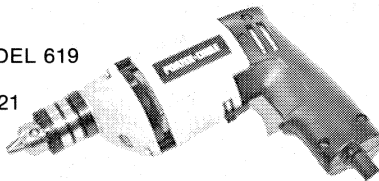
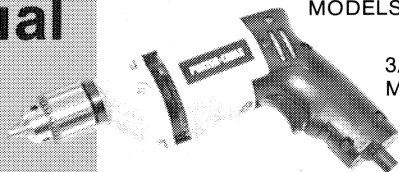


# Double Insulated Portable Electric Drills

1/4" DRILL MODEL 619  
3/8" DRILL  
MODELS 620; 621

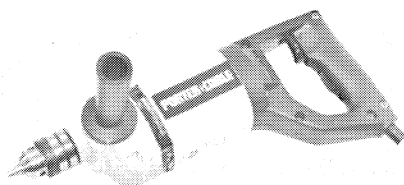


1/4" DRILLS  
MODELS 7500; 7501  
7503; 7504



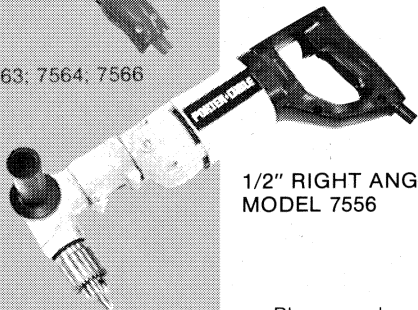
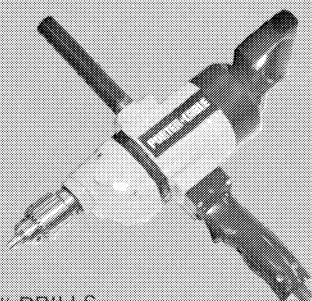
3/8" DRILLS  
MODELS 7510; 7511

1/2" DRILL  
MODEL 7514



1/4" DRILL - MODEL 7551  
3/8" DRILL - MODEL 7552  
1/2" DRILLS - MODELS 632; 7554

1/2" DRILLS  
MODELS 635; 7563; 7564; 7566



1/2" RIGHT ANGLE DRILL  
MODEL 7556

## IMPORTANT

Please make certain that the person who is to use this equipment carefully reads and understands these instructions before starting operations.

The Model and Serial No. plate is located on the main housing of the tool. Record these numbers in the spaces below and retain for future reference.

Model No. \_\_\_\_\_

Type \_\_\_\_\_

Serial No. \_\_\_\_\_

Part No. 692498-487

# Instruction manual

**PORTER+CABLE**  
PROFESSIONAL POWER TOOLS

# IMPORTANT SAFETY INSTRUCTIONS

**WARNING:** When using electric tools, basic safety precautions should always be followed to reduce the risk of fire, electric shock and personal injury, including the following:

READ AND FOLLOW ALL INSTRUCTIONS.

There are certain applications for which this tool was designed. Porter-Cable strongly recommends that this tool NOT be modified and/or used for any application other than for which it was designed. If you have any questions relative to its application DO NOT use the tool until you have written Porter-Cable and we have advised you.

Manager of Product Engineering  
Porter-Cable Corporation  
Youngs Crossing at Highway 45  
P.O. Box 2468  
Jackson, Tn 38302-2468

- 1. KEEP WORK AREA CLEAN.** Cluttered areas and benches invite injuries.
- 2. AVOID DANGEROUS ENVIRONMENT.** Don't expose power tools to rain. Don't use power tools in damp or wet locations. Keep area well lit. Avoid chemical or corrosive environment. Do not use tool in presence of flammable liquids or gases.
- 3. GUARD AGAINST ELECTRIC SHOCK.** Prevent body contact with grounded surfaces. For example: pipes, radiators, ranges, refrigerator enclosures.
- 4. KEEP CHILDREN AWAY.** Do not let visitors contact tool or extension cord. All visitors should be kept away from work area.
- 5. STORE IDLE TOOLS.** When not in use, tools should be stored in dry and high or locked-up place — out of the reach of children.
- 6. DON'T FORCE TOOL.** It will do the job better and safer at the rate for which it was intended.
- 7. USE RIGHT TOOL.** Don't force small tool or attachment to do the job of a heavy duty tool. Don't use tool for purpose not intended—for example—do not use a circular saw for cutting tree limbs or logs.
- 8. DRESS PROPERLY.** Do not wear loose clothing or jewelry. Loose clothing, draw strings and jewelry can be caught in moving parts. Rubber gloves and non-skid footwear are recommended when working. Wear protective hair covering to contain long hair.
- 9. USE SAFETY GLASSES.** Wear safety glasses or goggles while operating power tools. Also face or dust mask if operation creates dust. All persons in the area where power tools are being operated should also wear safety glasses and face or dust mask.
- 10. DON'T ABUSE CORD.** Never carry tool by cord or yank it to disconnect from receptacle. Keep cord from heat, oil, and sharp edges. Have damaged or worn power cord and strain reliever replaced immediately.

**11. SECURE WORK.** Use clamps or a vise to hold work. It's safer than using your hand and it frees both hands to operate tool.

**12. DON'T OVERREACH.** Keep proper footing and balance at all times.

**13. MAINTAIN TOOLS WITH CARE.** Keep tools sharp and clean for better and safer performance. Follow instructions for lubricating and changing accessories. Inspect tool cords periodically and if damaged, have repaired by authorized service facility. Inspect extension cords periodically and replace if damaged. Have all worn, broken or lost parts replaced immediately. Keep handles dry, clean and free from oil and grease.

**14. DISCONNECT TOOLS.** When not in use, before servicing, and when changing accessories such as blades, bits, cutters, etc.

**15. REMOVE ADJUSTING KEYS AND WRENCHES.** Form habit of checking to see that keys and adjusting wrenches are removed from the tool before turning it on.

**16. AVOID UNINTENTIONAL STARTING.** Don't carry plugged-in tool with finger on switch. Be sure switch is off when plugging in.

**17. OUTDOOR USE EXTENSION CORDS.** When tool is used outdoors, use only extension cords marked "Suitable for use with outdoor appliances - store indoors when not in use."

**18. STAY ALERT.** Watch what you are doing. Use common sense. Do not operate tool when you are tired or while under the influence of medication, alcohol or drugs.

**19. CHECK DAMAGED PARTS.** Before further use of the tool, a guard or other part that is damaged should be carefully checked to determine that it will operate properly and perform its intended function. Check for alignment of moving parts, binding of moving parts, breakage of parts, mounting, and any other conditions that may affect its operation. A guard or other part that is damaged should be properly repaired or replaced by an authorized service center unless otherwise indicated elsewhere in this instruction manual. Have defective switches replaced by authorized service center. Do not use tool if switch does not turn it on and off.

SAVE THESE INSTRUCTIONS

## REPLACEMENT PARTS

When servicing use only identical replacement parts.

## ADDITIONAL SAFETY RULES FOR PORTABLE DRILLS

1. **ALWAYS** hold drill by the handle **ONLY** to prevent accidental electrical shock resulting from cutting a live wire when drilling into a wall or other blind areas.

2. **DO NOT** use bits larger than those recommended. Large bits may overload the drill and damage the motor and gears.

3. **USE ONLY** the proper chuck key to tighten or loosen the chuck. Do not use chuck if jaws or other parts are cracked or worn.

4. **VERIFY** the drill's rotation before starting the drill so it is correct for the operation being performed.
5. **NEVER** change direction of rotation of reversing model until motor has completely stopped.
6. **NEVER** hold work in your hand, lap, or against other parts of your body when drilling.
7. **DO NOT** use drill as a router or try to elongate or enlarge holes by twisting the drill. Drill bits may break and cause injury.

## MOTOR

Most Porter-Cable tools will operate on either D.C., or single phase 25 to 60 cycle A.C. current and voltage within plus or minus 5 percent of that shown on the specification plate on the tool. Several models, however, are designed for A.C. current only. Refer to the specification plate on your tool for proper voltage and current rating.

**CAUTION:** Do not operate your tool on a current on which the voltage is not within correct limits. Do not operate tools rated A.C. only on D.C. current. To do so may seriously damage the tool.

## EXTENSION CORD SELECTION

If an extension cord is used, make sure the conductor size is large enough to prevent excessive voltage drop which will cause loss of power and possible motor damage. A table of recommended extension cord sizes will be found below. This table is based on limiting line voltage drop to 5 volts (10 volts for 230 volts) at 150% of rated amperes.

If an extension cord is to be used outdoors it must be marked with the suffix W-A following the cord type designation. For example — SJTW-A to indicate it is acceptable for outdoor use.

RECOMMENDED EXTENSION CORD SIZES FOR USE WITH PORTABLE ELECTRIC TOOLS

		Length of Cord in Feet								
		115V	25 Ft.	50 Ft.	100 Ft.	150 Ft.	200 Ft.	250 Ft.	300 Ft.	400 Ft.
Nameplate Ampere Rating	230V	50 Ft.	100 Ft.	200 Ft.	300 Ft.	400 Ft.	500 Ft.	600 Ft.	800 Ft.	1000 Ft.
	0-2	18	18	18	16	16	14	14	12	12
	2-3	18	18	16	14	14	12	12	10	10
	3-4	18	18	16	14	12	12	10	10	8
	4-5	18	18	14	12	12	10	10	8	8
	5-6	18	16	14	12	10	10	8	8	6
	6-8	18	16	12	10	10	8	6	6	6
	8-10	18	14	12	10	8	8	6	6	4
	10-12	16	14	10	8	8	6	6	4	4
	12-14	16	12	10	8	6	6	6	4	2
	14-16	16	12	10	8	6	6	4	4	2
	16-18	14	12	8	8	6	4	4	2	2
	18-20	14	12	8	6	6	4	4	2	2

## OPERATING INSTRUCTIONS

### FOREWORD

Porter-Cable drills are designed to drill holes of various sizes in wood and metal as indicated in the following chart:

Model No. of Drill	Type of Bit	Max. Diag. Hole	Material	
619	Twist Drill	1/4"	Steel	
	Spade Bit	1/2"	Wood	
	Self Feed Bit	1/4"	Wood	
620	Twist Drill	3/8"	Steel	
	Spade Bit	3/4"	Wood	
	Self Feed Bit	3/8"	Wood	
621	Self Feed Bit	3/8"	Wood	
7500	Twist Drill	1/4"	Steel	
7501	Spade Bit	1"	Wood	
	Self Feed Bit	1/2"	Wood	
7503	Twist Drill	1/4"	Steel	
	Spade Bit	3/4"	Wood	
7504	Twist Drill	1/4"	Steel	
	Spade Bit	1/2"	Wood	
7510	Twist Drill	3/8"	Steel	
7511	Spade Bit	1-1/4"	Wood	
	Self Feed Bit	3/4"	Wood	
	Twist Drill	1/2"	Steel	
7514	Spade Bit	1-1/2"	Wood	
	Self Feed Bit	1-1/4"	Wood	
	Twist Drill	1/4"	Steel	
7551	Auger Bit	5/8"	Wood	
	Twist Drill	3/8"	Steel	
7552	Twist Drill	3/8"	Steel	
	Auger Bit	1-1/2"	Wood	
7556	Twist Drill	1/2"	Steel	
632, 635	Auger Bit	1-1/2"	Wood	
7554, 7563.	Twist Drill	1/2"	Steel	
	Auger Bit	1-3/4"	Wood	
7564	Low	Twist Drill	1/2"	Steel
	Speed	Auger Bit	1-3/4"	Wood
		Self Feed Bit	4-5/8"	Wood
High	Twist Drill	1/2"	Steel	
	Auger Bit	1-1/2"	Wood	
	Speed	Self Feed Bit	2-9/16"	Wood

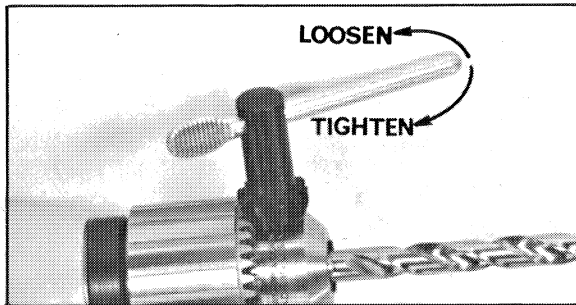


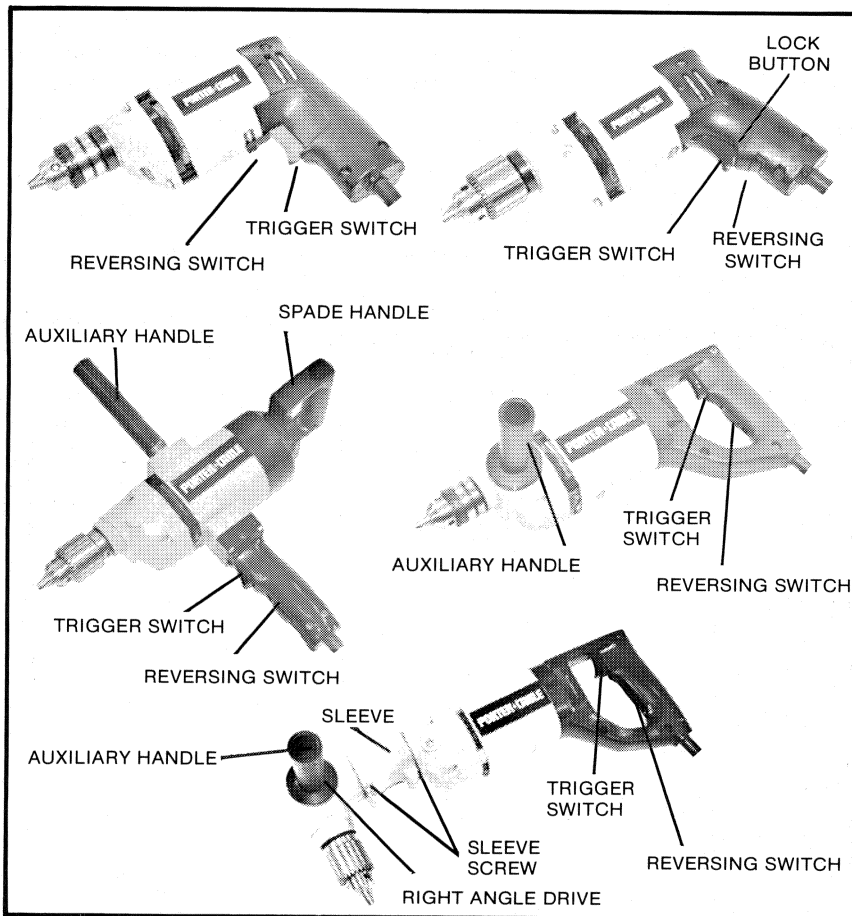
Fig. 1

## INSTALLING AND REMOVING DRILL BIT

1. **CAUTION:** Disconnect drill from power source.
2. The three-jaw chuck is designed for self-centering of the drill bit. Open jaws large enough by turning outer sleeve counterclockwise, when viewing the chuck from the bit end so that bit shank can be inserted.
3. Clean and insert smooth end of drill bit as far as it will go into the chuck, or up to the flutes for small bits.
4. While holding the bit with one hand, turn outer sleeve clockwise until bit is gripped in the chuck.
5. Tighten chuck - insert chuck key into each of 3 keyholes in chuck body (Fig. 1) in succession and tighten securely by turning key clockwise.

**CAUTION** - Be sure chuck key is removed before starting tool.

6. To remove bit, reverse foregoing procedure.



### TO INSTALL SPADE HANDLE

A spade handle is furnished with some models. This handle may be assembled in any one of four positions on the back of the drill. Simply place the washer on the screw, insert screw through hole in spade handle, locate handle as desired, and tighten screw securely.

### TO INSTALL AUXILIARY HANDLE

An auxiliary handle is supplied with some models. This handle screws directly into the drill housing providing complete control of the drill.

It is strongly recommended that the auxiliary handle be used and tool held as illustrated on page 8 during all drilling operations.

### TO START AND STOP DRILL

1. Make sure drill switch is "OFF". Make sure power circuit voltage is the same as that shown on the specification plate of the drill. Connect drill to power circuit.

2. Squeeze TRIGGER SWITCH (Fig. 2) to start motor. Release trigger to stop motor. On VARIABLE SPEED Models, as the TRIGGER SWITCH is squeezed, the drill speed increases.

3. Lock Button - A lock button (Fig. 2) is provided on some models to keep motor running without holding the trigger switch ON.

To lock the trigger switch ON, squeeze the trigger as far as it will go, push in lock button and release trigger.

To unlock lock button, squeeze trigger and release, leaving lock button free to spring out.

4. REVERSING SWITCH - Some models are provided with a reversing switch located as indicated in Fig. 2. These models will operate in either the forward direction (clockwise rotation) for drilling holes, or the reverse direction (counterclockwise rotation) for releasing jammed drill bits. For counterclockwise rotation, stop the motor by releasing the trigger switch and move the reversing switch in the direction marked "reverse", or in the opposite direction for clockwise rotation.

**NOTE:** Never attempt to change direction or rotation while switch is "ON". To do so, may damage interlock feature built into switch. Be sure switch is "OFF" and motor has completely stopped before changing direction of rotation.

## RIGHT ANGLE DRILL

The Right Angle Drills are operated in the same manner as the conventional straight drive drills. All Right Angle Drills are factory assembled with the chuck on drive end marked "LOW" and will run at the lower RPM shown on the specification plate.

To change to the higher RPM marked on the nameplate proceed as follows:

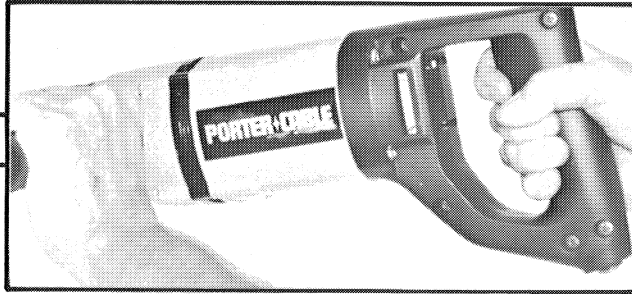
1. **CAUTION:** Disconnect drill from power source.
2. Open chuck jaws as wide as possible to gain access to chuck retaining screws.
3. Turn screw counterclockwise with 3/16" Allen wrench and remove screw and chuck from spindle.
4. Loosen outer sleeve screw, Fig. 2, and remove right angle drive from sleeve. The coupling within sleeve may fall out. If so, replace coupling within sleeve, making sure the slot engages the flats on the drill spindle.
5. Mount chuck to end of right angle drive marked "HIGH" and tighten chuck retaining screw securely.
6. Replace right angle drive to sleeve, making sure the flats on the drive shaft engage slot in coupling.
7. Tighten sleeve screws securely.

Right Angle Drills may be converted to a conventional straight drive drill by loosening the back sleeve screw and removing the sleeve and right angle drive from drill. Remove the chuck from the right angle drive and assemble to drill spindle.

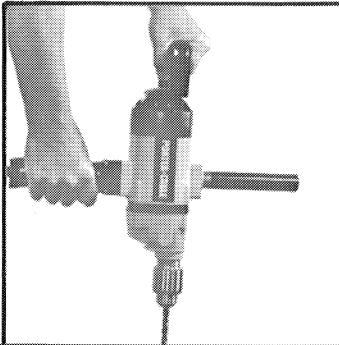
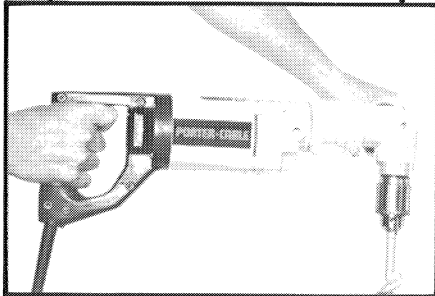
**PISTOL GRIP**



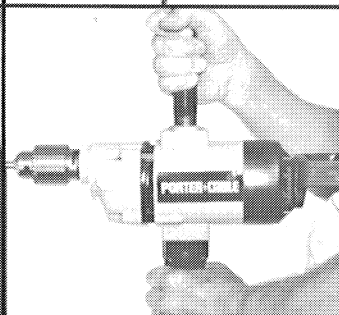
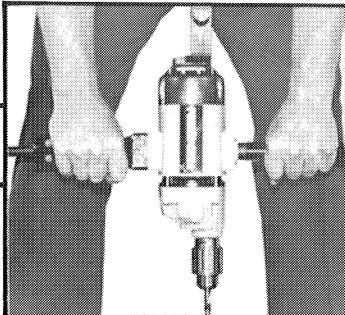
**D-HANDLE**



**RIGHT ANGLE DRILL**



**SPADE  
HANDLE**





## HOW TO HOLD THE DRILL

**WARNING:** The front end of drill may be made live if the tool drills into live wiring in a wall. **TO PREVENT ACCIDENTAL ELECTRICAL SHOCK, DRILL MUST BE HELD AS SHOWN ON PAGE 8.**

## HOW TO USE THE DRILL

### GENERAL DRILLING

1. Be sure drill bit is securely gripped in chuck. (See INSTALLING AND REMOVING DRILL BIT).
2. On reversing models only, set REVERSING SWITCH for clockwise rotation.
3. Make sure work is held securely in vise or clamped in place prior to starting drilling operation.

**CAUTION** - Loose work may spin and cause bodily injury.

4. Locate exact center for hole to be drilled and using a center punch, make a small dent in work.
5. Place tip of drill bit in dent made by center punch, hold drill square with work, and start the motor.
6. Apply steady, even pressure to keep drill bit cutting. Too little pressure will keep the bit from cutting and dull the edges due to excessive friction created by sliding over the surface.

**CAUTION** - Too much pressure may cause the bit to break or over heat resulting in bodily injury or damaged drill bits.

**CAUTION** - Be ALERT and brace yourself against the twisting action of the drill.

7. If drill stalls or becomes jammed in the hole, release trigger immediately, removing drill bit from work and determine cause of stalling or jamming. **DO NOT SQUEEZE TRIGGER ON AND OFF IN AN ATTEMPT TO FREE A STALLED OR JAMMED DRILL - THIS WILL DAMAGE THE MOTOR.** On reversing models only, the direction of rotation may be reversed to help free a jammed bit. Be sure direction of rotation is RESET before attempting to continue drilling.
8. Reduce the pressure on the drill just before the bit cuts through the work to avoid splintering wood or stalling in metal.
9. When bit has completely penetrated work and is spinning freely, withdraw it from the work while the motor is still running, then turn off drill.

### DRILLING WOOD

In addition to the instructions listed under GENERAL DRILLING, the following also apply:

1. When using twist drills in wood, they should be withdrawn from the hole frequently to clear chips built up in flutes to avoid overheating and burning work.

2. If a backing block is used to keep back of work from splintering, it should be clamped securely in place. If a backing block is not used with spade bits or auger bits, ease up pressure as soon as bit point breaks through work, and complete the hole from the opposite side.

## **DRILLING METAL**

In addition to the instruction listed under GENERAL DRILLING, the following also apply:

1. Use only good quality sharp high speed steel twist bits when drilling metal.
2. With variable speed drills, start drilling with slow speed and gradually increase speed as drill cuts. The harder the material, the slower the speed required. The softer the material, faster the speed.
3. When drilling a large hole, it is easier to first drill a smaller hole and then enlarge it to the required size.
4. The use of a lubricant, such as oil, on the drill point helps keep the bit cool, increases drilling action and prolongs drill bit life.

## **MAINTENANCE**

### **KEEP TOOL CLEAN**

Periodically blow out all air passages with compressed air. Remove build up of grime resulting from working green or sappy wood. All plastic parts should be cleaned with soft damp cloth. NEVER use solvents to clean plastic parts. They could possibly dissolve or otherwise damage the material.

**CAUTION** - Wear safety glasses while using compressed air.

### **FAILURE TO START**

Should your tool fail to start, check to make sure the prongs on the cord plug are making good contact in the outlet. Also, check for blown fuses or open circuit breakers in the line.

### **BRUSH INSPECTION AND LUBRICATION**

**CAUTION** - For your continued safety and electrical protection, brush inspection and replacement on this tool should ONLY be performed by an AUTHORIZED PORTER-CABLE SERVICE STATION or a PORTER-CABLE SERVICE CENTER.

At approximately 100 hours of use, take or send your tool to your nearest Authorized Porter-Cable Service Station to be thoroughly cleaned and inspected; worn parts replaced, when necessary; re-lubricated with fresh lubricant, if required; reassembled with new brushes; and performance tested.

Any loss of power before the above maintenance check may indicate the need for immediate servicing of your tool. DO NOT CONTINUE TO OPERATE TOOL UNDER THIS CONDITION. If proper operating voltage is present, return your tool to the Service Station for immediate service.

## SERVICE AND REPAIRS

All quality tools will eventually require servicing or replacement of parts due to wear from normal use. These operations, including brush inspection and replacement, should ONLY be performed by either an AUTHORIZED PORTER-CABLE SERVICE STATION or a PORTER-CABLE SERVICE CENTER. All repairs made by these agencies are fully guaranteed against defective material and workmanship. We can not guarantee repairs made or attempted by anyone other than these agencies.

Should you have any questions about your tool, feel free to write us at any time. In any communications, please give all information shown on the nameplate of your tool (model number, type, serial number, etc.).

## GENERAL ACCESSORIES

The testing of these tools has been accomplished with accessories as outlined on page 5. For safest operation, it is recommended that only these accessories be used.

For accessories, consult your Industrial Distributor.

## ADDITIONAL ACCESSORIES AVAILABLE

Model 5079 Right Angle Drill Attachment

For use with the Models 632, and 7554 1/2" Drills.

When used with Model 7554 Drill, order 861699 Coupling.

**WARNING** - Since bits of larger sizes and accessories of other manufacturers have not been tested with these products, use of such accessories could be hazardous.

### PORTER-CABLE LIMITED

#### ONE YEAR WARRANTY

Porter-Cable warrants its Professional Power Tools for a period of one year from the date of original purchase. We will repair or replace at our option, any part or parts of the product and accessories covered under this warranty which examination proves to be defective in workmanship or material during the warranty period. For repair or replacement return the complete tool or accessory, transportation prepaid, to your nearest Porter-Cable Service Center or Authorized Service Station as listed under "TOOLS-ELECTRIC" in the Yellow Pages of your telephone directory. Proof of purchase may be required. This warranty does not apply to repair or replacement required due to misuse, abuse, normal wear and tear or repairs attempted or made by other than our Service Centers or Authorized Service Stations.

To obtain information on warranty performance please write to: PORTER-CABLE CORPORATION, Youngs Crossing At Highway 45, P.O. BOX 2468, Jackson, Tennessee 38301; Attention: Product Service. The foregoing obligation is Porter-Cable's sole liability under this or any implied warranty and under no circumstances shall Porter-Cable be liable for any incidental or consequential damages. Some states do not allow limitations on how long an implied warranty lasts on the exclusion or limitation of incidental or consequential damages, so the above limitation or exclusion may not apply to you.

This warranty gives you specific legal rights and you may also have other legal rights which vary from state to state.

# PORTER-CABLE SERVICE CENTERS

Parts and Repair Service for Porter-Cable Power Tools  
are Available at These Locations

## ALABAMA

Birmingham 35209  
131 West Oxmoor Road  
Suite 105  
Phone: (205) 942-6325

## CALIFORNIA

Los Angeles 90007  
2400 South Grand Avenue  
Phone: (213) 749-0386

Orange 92668  
385 North Anaheim Blvd.  
Phone: (714) 634-4111

San Leandro 94577  
3039 Teagarden Street  
Phone: (415) 357-9762

## COLORADO

Denver 80207  
4900 East 39th Avenue  
Phone: (303) 388-5803

## CONNECTICUT

Manchester 06040 (Hartford)  
57 Tolland Turnpike  
Phone: (203) 646-1078

## FLORIDA

Hialeah 33014  
16373-75 NW 57th Ave.  
Phone: (305) 624-2523

Jacksonville 32205  
517 Cassat Avenue  
Phone: (904) 387-4455

Tampa 33609  
4538 W. Kennedy Boulevard  
Phone: (813) 877-9585

Orlando 32803  
1807½ Winter Park Road  
Phone: (305) 644-8100

## GEORGIA

Forest Park 30050 (Atlanta)  
4017 Jonesboro Road  
Phone: (404) 363-8000

## ILLINOIS

Addison 60161  
311 Laura Drive  
Phone: (312) 628-6100

## INDIANA

Indianapolis 46268  
5317 West 86th Street  
Park 100—Building 6  
Phone: (317) 875-9078

## LOUISIANA

Kenner 70062 (New Orleans)  
2440-0 Veterans Memorial Blvd.  
Phone: (504) 469-7363

## MARYLAND

Baltimore 21205  
4714 Erdman Avenue  
Phone: (301) 483-3100

Hyattsville 20781  
4811 Kenilworth Avenue  
Phone: (301) 779-8080

## MASSACHUSETTS

Allston 02134 (Boston)  
414 Cambridge Street  
Phone: (617) 782-1700

## MICHIGAN

Grand Rapids 49506  
Indian Village Mall  
2750 Birchcrest Drive S.E.  
Phone: (616) 949-9040

Southfield 48075 (Detroit)  
18650 W. Eight Mile Road  
Phone: (313) 569-4333

## MINNESOTA

Minneapolis 55429  
4315 68th Avenue North  
Phone: (612) 561-9080

## MISSOURI

North Kansas City 64116  
1141 Swift Avenue  
P.O. Box 12393  
Phone: (816) 221-2070

St. Louis 63139  
2348 Hampton Avenue  
Phone: (314) 644-3166

## NEW JERSEY

Union 07083  
945 Ball Avenue  
Phone: (201) 964-1730.

## NEW YORK

New York 10013 (Manhattan)  
132 Lafayette Street  
Phone: (212) 966-2726

Flushing 11365  
175-25 Horace Harding Expwy.  
Phone: (212) 225-2040

Syracuse 13224  
2740 Erie Blvd. East  
Phone: (315) 445-1922

## NORTH CAROLINA

Charlotte 28209  
4612 South Boulevard  
Phone: (704) 525-4410

## OHIO

Columbus 43214  
4560 Indianola Avenue  
Phone: (614) 263-0929

## OKLAHOMA

Oklahoma City 73107  
3631 Northwest 23rd Street  
Phone: (405) 946-5437

## OREGON

Portland 97212  
51 N.E. Hancock  
Phone: (503) 288-6888

## PENNSYLVANIA

Bensalem 19020 (Philadelphia)  
I-95 Industrial Center  
3599 Meadow Lane  
Phone: (215) 638-4114

## RHODE ISLAND

East Providence 02914  
1009 Waterman Avenue  
Phone: (401) 434-3620

## TENNESSEE

Memphis 38116  
1004 East Brooks Road  
Phone: (901) 332-1353

## TEXAS

Dallas 75247  
3160 Commonwealth Drive  
Suite 180, Commonwealth Plaza  
Phone: (214) 631-7855

Houston 77092  
5201 Mitchelldale B-9  
Phone: (713) 682-0334

San Antonio 78218  
Suite 107  
2800 N.E. Loop 410  
Phone: (512) 654-1061

## UTAH

Salt Lake City 84115  
2990 Southwest Temple  
Phone: (801) 487-4953

## VIRGINIA

Richmond 23230  
1705 Dabney Road  
Phone: (804) 257-7348

## WASHINGTON

Renton 98055 (Seattle)  
268 Southwest 43rd Street  
Phone: (206) 251-6680

## WISCONSIN

Milwaukee 53222  
10700 W. Burleigh Street  
Phone: (414) 774-3650

Authorized Porter-Cable Service Stations are located in all large cities. For the one nearest you, see the classified section in your phone book (under "Tools - Electric").

Printed in U.S.A.

## Free Manuals Download Website

<http://myh66.com>

<http://usermanuals.us>

<http://www.somanuals.com>

<http://www.4manuals.cc>

<http://www.manual-lib.com>

<http://www.404manual.com>

<http://www.luxmanual.com>

<http://aubethermostatmanual.com>

Golf course search by state

<http://golfingnear.com>

Email search by domain

<http://emailbydomain.com>

Auto manuals search

<http://auto.somanuals.com>

TV manuals search

<http://tv.somanuals.com>