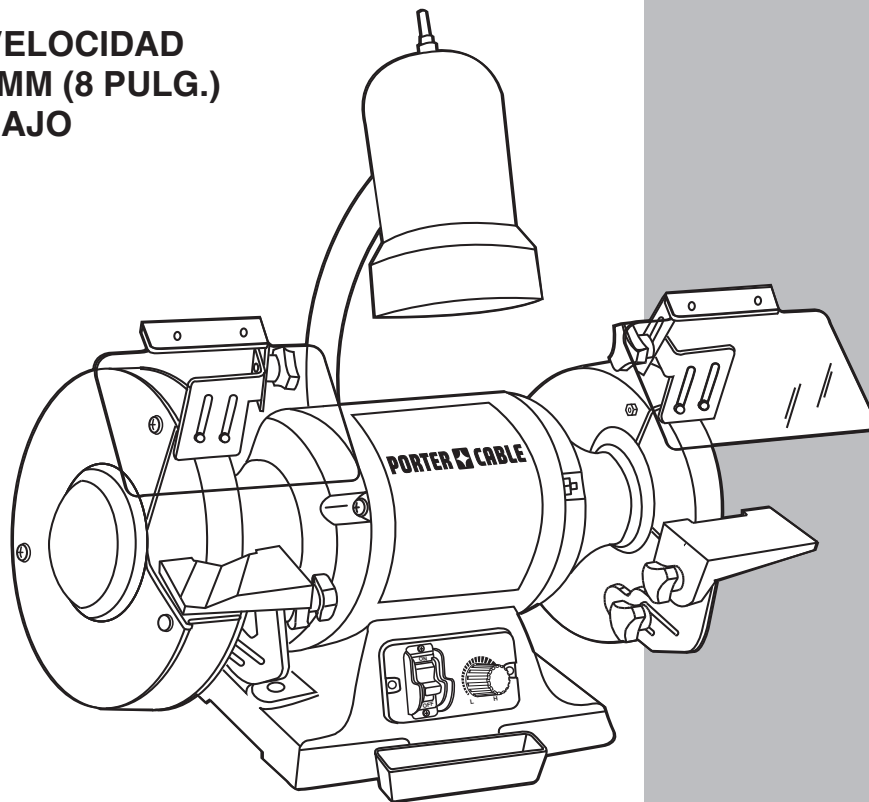


# PORTER CABLE®

**8 IN. (200 MM) VARIABLE SPEED  
GRINDER WITH WORKLIGHT**

**MEULE À VITESSE VARIABLE DE  
200 MM (8 PO) AVEC BALADEUSE**

**AMOLADORA DE VELOCIDAD  
VARIABLE DE 200 MM (8 PULG.)  
CON LUZ DE TRABAJO**



## **Instruction Manual**

Manuel d'instructions

Manual de instrucciones

[www.portercable.com](http://www.portercable.com)

INSTRUCTIVO DE OPERACIÓN, CENTROS  
DE SERVICIO Y PÓLIZA DE GARANTÍA.

**⚠ ADVERTENCIA:** LÉASE ESTE  
INSTRUCTIVO ANTES DE USAR EL  
PRODUCTO.

**CATALOG NUMBER  
PCB575BG**

# TABLE OF CONTENTS

SECTION	PAGE
PRODUCT SPECIFICATIONS .....	2
CALIFORNIA PROPOSITION 65 .....	2
SAFETY GUIDELINES - DEFINITIONS .....	3
POWER TOOL SAFETY .....	4
BENCH GRINDER SAFETY .....	5
ELECTRICAL REQUIREMENTS AND SAFETY .....	7
TOOLS NEEDED FOR ASSEMBLY .....	8
CARTON CONTENTS .....	8
KNOW YOUR BENCH GRINDER .....	9
ASSEMBLY AND ADJUSTMENTS .....	10
OPERATION .....	13
MAINTENANCE .....	15
TROUBLESHOOTING GUIDE.....	16
ACCESSORIES AND ATTACHMENTS .....	17
PARTS LIST .....	18
WARRANTY .....	20

## PRODUCT SPECIFICATIONS

### MOTOR

Power source .....	120 V AC, 60 HZ, 5 A
Horsepower .....	3/4 HP
Speed .....	2000 ~ 3400 RPM
Type.....	Induction
Shaft diameter .....	5/8 in. (15.88 mm)
Switch .....	ON/OFF

### WHEEL

Diameter .....	8 in. (200 mm)
Face .....	1 in. (25 mm)
Hole .....	5/8 in. (15.88 mm)
<b>LIGHT BULB</b> (not included)	40 W (maximum)

### WARNING

To avoid electrical hazards, fire hazards or damage to the tool, use proper circuit protection. Use a separate electrical circuit for your tools. The grinder is wired at the factory for 110-120 Volt operation. It must be connected to a 120 V, 5 AMP branch circuit and use a 5 AMP time delay fuse or circuit breaker. To avoid shock or fire, replace power cord immediately if it is worn, cut or damaged in any way.

## CALIFORNIA PROPOSITION 65

### WARNING

Some dust created by power sanding, sawing, grinding, drilling and other construction activities contains chemicals known to the state of California to cause cancer, birth defects or other reproductive harm. Some examples of these chemicals are:

- Lead from lead-based paints,
- Crystalline silica from bricks and cement and other masonry products, and
- Arsenic and chromium from chemically-treated lumber.

Your risk from these exposures varies, depending on how often you do this type of work. To reduce your exposure to these chemical: work in a well ventilated area, and work with approved safety equipment, such as those dust masks that are specially designed to filter out microscopic particles. Avoid prolonged contact with dust from power sanding, sawing, grinding, drilling, and other construction activities. Wear protective clothing and wash exposed areas with soap and water. Allowing dust to get into your mouth, eyes, or lay on the skin may promote absorption of harmful chemicals.

### WARNING

Use of this tool can generate and/or disperse dust, which may cause serious and permanent respiratory or other injury. Always use NIOSH/OSHA approved respiratory protection appropriate for the dust exposure. Direct particles away from face and body.

# SAFETY GUIDELINES - DEFINITIONS

## WARNING ICONS

Your power tool and its Instruction Manual may contain “WARNING ICONS” (a picture symbol intended to alert you to, and/or instruct you how to avoid, a potentially hazardous condition). Understanding and heeding these symbols will help you operate your tool better and safer. Shown below are some of the symbols you may see.



**SAFETY ALERT:** Precautions that involve your safety.



**PROHIBITION**



**WEAR EYE PROTECTION:** Always wear safety goggles or safety glasses with side shields.



**READ AND UNDERSTAND INSTRUCTION MANUAL:** To reduce the risk of injury, user and all bystanders must read and understand instruction manual before using this product.



**KEEP HANDS AWAY FROM BLADE:** Failure to keep your hands away from the blade will result in serious personal injury.



**SUPPORT AND CLAMP WORK**

**! DANGER**

**DANGER:** Indicates an imminently hazardous situation which, if not avoided, will result in death or serious injury.

**! WARNING**

**WARNING:** Indicates a potentially hazardous situation which, if not avoided, could result in death or serious injury.

**! CAUTION**

**CAUTION:** Indicates a potentially hazardous situation which, if not avoided, may result in minor or moderate injury.

**CAUTION**

**CAUTION:** Used without the safety alert symbol indicates a potentially hazardous situation which, if not avoided, may result in property damage.




# POWER TOOL SAFETY

## GENERAL SAFETY INSTRUCTIONS BEFORE USING THIS POWER TOOL


Safety is a combination of common sense, staying alert and knowing how to use your power tool.

### **WARNING**

To avoid mistakes that could cause serious injury, do not plug the tool in until you have read and understood the following.

-  **1. READ** and become familiar with the entire Instruction Manual. **LEARN** the tool's application, limitations and possible hazards.
- 2. KEEP GUARDS IN PLACE** and in working order.
- 3. REMOVE ADJUSTING KEYS AND WRENCHES.** Form the habit of checking to see that keys and adjusting wrenches are removed from the tool before turning ON.
- 4. KEEP WORK AREA CLEAN.** Cluttered areas and benches invite accidents.
- 5. DO NOT USE IN DANGEROUS ENVIRONMENTS.** Do not use power tools in damp locations, or expose them to rain or snow. Keep work area well lit.
- 6. KEEP CHILDREN AWAY.** All visitors and bystanders should be kept a safe distance from work area.
- 7. MAKE WORKSHOP CHILD PROOF** with padlocks, master switches or by removing starter keys.
- 8. DO NOT FORCE THE TOOL.** It will do the job better and safer at the rate for which it was designed.
- 9. USE THE RIGHT TOOL.** Do not force the tool or an attachment to do a job for which it was not designed.
- 10. USE PROPER EXTENSION CORDS.** Make sure your extension cord is in good condition. When using an extension cord, be sure to use one heavy enough to carry the current your product will draw. An undersized cord will result in a drop in line voltage and in loss of power which will cause the tool to overheat. The table on page 7 shows the correct size to use depending on cord length and nameplate ampere rating. If in doubt, use the next heavier gauge. The smaller the gauge number, the heavier the cord.
- 11. WEAR PROPER APPAREL.** Do not wear loose clothing, gloves, neckties, rings, bracelets or other jewelry which may get caught in moving parts. Non-slip footwear is recommended. Wear protective hair covering to contain long hair.
-  **12. ALWAYS WEAR EYE PROTECTION.** Any power tool can throw foreign objects into the eyes and could cause permanent eye damage. **ALWAYS** wear Safety Goggles (not glasses) that comply with ANSI Safety standard Z87.1. Everyday eyeglasses have only impact-resistant lenses. They **ARE NOT** safety glasses. **NOTE:** Glasses or goggles not in compliance with ANSI Z87.1 could seriously injure you when they break.
- 13. WEAR A FACE MASK OR DUST MASK.** Sawing operation produces dust.
-  **14. SECURE WORK.** Use clamps or a vise to hold work when practical. It is safer than using your hand and it frees both hands to operate the tool.
- 15. DISCONNECT TOOLS FROM POWER SOURCE** before servicing, and when changing accessories such as blades, bits and cutters.
- 16. REDUCE THE RISK OF UNINTENTIONAL STARTING.** Make sure switch is in the OFF position before plugging the tool in.
- 17. USE RECOMMENDED ACCESSORIES.** Consult this Instruction Manual for recommended accessories. The use of improper accessories may cause risk of injury to yourself or others.
- 18. NEVER STAND ON THE TOOL.** Serious injury could occur if the tool is tipped or if the cutting tool is unintentionally contacted.
- 19. CHECK FOR DAMAGED PARTS.** Before further use of the tool, a guard or other part that is damaged should be carefully checked to determine that it will operate properly and perform its intended function – check for alignment of moving parts, binding of moving parts, breakage of parts, mounting and any other conditions that may affect its operation. A guard or other part that is damaged should be properly repaired or replaced.
- 20. NEVER LEAVE THE TOOL RUNNING UNATTENDED. TURN THE POWER “OFF”.** Do not walk away from a running tool until the grinding wheels come to a complete stop and the tool is unplugged from the power source.
- 21. DO NOT OVERREACH.** Keep proper footing and balance at all times.
- 22. MAINTAIN TOOLS WITH CARE.** Keep tools sharp and clean for best and safest performance. Follow instructions for lubricating and changing accessories.
- 23. DO NOT** use power tool in presence of flammable liquids or gases.
- 24. DO NOT** operate the tool if you are under the influence of any drugs, alcohol or medication that could affect your ability to use the tool properly.
- 25.** Dust generated from certain materials can be hazardous to your health. Always operate tool in well-ventilated area and provide for proper dust removal.
- 26. WEAR HEARING PROTECTION** to reduce the risk of induced hearing loss.

# BENCH GRINDER SAFETY

-  Wear eye protection that complies with ANSI Z87.1 specifications.
- Use grinding wheels suitable for the speeds of the grinder.
- Stand beside the bench grinder during start-up, not facing directly in front.
- Do not remove the wheel guard.
- Do not use the grinding wheel to cut anything.
- Do not use anything to stress the grinding wheel.
- Use a grinding wheel dressing tool to shape or remove glaze from grinding wheels.
- Adjust distance between wheel and tool rest to maintain 1/8 inch (3.2 mm) or less separation as the diameter of the wheel decreases with use.
- Connect to a supply circuit protected by a circuit breaker or time-delay fuse.
- Secure the bench grinder to its supporting surface to prevent the grinder from tipping over, sliding, or walking on its supporting surface.
  - Replace a cracked wheel immediately.
  - Always use the guards and eye shields.
  - Do not overtighten the wheel nut.
  - Use only flanges furnished with this grinder.
- Always inspect grinding wheels prior to use for cracks, missing pieces, etc. Replace wheel immediately before use.
- USE ONLY GRINDING WHEELS** that comply with ANSI B7.1 and rated greater than 3450 RPM.
- GUARD AGAINST ELECTRICAL SHOCK** by preventing body contact with grounded surfaces. For example: pipes, radiators, ranges, refrigerator enclosures.
- DO NOT** use wheels with incorrect size holes. **NEVER** use wheel washers or wheel screws that are defective or incorrect, and **NEVER** touch a grinding wheel or other moving parts.
- NEVER** reach to pick up a workpiece, a piece of scrap, or anything else that is in or near the grinding path of the wheel.
- AVOID AWKWARD OPERATIONS AND HAND POSITIONS** where a sudden slip could cause your hand to move into the wheel. **ALWAYS** make sure you have good balance.
- NEVER** stand or have any part of your body in line with the path of the wheel.
- DO NOT USE TOOL IF SWITCH DOES NOT TURN IT ON AND OFF.** Have defective switches replaced by an authorized service center.
- DO NOT TURN THE MOTOR SWITCH ON AND OFF RAPIDLY.** This could cause the wheel to loosen and create a hazard. Should this ever occur, stand clear and allow the wheel to come to a complete stop. Disconnect your grinder from the power supply and retighten the wheel nut securely.
- RISK OF INJURY DUE TO ACCIDENTAL STARTING.** Do not use in an area where children may be present.
- NEVER START THE GRINDER** when the wheel is in contact with the workpiece.
- SECURE WORK.** Always hold the workpiece firmly against the work rest.
- DO NOT USE THE BENCH GRINDER** if the flange nut or clamp nut is missing or if the spindle shaft is bent.
- FREQUENTLY** clean grinding dust from beneath the grinder.
- DO NOT OPERATE THIS TOOL WHILE UNDER THE INFLUENCE OF DRUGS, ALCOHOL OR ANY MEDICATION.**
- ALWAYS STAY ALERT.** Do not allow familiarity (gained from frequent use of your grinder) to cause a careless mistake. **ALWAYS REMEMBER** that a careless fraction of a second is sufficient to inflict severe injury.
- STAY ALERT AND EXERCISE CONTROL.** Watch what you are doing and use common sense. Do not operate the tool when you are tired. Do not rush.
- SAVE THESE INSTRUCTIONS.** Refer to them frequently and use them to instruct other users. If you loan someone this tool, loan them these instructions also.
- ALWAYS EASE THE WORKPIECE AGAINST THE ABRASIVE WHEEL** when starting to grind. A harsh impact can break the wheel. Use light pressure when starting to grind. Too much pressure on a cold wheel can cause the wheel to crack.
- USE ONLY FLANGES** furnished with this bench grinder.

# BENCH GRINDER SAFETY

31. **IF ANY PART OF THIS GRINDER IS MISSING** or should break, bend, fail in any way, or should any electrical component fail to perform properly, shut off the power switch, remove the machine plug from the power source and have damaged, missing, or failed parts replaced before resuming operation.
32. **SAFETY SHIELD AND SPARK DEFLECTOR.** The safety shields and spark deflectors are adjustable for operator convenience. Operating the grinder without these features attached could result in serious injury. Do not grind with the safety shield raised. Always wear safety glasses for personal protection.
33. **WORK REST.** The work rests are independently adjustable to compensate for wheel wear. Before grinding, make certain the work rests are adjusted properly. Generally, the object being ground is done slightly above the center of the grinding wheel.
34. Lawn mower blades are usually sharpened on only one edge and dressed up slightly on the other. Perform this sharpening process on both cutting ends of the blade. After sharpening, balance the blade by removing additional material.



# ELECTRICAL REQUIREMENTS AND SAFETY

## POWER SUPPLY AND MOTOR SPECIFICATIONS

### ⚠ WARNING

To avoid electrical hazards, fire hazards, or damage to the tool, use proper circuit protection. Use a separate electrical circuit for your tool. Your grinder is wired at the factory for 120 V operation. Connect to a 120 V, 5 Amp circuit and use a 5 Amp time delay fuse or circuit breaker. To avoid shock or fire, if power cord is worn, cut, or damaged in any way, have it replaced immediately.

## GROUNDING INSTRUCTIONS

### ⚠ WARNING

This tool must be grounded while in use to protect the operator from electrical shock.

### IN THE EVENT OF A MALFUNCTION OR

**BREAKDOWN**, grounding provides a path of least resistance for electric currents and reduces the risk of electric shock. This tool is equipped with an electrical cord that has an equipment-grounding conductor and a grounding plug. The plug must be plugged into a matching receptacle that is properly installed and grounded in accordance with all local codes and ordinances.

**DO NOT MODIFY THE PLUG PROVIDED.** If it will not fit the receptacle, have the proper receptacle installed by a qualified electrician.

**IMPROPER CONNECTION** of the equipment grounding conductor can result in risk of electric shock. The conductor with the green insulation (with or without yellow stripes) is the equipment grounding conductor. If repair or replacement of the electrical cord or plug is necessary, do not connect the equipment grounding conductor to a live terminal.

**CHECK** with a qualified electrician or service person if you do not completely understand the grounding instructions, or if you are not certain the tool is properly grounded.

**USE only 3-wire extension cords that have three-pronged grounding plugs with three-pole receptacles that accept the tool's plug. Repair or replace damaged or worn cords immediately.**

Use a separate electrical circuit for your tool. This circuit must not be less than #18 wire and should be protected with a 5 Amp time lag fuse. Before connecting the motor to the power line, make sure the switch is in the off position and the electric current is rated the same as the current stamped on the motor nameplate. Running at a lower voltage will damage the motor.

## GUIDELINES FOR EXTENSION CORDS

**USE THE PROPER EXTENSION CORD.** Make sure your extension cord is in good condition. Use an extension cord heavy enough to carry the current your product will draw. An undersized cord will cause a drop in line voltage resulting in loss of power, overheating

and burning out of the motor. The table below shows the correct size to use depending on cord length and nameplate ampere rating. If in doubt, use the next heavier gauge. The smaller the gauge number, the heavier the cord.

Make sure your extension cord is properly wired and in good condition. Always replace a damaged extension cord or have it repaired by a qualified technician before using it. Protect your extension cords from sharp objects, excessive heat and damp or wet areas.

MINIMUM GAUGE FOR EXTENSION CORDS (AWG)				
(When using 120 volts only)				
Ampere Rating		Total length of Cord		
More Than	Not More Than	25 (7.62)	50 15.24	100 30.48
		150 45.72	ft. m)	
AWG- American Wire Gauge				
0	6	18	16	14
6	10	18	16	12
10	12	16	16	12
12	16	14	12	Not Recommended

### ⚠ WARNING

This tool is for indoor use only. Do not expose to rain or use in damp locations.

This tool is intended for use on a circuit that has a receptacle like the one illustrated in Fig. 1. Fig. 1 shows a three-pronged electrical plug and receptacle that has a grounding conductor. If a properly grounded receptacle is not available, an adapter (Fig. 2) can be used to temporarily connect this plug to a two-contact grounded receptacle. The adapter (Fig. 2) has a rigid lug extending from it that MUST be connected to a permanent earth ground, such as a properly grounded receptacle box.

### ⚠ CAUTION

In all cases, make certain the receptacle is properly grounded. If you are not sure, have a qualified electrician check the receptacle.

Fig. 1

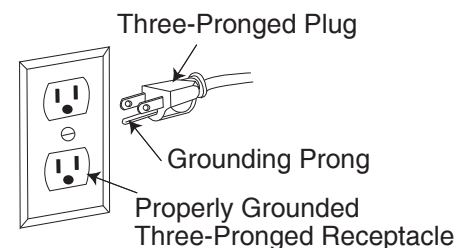
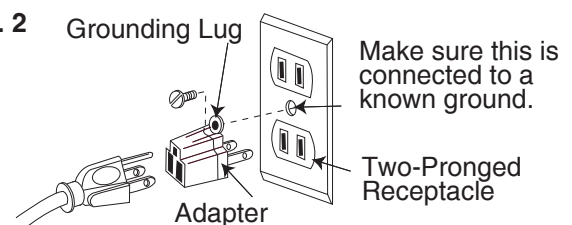
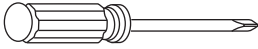


Fig. 2

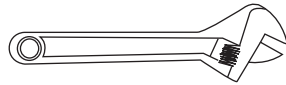


## TOOLS NEEDED FOR ASSEMBLY

Not supplied



Phillips screwdriver



Adjustable wrench

## CARTON CONTENTS

### UNPACKING AND CHECKING CONTENTS

Carefully unpack the grinder and all its parts, and compare against the list below and the illustration to the right. With the help of an assistant place the grinder on a secure surface and examine it carefully.

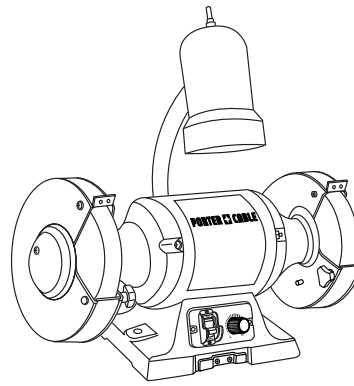
### ! WARNING

- To avoid injury from unexpected starting or electrical shock, do not plug the power cord into a source of power during unpacking and assembly. This cord must remain unplugged whenever you are adjusting/ assembling the grinder.
- The grinder is heavy and should be lifted with care. If needed, get the assistance of someone to lift and move the grinder.
- If any part is missing or damaged, do not attempt to assemble the grinder, or plug in the power cord until the missing or damaged part is correctly replaced.

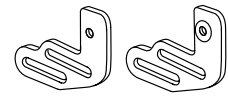
### TABLE OF LOOSE PARTS

ITEM	DESCRIPTION	QUANTITY
A.	Bench grinder	1
B.	Tool rest mounting bracket	2
C.	Tool rest	2
D.	Tool rest & eye shield hardware bag	
	Locking knob / flat washer	2 each
	Locking nut knob / flat washer / carriage bolt	2 each
E.	Spark guards	2
F.	Spark guard hardware bag	
	Phillips screw	4
	Lock washer	4
	Flat washer	4
G.	Right / left eye shields	1 each
H.	Coolant tray	1
I.	Wheel dressing tool	1

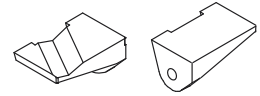
## UNPACKING YOUR BENCH GRINDER



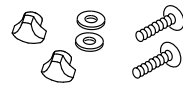
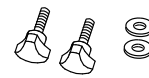
A



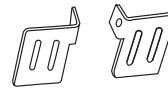
B



C



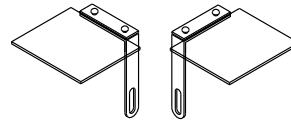
D



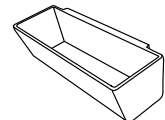
E



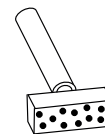
F



G



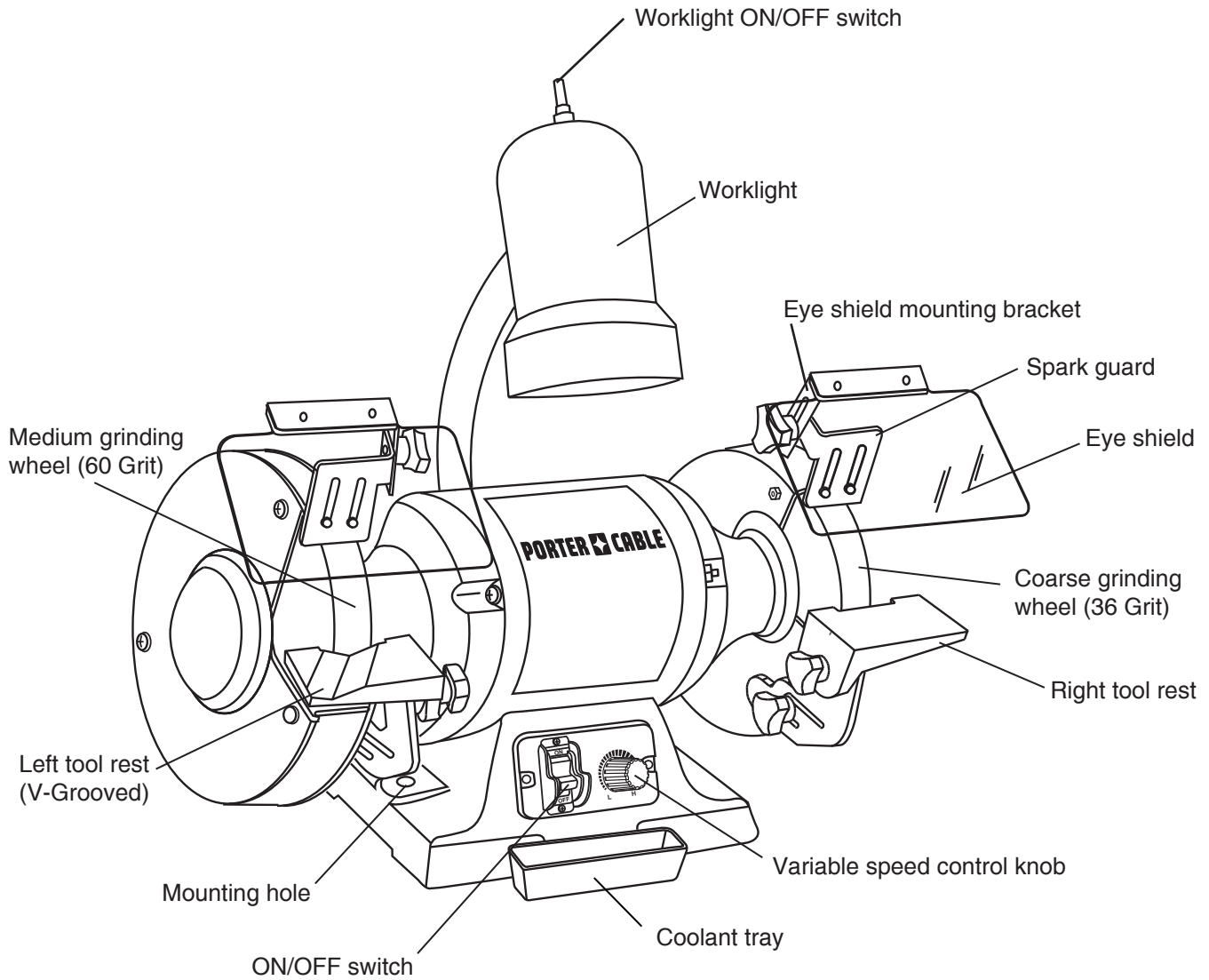
H



I



# KNOW YOUR BENCH GRINDER



# ASSEMBLY AND ADJUSTMENTS

Estimated Assembly Time: 10 - 20 minutes.

## ⚠ CAUTION

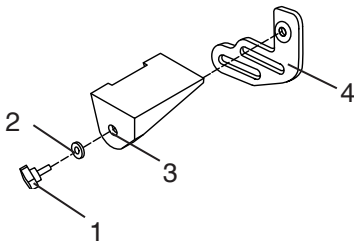
To avoid injury, make sure all parts are assembled and adjusted properly before plugging the grinder into a power outlet and turning it ON.

### INSTALLING TOOL RESTS (FIG. A, B, C)

1. **Bag "D"** - Insert the lock knob (1) through the flat washer (2) and the right side tool rest (3) to the right side tool rest mounting bracket (4) as shown.

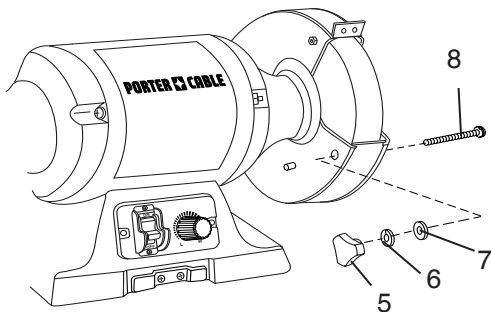
**NOTE:** The grooved tool rest mounts on the left side of grinder.

Fig. A



2. Remove the knob (5), lock washer (6) and flat washer (7) from the carriage bolt (8) on the lower portion of the wheel guard.

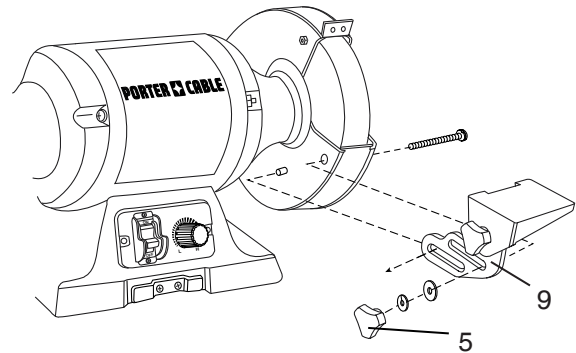
Fig. B



3. Attach the tool rest assembly (9) to the grinder as shown.
4. Replace the washers and the lock knob (5).
5. Repeat the procedure for the left side tool rest.

**NOTE:** When in use, the tool rests should be adjusted to within 1/8 in. (3.2 mm) of the grinding wheel or other accessory being used.

Fig. C

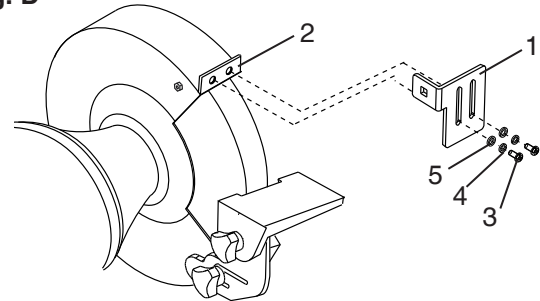


### INSTALLING THE SPARK GUARDS (FIG. D)

1. **Bag "F"** - Attach the right spark guard (1) to the extended pad (2) of guard by using the bolts (3), spring washers (4) and flat washers (5).
2. Repeat for the left side spark guard.

**NOTE:** As the wheel wears down, the spark guards must be re-adjusted to maintain a 1/16 in. (1.6 mm) distance.

Fig. D

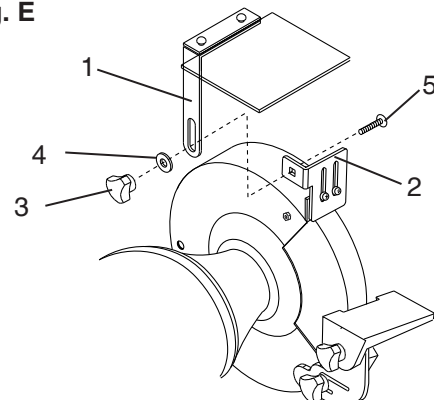


### INSTALLING THE EYE SHIELDS (FIG. E)

1. **Bag "D"** - Attach the right eye shield (1) to the spark guard (2) by using the locking nut knob (3), lock washer (4) and the carriage bolt (5).
2. Repeat for left side eye shield.

**NOTE:** Adjust eye shields to appropriate distance from tool rests avoiding interference when operation.

Fig. E



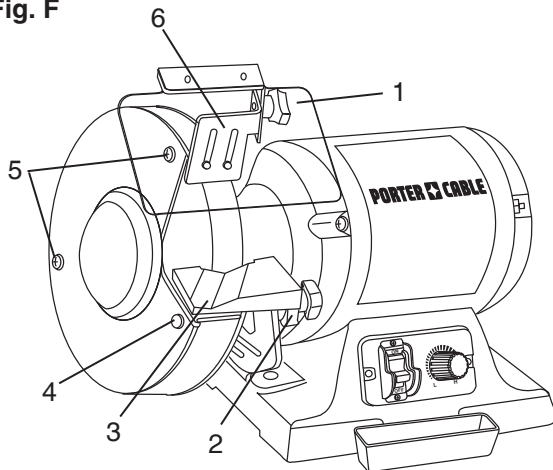
## CHANGING GRINDING WHEELS (FIG. F, G, G-1, H)

### ⚠ CAUTION

Turn off and unplug the bench grinder. Use only grinding wheels that measure 8 inches (200 mm) in diameter. This tool has 5/8 inch (15.88 mm) arbors on both sides.

1. Raise the eye shield (1) out of the way and place the spark guard (6) in its highest setting.
2. Loosen the knob (2) and remove the tool rest assembly (3) and carriage bolt (4).
3. Remove the two screws (5) from the left side wheel cover and then remove the outer cover.

Fig. F



4. To prevent wheel rotating, place a wood wedge (7) (not supplied) between the wheel and the wheel cover as shown in Fig. G.

**NOTE:** Using a metal object, like a screwdriver, is not recommended as it may damage the grinding wheel.

5. Remove the hex nut (8) (as shown in Fig. G), the wheel flange (9) and the wheel (10). (Fig. H)

Fig. G

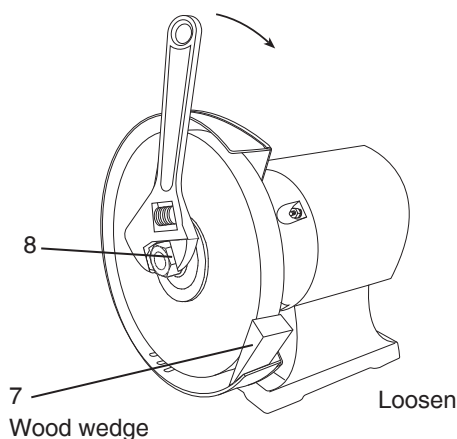
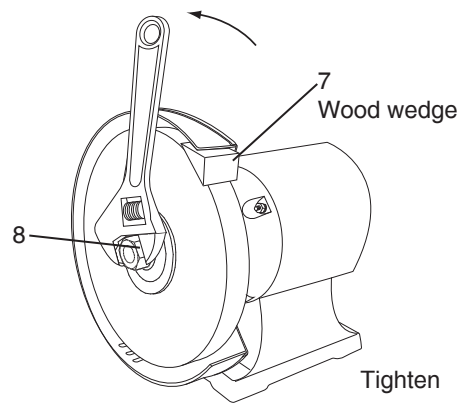


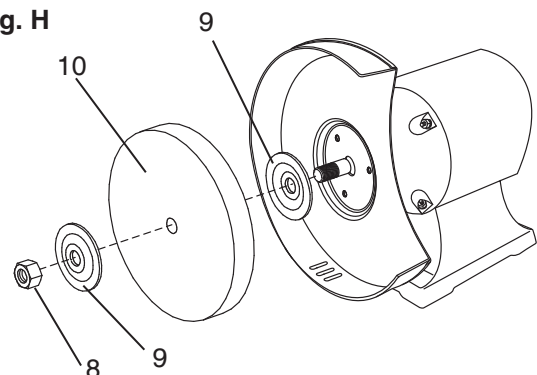
Fig. G-1



**NOTE:** The nut on the right side of the grinder has a standard right-hand thread (turn counterclockwise to loosen). The one on the left side has a left-hand thread (turn clockwise to loosen). Both wheel nuts tighten when turning toward the rear of the grinder and loosen when turning toward the front of the grinder.

6. Inspect the wheel (10) for cracks, chips or any other visible damage (other than normal wear) and discard if such damage is found. Inspect the blotter/ cardboard disc for damage. If the blotter is missing or severely damaged, replace it with a piece of thin cardboard or blotter paper cut in the same shape. **NEVER USE A GRINDING WHEEL WITHOUT A BLOTTER.**
7. Install the new wheel or other accessory. Make sure both wheel flanges (9) are in place with the concave sides toward wheels. (Fig. H)
8. Place a wood wedge (7) (not supplied) between the wheel and the wheel cover as shown in Fig. G-1. **NOTE:** Do not overtighten the nut as this can crack the grinding wheel (10).
9. Replace the wheel cover and screws.
10. Adjust the tool rest to 1/8 in. (3.2 mm) away from the wheel and tighten securely.
11. Reattach and adjust the eye shield to a point between your eyes and the wheel.
12. Set the spark guard 1/16 in. (1.6 mm) away from the wheel.

Fig. H

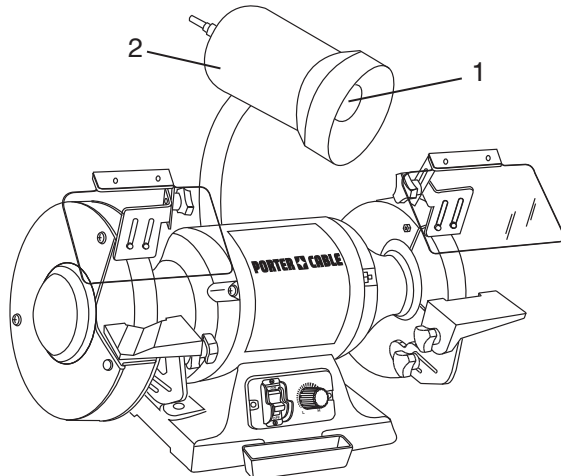


### REPLACING THE BULB (FIG. I)

**NOTE:** Bulb is not included.

1. Remove the light bulb (1) from lampshade (2).
2. Install the new light bulb (40 W bulb maximum) into lampshade (2).

Fig. I



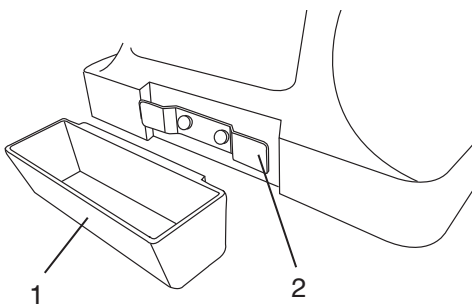
### ⚠ CAUTION

- To avoid injury from an accidental start, make sure the switch is in the OFF position and the plug is not connected to a power outlet.
- To prevent injury resulting from heat of the light bulb, never touch the light bulb until it has completely cooled.
- To prevent electric shock, never touch any part of the light bulb when the plug is connected to a power outlet.
- It is recommended to use a vibration-resistant light bulb for this grinder.

### INSTALLING THE COOLANT TRAY (FIG. J)

1. Hang the coolant tray (1) on the clips (2).

Fig. J

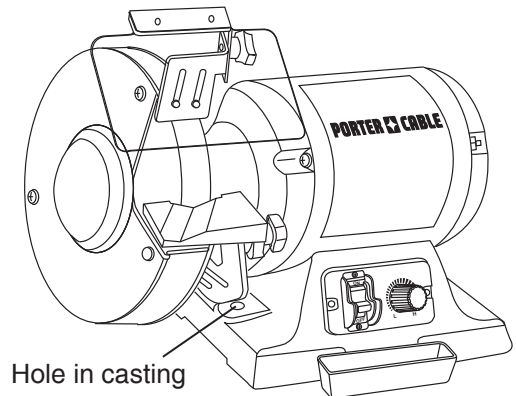


### MOUNTING THE TOOL ON A WORKBENCH (FIG. K)

**NOTE:** We highly recommend that you bolt this bench grinder securely to a workbench to gain maximum stability for your machine.

1. Using the base of the bench grinder as a template, mark the bench through the holes in the casting.
2. Bolt the bench grinder on the bench with bolts, washers and nuts. Note that these fasteners are not supplied with the machine.

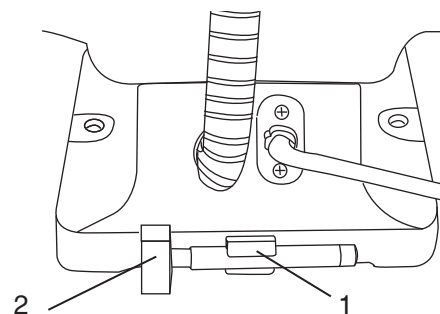
Fig. K



### WHEEL DRESSING TOOL STORAGE (Fig. L)

Storage clips (1) for the wheel dressing tool (2) are located on the rear of the grinder.

Fig. L



# OPERATION

## STARTING AND STOPPING THE GRINDER (FIG. M)

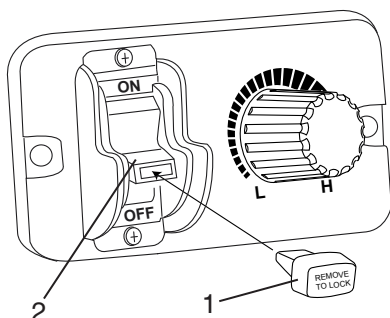
The "ON / OFF" switch has a removable, black plastic key. With the key removed from the switch, unauthorized and hazardous use by children and others is minimized.

1. To turn the grinder "ON", insert key (1) into the slot of the switch (2), and move the switch to the "ON" position.
2. To turn the grinder "OFF", move the switch to the "OFF" position.
3. To lock the switch in the "OFF" position, grasp the end, of the switch key, and pull it out.
4. With the switch key removed, the switch will not operate.
5. If the switch key is removed while the grinder is running, it can be turned "OFF" but cannot be restarted without inserting the switch key.

### ⚠ CAUTION

**Always lock the switch "OFF" when the grinder is not in use. Remove the key and keep it in a safe place. In the event of a power failure, blown fuse, or tripped circuit breaker, turn the switch "OFF" and remove the key, preventing an accidental startup when the power comes on.**

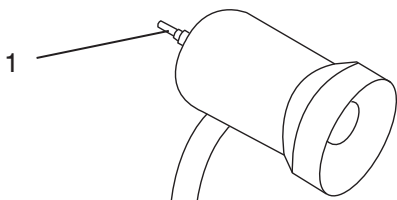
Fig. M



## USING THE WORKLIGHT (FIG. N)

1. To turn the worklight "ON", rotate the worklight switch (1) counterclockwise.
2. To turn the worklight "OFF", rotate the worklight switch (1) clockwise.

Fig. N



### ⚠ CAUTION

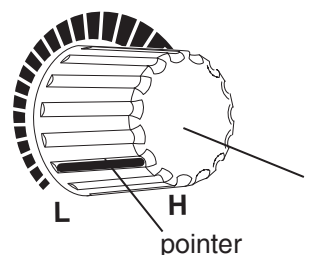
- To avoid injury from an accidental start, make sure the switch is in the OFF position and the plug is not connected to a power outlet.
- To prevent injury resulted from heat of the light bulb, never touch the light bulb until it has completely cooled.
- To prevent electric shock, never touch any part of the light bulb when the plug is connected to a power outlet.
- It's recommended to use a vibration-resistant light bulb for this grinder.

## ADJUSTING THE SPEED OF GRINDER (FIG. O)

Your grinder is equipped with a variable speed control knob. The speed of the grinder may be adjusted by simply rotating the variable speed control knob (1).

1. To increase speed, rotate the variable speed control knob (1) clockwise.
2. To reduce speed, rotate the variable speed control knob (1) counterclockwise.

Fig. O



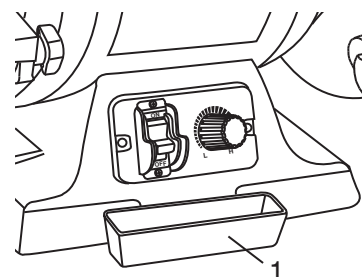
## COOLING WORKPIECE (FIG. P)

The coolant tray (1) allows you to cool overheated workpieces. Simply pull upward the tray and half fill with appropriate coolant, such as water.

### ⚠ CAUTION

**Do not overfill the coolant tray.**

Fig. P



## GENERAL OPERATION

### ⚠ CAUTION

Keep all bystanders a safe distance away from the tool and not in direct line, front or back of the grinder.

1. Your bench grinder has a medium wheel (60 grit) for medium material removal and general purpose grinding, and a coarse wheel (36 grit) for fast material removal.
2. To operate the bench grinder, always wear safety glasses and turn the tool on while standing at the side and not in front of the grinder. Allow it to reach full speed before grinding.
3. Hold the work piece firmly against the tool rest. Hold very small pieces with pliers or other suitable clamps.
4. Feed the work piece smoothly and evenly into the grinding wheel.
5. Move the work piece slowly and avoid jamming the work piece against the wheel. If the wheel tends to slow down from excessive force, you should occasionally release the pressure to let the wheel return to full speed.
6. Grind only on the face of the grinding wheel and never the side of it. (Some wheels are designed for side grinding and will say so on their blotters/ cardboard disc.)

### ⚠ CAUTION

Prolonged grinding will cause most materials to become hot. Use care when handling such materials.

## SCISSORS

If possible, take the scissors apart to make the sharpening operation easier and safer. Remove material only from the outside surface and work from the heavy end of the blade toward the tip.

## KNIVES

Remove metal from both faces of most knives, working from the heavy end of the blade toward the tip.

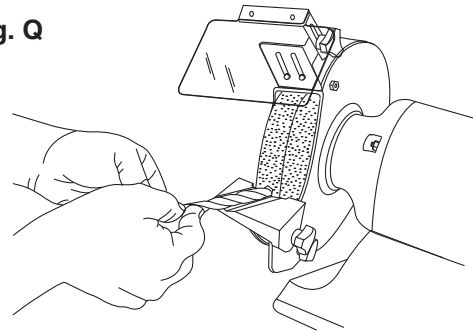
## SCREWDRIVERS

The end of a properly sharpened screwdriver will be a perfect rectangle, absolutely flat and perpendicular to the center line of the shank. The two sides and two faces will taper outward from the edge of the shoulder or shank. They should be flat with intersecting faces perpendicular. Hold each face of the screwdriver against the wheel to true it up, then ease the end straight into the stone to grind it true.

## TWIST DRILL BITS (FIG. Q)

Drill bits are best sharpened on a sharpening jig, available at most hardware stores, but can be “dressed up” on your grinder. Begin on one side of the point at the existing angle, then twist the bit while maintaining a constant angle with grinding surface. Sharpen only the tip. This technique requires considerable practice, so take your time and make a few “dry runs” first with the grinder off. Be sure to maintain the original cutting edge angle as this is important to the efficiency of your bits. One tool rest has a V-groove that is correctly angled for most drill bits.

Fig. Q



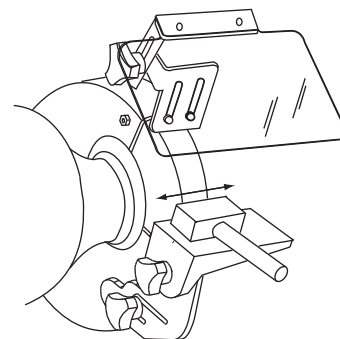
## LAWN MOWER BLADES

Lawn mower blades are usually sharpened on only one side and dressed up slightly on the other. After sharpening, be sure to balance the blade by removing additional material from the heavy end. There are a number of inexpensive cone balancers on the market for this purpose. Unbalanced blades can cause serious crank shaft damage to your lawn mower. Always remove spark plug wires from the mower before servicing the blades to prevent accidental starting.

## DRESSING A GRINDING WHEEL (FIG. R)

A wheel dressing tool is provided with the grinder. Bring the dressing tool forward on the tool rest until it touches the high point on the face of the wheel. Dress the wheel by moving the dressing tool back and forth. Repeat this operation until the face of the grinding wheel is clean and the corner of the wheel is square. **NOTE:** DO NOT use the wheel dressing tool on wire wheels.

Fig. R





# MAINTENANCE

## **⚠ CAUTION**

**For your own safety, turn switch “OFF” and remove plug from power source outlet before adjusting and maintaining your bench grinder. If power cord is worn, cut or damaged in any way, have it replaced immediately.**

## **GENERAL**

1. Regularly check the tool and use a soft brush to remove accumulated dust. Wear safety goggles to protect your eyes while cleaning.
2. If the body of the grinder needs cleaning, wipe it down with a soft, damp cloth. A mild detergent can be used. Do not use alcohol, petrol or other similar cleaning agents. Do not make contact with the grinding wheels with any damp cloth.
3. Always make sure the eyeshields are transparent and not blocking the view of the grinding wheel.
4. In normal use, grinding wheels may become cracked, grooved, rounded at the edges, chipped, out of true or loaded with foreign material. Cracked wheels should be replaced IMMEDIATELY. While any of the other conditions can be remedied with a dressing tool (included), new wheels sometimes require dressing to make them round.
5. If you must replace a wheel be sure to obtain one with a safe rated speed at least as high as the “NO LOAD” RPM marked on your grinder’s nameplate. Replacement wheels must have a 5/8 in. (15.88 mm) center hole, 8 in. (200 mm) diameter and should be a maximum of 1 in. (25 mm) wide. Test new wheels for cracks and maintain the existing sequence of retaining hardware. Be sure the tool is unplugged before attempting repairs.

## **⚠ CAUTION**

- **Never use caustic agents to clean the plastic parts of the tool.**
- **Water must never come into contact with the grinder.**
- **The use of any other accessories is not recommended and may result in serious injury.**

# TROUBLESHOOTING GUIDE

## WARNING

To avoid injury from an accidental start, turn the switch OFF and always remove the plug from the power source before making any adjustments.

### REPLACEMENT PARTS

Use only identical replacement parts. For a parts list or to order parts, visit our service website at [www.portercable.com](http://www.portercable.com). You can also order parts from your nearest Porter-Cable Factory Service Center or Porter-Cable Authorized Warranty Service Center. Or, you can call our Customer Care Center at (888) 609-9779.

### SERVICE AND REPAIRS

All quality tools will eventually require servicing and/or replacement of parts. For information about Porter-Cable, its factory service centers or authorized warranty service centers, visit our website at [www.portercable.com](http://www.portercable.com) or call our Customer Care Center at (888) 609-9779. All repairs made by our service centers are fully guaranteed against defective material and workmanship. We cannot guarantee repairs made or attempted by others.

You can also write to us for information at Power Tool Specialists, 684 Huey Road, Rock Hill, SC 29730 (888) 609-9779 - Attention: Product Service. Be sure to include all of the information shown on the nameplate of your tool (model number, type, serial number, etc.).

PROBLEM	PROBLEM CAUSE	SUGGESTED CORRECTIVE ACTION
Motor will not run.	<ol style="list-style-type: none"><li>1. Not plugged into power outlet.</li><li>2. Switch and key not in ON position.</li><li>3. Motor cord cut or abraded.</li> <li>4. Plug on cord is faulty.</li> <li>5. Faulty motor.</li> <li>6. Fuse on circuit breaks open.</li></ol>	<ol style="list-style-type: none"><li>1. Plug it into the power outlet.</li><li>2. Insert key and turn the switch ON.</li><li>3. Contact Porter-Cable Service Center or Authorized Service Station for repair or replacement.</li><li>4. Contact Porter-Cable Service Center or Authorized Service Station for repair or replacement.</li><li>5. Contact Porter-Cable Service Center or Authorized Service Station for repair or replacement.</li><li>6. Re-set; may be too many machines on line.</li></ol>
Grinding wheel vibrates or shakes.	<ol style="list-style-type: none"><li>1. Grinding wheel is not fixed properly.</li><li>2. Other.</li></ol>	<ol style="list-style-type: none"><li>1. Adjust grinding wheel properly. See ADJUSTMENT section.</li><li>2. Contact Porter-Cable Service Center or Authorized Service Station for repair or replacement.</li></ol>

For assistance with your product, visit our website at [www.portercable.com](http://www.portercable.com) for a list of service centers, or call the Porter-Cable Customer Care Center at (888) 609-9779.

# ACCESSORIES AND ATTACHMENTS

## AVAILABLE ACCESSORIES

### WARNING

Since accessories, other than those offered by Porter-Cable, have not been tested with this product, use of such accessories with this tool could be hazardous.

To reduce the risk of injury, only Porter-Cable recommended accessories should be used with this product.

A complete line of accessories is available from your Porter-Cable Factory Service Center or a Porter-Cable Authorized Warranty Service Center. Please visit our Web Site [www.portercable.com](http://www.portercable.com) for a catalog or for the name of your nearest supplier.

### WARNING

Do not use any accessory unless you have completely read the Instruction Manual for that accessory.

# PARTS LIST

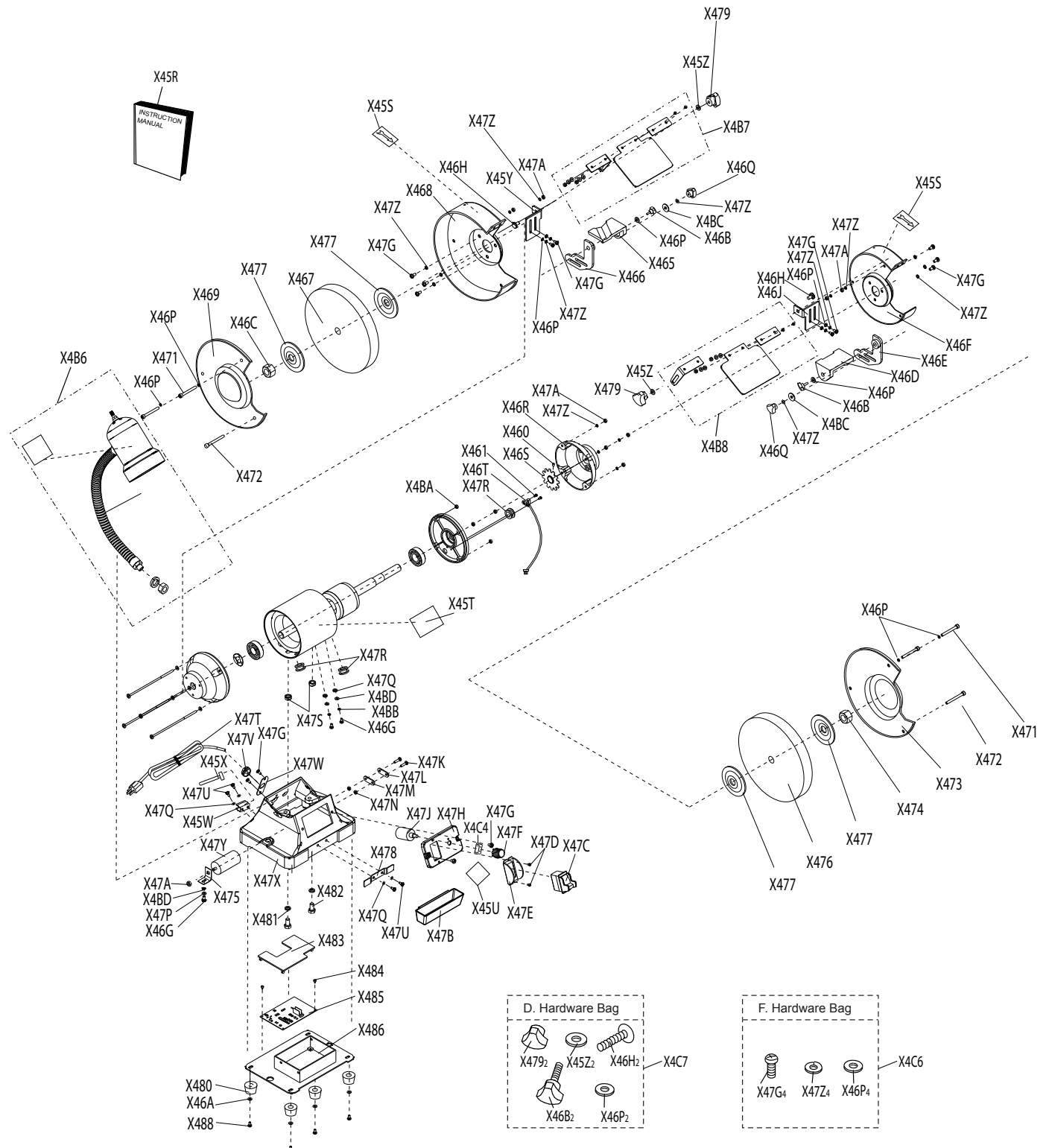
## 8 IN. (200 MM) VARIABLE SPEED GRINDER WITH WORKLIGHT

### PARTS LIST

I.D.	DESCRIPTION	SIZE	QTY	I.D.	DESCRIPTION	SIZE	QTY
X488	PHILLIPS SCREW (WHITE)	M5X16	4	X46S	PLATE		1
X486	BASE COVER		1	X46R	RIGHT END CAP		1
X485	PC BOARD		1	X46Q	LOCK NUT	M5	2
X484	PHILLIPS SCREW (WHITE)	ST2.9X5	2	X46P	FLAT WASHER	D5	10
X483	PC BOARD COVER		1	X46K	PHILLIPS SCREW	M4X12	4
X482	PHILLIPS SCREW (WHITE)	M8X22	2	X46J	RIGHT SPARK SHIELD		1
X481	LOCK WASHER (WHITE)	D8	2	X46H	CARRIAGE BOLT	M6X12	2
X480	RUBBER FOOT		4	X46G	PHILLIPS SCREW (WHITE)	M4X8	3
X47Z	LOCK WASHER	D5	20	X46F	RIGHT SAFETY GUARD		1
X47Y	CAPACITOR		1	X46E	RIGHT FIXED WORK REST		1
X47X	BASE		1	X46D	RIGHT MOVABLE WORK REST		1
X47W	CORD CLIP FIXING PLATE		1	X46C	I TYPE HEX NUT (WHITE)	M16 LEFT	1
X47V	CORD CLIP		1	X46B	LOCKING KNOB	M6X17	2
X47U	PHILLIPS SCREW	M4X8	4	X46A	BIG FLAT WASHER (WHITE)	D5	4
X47T	CORD & PLUG		1	X469	LEFT SAFETY GUARD COVER		1
X47S	SPECIAL NUT	M8	2	X468	LEFT SAFETY GUARD		1
X47R	CORD BUSHING		3	X467	WHEEL	60#	1
X47Q	TOOTHED LOCK WASHER	D4	6	X466	LEFT FIXED WORK REST		1
X47P	LOCK WASHER	D4	5	X465	LEFT MOVABLE WORK REST		1
X47N	HEX NUT	M4	6	X461	PHILLIPS SCREW	M2.5X8	2
X47M	FIX PLATE		1	X460	PHILLIPS SCREW	M4X6	1
X47L	MOUNTING PLATE		1	X45Z	FLAT WASHER	D6	2
X47K	PHILLIPS SCREW	M4X25	2	X45Y	LEFT SPARK SHIELD		1
X47J	SPEED CONTROLER		1	X45X	WHEEL DRESSING TOOL		1
X47H	SWITCH PLATE		1	X45W	WHEEL DRESSING CLIP		1
X47G	PHILLIPS SCREW	M5X10	14	X45U	VARIABLE SPEED LABEL		1
X47F	SPEED CONTROL KNOB		1	X45T	DATA LABEL		1
X47E	SWITCH GUARD		1	X45S	ROTATION LABEL		2
X47D	PHILLIPS SCREW	M3X10	2	X45R	INTRUCTION MANUAL		1
X47C	SWITCH		1	X4BD	FLAT WASHER (WHITE)	D4	3
X47B	COOLANT TRAY		1	X4BC	BIG FLAT WASHER	D5	2
X47A	I TYPE HEX NUT	M5	9	X4BB	STANDARD SPRING WASHER (WHITE)	D4	2
X479	LOCK NUT	M6	2	X4BA	I TYPE HEX NUT (WHITE)	M5	4
X478	COOLANT TRAY CLIP		1	X4B8	RIGHT EYE SHIELD ASSEMBLY		1
X477	FLANGE		4	X4B7	LEFT EYE SHIELD ASSEMBLY		1
X476	WHEEL	36#	1	X4B6	LAMP ASSEMBLY		1
X475	CAPACITOR SUPPORT		1	X4C4	RUB COVER		1
X474	HEX NUT (WHITE)	M16	1				
X473	RIGHT SAFTY GUARD COVER		1				
X472	CARRIAGE BOLT	M5X51	2				
X471	PHILLIPS SCREW	M5X48	4				
X46T	SENSOR		1				
					<b>HARDWARE BAG</b>		
				X4C7	TOOL REST & EYE SHIELD HARDWARE BAG		1
				X4C6	SPARK GUARD HARDWARE BAG		1

# 8 IN. (200 MM) VARIABLE SPEED GRINDER WITH WORKLIGHT

## SCHEMATIC



# WARRANTY

## THREE YEAR LIMITED WARRANTY

PORTER-CABLE will repair, without charge, any defects due to faulty materials or workmanship for three years from the date of purchase. This warranty does not cover part failure due to normal wear or tool abuse. For further detail of warranty coverage and warranty repair information, visit [www.portercable.com](http://www.portercable.com) or call (888) 609-9779. This warranty does not apply to accessories or damage caused where repairs have been made or attempted by others. This warranty gives you specific legal rights and you may have other rights which vary in certain states or provinces.

In addition to the warranty, PORTER-CABLE tools are covered by our:

**1 YEAR FREE SERVICE:** PORTER-CABLE will maintain the tool and replace worn parts caused by normal use, for free, any time during the first year after purchase.

**90 DAYS MONEY BACK GUARANTEE:** If you are not completely satisfied with the performance of your PORTER-CABLE Power Tool for any reason, you can return it within 90 days from the date of purchase with a receipt for a full refund – no questions asked.

**LATIN AMERICA:** This warranty does not apply to products sold in Latin America. For products sold in Latin America, see country specific warranty information contained in the packaging, call the local company or see website for warranty information.

To register your tool for warranty service visit our website at [www.portercable.com](http://www.portercable.com).

### WARNING LABEL REPLACEMENT

If your warning labels become illegible or are missing, call (888) 609-9779 for a free replacement.

The following are PORTER-CABLE trademarks for one or more power tools and accessories: a gray and black color scheme; a “four point star” design; and three contrasting/outlined longitudinal stripes. The following are also trademarks for one or more Porter-Cable and Delta products: 2 BY 4<sup>®</sup>, 890<sup>™</sup>, Air America<sup>®</sup>, AIRBOSS<sup>™</sup>, Auto-Set<sup>®</sup>, B.O.S.S.<sup>®</sup>, Bammer<sup>®</sup>, Biesemeyer<sup>®</sup>, Builders Saw<sup>®</sup>, Charge Air<sup>®</sup>, Charge Air Pro<sup>®</sup>, CONTRACTOR SUPERDUTY<sup>®</sup>, Contractor's Saw<sup>®</sup>, Delta<sup>®</sup>, DELTA<sup>®</sup>, Delta Industrial<sup>®</sup>, DELTA MACHINERY & DESIGN<sup>™</sup>, Delta Shopmaster and Design<sup>®</sup>, Delta X5<sup>®</sup>, Deltacraft<sup>®</sup>, DELTAGRAM<sup>®</sup>, Do It. Feel it.<sup>®</sup>, DUAL LASERLOC AND DESIGN<sup>®</sup>, EASY AIR<sup>®</sup>, EASY AIR TO GO<sup>™</sup>, ENDURADIAMOND<sup>®</sup>, Ex-Cell<sup>®</sup>, Front Bevel Lock<sup>®</sup>, Get Yours While the Sun Shines<sup>®</sup>, Grip to Fit<sup>®</sup>, GRIPVAC<sup>™</sup>, GTF<sup>®</sup>, HICKORY WOODWORKING<sup>®</sup>, Homecraft<sup>®</sup>, HP FRAMER HIGH PRESSURE<sup>®</sup>, IMPACT SERIES<sup>™</sup>, Innovation That Works<sup>®</sup>, Jet-Lock<sup>®</sup>, Job Boss<sup>®</sup>, Kickstand<sup>®</sup>, LASERLOC<sup>®</sup>, LONG-LASTING WORK LIFE<sup>®</sup>, MAX FORCE<sup>™</sup>, MAX LIFE<sup>®</sup>, Micro-Set<sup>®</sup>, Midi-Lathe<sup>®</sup>, Monsoon<sup>®</sup>, MONSTER-CARBIDE<sup>™</sup>, Network<sup>®</sup>, OLDHAM<sup>®</sup>, Omnijig<sup>®</sup>, PC EDGE<sup>®</sup>, Performance Crew<sup>™</sup>, Performance Gear<sup>®</sup>, Pocket Cutter<sup>®</sup>, Porta-Band<sup>®</sup>, Porta-Plane<sup>®</sup>, Porter-Cable<sup>®</sup>, Porter-Cable Professional Power Tools<sup>®</sup>, Powerback<sup>®</sup>, POZI-STOP<sup>™</sup>, Pressure Wave<sup>®</sup>, PRO 4000<sup>®</sup>, Proair<sup>®</sup>, Quicksand and Design<sup>®</sup>, Quickset II<sup>®</sup>, QUIET DRIVE TECHNOLOGY<sup>™</sup>, QUIET DRIVE TECHNOLOGY AND DESIGN<sup>™</sup>, Quick-Change<sup>®</sup>, QUIK-TILT<sup>®</sup>, RAPID-RELEASE<sup>™</sup>, RAZOR<sup>®</sup>, Redefining Performance<sup>®</sup>, Riptide<sup>®</sup>, Safe Guard II<sup>®</sup>, Sand Trap and Design<sup>®</sup>, Sanding Center<sup>®</sup>, Saw Boss<sup>®</sup>, Shop Boss<sup>®</sup>, Sidekick<sup>®</sup>, Site Boss<sup>®</sup>, Speed-Bloc<sup>®</sup>, Speedmatic<sup>®</sup>, Stair Ease<sup>®</sup>, Steel Driver Series<sup>®</sup>, SUPERDUTY<sup>®</sup>, T4 & DESIGN<sup>®</sup>, THE AMERICAN WOODSHOP<sup>®</sup>, THE PROFESSIONAL EDGE<sup>®</sup>, Thin-Line<sup>®</sup>, Tiger Saw<sup>®</sup>, TIGERCLAW<sup>®</sup>, TIGERCLAW AND DESIGN<sup>®</sup>, Torq-Buster<sup>®</sup>, TRU-MATCH<sup>®</sup>, T-Square<sup>®</sup>, Twinlaser<sup>®</sup>, Unifence<sup>®</sup>, Uniguard<sup>®</sup>, UNIRIP<sup>®</sup>, UNISAW<sup>®</sup>, UNITED STATES SAW<sup>®</sup>, Veri-Set<sup>®</sup>, Versa-Feeder<sup>®</sup>, VIPER<sup>®</sup>, VT<sup>™</sup>, VT RAZOR<sup>™</sup>, Water Driver<sup>®</sup>, WATER VROOM<sup>®</sup>, Waveform<sup>®</sup>, Whisper Series<sup>®</sup>, X5<sup>®</sup>, YOUR ACHIEVEMENT. OUR TOOLS.<sup>®</sup>, Trademarks noted with ® are registered in the United States Patent and Trademark Office and may also be registered in other countries. Other trademarks may apply.

PORTER-CABLE and the PORTER-CABLE logo are registered trademarks of PORTER-CABLE and are used under license. All rights reserved.

**PORTER  CABLE.**

Power Tool Specialists, Inc.  
684 Huey Road, Rock Hill, SC 29730  
(888) 609-9779  
[www.portercable.com](http://www.portercable.com)

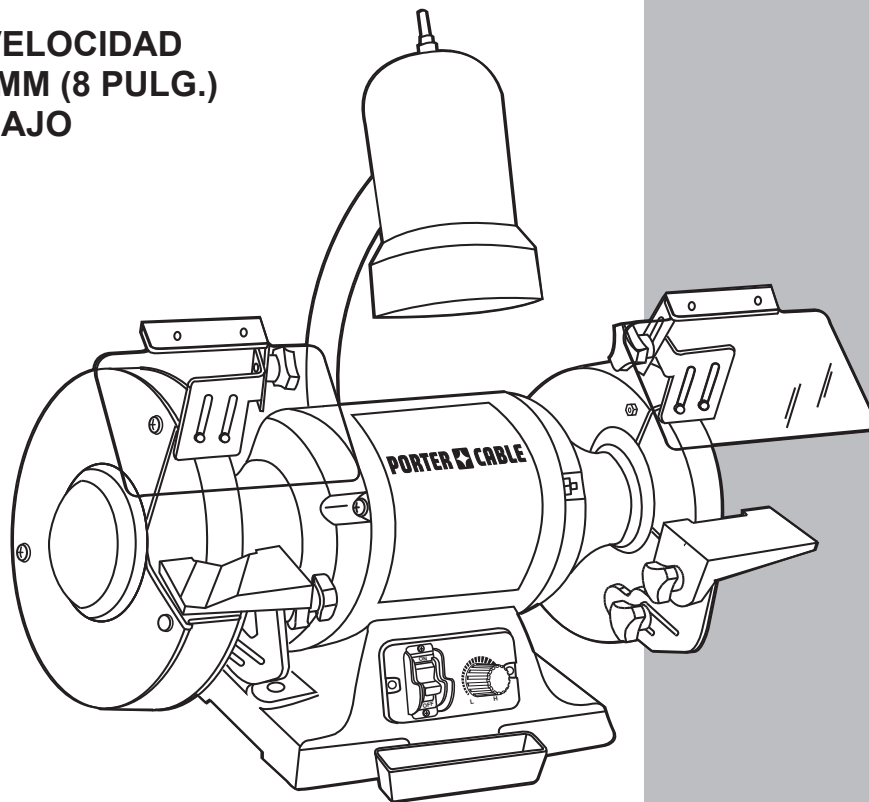


# PORTER CABLE®

**8 IN. (200 MM) VARIABLE SPEED  
GRINDER WITH WORKLIGHT**

**MEULE À VITESSE VARIABLE DE  
200 MM (8 PO) AVEC BALADEUSE**

**AMOLADORA DE VELOCIDAD  
VARIABLE DE 200 MM (8 PULG.)  
CON LUZ DE TRABAJO**



## **Instruction Manual**

Manuel d'instructions

Manual de instrucciones

[www.portercable.com](http://www.portercable.com)

INSTRUCTIVO DE OPERACIÓN, CENTROS  
DE SERVICIO Y PÓLIZA DE GARANTÍA.

**⚠ ADVERTENCIA:** LÉASE ESTE  
INSTRUCTIVO ANTES DE USAR EL  
PRODUCTO.

**NUMÉRO DE BROCHURE  
PCB575BG**

# TABLE DES MATIÈRES

SECTION	PAGE
FICHE TECHNIQUE DU PRODUIT .....	22
PROPOSITION 65 DE LA CALIFORNIE .....	22
MESURES DE SÉCURITÉ - DÉFINITIONS .....	23
CONSIGNES DE SÉCURITÉ SUR LES OUTILS .....	24
SÉCURITÉ POUR LA MEULEUSE SUR PIED .....	26
CARACTÉRISTIQUES ÉLECTRIQUES ET SÉCURITÉ .....	27
OUTILS REQUIS POUR L'ASSEMBLAGE .....	27
CONTENU DE LA BOÎTE.....	29
PARTIES DE LA MEULEUSE SUR PIED .....	30
ASSEMBLAGE ET RÉGLAGES.....	31
UTILISATION.....	34
ENTRETIEN.....	36
GUIDE DE DÉPANNAGE.....	37
ACCESSOIRES.....	38
LISTE DES PIÈCES.....	39
GARANTIE.....	42

## FICHE TECHNIQUE DU PRODUIT

### MOTEUR

Alimentation .....	120 V AC, 60 HZ, 5 A
Puissance.....	3/4 HP
Vitesse.....	2000 ~ 3400 RPM
Type.....	Induction
Diamètre de l'arbre .....	5/8 po (15,88 mm)
Interrupteur .....	MARCHE/ARRÊT

### MEULE

Diamètre .....	8 po (200 mm)
Face .....	1 po (25 mm)
Trou .....	5/8 po (15,88 mm)
<b>Ampoule (non inclus)</b>	40 W (maximale)

### AVERTISSEMENT

Pour éviter les risques d'origine électrique, d'incendie et d'endommagement de l'outil, protéger adéquatement le circuit électrique. Utiliser un circuit électrique distinct pour l'outil. Cette meuleuse a été réglée à l'usine pour fonctionner selon une tension de 110 -120 volts. Elle doit être branchée à un circuit de dérivation de 120 V et de 5 A et utiliser un fusible à fusion lente ou un disjoncteur de 5 A. Pour éviter tout choc électrique ou incendie, remplacer immédiatement le cordon d'alimentation s'il est usé, coupé ou endommagé de quelque façon que ce soit.

## PROPOSITION 65 DE LA CALIFORNIE

### AVERTISSEMENT

Des études effectuées en Californie ont démontré que la poussière produite par le ponçage, le sciage, le meulage, le perçage et les autres travaux de construction contenait des produits chimiques pouvant causer le cancer, des anomalies congénitales et autres dommages au système reproducteur. Voici des exemples de ces produits chimiques :

- Le plomb provenant des peintures à base de plomb,
- Les cristaux de silices provenant des briques et du ciment et d'autres produits de maçonnerie, et
- L'arsenic et le chrome provenant des bois traités chimiquement.

Le niveau de risque dû à cette exposition varie avec la fréquence de ces types de travaux. Pour réduire l'exposition à ces produits chimiques, il faut travailler dans un lieu bien ventilé et porter un équipement de sécurité approprié tel que certains masques à poussière conçus spécialement pour filtrer les particules microscopiques. Éviter tout contact prolongé avec la poussière produite par le ponçage, le sciage, le meulage, le perçage et autres activités de la construction. Porter des vêtements de protection et laver les zones exposées à l'eau et au savon. La pénétration de la poussière dans la bouche ou les yeux ou le dépôt de la poussière sur la peau peuvent faciliter l'absorption de produits chimiques dangereux.

### AVERTISSEMENT

L'utilisation de cet outil peut produire ou propager de la poussière pouvant entraîner de graves problèmes respiratoires permanents ou autres lésions. Utiliser toujours un appareil de protection respiratoire approuvé par NIOSH/OSHA en cas d'exposition à la poussière.

# MESURES DE SÉCURITÉ - DÉFINITIONS

## SYMBOLES D'AVERTISSEMENT

Votre outil électrique et son manuel de l'utilisateur peuvent contenir des «**SYMBOLES DE MISE EN GARDE** » (un symbole illustré qui vous avertit d'une situation potentiellement dangereuse et/ou vous indique comment éviter cette situation). Bien comprendre ces symboles et en tenir compte vous aideront à mieux utiliser votre outil et à l'utiliser de façon plus sécuritaire. Voici quelques-uns des symboles que vous pourriez rencontrer.



**AVERTISSEMENT DE DANGER** : Précautions à suivre pour votre sécurité.



**INTERDICTION**



**PORTER UNE PROTECTION DES YEUX** : Portez toujours des lunettes de sécurité avec des protecteurs latéraux.



**LIRE ET S'ASSURER DE BIEN COMPRENDRE LE MANUEL D'INSTRUCTIONS**: Pour réduire le risque de blessures, les utilisateurs et les spectateurs doivent lire et comprendre le manuel d'instruction avant d'utiliser le produit.



**GARDER LES MAINS LOIN DE LA LAME** : Le fait de ne pas garder les mains loin de la lame présente un danger de graves blessures.



**SOUTENIR ET BIEN SERRER LES PIÈCES**



**DANGER**

**DANGER** : Indique une situation de danger imminent qui, si elle n'est pas évitée, causera la mort ou des blessures graves.



**AVERTISSEMENT**

**AVERTISSEMENT** : Indique une situation potentiellement dangereuse pouvant, si elle n'est pas évitée, causer la mort ou des blessures graves.



**MISE EN GARDE**

**MISE EN GARDE** : Indique une situation potentiellement dangereuse, qui, si elle n'est pas évitée, pourrait causer des blessures mineures ou légères.



**MISE EN GARDE**

**MISE EN GARDE** : Sans le symbole d'avertissement de danger, indique une situation potentiellement dangereuse pouvant, si elle n'est pas évitée, causer des dommages matériels.




# CONSIGNES DE SÉCURITÉ – OUTIL ÉLECTRIQUE

## CONSIGNES DE SÉCURITÉ GÉNÉRALES À RESPECTER AVANT D'UTILISER LA SCIE À DÉCOUPER

La sécurité est une combinaison de bon sens, de vigilance et d'utilisation adéquate de la scie à découper.

### AVERTISSEMENT


Pour éviter toute erreur pouvant causer des blessures graves, ne pas brancher la scie à découper avant d'avoir lu et bien compris les consignes suivantes.

-  **LIRE** et se familiariser avec toutes les instructions. **CONNAÎTRE** les applications, les limites de l'outil et les risques qui s'y rattachent.
- GARDER LES PROTECTEURS EN PLACE** et en bon état de fonctionnement.
- RETIRER LES CLÉS D'ENTRETIEN ET DE RÉGLAGE.** habituer à vérifier que les clés sont retirées de l'outil avant la mise en marche.
- GARDER L'ESPACE DE TRAVAIL PROPRE.** Les endroits et les bancs encombrés présentent un risque d'accident.
- NE PAS TRAVAILLER DANS UN ENVIRONNEMENT DANGEREUX.** Ne pas utiliser d'outils électriques dans des endroits humides, mouillés ou exposés aux intempéries. L'espace de travail doit être bien éclairé.
- ÉLOIGNER LES ENFANTS.** Garder tous les visiteurs et les passants à une distance sécuritaire de la zone de travail.
- METTRE L'ESPACE DE TRAVAIL À L'ÉPREUVE DES ENFANTS** en utilisant des cadenas, des interrupteurs principaux ou en retirant les clés de démarrage.
- NE PAS FORCER L'OUTIL.** L'outil effectue un meilleur travail et est plus sécuritaire quand il est utilisé au rythme pour lequel il est conçu.
- UTILISER LE BON OUTIL.** Ne pas utiliser l'outil ou l'accessoire pour effectuer un travail autre que celui pour lequel il est conçu.
- UTILISER UNE RALLONGE APPROPRIÉE.** S'assurer qu'elle est en bon état. Employer une rallonge de calibre approprié au courant utilisé par l'outil. Une rallonge de moindre calibre cause une baisse de tension, résultant en une perte de puissance et une surchauffe. Le tableau de la page 28 fournit les calibres recommandés selon la longueur de la rallonge et l'intensité nominale. En cas de doute, utiliser une rallonge de calibre plus élevé. Plus le nombre est petit, plus le calibre est élevé.
- PORTER DES VÊTEMENTS APPROPRIÉS.** Ne pas porter de vêtements amples, gants, cravate, bagues, bracelets ou bijoux. Ceux-ci peuvent s'accrocher aux pièces mobiles. Des chaussures antidérapantes sont recommandées. Porter une résille en cas de cheveux longs.
-  **TOUJOURS PORTER DES LUNETTES DE PROTECTION.** Tous les outils électriques peuvent projeter des corps étrangers qui risqueraient de causer des lésions oculaires permanentes. **TOUJOURS** porter des lunettes de sécurité (pas de lunettes à verres correcteurs) conformes à la norme Z87.1 de l'ANSI. Les lunettes à verres correcteurs ne résistent pas aux impacts. **CE NE SONT PAS** des lunettes de sécurité. Les lunettes de protection sont offertes chez Sears. **REMARQUE:** Les lunettes ou les masques de sécurité non conformes à la norme ANSI Z87.1 pourraient provoquer de graves blessures en se brisant.
- PORTER UN MASQUE.** Le perçage produit de la poussière.
-  **FIXER LA PIÈCE À TRAVAILLER.** Utiliser des pinces ou des pinces autobloquantes pour maintenir la pièce en place quand cela est possible. Cela est plus sécuritaire que d'utiliser les mains et libère ces dernières pour actionner l'outil.
- DÉBRANCHER L'OUTIL.** Avant d'effectuer des travaux d'entretien ou de changer d'accessoire tel une lame, un foret ou un couteau.
- RÉDUIRE LE RISQUE D'UNE MISE EN MARCHÉ ACCIDENTELLE.** S'assurer que l'interrupteur est en position d'arrêt (OFF) avant de brancher l'outil.
- UTILISER LES ACCESSOIRES RECOMMANDÉS.** Consulter le guide de l'utilisateur pour les accessoires recommandés. L'utilisation d'accessoires inadéquats peut occasionner des blessures graves à l'utilisateur ou à autrui.
- NE JAMAIS SE TENIR DEBOUT SUR L'OUTIL.** Il y a risque de blessures graves si l'outil culbute ou si l'on touche accidentellement la lame.
- S'ASSURER QU'IL N'Y A PAS DE PIÈCES ENDOMMAGÉES** avant d'utiliser un outil. Un protecteur ou une pièce endommagés doivent être attentivement inspectés pour s'assurer qu'ils pourront fonctionner adéquatement et effectuer le travail pour lequel ils ont été conçus. S'assurer que les pièces mobiles sont bien alignées, qu'elles ne sont pas grippées, mal montées ou desserrées et qu'elles peuvent être utilisées en toute sécurité. Un protecteur, ou toute autre pièce desserrée ou endommagée, doit être adéquatement réparé ou remplacé.

# CONSIGNES DE SÉCURITÉ – OUTIL ÉLECTRIQUE

20. **NE JAMAIS LAISSER UN OUTIL FONCTIONNER SANS SURVEILLANCE. LE METTRE HORS TENSION.** Ne pas s'éloigner d'un outil en marche tant que la lame n'est pas à l'arrêt complet et que l'outil n'a pas été débranché de la source d'alimentation.
21. **NE PAS SE PENCHER AU DESSUS DE L' APPAREIL.** Conserver un bon équilibre et une bonne stabilité en tout temps.
22. **ENTREtenir LES OUTILS AVEC SOIN.** Pour une performance et une sécurité optimales, maintenir les outils propres et bien aiguisés. Suivre les instructions de graissage et de remplacement des accessoires.
23. **Ne PAS** utiliser d'outil électrique en présence de liquides ou de gaz inflammables.
24. **Ne PAS** utiliser l'outil avec les facultés affaiblies par des drogues, l'alcool ou des médicaments; cela pourrait nuire à votre capacité à utiliser correctement l'outil.
25. La poussière produite par certains matériaux peut être dangereuse pour la santé. Toujours utiliser l'outil dans une pièce bien aérée et prévoir un dispositif efficace d'aspiration des poussières. Dans la mesure du possible, utiliser un système d'aspiration de la sciure.
26. **PORTER UNE PROTECTION DE L'OUÏE** pour minimiser le risque de perte d'ouïe.

# SÉCURITÉ POUR LA MEULEUSE SUR PIED

-  Portez une protection pour les yeux conforme à la norme ANSI Z87.1.
- Utilisez des meules convenant à la vitesse de la meuleuse.
- Tenez-vous à côté de la meuleuse au démarrage et non directement devant.
- N'enlevez pas le protecteur de la meule.
- N'utilisez pas la meule pour couper un objet.
- N'utilisez rien pour mettre de la tension sur la meule.
- Utilisez un outil de dressage de pierre pour former ou dévernir les meules.
- Réglez la distance entre la meule et l'appui d'outil pour maintenir une distance de 3,2 mm (1/8 po) ou moins à mesure que la meule s'use.
- Branchez la meuleuse à un circuit protégé par un disjoncteur ou un fusible temporisé.
- Fixez la meuleuse à son support pour l'empêcher de basculer, de glisser ou de bouger sur la surface du support.
  - Remplacez immédiatement une meule fendue.
  - Utilisez toujours les protecteurs et le bouclier oculaire.
  - Ne serrez pas trop l'écrou de la meule
  - Utilisez uniquement les brides fournies avec la meuleuse.
- Inspectez toujours les meules avant l'utilisation pour y détecter des fissures, des pièces manquantes, etc. Remplacez immédiatement une meule défectueuse avant l'usage.
- UTILISEZ UNIQUEMENT DES MEULES** conforme avec la norme ANSI B7.1 cotées pour une vitesse supérieure à 3450 tr/min.
- PROTÉGEZ-VOUS CONTRE LES CHOCS ÉLECTRIQUES** en évitant le contact du corps avec les surfaces mises à la terre. Par exemple, des tuyaux, des radiateurs, des cuisinières ou des réfrigérateurs.
- N'utilisez PAS** de meules au trou de la mauvaise taille. **N'utilisez JAMAIS** de rondelles ou de vis de meules défectueuses ou incorrectes et ne touchez **JAMAIS** une meule ou d'autres pièces mobiles.
- Ne JAMAIS** tendre la main ou le bras pour saisir une pièce qui est dans le trajet de la meule.
- ÉVITEZ LES OPÉRATIONS QUI METTENT LA PIÈCE OU LES MAINS EN UNE POSITION GÊNANTE** où un mouvement accidentel pourrait mettre une main en contact avec la meule. Assurez-vous **TOUJOURS** d'être en position bien équilibrée.
- Ne JAMAIS** vous tenir ou mettre une quelconque partie du corps dans le trajet de la meule.
- N'UTILISEZ PAS L'OUTIL SI L'INTERRUPTEUR NE FONCTIONNE PAS.** Faites remplacer l'interrupteur dans un atelier autorisé.
- N'ALLUMEZ ET N'ÉTEIGNEZ PAS L'OUTIL RAPIDEMENT.** Cela pourrait entraîner le desserrement de la meule et poser un danger. Si cela se produit, restez à l'écart et laissez la meule s'arrêter complètement. Débranchez la meuleuse de l'alimentation et resserrez correctement l'écrou de la meule.
- RISQUE DE BLESSURES SUITE AU DÉMARRAGE ACCIDENTEL.** Ne pas utiliser dans un endroit où des enfants pourraient être présents.
- NE DÉMARREZ JAMAIS LA MEULEUSE** si la meule est en contact avec la pièce.
- TENEZ SOLIDEMENT LA PIÈCE.** Tenez toujours la pièce solidement contre l'appui.
- N'UTILISEZ PAS LA MEULEUSE** si l'écrou à embase ou l'écrou de serrage est manquant ou si l'arbre est plié.
- Nettoyez FRÉQUEMMENT** la poussière sous la meuleuse.
- N'UTILISEZ PAS CET OUTIL SI VOUS AVEZ CONSOMMÉ DE L'ALCOOL, DES DROGUES OU DES MÉDICAMENTS.**
- DEMEUREZ TOUJOURS ALERTE.** Ne laissez pas la familiarité (issue d'un usage fréquent de la meuleuse) causer une erreur d'inattention. **RAPPELEZ-VOUS TOUJOURS** qu'une fraction de seconde de négligence peut suffire à infliger des blessures graves.
- DEMEUREZ ALERTE ET EN CONTRÔLE.** Surveillez ce que vous faites et usez de votre jugement. N'utilisez pas l'outil si vous êtes fatigué. Ne vous précipitez pas.
- CONSERVEZ CES INSTRUCTIONS.** Vous pourrez vous y reporter régulièrement et les utiliser pour former d'autres opérateurs. Si vous prêtez cet outil à quelqu'un, prêtez également le guide d'utilisation.



# SÉCURITÉ POUR LA MEULEUSE SUR PIED

29. **METTEZ TOUJOURS DOUCEMENT LA PIÈCE EN CONTACT AVEC LA MEULE** lorsque vous commencez le travail. Un impact trop fort peut casser la meule. Utilisez une pression légère au début du meulage. Trop de pression sur une meule froide peut la casser.
30. **UTILISEZ UNIQUEMENT LES MEULES** fournies avec cette meuleuse.
31. **SI UNE PIÈCE QUELCONQUE DE LA MEULEUSE EST MANQUANTE**, ou si elle se casse, se tord ou fait défaut d'une manière quelconque, ou si un composant électrique ne fonctionne pas adéquatement, coupez l'alimentation, débranchez la machine de la prise de courant et faites remplacer la pièce manquante ou endommagées avant de reprendre le fonctionnement.
32. **BOUCLERS PROTECTEURS ET PAREÉTINCELLES.** Les boucliers protecteurs et les pareétincelles sont réglables aux besoins de l'opérateur. L'utilisation de la meuleuse sans ces dispositifs en place peut entraîner des blessures graves. Ne meulez pas avec le bouclier relevé. Portez toujours des lunettes à coque et une protection personnelle.
33. **APPUI DE PIÈCE.** Les appuis sont réglables indépendamment pour compenser l'usure des meules. Avant de meuler, assurez-vous que les appuis sont correctement réglés. En règle générale, l'objet est meulé légèrement plus haut que le centre de la meule.
34. Les lames de tondeuse sont habituellement meulées d'un côté seulement et dressées légèrement de l'autre. Effectuez la procédure d'affûtage aux deux extrémités de la lame. Après l'affûtage, équilibrez la lame en meulant davantage.

## CARACTÉRISTIQUES ÉLECTRIQUES ET SÉCURITÉ

### DONNÉES TECHNIQUES SUR LE MOTEUR ET L'ALIMENTATION

#### AVERTISSEMENT

Pour éliminer les risques d'électrocution, d'incendie et de dommages à l'outil, protéger adéquatement le circuit électrique. Utiliser un circuit électrique distinct pour l'outil. La meuleuse a été conçue pour fonctionner selon une tension de 120 V. La brancher à un circuit de 120 V et de 5 A et utiliser un fusible à fusion lente ou un disjoncteur de 5 A. Afin d'éviter les risques de choc électrique et d'incendie, remplacer immédiatement le cordon d'alimentation s'il est usé ou coupé d'une façon quelconque.

### DIRECTIVES DE MISE À LA TERRE

#### AVERTISSEMENT

Cet outil doit être relié à la terre pendant l'utilisation de façon à protéger l'utilisateur des risques de choc électrique.

**EN CAS DE DÉFECTUOSITÉ OU DE PANNE**, la mise à la terre offre au courant électrique un trajet à moindre résistance et réduit les risques de chocs électriques. Cet outil est équipé d'un cordon électrique doté d'un conducteur et d'une fiche de mise à la terre. La fiche DOIT être branchée dans une prise de courant correspondante bien installée et mise à la terre conformément à TOUS les codes et règlements de la municipalité.

**NE PAS MODIFIER LA FICHE FOURNIE.** Si elle n'est pas adaptée à la prise de courant, faire installer une prise de courant adéquate par un électricien.

**UN MAUVAIS BRANCHEMENT** du conducteur de mise à la terre peut présenter un risque de chocs électriques. Le conducteur recouvert d'une gaine isolante verte (avec ou sans bande jaune) est le conducteur de mise à la terre de l'équipement. Si le cordon électrique ou sa fiche doivent être réparés ou remplacés, NE PAS brancher le conducteur de mise à la terre de l'équipement sur une borne sous tension.

Si on ne comprend pas parfaitement les instructions de mise à la terre, ou si on n'est pas sûr que l'outil est bien mis à la terre, **CONSULTER** un électricien ou un préposé à l'entretien qualifié.

**N'UTILISER que des rallonges à 3 fils munies de fiche de mise à la terre à 3 broches branchées dans des prises à 3 trous qui acceptent la fiche de l'outil. Réparer ou remplacer immédiatement toute rallonge usée ou endommagée.**

Alimenter l'outil par un circuit indépendant. Ce circuit doit consister en un câble de diamètre 18 et être protégé par un fusible temporisé de 5 A. Avant de brancher l'outil, s'assurer que l'interrupteur est à OFF et que l'alimentation électrique est conforme aux spécifications du moteur. Une basse tension endommagera le moteur.

# CARACTÉRISTIQUES ÉLECTRIQUES ET SÉCURITÉ

## DIRECTIVES CONCERNANT LES RALLONGES

**UTILISER UNE RALLONGE APPROPRIÉE.** S'assurer que la rallonge est en bon état. Si on utilise une rallonge, s'assurer que son calibre convient à la consommation électrique de l'outil.

Une rallonge de calibre inférieur entraîne une chute de tension, ce qui a pour effet de provoquer une perte de puissance et une surchauffe. Le tableau ci-dessous indique le calibre approprié en fonction de la longueur de la rallonge et de l'intensité nominale indiquée sur la plaque signalétique. En cas de doute, utiliser le calibre supérieur suivant. Plus le numéro de calibre est petit, plus la rallonge est grosse.

S'assurer que la rallonge est bien câblée et en bon état. Toujours remplacer une rallonge endommagée ou la faire réparer par une personne qualifiée avant de l'utiliser. Protéger les rallonges des objets tranchants, de la chaleur excessive et des endroits humides ou détrempés.

CALIBRE MINIMUM DES RALLONGES (AWG)							
(Pour une alimentation de 120 V uniquement)							
Ampérage		Longueur totale en pieds					
Plus de	Pas plus de	120 V	25	50	100	150	pi
			(7,62	15,24	30,48	45,72	m)
AWG- American Wire Gauge							
0	6	18	16	16	14		
6	10	18	16	14	12		
10	12	16	16	14	12		
12	16	14	12	S.O.			

Fig. 1

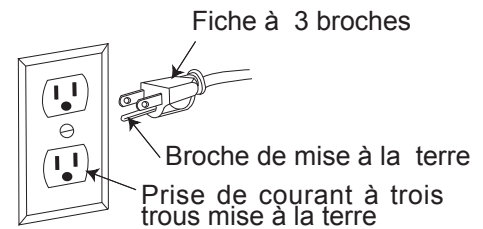
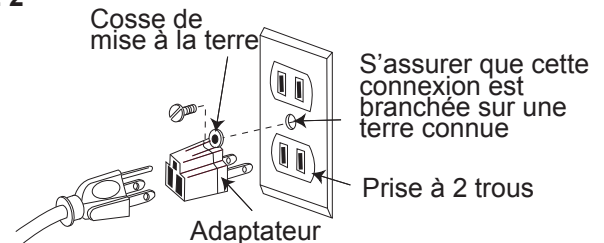


Fig. 2



## ⚠ AVERTISSEMENT

**Cet outil est conçu uniquement pour un usage intérieur. Éviter de l'exposer à la pluie ou de l'utiliser dans un lieu humide.**

Cet outil est conçu pour être utilisé sur un circuit ayant une prise de courant semblable à celle illustrée à la figure 1. La figure 1 illustre une fiche à trois broches et une prise de courant avec conducteur de mise à la terre. Si la prise de courant n'est pas correctement mise à la terre, on peut utiliser un adaptateur (figure 2) pour connecter temporairement cette fiche dans une prise de courant à deux trous mise à la terre.

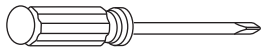
L'adaptateur (figure 2) est muni d'une cosse rigide qui ressort, laquelle DOIT être connectée à une prise de terre permanente, comme une boîte de prise de courant correctement mise à la terre.

## ⚠ MISE EN GARDE

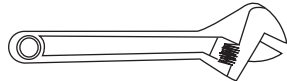
**Toujours s'assurer que la prise est correctement reliée à la terre. En cas de doute, faire vérifier la prise par un électricien agréé.**

## OUTIL REQUIS POUR L'ASSEMBLAGE ET LE RÉGLAGE

Non fourni



Tournevis Phillips



Clé réglable

## CONTENU DE LA BOÎTE

### DÉBALLAGE ET VÉRIFICATION DU CONTENU

Déballer meuleuse et toutes les pièces avec précaution et reportez-vous à la liste ci-dessous ainsi qu'à la figure de droite pour vérifier si vous disposez de toutes les pièces. Avec l'aide d'une autre personne, placez la meuleuse sur une surface sûre et examinez-la minutieusement.

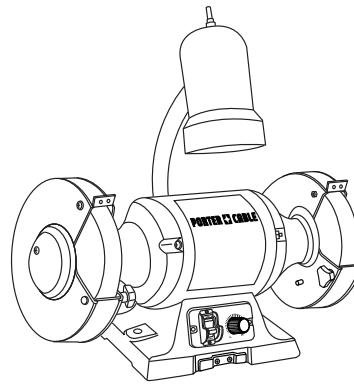
### ⚠ AVERTISSEMENT

- Afin d'éviter les blessures que pourrait entraîner une mise en marche accidentelle ou un choc électrique, ne branchez pas le cordon électrique à une source d'alimentation pendant le déballage ou l'assemblage. Ce cordon doit demeurer débranché chaque fois que vous ajustez ou assemblez la meuleuse.
- La meuleuse est lourde et devrait être soulevée avec précaution. Au besoin, demandez de l'aide pour la soulever et la déplacer.
- En cas de pièce manquante ou endommagée, n'essayez pas d'assembler la meuleuse ou de brancher le cordon d'alimentation tant que la pièce manquante ou endommagée n'a pas été correctement installée.

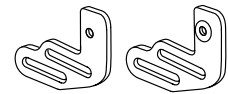
### TABLEAU DES PIÈCES DÉTACHÉES

ART.	DESCRIPTION	QUANTITÉ
A.	Meule d'établi	1
B.	Support de montage d'appui d'outil	2
C.	Appui d'outil	2
D.	Sac des pièces de quincaillerie de l'appui d'outil et du protecteur oculaire	
	Bouton de verrouillage / rondelle plate	2 chacun
	Bouton du contre-écrou / rondelle plate / boulon ordinaire	2 chacun
E.	Pare-étincelles	2
F.	Sac de quincaillerie du pare-étincelles	
	Vis Phillips	4
	Rondelle de blocage	4
	Rondelle plate	4
G.	Protecteurs oculaires droit/gauche	1 chacun
H.	Bac d'arrosage	1
I.	Dresseur à meule	1

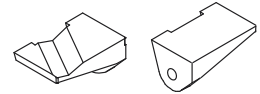
## DÉBALLAGE DE LA MEULEUSE SUR PIED



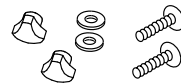
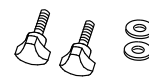
A



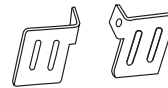
B



C



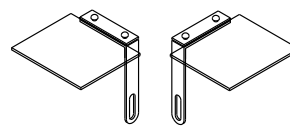
D



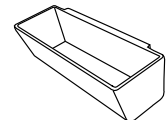
E



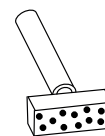
F



G

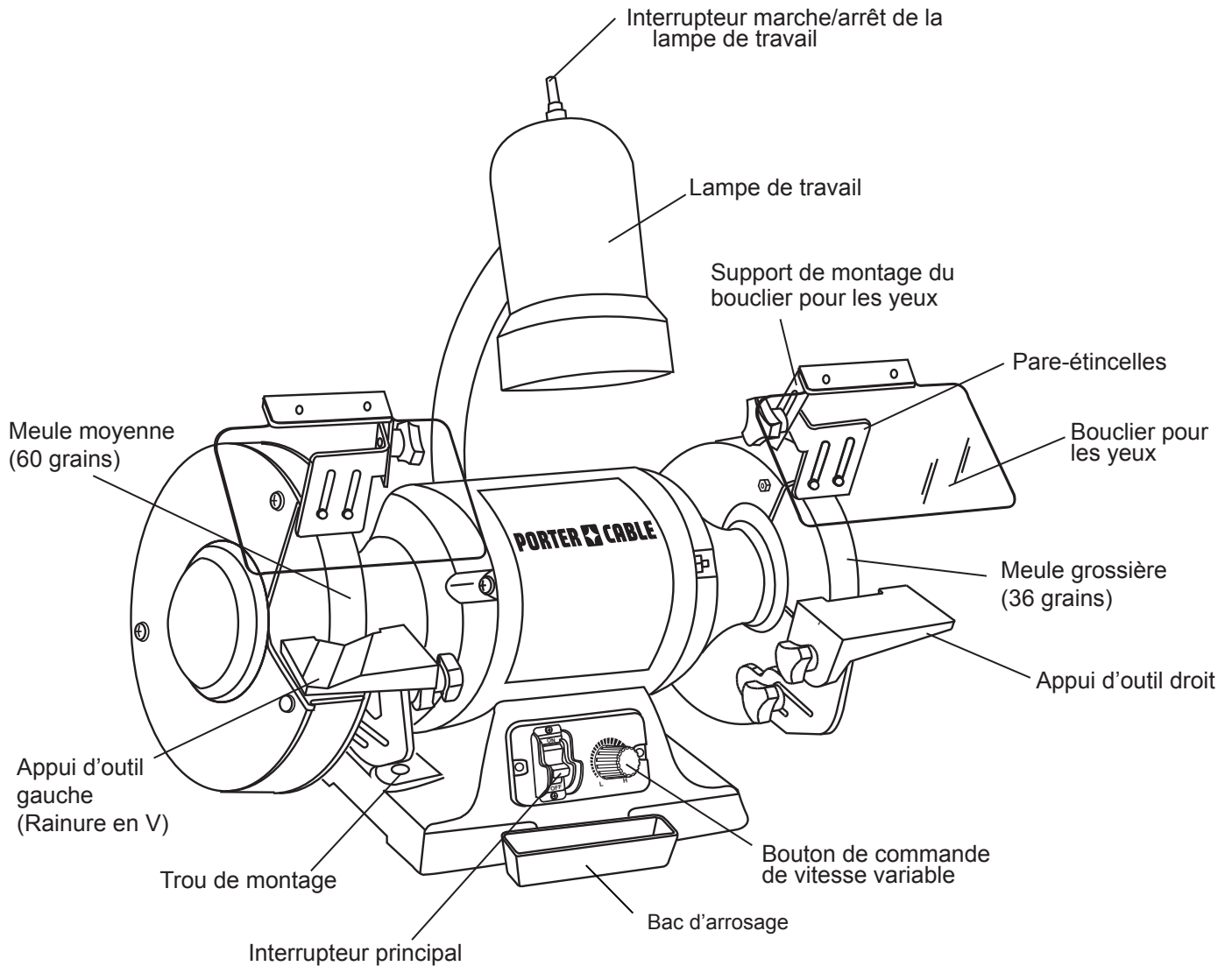


H



I

# PARTIES DE LA MEULEUSE SUR PIED



# ASSEMBLAGE ET RÉGLAGES

Estimation du temps requis pour l'assemblage:  
De 10 à 20 minutes environ.

## ⚠ MISE EN GARDE

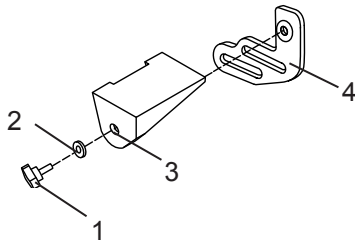
Afin de prévenir les blessures, assurez-vous que toutes les pièces sont assemblées et réglées adéquatement avant de brancher la meuleuse et de la mettre en marche.

### INSTALLATION DES APPUIS D'OUTIL (FIG. A, B, C)

1. Sac « D » - Insérez le bouton de verrouillage (1) dans la rondelle plate (2) et l'appui d'outil droit (3), sur le support de montage (4) de l'appui d'outil droit, tel qu'illustré.

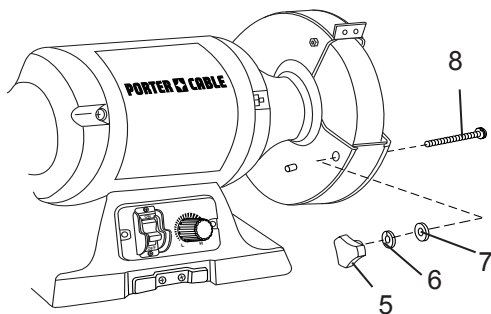
**REMARQUE:** L'appui d'outil rainuré se monte sur le côté gauche de la meule.

Fig. A



2. Retirez le bouton (5), la rondelle de blocage (6) et la rondelle plate (7) du boulon ordinaire (8) situé sur la section inférieure du protège-meule.

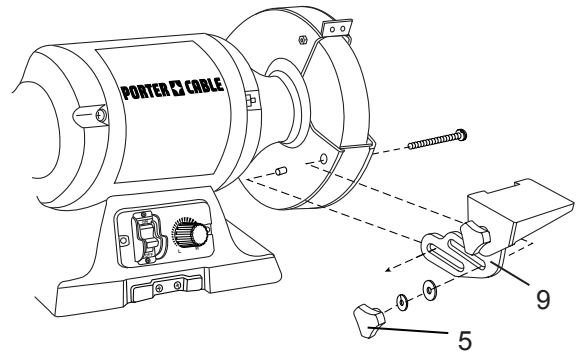
Fig. B



3. Fixez l'assemblage de l'appui d'outil (9) à la meule, tel qu'illustré.
4. Remplacez les rondelles et le bouton de verrouillage (5).
5. Répétez le procédé pour le repos gauche d'outil.

**REMARQUE:** Lorsqu'il est utilisé, l'appui d'outil devrait se trouver à moins de 3,2 mm (1/8 po) de la meule ou autre accessoire utilisé.

Fig. C

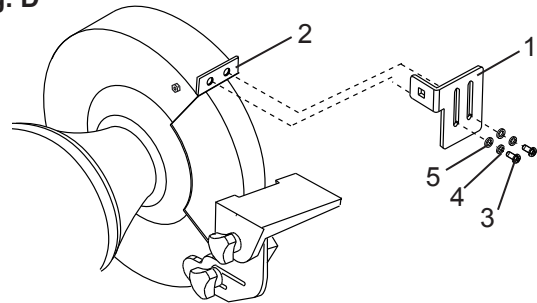


### INSTALLATION DES PARE-ÉTINCELLES (FIG. D)

1. Sac « F » - Fixez le pare-étincelle droit (1) à la plaquette verticale (2) du pare-étincelles à l'aide des boulons (3), des rondelles élastiques (4) et des rondelles plates (5).
2. Répétez la procédure pour le pare-étincelles gauche.

**REMARQUE:** À mesure que la meule s'use, les pare-étincelles doivent être ajustés pour être maintenus à moins de 1,6 mm (1/16 po).

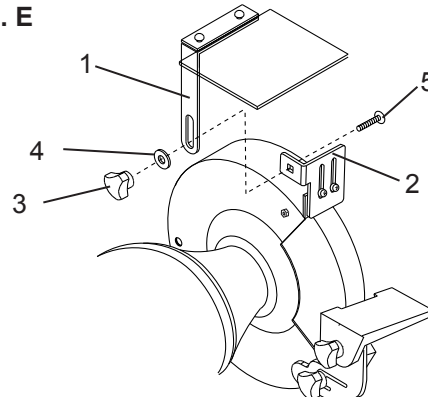
Fig. D



### INSTALLATION DES PROTECTEURS OCULAIRES (FIG. E)

1. Sac « D » - Fixez le protecteur oculaire droit (1) au pare-étincelles (2) à l'aide du bouton d'écrou (3), de la rondelle de blocage (4) et du boulon ordinaire (5).
  2. Répétez la procédure pour le protecteur oculaire gauche.
- REMARQUE:** Ajustez les protecteurs oculaires à la distance adéquate de l'appui d'outil en évitant qu'ils gênent l'utilisation de l'outil.

Fig. E



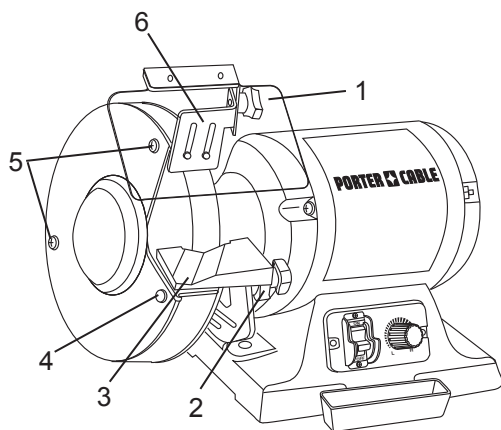
## REPLACEMENT DES MEULES (FIG. F, G, G-1, H)

### ⚠ MISE EN GARDE

Arrêtez et débranchez la meule d'établi. Utilisez uniquement des meules d'un diamètre de 8 po (200 mm). Cette meuleuse est munie d'arbres de 5/8 po (15,88 mm) de chaque côté.

1. Relevez le bouclier (1) pour libérer la voie et mettez la pare-étincelle (6) dans son réglage le plus élevé.
2. Desserrez le bouton (2) et retirez l'assemblage d'appui d'outil (3) et le boulon ordinaire (4)
3. Retirez les deux vis (5) du protège-disque gauche, puis la protection extérieure.

Fig. F



4. Pour empêcher les meule de tourner, mettez un morceau de bois (7) (non fourni) entre la meule et la protège-disque, tel qu'illustré dans Fig. G.

**REMARQUE:** L'utilisation d'un objet métallique, comme un tournevis, n'est pas recommandée, car elle peut endommager la meule.

5. Retirez la l'écrou hexagonal (8) (tel qu'illustré dans Fig. G), la bride de la meule (9) et la meule (10). (Fig. H)

Fig. G

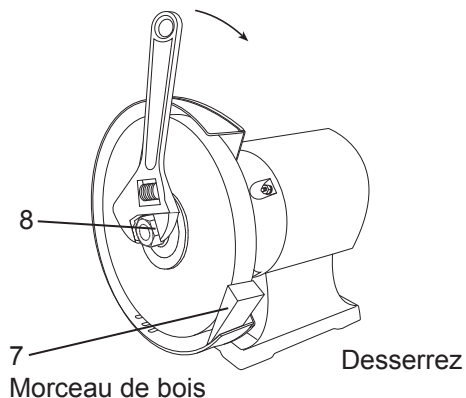
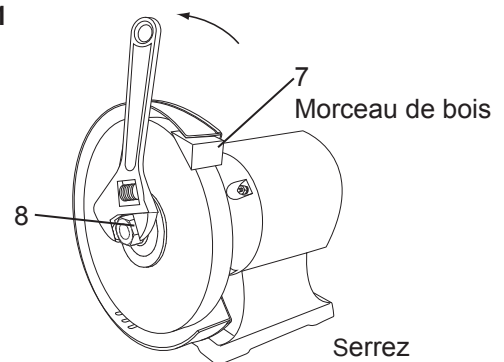


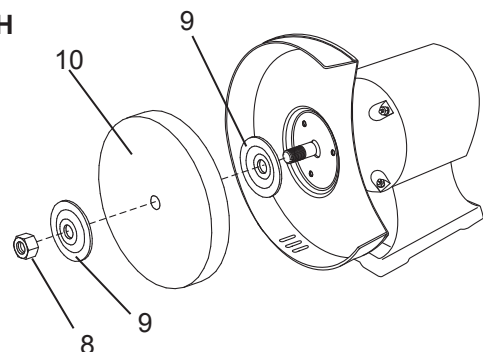
Fig. G-1



**REMARQUE:** L'écrou du côté droit de la meuleuse possède un file standard vers la droite (tourner dans le sens antihoraire pour desserrer). Celui du côté gauche a un file vers la gauche (tourner dans le sens horaire pour desserrer). Les deux écrous se serrent en tournant vers l'arrière de la meuleuse et se desserrent en tournant vers l'avant de la meuleuse.

6. Inspectez la meule (10) pour des fissures, des éclats ou d'autres dommages visibles (autre que l'usure normale) et jetez-la si vous trouvez des dommages de cette nature. Inspectez le disque tampon pour des signes de dommages. S'il n'y a pas de tampon ou qu'il est très usé, remplacez-le avec un morceau de carton mince ou de papier buvard coupé de la même manière. **N'UTILISEZ JAMAIS UNE MEULE SANS TAMPON.**
  7. Installez une nouvelle meule ou autre accessoire. Assurez-vous que les deux brides (9) sont en place avec les côtés concaves vers la meule. (Fig. H)
  8. Mettez un morceau de bois (7) (non fourni) entre la meule et la protège-disque, tel qu'illustré dans Fig. G-1.
- REMARQUE:** Ne pas trop serrer l'écrou, car cela peut fendre la meule (10).
9. Remettez le protège-disque et les vis en place.
  10. Rattachez et ajustez l'appui d'outil à moins de 3,2 mm (1/8 po) du disque et serrez solidement.
  11. Rattachez et ajustez le protecteur oculaire entre vos yeux et le disque.
  12. Réglez le pare-étincelles à 1,6 mm (1/16 po) de la meule.

Fig. H



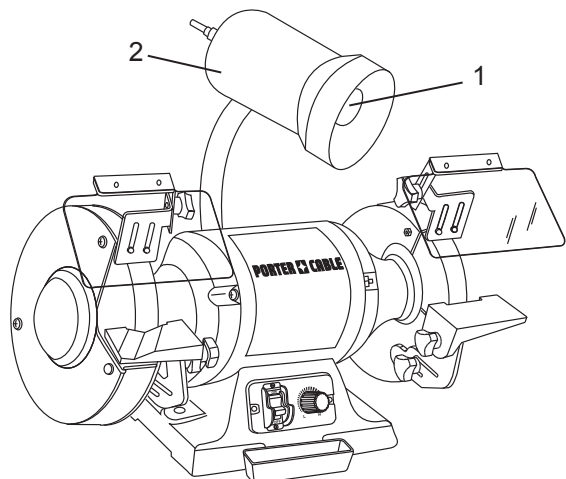


## REPLACEMENT DE L'AMPOULE (FIG. I)

**REMARQUE:** L'ampoule n'est pas comprise.

1. Retirez l'ampoule (1) de l'abat-jour (2).
2. Installez la nouvelle ampoule (40 W maximale) dans l'abat-jour (2).

Fig. I



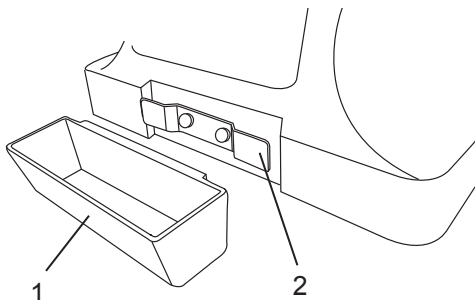
## ⚠ MISE EN GARDE

- Pour prévenir les blessures causées par le démarrage accidentel, assurez-vous que l'interrupteur est à OFF et que le fil n'est pas branché dans une prise de courant.
- Pour éviter de vous blesser en raison de la chaleur dégagée par l'ampoule, ne touchez jamais à celle-ci tant qu'elle n'a pas refroidi.
- Pour prévenir les chocs électriques, ne touchez aucune partie de l'ampoule si la fiche est branchée dans une prise de courant.
- Avec cette meule, il est recommandé d'utiliser une ampoule résistant aux vibrations.

## INSTALLATION DU BAC D'ARROSAGE (FIG. J)

1. Suspendez le bac d'arrosage (1) sur les pattes de fixation (2).

Fig. J

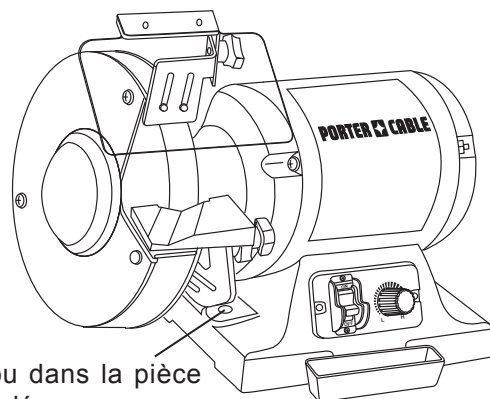


## MONTAGE DE L'OUTIL SUR UN ÉTABLI (FIG. K)

**REMARQUE:** Nous vous recommandons vivement de boulonner solidement cette meule à un établi pour assurer une stabilité maximum à votre outil.

1. En utilisant la meule d'établi comme gabarit, marquez l'établi à travers les trous dans la pièce moulée.
2. Boulonnez la meule sur l'établi à l'aide des boulons, des rondelles et des écrous. Notez que ces fixations ne sont pas fournies avec l'outil.

Fig. K

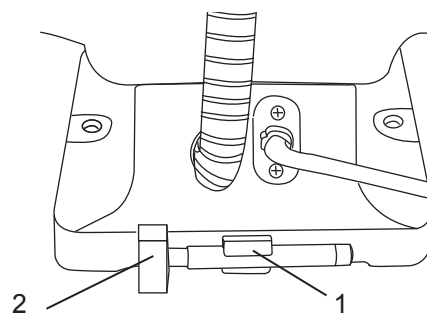


Trou dans la pièce moulée

## RANGEMENT DU DRESSEUR À MEULE (Fig. L)

Les pattes de fixation (1) du dresseur à meule (2) se trouvent à l'arrière de la meule.

Fig. L





# UTILISATION

## DÉMARRAGE ET ARRÊT DE LA MEULEUSE (FIG. M)

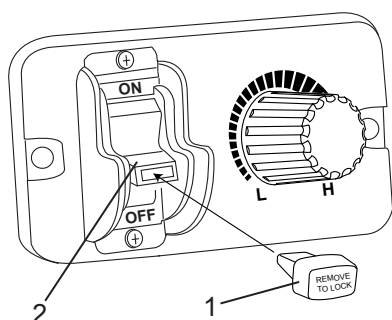
L'interrupteur possède une clé en plastique amovible rouge. Si la clé est retirée de l'interrupteur, le risque d'utilisation non autorisée ou dangereuse par des enfants est minimisé.

1. Pour mettre la meuleuse en marche, insérez la clé (1) dans la fente de l'interrupteur (2) et mettez celui-ci à la position « ON ».
2. Pour arrêter la meuleuse, mettez l'interrupteur à la position « OFF ».
3. Pour verrouiller l'interrupteur à la position « OFF », saisissez la clé et retirez-la.
4. Avec la clé retirée, l'interrupteur ne peut pas être actionné.
5. Si la clé est retirée pendant que la meuleuse est en marche, elle peut être arrêtée, mais ne pourra pas être remise en marche sans insérer la clé.

### ⚠ MISE EN GARDE

**Verrouillez toujours l'interrupteur à « OFF » lorsque la meuleuse n'est pas utilisée. Retirez la clé et rangez-la en lieu sûr. En cas de panne de courant, d'un fusible grillé ou d'un disjoncteur déclenché, mettez l'interrupteur à la position « OFF » et retirez la clé pour éviter le démarrage accidentel lorsque le courant est rétabli.**

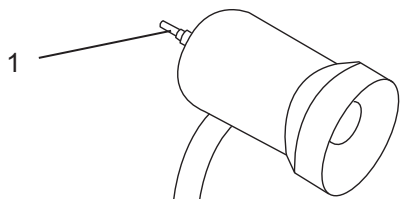
Fig. M



## UTILISATION DE LA LAMPE DE TRAVAIL (FIG. N)

1. Pour allumer la lampe de travail, tournez l'interrupteur (1) de la lampe de travail dans le sens contraire des aiguilles d'une montre.
2. Pour éteindre la lampe de travail, tournez l'interrupteur (1) de la lampe de travail dans le sens des aiguilles d'une montre.

Fig. N



### ⚠ MISE EN GARDE

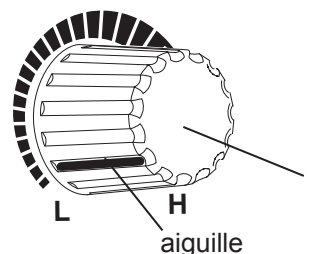
- Pour prévenir les blessures causées par le démarrage accidentel, assurez-vous que l'interrupteur est à OFF et que le fil n'est pas branché dans une prise de courant.
- Pour éviter de vous blesser en raison de la chaleur dégagée par l'ampoule, ne touchez jamais à celle-ci tant qu'elle n'a pas refroidi.
- Pour prévenir les chocs électriques, ne touchez aucune partie de l'ampoule si la fiche est branchée dans une prise de courant.
- Avec cette meule, il est recommandé d'utiliser une ampoule résistant aux vibrations.

## RÉGLAGE DE LA VITESSE DE LA MEULE (FIG. O)

Votre meuleuse est équipée d'une commande rotative de vitesse variable. Pour régler la vitesse de la meule, il suffit de tourner le bouton de réglage de la vitesse variable (1).

1. Pour augmenter la vitesse, tournez le bouton de réglage de la vitesse variable (1) dans le sens des aiguilles d'une montre.
2. Pour réduire la vitesse, tournez le bouton de réglage de la vitesse variable (1) dans le sens contraire des aiguilles d'une montre.

Fig. O



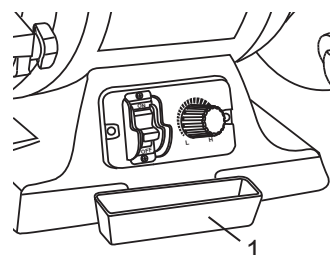
## REFROIDISSEMENT DE LA PIÈCE (FIG. P)

Le bac d'arrosage (1) vous permet de refroidir les pièces surchauffées. Soulevez simplement le bac et remplissez-le à moitié avec le liquide de refroidissement approprié, par exemple avec de l'eau.

### ⚠ MISE EN GARDE

**Veillez à ne pas le remplir excessivement.**

Fig. P



## FONCTIONNEMENT

### **⚠ MISE EN GARDE**

L'interrupteur possède une clé en plastique amovible rouge. Si la clé est retirée de l'interrupteur, le risque d'utilisation non autorisée ou dangereuse par des enfants est minimisé.

1. Votre meuleuse d'établi possède une meule moyenne (60 grains) pour l'enlèvement de matériau moyen et le meulage général, ainsi qu'une meule grossière (36 grains) pour l'enlèvement rapide de matériau.
2. Pour utiliser la meuleuse, portez toujours des lunettes de protection et mettez-la en marche en vous tenant sur le côté de la meuleuse et non directement devant. Laissez la meule atteindre sa pleine vitesse avant de commencer à meuler.
3. Tenez la pièce fermement contre l'appui d'outil. Tenez les très petites pièces avec des pinces ou un autre outil convenable.
4. Alimentez la pièce doucement et uniformément dans la meule.
5. Déplacez la pièce lentement et évitez de la bloquer contre la meule. Si la meule tend à ralentir à cause d'une pression excessive, vous devriez à l'occasion relâcher la pression sur la meule pour la laisser reprendre de la vitesse.
6. Meulez toujours avec la face de la meule et jamais avec le côté. (Certaines meules sont conçues pour le meulage sur le côté et cette information sera indiquée sur le disque tampon.)

### **⚠ MISE EN GARDE**

Le meulage prolongé tend à échauffer les matériaux. Prenez garde lorsque vous manipulez de tels matériaux.

## CISEAUX

Dans la mesure du possible, défaites les ciseaux afin de pouvoir les affûter plus facilement et en plus grande sécurité. Enlevez du matériau sur la surface extérieure seulement et travaillez de la partie épaisse de la lame jusqu'à la pointe.

## COUTEAUX

Enlevez le métal des deux faces de la plupart des couteaux, en allant de la partie épaisse de la lame à la pointe.

## TOURNEVIS

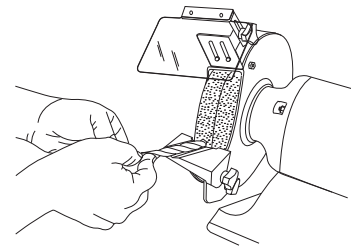
La pointe d'un tournevis correctement affûté sera un rectangle parfait, absolument plat et perpendiculaire à l'axe central de la tige. Les deux côtés et les deux faces sont coniques vers le rebord de l'épaule ou de la tige. Ils devraient être plats avec des faces

perpendiculaires aux intersections. Tenez chaque face du tournevis contre la meule pour la dresser, puis relevez la pointe sur la meule pour la dresser.

## MÈCHES EN VRILLE (FIG. Q)

Il est préférable d'affûter les mèches sur un guide d'affûtage disponible dans les quincailleries, mais elles peuvent être dressées avec votre meuleuse. Commencez d'un côté de la pointe à l'angle existant, puis tournez la mèche en maintenant un angle constant avec la surface de la meule. N'affûtez que la lèvre. Cette technique exige beaucoup de pratique, il faut que vous preniez votre temps et vous exercer quelques fois avant de mettre la meuleuse en marche. Assurez-vous de conserver l'angle de coupe d'origine car il est essentiel à l'efficacité de la mèche. Un des appuis d'outil comporte une rainure en V inclinée à l'angle requis pour la plupart des mèches.

Fig. Q



## LAMES DE TONDEUSE

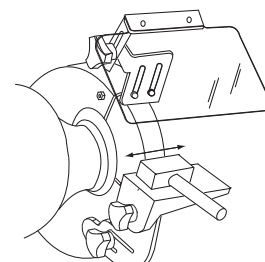
Les lames de tondeuse sont habituellement affûtées d'un côté seulement et dressées légèrement de l'autre. Après l'affûtage, il faut équilibrer la lame en enlevant du matériau du côté plus lourd. Il existe un bon nombre de balances composées sur le marché qui servent à cette fin. Une lame déséquilibrée peut causer de sérieux dommages au vilebrequin de la tondeuse. Retirez toujours le fil de la bougie d'une tondeuse avant de faire l'entretien de la lame pour éviter le démarrage accidentel.

## DRESSAGE D'UNE MEULE (FIG. R)

Un dresseur est fourni avec la meule. Avancer le dresseur/bâton sur le porte-outil jusqu'à ce qu'il touche le point le plus élevé de la face de la meule. La dresser en déplaçant le dresseur d'un côté à l'autre et vice-versa. Répéter l'opération jusqu'à ce que la face de la meule soit propre et les bords, bien équarris.

**REMARQUE:** N'utilisez PAS le dresseur sur les disques métalliques..

Fig. R



# ENTRETIEN

## ⚠ MISE EN GARDE

Pour votre propre sécurité, mettez l'interrupteur à « OFF » et débranchez le fil de la prise de courant avant de faire des réglages ou l'entretien de votre meuleuse. Si le fil est usé, coupé ou endommagé de quelque manière que ce soit, faites-le remplacer immédiatement.

## GÉNÉRALITÉS

1. Inspectez régulièrement l'outil et utilisez une brosse souple pour enlever la poussière accumulée. Portez des lunettes de sécurité pour vous protéger les yeux lorsque vous nettoyez la meuleuse.
2. Si le boîtier de la meuleuse doit être nettoyé, essuyez-le avec un linge doux et humide. Un détergent doux peut également servir. N'utilisez pas d'alcool, d'essence ou d'autre nettoyant similaire.
3. Assurez-vous que les boucliers pour les yeux sont transparents et ne bloquent pas la vue de la meule.
4. En usage normal, les meules peuvent se fendre, se rainurer, s'arrondir sur les rebords, s'écailler, gauchir ou se charger de matériaux étrangers. Les meules fendues doivent être remplacées IMMÉDIATEMENT. Bien que certaines des autres situations puissent être corrigées à l'aide d'un outil de dressage (disponible dans la plupart des quincailleries), de nouvelles meules peuvent parfois nécessiter un dressage pour les arrondir.
5. Si vous devez remplacer une meule, assurez-vous d'en obtenir une cotée au minimum pour la vitesse SANS CHARGE indiquée sur la plaque signalétique de votre meuleuse. Les meules de remplacement doivent avoir un trou de 15,88 mm (5/8 po), un diamètre de 200 mm (8 po) et une épaisseur ne dépassant pas 25 mm (1 po). Vérifiez l'absence de fissures dans les nouvelles meules et conservez le même ordre des pièces de retenue. Assurez-vous que l'outil est débranché avant d'effectuer des réparations.

## ⚠ MISE EN GARDE

- N'utilisez jamais de nettoyant caustique pour nettoyer les pièces de plastique de la meuleuse.
- L'outil ne doit jamais entrer en contact avec de l'eau.
- L'utilisation de tout autre accessoire n'est pas recommandée et peut entraîner des blessures graves.

# GUIDE DE DÉPANNAGE

## AVERTISSEMENT

Pour éviter les blessures d'un démarrage accidentel, mettre le bouton sur OFF et enlever la clef. Toujours tirer la fiche de la prise avant de faire des réglages. Consultez le service à la clientèle si le moteur ne fonctionne pas pour quelque raison que ce soit.

## PIÈCES DE RECHANGE

Utiliser seulement des pièces de rechange identiques. Pour obtenir une liste des pièces de rechange ou pour en commander, consulter notre site Web au [www.portercable.com](http://www.portercable.com). Vous pouvez aussi commander les pièces auprès du Centre de service d'usine Porter-Cable ou au Centre agréé de réparations au titre de la garantie Porter-Cable le plus proche ou contacter notre Centre de service à la clientèle en composant le (888) 609-9779.

## SERVICE APRÈS-VENTE ET RÉPARATIONS

Tous les outils de qualité nécessiteront une réparation ou le remplacement d'une pièce un jour ou l'autre. Pour de plus amples renseignements sur Porter-Cable, ses centres de service d'usine ou ses centres agréés de réparations au titre de la garantie, consultez notre site Web à [www.portercable.com](http://www.portercable.com) ou contactez notre Centre de service à la clientèle en composant le (888) 609-9779. Toutes les réparations effectuées par nos centres sont entièrement garanties contre les défauts de fabrication et de main-d'œuvre. Nous ne pouvons pas garantir les réparations effectuées ou tentées par quelqu'un d'autre. Vous pouvez aussi nous écrire à Power Tool Specialists, Inc. 684 Huey Road, Rock Hill, SC 29730, (888) 609-9779 – Attention : Product Service. Assurez-vous d'inclure toute l'information figurant sur la plaque d'identification de votre outil (numéro de modèle, type, numéro de série, etc.).

PROBLÈME	CAUSE PROBABLE	SOLUTION CONSEILLÉE
Le moteur ne fonctionne pas.	<ol style="list-style-type: none"><li>1. Il n'est pas branché dans la prise de courant.</li><li>2. Interrupteur et clé pas à ON.</li><li>3. Cordon du moteur usé.</li> <li>4. Fiche défectueuse.</li> <li>5. Moteur défectueux.</li> <li>6. Le fusible ou le disjoncteur a coupé.</li></ol>	<ol style="list-style-type: none"><li>1. Le brancher dans la prise de courant.</li><li>2. Insérer la clé et mettre l'interrupteur à ON.</li><li>3. Contacter le Centre de service Porter-Cable ou la Station de service agréée qui exécutera la réparation ou le remplacement.</li><li>4. Contacter le Centre de service Porter-Cable ou la Station de service agréée qui exécutera la réparation ou le remplacement.</li><li>5. Contacter le Centre de service Porter-Cable ou la Station de service agréée qui exécutera la réparation ou le remplacement.</li><li>6. Réinitialiser; il y a peut-être trop d'outils en ligne.</li></ol>
La meule vibre et tremble.	<ol style="list-style-type: none"><li>1. La meule n'est pas fixée correctement.</li><li>2. Autre.</li></ol>	<ol style="list-style-type: none"><li>1. Réglez la meule correctement. Voir la section RÉGLAGES.</li><li>2. Contacter le Centre de service Porter-Cable ou la Station de service agréée qui exécutera la réparation ou le remplacement.</li></ol>

Pour obtenir de l'assistance pour votre produit, consultez notre site Web à [www.portercable.com](http://www.portercable.com) afin d'obtenir la liste des centres de service ou contactez le Centre de service à la clientèle Porter-Cable en composant le (888) 609-9779.

# ACCESSOIRES

## ACCESSOIRES OFFERTS EN OPTION

### AVERTISSEMENT

Comme les accessoires autres que ceux offerts par Porter-Cable n'ont pas été testés avec ce produit, leur utilisation avec cet outil pourrait se révéler dangereuse. Pour minimiser le risque de blessure, seuls les accessoires recommandés par Porter-Cable devraient être utilisés avec ce produit. Une gamme complète d'accessoires est offerte par notre Centre de service Porter-Cable de l'usine ou par les Centres de service Porter-Cable agréés. Veuillez consulter notre site Web à [www.portercable.com](http://www.portercable.com) pour obtenir un catalogue ou le nom du fournisseur le plus proche.

### AVERTISSEMENT

N'utilisez aucun accessoire sans avoir lu dans son intégralité le Manuel d'instructions qui s'y rapporte.

# LISTE DE PIÈCES

## MEULE À VITESSE VARIABLE DE 200 MM (8 PO) AVEC BALADEUSE

### LISTE DE PIÈCES

Réf	Désignation	Dimensions	Qté	Réf	Désignation	Dimensions	Qté
X488	VIS PHILLIPS (BLANC)	M5X16	4	X46S	PLAQUE		1
X486	COUVERCLE DE SOCLE		1	X46R	EMBOUT DROIT		1
X485	CARTE DE CIRCUITS IMPRIMÉS		1	X46Q	CONTRE-ÉCROU	M5	2
X484	VIS PHILLIPS (BLANC)	ST2.9X5	2	X46P	RONDELLE PLATE	D5	10
X483	COUVERCLE DE CARTE DE CIRCUITS IMPRIMÉS		1	X46K	VIS PHILLIPS	M4X12	4
X482	VIS PHILLIPS (BLANC)	M8X22	2	X46J	PARE-ÉTINCELLES DROIT		1
X481	RONDELLE DE BLOCAGE (BLANC)	D8	2	X46H	BOULON ORDINAIRE	M6X12	2
X480	PIED EN CAOUTCHOUC		4	X46G	VIS PHILLIPS (BLANC)	M4X8	3
X47Z	RONDELLE DE BLOCAGE	D5	20	X46F	DISPOSITIF DE PROTECTION DROIT		1
X47Y	CONDENSATEUR		1	X46E	PORTE-PIÈCE FIXE DROIT		1
X47X	SOCLE		1	X46D	PORTE-PIÈCE AMOVIBLE DROIT		1
X47W	PLAQUE DE FIXATION DE L'ATTACHE DU CORDON D'ALIMENTATION		1	X46C	ÉCROU HEXAGONAL TYPE I (BLANC)	M16 LEFT	1
X47V	ATTACHE DU CORDON D'ALIMENTATION		1	X46B	BOUTON DE VERROUILLAGE	M6X17	2
X47U	VIS PHILLIPS	M4X8	4	X46A	GRANDE RONDELLE PLATE (BLANC)	D5	4
X47T	CORDON D'ALIMENTATION ET FICHE		1	X469	DISPOSITIF DE PROTECTION GAUCHE		1
X47S	ÉCROU	M8	2	X468	DISPOSITIF DE PROTECTION GAUCHE		1
X47R	BAGUE DE CORDON D'ALIMENTATION		3	X467	MEULE	60#	1
X47Q	RONDELLE ÉLASTIQUE À DENTS	D4	6	X466	PORTE-PIÈCE FIXE GAUCHE		1
X47P	RONDELLE DE BLOCAGE	D4	5	X465	PORTE-PIÈCE AMOVIBLE GAUCHE		1
X47N	ÉCROU HEXAGONAL	M4	6	X461	VIS PHILLIPS	M2.5X8	2
X47M	PLAQUE DE FIXATION		1	X460	VIS PHILLIPS	M4X6	1
X47L	PLAQUE DE MONTAGE		1	X45Z	RONDELLE PLATE	D6	2
X47K	VIS PHILLIPS	M4X25	2	X45Y	PARE-ÉTINCELLES GAUCHE		1
X47J	RÉGULATEUR DE VITESSE		1	X45X	DRESSEUR À MEULE		1
X47H	PLAQUE DE MONTAGE DE L'INTERRUPTEUR		1	X45W	ATTACHE DU DRESSEUR À MEULE		1
X47G	VIS PHILLIPS	M5X10	14	X45U	ÉTIQUETTE INDIQUANT LA VITESSE VARIABLE		1
X47F	BOUTON DE RÉGLAGE DE LA VITESSE		1	X45T	ÉTIQUETTE INDIQUANT LES DONNÉES		1
X47E	PLAQUE D'INTERRUPTEUR		1	X45S	ÉTIQUETTE INDIQUANT LA ROTATION		2
X47D	VIS PHILLIPS	M3X10	2	X45R	MANUEL D'INSTRUCTIONS		1
X47C	INTERRUPTEUR		1	X4BD	RONDELLE PLATE (BLANC)	D4	3
X47B	BAC D'ARROSAGE		1	X4BC	GRANDE RONDELLE PLATE	D5	2
X47A	ÉCROU HEXAGONAL TYPE I	M5	9	X4BB	RONDELLE ÉLASTIQUE ORDINAIRE (BLANC)	D4	2
X479	CONTRE-ÉCROU	M6	2	X4BA	ÉCROU HEXAGONAL TYPE I (BLANC)	M5	4
X478	ATTACHE DE BAC D'ARROSAGE		1	X4B8	ASSEMBLAGE DE PROTECTEUR OCULAIRE DROIT		1
X477	BRIDE		4	X4B7	ASSEMBLAGE DE PROTECTEUR OCULAIRE GAUCHE		1
X476	MEULE	36#	1	X4B6	ASSEMBLAGE DE LAMPE		1
X475	SUPPORT DE CONDENSATEUR		1	X4C4	PROTECTION CONTRE LES FROTTEMENTS		1
X474	ÉCROU HEXAGONAL (BLANC)	M16	1				
X473	DISPOSITIF DE PROTECTION DROIT		1				
X472	BOULON ORDINAIRE	M5X51	2				
X471	VIS PHILLIPS	M5X48	4				
X46T	CAPTEUR		1				
					<b>SAC DE PIÈCES DE QUINCAILLERIE</b>		
				X4C7	SAC DES PIÈCES DE QUINCAILLERIE DE L'APPUI D'OUTIL ET DU PROTECTEUR OCULAIRE		1
				X4C6	SAC DE QUINCAILLERIE DU PARE-ÉTINCELLES		1





# REMARQUE

# GARANTIE

## GARANTIE LIMITÉE DE TROIS (3) ANS

PORTER-CABLE réparera, gratuitement, toutes les défaillances dues à un défaut de matériau ou de main-d'œuvre pendant les trois ans suivant la date d'achat. Cette garantie ne couvre pas les défaillances de pièces dues à l'usure normale ou à une utilisation inappropriée de l'outil. Pour de plus amples renseignements sur la couverture de la garantie et sur les réparations au titre de la garantie, consultez [www.portercable.com](http://www.portercable.com) ou composez le (888) 609-9779. Cette garantie ne couvre pas les accessoires ou les dommages causés par les réparations effectuées ou tentées par quelqu'un d'autre. Cette garantie vous confère des droits spécifiques auxquels peuvent s'ajouter d'autres droits variant selon l'État ou la province.

En plus de cette garantie, les outils PORTER-CABLE sont assujettis à :

**1 AN DE SERVICE GRATUIT** : PORTER-CABLE assurera la maintenance de l'outil et remplacera les pièces usées normalement et ce, gratuitement, en tout temps pendant la première année suivant la date d'achat.

**GARANTIE DE REMBOURSEMENT DANS LES 90 JOURS** : Si vous n'êtes pas complètement satisfait de la performance de votre outil électrique PORTER-CABLE pour quelque raison que ce soit, vous pouvez le renvoyer dans les 90 jours suivant la date d'achat accompagné du reçu aux fins de remboursement – aucune question ne vous sera posée.

**AMÉRIQUE DU SUD** : Cette garantie ne s'applique pas aux produits vendus en Amérique du Sud. Pour les produits vendus en Amérique du Sud, reportez-vous à l'information sur la garantie spécifique au pays et contenue dans l'emballage, contactez la société locale ou consultez le site Web pour plus de détails sur la garantie.

Pour enregistrer votre outil afin d'obtenir les services au titre de la garantie, allez à notre site Web à [www.portercable.com](http://www.portercable.com).

### REMPACEMENT DE L'ÉTIQUETTE DE MISE EN GARDE

Si vos étiquettes d'avertissement deviennent illisibles ou sont manquantes, composez le (888) 609-9779 pour obtenir une étiquette de remplacement gratuite.

Les marques suivantes sont des marques de commerce de PORTER-CABLE pour un ou plusieurs outils électriques et accessoires: un plan gris et noir; le symbole représentant une « étoile à quatre pointes » et trois bandes longitudinales en contraste et schématisées. Les marques suivantes sont des marques de commerce pour un ou plusieurs produits Porter-Cable et Delta: 2 BY 4<sup>®</sup>, 890<sup>™</sup>, Air America<sup>®</sup>, AIRBOSS<sup>™</sup>, Auto-Set<sup>®</sup>, B.O.S.S.<sup>®</sup>, Bammer<sup>®</sup>, Biesemeyer<sup>®</sup>, Builders Saw<sup>®</sup>, Charge Air<sup>®</sup>, Charge Air Pro<sup>®</sup>, CONTRACTOR SUPERDUTY<sup>®</sup>, Contractor's Saw<sup>®</sup>, Delta<sup>®</sup>, DELTA<sup>®</sup>, Delta Industrial<sup>®</sup>. DELTA MACHINERY & DESIGN<sup>™</sup>, Delta Shopmaster and Design<sup>®</sup>, Delta X5<sup>®</sup>, Deltacraft<sup>®</sup>, DELTAGRAM<sup>®</sup>, Do It. Feel it.<sup>®</sup>, DUAL LASERLOC AND DESIGN<sup>®</sup>, EASY AIR<sup>®</sup>, EASY AIR TO GO<sup>™</sup>, ENDURADIAMOND<sup>®</sup>, Ex-Cell<sup>®</sup>, Front Bevel Lock<sup>®</sup>, Get Yours While the Sun Shines<sup>®</sup>, Grip to Fit<sup>®</sup>, GRIPVAC<sup>™</sup>, GTF<sup>®</sup>, HICKORY WOODWORKING<sup>®</sup>, Homecraft<sup>®</sup>, HP FRAMER HIGH PRESSURE<sup>®</sup>, IMPACT SERIES<sup>™</sup>, Innovation That Works<sup>®</sup>, Jet-Lock<sup>®</sup>, Job Boss<sup>®</sup>, Kickstand<sup>®</sup>, LASERLOC<sup>®</sup>, LONG-LASTING WORK LIFE<sup>®</sup>, MAX FORCE<sup>™</sup>, MAX LIFE<sup>®</sup>, Micro-Set<sup>®</sup>, Midi-Lathe<sup>®</sup>, Monsoon<sup>®</sup>, MONSTER-CARBIDE<sup>™</sup>, Network<sup>®</sup>, OLDHAM<sup>®</sup>, Omnijig<sup>®</sup>, PC EDGE<sup>®</sup>, Performance Crew<sup>™</sup>, Performance Gear<sup>®</sup>, Pocket Cutter<sup>®</sup>, Porta-Band<sup>®</sup>, Porta-Plane<sup>®</sup>, Porter-Cable<sup>®</sup>, Porter-Cable Professional Power Tools<sup>®</sup>, Powerback<sup>®</sup>, POZI-STOP<sup>™</sup>, Pressure Wave<sup>®</sup>, PRO 4000<sup>®</sup>, Proair<sup>®</sup>, Quicksand and Design<sup>®</sup>, Quickset II<sup>®</sup>, QUIET DRIVE TECHNOLOGY<sup>™</sup>, QUIET DRIVE TECHNOLOGY AND DESIGN<sup>™</sup>, Quick-Change<sup>®</sup>, QUIK-TILT<sup>®</sup>, RAPID-RELEASE<sup>™</sup>, RAZOR<sup>®</sup>, Redefining Performance<sup>®</sup>, Riptide<sup>®</sup>, Safe Guard II<sup>®</sup>, Sand Trap and Design<sup>®</sup>, Sanding Center<sup>®</sup>, Saw Boss<sup>®</sup>, Shop Boss<sup>®</sup>, Sidekick<sup>®</sup>, Site Boss<sup>®</sup>, Speed-Bloc<sup>®</sup>, Speedmatic<sup>®</sup>, Stair Ease<sup>®</sup>, Steel Driver Series<sup>®</sup>, SUPERDUTY<sup>®</sup>, T4 & DESIGN<sup>®</sup>, THE AMERICAN WOODSHOP<sup>®</sup>, THE PROFESSIONAL EDGE<sup>®</sup>, Thin-Line<sup>®</sup>, Tiger Saw<sup>®</sup>, TIGERCLAW<sup>®</sup>, TIGERCLAW AND DESIGN<sup>®</sup>, Torq-Buster<sup>®</sup>, TRU-MATCH<sup>®</sup>, T-Square<sup>®</sup>, Twinlaser<sup>®</sup>, Unifence<sup>®</sup>, Uniguard<sup>®</sup>, UNIRIP<sup>®</sup>, UNISAW<sup>®</sup>, UNITED STATES SAW<sup>®</sup>, Veri-Set<sup>®</sup>, Versa-Feeder<sup>®</sup>, VIPER<sup>®</sup>, VT<sup>™</sup>, VT RAZOR<sup>™</sup>, Water Driver<sup>®</sup>, WATER VROOM<sup>®</sup>, Waveform<sup>®</sup>, Whisper Series<sup>®</sup>, X5<sup>®</sup>, YOUR ACHIEVEMENT. OUR TOOLS.<sup>®</sup> Les marques de commerce suivies du symbole ® sont des marques déposées au Bureau des brevets et des marques de commerce des États-Unis (United States Patent and Trademark Office) et peuvent également être déposées dans d'autres pays. D'autres marques de commerce peuvent s'appliquer.

PORTER-CABLE et le logo PORTER-CABLE sont des marques déposées de PORTER-CABLE utilisées sous licence. Tous droits réservés.

**PORTER  CABLE.**

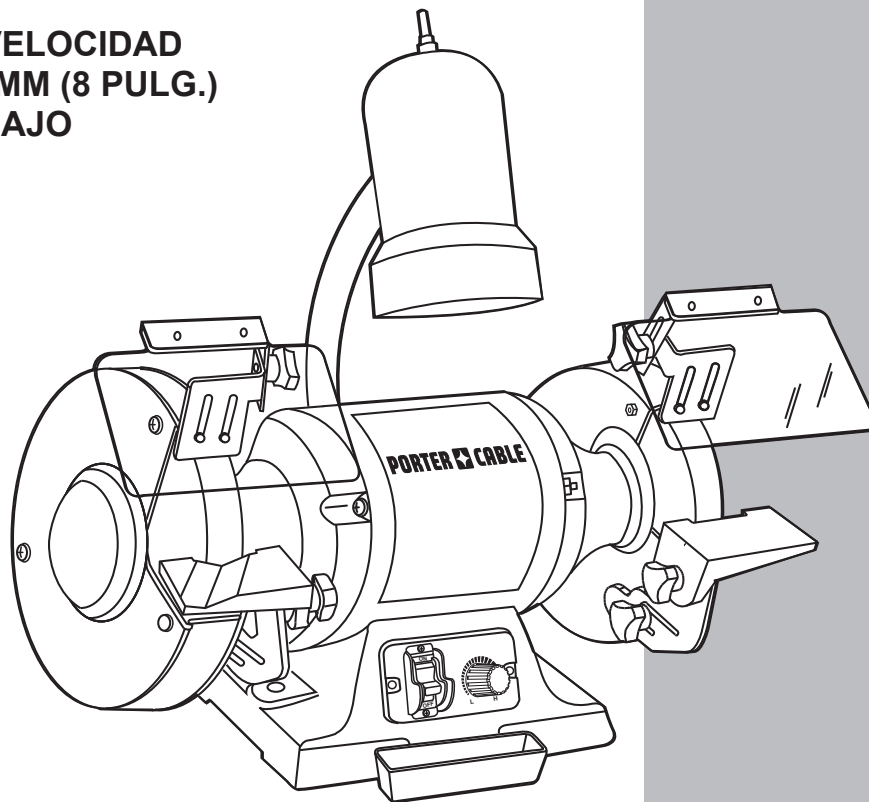
Power Tool Specialists, Inc.  
684 Huey Road, Rock Hill, SC 29730  
(888) 609-9779  
[www.portercable.com](http://www.portercable.com)

# PORTER CABLE®

**8 IN. (200 MM) VARIABLE SPEED  
GRINDER WITH WORKLIGHT**

**MEULE À VITESSE VARIABLE DE  
200 MM (8 PO) AVEC BALADEUSE**

**AMOLADORA DE VELOCIDAD  
VARIABLE DE 200 MM (8 PULG.)  
CON LUZ DE TRABAJO**




## **Instruction Manual**

Manuel d'instructions

Manual de instrucciones

[www.portercable.com](http://www.portercable.com)

INSTRUCTIVO DE OPERACIÓN, CENTROS  
DE SERVICIO Y PÓLIZA DE GARANTÍA.

 **ADVERTENCIA:** LÉASE ESTE  
INSTRUCTIVO ANTES DE USAR EL  
PRODUCTO.

**NÚMERO DE CATÁLOGO  
PCB575BG**

# ÍNDICE

SECCIÓN	PÁGINA
ESPECIFICACIONES DEL PRODUCTO.....	44
PROPOSICION 65 DE CALIFORNIA .....	44
PAUTAS DE SEGURIDAD/DEFINICIONES.....	45
SEGURIDAD EN EL MANEJO DE HERRAMIENTAS ELÉCTRICAS.....	46
SEGURIDAD EN EL MANEJO DE LA MOLEDORA DE BANCO.....	48
REQUISITOS ELÉCTRICOS Y DE SEGURIDAD .....	49
HERRAMIENTAS NECESARIAS PARA EL ENSAMBLADO.....	51
CONTENIDO DE LA CAJA .....	51
CONOZCA SU MOLEDORA DE BANCO .....	52
ENSAMBLE Y AJUSTES.....	53
FUNCIONAMIENTO.....	56
MANTENIMIENTO.....	58
GUÍA PARA LA SOLUCIÓN DE PROBLEMAS.....	59
ACCESORIOS Y ACOPLAMIENTOS .....	60
LISTA DE PIEZAS.....	61
GARANTÍA.....	64

## ESPECIFICACIONES DEL PRODUCTO

### MOTOR

Fuente de energía .....	120 V CA, 60 HZ, 5 A
Caballos de fuerza.....	3/4 HP
Velocidad.....	2000 ~ 3400 RPM
Tipo.....	Inducción
Diámetro del eje.....	5/8 pulg. (15,88 mm)
Interruptor.....	ENCENDIDO/APAGADO

### MUELA

Diámetro .....	8 pulg. (200 mm)
Ancho .....	1 pulg. (25 mm)
Orificio .....	5/8 pulg.(15,88 mm)
<b>FOCO DE LA LUZ</b> (no se suministran)	40 W (máximo)

### ⚠ ADVERTENCIA

Para evitar riesgos de descargas eléctricas, incendios o daños en las herramientas, utilice una protección para circuitos adecuada. Utilice un circuito eléctrico diferente para sus herramientas. Esta moledora viene cableada de fábrica para operaciones de 110-120 voltios. Debe estar conectado a una de 120 V, circuito de 5 A y utilizar un retraso 5 A tiempo fusible o interruptor de circuito. Para evitar descargas eléctricas o incendios, reemplace el cable eléctrico inmediatamente si está desgastado, cortado o dañado de alguna manera.

## PROPOSICION 65 DE CALIFORNIA

### ⚠ ADVERTENCIA

Cierto polvo generado por el lijado, aserrado, amolado y taladrado mecánicos, y por otras actividades de construcción, contiene agentes químicos que se sabe que causan cáncer, defectos de nacimiento u otros daños sobre la reproducción. Algunos ejemplos de estos agentes químicos son:

- Plomo de pinturas a base de plomo,
- Sílice cristalina de ladrillos y cemento y otros productos de mampostería, y
- Arsénico y cromo de madera tratada químicamente.

Su riesgo por causa de estas exposiciones varía, dependiendo de con cuánta frecuencia realice este tipo de trabajo. Para reducir su exposición a estos agentes químicos: trabaje en un área bien ventilada y trabaje con equipo de seguridad aprobado, como por ejemplo máscaras antipolvo que estén diseñadas especialmente para impedir mediante filtración el paso de partículas microscópicas. Evite el contacto prolongado con el polvo generado por el lijado, aserrado, amolado, taladrado y por otras actividades de construcción. Utilice vestimenta de protección y lave las áreas expuestas con agua y jabón. Dejar que el polvo ingrese en la boca o en los ojos, o permanezca en la piel, puede provocar la absorción de agentes químicos nocivos.

### ⚠ ADVERTENCIA

El uso de esta herramienta puede generar o dispersar polvo, lo que puede ocasionar lesiones respiratorias graves o permanentes u otras lesiones. Siempre utilice un respirador apropiado aprobado por NIOSH/OSHA si va a estar expuesto al polvo. Aleje las partículas del rostro y cuerpo.

# PAUTAS DE SEGURIDAD/DEFINICIONES

## ICONOS DE ADVERTENCIA

La herramienta eléctrica y el manual del usuario pueden contener “**ICONOS DE ADVERTENCIAS**” (símbolos dibujados para alertar o instruir al usuario para que evite situaciones de riesgo). La comprensión y la observación de estos símbolos lo ayudarán a manipular su herramienta mejor y con más seguridad.



**ALERTA DE SEGURIDAD:** Precauciones para su seguridad.



**PROHIBIDO**



**UTILICE PROTECCION PARA LOS OJOS:** Siempre use gafas o anteojos de seguridad con protectores laterales.



**LEA Y ENTIENDA EL MANUAL DE INSTRUCCIONES:** Para reducir el riesgo de lesiones, el usuario y todos los espectadores deben leer y comprender el manual de instrucción antes de usar este producto.



**MANTENGA LAS MANOS ALEJADAS DE LA HOJA:** El no mantener las manos alejadas de la hoja puede causar graves lesiones personales.



**APOYE LA PIEZA DE TRABAJO Y ASEGURELA CON ABRAZADERAS**

## **! PELIGRO**

**PELIGRO:** Indica una situación de riesgo inminente que, si no se evita, puede ocasionar lesiones graves o la muerte.

## **! ADVERTENCIA**

**ADVERTENCIA:** Indica una posible situación de riesgo que, si no se evita, puede ocasionar lesiones graves o la muerte.

## **! PRECAUCION**

**PRECAUCION:** Indica una posible situación de riesgo, que si no se evita, puede ocasionar lesiones mínimas o moderadas.

## **PRECAUCION**

**PRECAUCION:** Cuando aparece sin el símbolo de alerta de seguridad, indica una situación de riesgo potencial que, si no se evita, puede producir daños materiales.




# SEGURIDAD EN EL MANEJO DE HERRAMIENTAS ELÉCTRICAS

## INSTRUCCIONES GENERALES DE SEGURIDAD ANTES DE UTILIZAR ESTA HERRAMIENTA ELECTRICA

La seguridad es una combinación de sentido común, precaución y conocimiento del manejo de la herramienta eléctrica.

### ADVERTENCIA

Para evitar errores que podrían ocasionarle lesiones graves, no enchufe la herramienta hasta haber leído y entendido lo siguiente.


-  **LEA** y familiarícese con todo el Manual de instrucciones. **APRENDA** todo lo relacionado con la utilización, las limitaciones y los posibles riesgos de la herramienta.
- MANTENGA LOS PROTECTORES EN SU POSICION** y en correcto funcionamiento.
- EXTRAIGA LAS LLAVES DE AJUSTE Y LAS LLAVES INGLESAS.** Acostúmbrase a revisar la herramienta y a ver que se extraigan de ella las llaves de ajuste antes de ENCENDERLA.
- MANTENGA LIMPIA EL AREA DE TRABAJO.** Los bancos y las áreas de trabajo desordenados provocan accidentes.
- NO LA USE EN UN AMBIENTE PELIGROSO.** No use las herramientas eléctricas en lugares húmedos, ni las exponga a la lluvia o a la nieve. Mantenga el área de trabajo bien iluminada.
- MANTENGA ALEJADOS A LOS NIÑOS.** Todos los visitantes y los transeúntes deben permanecer a una distancia segura del área de trabajo.
- EVITE QUE SUS HERRAMIENTAS PUEDAN SER UTILIZADAS POR LOS NIÑOS,** mediante candados o interruptores maestros, o mediante la extracción de las llaves de encendido.
- NO FUERCE LA HERRAMIENTA.** De esta manera, realizará su trabajo mejor, con más seguridad y a la velocidad para la que está diseñada la herramienta.
- UTILICE LA HERRAMIENTA ADECUADA.** No intente hacer que la herramienta o los acoplamientos realicen trabajos para los cuales no fueron diseñados.
- UTILICE UNA EXTENSION ELECTRICA ADECUADA.** Asegúrese de que la extensión eléctrica esté en buenas condiciones. Al utilizar una extensión eléctrica, asegúrese de que sea suficientemente gruesa para proporcionar la corriente que la herramienta necesita. La utilización de una extensión de menor medida ocasionará una caída en el voltaje de la línea y una pérdida de flujo eléctrico que recalentará la herramienta. La tabla de la página 50 muestra la medida correcta que debe utilizar según el largo de la extensión y el rango de amperios especificado en la placa. Si tiene dudas, utilice el calibre mayor más próximo. Cuanto menor sea el calibre, mayor deberá ser el grosor del cable.
- USE LA VESTIMENTA APROPIADA.** No utilice ropa suelta, guantes, corbatas, anillos ni brazaletes u otros tipos de alhajas que puedan atascarse en las piezas móviles. Se recomienda utilizar calzado antideslizante. Utilice una protección para cubrir y contener el cabello largo.
-  **UTILICE SIEMPRE PROTECCION PARA LOS OJOS.** Cualquier herramienta eléctrica podría despedir y hacer que se introduzcan en sus ojos objetos extraños que podrían ocasionar un daño permanente. Utilice **SIEMPRE** gafas de seguridad (no lentes comunes) que cumplan con la norma de seguridad Z87.1 de ANSI. Los lentes comunes sólo tienen cristales resistentes a los golpes. **NO SON** gafas de seguridad. Las gafas de seguridad están disponibles en Sears. **NOTA:** Los lentes o las gafas que no cumplan con la norma ANSI Z87.1 podrían ocasionarle graves lesiones si se rompen.
- UTILICE UNA MASCARA FACIAL O UNA MASCARILLA CONTRA EL POLVO.** El trabajo realizado con sierras produce polvo.
-  **REALICE UN TRABAJO SEGURO.** Si le resulta práctico, utilice prensas o un tornillo de banco para sujetar el material de trabajo. Es más seguro que utilizar una mano y libera las dos manos para manejar la herramienta.
- DESCONECTE LAS HERRAMIENTAS DE LA FUENTE DE ENERGIA** antes de realizar el mantenimiento y cuando cambie accesorios, como hojas, brocas y cortadores.
- REDUZCA EL RIESGO DE QUE SE PRODUZCA UN ARRANQUE NO DESEADO.** Asegúrese de que el interruptor esté en la posición de APAGADO antes de enchufar la herramienta.
- UTILICE LOS ACCESORIOS RECOMENDADOS.** Consulte el Manual del operador para hallar los accesorios recomendados. La utilización de los accesorios inapropiados puede implicar riesgos de lesiones para usted o para otras personas.

# SEGURIDAD EN EL MANEJO DE HERRAMIENTAS ELÉCTRICAS

18. **NUNCA SE PARE ENCIMA DE LA HERRAMIENTA.**  
Dar vuelta la herramienta o tocar accidentalmente la hoja de corte puede ocasionarle lesiones graves.
19. **COMPRUEBE QUE NO HAYA PIEZAS DAÑADAS.**  
Antes de seguir utilizando la herramienta, debe revisar cuidadosamente los protectores u otras piezas que estén dañados para comprobar que funcionarán correctamente. Revise la alineación y el acoplamiento de las piezas móviles y compruebe que no haya roturas en las piezas o en el montaje y que no existan otras condiciones que puedan afectar su funcionamiento. Los protectores u otras piezas que estén dañados deben arreglarse o reemplazarse debidamente.
20. **NUNCA DEJE DESATENDIDA UNA HERRAMIENTA. CORTE EL SUMINISTRO ELECTRICO.** No se aleje de una herramienta hasta que la hoja se detenga por completo y la herramienta esté desenchufada de la fuente de energía.
21. **NO FUERCE LA POSTURA.** Mantenga el equilibrio y el apoyo correcto de los pies en todo momento.
22. **MANTENGA LAS HERRAMIENTAS CON CUIDADO.** Mantenga las herramientas afiladas y límpielas para que su funcionamiento sea mejor y más seguro. Siga las instrucciones para la lubricación y el reemplazo de los accesorios.
23. **NO utilice** herramientas eléctricas en presencia de líquidos o gases inflamables.
24. **NO opere** la herramienta bajo la influencia de drogas, alcohol o medicamentos que pudieran afectar su capacidad para utilizar la herramienta correctamente.
25. El polvo originado por ciertos materiales puede ser dañino para su salud. Maneje siempre la sierra en lugares bien ventilados y proporcione un método adecuado para la remoción de polvo.
26. **UTILICE PROTECCIÓN AUDITIVA** para reducir el riesgo de pérdida de la audición ocasionada por el ruido.



# SEGURIDAD EN EL MANEJO DE LA MOLEDORA DE BANCO

-  Utilice protección para ojos que cumpla con las especificaciones de la norma Z87.1 de ANSI.
- Utilice muelas abrasivas que sean apropiadas para las velocidades de la moledora.
- Cuando encienda la moledora de banco, párese a un costado y no frente a ella.
- No quite el protector de la muela.
- No utilice la muela de la moledora para cortar.
- No utilice nada que presione la muela para afilar.
- Utilice una rectificadora para muelas abrasivas para darles forma o para quitarles los residuos.
- Ajuste la distancia entre la muela y el soporte para herramientas de modo que quede una separación de 1/8 pulg. (3.2 mm) o menor a medida que el diámetro de la muela disminuya por el uso.
- Conecte la herramienta a un circuito eléctrico que esté protegido por un interruptor de circuitos o por un fusible de retardo.
- Sujete la moledora de banco en un soporte para evitar que se dé vuelta, se deslice o se mueva sobre la superficie de soporte.
  - Reemplace inmediatamente las muelas rajadas.
  - Utilice siempre los protectores de las muelas y los protectores para los ojos.
  - No ajuste demasiado la tuerca de la muela.
  - Utilice únicamente las bridas que se suministran con esta moledora.
- Inspeccione siempre las muelas abrasivas antes de utilizarlas para controlar que no tengan rajaduras, partes faltantes, etc. Reemplace las muelas defectuosas inmediatamente antes de usarlas.
- UTILICE ÚNICAMENTE MUELAS ABRASIVAS** que cumplan con la norma B7.1 de ANSI y que puedan utilizarse a más 3450 r. p. m.
- PROTEJASE CONTRA LAS DESCARGAS ELÉCTRICAS** evitando el contacto físico con las superficies con conexión a tierra. Por ejemplo: tuberías, radiadores, estufas y refrigeradores.
- NO UTILICE** muelas con orificios de tamaño incorrecto. Nunca utilice arandelas o tornillos para muelas que estén defectuosos o que no sean los adecuados y **NUNCA** toque una muela abrasiva ni ninguna otra pieza móvil.
- NUNCA** intente tomar una pieza de trabajo, un trozo de material ni cualquier otro objeto que se interfiere con la trayectoria de la muela o se encuentre cerca de ésta.
- EVITE TAREAS Y POSTURAS DE LAS MANOS QUE SEAN EXTRANAS**, en las que un deslizamiento repentino pueda hacer que su mano resbale hacia la muela. Asegúrese SIEMPRE de mantener el equilibrio.
- NUNCA** se pare delante de la moledora ni deje que alguna parte de su cuerpo quede en línea con la trayectoria de la muela.
- NO UTILICE LA HERRAMIENTA SI EL INTERRUPTOR NO ENCIENDE NI APAGA.** Haga que los interruptores defectuosos sean reemplazados en un centro de servicio autorizado.
- NO ENCIENDA Y APAGUE EL INTERRUPTOR DEL MOTOR RAPIDAMENTE.** Esto puede hacer que la muela se afloje y puede generar riesgos. En caso de que esto ocurra, aléjese de la máquina y deje que la muela se detenga por completo. Desconecte la moledora de la fuente de energía y vuelva a ajustar firmemente la tuerca de la muela.
- RIESGOS DE LESIONES PROVOCADAS POR UN ARRANQUE ACCIDENTAL.** No utilice la herramienta en áreas en las que haya niños presentes.
- NUNCA ENCIENDA LA MOLEDORA** cuando la muela esté en contacto con la pieza de trabajo.
- REALICE UN TRABAJO SEGURO.** Sujete siempre la pieza de trabajo firmemente contra el soporte para piezas.
- NO UTILICE LA MOLEDORA DE BANCO** si falta la tuerca con brida o la tuerca de fijación o si el eje está torcido.
- Limpie FRECUENTEMENTE** la suciedad acumulada debajo de la moledora.
- NO TRABAJE CON ESTA HERRAMIENTA SI SE HALLA BAJO EL EFECTO DE LAS DROGAS, EL ALCOHOL O ALGUNA MEDICACION.**
- PONGA ATENCION EN TODO MOMENTO.** No permita que el hecho de estar familiarizado con la moledora debido a la utilización frecuente lo lleve a cometer un error por descuido. **RECUERDE SIEMPRE** que un descuido de una fracción de Segundo es suficiente para ocasionar una lesión grave.
- PONGA ATENCION Y MANTENGA EL CONTROL.** Preste atención a lo que está haciendo y use el sentido común. No opere la herramienta cuando esté cansado. No se apresure.

# SEGURIDAD EN EL MANEJO DE LA MOLEDORA DE BANCO

28. **GUARDE ESTAS INSTRUCCIONES.** Remítase a ellas con frecuencia y utilícelas para instruir a otros usuarios. Si presta esta herramienta, no olvide hacerlo junto con estas instrucciones.
29. **Cuando comience a desbastar, SIEMPRE COLOQUE SUAVEMENTE LA PIEZA DE TRABAJO CONTRA LA MUELA.** Cualquier impacto fuerte puede romper la muela. Cuando comience a desbastar, aplique una presión suave. Demasiada presión sobre la muela fría puede hacer que ésta se parta.
30. **Utilice únicamente LAS BRIDAS** que se suministran con esta moledora.
31. **EN CASO DE QUE ALGUNA PIEZA DE LA MOLEDORA** se pierda, se rompa, se doble o falle de algún modo, o de que algún componente eléctrico falle, apague la moledora, desenchúfela y haga que cambien las piezas dañadas, perdidas o falladas antes de continuar la operación.
32. **PROTECCION DE SEGURIDAD Y DEFLECTOR DE CHISPAS.** Los protectores de seguridad y los deflectores de chispas son ajustables, para mayor comodidad del operador. La operación de la moledora sin estos complementos puede causarle lesiones graves. No utilice la moledora si el protector de seguridad está levantado. Utilice siempre gafas de seguridad para su protección personal.
33. **SOPORTE PARA PIEZAS.** Los soportes de la pieza de trabajo se ajustan de forma independiente para compensar el desgaste producido en la muela. Antes de comenzar a utilizar la moledora, asegúrese de que los soportes de la pieza estén correctamente ajustados. Por lo general, la operación se realiza colocando la pieza apenas encima del centro de la muela abrasiva.
34. Las hojas de las podadoras de césped generalmente se afilan en un solo borde y apenas se desbarban del otro. Realice este proceso de afilar en ambos extremos de corte de la cuchilla. Luego de afilar, equilibre la pieza quitando el material adicional.

## REQUISITOS ELÉCTRICOS Y DESEGURIDAD

### ESPECIFICACIONES DEL SUMINISTRO ELÉCTRICO Y DEL MOTOR

#### **⚠ ADVERTENCIA**

Para evitar riesgos de descargas eléctricas, incendios o daños en las herramientas, utilice una protección para circuitos adecuada. Utilice un circuito eléctrico diferente para sus herramientas. La moledora viene cableada de fábrica para operaciones de 120 voltios. Conéctela a un circuito de 120 V y 5 A, y use un interruptor de circuito o un fusible de acción retardada de 5 A. Para evitar descargas eléctricas o incendios, si el cable de alimentación está desgastado, cortado o dañado de alguna manera, solicite sea reemplazado inmediatamente.

### INSTRUCCIONES PARA LA CONEXIÓN A TIERRA

#### **⚠ ADVERTENCIA**

La herramienta debe estar conectada a tierra mientras esté funcionando, para proteger al operador contra descargas eléctricas.

**EN CASO DE QUE EXISTA UNA FALLA EN EL FUNCIONAMIENTO O UNA AVERIA,** la conexión a tierra proporciona una menor resistencia para la corriente eléctrica y reduce el riesgo de descargas. Esta herramienta está equipada con un cable eléctrico que tiene un conductor y un enchufe para conexión a tierra. El enchufe debe estar conectado a un tomacorriente de combinación que esté instalado debidamente y conectado a tierra según TODOS los códigos y las ordenanzas locales.

### NO MODIFIQUE EL ENCHUFE QUE SE

**PROPORCIONA.** Si no encaja en el tomacorriente, haga que un técnico calificado instale uno adecuado.

**LA CONEXION INAPROPIADA** del conductor de conexión a tierra del equipo puede ocasionar un riesgo de descarga eléctrica. El conductor con aislamiento verde (con rayas amarillas o sin ellas) es el conductor de conexión a tierra. Si el cable eléctrico o el enchufe necesitan ser reparados o reemplazados, NO conecte este conductor a una terminal que tenga corriente.

**HAGA QUE** un electricista calificado o una persona del servicio técnico revisen la conexión si no entiende completamente las instrucciones para la conexión a tierra o si no está seguro de que la herramienta está correctamente conectada a tierra.

**UTILICE únicamente extensiones eléctricas de 3 cables que tengan enchufes de conexión a tierra de 3 espigas y tomacorrientes de 3 polos que concuerden con el enchufe de la herramienta. Repare o reemplace inmediatamente las extensiones eléctricas dañadas o desgastadas.**

Utilice un circuito eléctrico separado para la herramienta. Este circuito no debe tener cables menores que los N.º 18 y debe estar protegido con un fusible de retardo de 5 A. Antes de conectar el motor a la línea de energía eléctrica, asegúrese de que el interruptor esté en la posición de APAGADO y de que la corriente eléctrica sea la misma que la especificada en la placa del motor. Si la herramienta funciona con un voltaje menor, el motor se dañará.

# REQUISITOS ELÉCTRICOS Y DESEGURIDAD

## EXTENSIONES ELECTRICAS

### Utilice una extensión eléctrica apropiada.

Asegúrese de que la extensión eléctrica esté en buenas condiciones. Al utilizar una extensión eléctrica, asegúrese de que sea suficientemente gruesa para proporcionar la corriente que la herramienta necesita. Una extensión eléctrica de menor medida puede ocasionar una caída en el voltaje de la línea y, en consecuencia, una pérdida de potencia y el recalentamiento de la máquina.

Asegúrese de que la extensión eléctrica esté bien conectada y en buenas condiciones. Reemplace siempre las extensiones eléctricas dañadas o haga que un técnico calificado las repare antes de utilizarlas. Proteja las extensiones eléctricas contra los objetos afilados y el calor excesivo, y aléjelas de las áreas húmedas o mojadas.

CALIBRE MÍNIMO PARA EXTENSIONES ELECTRICAS (AWG)					
(Sólo cuando la corriente es de 120 V)					
Rango de amperios		Longitud total del cable en pies			
More Than	Not More Than	25 (7,62)	50 (15,24)	100 (30,48)	150 (45,72)
		ft. m)			
		AWG- Calibre Estadounidense Para Cables			
0	6	18	16	16	14
6	10	18	16	14	12
10	12	16	16	14	12
12	16	14	12	No se recomienda	

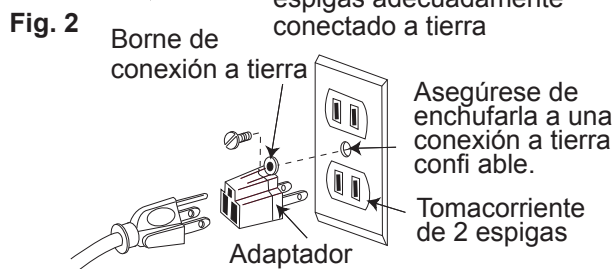
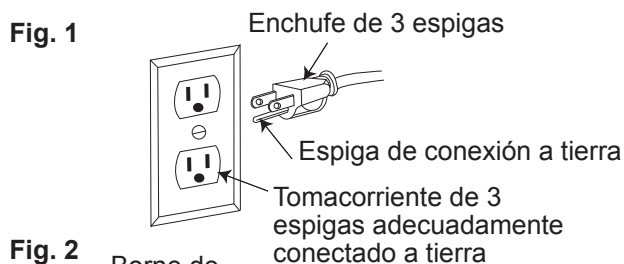
### ⚠ ADVERTENCIA

Esta herramienta puede usarse solamente en interiores. No la exponga a la lluvia ni la utilice en lugares mojados.

Esta herramienta está diseñada para ser utilizada con un circuito que tenga un tomacorriente como el que se muestra en la Figura 1. La Figura 1 muestra un enchufe eléctrico de tres espigas y un tomacorriente con conexión a tierra. Si no dispone de un tomacorriente adecuadamente conectado a tierra, puede utilizar un adaptador (Fig. 2,) para conectar provisoriamente este enchufe a un tomacorriente de 2 espigas, con conexión a tierra. El adaptador (Figura 2) tiene un borne rígido que DEBE estar conectado permanentemente a tierra, por ejemplo, en una caja de tomacorriente. El Código Eléctrico Canadiense prohíbe el uso de adaptadores.

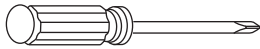
### ⚠ PRECAUCION

En todos los casos, asegúrese de que el tomacorriente esté correctamente conectado a tierra. Si no está seguro, haga que un técnico calificado revise el tomacorriente.

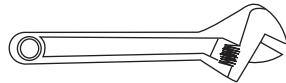


## HERRAMIENTAS NECESARIAS PARA EL MONTAJE

No Se Suministran



Destornillador phillips



Llave ajustable

## CONTENIDO DE LA CAJA

### DESEMPAQUE Y VERIFICACIÓN DEL CONTENIDO

Desempaque cuidadosamente la herramienta y todas sus partes y compare contra la lista y la ilustración de la derecha. Junto con un asistente, coloque la moledora sobre una superficie segura y examínela cuidadosamente.

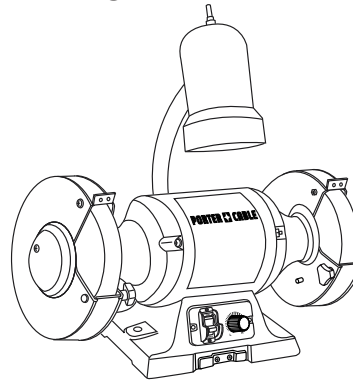
### ! ADVERTENCIA

- Para evitar lesiones por un arranque inesperado o por una descarga eléctrica, no enchufe el cable de alimentación en la fuente de energía durante el desempaque y ensamble. El cable debe mantenerse desenchufado mientras se ajusta/ensambla la moledora.
- La sierra es pesada y se debe levantar con cuidado. Si es necesario, pida ayuda para levantar y mover la moledora.
- Si faltan piezas o están dañadas, no intente ensamblar la moledora ni enchufar el cable de alimentación hasta que se hayan reemplazado las piezas faltantes o dañadas.

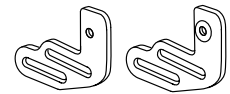
### TABLA DE PIEZAS SUELTAS

ARTÍCULO	DESCRIPCIÓN	CANTIDAD
A.	Moledora de banco	1
B.	Soportes de montaje de los protectores para los ojo	2
C.	Soporte para herramientas	2
D.	Bolsa de herrajes de portaherramientas y protectores para los ojos	
	Perilla de inmovilización / Arandela plana	2 de cada uno
	Tuerca de inmovilización de la perilla / Arandela plana / Perno cabeza de hongo	2 de cada uno
E.	Protectores contra las chispas	2
F.	Bolsa de accesorios del protector contra chispas	
	Tornillo Phillips	4
	Arandelas freno	4
	Arandela plana	4
G.	Protectores de ojos derecho / izquierdo	1 de cada uno
H.	Bandeja de enfriamiento	1
I.	Rectificadora de muela	1

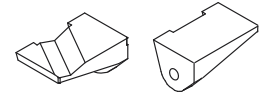
## DESEMPAQUE DE LA MOLEDORA DE BANCO



A



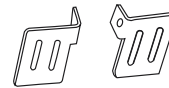
B



C



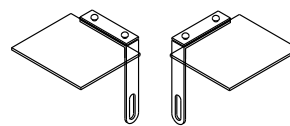
D



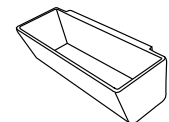
E



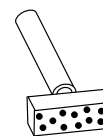
F



G

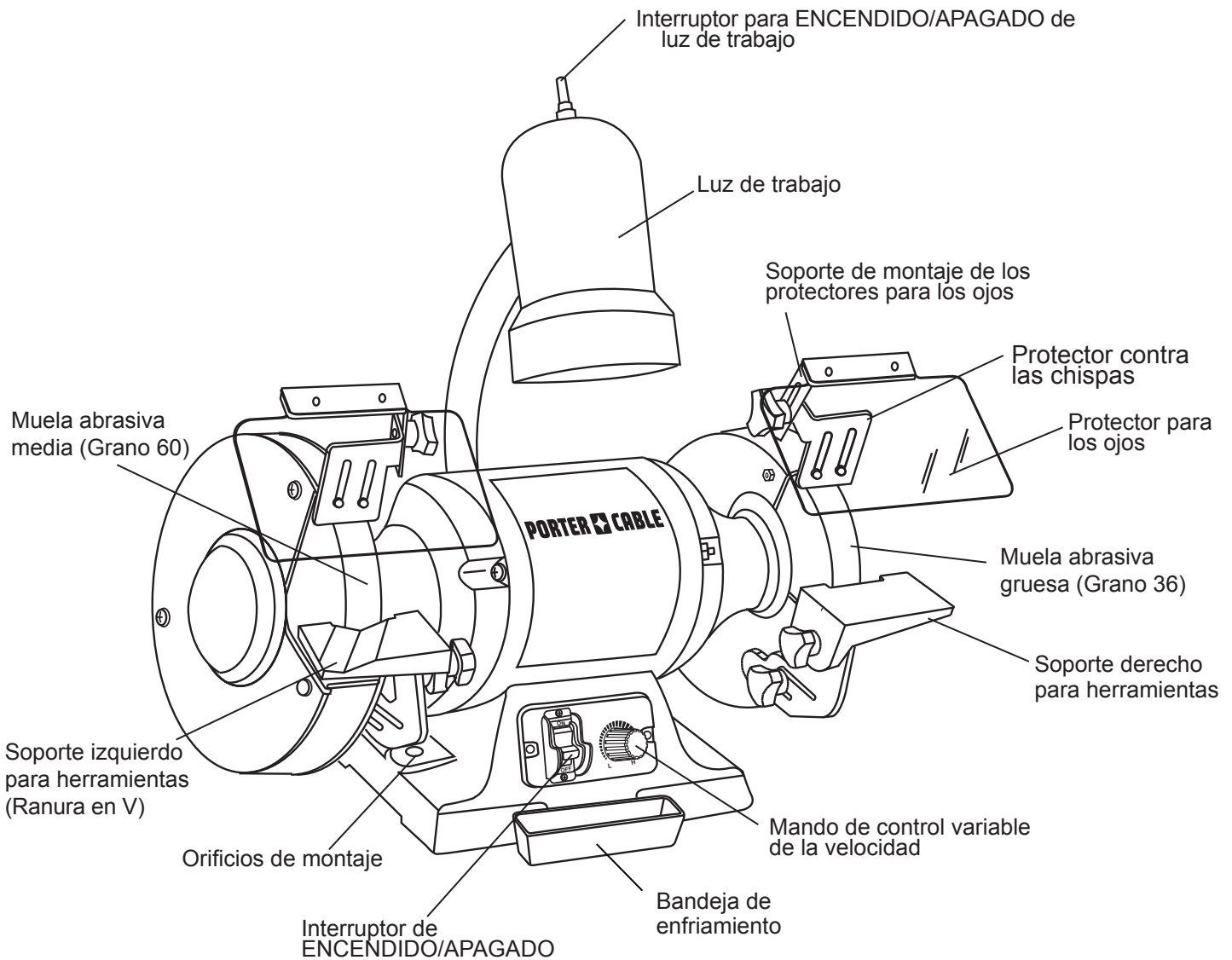


H



I

# CONOZCA SU MOLEDORA DE BANCO





# ENSAMBLE Y AJUSTES

Tiempo calculado para el ensamble:

De 10 a 20 minutos

## ⚠ PRECAUCION

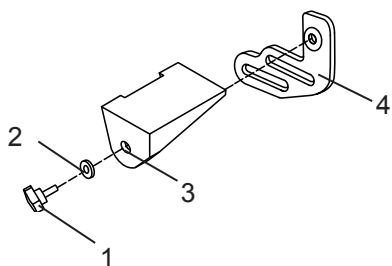
Para evitar lesiones, asegúrese de que todas las piezas estén correctamente ensambladas y ajustadas antes de enchufar la moledora al tomacorriente y antes de encenderla.

### INSTALACION DE LOS SOPORTES PARA HERRAMIENTAS (FIG. A, B, C)

1. **Bolsa "D"**. Inserte la perilla de tranca (1) a través de la arandela plana (2) y el portapieza del lado derecho (3) al soporte de montaje del portapieza del lado derecho (4) como se ilustra.

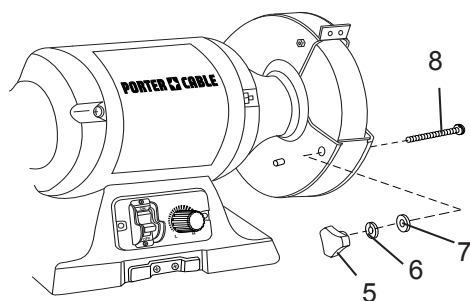
**NOTA:** El portaherramientas acanalado se monta en el lado izquierdo de la amoladora.

Fig. A



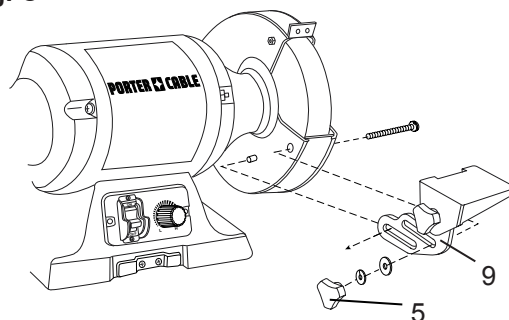
2. Retire la perilla (5), la arandela de bloqueo (6) y la arandela plana (7) del perno cabeza de hongo (8) en la porción inferior del protector de la muela.

Fig. B



3. Fije el ensamble del portapieza (9) al esmeril como se ilustra.
4. Vuelva a colocar las arandelas y la perilla de tranca (5).
5. Repita el procedimiento en el soporte para herramientas izquierdo. **NOTA:** Cuando use los soportes para herramientas, debe ajustarlos a 1/8 pulg. (3,2 mm) de distancia de la muela abrasiva o de cualquier otro accesorio que esté utilizando.

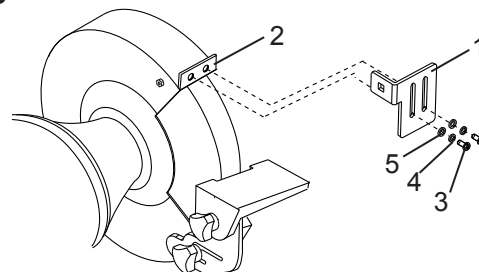
Fig. C



### INSTALACIÓN DE LOS PROTECTORES CONTRA CHISPAS (FIG. D)

1. **Bolsa "F"**. Fije el protector contra chispas derecho (1) a la almohadilla prolongada (2) del protector utilizando los pernos (3), las arandelas elásticas (4) y las arandelas planas (5).
2. Repita para el protector contra chispas del lado izquierdo. **NOTA:** A medida que la muela se desgasta, los protectores contra chispas deberán reajustarse para mantener una distancia de 1/16 pulg. (1,6 mm).

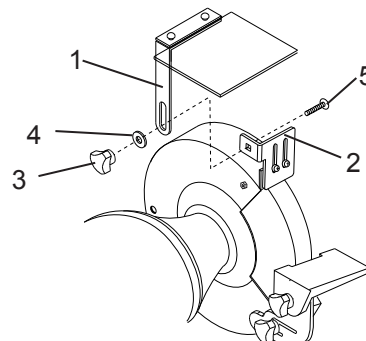
Fig. D



### INSTALACIÓN DE LOS PROTECTORES PARA LOS OJOS (FIG. E)

1. **Bolsa "D"**. Fije el protector para los ojos del lado derecho (1) al protector contra chispas (2) utilizando la tuerca de inmovilización de la perilla (3), la arandela de bloqueo (4) y el perno cabeza de hongo (5).
2. Repita para el protector de ojos del lado izquierdo. **NOTA:** Ajuste los protectores para los ojos a la distancia adecuada de los portaherramientas evitando la interferencia cuando esté funcionando.

Fig. E



## CAMBIO DE LAS MUELAS ABRASIVAS

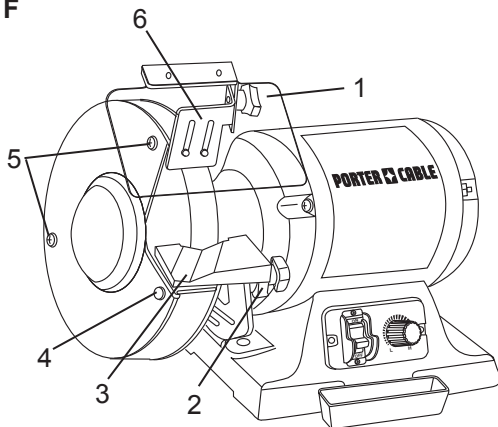
(FIG. F, G, G-1, H)

### ⚠ PRECAUCION

Apague y desenchufe la moledora de banco. Utilice sólo muelas abrasivas de 8 pulg. (200 mm) de diámetro. Esta herramienta cuenta con árboles de 5/8 pulg. (15,88 mm) en ambos lados.

1. Levante el protector para los ojos (1) y coloque la protector contra chispas (6) en su ajuste más alto.
2. Afloje la perilla (2) y retire el ensamble del portaherramientas (3) y el perno cabeza de hongo (4).
3. Extraiga los dos tornillos (5) de la cubierta de la muela izquierda y quite la cubierta.

Fig. F



4. Para prevenir la muela giratoria, coloque una cuña de madera (7) (no se suministran) entre la muela y la cubierta de la muela como se ilustra en la Fig. G.

**NOTA:** Usando un objeto metálico, como un destornillador, no se recomienda ya que podría dañar la muela abrasive.

5. Quite la tuerca hexagonal (8) (como se ilustra en la Fig. G), la brida de la muela (9) y la muela (10). (Fig. H)

Fig. G

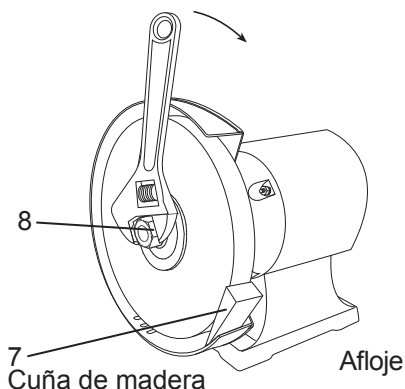
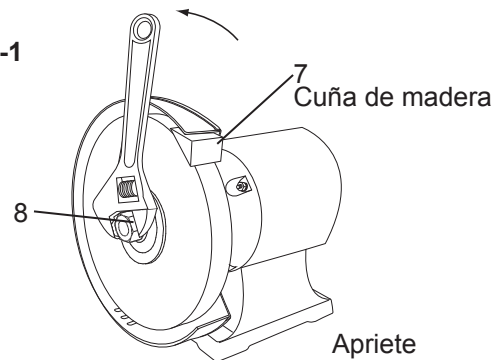


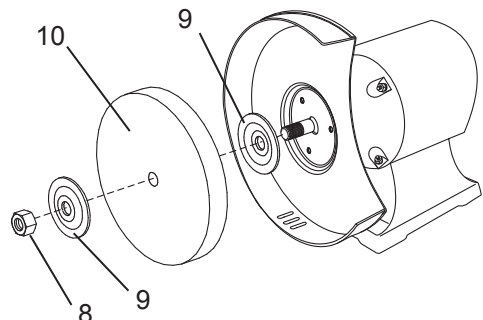
Fig. G-1



**NOTA:** La tuerca del lado derecho de la moledora tiene una rosca derecha estándar (que se gira en el sentido contrario de las manecillas del reloj para desajustar). La tuerca del lado izquierdo tiene una rosca izquierda (que se gira en el sentido de las manecillas del reloj para desajustar). Ambas tuercas se aprietan cuando giran hacia la parte trasera de la amoladora y se aflojan cuando giran hacia el frente de la amoladora.

6. Inspeccione la muela (10) para asegurarse de que no tenga rajaduras, roturas ni otros daños visibles (distintos del desgaste normal) y deséchela en caso de detectar algún daño. Controle que la arandela de papel secante/ cartón no esté dañada. Si el papel secante no está presente o está significativamente dañado, reemplácelo con un trozo de cartón fi no o con otro papel secante de la misma forma. **NUNCA USE LA MUELA ABRASIVA SIN PAPEL SECANTE.**
7. Instale la muela nueva u otro accesorio. Asegúrese de que las dos bridas de cada muela (9) estén en su lugar con los lados cóncavos hacia las muelas. (Fig. H)
8. Coloque una cuña de madera (7) (no se suministran) entre la muela y la cubierta de la muela como se ilustra en la Fig. G-1.  
**NOTA:** No apriete la tuerca ya que esto puede romper la muela abrasive (10).
9. Reemplace la cubierta de la muela y los tornillos.
10. Vuelva a fijar y ajuste el portaherramientas a 1/8 pulg. (3,2 mm) de la muela y apriete de forma segura.
11. Vuelva a fijar y ajuste el protector de los ojos a un punto entre sus ojos y la muela.
12. Coloque el protector contra chispas a 1/16 pulg. (1,6 mm) de la muela.

Fig. H



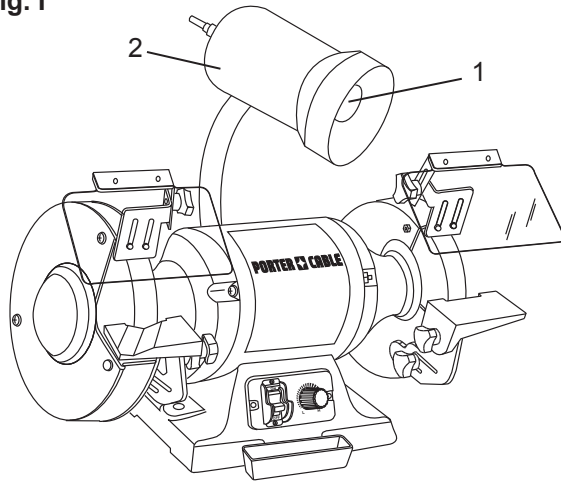


## REEMPLAZO DEL FOCO (FIG. I)

**NOTA:** La bombilla no está incluida.

1. Extraiga el foco (1) de la pantalla de la lámpara(2).
2. Instale el nuevo foco (Bombilla de máximo 40 W.) en la pantalla (1).

Fig. I



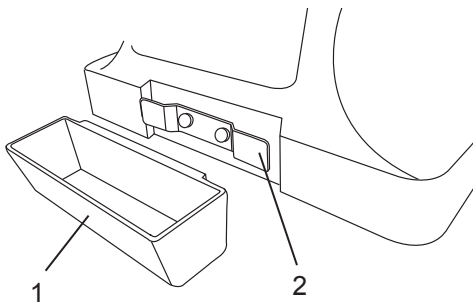
## ⚠ PRECAUCION

- Para evitar lesiones por encendidos accidentales, asegúrese de que el interruptor esté en la posición de APAGADO y de que el enchufe no esté conectado al tomacorriente.
- Para evitar lesiones por quemaduras con el foco de luz, nunca lo toque hasta que se haya enfriado completamente.
- Para evitar descargas eléctricas, nunca toque ninguna parte del foco de luz cuando el enchufe esté conectado a un tomacorriente.
- Se recomienda utilizar una bombilla resistente a la vibración para esta amoladora.

## INSTALACIÓN DE LA BANDEJA DE REFRIGERANTE (FIG. J)

1. Coloque la bandeja de refrigerante (1) en los sujetadores (2).

Fig. J

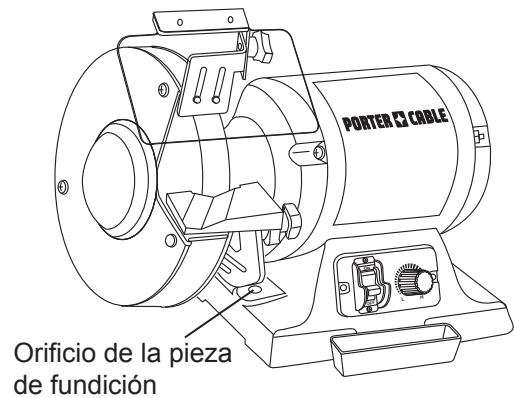


## MONTAJE DE LA HERRAMIENTA SOBRE UN BANCO DE TRABAJO (FIG. K)

**NOTA:** Recomendamos que sujete firmemente con pernos esta moledora en un banco de trabajo para lograr la mayor estabilidad de la herramienta.

1. Utilizando la base de la moledora de banco como plantilla, marque el banco a través de los orificios de la pieza de fundición.
2. Sujete la moledora en el banco de trabajo con pernos, arandelas y tuercas. Estos sujetadores no se suministran con la herramienta.

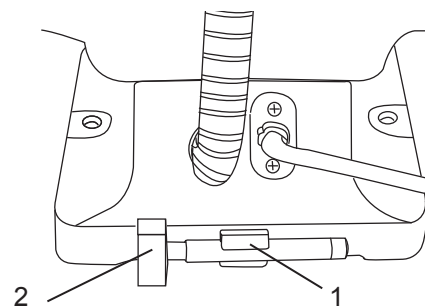
Fig. K



## ALMACENAJE DE LA HERRAMIENTA RECTIFICADORA DE LA MUELA (Fig. L)

Los sujetadores para almacenaje (1) de la herramienta rectificadora de la muela (2) están ubicados en la parte posterior de la amoladora.

Fig. L



# FUNCIONAMIENTO

## COMO ENCENDER Y APAGAR LA MOLEDORA (FIG. M)

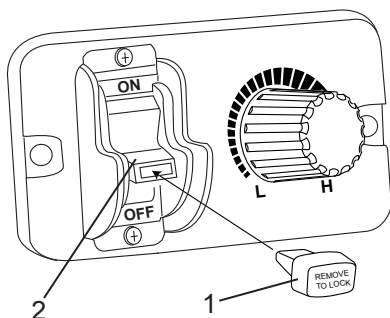
El interruptor ON / OFF tiene una llave plástica negra removible. Con la llave retirada del interruptor, se minimiza el uso no autorizado o peligroso por parte de los niños u otras personas.

1. Para encender la amoladora, inserte la llave (1) en la ranura del interruptor (2) y mueva el interruptor a la posición "ON".
2. Para apagar la amoladora, mueva el interruptor a la posición "OFF".
3. Para asegurar el interruptor en la posición OFF, agarre el extremo de la llave del interruptor de seguridad y hágalo hacia afuera.
4. Cuando la llave de remoción de seguridad se ha retirado, el interruptor no funciona.
5. Si la llave del interruptor se retira mientras la amoladora está en funcionamiento, puede apagarse pero no podrá volverse a activar sin insertar la llave del interruptor.

### ⚠ PRECAUCION

Siempre bloquee el interruptor en "OFF" cuando la amoladora no esté en uso. Retire la llave y consérvela en un lugar seguro. En caso de que halla una falla eléctrica, un fusible quemado o un interruptor de circuito averiado, coloque el interruptor en la posición de APAGADO y quite la llave; así evitará que se produzca un arranque accidental cuando vuelva la energía.

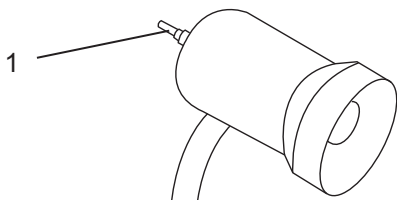
Fig. M



## USO DE LA LUZ DE TRABAJO (FIG. N)

1. Para encender la luz de trabajo, gire el interruptor de la luz de trabajo (1) en el sentido antihorario.
2. Para apagar la luz de trabajo, gire el interruptor de la luz de trabajo (1) en el sentido horario.

Fig. N



### ⚠ PRECAUCION

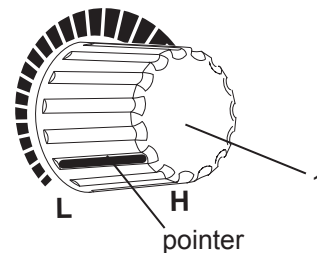
- Para evitar lesiones por encendidos accidentales, asegúrese de que el interruptor esté en la posición de APAGADO y de que el enchufe no esté conectado al tomacorriente.
- Para evitar lesiones por quemaduras con el foco de luz, nunca lo toque hasta que se haya enfriado completamente.
- Para evitar descargas eléctricas, nunca toque ninguna parte del foco de luz cuando el enchufe esté conectado a un tomacorriente.
- Se recomienda utilizar una bombilla resistente a la vibración para esta amoladora.

## AJUSTE DE LA VELOCIDAD DE LA AMOLADORA (FIG. O)

Su amoladora viene equipada con una perilla de control de velocidad variable. La velocidad de la amoladora puede regularse simplemente girando la perilla de control de velocidad variable.

1. Para aumentar la velocidad, gire la perilla de control de velocidad variable (1) en el sentido horario.
2. Para disminuir la velocidad, gire la perilla de control de velocidad variable (1) en el sentido antihorario.

Fig. O



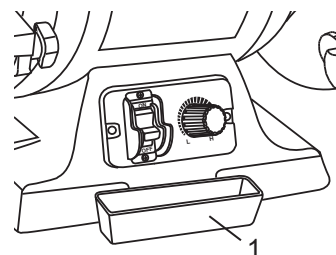
## ENFRIAMIENTO DE LA PIEZA DE TRABAJO (FIG. P)

La bandeja del refrigerante (1) le permite enfriar las piezas de trabajo recalentadas. Simplemente hale la bandeja hacia arriba y llénela hasta la mitad con el refrigerante adecuado, tal como agua.

### ⚠ PRECAUCION

No llene excesivamente la bandeja para el refrigerante.

Fig. P



## TRABAJOS GENERALES

### **⚠ PRECAUCION**

**Mantenga a los transeúntes a una distancia segura de la herramienta y evite que se ubiquen en línea directa, al frente o en la parte trasera de la moledora.**

1. La moledora de banco tiene una muela media (de grano 60) para una extracción mediana de material y para operaciones en general y una muela gruesa (de grano 36) para desbastar el material rápidamente.
2. Para operar la moledora de banco, utilice gafas de seguridad, encienda la herramienta y párese al costado y no al frente de la máquina. Antes de utilizar la máquina, deje pasar 30 segundos hasta que alcance la máxima velocidad.
3. Sostenga la pieza de trabajo firmemente contra el soporte para herramientas. Sostenga las piezas pequeñas con pinzas o con prensas apropiadas.
4. Coloque la pieza de trabajo en forma lenta y pareja sobre la muela abrasiva.
5. Mueva la pieza de trabajo lentamente para evitar que se atasque contra la muela. Si la muela tiende a disminuir la velocidad a causa de una fuerza excesiva, libere la presión para que la muela vuelva a alcanzar la máxima velocidad.
6. Realice la operación utilizando el frente de la muela abrasiva y nunca el costado de ésta. (Algunas muelas están diseñadas para desbaste lateral, en cuyo caso lo indicarán en el papel secante o cartón.)

### **⚠ PRECAUCION**

**Un desbaste prolongado hará que la mayoría de los materiales se calienten. Tenga cuidado cuando manipule estos materiales.**

## TIJERAS

Si es posible, desarme las tijeras para que la afilación sea más fácil y segura. Quite el material únicamente de la superficie exterior y trabaje del extremo grueso de la hoja hacia la punta.

## CUCHILLOS

Quite el metal de ambas caras de la mayoría de los cuchillos trabajando del extremo grueso de la hoja hacia la punta.

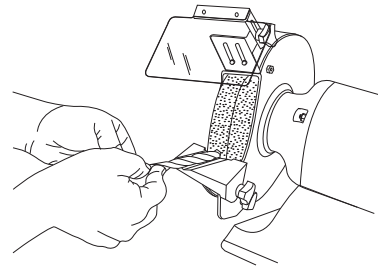
## DESTORNILLADORES

El extremo de un destornillador afilado adecuadamente es un rectángulo perfecto, completamente plano y perpendicular a la línea central del vástago. Ambos lados y ambas caras deberán disminuir gradualmente hacia la punta a partir del borde del vástago o reborde. Deben quedar planos con las caras de intersección perpendiculares. Sostenga cada cara del destornillador contra la rueda para retocarla, luego coloque el extremo recto en la piedra para retocarlo.

## BROCAS HELICOIDALES PARA TALADROS (FIG. Q)

Las brocas para taladros se afilan mejor con una plantilla para afilar disponible en la mayoría de las ferreterías, pero también se pueden afilar directamente en su moledora de banco. Comience en un lado del punto en el ángulo existente, luego gire la broca manteniendo un ángulo constante con la superficie de amolar. Afíle únicamente la punta. Esta técnica requiere de una práctica considerable, así que tómese su tiempo y haga algunos afilados “en seco” con la moledora apagada. Asegúrese de mantener el corte del borde del ángulo original ya que éste es importante para la eficiencia de sus brocas. Uno de los soportes para herramientas tiene una ranura en V que posee el ángulo correcto para la mayoría de las brocas para taladro.

Fig. Q



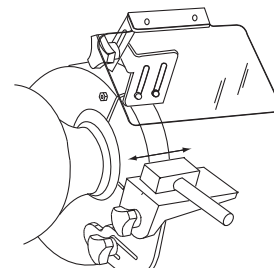
## HOJAS PARA CORTADORAS DE CESPED

Las hojas para cortadoras de césped normalmente están afiladas en un solo lado y ligeramente afiladas en el otro. Después de afilar, asegúrese de balancear la hoja quitando el material adicional del extremo grueso. Existen en el mercado una cantidad de balanzas cónicas para estos fines. Las hojas desbalanceadas pueden provocar un serio daño en el cigüeñal de su cortadora de césped. Quite siempre los cables de las bujías de la cortadora antes de hacerle el servicio a las hojas, para así prevenir que se encienda accidentalmente.

## ACABANDO UNA RUEDA RECTIFICADORA (FIG. R)

Con la amoladora se incluye una herramienta rectificadora de la muela. Mueva el rectificador hacia adelante sobre el portaherramientas hasta rozar el punto alto de la cara de la rueda y acabe la rueda moviendo el rectificador de lado a lado. Repita dicho procedimiento hasta que la cara de la rueda quede limpia y las esquinas de la rueda estén parejas. **NOTA:** NO utilice la herramienta rectificadora de la muela en muelas de alambre.

Fig. R



# MANTENIMIENTO

## **⚠ PRECAUCION**

Para su propia seguridad, coloque el interruptor en la posición "OFF" (apagado) y desenchufe la la moledora de banco de la fuente de alimentación antes de realizar ajustes o de realizar el mantenimiento. Si el cable de alimentación está desgastado, cortado o dañado de alguna manera, solicite sea reemplazado inmediatamente.

## **⚠ PRECAUCION**

- Nunca utilice agentes cáusticos para limpiar las piezas de plástico de la herramienta.
- Nunca permita que la moledora entre en contacto con el agua.
- No se recomienda el uso de ningún otro accesorio ya que puede ocasionar lesiones graves.

## **GENERALES**

1. Revise la herramienta con regularidad y utilice un cepillo de cerda suave para quitar la suciedad acumulada. Use gafas de seguridad para proteger sus ojos durante la operación de limpieza.
2. Si el cuerpo de la moledora requiere limpieza, límpielo con un paño suave y húmedo. Se puede utilizar un detergente suave. No utilice alcohol, gasolina o agentes de limpieza similares. No haga contacto con las muelas afiladoras y un paño húmedo.
3. Asegúrese siempre de que los protectores para los ojos sean transparentes y de que no bloqueen la visión de la muela abrasiva.
4. Con el uso normal, las muelas abrasivas se pueden agrietar, rajar, redondear en los bordes, astillar, desalinearse o llenarse de materiales ajenos. Las muelas agrietadas deben ser reemplazadas INMEDIATAMENTE. Mientras el resto de las condiciones pueden ser reparadas con una herramienta para afilar (incluido), algunas veces las muelas nuevas necesitan ser afiladas para que queden redondas.
5. Si usted debe reemplazar una muela, asegúrese de obtener una con una calificación de velocidad segura que sea, por lo menos, tan alta como el número de r. p. m. indicado en la placa informativa de la moledora. Las muelas de repuesto deberán tener un agujero central de 5/8 pulgada (15,88 mm), 8 pulgadas (200 mm) de diámetro y un ancho máximo de 1 pulgada (25 mm). Compruebe que las muelas nuevas no tengan grietas y mantenga la secuencia existente del material de retención. Asegúrese de que la herramienta esté desenchufada antes de intentar repararla.

# GUIA PARA LA SOLUCION DE PROBLEMAS

## ADVERTENCIA

Para evitar lesiones por un arranque accidental, APAGUE el interruptor y siempre retire el enchufe de la fuente de energía antes de realizar ajustes.

### PIEZAS DE REPUESTO

Utilice sólo piezas de repuesto idénticas. Para obtener una lista de las piezas o para solicitarlas, visite nuestro sitio Web en [www.portercable.com](http://www.portercable.com). También puede solicitar piezas al Centro de servicio técnico de fábrica de Porter-Cable más cercano o al Centro de servicio de garantía autorizado de Porter-Cable. También puede llamar a nuestro Centro de atención al cliente al (888) 609-9779.

### SERVICIO Y REPARACIONES

Todas las herramientas de calidad necesitan, eventualmente, mantenimiento o reemplazo de piezas. Para obtener información acerca de Porter-Cable, los centros de servicio técnico de fábrica o los centros de servicio de garantía autorizados, visite nuestro sitio web en [www.portercable.com](http://www.portercable.com) o llame al Centro de atención al cliente al (888) 609-9779. Todas las reparaciones que se realicen en nuestros centros de servicio técnico están garantizadas contra defectos en el material y la mano de obra. No podemos garantizar las reparaciones que realizaron o intentaron realizar terceros. También puede escribirnos para obtener información a Power Tool Specialists, Inc. 684 Huey Road, Rock Hill, SC 29730, (888) 609-9779 - Atención: Product Service. Asegúrese de incluir toda la información incluida en la placa de identificación de su herramienta (número de modelo, tipo, número de serie, etc.).

PROBLEMA	CAUSA DEL / PROBLEMA	ACCIÓN CORRECTIVA SUGERIDA
El motor no funciona.	<ol style="list-style-type: none"><li>1. No está enchufado en un tomacorriente.</li><li>2. El interruptor y la llave no están en la posición de ENCENDIDO.</li><li>3. El cable del motor está cortado o gastado.</li><li>4. El enchufe del cable es defectuoso.</li><li>5. Hay una falla en el motor.</li><li>6. Se quemó un fusible del circuito.</li></ol>	<ol style="list-style-type: none"><li>1. Enchúfelo en el tomacorriente.</li><li>2. Inserte la llave y gire el interruptor hasta la posición de ENCENDIDO.</li><li>3. Comuníquese con el Centro de servicio técnico o con la Estación de servicio técnico autorizada de Porter-Cable para reparaciones o reemplazo de piezas.</li><li>4. Comuníquese con el Centro de servicio técnico o con la Estación de servicio técnico autorizada de Porter-Cable para reparaciones o reemplazo de piezas.</li><li>5. Comuníquese con el Centro de servicio técnico o con la Estación de servicio técnico autorizada de Porter-Cable para reparaciones o reemplazo de piezas.</li><li>6. Reinicie; es posible que haya muchas máquinas en línea.</li></ol>
La muela abrasiva vibra o se mueve.	<ol style="list-style-type: none"><li>1. La muela abrasiva no está correctamente ajustada.</li><li>2. Otro.</li></ol>	<ol style="list-style-type: none"><li>1. Ajuste correctamente la muela abrasiva. Vea la sección de AJUSTES.</li><li>2. Comuníquese con el Centro de servicio técnico o con la Estación de servicio técnico autorizada de Porter-Cable para reparaciones o reemplazo de piezas.</li></ol>

Si necesita ayuda con su producto, visite nuestro sitio web en [www.portercable.com](http://www.portercable.com) para obtener una lista de los centros de servicio técnico o llame al Centro de atención al cliente de Porter-Cable al (888) 609-9779.

# ACCESORIOS Y ACOPLAMIENTOS

## ACCESORIOS DISPONIBLES

### ADVERTENCIA

Los accesorios que no ofrece Porter-Cable no se han probado con este producto; por lo tanto, utilizar tales accesorios con esta herramienta podría ser peligroso. Para reducir el riesgo de lesiones, con este producto solo deben utilizarse los accesorios recomendados por Porter-Cable.

En el Centro de servicio técnico de fábrica de Porter-Cable o en el Centro de servicio de garantía autorizado de Porter-Cable encontrará la línea completa de accesorios. Visite nuestro sitio web, [www.portercable.com](http://www.portercable.com), para obtener un catálogo o para conseguir el nombre de su distribuidor más cercano.

### ADVERTENCIA

No utilice ningún accesorio, a menos que haya leído completamente el Manual de instrucciones de dicho accesorio.



# LISTA DE PIEZAS

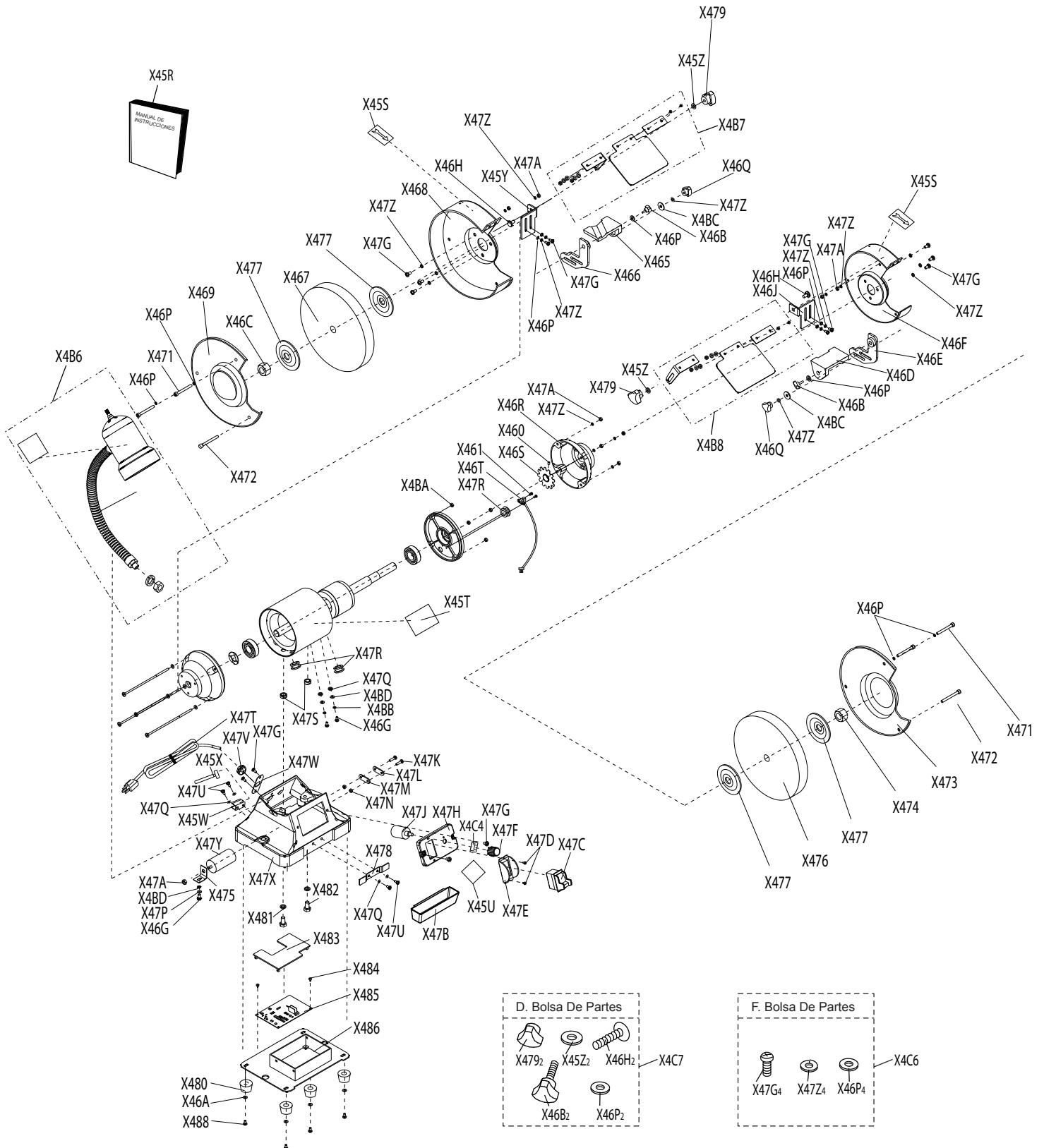
## AMOLADORA DE VELOCIDAD VARIABLE DE 200 MM (8 PULG.) CON LUZ DE TRABAJO

### LISTA DE PIEZAS

N.º de ID	DESCRIPCIÓN	TAMAÑO	CANT.	N.º de ID	DESCRIPCIÓN	TAMAÑO	CANT.
X488	TORNILLO PHILLIPS (BLANCO)	M5X16	4	X46S	PLACA		1
X486	CUBIERTA DE BASE		1	X46R	TAPA TERMINAL DERECHA		1
X485	PLANCHA PC		1	X46Q	CONTRATUERCA	M5	2
X484	TORNILLO PHILLIPS (BLANCO)	ST2.9X5	2	X46P	ARANDELA PLANA	D5	10
X483	CUBIERTA DE LA PLANCHA PC		1	X46K	TORNILLO PHILLIPS	M4X12	4
X482	TORNILLO PHILLIPS (BLANCO)	M8X22	2	X46J	PROTECTOR CONTRA CHISPAS DERECHO		1
X481	ARANDELAS FRENO (BLANCO)	D8	2	X46H	PERNO CABEZA DE HONGO	M6X12	2
X480	TACO DE GOMA		4	X46G	TORNILLO PHILLIPS (BLANCO)	M4X8	3
X47Z	ARANDELAS FRENO	D5	20	X46F	PROTECTOR DE SEGURIDAD DERECHO		1
X47Y	CONDENSADOR		1	X46E	PORTAPIEZA FIJO DERECHA		1
X47X	BASE		1	X46D	PORTAPIEZA MÓVIL DERECHA		1
X47W	PLACA DE FIJACIÓN DEL SUJETADOR DEL CABLE		1	X46C	TUERCA HEXAGONAL TIPO I (BLANCO)	M16 LEFT	1
X47V	SUJETADOR DE CABLE		1	X46B	PERILLA DE INMOVILIZACIÓN	M6X17	2
X47U	TORNILLO PHILLIPS	M4X8	4	X46A	ARANDELA PLANA GRANDE (BLANCO)	D5	4
X47T	CABLE Y ENCHUFE		1	X469	CUBIERTA DEL PROTECTOR DE SEGURIDAD IZQUIERDO		1
X47S	TUERCA ESPECIAL	M8	2	X468	PROTECTOR DE SEGURIDAD IZQUIERDO		1
X47R	COJINETE DEL CABLE		3	X467	MUELA	60#	1
X47Q	ARANDELA DE BLOQUEO DENTADA	D4	6	X466	PORTAPIEZA FIJO IZQUIERDO		1
X47P	ARANDELAS FRENO	D4	5	X465	PORTAPIEZA MÓVIL IZQUIERDO		1
X47N	TUERCA HEXAGONAL	M4	6	X461	TORNILLO PHILLIPS	M2.5X8	2
X47M	PLACA DE FIJACIÓN		1	X460	TORNILLO PHILLIPS	M4X6	1
X47L	PLACA DE MONTAJE		1	X45Z	ARANDELA PLANA	D6	2
X47K	TORNILLO PHILLIPS	M4X25	2	X45Y	PROTECTOR CONTRA CHISPAS IZQUIERDO		1
X47J	CONTROLADOR DE VELOCIDAD		1	X45X	RECTIFICADORA DE MUELA		1
X47H	PLACA DEL INTERRUPTOR		1	X45W	SUJETADOR DE LA RECTIFICADORA DE LA MUELA		1
X47G	TORNILLO PHILLIPS	M5X10	14	X45U	ETIQUETA DE VELOCIDAD VARIABLE		1
X47F	PERILLA DE CONTROL DE VELOCIDAD		1	X45T	ETIQUETA DE DATOS		1
X47E	PROTECTOR DEL INTERRUPTOR		1	X45S	ETIQUETA INDICADORA DE ROTACION		2
X47D	TORNILLO PHILLIPS	M3X10	2	X45R	MANUAL DE INSTRUCCIONES		1
X47C	INTERRUPTOR		1	X4BD	ARANDELA PLANA (BLANCO)	D4	3
X47B	BANDEJA DE ENFRIAMIENTO		1	X4BC	ARANDELA PLANA GRANDE	D5	2
X47A	TUERCA HEXAGONAL TIPO I	M5	9	X4BB	ARANDELA DE RESORTE ESTÁNDAR (BLANCO)	D4	2
X479	CONTRATUERCA	M6	2	X4BA	TUERCA HEXAGONAL TIPO I (BLANCO)	M5	4
X478	SUJETADOR DE LA BANDEJA DE REFRIGERANTE		1	X4B8	ENSAMBLE DEL PROTECTOR DEI OJO DERECHO		1
X477	FLANGE		4	X4B7	ENSAMBLE DEL PROTECTOR DEL OJO IZQUIERDO		1
X476	MUELA	36#	1	X4B6	ENSAMBLE DE LA BOMBILLA		1
X475	SOPORTE DEL CONDENSADOR		1	X4C4	CUBIERTA DE FRICCIÓN		1
X474	TUERCA HEXAGONAL (BLANCO)	M16	1				
X473	CUBIERTA DEL PROTECTOR DE SEGURIDAD DERECHA		1				
X472	PERNO CABEZA DE HONGO	M5X51	2				
X471	TORNILLO PHILLIPS	M5X48	4				
X46T	SENSOR		1				
					<b>BOLSA DE PARTES</b>		
				X4C7	BOLSA DE HERRAJES DE PORTAHERRAMIENTAS Y PROTECTORES PARA LOS OJOS		1
				X4C6	BOLSA DE ACCESORIOS DEL PROTECTOR CONTRA CHISPAS		1

# AMOLADORA DE VELOCIDAD VARIABLE DE 200 MM (8 PULG.) CON LUZ DE TRABAJO

## ESQUEMA



**NOTA**

# GARANTÍA

## GARANTIA LIMITADA POR TRES AÑO

PORTER-CABLE reparará, sin cargo, cualquier defecto en materiales defectuosos o en la mano de obra durante tres años a partir de la fecha de compra. Esta garantía no cubre las fallas que las piezas pudieran tener como consecuencia del desgaste normal o por el mal uso de la herramienta. Para obtener más detalles acerca de la cobertura de la garantía e información sobre reparaciones en garantía, visite [www.portercable.com](http://www.portercable.com) o llame al (888) 609-9779. Esta garantía no se aplica a los accesorios ni a daños provocados por reparaciones que realizaron o intentaron realizar terceros. Esta garantía le otorga derechos legales específicos, además de los cuales puede tener otros dependiendo del estado o provincia en que se encuentre.

Además de la garantía, las herramientas PORTER-CABLE están cubiertas por nuestro:

**SERVICIO DE MANTENIMIENTO GRATUITO POR 1 AÑO:** PORTER-CABLE hará el mantenimiento de la herramienta y reemplazará las piezas desgastadas por el uso normal, sin costo alguno, durante el primer año a partir de la fecha de compra.

**GARANTÍA DE REEMBOLSO POR 90 DÍAS:** si por algún motivo no estuviera completamente satisfecho con el rendimiento de su herramienta eléctrica PORTER-CABLE, puede devolverla dentro de los 90 días posteriores a la compra junto con el recibo de compra para obtener el reintegro completo; no se le harán preguntas.

**AMÉRICA LATINA:** Esta garantía no se aplica a los productos que se venden en América Latina. Para los productos que se venden en América Latina, debe consultar la información de la garantía específica del país que viene en el empaque, llamar a la compañía local o visitar el sitio Web a fin de obtener esa información.

Para registrar la herramienta para obtener el mantenimiento cubierto por la garantía de la herramienta, visite nuestro sitio web en [www.portercable.com](http://www.portercable.com).

### REEMPLAZO DE LAS ETIQUETAS DE ADVERTENCIA

Si las etiquetas de advertencia se tornan ilegibles o se pierden, llame al (888) 609-9779 para reemplazarlas sin costo alguno.

Las siguientes son marcas comerciales de PORTER-CABLE que distinguen a una o más herramientas y accesorios eléctricos: un diagrama en negro y gris, un diseño de "estrella de cuatro puntas" y tres franjas longitudinales contrastantes/delineadas.

Las siguientes también son marcas comerciales para uno o más productos de Porter-Cable y Delta. 2 BY 4<sup>®</sup>, 890<sup>™</sup>, Air America<sup>®</sup>, AIRBOSS<sup>™</sup>, Auto-Set<sup>®</sup>, B.O.S.S.<sup>®</sup>, Bammer<sup>®</sup>, Biesemeyer<sup>®</sup>, Builders Saw<sup>®</sup>, Charge Air<sup>®</sup>, Charge Air Pro<sup>®</sup>, CONTRACTOR SUPER-DUTY<sup>®</sup>, Contractor's Saw<sup>®</sup>, Delta<sup>®</sup>, DELTA<sup>®</sup>, Delta Industrial<sup>®</sup>, DELTA MACHINERY & DESIGN<sup>™</sup>, Delta Shopmaster and Design<sup>®</sup>, Delta X5<sup>®</sup>, Deltacraft<sup>®</sup>, DELTAGRAM<sup>®</sup>, Do It. Feel it.<sup>®</sup>, DUAL LASERLOC AND DESIGN<sup>®</sup>, EASY AIR<sup>®</sup>, EASY AIR TO GO<sup>™</sup>, ENDURADIAMOND<sup>®</sup>, Ex-Cell<sup>®</sup>, Front Bevel Lock<sup>®</sup>, Get Yours While the Sun Shines<sup>®</sup>, Grip to Fit<sup>®</sup>, GRIPVAC<sup>™</sup>, GTF<sup>®</sup>, HICKORY WOODWORKING<sup>®</sup>, Homecraft<sup>®</sup>, HP FRAMER HIGH PRESSURE<sup>®</sup>, IMPACT SERIES<sup>™</sup>, Innovation That Works<sup>®</sup>, Jet-Lock<sup>®</sup>, Job Boss<sup>®</sup>, Kickstand<sup>®</sup>, LASERLOC<sup>®</sup>, LONG-LASTING WORK LIFE<sup>®</sup>, MAX FORCE<sup>™</sup>, MAX LIFE<sup>®</sup>, Micro-Set<sup>®</sup>, Midi-Lathe<sup>®</sup>, Monsoon<sup>®</sup>, MONSTER-CARBIDE<sup>™</sup>, Network<sup>®</sup>, OLDHAM<sup>®</sup>, Omnijig<sup>®</sup>, PC EDGE<sup>®</sup>, Performance Crew<sup>™</sup>, Performance Gear<sup>®</sup>, Pocket Cutter<sup>®</sup>, Porta-Band<sup>®</sup>, Porta-Plane<sup>®</sup>, Porter-Cable<sup>®</sup>, Porter-Cable Professional Power Tools<sup>®</sup>, Powerback<sup>®</sup>, POZI-STOP<sup>™</sup>, Pressure Wave<sup>®</sup>, PRO 4000<sup>®</sup>, Proair<sup>®</sup>, Quicksand and Design<sup>®</sup>, Quickset II<sup>®</sup>, QUIET DRIVE TECHNOLOGY<sup>™</sup>, QUIET DRIVE TECHNOLOGY AND DESIGN<sup>™</sup>, Quick-Change<sup>®</sup>, QUIK-TILT<sup>®</sup>, RAPID-RELEASE<sup>™</sup>, RAZOR<sup>®</sup>, Redefining Performance<sup>®</sup>, Riptide<sup>®</sup>, Safe Guard II<sup>®</sup>, Sand Trap and Design<sup>®</sup>, Sanding Center<sup>®</sup>, Saw Boss<sup>®</sup>, Shop Boss<sup>®</sup>, Sidekick<sup>®</sup>, Site Boss<sup>®</sup>, Speed-Bloc<sup>®</sup>, Speedmatic<sup>®</sup>, Stair Ease<sup>®</sup>, Steel Driver Series<sup>®</sup>, SUPERDUTY<sup>®</sup>, T4 & DESIGN<sup>®</sup>, THE AMERICAN WOODSHOP<sup>®</sup>, THE PROFESSIONAL EDGE<sup>®</sup>, Thin-Line<sup>®</sup>, Tiger Saw<sup>®</sup>, TIGERCLAW<sup>®</sup>, TIGERCLAW AND DESIGN<sup>®</sup>, Torq-Buster<sup>®</sup>, TRU-MATCH<sup>®</sup>, T-Square<sup>®</sup>, Twinlaser<sup>®</sup>, Unifence<sup>®</sup>, Uniguard<sup>®</sup>, UNIRIP<sup>®</sup>, UNISAW<sup>®</sup>, UNITED STATES SAW<sup>®</sup>, Veri-Set<sup>®</sup>, Versa-Feeder<sup>®</sup>, VIPER<sup>®</sup>, VT<sup>™</sup>, VT RAZOR<sup>™</sup>, Water Driver<sup>®</sup>, WATER VROOM<sup>®</sup>, Waveform<sup>®</sup>, Whisper Series<sup>®</sup>, X5<sup>®</sup>, YOUR ACHIEVEMENT. OUR TOOLS.<sup>®</sup> Las marcas comerciales que tengan el símbolo ® están registradas en la Oficina de Marcas Comerciales y Patentes de Estados Unidos y también pueden estar registradas en otros países. Es posible que se apliquen otras marcas comerciales.

PORTER-CABLE y el logo PORTER-CABLE son marcas comerciales registradas de PORTER-CABLE y se utilizan bajo licencia. Todos los derechos reservados.

**PORTER  CABLE.**

Power Tool Specialists, Inc.  
684 Huey Road, Rock Hill, SC 29730  
(888) 609-9779  
[www.portercable.com](http://www.portercable.com)

## Free Manuals Download Website

<http://myh66.com>

<http://usermanuals.us>

<http://www.somanuals.com>

<http://www.4manuals.cc>

<http://www.manual-lib.com>

<http://www.404manual.com>

<http://www.luxmanual.com>

<http://aubethermostatmanual.com>

Golf course search by state

<http://golfingnear.com>

Email search by domain

<http://emailbydomain.com>

Auto manuals search

<http://auto.somanuals.com>

TV manuals search

<http://tv.somanuals.com>