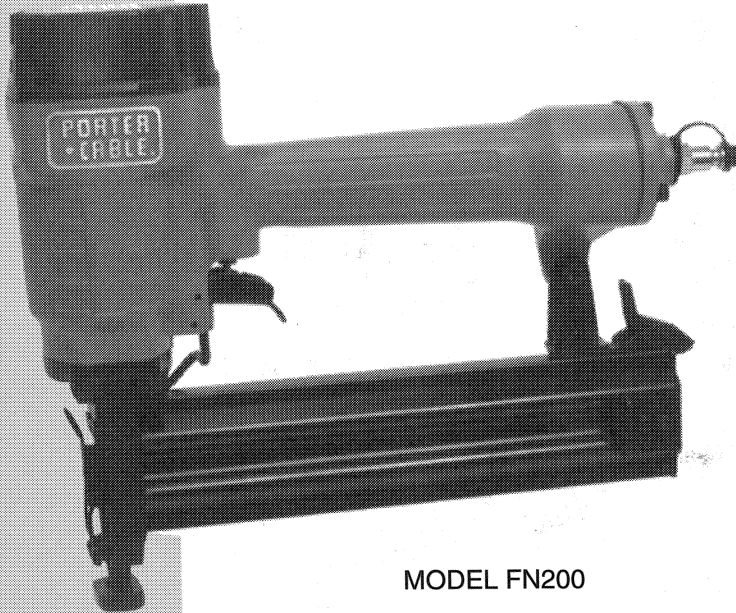


# FINISH NAILER

Instruction  
manual



MODEL FN200

### **IMPORTANT**

*Please make certain that the person who is to use this equipment carefully reads and understands these instructions before starting operations.*

The Model and Serial No. plate is located on the main housing of the tool. Record these numbers in the spaces below and retain for future reference.

Model No. \_\_\_\_\_

Type \_\_\_\_\_

Serial No. \_\_\_\_\_

Part No. 883794-699

**PORTER-CABLE**  
PROFESSIONAL POWER TOOLS

# IMPORTANT SAFETY INSTRUCTIONS

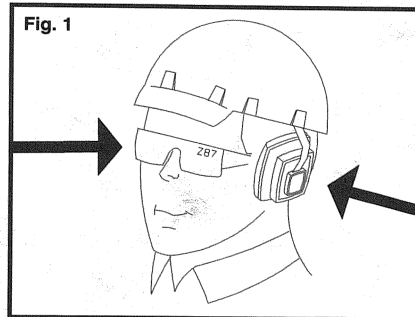
**WARNING:** When using pneumatic tools, basic safety precautions should always be followed to reduce the risk of personal injury, including the following:

READ AND FOLLOW ALL INSTRUCTIONS.

There are certain applications for which this tool was designed. Porter-Cable strongly recommends that this tool NOT be modified and/or used for any application other than for which it was designed. If you have any questions relative to its application DO NOT use the tool until you have written Porter-Cable and we have advised you.

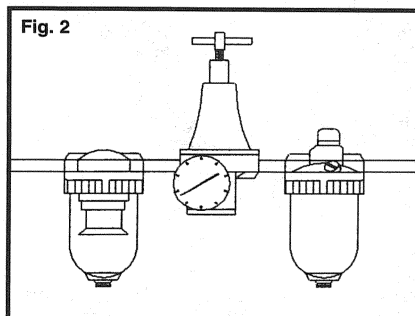
Technical Service Manager  
Porter-Cable Corporation  
4825 Highway 45 North  
P. O. Box 2468  
Jackson, TN 38302-2468

**1. USE SAFETY GLASSES.** To prevent eye injuries, the tool operator and all persons in the work area must wear safety glasses with permanently attached, rigid, plastic side shields. These safety glasses must conform to ANSI Z87.1 requirements (approved glasses have "Z87" printed or stamped on them).



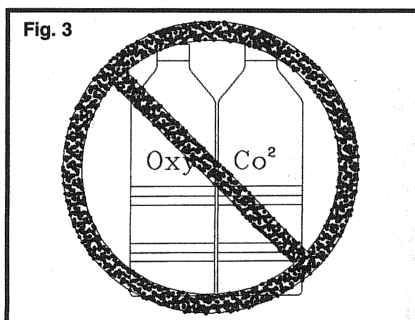
**2. WEAR EAR PROTECTION** to safeguard against possible hearing loss.

**3. USE CLEAN, DRY, REGULATED** compressed air at 70 to 120 PSI, (4.8 to 8.3 BAR).



**4. DO NOT CONNECT TOOL TO** pressure which potentially exceeds 200 PSI (13.7 BAR).

**5. ONLY USE AIR HOSE THAT IS RATED** for a maximum working pressure of 150 PSI or 150% of the maximum system pressure, which ever is greater.



**6. NEVER USE OXYGEN, CARBON DIOXIDE,** combustible gases or any other bottled gas as a power source for this tool: explosion and serious personal injury could result.

**7. CONNECT TOOL TO AIR SUPPLY HOSE** with a coupling that removes all pressure from the tool when the coupling is disconnected.

**8. DISCONNECT TOOL FROM AIR SUPPLY HOSE** before doing tool maintenance, clearing a jammed fastener, leaving work area, moving tool to another location, or handing the tool to another person.

**9. NEVER USE A TOOL** that is leaking air, has missing or damaged parts, or requires repair. Make sure all screws and caps are securely tightened.

**10. NEVER USE TOOL IF SAFETY,** trigger or springs are inoperable, missing or damaged. Do not alter or remove safety, trigger, or springs. Make daily inspections for free movement of trigger and safety mechanism.

**11. DO NOT USE TOOL WITHOUT SAFETY WARNING LABEL.** If label is missing, damaged or unreadable, contact your Porter-Cable Service Center for a replacement.

**12. ONLY USE PARTS, FASTENERS, AND ACCESSORIES** recommended by Porter-Cable.

**13. CONNECT TOOL TO AIR SUPPLY BEFORE** loading fasteners, to prevent a fastener from being fired during connection. The tool driving mechanism may cycle when tool is connected to the air supply.

Fig. 4

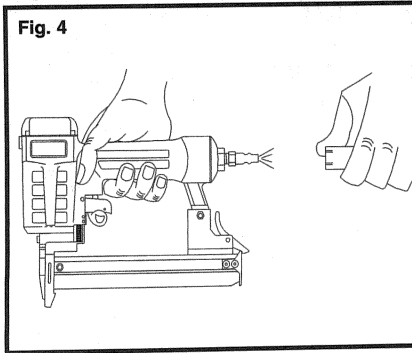


Fig. 5

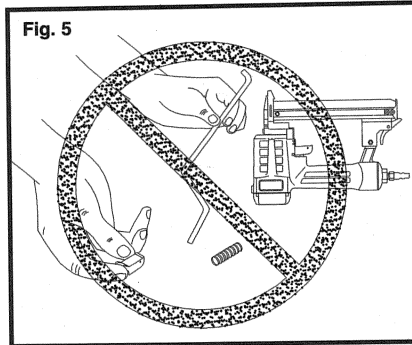


Fig. 6

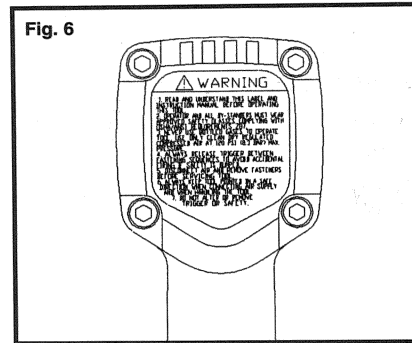
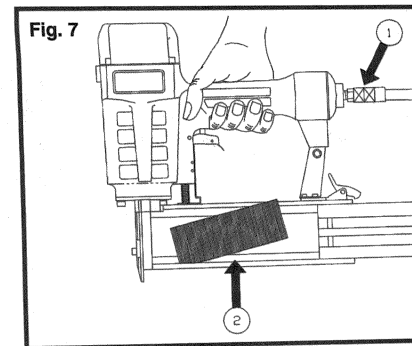
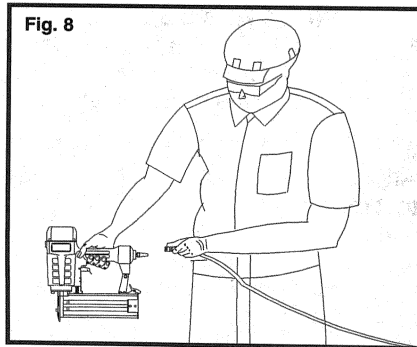


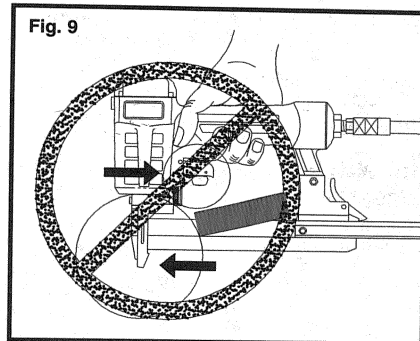
Fig. 7



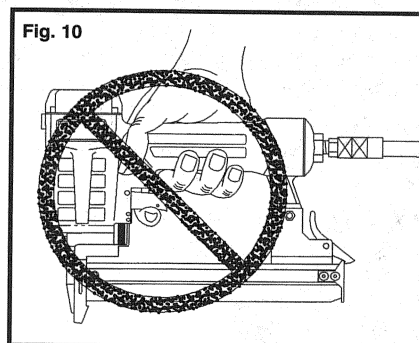
**14. ALWAYS ASSUME THE TOOL CONTAINS FASTENERS.** Keep the tool pointed away from yourself and others at all times. No horseplay. Respect the tool as a working implement.



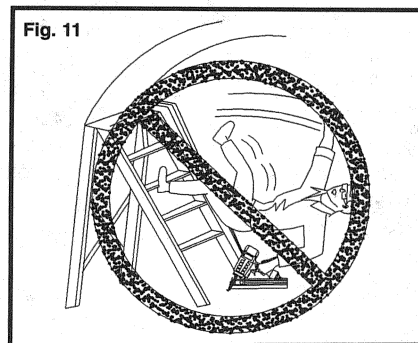
**15. DO NOT LOAD FASTENERS** with trigger or safety depressed, to prevent unintentional firing of a fastener.



**16. REMOVE FINGER FROM TRIGGER** when not driving fasteners. Never carry tool with finger on trigger: tool will fire a fastener if safety is bumped while trigger is depressed.



**17. DON'T OVERREACH.** Keep proper footing and balance at all times when using or handling the tool.



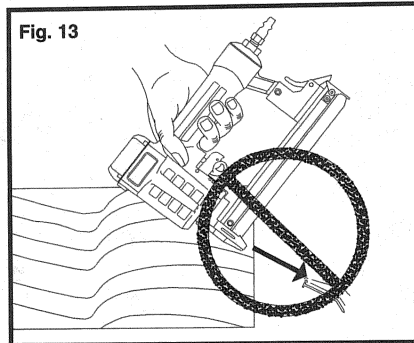
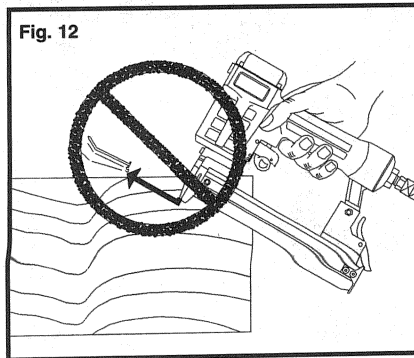


**18. FIRE FASTENERS INTO WORK SURFACE ONLY:** never into materials too hard to penetrate.

**19. HOLD TOOL FIRMLY** to minimize recoil. Recoil can cause a second fastener to be fired unintentionally.

**20. DO NOT DRIVE FASTENERS** on top of other fasteners, or with the tool at too steep an angle: the fasteners can ricochet causing personal injury.

**21. DO NOT DRIVE FASTENERS CLOSE** to the edge of the workpiece. The workpiece is likely to split allowing the fastener to fly free or ricochet causing personal injury.



## EMPLOYER'S RESPONSIBILITIES

Employer must enforce compliance with the safety warnings and all other instructions contained in this manual.

Keep this manual available for use by all people assigned to use this tool.

For personal safety and proper operation of this tool, read and follow all of these instructions carefully.

## OPERATING INSTRUCTIONS

### FOREWORD

Porter-Cable Model FN200 is a heavy duty pneumatic finish nailer. It is designed to install 16 ga. finish nails of various lengths (from 3/4" to 2" long), see ACCESSORIES Listing in back of this manual.

**CAUTION:** Use approved Porter-Cable finish nails only (see ACCESSORIES Listing in back of this manual).

### POWER SOURCE

This tool is designed to operate on clean, dry, compressed air at regulated pressures between 70 and 120 PSI (Pounds per Square Inch). The preferred system would include a filter, a pressure regulator, and an automatic oiler located as close to the tool as possible (within 15 feet is ideal).

All compressed air contains moisture and other contaminants that are detrimental to internal components of the tool. An air line filter will remove most of these contaminants and significantly prolong the life of the tool. If an in-line oiler is not available: place five or six drops of Porter-Cable Air Tool Oil (see ACCESSORIES), into the tool's air inlet at the beginning of each workday.

The tool is equipped with a male "quick connector". The tool must always be connected to the air supply with a coupling such that all pressure is removed from the tool when the coupling is disconnected.

**CAUTION:** All air line components (hoses, connectors, filters, regulators, etc.) must have a minimum working pressure rating of 150 PSI (10.3 BAR) or 150% of maximum system potential, whichever is higher.

Do not connect this tool to a system with maximum potential pressure greater than 200 PSI, (13 BAR).

Only connect tool to air supply with a coupling that will release all pressure from the tool when disconnected.

Disconnect tool from air supply before performing maintenance, clearing a jammed fastener, leaving work area, moving tool to another location, or handing the tool to another person.

## PREPARING THE TOOL

1. After reading and understanding this entire manual, connect tool to air supply.

**CAUTION:** Keep tool pointed away from yourself and others at all times.

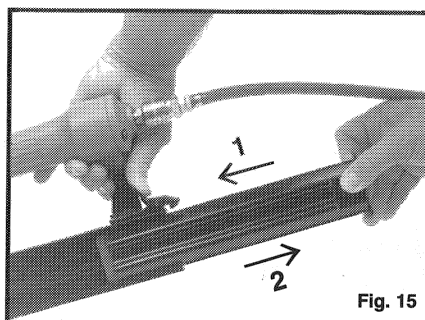
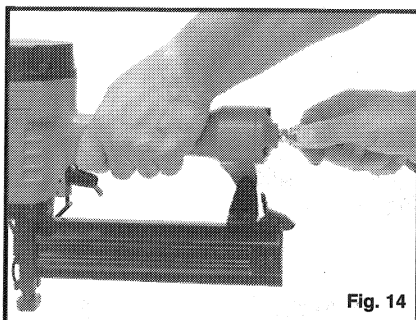
Always connect tool to air supply before loading fasteners.

Do not load fasteners with trigger or safety depressed.

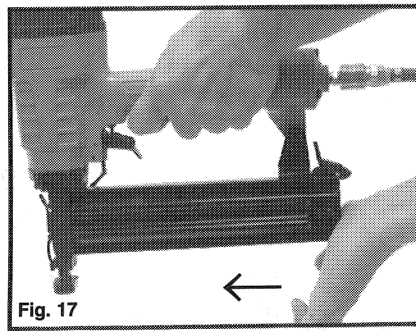
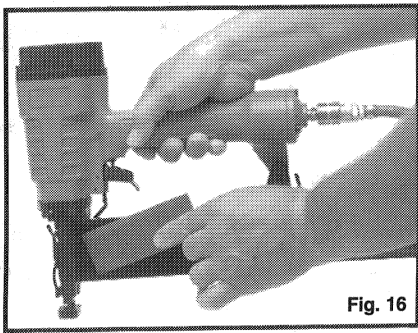
Only use approved Porter-Cable fasteners (see ACCESSORIES).

Always wear Z87 approved safety glasses, and hearing protection when preparing or operating the tool.

Never use a tool that leaks air or needs repair.



2. Depress latch and slide magazine cover open, see Fig. 15.
3. Insert a strip of approved fasteners, see Fig. 16. Orient fasteners with points down, and in contact with the bottom of the magazine.
4. Push magazine cover closed.



## USING THE TOOL

Complete all steps of PREPARING THE TOOL before using the tool.

This tool can be fired in two different ways:

1. Position nose of tool onto work surface, push forward on tool to depress safety, and squeeze trigger to fire a fastener. This "trigger fire" method provides the most accurate fastener placement.

OR

2. Depress and hold trigger while pushing nose of tool firmly against work surface. The tool will fire a fastener each time the safety is depressed. This "bottom fire" method allows very fast repetitive fastener placement.

Each time a fastener is fired, a blast of air will be exhausted forward from the top, front area of the tool. Keep your face away from this area.

**CAUTION:** Remove finger from trigger when not driving fasteners. Never carry tool with finger on trigger: tool will fire a fastener if safety is bumped.

Keep tool pointed in a safe direction at all times.

Never attempt to drive a fastener into material that is too hard, or at too steep an angle, or near the edge of the workpiece. The fastener can ricochet causing personal injury.

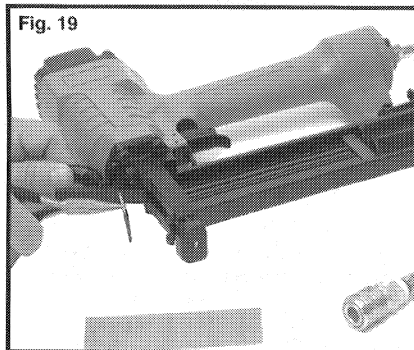
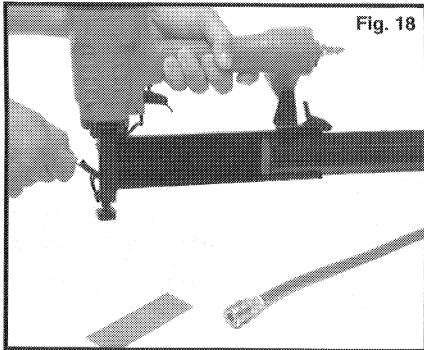
Disconnect tool from air supply before performing maintenance, clearing a jammed fastener, leaving work area, moving tool to another location, or handing the tool to another person.

Clean and inspect tool daily. Carefully check for proper operation of trigger and safety mechanism. **Do Not** use the tool unless both the trigger and the safety mechanism are functional, or if the tool is leaking air or needs any other repair.

The depth that a fastener is driven is controlled by the pressure of the air supply. The amount of pressure required will vary depending on the size of the fastener being used and the material being fastened. Experiment with the air pressure setting to determine the best pressure for the job at hand. Use only enough pressure to drive the fastener heads on top of the workpiece (not into the workpiece). Air pressure in excess of that required will cause premature wear and/or damage to the tool.

## CLEARING A JAMMED FASTENER

1. **CAUTION:** Disconnect tool from air supply.
2. Open magazine and remove any remaining fasteners.
3. Open the quick release latch and hinge the fastener guide plate open (see Fig. 18).
4. Remove the jammed fastener (see Fig. 19).
5. Close the fastener guide plate and secure with the quick release latch..



## MAINTENANCE

### CLEAN AND INSPECT DAILY

**CAUTION:** Disconnect tool from air supply before cleaning and inspection.

Correct all problems before placing the tool back in use.

Wipe tool clean and inspect for wear or damage. Use non-flammable cleaning solutions to wipe exterior of tool only if necessary. DO NOT SOAK tool with cleaning solutions. Such solutions can damage internal parts.

Inspect trigger and safety mechanism to assure system is complete and functional: no loose or missing parts, no binding or sticking parts.

Keep all screws tight. Loose screws can cause personal injury or damage tool.

If tool is used without an in-line oiler: place 5 or 6 drops of Porter-Cable Air Tool Oil into the air inlet of the tool at the beginning of each workday.

### SERVICE AND REPAIRS

All quality tools eventually require servicing or replacement of parts due to wear from normal use. Some user serviceable components are described in the TROUBLESHOOTING Section. Complete product Service is available from either an AUTHORIZED PORTER-CABLE SERVICE STATION or a PORTER-CABLE SERVICE CENTER. All repairs made by these agencies are fully guaranteed against defective material and workmanship. We cannot guarantee repairs made or attempted by anyone other than these agencies.

Should you have any questions about your tool, feel free to write us at any time. In any communications, please give all information shown on the nameplate of your tool (model number, type, serial number, etc.).

# TROUBLESHOOTING

**CAUTION:** Disconnect tool from air supply before performing any Service Procedure.

SYMPTOM	PROBLEMS	SOLUTIONS
1. Air leak near top of tool or in trigger area.	Loose screws. Worn or damaged <i>O-rings or seals.</i>	Tighten screws. Install "TOP" Maintenance Kit.
2. Tool does nothing or operates sluggishly.	Inadequate air supply. Inadequate lubrication. Worn or damaged o-rings or seals.	Verify adequate air supply. Put 5 or 6 drops of oil into air inlet. Install "TOP" Maintenance Kit.
3. Air leak near bottom of tool.	Loose screws. Worn or damaged o-rings or bumper.	Tighten screws. Install "BOTTOM" Maintenance Kit.
4. Tool jams frequently.	Incorrect fasteners.  Damaged fasteners. Magazine or nose screws loose. Magazine is dirty. Driver is worn or damaged.	Verify approved fasteners of correct size. Replace w/undamaged fasteners. Tighten screws.  Clean magazine. Install "DRIVER" Maintenance Kit.
5. Other.		Contact a Porter-Cable Service Facility.

## ACCESSORIES

The testing of this tool has been accomplished with the following accessories. For safest operation, it is recommended that only these accessories be used with this product.

**WARNING:** Since accessories other than those listed have not been tested with this product, use of such accessories could be hazardous.

CATALOG NO.	DESCRIPTION	LENGTH	GAUGE	QUAN/BOX
FN16075	16 Ga. Finish Nail, 3/4"	3/4"	16	2500
FN16100	16 Ga. Finish Nail, 1"	1"	16	2500
FN16100-1	1000 Pk. of BN16100		16	1000
FN16125	16 Ga. Finish Nail, 1 1/4"	1 1/4"	16	2500
FN16125-1	1000 Pk. of BN16125		16	1000
FN16150	16 Ga. Finish Nail, 1 1/2"	1 1/2"	16	2500
FN16150-1	1000 Pk. of BN16150		16	1000
FN16175	16 Ga. Finish Nail, 1 3/4"	1 3/4"	16	2500
FN16200	16 Ga. Finish Nail, 2"	2"	16	2500
FN16200-1	1000 Pk. of BN16200		16	1000
60002	"TOP" Maintenance Kit			
60006	"BOTTOM" Maintenance Kit			
60012	"DRIVER" Maintenance Kit			
884293	Oil (for Air Tools)			
883763	Safety Glasses			

## **PORTER-CABLE LIMITED ONE YEAR WARRANTY**

Porter-Cable warrants its nailing and stapling tools for a period of one year from the date of original purchase. We will repair or replace at our option, any part or parts of the product and accessories covered under this warranty which, after examination, proves to be defective in workmanship or material during the warranty period. For repair or replacement return the complete tool or accessory, transportation prepaid, to your nearest Porter-Cable Service Center or Authorized Service Station as listed under "TOOLS-ELECTRIC" in the Yellow Pages of your telephone directory. Proof of purchase may be required. This warranty does not apply to o-rings and driver blades or to repair or replacement required due to misuse, abuse, normal wear and tear or repairs attempted or made by other than our Service Centers or Authorized Service Stations.

ANY IMPLIED WARRANTY, INCLUDING THE IMPLIED WARRANTIES OF MERCHANTABILITY AND FITNESS FOR A PARTICULAR PURPOSE, WILL LAST ONLY FOR ONE (1) YEAR FROM THE DATE OF PURCHASE.

To obtain information on warranty performance please write to: PORTER-CABLE CORPORATION, 4825 Highway 45 North, P.O. Box 2468, Jackson, Tennessee 38302-2468; Attention: Product Service. THE FOREGOING OBLIGATION IS PORTER-CABLE'S SOLE LIABILITY UNDER THIS OR ANY IMPLIED WARRANTY AND UNDER NO CIRCUMSTANCES SHALL PORTER-CABLE BE LIABLE FOR ANY INCIDENTAL OR CONSEQUENTIAL DAMAGES. Some states do not allow limitations on how long an implied warranty lasts or the exclusion or limitation of incidental or consequential damages, so the above limitation or exclusion may not apply to you.

This warranty gives you specific legal rights and you may also have other legal rights which vary from state to state.

Manual de  
Instrucciones

# CLAVDORA PARA AGUJUELAS



MODELO FN200

### **IMPORTANTE**

*Asegúrese de que la persona que va a usar esta herramienta lea cuidadosamente y comprenda estas instrucciones antes de empezar a operarla.*

La placa de Modelo y de Número de Serie está localizada en la caja principal de la herramienta. Anote estos números en las líneas de abajo y guárdelos para su referencia en el futuro.

Número de modelo \_\_\_\_\_

Tipo \_\_\_\_\_

Número de serie \_\_\_\_\_

Número de parte 883794-699

**PORTER-CABLE**  
PROFESSIONAL POWER TOOLS

# NORMAS DE SEGURIDAD IMPORTANTES

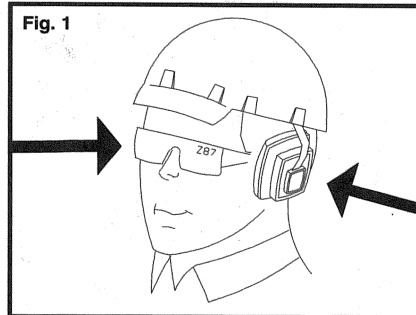
**ADVERTENCIA:** Cuando use herramientas neumáticas siempre debe seguir las precauciones básicas de seguridad para reducir el riesgo de herida personal, incluyendo lo siguiente:

**LEA Y SIGA TODAS LAS INSTRUCCIONES.**

Hay ciertas aplicaciones para las cuales esta herramienta fue diseñada. Porter-Cable recomienda enfáticamente que esta herramienta **NO SEA** modificada ni usada para trabajos para los cuales no fue diseñada. Si tiene alguna pregunta relativa a su aplicación, **NO USE** la herramienta hasta que nos haya escrito a Porter-Cable y le hayamos aconsejado.

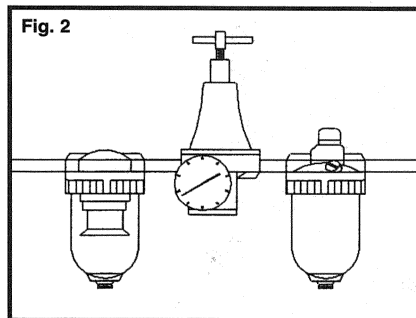
Technical Service Manager  
Porter-Cable Corporation  
4825 Highway 45 North  
P. O. Box 2468  
Jackson, TN 38302-2468

**1. USE ANTEOJOS DE SEGURIDAD.** Para prevenir las heridas de ojos, el operario de la herramienta y toda persona en el área de trabajo tiene que llevar los anteojos de seguridad que tengan protectores laterales permanentes y rígidos. Estos anteojos tienen que cumplir con los requisitos de ANSI Z87.1 (los anteojos aprobados tienen "Z87" estampado o imprimido en ellos).



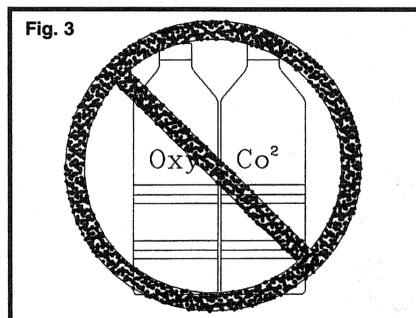
**2. USE PROTECCIÓN DE OÍDOS** para prevenir la sordera.

**3. USE EL AIRE LIMPIO Y SECO A PRESIÓN REGULADA** con una presión de 70 a 120 PSI (libras por pulgada cuadrada), (de 4.8 a 8.3 BAR)



**4. NO CONECTE LA HERRAMIENTA A** una presión que pueda pasar de 200 PSI (13.7 BAR).

**5. USE SÓLO UNA MANGUERA DE AIRE CON UNA CAPACIDAD MÁXIMA** de lo que sea más grande: una presión de trabajo de 150 PSI o 150% de la presión máxima del sistema.



**6. NUNCA EMPLEE OXÍGENO, DIÓXIDO DE CARBONO, GASES COMBUSTIBLES O** cualquier otro gas de botella como una fuente de potencia para esta herramienta; puede resultar en una explosión o en una herida personal grave.



**7. CONECTE LA HERRAMIENTA A LA MANGUERA NEUMÁTICA** con un acoplamiento que quite toda la presión neumática de la herramienta al desconectarlo.

**8. DESCONECTE LA HERRAMIENTA DE LA MANGUERA NEUMÁTICA** antes de hacer el mantenimiento de la herramienta, de librar un sujetador atorado, de salir del área de trabajo, de llevar la herramienta a otro lugar o de pasar la herramienta a otra persona.

**9. NUNCA USE UNA HERRAMIENTA** de la cual esté escapando aire, que le falte partes o que tenga partes dañadas o que necesite reparación. Asegúrese de que todos los tornillos y las tapaderas estén bien apretados.

**10. NUNCA USE LA HERRAMIENTA SI EL SEGURO,** el gatillo o los resortes no funcionan o si están dañados o si no están. No modifique ni quite el seguro, el gatillo ni los resortes. Revise diariamente el movimiento libre del gatillo y del mecanismo de seguro.

**11. NO USE LA HERRAMIENTA QUE NO TENGA EL MARBETE DE AVISOS DE SEGURIDAD.** Si el marbete (letrero) no está, o si está dañado o no se puede leer, pongase en contacto con su Centro de Servicio de Porter-Cable para el reemplazo.

**12. EMPLEE SÓLO LAS PARTES, LOS SUJETADORES Y LOS ACCESORIOS** recomendados por Porter-Cable.

**13. CONECTE LA HERRAMIENTA A LA MANGUERA NEUMÁTICA ANTES** de cargar los sujetadores para prevenir el disparo de un sujetador durante la conexión. El mecanismo de avance puede pasar por un ciclo al conectar la herramienta al aprovisionamiento de aire.

Fig. 4

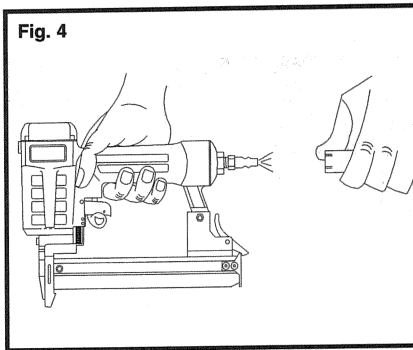


Fig. 5

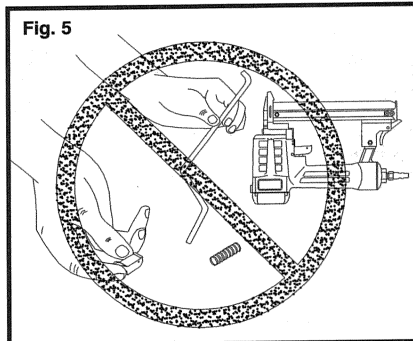


Fig. 6

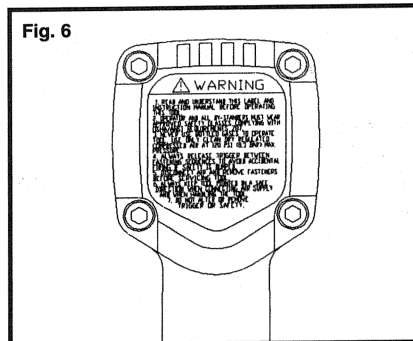
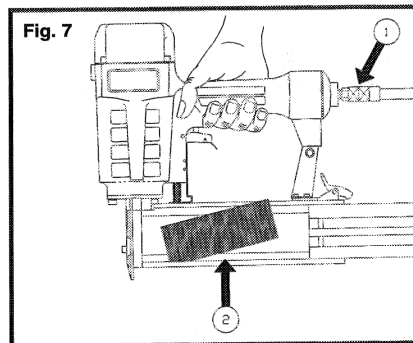
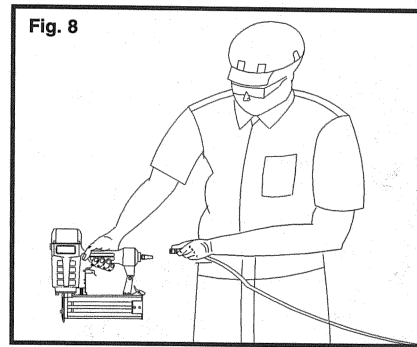


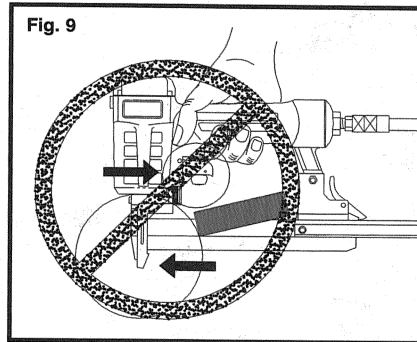
Fig. 7



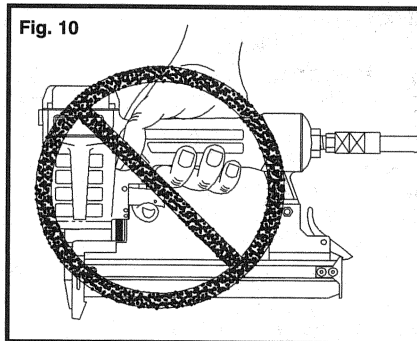
**14. SIEMPRE ASUMA QUE LA HERRAMIENTA CONTIENE SUJETADORES.** Mantenga la herramienta apuntada en el sentido opuesto a usted o a otra persona. No haga payasadas. Trate la herramienta como un instrumento de trabajo.



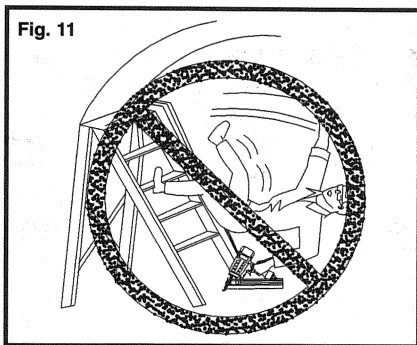
**15. NO CARGUE LOS SUJETADORES** con el gatillo ni el seguro apretado, para prevenir un disparo no intencionado de un sujetador.



**16. QUITE EL DEDO DEL GATILLO** cuando no esté metiendo sujetadores. Nunca lleve la herramienta con el dedo sobre el gatillo; la herramienta disparará un sujetador si el seguro se golpea mientras el gatillo está apretado.



**17. NO SOBREALCANCE.** Siempre mantenga buen equilibrio cuando use o maneje la herramienta.

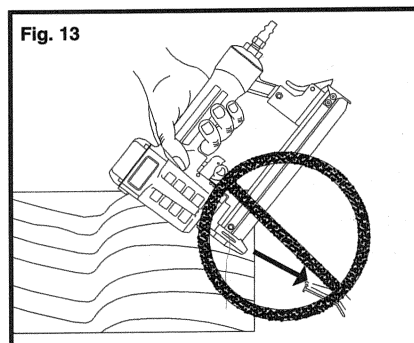
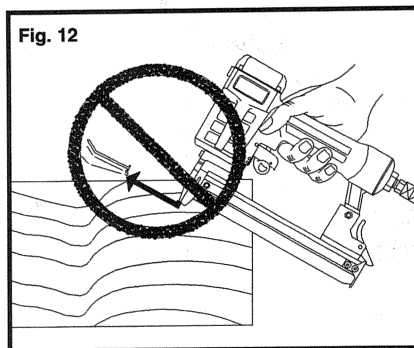


**18. DISPARE LOS SUJETADORES SOLAMENTE EN LA SUPERFICIE DEL TRABAJO:** y nunca en materiales demasiado duros de penetrar.

**19. AGARRE BIEN LA HERRAMIENTA** para minimizar el retroceso (contrachoque). El retroceso puede causar que dispare sin querer otro sujetador.

**20. NO INTENTE CLAVAR LOS SUJETADORES** arriba de otros o con un ángulo demasiado inclinado; los sujetadores pueden rebotar y causar una herida personal.

**21. NO META LOS SUJETADORES MUY CERCA** del canto del trabajo. Es posible que la pieza en elaboración se parta y que el sujetador se salga o rebote causando una herida personal.



## LAS RESPONSABILIDADES DEL EMPLEADOR

El empleador tiene que imponer la obediencia de las advertencias de seguridad y de todas las instrucciones de este manual.

Mantenga este manual a la mano de toda la gente que vaya a usar esta herramienta.

Para la seguridad personal y la operación apropiada de esta herramienta, lea y siga todas las instrucciones con cuidado.

## INSTRUCCIONES DE MANEJO

### PRÓLOGO

El Modelo FN200 de Porter-Cable es una clavadora neumática de servicio pesado. Fue diseñada para instalar agujuelas de calibre 16 de varios largos (desde 3/4" hasta 2" de largo), vea la lista de ACCESORIOS en la parte trasera de este manual.

**PRECAUCIÓN:** Use sólo agujuelas aprobadas por Porter-Cable (vea la lista de ACCESORIOS en la parte trasera de este manual).

### LA FUENTE DE POTENCIA

Esta herramienta fue diseñada para operar con aire limpio y seco a presión regulada entre 70 y 120 PSI (libras por pulgada cuadrada). El sistema preferido incluye un filtro, un regulador de presión y una aceitera automática tan cerca a la herramienta como sea posible (menos de 15 pies sería ideal).

Todo aire comprimido contiene humedad y otros contaminantes que causan detrimentos a los componentes internos de la herramienta. Un filtro de línea de aire sacará la mayoría de estos contaminantes y prolongará de manera significativa la vida de la herramienta. Si una aceitera de línea no está disponible, meta cinco o seis gotas de Aceite para Herramienta de Aire de Porter-Cable (vea ACCESORIOS), en la admisión de aire al principio de cada día de trabajo.

La herramienta viene con un "acoplamiento rápido" macho. La herramienta siempre tiene que estar conectada al aprovisionamiento de aire con un acoplamiento de tal manera que cuando se desconecte el acoplamiento, la presión escape.

**PRECAUCIÓN:** Todos los componentes de la línea de aire (mangueras, conectores, filtros, reguladores, etcétera) tienen que tener, lo que sea más grande, una presión normal mínima de trabajo de 150 PSI (10.3 BAR) o 150% de la potencia máxima del sistema.

No conecte esta herramienta a un sistema que tenga una potencia máxima de más de 200 PSI, (13 BAR).

Sólo conecte la herramienta a un aprovisionamiento de aire que tenga un acoplamiento que descargue toda la presión de la herramienta al desconectarla.

Desconecte la herramienta del aprovisionamiento de aire antes de hacerle mantenimiento, de librar un sujetador atorado, de salir del área de trabajo, de llevar la herramienta a otro lugar o de pasar la herramienta a otra persona.

## PARA PREPARAR LA HERRAMIENTA

1. Después de leer y entender todo este manual, conecte la herramienta al aprovisionamiento de aire.

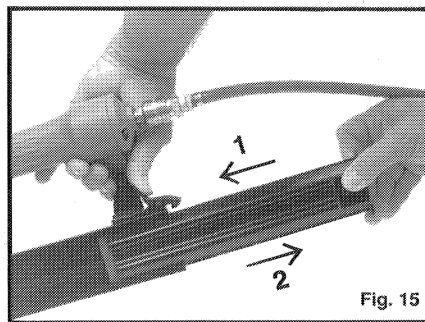
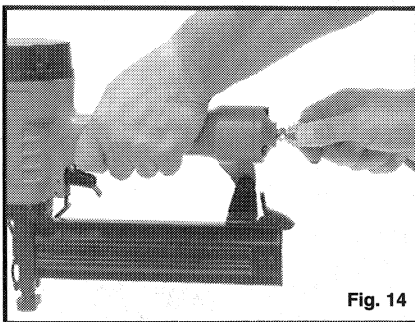
**PRECAUCIÓN:** Mantenga la herramienta apuntada en el sentido opuesto a usted o a otra persona.

Conecte la herramienta a la manguera neumática antes de cargarla con sujetadores.

No cargue los sujetadores con el gatillo ni el seguro apretado.

Emplee sólo las partes, los sujetadores y los accesorios aprobados por Porter-Cable.

Siempre use anteojos, Z87, de seguridad aprobados y protección para los oídos al preparar o operar la herramienta.



**PRECAUCIÓN:** Nunca use una herramienta de la cual esté escapando aire o que necesite reparaciones.

2. Apriete el pestillo y deslice la tapa de la recámara (magacín) hasta la posición abierta, vea la Fig. 15.
3. Meta la tira de sujetadores aprobados, vea la Fig. 16. Ponga los sujetadores con las puntas hacia abajo y en contacto con el fondo de la recámara.
4. Cierre la tapa de la recámara.

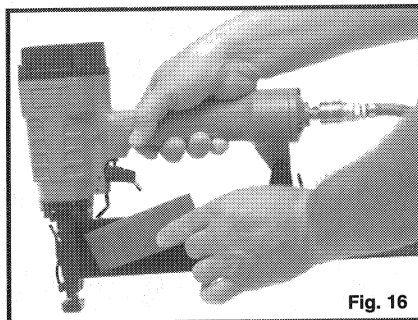


Fig. 16

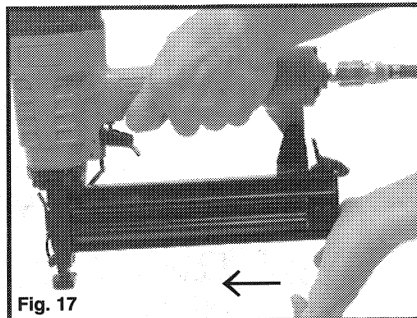


Fig. 17

## PARA USAR LA HERRAMIENTA

Complete todos los pasos de PARA PREPARAR LA HERRAMIENTA antes de usar la herramienta.

Hay dos métodos de disparar esta herramienta:

1. Ponga la punta de la herramienta en la superficie del trabajo, empuje la herramienta hacia adelante para apretar el seguro, y apriete el gatillo para disparar un sujetador. Este método de “disparo de gatillo” da la localización más exacta del sujetador.

○

2. Apriete el gatillo y manténgalo apretado mientras empuja firmemente la punta de la herramienta contra la superficie del trabajo. La herramienta disparará un sujetador cada vez que empuje el seguro. Este método de “disparo de abajo” permite clavar una serie de sujetadores repetida y rápidamente.

Cada vez que se dispare un sujetador, un chorro de aire saldrá hacia adelante del área superior y delantera de la herramienta. Mantenga la cara fuera de este área.

**PRECAUCIÓN:** Quite el dedo del gatillo cuando no esté clavando sujetadores. Nunca lleve la herramienta con el dedo sobre el gatillo; disparará un sujetador si el seguro se golpea.

Mantenga la herramienta apuntada en un sentido seguro todo el tiempo.

Nunca intente meter un sujetador en un material que sea demasiado duro, o a un ángulo demasiado inclinado o muy cerca del canto de la pieza en elaboración. El sujetador puede rebotar y causar una herida personal.

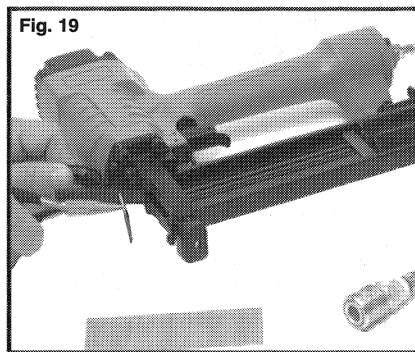
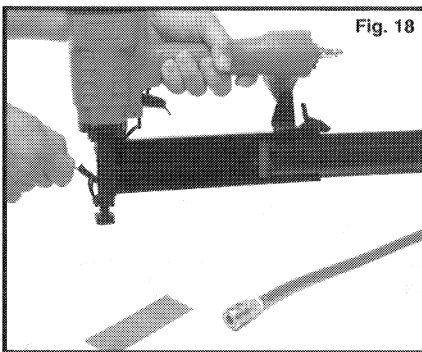
Desconecte la herramienta del aprovisionamiento de aire antes de hacerle mantenimiento, de librar un sujetador atorado, de salir del área de trabajo, de llevar la herramienta a otro lugar o de pasar la herramienta a otra persona.

**PRECAUCIÓN:** Limpie y revise la herramienta diariamente. Verifique con cuidado la operación apropiada del gatillo y del mecanismo del seguro. **NO USE** la herramienta a no ser que el gatillo y el seguro funcionen bien o si la herramienta está expulsando aire o si existe cualquier necesidad de repararla.

La profundidad a que se mete un sujetador se controla por medio de la presión del aprovisionamiento de aire. La cantidad de presión requerida variará según el tamaño del sujetador que esté usando y según el material en elaboración. Experimente con el mando de presión de aire para determinar cual es la mejor presión para el trabajo que hace. Use sólo suficiente presión para meter los sujetadores hasta el punto en que las cabezas estén planas con la superficie del material (no abajo de la superficie). El uso de una presión de aire en exceso de la requerida desgastará y/o dañará la herramienta.

## PARA DESATORAR UN SUJETADOR

1. **PRECAUCIÓN:** Desconecte la herramienta del aprovisionamiento de aire.
2. Abra la recámara (magacín) y saque los sujetadores que queden.
3. Abra el pestillo de “desenganche rápido” y gire la placa de guía de los sujetadores hasta la posición abierta (vea la Fig. 18).
4. Saque el sujetador atorado (vea la Fig. 19).
5. Cierre la placa de guía de los sujetadores en la herramienta y asegúrela con el pestillo de desenganche rápido.



## MANTENIMIENTO

### LIMPIE Y REVISE DIARIAMENTE

**PRECAUCIÓN:** Desconecte la herramienta del aprovisionamiento de aire antes de limpiarla o inspeccionarla. Corrija todos los problemas antes de usar la herramienta.

Limpie la herramienta y haga una inspección de desgaste y de daño. Use una solución no inflamable para limpiar el exterior de la herramienta sólo si es necesario. **NO EMPAPE** la herramienta con la solución de limpieza. Estas soluciones pueden dañar las partes internas.

Revise el gatillo y el mecanismo del seguro para asegurar que el sistema esté completo y que funcione bien: no partes flojas o que no estén, no partes que se atoren ni se peguen.

Mantenga todos los tornillos apretados. Tornillos flojos pueden causar herida personal o dañar la herramienta.

Si la herramienta se usa sin aceitera de línea; meta 5 o 6 gotas del Aceite para Herramientas de Aire de Porter-Cable en la admisión de aire al principio de cada día de trabajo.

## SERVICIO Y REPARACIONES

Toda herramienta de calidad eventualmente necesitará servicio o reemplazo de partes gastadas debido al uso normal. Algunos de los componentes que usuario puede componer están descritos en la sección de IDENTIFICACIÓN DE FALLAS. Un servicio completo del producto puede obtenerse en una ESTACIÓN DE SERVICIO AUTORIZADO POR PORTER-CABLE o en un CENTRO DE SERVICIO DE PORTER-CABLE. Toda reparación hecha por estas agencias está completamente garantizada contra material y hechura defectuosa. No podemos garantizar reparaciones hechas o intentadas por ninguna otra agencia.

Si usted tiene alguna pregunta acerca de su herramienta, haga el favor de escribirnos cuando quiera. En cualquier comunicación, por favor escriba toda la información dada en la placa de su herramienta (número de modelo, tipo, número de serie, etc.).

## LA IDENTIFICACIÓN DE FALLAS

**PRECAUCIÓN:** Desconecte la herramienta del aprovisionamiento de aire antes de hacerle cualquier Procedimiento de Servicio.

SÍNTOMA	PROBLEMA	SOLUCIÓN
1. El aire sale por la parte superior de la herramienta o por el área del gatillo.	Tornillos flojos. Sellos o empaque de anillo gastados o dañados.	Apriete los tornillos. Instale el Juego de Mantenimiento para la Parte Superior.
2. La herramienta no hace nada o funciona lentamente.	Aprovisionamiento de aire insuficiente. Lubricación insuficiente.  Sellos o empaque de anillo gastados o dañados.	Verifique el aprovisionamiento de aire. Meta 5 o 6 gotas de aceite en la admisión de aire. Instale el Juego de Mantenimiento para la Parte Superior.
3. El aire sale cerca de la parte inferior de la herramienta.	Tornillos flojos. Tope o empaque de anillo gastado o dañado.	Apriete los tornillos. Instale el Juego de Mantenimiento para la Parte Inferior.
4. La herramienta se atora con frecuencia.	Sujetadores incorrectos.  Sujetadores dañados.  Los tornillos de la punta o de la recámara flojos. La recámara está sucia. El impulsor está desgastado o dañado.	Verifique que los sujetadores aprobados son del tamaño correcto. Reemplácelos con sujetadores no dañados. Apriete los tornillos.  Limpie la recámara (magacín). Instale el Juego de Mantenimiento para el Impulsor.
5. Otra cosa		Póngase en comunicación con una Instalación de Servicio de Porter-Cable.

## ACCESORIOS

Esta herramienta ha sido probada con los siguientes accesorios. Para la más segura operación, se recomienda que solamente estos accesorios sean usados con este producto.

**ADVERTENCIA:** Como ningún otro accesorio, fuera de los indicados, se ha probado con este producto, el uso de tal accesorio puede ser peligroso.

No. de CATÁLOGO	DESCRIPCIÓN	LARGO	CALIBRE	CANT/CAJA
FN16075	Agujuela de Cal. 16, ¾"	¾"	16	2500
FN16100	Agujuela de Cal. 16 1"	1"	16	2500
FN16100-1	FN16100 en caja de 1000		16	1000
FN16125	Agujuela de Cal 16, 1¼"	1¼"	16	2500
FN16125-1	FN16125 en Caja de 1000		16	1000
FN16150	Agujuela de Cal. 16, 1½"	1½"	16	2500
FN16150-1	FN16150 en Caja de 1000		16	1000
FN16175	Agujuela de Cal. 16 1¾"	1¾"	16	2500
FN16200	Agujuela de Cal. 16, 2"	2"	16	2500
FN16200-1	FN16200 en Caja de 1000		16	1000
60002	Juego de Mantenimiento para la Parte Superior			
60006	Juego de Mantenimiento para la Parte Inferior			
60012	Juego de Mantenimiento para el Impulsor			
884293	Aceite (para Herramienta de Aire)			
883763	Anteojos de Seguridad			







## PÓLIZA DE GARANTÍA DE 1 AÑO DE PORTER-CABLE

La Compañía de Porter-Cable garantiza sus herramientas de clavar y de grapar apartir de 1 año de la fecha de compra. Porter-Cable reparará o reemplazará – según nuestra opción – cualquier parte o partes de la herramienta o de los accesorios protegidos bajo esta garantía que, después de examinarlas, demuestren cualquier defecto en los materiales o mano de obra durante el periodo de la garantía. Para reparación o reemplazo, devuelva la herramienta o accesorio completo, cubriendo el precio de transporte, al Centro de Servicio de Porter-Cable o a la Estación de Servicio Autorizado más cercana, según la lista de su directorio telefónico bajo "TOOLS ELECTRIC" (HERRAMIENTAS ELÉCTRICAS). Puede ser que requiera prueba de compra. Esta garantía no incluye los empaques de anillo ni las paletas de impulsor y no es válida en caso de mal uso, abuso o desgaste normal de la herramienta así como reparaciones efectuadas o atentadas por otros medios que no sean de los Centros de Servicio de Porter-Cable o las Estaciones de Servicio Autorizado por Porter-Cable.

CUALQUIER GARANTÍA IMPLICADA, INCLUSO LAS GARANTÍAS DE MERCADERÍA Y APTITUD PARA PROPÓSITOS ESPECIALES O PARTICULARES, DURARÁN POR SÓLO UN (1) AÑO A PARTIR DE LA FECHA DE COMPRA.

Para obtener información de la garantía de desempeño haga el favor de escribir a Porter-Cable Corporation 4825 Highway 45 North, P. O. Box 2468, Jackson, Tennessee 38302-2468; Attention: Product Service. LA OBLIGACIÓN ANTERIORMENTE MENCIONADA ES AL ÚNICA RESPONSABILIDAD DE PORTER-CABLE BAJO ESTA O CUALQUIER GARANTÍA IMPLICADA. PORTER-CABLE DE NINGUNA MANERA SERÁ RESPONSABLE POR NINGÚN DAÑO INCIDENTAL O CONSECUENTE.

Algunos estados no permiten limitaciones de tiempo de garantías implicadas ni la exclusión o la limitación de daños incidentales o consecuentes, así es que hay una posibilidad que la limitación o la exclusión no le aplique a usted.

La garantía le da a usted unos derechos especificados y legales. Puede ser que usted tenga también otros derechos legales los cuales varían de un estado a otro.

PRODUCTO \_\_\_\_\_

MODELO \_\_\_\_\_ No.DE SERIE \_\_\_\_\_

DISTRIBUIDOR \_\_\_\_\_

TELÉFONO \_\_\_\_\_

FECHA DE ENTREGA \_\_\_\_\_ / \_\_\_\_\_ /19 \_\_\_\_\_

FIRMA/SELLO \_\_\_\_\_

# PORTER-CABLE SERVICE CENTERS (CENTROS DE SERVICIO DE PORTER-CABLE)

Parts and Repair Service for Porter-Cable Power Tools are Available at These Locations  
(Obtenga Refaccion de Partes o Servicio para su Herramienta en los Siguietes Centros de Porter-Cable)

## CALIFORNIA

City of Industry 91745 (Los Angeles)  
1305 John Reed Court  
Phone: (818) 333-3566  
Fax: (818) 330-5900

San Leandro 94577 (Oakland)  
3039 Teagarden Street  
Phone: (510) 357-9762  
Fax: (510) 357-7939

## COLORADO

Denver 80204  
2561 West 8th Avenue  
Phone: (303) 892-6113  
Fax: (303) 595-0358

## FLORIDA

Hialeah 33014 (Miami)  
16373-75 NW 57th Ave.  
Phone: (305) 624-2523  
Fax: (305) 628-2654

Tampa 33609  
4538 W. Kennedy Boulevard  
Phone: (813) 877-9585  
Fax: (813) 289-7948

## GEORGIA

Morrow 30260 (Atlanta)  
1286 Citizens Parkway  
Suite C  
Phone: (770) 961-0900  
Fax: (770) 961-8624

## ILLINOIS

Addison 60101 (Chicago)  
311 Laura Drive  
Phone: (630) 628-6100  
Fax: (630) 628-0023

## MARYLAND

Baltimore 21227  
7397 Washington Blvd.  
Suite #102  
Phone: (410) 799-9394  
Fax: (410) 799-9398

## MASSACHUSETTS

Franklin 02038 (Boston)  
Franklin Industrial Park  
101E Constitution Blvd.  
Phone: (508) 520-8802  
Fax: (508) 528-8089

## MICHIGAN

Troy 48083 (Detroit)  
1355 Combermere  
Phone: (810) 597-5000  
Fax: (810) 597-5004

## MINNESOTA

Minneapolis 55429  
4315 68th Avenue North  
Phone: (612) 561-9080  
Fax: (612) 561-0653

## MISSOURI

North Kansas City 64116  
1141 Swift Avenue  
P.O. Box 12393  
Phone: (816) 221-2070  
Fax: (816) 221-2897

St. Louis 63119  
7574 Watson Road  
Phone: (314) 968-8950  
Fax: (314) 968-2790

## NEW YORK

Flushing 11365-1595 (N.Y.C.)  
175-25 Horace Harding Expwy.  
Phone: (718) 225-2040  
Fax: (718) 423-9619

## NORTH CAROLINA

Charlotte 28209  
4303-B South Boulevard  
Phone: (704) 525-4410  
Fax: (704) 525-0618

## OHIO

Columbus 43214  
4560 Indianola Avenue  
Phone: (614) 263-0929  
Fax: (614) 263-1238

Cleveland 44125  
8001 Sweet Valley Dr.  
Unit #19  
Phone: (216) 447-9030  
Fax: (216) 447-3097

## PENNSYLVANIA

Philadelphia 19154  
12285 McNulty Road  
Phone: (215) 677-7800  
Fax: (215) 677-9908

## TEXAS

Dallas 75220  
10720 N. Stemmons Freeway  
Phone: (214) 353-2996  
Fax: (214) 350-3943

Houston 77055

West 10 Business Center  
1008 Wirt Road, Suite 120  
Phone: (713) 682-0334  
Fax: (713) 682-4867

## WASHINGTON

Renton 98055 (Seattle)  
268 Southwest 43rd Street  
Phone: (206) 251-6680  
Fax: (206) 251-9337

## DELTA SERVICE CENTERS

### ALBERTA

#10 6320 11th Street S.E.  
Calgary, Alberta  
T2H 2L7  
Phone: (403) 255-3530  
Fax: (403) 258-0767

### BRITISH COLUMBIA

8520 Baxter Place  
Burnaby, B.C.  
V5A 4T8  
Phone: (604) 420-0102  
Fax: (604) 420-3522

### MANITOBA

1699 Dublin Avenue  
Winnipeg, Manitoba  
R3H 0H2  
Phone: (204) 633-9259  
Fax: (204) 632-1976

### ONTARIO

644 Imperial Road  
Guelph, Ontario  
N1H 6M7  
Phone: (519) 836-2840  
Fax: (519) 836-9352

40 West Pearce St.  
Unit #2  
Richmond Hill, Ontario  
L4B 1E3  
Phone: (416) 771-6111  
Fax: (416) 771-6831

### QUÉBEC

523 Rue Deslauriers  
St. Laurent, (Montréal) P.Q.  
H4N 1W2  
Phone: (514) 336-8772  
Fax: (514) 336-3505

Suite 202  
2022 Rue Lavoisier  
Ste. Foy, Québec, Québec  
G1N 4L5  
Phone: (418) 681-7305  
Fax: (418) 681-1695

Authorized Service Stations are located in all large cities. For the one nearest you, see the classified section in your phone book (under "Tools-Electric"). (Hay Estaciones de Servicio Autorizado en todas las ciudades grandes. Vea la lista en su directorio telefónico bajo "Tools-Electric" (Herramientas Electricas).)

The following are trademarks of PORTER-CABLE Corporation (Las siguientes son marcas registradas de PORTER-CABLE S.A.): PORTER-CABLE®, LASERLOC®, OMNIJIG®, POCKET CUTTER®, PORTA-BAND®, PORTA-PLANE®, QUICKSAND®, VERSA-PLANE®, SAW BOSS®, SPEED-BLOC®, SPEEDMATIC®, SPEEDTRONIC®, STAIR-EASE®, THE PROFESSIONAL EDGE®, TIGER CUB®, TIGER SAW®, DURATRONIC™, FRAME SAW™, MICRO-SET™, MORTEN™, QUIK-CHANGE™, SANDTRAP™, TORQ-BUSTER™, TRU-MATCH™, WOODWORKER'S CHOICE™.

Trademarks noted with ® are registered in the United States Patent and Trademark Office and may also be registered in other countries. Las Marcas Registradas con el signo de ® son registradas por la Oficina de Registros y Patentes de los Estados Unidos y también pueden estar registradas en otros países.

Printed in U.S.A.

Copyright © 1996 PORTER-CABLE Corporation

## Free Manuals Download Website

<http://myh66.com>

<http://usermanuals.us>

<http://www.somanuals.com>

<http://www.4manuals.cc>

<http://www.manual-lib.com>

<http://www.404manual.com>

<http://www.luxmanual.com>

<http://aubethermostatmanual.com>

Golf course search by state

<http://golfingnear.com>

Email search by domain

<http://emailbydomain.com>

Auto manuals search

<http://auto.somanuals.com>

TV manuals search

<http://tv.somanuals.com>