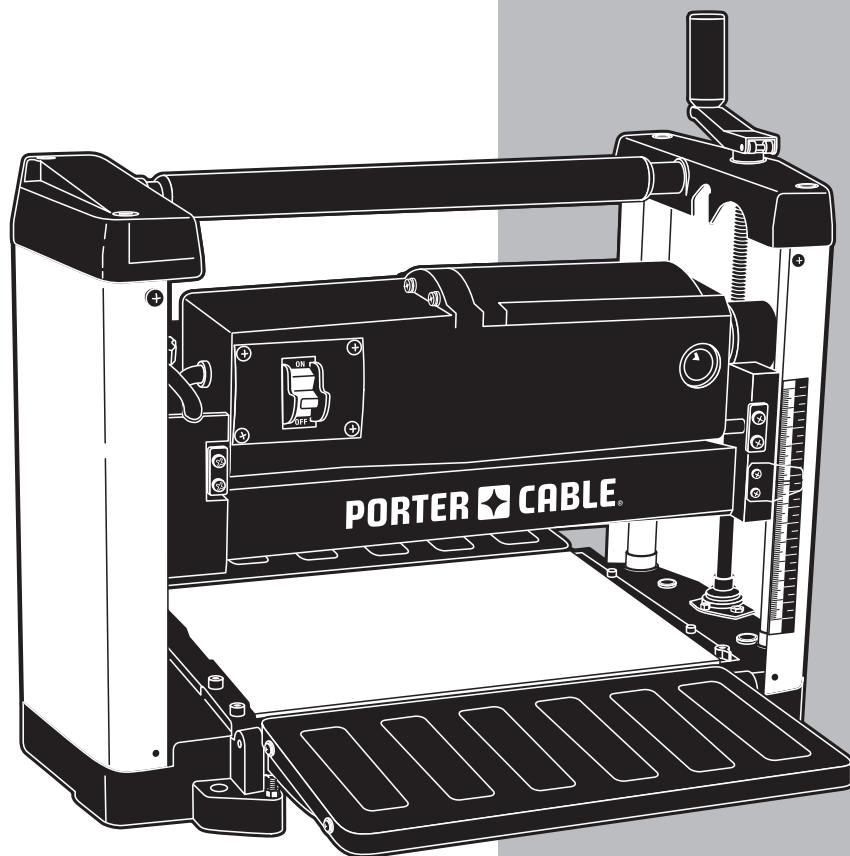


PORTER CABLE®

**12-1/2 inch (317 mm)
Portable Planer**

**Raboteuse portative
de 317 mm (12-1/2 po)**

**Cepillo Portátil de 317
mm (12-1/2 pulg.)**



Instruction manual
Manuel d'instructions
Manual de instrucciones

www.portercable.com

INSTRUCTIVO DE OPERACIÓN, CENTROS DE
SERVICIO Y PÓLIZA DE GARANTÍA.

⚠ ADVERTENCIA: LÉASE ESTE INSTRUCTIVO
ANTES DE USAR EL PRODUCTO.

**CATALOG NUMBER
PC305TP**

IMPORTANT SAFETY INSTRUCTIONS

⚠ WARNING Read and understand all warnings and operating instructions before using any tool or equipment. When using tools or equipment, basic safety precautions should always be followed to reduce the risk of personal injury. Improper operation, maintenance or modification of tools or equipment could result in serious injury and property damage. There are certain applications for which tools and equipment are designed. PORTER-CABLE strongly recommends that this product NOT be modified and/or used for any application other than for which it was designed.



SAFETY GUIDELINES - DEFINITIONS

It is important for you to read and understand this manual. The information it contains relates to protecting YOUR SAFETY and PREVENTING PROBLEMS. The symbols below are used to help you recognize this information.

⚠ DANGER: indicates an imminently hazardous situation which, if not avoided, **will** result in **death or serious injury**.

⚠ WARNING: indicates a potentially hazardous situation which, if not avoided, **could** result in **death or serious injury**.

⚠ CAUTION: indicates a potentially hazardous situation which, if not avoided, **may** result in **minor or moderate injury**.

NOTICE: indicates a practice **not related to personal injury** which, if not avoided, **may** result in **property damage**.

GENERAL SAFETY RULES

⚠ WARNING Failure to follow these rules may result in serious personal injury.

- 1. For your own safety, read the instruction manual before operating the machine.** Learning the machine's application, limitations, and specific hazards will greatly minimize the possibility of accidents and injury.
- 2. Wear eye and hearing protection and always use safety glasses.** Everyday eyeglasses are not safety glasses. Use certified safety equipment. Eye protection equipment should comply with ANSI Z87.1 standards. Hearing equipment should comply with ANSI S3.19 standards.
- 3. Wear proper apparel.** Do not wear loose clothing, gloves, neckties, rings, bracelets, or other jewelry which may get caught in moving parts. Nonslip protective footwear is recommended. Wear protective hair covering to contain long hair.
- 4. Do not use the machine in a dangerous environment.** The use of power tools in damp or wet locations or in rain can cause shock or electrocution. Keep your work area well-lit to prevent tripping or placing arms, hands, and fingers in danger.
- 5. Do not operate electric tools near flammable liquids or in gaseous or explosive atmospheres.** Motors and switches in these tools may spark and ignite fumes.
- 6. Maintain all tools and machines in peak condition.** Keep tools sharp and clean for best and safest performance. Follow instructions for lubricating and changing accessories. Poorly maintained tools and machines can further damage the tool or machine and/or cause injury.
- 7. Check for damaged parts.** Before using the machine, check for any damaged parts. Check for alignment of moving parts, binding of moving parts, breakage of parts, and any other conditions that may affect its operation. A guard or any other part that is damaged should be properly repaired or replaced with PORTER-CABLE or factory authorized replacement parts. Damaged parts can cause further damage to the machine and/or injury.
- 8. Keep the work area clean.** Cluttered areas and benches invite accidents.
- 9. Keep children and visitors away.** Your shop is a potentially dangerous environment. Children and visitors can be injured.
- 10. Reduce the risk of unintentional starting.** Make sure that the switch is in the "OFF" position before plugging in the power cord. In the event of a power failure, move the switch to the "OFF" position. An accidental start-up can cause injury. Do not touch the plug's metal prongs when unplugging or plugging in the cord.
- 11. Use the guards.** Check to see that all safety devices are in place, secured, and working correctly to prevent injury.
- 12. Remove adjusting keys and wrenches before starting the machine.** Tools, scrap pieces, and other debris can be thrown at high speed, causing injury.
- 13. Use the right machine.** Don't force a machine or an attachment to do a job for which it was not designed. Damage to the machine and/or injury may result.
- 14. Use recommended accessories.** The use of accessories and attachments not recommended by PORTER-CABLE may cause damage to the machine or injury to the user.
- 15. Use the proper extension cord.** Make sure your extension cord is in good condition. When using an extension cord, be sure to use one heavy enough to carry the current your product will draw. An undersized cord will cause a drop in line voltage, resulting in loss of power and overheating. See the **Extension Cord Chart** for the correct size depending on the cord length and nameplate ampere rating. If in doubt, use the next heavier gauge. The smaller the gauge number, the heavier the cord.
- 16. Secure the workpiece.** Use clamps or a vise to hold the workpiece when practical. Loss of control of a workpiece can cause injury.
- 17. Feed the workpiece against the direction of the rotation of the blade, cutter, or abrasive surface.** Feeding it from the other direction will cause the workpiece to be thrown out at high speed.
- 18. Don't force the workpiece on the machine.** Damage to the machine and/or injury may result.
- 19. Don't overreach.** Loss of balance can make you fall into a working machine, causing injury.

20. **Never stand on the machine.** Injury could occur if the tool tips, or if you accidentally contact the cutting tool.
21. **Never leave the machine running unattended.** Turn the power off. Don't leave the machine until it comes to a complete stop. A child or visitor could be injured.
22. **Turn the machine "OFF", and disconnect the machine from the power source before installing or removing accessories, changing cutters, adjusting or changing set-ups.** When making repairs, be sure to lock the start switch in the "OFF" position. An accidental start-up can cause injury.
23. **Make your workshop childproof with padlocks, master switches, or by removing starter keys.** The accidental start-up of a machine by a child or visitor could cause injury.
24. **Stay alert, watch what you are doing, and use common sense.** Do not use the machine when you are tired or

under the influence of drugs, alcohol, or medication. A moment of inattention while operating power tools may result in injury.

25. **⚠️ WARNING:** Use of this tool can generate and disperse dust or other airborne particles, including wood dust, crystalline silica dust and asbestos dust. Direct particles away from face and body. Always operate tool in well ventilated area and provide for proper dust removal. Use dust collection system wherever possible. Exposure to the dust may cause serious and permanent respiratory or other injury, including silicosis (a serious lung disease), cancer, and death. Avoid breathing the dust, and avoid prolonged contact with dust. Allowing dust to get into your mouth or eyes, or lay on your skin may promote absorption of harmful material. Always use properly fitting NIOSH/OSHA approved respiratory protection appropriate for the dust exposure, and wash exposed areas with soap and water.

ADDITIONAL SPECIFIC SAFETY RULES

⚠️ WARNING Failure to follow these rules may result in serious personal injury.

1. **Do not operate this machine** until it is completely assembled and installed according to the instructions. A machine incorrectly assembled can cause serious injury.
2. **Obtain advice** from your supervisor, instructor, or another qualified person if you are not thoroughly familiar with the operation of this machine. Knowledge is safety.
3. **Follow all wiring codes** and recommended electrical connections to prevent shock or electrocution.
4. **Keep knives sharp** and free from rust and pitch. Dull or rusted knives work harder and can cause kickback.
5. **Never turn the machine "ON"** before clearing the table of all objects (tools, scraps of wood, etc.). Flying debris can cause serious injury.
6. **Never turn the machine "ON"** with the work-piece contacting the cutterhead. Kickback can occur.
7. **Secure the machine to a supporting surface** to prevent the machine from sliding, walking or tipping over.
8. **Properly secure the knives in the cutterhead** before turning the power "ON". Loose blades may be thrown out at high speeds causing serious injury.
9. **Lock the speed setting securely** before feeding the workpiece through the machine. Changing speeds while planing can cause kick-back.
10. **Avoid awkward operations and hand positions.** A sudden slip could cause a hand to move into the knives.
11. **Keep arms, hands, and fingers** away from the cutterhead, the chip exhaust opening, and the feed rollers to prevent severe cuts.
12. **Never reach into the cutterhead area** while the machine is running. Your hands can be drawn into the knives.
13. **Do not stand in line with the workpiece.** Kickback can cause injury.
14. **Allow the cutterhead to reach full speed** before feeding a workpiece. Changing speeds while planing can cause kickback.
15. **When planing bowed stock,** place the concave (cup down) side of the stock on the table and cut with the grain to prevent kickback.
16. **Do not feed a workpiece** that is warped, contains knots, or is embedded with foreign objects (nails, staples, etc.). Kickback can occur.
17. **Do not feed a short, thin, or narrow workpiece into the machine.** Your hands can be drawn into the knives and/or the workpiece can be thrown at high speeds. See the *Operation* section of this instruction manual for details.
18. **Do not feed a workpiece** into the outfeed end of the machine. The workpiece will be thrown out of the opposite side at high speeds.
19. **Remove shavings only** with the power "OFF" and the cutterhead stopped to prevent serious injury.
20. **Properly support long or wide work-pieces.** Loss of control of the workpiece can cause serious injury.
21. **Never perform layout, assembly** or set-up work on the table/work area when the machine is running. Serious injury will result.
22. **Turn the machine "OFF", disconnect it from the power source,** and clean the table/work area before leaving the machine. **Lock the switch in the "OFF" position** to prevent un-authorized use. Someone else might accidentally start the machine and cause injury to themselves or others.
23. **Additional information** regarding the safe and proper operation of power tools (i.e. a safety video) is available from the Power Tool Institute, 1300 Sumner Avenue, Cleveland, OH 44115-2851 (www.powertoolinstitute.com). Information is also available from the National Safety Council, 1121 Spring Lake Drive, Itasca, IL 60143-3201. Please refer to the American National Standards Institute ANSI O1.1 Safety Requirements for Woodworking Machines and the U.S. Department of Labor Regulations.

⚠ WARNING: Some dust created by power sanding, sawing, grinding, drilling, and other construction activities contains chemicals known to the State of California to cause cancer, birth defects or other reproductive harm. Some examples of these chemicals are:

- Lead from lead-based paints,
- Crystalline silica from bricks and cement and other masonry products, and
- Arsenic and chromium from chemically-treated lumber (CCA).

Your risk from these exposures varies, depending on how often you do this type of work. To reduce your exposure to these chemicals: work in a well-ventilated area, and work with approved safety equipment, such as those dust masks that are specially designed to filter out microscopic particles.

- **Avoid prolonged contact with dust from power sanding, sawing, grinding, drilling, and other construction activities. Wear protective clothing and wash exposed areas with soap and water.** Allowing dust to get into your mouth, eyes, or lay on the skin may promote absorption of harmful chemicals.

⚠ WARNING: Use of this tool can generate and/or disburse dust, which may cause serious and permanent respiratory or other injury. Always use NIOSH/OSHA approved respiratory protection appropriate for the dust exposure. Direct particles away from face and body. Always operate tool in well-ventilated area and provide for proper dust removal. Use dust collection system wherever possible.

POWER CONNECTIONS

A separate electrical circuit should be used for your machines. This circuit should not be less than #12 wire and should be protected with a 20 Amp time lag fuse. **NOTE:** Time delay fuses should be marked "D" in Canada and "T" in the US. If an extension cord is used, use only 3-wire extension cords which have 3-prong grounding type plugs and matching receptacle which will accept the machine's plug. Before connecting the machine to the power line, make sure the switch (or switches) is in the "OFF" position and be sure that the electric current is of the same characteristics as indicated on the machine. All line connections should make good contact. Running on low voltage will damage the machine.

⚠ DANGER Do not expose the machine to rain or operate the machine in damp locations.

MOTOR SPECIFICATIONS

Your machine is wired for 120 Volts, 60 HZ alternating current. Before connecting the machine to the power source, make sure the switch is in the "OFF" position.

GROUNDING INSTRUCTIONS

⚠ DANGER This machine must be grounded while in use to protect the operator from electric shock.

1. All grounded, cord-connected machines:

In the event of a malfunction or breakdown, grounding provides a path of least resistance for electric current to reduce the risk of electric shock. This machine is equipped with an electric cord having an equipment-grounding conductor and a grounding plug. The plug must be plugged into a matching outlet that is properly installed and grounded in accordance with all local codes and ordinances.

Do not modify the plug provided - if it will not fit the outlet, have the proper outlet installed by a qualified electrician.

Improper connection of the equipment-grounding conductor can result in risk of electric shock. The conductor with insulation having an outer surface that

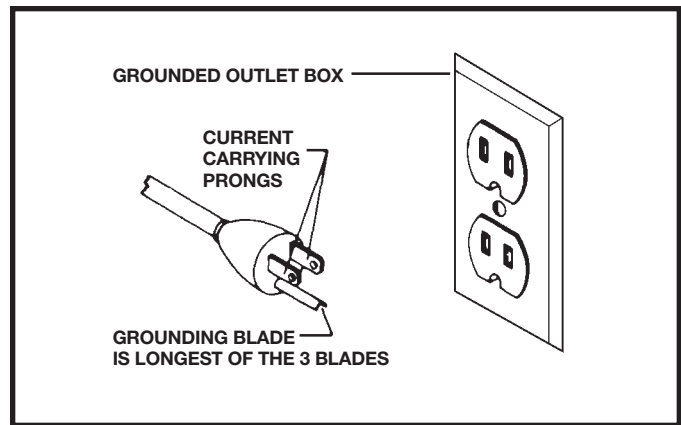


Fig. A

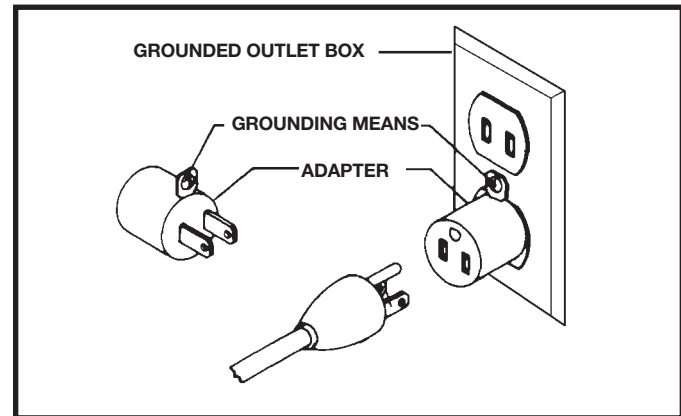


Fig. B

is green with or without yellow stripes is the equipment-grounding conductor. If repair or replacement of the electric cord or plug is necessary, do not connect the equipment-grounding conductor to a live terminal.

Check with a qualified electrician or service personnel if the grounding instructions are not completely understood, or if in doubt as to whether the machine is properly grounded.

Use only 3-wire extension cords that have 3-prong grounding type plugs and matching 3-conductor receptacles that accept the machine's plug, as shown in Fig. A.

Repair or replace damaged or worn cord immediately.

2. Grounded, cord-connected machines intended for use on a supply circuit having a nominal rating less than 150 volts:

If the machine is intended for use on a circuit that has an outlet that looks like the one illustrated in Fig. A, the machine will have a grounding plug that looks like the plug illustrated in Fig. A. A temporary adapter, which looks like the adapter illustrated in Fig. B, may be used to connect this plug to a matching 2-conductor receptacle as shown in Fig. B if a properly grounded outlet is not available. The temporary adapter should be used only until a properly grounded outlet can be installed by a qualified electrician. The green-colored rigid ear, lug, and the like, extending from the adapter must be connected to a permanent ground such as a properly grounded outlet box. Whenever the adapter is used, it must be held in place with a metal screw.

NOTE: In Canada, the use of a temporary adapter is not permitted by the Canadian Electric Code.

⚠ DANGER In all cases, make certain that the receptacle in question is properly grounded. If you are not sure, have a qualified electrician check the receptacle.

EXTENSION CORDS

⚠ WARNING Use proper extension cords. Make sure your extension cord is in good condition and is a 3-wire extension cord which has a 3-prong grounding type plug and matching receptacle which will accept the machine's plug. When using an extension cord, be sure to use one heavy enough to carry the current of the machine. An undersized cord will cause a drop in line voltage, resulting in loss of power and overheating. Fig. D-1 shows the correct gauge to use depending on the cord length. If in doubt, use the next heavier gauge. The smaller the gauge number, the heavier the cord.

MINIMUM GAUGE EXTENSION CORD			
RECOMMENDED SIZES FOR USE WITH STATIONARY ELECTRIC MACHINES			
Ampere Rating	Volts	Total Length of Cord in Feet	Gauge of Extension Cord
0-6	120	up to 25	18 AWG
0-6	120	25-50	16 AWG
0-6	120	50-100	16 AWG
0-6	120	100-150	14 AWG
6-10	120	up to 25	18 AWG
6-10	120	25-50	16 AWG
6-10	120	50-100	14 AWG
6-10	120	100-150	12 AWG
10-12	120	up to 25	16 AWG
10-12	120	25-50	16 AWG
10-12	120	50-100	14 AWG
10-12	120	100-150	12 AWG
12-16	120	up to 25	14 AWG
12-16	120	25-50	12 AWG
12-16	120	GREATER THAN 50 FEET NOT RECOMMENDED	

Fig. D-1

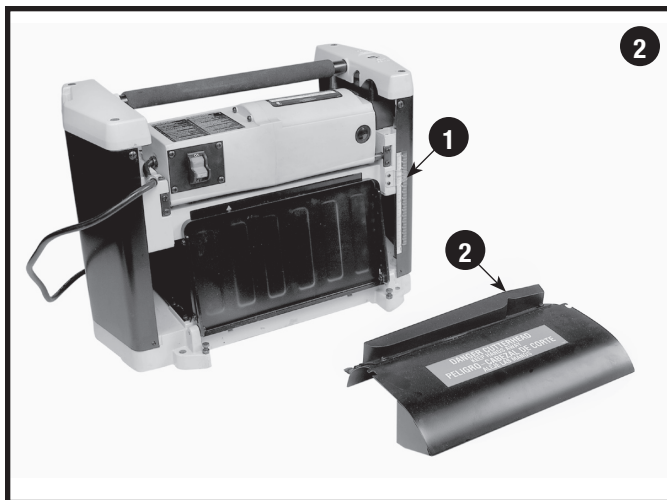
FUNCTIONAL DESCRIPTION

FOREWORD

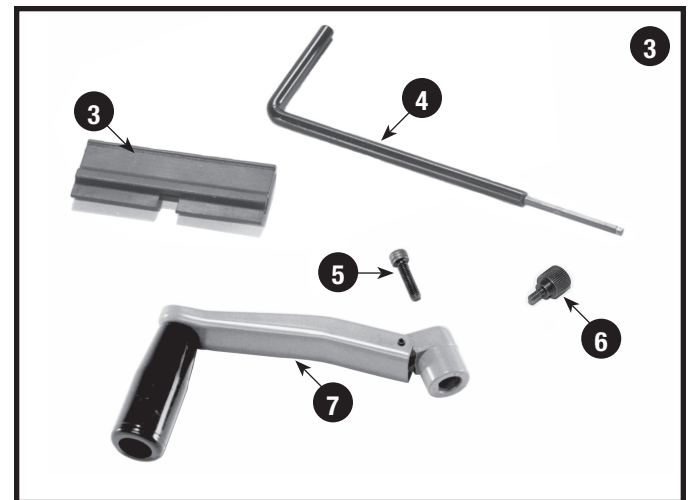
PC305TP is a 12-1/2 inch (317 mm) Portable Planer. This planer can handle workpieces up to 12-1/2 inches (317 mm) wide and 6 inches (152 mm) thick. The maximum depth of cut is 3/32 inch (2.4 mm). The PC305TP features a powerful 15 amp, 120 volt motor, a two-knife cutterhead with double-edged reversible knives, knife-installation tool and wrench.

NOTE: The picture on the manual cover illustrates the current production model. All other illustrations contained in the manual are representative only and may not depict the actual labeling or accessories included. These are intended to illustrate technique only.

CARTON CONTENTS



1. Planer
2. Cutterhead Guard



3. Knife Transfer Tool
4. 5 mm Wrench Assembly
5. M5 x 20 mm Hex Socket Head Screw
6. M5 x 10 mm Knob (2)
7. Elevating Handle

UNPACKING AND CLEANING

Carefully unpack the machine and all loose items from the shipping container(s). Remove the rust-preventative oil from unpainted surfaces using a soft cloth moistened with mineral spirits, paint thinner or denatured alcohol.

NOTICE: Do not use highly volatile solvents such as gasoline, naphtha, acetone or lacquer thinner for cleaning your machine.

After cleaning, cover the unpainted surfaces with a good quality household floor paste wax.

ASSEMBLY

WARNING: To reduce the risk of injury, turn unit "OFF" and disconnect it from power source before installing and removing accessories, before adjusting or when making repairs. An accidental start-up can cause injury.

ASSEMBLY TOOLS REQUIRED

- 5 mm hex wrench (included)

ASSEMBLY TIME ESTIMATE

Assembly for this machine takes approximately 30 minutes.

RAISING AND LOWERING HANDLE

Attach the raising and lowering handle (A) Fig. 4 to the shaft (B) and fasten in place with M5 x 20 mm screw (C). **NOTE:** Ensure that the flats of the handle and the flats on the shaft are aligned. Flip handle (A) upward as shown in Fig. 5.

LOWERING EXTENSION TABLES

The infeed and outfeed extension tables (A) Fig. 6 are shipped attached to the machine in the raised position. Lower the tables (A) on both sides of the planer (Fig. 6). The top surface of extension tables should be level with the planer table. To check and adjust, refer to the section **Leveling Extension Tables** in this manual.

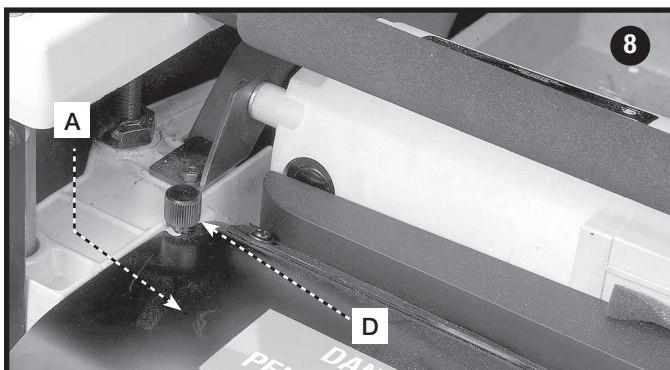
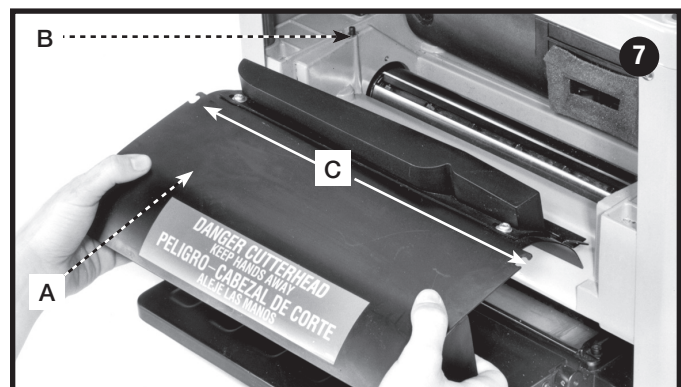
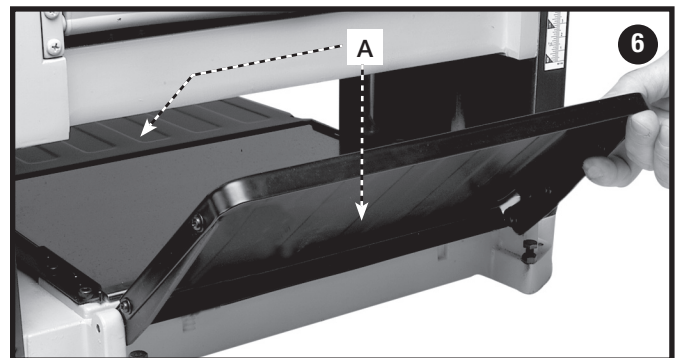
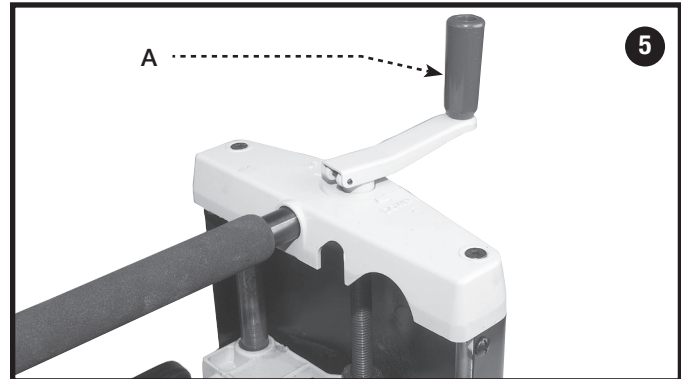
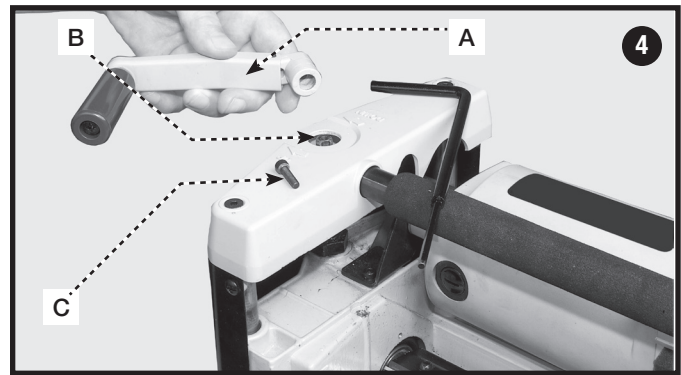
CUTTERHEAD GUARD

1. Attach the cutterhead guard (A) Fig. 7 to the planer by inserting the end of the guard over the top of the cutterhead. Place the slots in the cutterhead guard (C) over the tapped holes (B).
2. Fasten cutterhead guard (A) Fig. 8 to planer using two knobs, one of which is shown at (D) Fig. 8.

WARNING: Make sure that the cutterhead guard is properly secured with the knobs before operating this machine.

FASTENING PLANER TO SUPPORTING SURFACE

During operation, if there is any tendency for the planer to tip over, slide or "walk" across the supporting surface, the planer must be secured to the supporting surface. Four holes (two of which are shown at (A) Fig. 9) are provided for this purpose.



OPERATION

STARTING AND STOPPING PLANER

⚠ WARNING: Make sure that the switch is in the "OFF" position before plugging cord into outlet. Do not touch the plug's metal prongs when unplugging or plugging in the cord.

1. The on/off switch (A) Fig. 10 is located on the front of the planer motor. To turn the machine "ON", move the switch up to the "ON" position.
2. To turn the machine "OFF", move the switch (A) down to the "OFF" position.

LOCKING SWITCH IN THE "OFF" POSITION

IMPORTANT: When the machine is not in use, the switch should be locked in the "OFF" position to prevent unauthorized use. To lock the machine, grasp the switch toggle (T) and pull it out of the switch (Fig. 11). With the switch toggle (T) removed, the switch will not operate. However, should the switch toggle be removed while the planer is running, the machine can be turned "OFF," but cannot be restarted without reinserting the switch toggle (T).

⚠ WARNING: In the event of a power outage (such as a breaker or fuse trip), always move the switch to the "OFF" position until the main power is restored.

RAISING AND LOWERING HEAD ASSEMBLY

The head assembly (A) Fig. 12A contains the cutterhead feed rollers, cutterhead guard and motor. Raising and lowering the head assembly controls the depth-of-cut on your planer. To raise or lower the head assembly, rotate the handle (D).

NOTE: One revolution of the handle will move the cutterhead up or down approximately 5/64 inch (2 mm).

An English/metric scale and pointer (C) is located on the front of the planer to indicate the height of the cutterhead. Adjustment to the pointer can be made by running a piece of wood through the machine. Measure the thickness of the workpiece and if an adjustment is necessary, loosen two screws (B) and adjust pointer accordingly. Then tighten two screws.

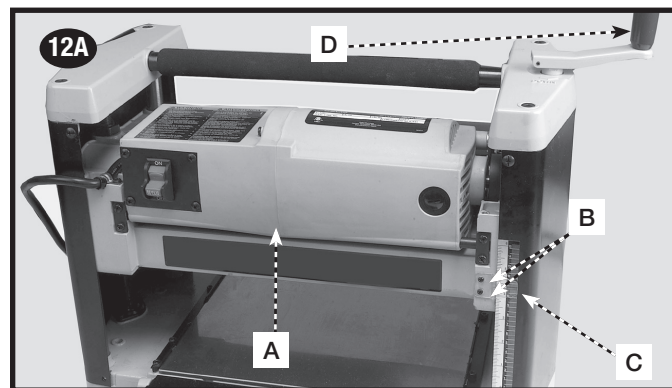
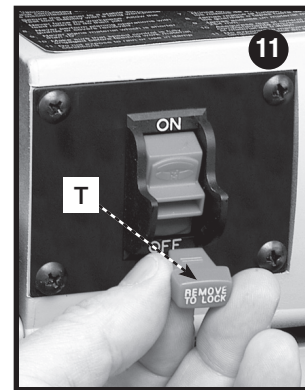
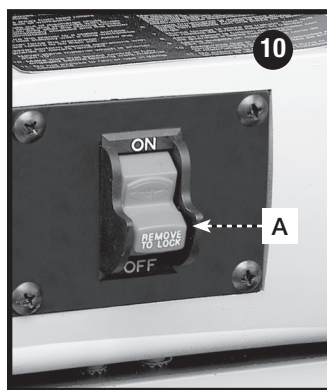
Refer to Fig. 12B for recommended maximum depth-of-cut for various board widths of soft and hard woods.

NOTICE: Continuous operation at the deepest depth of cut can cause premature motor failure.

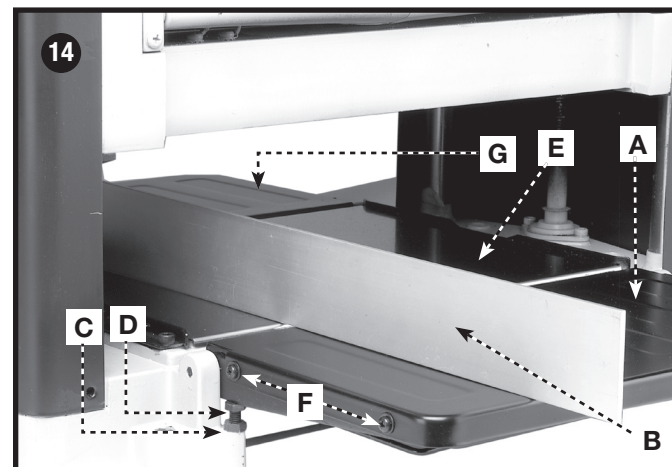
LEVELING EXTENSION TABLES

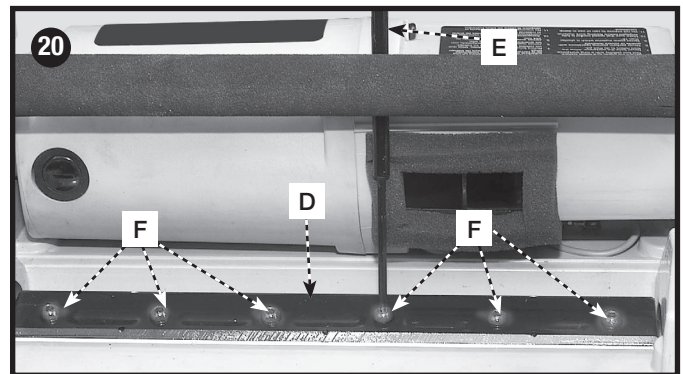
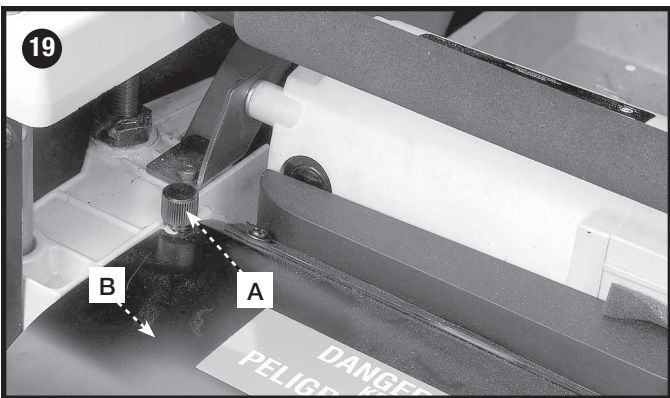
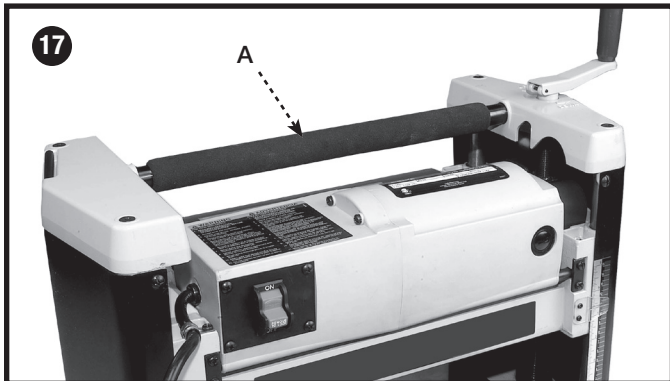
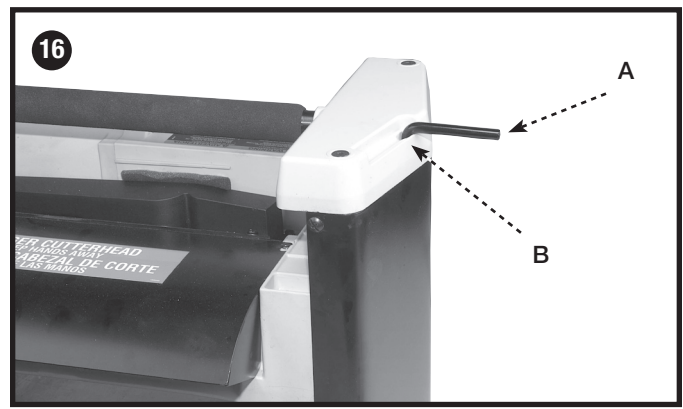
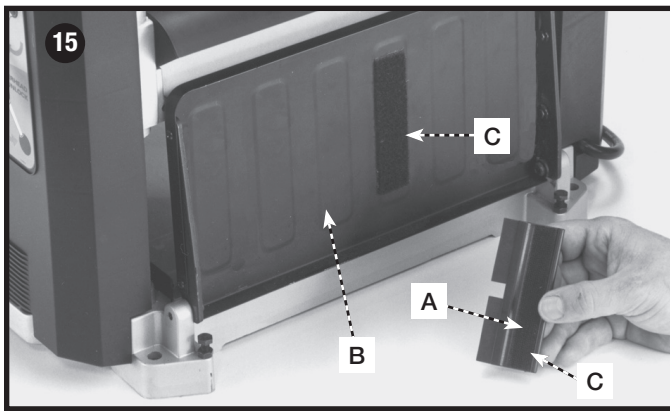
The extension tables (A) and (G) Fig. 14 must be level with the planer table. To check the extension tables and adjust if necessary:

1. Place a straight edge (B) Fig. 14 on the planer table (E) with one end extending out over the infeed table (A). Check to see if the infeed table is level with the planer table on both ends of the planer table.
2. If an adjustment is necessary, loosen the locknut (C) Fig. 14, and adjust the stop screw (D) on each side of the infeed table (A) until the extension table is level with the planer table (E). Tighten the locknut (C). Recheck and make certain that the inside edge of table extension is level with the planer table. If necessary, loosen the two screws (F), adjust the extension table and retighten the two screws (F). Adjust the opposite side of the table in the same manner. Make certain that the extension table is solidly supported when downward pressure on the table is applied.
3. Check and adjust the outfeed table (G) in the same manner.



12B	Maximum depth-of-cut	
Board Width	Soft Woods	Hard Woods
2 inches (50.8 mm)	3/32 inches (2.4 mm)	3/32 inches (2.4 mm)
4 inches (101.6 mm)	3/32 inches (2.4 mm)	3/32 inches (2.4 mm)
6 inches (152.4 mm)	3/32 inches (2.4 mm)	3/32 inches (2.4 mm)
7 inches (177.8 mm)	3/32 inches (2.4 mm)	3/32 inches (2.4 mm)
8 inches (203.2 mm)	3/32 inches (2.4 mm)	3/32 inches (2.4 mm)
9 inches (228.6 mm)	5/64 inches (2 mm)	1/16 inches (1.6 mm)
10 inches (254 mm)	1/16 inches (1.6 mm)	3/64 inches (1.2 mm)
11 inches (279.4 mm)	1/16 inches (1.6 mm)	3/64 inches (1.2 mm)
12 inches (304.8 mm)	1/16 inches (1.6 mm)	3/64 inches (1.2 mm)





KNIFE TRANSFER TOOL STORAGE

The knife transfer tool (A) Fig. 15, supplied with your planer, can easily be stored underneath the outfeed table extension (B) when not being used. A Velcro strip (C) is provided on the tool and underneath the table for this purpose.

WRENCH STORAGE

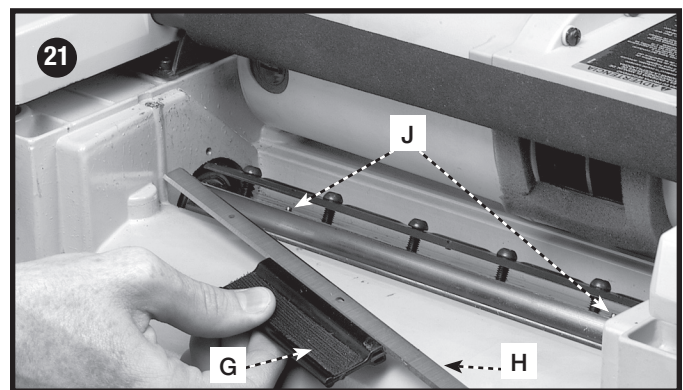
The wrench (A) Fig. 16, can be stored in hole (B) located on the right rear side of the machine as shown.

CARRYING HANDLE/STOCK TRANSFER BAR

1. Your planer is provided with a foam covered carrying handle (A) Fig. 17, located on top of the machine, for ease in transporting the planer.
2. The carrying handle (A) Fig. 18, also doubles as a stock transfer bar for transferring stock from the outfeed to infeed end of the machine. This is helpful when planing long material, as the workpiece can easily be transferred back to the infeed end of the machine for additional cuts.

REPLACING KNIVES

The knives supplied with your planer are double edged and reversible, which enables you to turn the knives end-for-end when one edge becomes dull or chipped. To change the knives, proceed as follows:

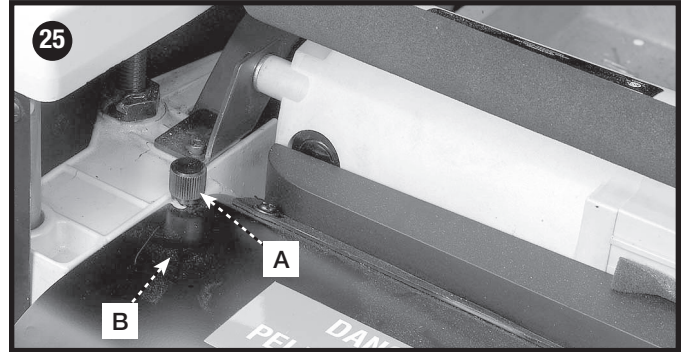
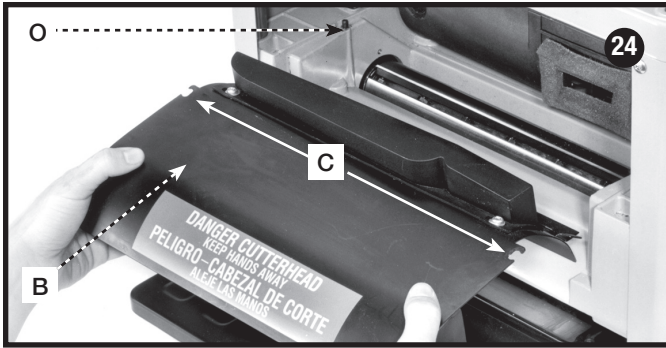
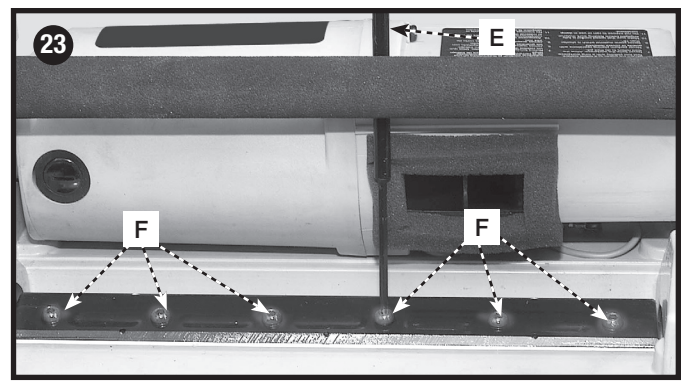
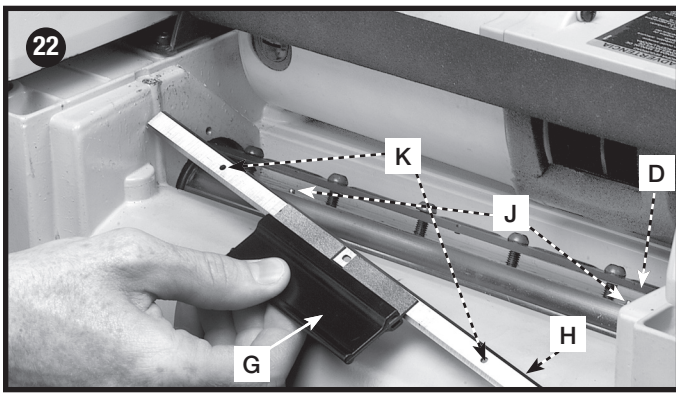


⚠ WARNING: Disconnect tool from power source.

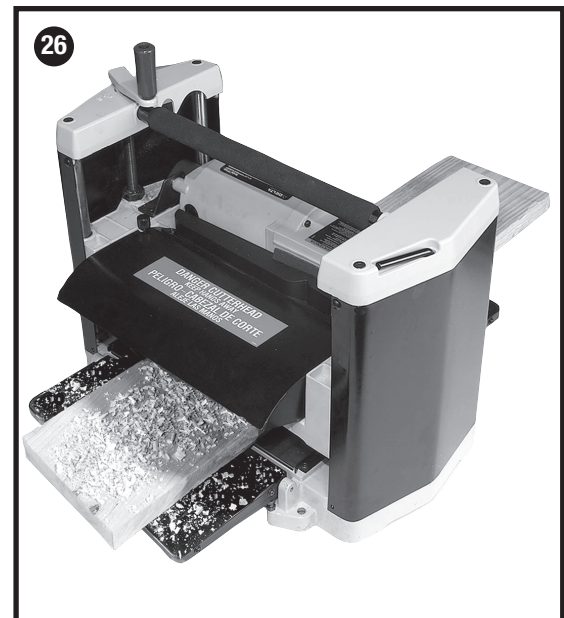
1. Raise head assembly all the way to the top.
2. Remove cutterhead guard (B) Fig. 19 by removing two knobs, one of which is shown at (A).

⚠ WARNING: The knives are extremely sharp. Be careful when removing, handling or installing knives.

3. Using the supplied wrench (E) Fig. 20, unscrew the six screws at (F), only enough until locking bar (D) separates from knife, allowing knife to be removed.



4. Insert knife transfer tool (G) Fig. 21, underneath center of knife. Lift the knife transfer tool up until knife (H) separates from pins (J) and pull out and remove knife as shown. **NOTE:** Knife transfer tool is magnetized, allowing it to attach to knife.
5. Rotate knife (H) Fig. 22 end-for-end, or using a new knife, position knife transfer tool (G) on top of knife as shown. Place knife in cutterhead with bevel up underneath locking bar (D), making sure pins (J) in cutterhead engage with holes (K) in knife.
6. Remove knife transfer tool and tighten the six screws at (F) Fig. 23, using wrench (E) supplied.
7. Replace other knife by rotating head 180 degrees and repeat STEPS 3 THROUGH 6.
8. Attach the cutterhead guard (B) Fig. 24 to the planer by inserting the end of the guard over the top of the cutterhead. Place the slots in the cutterhead guard (C) over the tapped holes (O). Fasten cutterhead guard (B) Fig. 25 to planer using two knobs, one of which is shown at (A) Fig. 25.



MACHINE USE

When using your machine, follow these few simple steps for achieving the best results.

1. **True Up One Face** – Feed one face of the board over a jointer, making thin cuts with each pass, until the entire surface is flat.
2. **Plane to Thickness** – Place the side you planed in **STEP 1** face down and feed the board through the planer, (Fig. 26). Plane until this side is flat, then plane both sides of the board until you are satisfied with the thickness. Make thin cuts, and alternate sides with each pass. If, during the planing operation, you notice the board twisting, warping, or bowing, repeat **STEP 1** and true up one face.
3. When planing long stock, provide table extensions to support the infeed and outfeed end of the workpiece.

4. Plane with the grain only, and keep planer table clean. Occasionally, wax the table surface to reduce friction during the planing operation.
5. **Cross-cut to Final Length** – Cross-cut lumber to final length.

⚠ CAUTION The knives on the planer will not wear evenly if the wood is fed through the same spot on the table every time. Feed the wood through the planer at different spots on the table to help eliminate uneven wear of the knives.

TROUBLESHOOTING

For assistance with your machine, visit our website at www.portercable.com for a list of service centers or call the help line at 1-888-848-5175.

MAINTENANCE

⚠ WARNING: To reduce the risk of injury, turn unit off and disconnect it from power source before installing and removing accessories, before adjusting or when making repairs. An accidental start-up can cause injury.

KEEP MACHINE CLEAN

Periodically blow out all air passages with dry compressed air. All plastic parts should be cleaned with a soft damp cloth. NEVER use solvents to clean plastic parts. They could possibly dissolve or otherwise damage the material.

⚠ WARNING: Wear certified safety equipment for eye, hearing and respiratory protection while using compressed air.

FAILURE TO START

Should your machine fail to start, check to make sure the prongs on the cord plug are making good contact in the outlet. Also, check for blown fuses or open circuit breakers in the line.

LUBRICATION & RUST PROTECTION

Apply household floor paste wax to the planer table, extension table or other work surface weekly. Or use a commercially available protective product designed for this purpose. Follow the manufacturer's instructions for use and safety.

BRUSH INSPECTION AND REPLACEMENT

⚠ WARNING: Disconnect tool from power source.

Brush life varies. It depends on the load on the motor. Check the brushes after the first 50 hours of use for a new machine or after a new set of brushes has been installed. After the first check, examine them after about 10 hours of use until such time that replacement is necessary.

The brush holders, one of which is shown at (A) Fig. 27, are located on the motor housing opposite each other. One of the brushes, removed for inspection, is illustrated in Fig. 28. When the carbon (B) on either brush is worn to 3/16 inch (4.7 mm) in length or if either spring (C) or shunt wire is burned or damaged in any way, replace both brushes. If the brushes are found serviceable after removing, re-install them in the same position as removed.

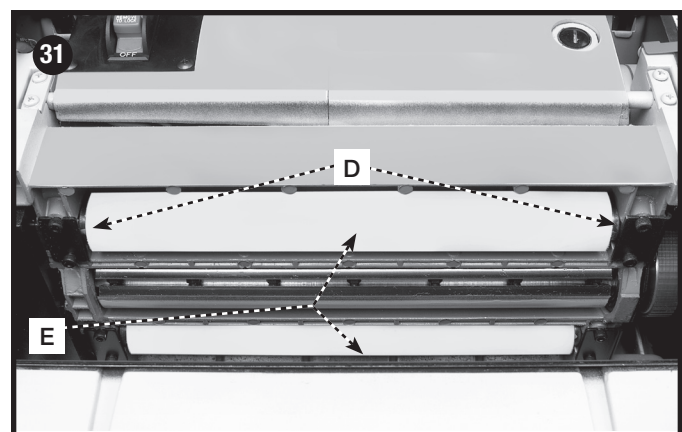
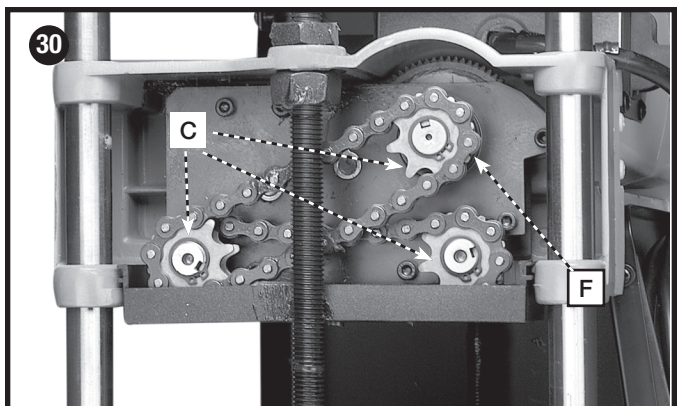
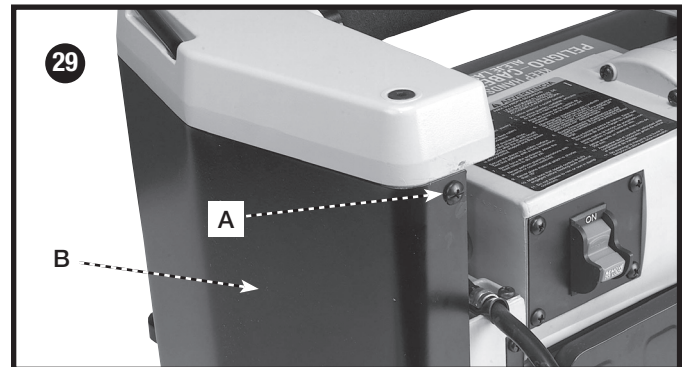
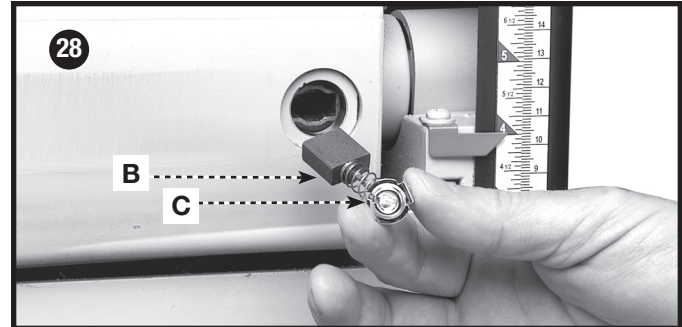
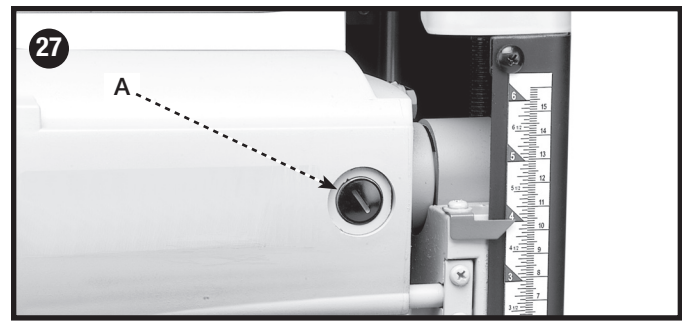
⚠ WARNING: After brush maintenance is completed, the cutterhead guard must be re-installed before starting the planer.

LUBRICATION

The gears in the gear box and the feed roller bushings should be lubricated periodically.

⚠ WARNING: Disconnect tool from power source.

1. Remove the screw (A) Fig. 29, and nut located on the other end of screw. Remove the side cover (B) from the left side of the planer.
2. Place a light coat of E.P. multi-purpose grease on the teeth of the gears (C) Fig. 30, and a light coat of spray lubricant on the chains (F). Replace the side cover.
3. Place the planer on its back and squirt oil on the feed roller bushings (D) Fig. 31 at each end of the feed rollers (E).
4. Replace side cover.



SERVICE

REPLACEMENT PARTS

Use only identical replacement parts. For a parts list or to order parts, visit our service website at www.portercable.com. You can also order parts from your nearest PORTER-CABLE Factory Service Center or PORTER-CABLE Authorized Warranty Service Center. Or, you can call our Customer Care Center at (888) 848-5175.

SERVICE AND REPAIRS

All quality tools will eventually require servicing and/or replacement of parts. For information about PORTER-CABLE, its Factory Service Centers or Authorized Warranty Service Centers, visit our website at www.porter-cable.com or call our Customer Care Center at (888) 848-5175. All repairs made by our service centers are fully guaranteed against defective material and workmanship. We cannot guarantee repairs made or attempted by others.

You can also write to us for information at PORTER-CABLE, 4825 Highway 45 North, Jackson, Tennessee 38305, (888) 848-5175 - Attention: Product Service. Be sure to include all of the information shown on the nameplate of your tool (model number, type, serial number, etc.).

ACCESSORIES

⚠ WARNING: Since accessories, other than those offered by PORTER-CABLE, have not been tested with this product, use of such accessories with this tool could be hazardous. To reduce the risk of injury, only PORTER-CABLE recommended accessories should be used with this product.

A complete line of accessories is available from your PORTER-CABLE Factory Service Center or a PORTER-CABLE Authorized Warranty Service Center. Please visit our web site www.portercable.com for a catalog or for the name of your nearest supplier.

THREE YEAR LIMITED WARRANTY

PORTER-CABLE will repair or replace, without charge, any defects due to faulty materials or workmanship for three years from the date of purchase for tools (two years for batteries). This warranty does not cover part failure due to normal wear or tool abuse. For further detail of warranty coverage and warranty repair information, visit www.portercable.com or call (888) 848-5175. This warranty does not apply to accessories or damage caused where repairs have been made or attempted by others. This warranty gives you specific legal rights and you may have other rights which vary in certain states or provinces.

In addition to the warranty, PORTER-CABLE tools are covered by our:

1 YEAR FREE SERVICE: PORTER-CABLE will maintain the tool and replace worn parts caused by normal use, for free, any time during the first year after purchase.

90 DAY MONEY BACK GUARANTEE: If you are not completely satisfied with the performance of your PORTER-CABLE power tool for any reason, you can return it within 90 days from the date of purchase with a receipt for a full refund – no questions asked.

LATIN AMERICA: This warranty does not apply to products sold in Latin America. For products sold in Latin America, see country specific warranty information contained in the packaging, call the local company or see website for warranty information.

To register your tool for warranty service visit our website at www.portercable.com.

WARNING LABEL REPLACEMENT

If your warning labels become illegible or are missing, call (888) 848-5175 for a free replacement.

⚠ WARNING

LACERATION HAZARD.

KEEP HANDS AWAY FROM OUTLET.

⚠ ADVERTENCIA

PELIGRO DE LACERACIÓN.

MANTENGA LAS MANOS LEJOS DEL TOMACORRIENTE.

⚠ AVERTISSEMENT

RISQUE DE LACÉRATION.

ÉLOIGNER LES MAINS DU PORT DE SORTIE.

⚠ WARNING TO REDUCE THE RISK OF INJURY USER MUST READ THE INSTRUCTION MANUAL BEFORE OPERATING PLANNER. ALWAYS WEAR PROPER EYE AND RESPIRATORY PROTECTION. WHEN OPERATING THIS TOOL, DO NOT WEAR GLOVES, NECKTIES, JEWELRY, LOOSE CLOTHING OR LONG HAIR. **PINCH HAZARD,** KEEP HANDS AWAY FROM FEED ROLLERS OR TOP SURFACE OF WORKPIECE. **LACERATION HAZARD,** KEEP HANDS OUT OF DISCHARGE CHUTE. REMOVE CHIPS AND SHAVINGS WITH BRUSH OR VACUUM ONLY AFTER THE CUTTING KNIVES HAVE COMPLETELY STOPPED AND THE POWER IS DISCONNECTED. NEVER PERFORM PLANING OPERATIONS WITH GUARDS OR COVERS REMOVED. SECURE THE PLANNER TO A STABLE SURFACE. TEST TOOL STABILITY WITH A LONG WORKPIECE. **KICKBACK HAZARD,** NEVER FORCE THE WORKPIECE. ALLOW THE FEED ROLLERS TO DO THEIR JOB. NEVER PLANE MATERIAL WHICH IS SHORTER THAN 10 INCHES (254 MM). MAKE SURE THAT SPEED CONTROL IS FULLY ENGAGED BEFORE FEEDING WORK MATERIAL. **SHOCK HAZARD,** DO NOT EXPOSE TO RAIN OR USE IN DAMP LOCATIONS.

⚠ ADVERTENCIA PARA REDUCIR EL RIESGO DE LESIONES, EL USUARIO DEBE LEER MANUAL DE INSTRUCCIONES ANTES DE OPERAR LA CEPILLADORA. SIEMPRE UTILICE PROTECCIÓN ADECUADA PARA LOS OJOS Y VÍAS RESPIRATORIAS. CUANDO OPERE ESTA HERRAMIENTA, NO UTILICE GUANTES, CORBATAS, JOYAS, ROPA HOLGADA NI EL CABELLO LARGO SUELTOS. **RIESGO DE PELLIZCOS,** MANTENGA LAS MANOS ALEJADAS DE LOS RODILLOS DE AVANCE O DE LA SUPERFICIE SUPERIOR DE LA PIEZA DE TRABAJO. **PELIGRO DE LACERACIÓN,** MANTENGA LAS MANOS FUERA DEL CONDUCTO DE DESCARGA. RETIRE LAS ASTILLAS O LOS RECORTES CON UN CEPILLO O ASPIRADORA SÓLO DESPUÉS DE QUE LAS CUCHILLAS DE CORTE SE HAYAN DETENIDO POR COMPLETO Y SE HAYA DISCONECTADO LA ENERGÍA. NUNCA REALICE OPERACIONES DE CEPILLADO SIN LAS GUARDIAS O LAS TAPAS. ASEGURE LA CEPILLADORA A UNA SUPERFICIE ESTABLE. PRUEBE LA ESTABILIDAD DE LA HERRAMIENTA CON UNA PIEZA DE TRABAJO LARGA. **RIESGO DURANTE EL RETROCESO,** NUNCA FUERCE LA HERRAMIENTA DE TRABAJO, PERMITA QUE LOS RODILLOS DE AVANCE HAGAN SU TRABAJO. NUNCA CEPILLE EL MATERIAL MÁS CORTO QUE 254 MM (10 PULG). ASEGURESE DE QUE EL CONTROL DE VELOCIDAD ESTÉ TRABAJANDO POR COMPLETO ANTES DE INTRODUCIR EL MATERIAL DE TRABAJO. **RIESGO DE DESCARGA ELÉCTRICA,** NO EXPOGA A LA LLUVIA NI UTILICE EN LUGARES HÚMEDOS.

⚠ AVERTISSEMENT L'UTILISATEUR DOIT LIRE LE MODE D'EMPLOI AVANT D'UTILISER LA RABOTEUSE AFIN DE RÉDUIRE LE RISQUE DE BLESSURE. TOUJOURS PORTER UNE PROTECTION OCULAIRE ET RESPIRATOIRE ADEQUATE, NE PAS PORTER DE GANTS, NI CRAVATES, NI BIJOUX OU VÊTEMENTS AMPLES ET COUVRIR LES CHEVEUX LONGS LORS DE L'UTILISATION DE L'OUTIL. **RISQUE DE PINCEMENT,** ÉLOIGNER LES MAINS DES ROULEAUX D'ALIMENTATION OU DE LA SURFACE SUPÉRIEURE DE LA PIÈCE. **RISQUE DE LACÉRATION,** ÉLOIGNER LES MAINS DE LA COLLETTE D'ÉVACUATION, À L'AIDE D'UNE BRUSSE OU D'UN ASPIRATEUR, RETIRER LES COPEAUX ET RABOTURES UNIQUEMENT APRÈS L'ARRÊT COMPLET DES LAMES ET LE DÉBRANCHEMENT DE L'OUTIL. NE JAMAIS RABOTER SANS LES DISPOSITIFS DE PROTECTION OU LES COUVERCLES EN PLACE. FIXER LA RABOTEUSE À UNE SURFACE STABLE. TESTER LA STABILITÉ DE L'OUTIL AVEC UNE LONGUE PIÈCE. **RISQUE DE REBOND,** NE JAMAIS FORCER L'AVANCEMENT DE LA PIÈCE. LAISSER AUX ROULEAUX D'ALIMENTATION LE SOIN D'EFFECTUER L'AVANCEMENT, NE JAMAIS RABOTER DE PIÈCES PLUS COURTES QUE 254 MM (10 PO). S'ASSURER QUE LA COMMANDE DE VITESSE SOIT BIEN ENCLICHÉE AVANT D'AVANCER LA PIÈCE. **RISQUE DE CHOC ÉLECTRIQUE,** NE PAS L'EXPOSER À LA PLUIE ET NE PAS L'UTILISER DANS UN ENVOIR HUMIDE.

LES INSTRUCTIONS IMPORTANTES DE SURETE

▲ AVERTISSEMENT Lire et comprendre toutes instructions d'avertissements et opération avant d'utiliser n'importe quel outil ou n'importe quel équipement. En utilisant les outils ou l'équipement, les précautions de sûreté fondamentales toujours devraient être suivies pour réduire le risque de blessure personnelle. L'opération déplacée, l'entretien ou la modification d'outils ou d'équipement ont pour résultat la blessure sérieux et les dommages de propriété. Il y a de certaines applications pour lequel outils et l'équipement sont conçus. PORTER-CABLE recommande avec force que ce produit n'ait pas modifié et/ou utilisé pour l'application autrement que pour lequel il a été conçu.



MESURES DE SÉCURITÉ - DÉFINITIONS

Ce guide contient des renseignements importants que vous deviez bien saisir. Cette information porte sur VOTRE SÉCURITÉ et sur LA PRÉVENTION DE PROBLÈMES D'ÉQUIPEMENT. Afin de vous aider à identifier cette information, nous avons utilisé les symboles ci-dessous.

▲ DANGER: indique une situation dangereuse imminente qui, si elle n'est pas évitée, **causera la mort ou des blessures graves.**

▲ AVERTISSEMENT : indique une situation potentiellement dangereuse qui, si elle n'est pas évitée, **pourrait se solder par un décès ou des blessures graves.**

▲ ATTENTION: indique une situation potentiellement dangereuse qui, si elle n'est pas évitée **pourrait se solder par des blessures mineures ou modérées.**

AVIS: indique une pratique ne posant **aucun risque de dommages corporels** mais qui par contre, si rien n'est fait pour l'éviter, **pourrait poser des risques de dommages matériels.**

RÈGLES DE SÉCURITÉ GÉNÉRALES

▲ AVERTISSEMENT : L'inobservation de ces règles peut conduire à des blessures graves.

- 1. Pour sa sécurité personnelle, lire la notice d'utilisation, avant de mettre la machine.** En marche, et pour aussi apprendre l'application et les limites de la machine ainsi que les risques qui lui sont particuliers ainsi, les possibilités d'accident et de blessures seront beaucoup réduites.
- 2. Portez des dispositifs de protection des yeux et de l'ouïe.** Utilisez toujours des lunettes de sécurité. Des lunettes ordinaires ne constituent pas des lunettes de sécurité. Utilisez des équipements de sûreté homologués. Les dispositifs de protection des yeux doivent être conformes aux normes ANSI Z87.1. Les dispositifs de protection de l'ouïe doivent être conformes aux normes ANSI S3.19.
- 3. Porter une tenue appropriée.** Pas de cravates, de gants, ni de vêtements amples. Enlever montre, bagues et autres bijoux. Rouler les manches. Les vêtements ou les bijoux qui se trouvent pris dans les pièces mobiles peuvent entraîner des blessures.
- 4. Ne pas utiliser la machine dans un environnement dangereux.** L'utilisation d'outils électriques dans des endroits humides ou sous la pluie peut entraîner des décharges électriques ou une électrocution. Garder la zone de travail bien éclairée pour éviter de trébucher ou d'exposer les doigts, les mains ou les bras à une situation dangereuse.
- 5. Ne pas utiliser d'outils électriques à proximité de liquides inflammables ou dans une atmosphère gazeuse ou explosive.** Les moteurs et interrupteurs des outils pourraient provoquer des étincelles et enflammer des vapeurs.
- 6. Garder les outils et les machines en parfait état.** Garder les outils affûtés et propres afin d'obtenir le meilleur et le plus sûr rendement. Suivre les instructions pour lubrifier et changer les accessoires. Les outils et les machines mal entretenus peuvent se dégrader davantage, et/ou entraîner des blessures.
- 7. Inspecter les pièces pour déceler tout dommage.** Avant d'utiliser la machine, la vérifier pour voir s'il n'y a pas de pièces endommagées. Vérifier l'alignement des pièces mobiles et si ces pièces ne se coincent pas, la rupture de pièces, ou toute autre condition pouvant en affecter le fonctionnement. Toute pièce ou protecteur endommagé doit être réparé ou remplacé avec le PORTER-CABLE ou les pièces de rechange autorisées par usine. Les pièces endommagées peuvent dégrader davantage la machine et/ou entraîner des blessures.
- 8. Garder l'aire de travail propre.** Les zones et établis encombrés favorisent les accidents.
- 9. Garder les enfants et les visiteurs à distance.** L'atelier est un lieu potentiellement dangereux. Les enfants et les visiteurs peuvent se blesser.
- 10. Éviter le démarrage accidentel.** S'assurer que l'interrupteur est sur « OFF » (ARRÊT) avant de brancher le cordon. En cas de coupure de courant, placer l'interrupteur à la position « OFF » (ARRÊT). Un démarrage accidentel peut entraîner des blessures.
- 11. Utiliser les dispositifs protecteurs.** Vérifier que tous les dispositifs protecteurs sont bien en place, bien fixés et en bon état de marche pour éviter les blessures.
- 12. Enlever les clés de réglage et celles de serrage avant de mettre la machine en marche.** Les outils, les chutes et les autres débris peuvent être projetés violemment et blesser.
- 13. Utiliser la bonne machine.** Ne pas forcer la machine ou l'accessoire à faire un travail pour lequel il n'a pas été conçu. Des dommages à la machine et/ou des blessures pourraient s'ensuivre.
- 14. Utiliser les accessoires recommandés.** L'utilisation d'accessoires non recommandés par PORTER-CABLE peut endommager la machine et blesser l'utilisateur.
- 15. Utiliser le cordon prolongateur approprié.** S'assurer que le cordon prolongateur est en bon état. Lorsqu'un cordon prolongateur est utilisé, s'assurer que celui-ci est d'un calibre suffisant pour l'alimentation nécessaire à la machine. Un cordon d'un calibre insuffisant entraînera une perte de tension d'où une perte de puissance et surchauffe. Voir le **Tableau sur Les Cordons** prolongateurs pour obtenir le calibre approprié selon la longueur du cordon et l'ampérage de la machine. S'il y a un doute, utiliser un cordon d'un calibre supérieur. Plus le chiffre est petit, plus le fil est gros.
- 16. Fixer la pièce.** Utilisez les brides ou un étau pour tenir l'objet si pratique. La perte de commande d'un objet peut causer des dommages.
- 17. Avancer la pièce dans le sens contraire à la rotation de la lame, de la fraise ou de la surface abrasive.** L'alimentation dans l'autre sens peut entraîner une projection violente de la pièce.
- 18. Ne pas forcer la machine en avançant la pièce trop vite.** Des dommages et/ou des blessures peuvent s'ensuivre.

19. **Ne pas se pencher au-dessus de la machine.** Une perte de l'équilibre peut entraîner une chute sur la machine en marche et causer des blessures.
20. **Ne jamais monter sur la machine.** On peut se blesser gravement si la machine bascule ou si l'on touche accidentellement son outil tranchant.
21. **Ne jamais laisser la machine en marche sans surveillance.** Couper le courant. Ne pas quitter la machine tant qu'elle n'est pas complètement arrêtée. Un enfant ou un visiteur pourrait se blesser.
22. **Mettre la machine à l'arrêt « OFF » et la débrancher avant d'installer ou d'enlever des accessoires, changer les coupeurs, d'ajuster ou de changer des montages.** En dépannant, soyez sûr de fermer le commutateur de début en position de « OFF ». Un démarrage accidentel peut entraîner des blessures.
23. **Mettre l'atelier à l'abri des enfants au moyen de cadenas, d'interrupteurs principaux ou en enlevant les boutons des dispositifs de mise en marche.** Le démarrage accidentel de la machine par un enfant ou un visiteur peut entraîner des blessures.
24. **Rester vigilant, attentif, et faire preuve de bon sens.** Ne pas utiliser la machine lorsque l'on est fatigué ou sous

l'influence de drogues, d'alcool ou de médicaments. Un instant d'inattention lors de l'utilisation d'outils électriques peut entraîner des blessures graves.

25. **▲ AVERTISSEMENT : L'utilisation de cet outil peut produire et disperser de la poussière ou d'autres particules en suspension dans l'air, telles que la sciure de bois, la poussière de silicium cristallin et la poussière d'amiante.** Dirigez les particules loin du visage et du corps. Faites toujours fonctionner l'outil dans un espace bien ventilé et prévoyez l'évacuation de la poussière. Utilisez un système de dépoussiérage chaque fois que possible. L'exposition à la poussière peut causer des problèmes de santé graves et permanents, respiratoires ou autres, tels que la silicose (une maladie pulmonaire grave) et le cancer, et même le décès de la personne affectée. Évitez de respirer de la poussière et de rester en contact prolongé avec celle-ci. En laissant la poussière pénétrer dans vos yeux ou votre bouche, ou en la laissant reposer sur votre peau, vous risquez de promouvoir l'absorption de substances toxiques. Portez toujours des dispositifs de protection respiratoire homologués par NIOSH/OSHA, appropriés à l'exposition à la poussière et de taille appropriée, et lavez à l'eau et au savon les surfaces de votre corps qui ont été exposées.

RÈGLES SPÉCIFIQUES ADDITIONNELLES DE SÛRETÉ

▲ AVERTISSEMENT : L'inobservation de ces règles peut conduire à des blessures graves.

1. **Ne pas faire fonctionner cet appareil** avant qu'il ne soit entièrement assemblé et installé conformément aux directives. Un appareil mal assemblé peut provoquer des blessures graves.
2. **Demander conseil** à un superviseur, instructeur, ou toute autre personne qualifiée si l'on ne maîtrise pas parfaitement l'utilisation de cet appareil. La connaissance est synonyme de sécurité.
3. **Suivre tous les codes de câblage** et les connexions électriques recommandées afin d'éviter tout choc électrique ou électrocution.
4. **Maintenir les fers affûtés** et exempts de rouille et résine. Des fers émoussés ou rouillés exigent plus de force et risquent de provoquer un effet de rebond.
5. **Ne jamais démarrer l'appareil** avant de débarrasser la table de tout objet (outils, déchets de découpe, etc.). La projection de débris risque de provoquer des blessures graves.
6. **Ne jamais démarrer l'appareil** avec une pièce en contact avec le fer. Il y a risque d'effet de rebond.
7. **Fixer l'appareil sur une surface de support** pour l'empêcher de glisser, de se déplacer ou de basculer.
8. **Fixer solidement les fers dans l'organe de coupe** avant de démarrer l'appareil. Il y a risque de projection des fers lâches à haute vitesse ce qui provoquerait des blessures graves.
9. **Verrouiller solidement le réglage de la vitesse** avant d'acheminer la pièce dans l'appareil. La modification de vitesses en cours de rabotage peut provoquer un effet de rebond.
10. **Éviter les opérations maladroites et éviter d'avoir les mains mal placées.** En glissant inopinément, votre main pourrait percuter les fers.
11. **Éloigner les bras, mains et doigts** de l'organe de coupe et des fers, de la lumière pour l'expulsion des copeaux et des rouleaux d'alimentation pour empêcher des coupures graves.
12. **Ne jamais se pencher dans la zone de l'organe de coupe** lors du fonctionnement de l'appareil. Les mains risquent d'être aspirées sur les fers.

13. **Ne pas se mettre sur la trajectoire de la pièce.** L'effet de rebond risque de blesser.
14. **Permettre à la raboteuse d'atteindre son plein régime** avant d'acheminer une pièce. La modification de vitesses en cours de rabotage peut provoquer un effet de rebond.
15. **Lors du dégauchissement de matériau arqué,** déposer le côté concave (rond) du matériau sur la table et dégauchir dans le sens du fil pour empêcher le rejet.
16. **Ne pas acheminer une pièce** voilée, avec nœuds vicieux ou qui contient des corps étrangers (clous, agrafes, etc.). Il y a risque d'effet de rebond.
17. **Ne pas acheminer une pièce courte, mince ou étroite dans l'appareil.** Les mains risquent d'être aspirées sur les fers et/ou la pièce risque d'être projetée à hautes vitesses. Consulter la section *Fonctionnement* du présent mode d'emploi pour des détails.
18. **Ne pas acheminer une pièce** par la sortie de l'appareil. La pièce sera projetée dans la direction opposée, à très haute vitesse.
19. **Retirer les copeaux seulement** avec le moteur éteint ("OFF") et le protection des fers arrêté pour empêcher des blessures graves.
20. **Soutenir correctement les pièces longues ou larges.** La perte de contrôle de la pièce peut provoquer de graves blessures.
21. **Ne jamais effectuer d'opérations de traçage, d'assemblage,** ou de réglage sur la table/l'espace de travail lorsque l'appareil est en marche. Cela risque de se solder par des blessures graves.
22. **Éteindre l'appareil et couper le courant,** puis nettoyer la table/l'espace de travail avant de quitter l'appareil. **Verrouiller l'interrupteur en position d'arrêt « OFF »** pour éviter toute utilisation non autorisée. Il se peut que quelqu'un démarre accidentellement l'appareil et se blesse ou blesse un tiers.
23. **Des informations supplémentaires** (c.-à-d., Une vidéo sur la sécurité), indiquant comment utiliser des outils électriques correctement et en toute sécurité, sont disponibles auprès du power tool institute, 1300 Sumner Avenue, Cleveland, OH 44115-2851, États-Unis (www.Powertoolinstitute.com). Des informations sont également disponibles auprès du National Safety Council, 1121 Spring Lake Drive, Itasca, IL 60143-3201 É.-U. Se reporter à la norme ANSI O1,1 de l'American National Standards Institute concernant les machines de travail du bois, ainsi que la réglementation du département américain du travail.

⚠ AVERTISSEMENT : Les scies, meules, ponceuses, perceuses ou autres outils de construction peuvent produire des poussières contenant des produits chimiques reconnus par l'État californien pour causer des cancers, malformations congénitales ou être nocifs au système reproducteur. Parmi ces produits chimiques, on retrouve :

- le plomb dans les peintures à base de plomb ;
- la silice cristallisée dans les briques et le ciment ou autres articles de maçonnerie ; et
- l'arsenic et le chrome dans le bois ayant subi un traitement chimique (ACC).

Le risque associé à de telles expositions varie selon la fréquence à laquelle on effectue ces travaux. Pour réduire toute exposition à ces produits : travailler dans un endroit bien aéré, en utilisant du matériel de sécurité homologué tel un masque antipoussières spécialement conçu pour filtrer les particules microscopiques.

- **Limiter tout contact prolongé avec les poussières provenant du ponçage, sciage, meulage, perçage ou autres activités de construction. Porter des vêtements de protection et nettoyer à l'eau savonneuse les parties du corps exposées.** Le fait de laisser la poussière pénétrer dans la bouche, les yeux ou la peau peut promouvoir l'absorption de produits chimiques dangereux.

⚠ AVERTISSEMENT : Cet outil peut produire et/ou répandre de la poussière susceptible de causer des dommages sérieux et permanents au système respiratoire. Toujours utiliser un appareil respiratoire antipoussières homologué par le NIOSH ou l'OSHA. Diriger les particules dans le sens opposé au visage et au corps. Utiliser systématiquement l'outil dans un local bien aéré tout en utilisant un matériel de dépoussiérage approprié. Utiliser un système d'aspiration des poussières chaque fois que possible.

RACCORDEMENTS ÉLECTRIQUES

Un circuit électrique séparé doit être utilisé pour les machines. Ce circuit doit utiliser un câble de calibre 12 au minimum et doit être protégé par un fusible temporisé. **REMARQUE :** les fusibles temporisés devraient avoir l'inscription « D » au Canada et « T » aux É.-U. Si on utilise un cordon prolongateur, ce cordon doit être à trois fils, avoir une fiche à trois broches et une prise de courant à trois cavités, mise à la terre qui correspond à la fiche de la machine. Avant de brancher la machine, s'assurer que l'interrupteur (les interrupteurs) se trouve(nt) en position « OFF » (ARRÊT) et que le courant électrique présente les mêmes caractéristiques que celles qui sont inscrites sur la machine. Toutes les connexions électriques doivent établir un bon contact. Le fonctionnement sur une basse tension endommagera la machine.

⚠ DANGER : Ne pas exposer la machine à la pluie, et ne pas l'utiliser dans des endroits humides.

SPÉCIFICATIONS DU MOTEUR

Cette machine est câblée pour un fonctionnement sur un courant alternatif de 120 V, 60 Hz. Avant de brancher la machine, s'assurer que l'interrupteur se trouve à la position « OFF » (ARRÊT).

INSTRUCTIONS DE MISE À LA TERRE

⚠ DANGER : Cette machine doit être mise à la terre pendant son emploi, afin de protéger l'utilisateur des décharges électriques.

1. Toutes les machines avec cordon mis à la terre:

Dans l'éventualité d'un mauvais fonctionnement ou d'une panne, la mise à la terre fournit un trajet de moindre résistance permettant de réduire le risque de décharge électrique. Cette machine est dotée d'un cordon électrique possédant un conducteur de mise à la terre de l'équipement ainsi que d'une fiche mise à la terre. La fiche doit être branchée dans une prise de courant correspondante,

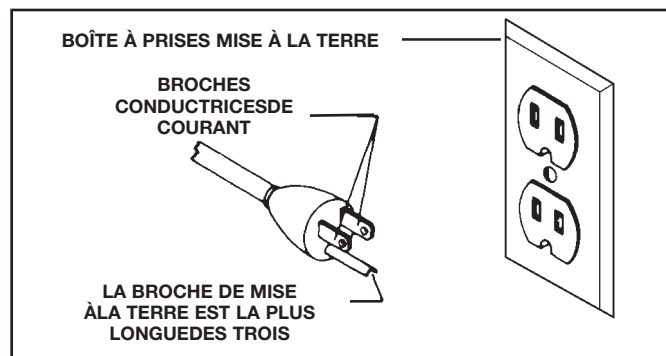


Fig. A

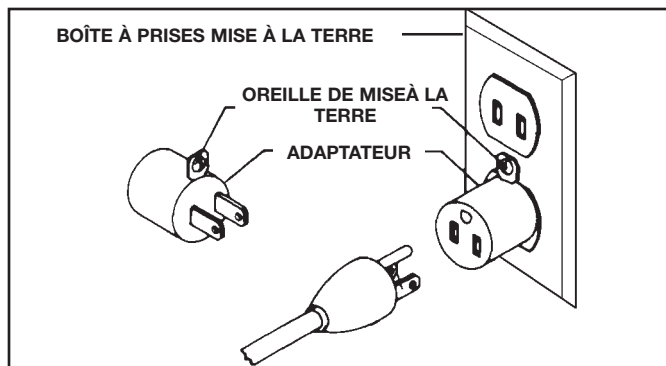


Fig. B

installée de façon adéquate et mise à la terre conformément à tous les codes et règlements locaux.

Ne pas modifier la fiche fournie - si elle ne s'adapte pas à la prise de courant, il faut faire installer une prise de courant convenable par un électricien compétent.

Un mauvais raccordement du conducteur de mise à la terre de l'équipement peut entraîner un risque de décharge électrique. Le conducteur possédant un isolant avec surface extérieure de couleur verte, avec ou sans rayures jaunes, est le conducteur de mise à la terre de l'équipement. Si une réparation ou un remplacement du cordon électrique s'avère nécessaire, ne pas brancher le conducteur de mise à la terre de l'équipement à une borne sous tension.

Consulter un électricien compétent ou le personnel de service après-vente si on ne comprend pas entièrement les instructions de mise à la terre, ou si l'on doute que la machine soit correctement mise à la terre.

Utiliser seulement des cordons prolongateurs à trois fils dotés d'une fiche mise à la terre, à trois broches, et de prises à trois cavités convenant à la fiche de la machine, comme l'illustre la figure A.

Réparer ou remplacer sans délai tout cordon endommagé ou usé.

2. Machines avec cordon mis à la terre prévues pour une utilisation sur une alimentation nominale inférieure à 150 volts:

Si cette machine est prévue pour être utilisée sur un circuit qui comporte une prise semblable à celle illustrée à la figure A, la machine devra comporter une fiche mise à la terre semblable à celle illustrée à la figure A. Un adaptateur temporaire semblable à celui illustré à la figure B, peut être utilisé pour raccorder cette fiche à une prise à deux cavités comme celle illustrée à la figure B, si une prise correctement mise à la terre n'est pas disponible. L'adaptateur temporaire ne doit être utilisé que jusqu'au moment où une prise correctement mise à la terre est installée par un électricien compétent. L'oreille rigide ou autre dispositif semblable de couleur verte, sur le dessus de l'adaptateur, doit être connecté sur une mise à la terre permanente comme, par exemple une boîte à prises correctement mise à la terre. Quand un adaptateur est utilisé, celui-ci doit être retenu en place par une vis en métal.

REMARQUE: Au Canada, le Code canadien de l'électricité ne permet pas l'emploi d'un adaptateur temporaire.

⚠ DANGER : Dans tous les cas, s'assurer que la prise en question est bien mise à la terre. Dans le doute, demander à un électricien compétent de vérifier la prise.

CORDON DE RALLONGE

⚠ AVERTISSEMENT : Employez les cordes appropriées de prolongation. S'assurer que votre corde de prolongation est en bon état. En utilisant une corde de prolongation, soyez sûr d'employer un assez lourd pour porter le courant de la machine. Une corde trop petite causera une baisse dans la tension secteur, ayant pour résultat la perte de puissance et de surchauffe. Fig. D-1, illustre la mesure correcte à employer selon la longueur de corde. En cas de doute, utilisez la prochaine mesure plus lourde. Plus le nombre de mesure est petit, plus la corde est lourde.

MESUR MINIMUM DE CORDE D'EXTENSION			
TAILLES RECOMMANDÉES POUR L'USAGE AVEC STATIONNAIRES ÉLECTRIQUES LES OUTILS			
Estimation père	Volts	Longueur Totale De Corde En Pieds	Mesure De Corde D'Am D'Extension
0-6	120	up to 25	18 AWG
0-6	120	25-50	16 AWG
0-6	120	50-100	16 AWG
0-6	120	100-150	14 AWG
6-10	120	up to 25	18 AWG
6-10	120	25-50	16 AWG
6-10	120	50-100	14 AWG
6-10	120	100-150	12 AWG
10-12	120	up to 25	16 AWG
10-12	120	25-50	16 AWG
10-12	120	50-100	14 AWG
10-12	120	100-150	12 AWG
12-16	120	up to 25	14 AWG
12-16	120	25-50	12 AWG
12-16	120	50 PI PLUS GRANDS QUE NON RECOMMANDÉS	

Fig. D-1

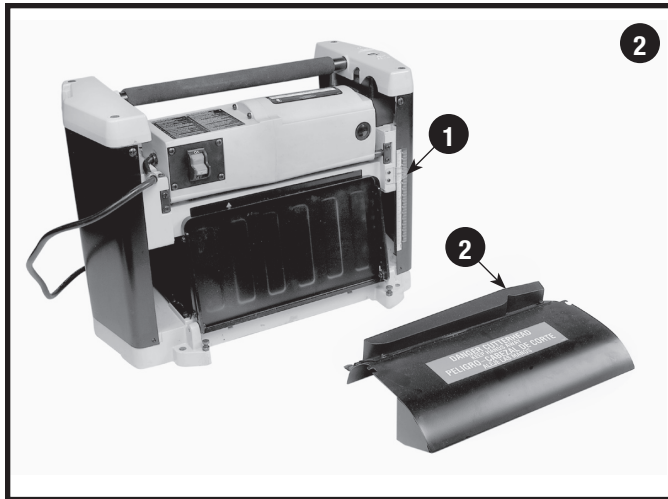
DESCRIPTION FONCTIONNELLE

AVANT-PROPOS

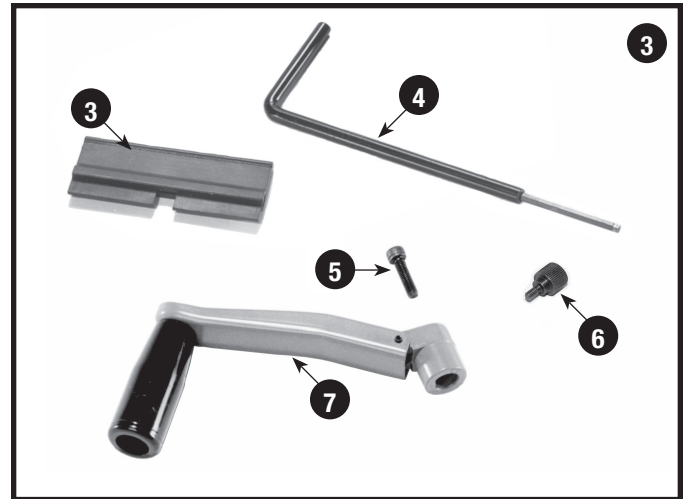
Le modèle PC305TP est une raboteuse portable de 317 mm (12-1/2 po) de large et 152 mm (6 po) d'épaisseur. La profondeur maximale de coupe est de 2,4 mm (3/32 po). Le modèle PC305TP comporte un moteur puissant de 15 A et 120 volts, un organe de coupe à deux fers réversibles à double tranchant, un outil pour l'insertion des fers et une clé.

REMARQUE : La photo de la couverture du mode d'emploi illustre le modèle de production actuel. Les autres illustrations de ce mode d'emploi ne sont présentes qu'à titre indicatif et il est possible que les étiquettes et accessoires actuels diffèrent des caractéristiques réelles de ce modèle. Ces illustrations ont uniquement pour but d'illustrer la technique.

CONTENU DU CARTON



1. Rabot
2. Dispositif de protection des fers



3. Outil de transfert des fers
4. Clé de 5 mm
5. Vis à tête cylindrique à 6 pans creux de M5 x 20 mm
6. (2) Boutons de M5 x 10 mm
7. Poignée de levage

DÉSEMBALLAGE ET NETTOYAGE

Désemballer soigneusement la machine et toutes les pièces de ou des emballage(s) d'expédition. Retirer l'huile anticorrosion des surfaces non peintes à l'aide d'un chiffon doux humidifié avec de l'alcool, du diluant à peinture ou de l'alcool dénaturé.

AVIS: N'utiliser pas de solvants hautement volatils tel l'essence, le naphte, l'acétone ou du diluant à laque pour nettoyer.

Après nettoyage, couvrir les surfaces non peintes d'une cire à parquets d'usage domestique de bonne qualité.

ASSEMBLAGE

⚠ AVERTISSEMENT : Pour réduire le risque de blessures corporelles graves, éteindre l'outil et le débrancher avant d'installer et de retirer tout accessoire, avant d'ajuster ou de modifier les réglages ou lors de réparations. Un démarrage accidentel peut provoquer des blessures.

OUTILS NÉCESSAIRES POUR L'ASSEMBLAGE

- Clé de 5 mm (fournie)

DURÉE ESTIMÉE POUR L'ASSEMBLAGE

L'Assemblée pour cette machine prend une à deux heures.

POIGNÉE DE SOULÈVEMENT ET D'ABAISSMENT

Assembler la poignée de soulèvement et d'abaissement (A) fig. 4 à l'arbre (B) et la fixer en place à l'aide de la vis (C) de M5 x 20 mm. **REMARQUE :** S'assurer que les côtés plats de la poignée et de l'arbre soient alignés. Pivoter la poignée (A) vers le haut comme indiqué à la figure 5.

ABAISSER LES RALLONGES DE TABLE

Les rallonges de table (A) fig. 6 pour l'alimentation et la sortie sont livrées assemblées en position haute sur l'appareil. Abaisser les rallonges (A) fig. 6 de chaque côtés de la raboteuse. La surface supérieure des rallonges devrait être à niveau avec la table de la raboteuse. Pour vérifier et régler, se reporter à la section **Mise À Niveau Des Rallonges De Table** du présent mode d'emploi.

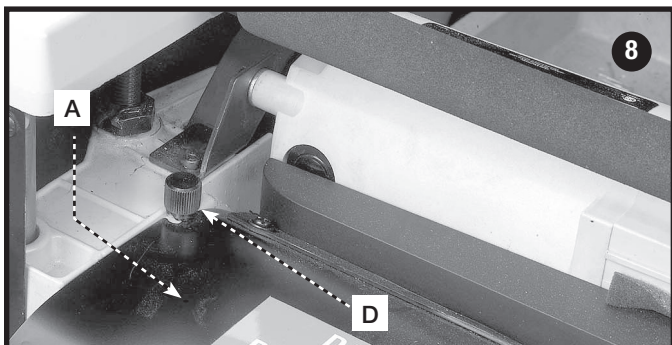
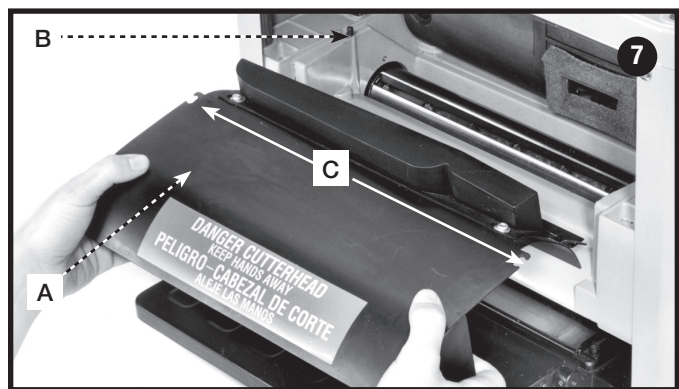
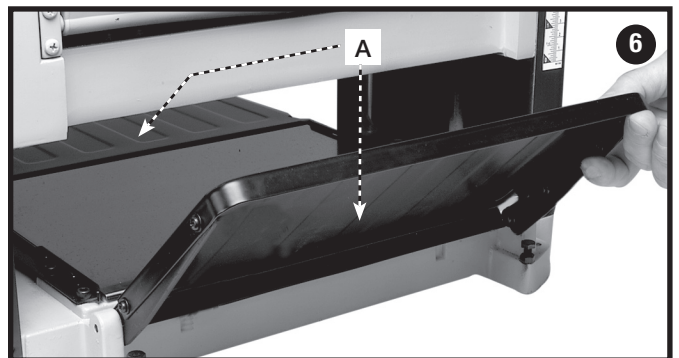
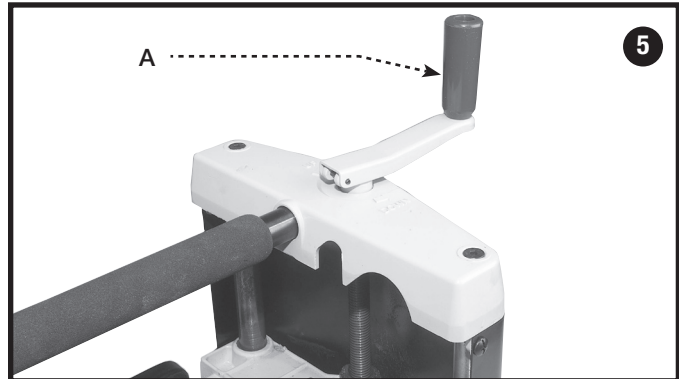
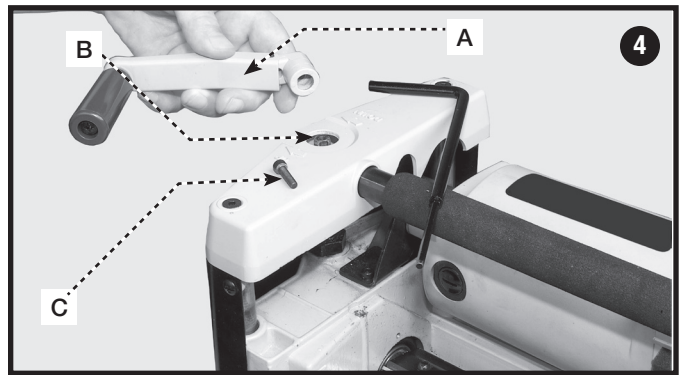
DISPOSITIF DE PROTECTION DES FERS

1. Assembler le dispositif de protection des fers (A) fig. 7 à la raboteuse en insérant l'extrémité du dispositif au-dessus de l'organe de coupe. Placer les rainures du dispositif de protection (C) au-dessus des trous taraudés (B).
2. Fixer le dispositif de protection (A) fig. 8 à la raboteuse à l'aides des deux boutons dont l'un est illustré en (D).

⚠ AVERTISSEMENT : S'assurer que le dispositif de protection des fers soit correctement fixé à l'aide des boutons avant d'utiliser l'appareil.

FIXATION DE LA RABOTEUSE SUR UNE SURFACE DE SUPPORT

En cours de fonctionnement, si la raboteuse a tendance à basculer, à glisser ou à « se déplacer » sur la surface de support, la fixer à celle-ci. Quatre trous (dont deux sont illustrés en A sur la figure 9) sont percés à cet effet.

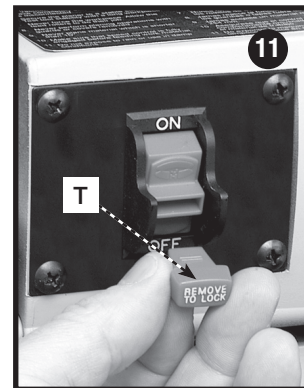
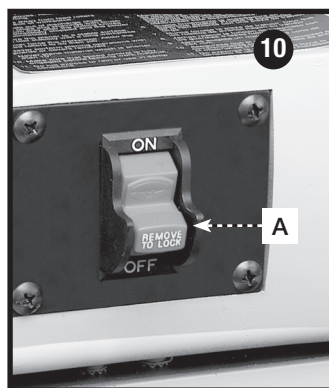


FONCTIONNEMENT

DÉMARRAGE ET ARRÊT DE LA RABOTEUSE

⚠ AVERTISSEMENT : S'assurer que l'interrupteur se trouve sur la position d'arrêt avant de brancher le cordon d'alimentation dans la prise. Ne pas toucher aux lames métalliques de la fiche lors du branchement ou débranchement du cordon.

1. L'interrupteur marche/arrêt (A) fig. 10 est situé à l'avant du moteur de la raboteuse. Pour mettre la raboteuse sous tension ("ON"), déplacer l'interrupteur vers le haut en position de marche ("ON").
2. Pour l'éteindre ("OFF"), déplacer l'interrupteur (A) vers le bas en position d'arrêt.



VERROUILLER L'INTERRUPTEUR EN POSITION D'ARRÊT

IMPORTANT : Lorsque l'outil est inutilisé, l'interrupteur doit être verrouillé en position d'arrêt ("OFF") afin d'empêcher toute utilisation non autorisée. Pour ce faire, saisir la bascule de l'interrupteur (T) fig. 11 et la retirer de l'interrupteur (A). Une fois la bascule de l'interrupteur (T) retirée, l'interrupteur ne fonctionnera pas. Cependant, si la bascule de l'interrupteur est retirée lorsque que la raboteuse fonctionne, il sera possible d'éteindre ("OFF") l'appareil et non de le redémarrer sans réinsérer la bascule de l'interrupteur (T).

⚠ AVERTISSEMENT : En cas de panne d'électricité (telle un disjoncteur désarmé ou un fusible grillé), toujours déplacer l'interrupteur en position d'arrêt ("OFF") jusqu'à ce que l'alimentation soit rétablie.

SOULÈVEMENT ET D'ABAISSMENT DU MODULE DE TÊTE

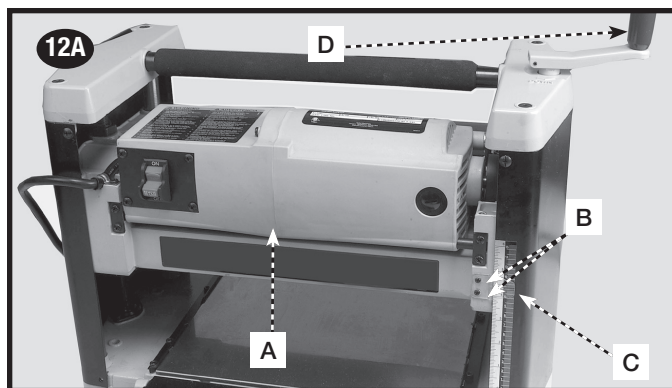
Le module de tête (A) fig. 12A comprend les rouleaux d'alimentation de l'organe de coupe, le dispositif de protection des fers et le moteur. L'abaissement et le soulèvement du module de tête contrôle la profondeur de coupe de la raboteuse. Pour soulever ou abaisser le module, tourner la poignée (D).

REMARQUE : Un tour de la poignée déplacera les fers vers le haut ou le bas d'environ 2 mm (5/64 po).

Une échelle impériale/métrique et un pointeur (C) fig. 12A sont installés sur le devant de la raboteuse pour signaler la hauteur des fers. Acheminer une pièce de bois dans l'appareil pour régler le pointeur. Mesurer l'épaisseur de la pièce et si un réglage s'avère nécessaire, desserrer les deux vis (B) et régler le pointeur convenablement puis serrer les deux vis.

Se reporter à la figure 12B pour les profondeurs de coupe maximales pour diverses largeurs de planches de bois durs et tendres.

AVIS: Un fonctionnement en continu à la profondeur maximale peut provoquer une défaillance prématurée du moteur.

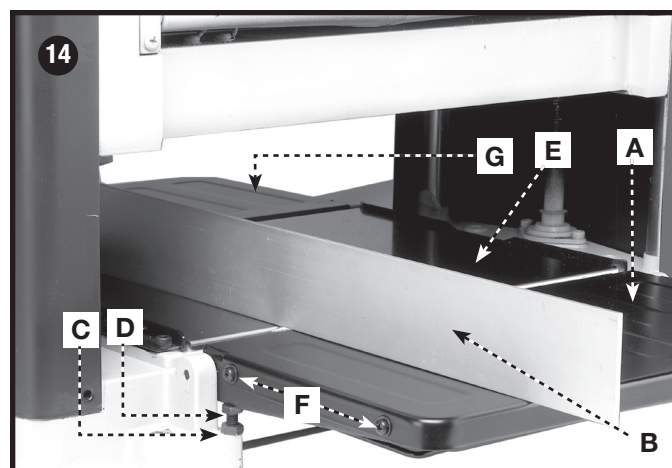


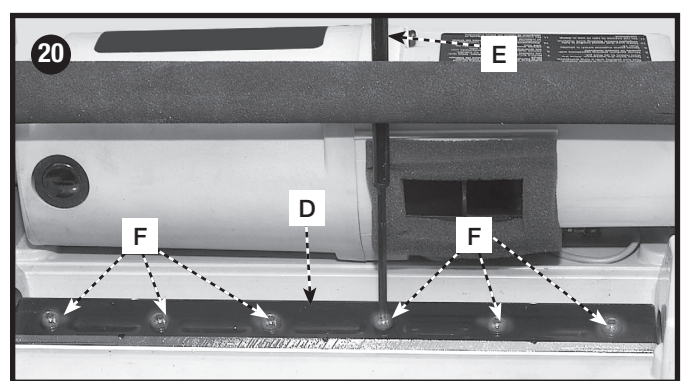
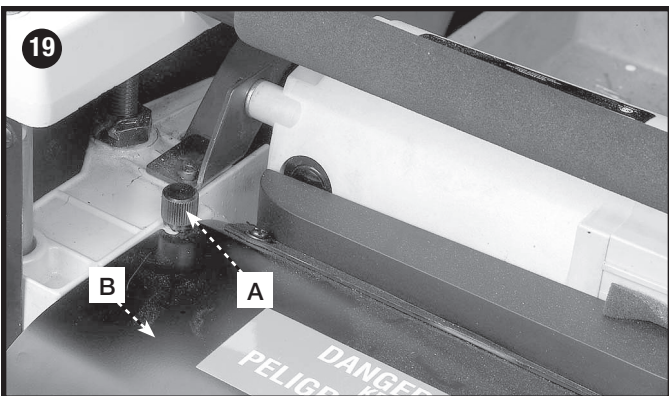
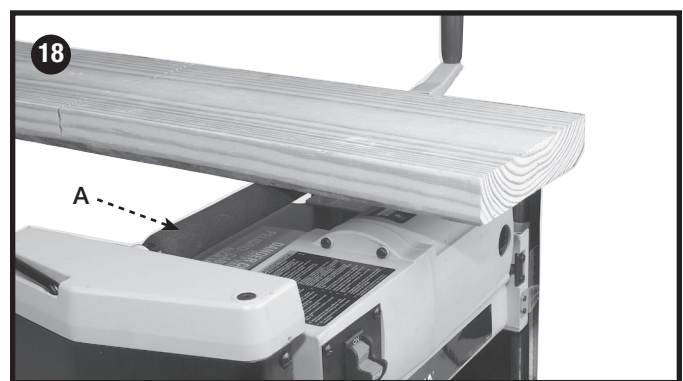
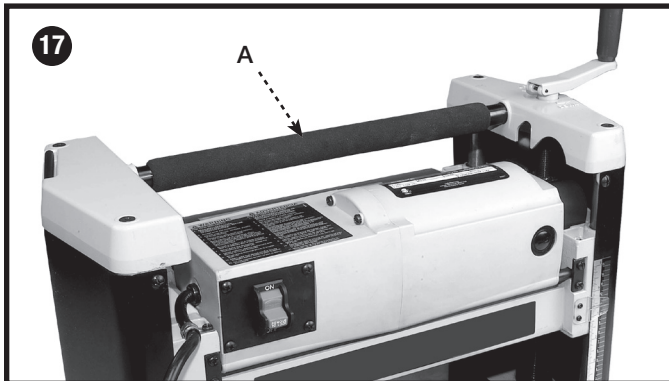
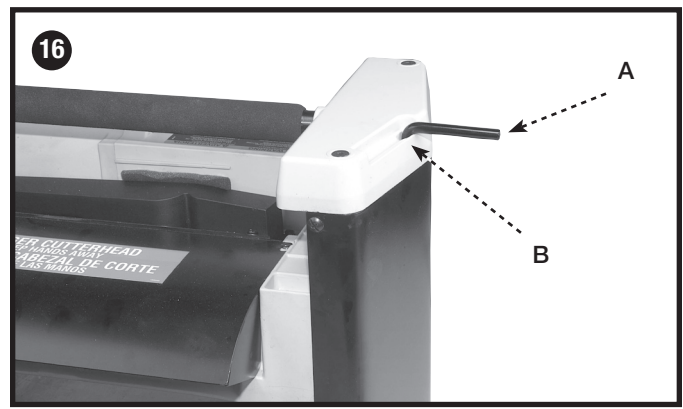
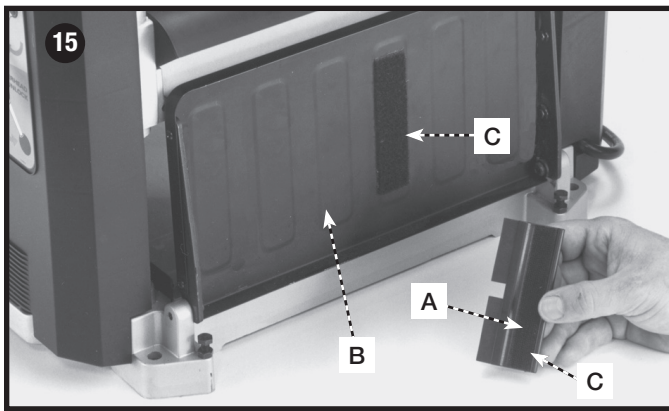
12B Largeur de la planche	Profondeur maximale de coupe	
	Bois tendres	Bois durs
50,8 mm (2 po)	2,4 mm (3/32 po)	2,4 mm (3/32 po)
101,6 mm (4 po)	2,4 mm (3/32 po)	2,4 mm (3/32 po)
152,4 mm (6 po)	2,4 mm (3/32 po)	2,4 mm (3/32 po)
177,8 mm (7 po)	2,4 mm (3/32 po)	2,4 mm (3/32 po)
203,2 mm (8 po)	2,4 mm (3/32 po)	2,4 mm (3/32 po)
228,6 mm (9 po)	2 mm (5/64 po)	1,6 mm (1/16 po)
254 mm (10 po)	1,6 mm (1/16 po)	1,2 mm (3/64 po)
279,4 mm (11 po)	1,6 mm (1/16 po)	1,2 mm (3/64 po)
304,8 mm (12 po)	1,6 mm (1/16 po)	1,2 mm (3/64 po)

MISE À NIVEAU DES RALLONGES DE TABLE

Les rallonges de table (A) et (G) fig. 14 doivent être à niveau avec la table de la raboteuse. Pour vérifier et régler le niveau des rallonges au besoin :

1. Déposer une règle droite (B) fig. 14 sur la table de la raboteuse (E) avec une extrémité dépassant la rallonge de l'alimentation (A). Vérifier si la rallonge de table de l'alimentation est à niveau avec la table de la raboteuse aux deux extrémités de la table de la raboteuse.
2. Au besoin, desserrer le contre-écrou (C) fig. 14 et régler la vis d'arrêt (D) de chaque côté de la table d'alimentation (A) jusqu'à ce que la rallonge de table soit à niveau avec la table de la raboteuse (E). Serrer le contre-écrou (C). Revérifier et s'assurer que le bord interne de la rallonge est à niveau avec la table de la raboteuse. Au besoin, desserrer les deux vis (F), régler la rallonge et resserrer les deux vis (F). Mettre à niveau la rallonge du côté opposé suivant la même procédure. S'assurer que la rallonge de la table soit solidement appuyée lors de l'application d'une pression vers le bas.
3. Vérifier et régler la rallonge de la table de sortie (G) de la même façon.





RANGEMENT DE L'OUTIL DE TRANSFERT DU FER

L'outil de transfert du fer (A) fig.15 fourni avec la raboteuse se range facilement sous la rallonge de la table de sortie (B) lorsque inutilisé. À cet effet, une bande velcro (C) est collée sur l'outil et sous la rallonge.

RANGEMENT DE LA CLÉ

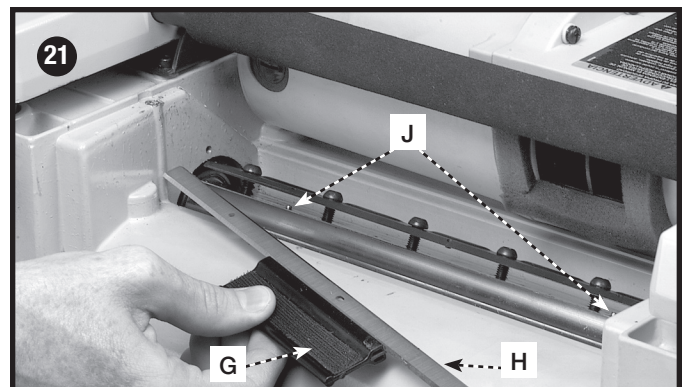
La clé (A) fig. 16 se range dans le trou (B) situé du côté arrière droit de l'appareil comme indiqué.

POIGNÉE DE TRANSPORT/BARRE DE TRANSFERT DE MATÉRIAU

1. La raboteuse est livrée avec une poignée de transport gainée de mousse (A) fig. 17 installée sur le dessus de l'appareil, pour en faciliter le transport.
2. La poignée (A) fig. 18 sert aussi de barre de transfert pour transporter la pièce, de la sortie à l'alimentation de l'appareil. L'accessoire est pratique lors du dégauchissement de longues pièces. Il facilite l'acheminement répété de la pièce dans l'alimentation de l'appareil pour des passages supplémentaires.

REPLACEMENT DES FERS

Les fers réversibles livrés avec la raboteuse comportent un double tranchant qui permet d'inverser le fer lorsqu'un bord s'é mousse ou d'un morceau éclate. Procéder comme suit pour remplacer les fers :

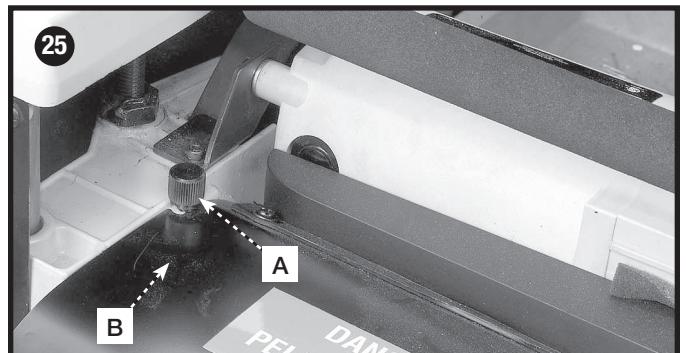
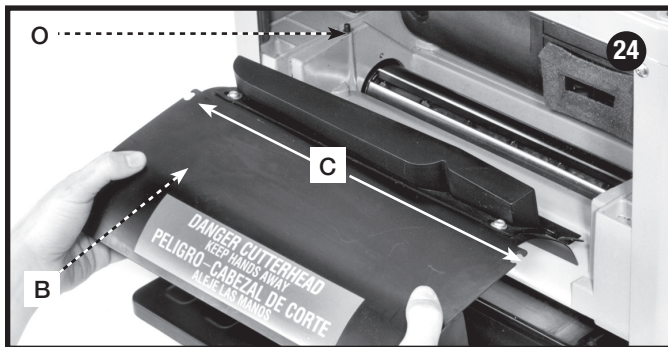
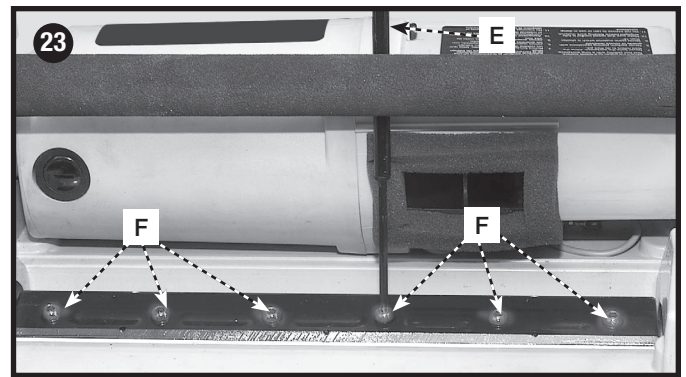
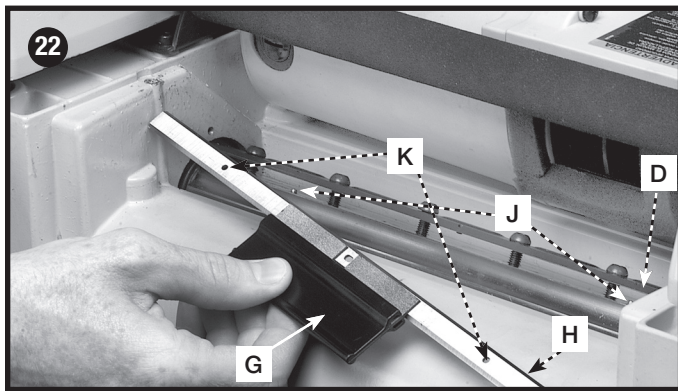


⚠ AVERTISSEMENT : Débrancher l'appareil de la source d'alimentation.

1. Élever entièrement le module de tête.
2. Déposer le dispositif de protection des fers (B) fig. 19 en retirant les deux boutons dont l'un est illustré en (A).

⚠ AVERTISSEMENT : Les fers sont aiguisés. Être prudent lors du retrait, de la manipulation ou de l'insertion des fers.

3. À l'aide de la clé fournie (E) fig. 20, desserrer les six vis en (F) jusqu'à ce que la barre de blocage (D) décolle du fer et permette le retrait de celui-ci.

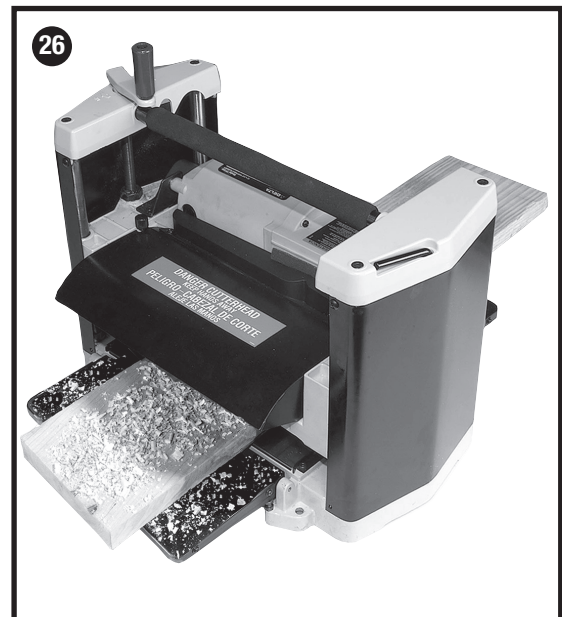


4. Insérer l'outil de transfert du fer (G) fig. 21 au centre, sous le fer. Soulever l'outil jusqu'à ce que le fer (H) sorte des tenons (J). Tirer et retirer le fer comme indiqué. **REMARQUE :** L'outil de transfert du fer est magnétique et colle au fer.
5. Inverser le fer (H) fig. 22 de bout en bout ou utiliser un nouveau fer. Placer l'outil de transfert du fer (G) sur le dessus de celui-ci comme indiqué. Le côté biseauté vers le haut, insérer le fer sous la barre de blocage (D). S'assurer que les tenons (J) de la barre s'insèrent dans les trous (K) du fer.
6. Retirer l'outil de transfert et serrer les six vis (F) fig 23 à l'aide de la clé (E) fournie.
7. Remplacer l'autre fer en l'inversant de bout en bout et répéter les ÉTAPES 3 À 6.
8. Assembler le dispositif de protection des fers (B) fig. 24 à la raboteuse en insérant l'extrémité du dispositif au-dessus de l'organe de coupe. Placer les rainures du dispositif de protection (C) au-dessus des trous taraudés (O). Fixer le dispositif de protection (B) fig. 25 à la raboteuse à l'aides des deux boutons dont l'un est illustré en (A) fig. 25.

UTILISATIONS

Pour optimiser les résultats lors de l'utilisation de l'appareil, suivre les quelques étapes simples ci-dessous.

1. **Dresser un côté** – Acheminer l'une des faces de la planche sur la dégauchisseuse, retirer une mince couche à chaque passage jusqu'à l'obtention d'une surface complète plane.
2. **Aplanir à l'épaisseur souhaitée** – Placer le côté dégauchi à l'ÉTAPE 1 face vers le bas et acheminer la planche dans la raboteuse (fig. 26). Raboter jusqu'à l'obtention d'un côté plan puis raboter les deux côtés de la planche jusqu'à l'obtention de l'épaisseur recherchée. Effectuer des coupes minces et alterner les côtés à chaque passage. Si en cours d'opération, la planche se tord, se voile ou s'arque, répéter l'ÉTAPE 1 et dégauchir une des faces.
3. Lors du rabotage de longue pièce, installer les rallonges de la table pour appuyer la pièce à l'alimentation et à la sortie.

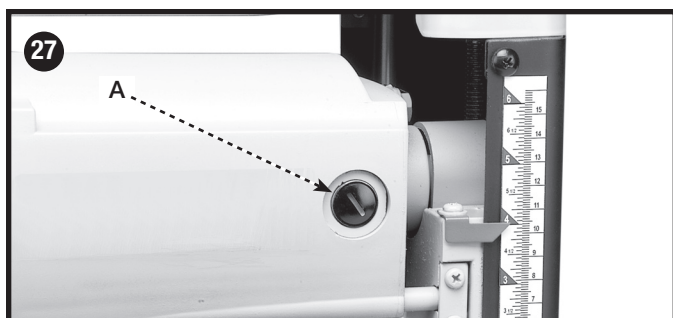


4. maintenir propre la table de la raboteuse. De temps en temps, cirer la surface de la table pour réduire la friction lors du rabotage.
5. **Tronçonnage à la longueur finale** – Tronçonner le bois de construction à la longueur finale.

⚠ ATTENTION Les fers de la raboteuse ne s'useront pas également si le bois est acheminé au même endroit de la table à chaque passage. Acheminer le bois dans la raboteuse à divers endroits de la table pour aider l'usure uniforme des fers.

DEPANNAGE

Pour l'assistance avec votre outil, visiter notre site web à www.portercable.com pour une liste de centres de maintenance ou appeler la ligne d'aide à 1-800-848-5175.



ENTRETIEN

⚠ AVERTISSEMENT : Pour réduire le risque de blessures corporelles graves, éteindre l'outil et le débrancher avant d'installer et de retirer tout accessoire, avant d'ajuster ou de modifier les réglages ou lors de réparations. Un démarrage accidentel peut provoquer des blessures.

GARDER LA MACHINE PROPRE

Dégager régulièrement toutes les conduites d'air avec de l'air comprimé sec. Toutes les pièces en plastique doivent être nettoyées à l'aide d'un chiffon doux humide. NE JAMAIS utiliser de solvants pour nettoyer les pièces en plastique. Les solvants peuvent dissoudre ou endommager le matériel.

⚠ AVERTISSEMENT : Porter des protections oculaire et auditive homologuées et utiliser un appareil respiratoire lors de l'utilisation d'air comprimé.

DÉMARRAGE IMPOSSIBLE

Si la machine ne démarre pas, s'assurer que les lames de la fiche du cordon d'alimentation sont bien enfoncées dans la prise de courant. Vérifier également que les fusibles ne sont pas grillés ou que le disjoncteur ne s'est pas déclenché.

LUBRIFICATION ET PROTECTION CONTRE LA ROUILLE

Appliquer chaque semaine une cire à parquets d'usage domestique sur la table de la machine, sur la rallonge de table ou toute autre surface de travail. Ou utiliser un produit protecteur commercial conçu à cet effet. Suivre les directives du fabricant pour l'utilisation et la sécurité.

INSPECTION ET REMPLACEMENT DE LA BROSSSE

⚠ AVERTISSEMENT : Débrancher l'appareil de la source d'alimentation.

La durée de vie de la brosse est variable. Elle dépend de la charge du moteur. Vérifier les brosses après les 50 premières heures d'utilisation d'un nouvel appareil, ou après 50 heures d'utilisation de nouvelles brosses. Une fois la première vérification effectuée, examiner les brosses après environ 10 heures d'utilisation, et ce jusqu'à ce qu'un remplacement soit nécessaire.

Les portes-brosses, dont l'un est illustré en (A) fig. 27, sont situés dans le boîtier moteur, l'un face à l'autre. Une des brosses, retirées pour l'inspection, est montrée à la figure 28. Lorsque le carbone d'une brosse (B) fig. 28 est usé de 4,7 mm (3/16 po) en longueur ou lorsqu'un ressort (C) ou un fil de dérivation est brûlé ou endommagé de quelque façon que ce soit, remplacer les deux brosses.

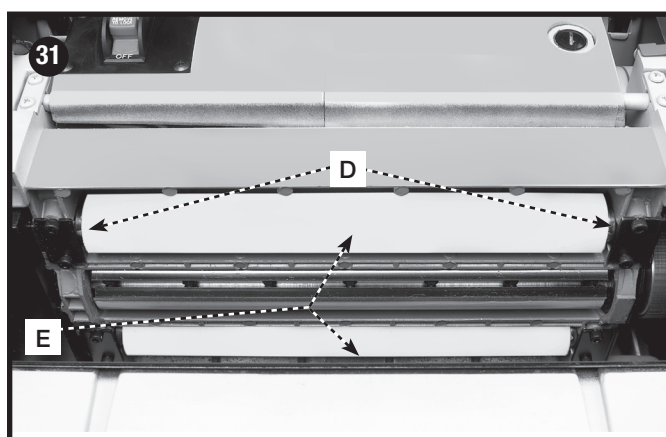
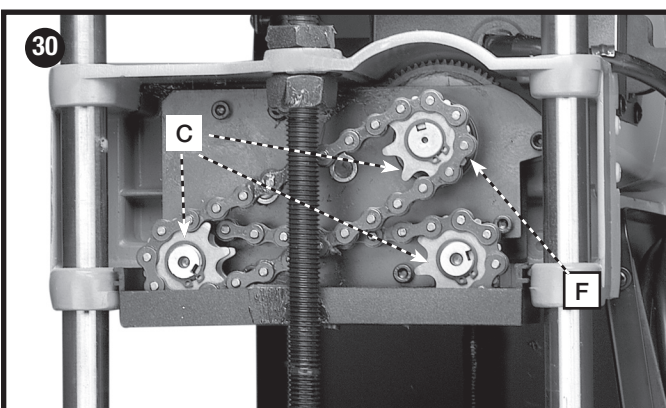
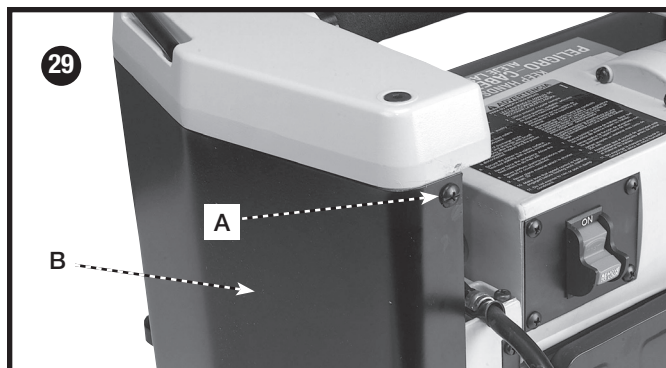
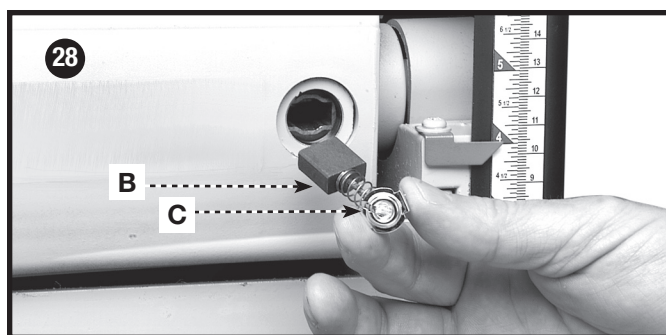
Si, après avoir retiré les brosses, il apparaît qu'elles sont encore utilisables, les réinstaller dans les mêmes positions.

⚠ AVERTISSEMENT : Une fois l'entretien des brosses terminé, réinstaller le dispositif de protection des fers avant le démarrage de la raboteuse.

LUBRIFICATION

Lubrifier périodiquement les engrenages de la boîte des avances et les douilles des rouleaux d'alimentation.

⚠ AVERTISSEMENT : Débrancher l'appareil de la source d'alimentation.



1. Déposer la vis (A) fig. 29 et l'écrou situé à l'autre extrémité. Déposer le panneau latéral (B) de la raboteuse du côté gauche de celle-ci.
2. Appliquer une mince couche de graisse polyvalente EP sur les dents des engrenages (C) fig. 30 et vaporiser une mince couche de lubrifiant sur les chaînes (F). Remettre le panneau latéral.
3. Mettre la raboteuse sur le dos et huiler les douilles des rouleaux d'alimentation (D) fig. 31 à chaque extrémités de ceux-ci (E).
4. Remplacez la panneau latérale.

SERVICE

PIÈCES DE RECHANGE

Utiliser seulement des pièces de rechange identiques. Pour obtenir une liste des pièces de rechange ou pour en commander, consulter le site Web www.portercable.com. Il est également possible de commander des pièces au centre de réparation de l'usine PORTER-CABLE et au centre de réparation sous garantie autorisé PORTER-CABLE le plus près. Ou composer le 1-888-848-5175 pour le service à la clientèle.

ENTRETIEN ET RÉPARATION

Ce produit n'est pas réparable par l'utilisateur. Aucune pièce à l'intérieur du chargeur ne peut être réparée par l'utilisateur. Pour éviter tout dommage aux composants internes sensibles à l'électricité statique, faire effectuer toute réparation par un centre de réparation autorisé. Pour de plus amples renseignements à propos de PORTER-CABLE, ses centres de réparation en usine ou ses centres de réparation sous garantie autorisés, visiter notre site Web au www.portercable.com ou communiquer avec notre centre de service à la clientèle en composant le 888-848-5175. Toutes les réparations effectuées dans nos centres de réparation sont entièrement garanties contre les défauts de matériaux et de main-d'oeuvre. Nous ne pouvons pas garantir les réparations effectuées en partie ou totalement par d'autres.

Pour de plus amples renseignements par courrier, écrire à PORTER-CABLE, 4825 Highway 45 North, Jackson, Tennessee 38305, (888) 848-5175, É.-U. - à l'attention de : Product Service. S'assurer d'indiquer toutes les informations figurant sur la plaque signalétique de l'outil (numéro du modèle, type, numéro de série, etc.).

ACCESSOIRES

⚠ AVERTISSEMENT : Puisque les accessoires autres que ceux offerts par PORTER-CABLE n'ont pas été testés avec ce produit, l'utilisation de ceux-ci pourrait s'avérer dangereux. Pour un fonctionnement en toute sécurité, utiliser seulement les accessoires recommandés PORTER-CABLE avec le produit.

Une gamme complète d'accessoires est disponible auprès de votre fournisseur PORTER-CABLE, centres de réparation de l'usine PORTER-CABLE et centres de réparation agréés PORTER-CABLE. Veuillez consulter le site Web www.portercable.com pour un catalogue ou le nom du fournisseur le plus près de chez vous.

GARANTIE LIMITÉE DE TROIS ANS

PORTER-CABLE réparera ou remplacera gratuitement tous les outils défectueux présentant des défauts de matériau ou de fabrication pendant trois ans à compter de la date d'achat [garantie de deux ans pour les blocs-piles]. Cette garantie ne couvre pas des défaillances de pièce dues à une usure normale ou à une mauvaise utilisation de l'outil. Pour plus de détails relatifs à la couverture de la garantie et aux réparations sous garantie, visiter le site www.portercable.com ou composer le 888-848-5175. Cette garantie ne s'applique pas aux accessoires ni aux dommages causés par des réparations réalisées ou tentées par des tiers. Cette garantie vous accorde des droits légaux spécifiques et il est possible que vous ayez d'autres droits qui varient d'un État ou d'une province à l'autre.

En plus de la garantie, les outils PORTER-CABLE sont couverts par notre :

SERVICE D'ENTRETIEN GRATUIT D'UN (1) AN : PORTER-CABLE entretiendra l'outil et remplacera les pièces usées par une utilisation normale, et ce, gratuitement et à tout instant pendant la première année à compter de la date d'achat.

GARANTIE DE REMBOURSEMENT DE 90 JOURS : Si l'utilisateur n'est pas entièrement satisfait des performances de son outil électrique PORTER-CABLE pour une raison quelconque, il peut le retourner accompagné du reçu dans les 90 jours suivant la date d'achat, et nous le lui rembourserons entièrement - sans poser de question.

AMÉRIQUE LATINE : cette garantie ne s'applique pas aux produits vendus en Amérique latine. Pour ceux-ci, veuillez consulter les informations relatives à la garantie spécifique présente dans l'emballage, appeler l'entreprise locale ou consulter le site Web pour les informations relatives à cette garantie.

Pour enregistrer l'outil en vue d'obtenir un service de garantie, consulter notre site Web au www.portercable.com.

REMPACEMENT DES ÉTIQUETTES D'AVERTISSEMENT

Si vos étiquettes d'avertissement sont illisibles ou manquantes, contactez le 888-848-5175 pour en obtenir le remplacement gratuit.

⚠ WARNING

**LACERATION
HAZARD.**

**KEEP HANDS AWAY
FROM OUTLET.**

⚠ ADVERTENCIA

**PELIGRO DE
LACERACIÓN.**

**MANTENGA LAS MANOS
LEJOS DEL TOMACORRIENTE.**

⚠ AVERTISSEMENT

**RISQUE DE
LACÉRATION.**

**ÉLOIGNER LES MAINS
DU PORT DE SORTIE.**

⚠ WARNING TO REDUCE THE RISK OF INJURY USER MUST READ THE INSTRUCTION MANUAL BEFORE OPERATING PLANER. ALWAYS WEAR PROPER EYE AND RESPIRATORY PROTECTION. WHEN OPERATING THIS TOOL, DO NOT WEAR GLOVES, NECKTIES, JEWELRY, LOOSE CLOTHING OR LONG HAIR. **FINCH HAZARD.** KEEP HANDS AWAY FROM FEED ROLLERS OR TOP SURFACE OF WORKPIECE. **LACERATION HAZARD.** KEEP HANDS OUT OF DISCHARGE CHUTE, REMOVE CHIPS AND SHAVINGS WITH BRUSH OR VACUUM ONLY AFTER THE CUTTING KNIVES HAVE COMPLETELY STOPPED AND THE POWER IS DISCONNECTED. NEVER PERFORM PLANING OPERATIONS WITH GUARDS OR COVERS REMOVED. SECURE THE PLANER TO A STABLE SURFACE. TEST TOOL STABILITY WITH A LONG WORKPIECE. **KICKBACK HAZARD.** NEVER FORCE THE WORKPIECE. ALLOW THE FEED ROLLERS TO DO THEIR JOB. NEVER PLANE MATERIAL WHICH IS SHORTER THAN 10 INCHES (254 MM). MAKE SURE THAT SPEED CONTROL IS FULLY ENGAGED BEFORE FEEDING WORK MATERIAL. **SHOCK HAZARD.** DO NOT EXPOSE TO RAIN OR USE IN DAMP LOCATIONS.

⚠ ADVERTENCIA PARA REDUCIR EL RIESGO DE LESIONES, EL USUARIO DEBE LEER SIEMPRE UTILICE PROTECCIÓN ADECUADA PARA LOS OJOS Y VÍAS RESPIRATORIAS, CUANDO OPERE ESTA HERRAMIENTA. NO UTILICE GANTES, CORBATAS, JOYAS, ROPA HULGADA NI EL CABELLO LARGO SUELTO. **RIESGO DE PELIGRO.** MANTENGA LAS MANOS ALEJADAS DE LOS RODILLOS DE AVANCE O DE LA SUPERFICIE SUPERIOR DE LA PIEZA DE TRABAJO. **PELIGRO DE LACERACIÓN.** MANTENGA LAS MANOS FUERA DEL CONDUCTO DE DESCARGA. RETIRE LAS ASTILLAS O LOS RECORTES CON UN CEPILLO O ASPIRADORA SÓLO DESPUÉS DE QUE LAS CUCHILLAS DE CORTE SE HAYAN DETENIDO POR COMPLETO Y SE HAYA DESCONECTADO LA ENERGÍA. NUNCA REALICE OPERACIONES DE CEPILADO SIN LAS GUARDIAS O LAS TAPAS. ASEGURE LA CEPILADORA A UNA SUPERFICIE ESTABLE. PRUEBE LA ESTABILIDAD DE LA HERRAMIENTA CON UNA PIEZA DE TRABAJO LARGA. **RIESGO DURANTE EL RETROCESO.** NUNCA FUERCE LA HERRAMIENTA DE TRABAJO. PERMITA QUE LOS RODILLOS DE AVANCE HAGAN SU TRABAJO. NUNCA CEPILLE EL MATERIAL MÁS CORTO QUE 254 MM (10 PULG). ASEGURESE DE QUE EL CONTROL DE VELOCIDAD ESTE TRABAJANDO POR COMPLETO ANTES DE INTRODUCIR EL MATERIAL DE TRABAJO. **RIESGO DE DESCARGA ELÉCTRICA.** NO EXPOGA A LA LLUVIA NI UTILICE EN LUGARES HÚMEDOS.

⚠ AVERTISSEMENT L'UTILISATEUR DOIT LIRE LE MODE D'EMPLOI AVANT D'UTILISER LA RABOTEUSE AFIN DE RÉDUIRE LE RISQUE DE BLESSURE. TOUJOURS PORTER UNE PROTECTION OCULAIRE ET RESPIRATOIRE ADEQUATE. NE PAS PORTER DE GANTS, NI CRAVATES, NI BIJOUX OU VÊTEMENTS AMPLES ET COUVRIR LES CHEVEUX LONGS LORS DE L'UTILISATION DE L'OUTIL. **RISQUE DE PENCEMENT.** ÉLOIGNER LES MAINS DES ROULEAUX D'ALIMENTATION OU DE LA SURFACE SUPÉRIEURE DE LA PIÈCE. **RISQUE DE LACÉRATION.** ÉLOIGNER LES MAINS DE LA GOÛLOTTE D'ÉVACUATION. À L'ARRÊT D'UNE BRÛSSE OU D'UN ASPRATEUR, RETENIR LES COFFRES ET RABOTEURS UNIQUEMENT APRÈS L'ARRÊT COMPLET DES LAMES ET LE DÉBRANCHEMENT DE L'OUTIL. NE JAMAIS RABOTER SANS LES DISPOSITIFS DE PROTECTION OU LES COUVERCLES EN PLACE. FIXER LA RABOTEUSE À UNE SURFACE STABLE. TESTER LA STABILITÉ DE L'OUTIL AVEC UNE LONGUE PIÈCE. **RISQUE DE REBOND.** NE JAMAIS FORCER L'AVANCEMENT DE LA PIÈCE. LASSER AUX ROULEAUX D'ALIMENTATION LE SON D'EFFETUER L'AVANCEMENT. NE JAMAIS RABOTER DE PIÈCES PLUS COURTES QUE 254 MM (10 PO). S'ASSURER QUE LA COMMANDE DE VITESSE SOIT BIEN ENCLENCHÉE AVANT D'AVANCER LA PIÈCE. **RISQUE DE CHOC ÉLECTRIQUE.** NE PAS L'EXPOSER À LA PLUIE ET NE PAS L'UTILISER DANS UN ENDROIT HUMIDE.

INSTRUCCIONES DE SEGURIDAD IMPORTANTES

▲ ADVERTENCIA: Lea y entienda todas advertencias y las instrucciones operadoras antes de utilizar cualquier instrumento o el equipo. Cuando se usa instrumentos o equipo, las precauciones básicas de la seguridad siempre se deben seguir para reducir el riesgo de la herida personal. La operación impropia, la conservación o la modificación de instrumentos o equipo podrían tener como resultado el daño grave de la herida y la propiedad. Hay ciertas aplicaciones para que equipas con herramienta y el equipo se diseña. PORTER-CABLE recomienda totalmente que este producto no sea modificado y/o utilizado para ninguna aplicación de otra manera que para que se diseñó.



PAUTAS DE SEGURIDAD/DEFINICIONES

Es importante para usted leer y entender este manual. La información que lo contiene relaciona a proteger SU SEGURIDAD y PREVENIR los PROBLEMAS. Los símbolos debajo de son utilizados para ayudarlo a reconocer esta información.

▲ PELIGRO: indica una situación de peligro inminente que, si no se evita, **provocará la muerte o lesiones graves.**

▲ ADVERTENCIA: indica una situación de peligro potencial que, si no se evita, **podría provocar la muerte o lesiones graves.**

▲ ATENCIÓN: indica una situación de peligro potencial que, si no se evita, **puede provocar lesiones leves o moderadas.**

AVISO: se refiere a una práctica **no relacionada a lesiones corporales** que de no evitarse **puede resultar en daños a la propiedad.**

NORMAS GENERALES DE SEGURIDAD

▲ ADVERTENCIA: Si no se siguen estas normas, el resultado podría ser lesiones graves.

- 1. Para su propia seguridad, lea el manual de instrucciones antes de utilizar la máquina.** Al aprender la aplicación, las limitaciones y los peligros específicos de la máquina, se minimizará enormemente la posibilidad de accidentes y lesiones.
- 2. Use protección de los ojos y de la audición.** Use siempre anteojos de seguridad. Los lentes de uso diario no son anteojos de seguridad. Use equipo de seguridad certificado. El equipo de protección de los ojos debe cumplir con las normas ANSI Z87.1. El equipo de protección de la audición debe cumplir con las normas ANSI S3.19.
- 3. Use indumentaria adecuada.** No use ropa holgada, guantes, corbatas, anillos, pulseras u otras joyas que podrían engancharse en las piezas móviles. Se recomienda usar calzado antideslizante. Use una cubierta protectora del pelo para sujetar el pelo largo.
- 4. No utilice la máquina en un entorno peligroso.** La utilización de herramientas mecánicas en lugares húmedos o mojados, o en la lluvia, puede causar descargas eléctricas o electrocución. Mantenga bien iluminada el área de trabajo para evitar tropezar o poner en peligro los brazos, las manos y los dedos.
- 5. No opere herramientas eléctricas cerca de líquidos inflamables o en atmósferas gaseosas o explosivas.** Los motores e interruptores de estas herramientas originan chispas que pueden encender los vapores.
- 6. Mantenga todas las herramientas y máquinas en condiciones óptimas.** Mantenga las herramientas afiladas y limpias para lograr el mejor y más seguro rendimiento. Siga las instrucciones de lubricación y cambio de accesorios. Las herramientas y las máquinas mal mantenidas pueden dañar más la herramienta o la máquina y/o causar lesiones.
- 7. Compruebe si hay piezas dañadas.** Antes de utilizar la máquina, compruebe si hay piezas dañadas. Compruebe la alineación de las piezas móviles, si las piezas móviles se atascan, si hay piezas rotas y toda otra situación que podría afectar su funcionamiento. Un protector o cualquier otra pieza que presente daños debe repararse o reemplazarse apropiadamente con PORTER-CABLE o la fábrica autorizó piezas de recambio. Las piezas dañadas pueden causar daños adicionales a la máquina y/o lesiones.
- 8. Mantenga limpia el área de trabajo.** Las áreas y los bancos desordenados invitan a que se produzcan accidentes.
- 9. Mantenga alejados a los niños y a los visitantes.** El taller es un entorno potencialmente peligroso. Los niños y los visitantes pueden sufrir lesiones.
- 10. Reduzca el riesgo de un arranque no intencionado.** Asegúrese de que el interruptor esté en la posición de "APAGADO" ("OFF") antes de enchufar el cable de alimentación. En caso de un apagón, mueva el interruptor a la posición de "APAGADO" ("OFF"). Un arranque accidental podría causar lesiones.
- 11. Utilice los protectores.** Asegúrese de que todos los protectores estén colocados en su sitio, sujetos firmemente y funcionando correctamente para prevenir lesiones.
- 12. Quite las llaves de ajuste y de tuerca antes de arrancar la máquina.** Las herramientas, los pedazos de desecho y otros residuos pueden salir despedidos a alta velocidad, causando lesiones.
- 13. Utilice la máquina adecuada.** No fuerce una máquina o un aditamento a hacer un trabajo para el que no se diseñó. El resultado podría ser daños a la máquina y/o lesiones.
- 14. Utilice accesorios recomendados.** La utilización de accesorios y aditamentos no recomendados por PORTER-CABLE podría causar daños a la máquina o lesiones al usuario.
- 15. Utilice el cordón de extensión adecuado.** Asegúrese de que el cordón de extensión esté en buenas condiciones. Cuando utilice un cordón de extensión, asegúrese de utilizar un cordón que sea lo suficientemente pesado como para llevar la corriente que su producto tome. Un cordón de tamaño insuficiente causará una caída de la tensión de la línea, lo cual producirá una pérdida de potencia y recalentamiento. Consulte el **Cuadro de Cordones de Extensión** para obtener el tamaño correcto dependiendo de la longitud del cordón y la capacidad nominal en amperios indicada en la placa de especificaciones. En caso de duda, utilice el próximo calibre más grueso. Cuanto más pequeño sea el número de calibre, más pesado será el cordón.
- 16. Sujete firmemente la pieza de trabajo.** Utilice abrazaderas o un tornillo para sostener el objeto cuando es práctico. La pérdida de control de un objeto puede causar lesión.
- 17. Haga avanzar la pieza de trabajo contra el sentido de rotación de la hoja, el cortador o la superficie abrasiva.** Si la hace avanzar desde el otro sentido, el resultado será que la pieza de trabajo salga despedida a alta velocidad.
- 18. No fuerce la pieza de trabajo sobre la máquina.** El resultado podría ser daños a la máquina y/o lesiones.

19. **No intente alcanzar demasiado lejos.** Una pérdida del equilibrio puede hacerle caer en una máquina en funcionamiento, causándole lesiones.
20. **No se suba nunca a la máquina.** Se podrían producir lesiones si la herramienta se inclina o si usted hace contacto accidentalmente con la herramienta de corte.
21. **No deje nunca desatendida la máquina cuando esté en marcha.** Apáguela. No deje la máquina hasta que ésta se detenga por completo. Un niño o un visitante podría resultar lesionado.
22. **Apague la máquina ("OFF") y desconéctela de la fuente de alimentación antes de instalar o quitar los accesorios, cambiar las cuchillas, o ajustar o cambiar las configuraciones.** Cuando haga reparaciones, asegúrese de mover el interruptor a la posición de apagado ("OFF"). Un arranque accidental podría causar lesiones.
23. **Haga su taller a prueba de niños con candados e interruptores maestros o quitando las llaves de arranque.** El arranque accidental de una máquina por un niño o un visitante podría causar lesiones.
24. **Manténgase alerta, fíjese en lo que está haciendo y use el sentido común.** No utilice la máquina cuando esté

cansado o bajo la influencia de drogas, alcohol o medicamentos. Un momento de distracción mientras se estén utilizando herramientas mecánicas podría causar lesiones.

25. **▲ ADVERTENCIA:** El uso de esta herramienta puede generar y dispersar polvo u otras partículas suspendidas en el aire, incluyendo polvo de madera, polvo de sílice cristalina y polvo de asbesto. Dirija las partículas de modo que se alejen de la cara y del cuerpo. Utilice siempre la herramienta en un área bien ventilada y proporcione un medio apropiado de remoción de polvo. Use un sistema de recolección de polvo en todos los lugares donde sea posible. La exposición al polvo puede causar lesiones respiratorias graves y permanentes u otras lesiones graves y permanentes, incluyendo silicosis (una enfermedad pulmonar grave), cáncer y muerte. Evite aspirar el polvo y evite el contacto prolongado con el polvo. Si se permite que el polvo entre en la boca o en los ojos, o que se deposite en la piel, se puede promover la absorción de material nocivo. Use siempre protección respiratoria aprobada por NIOSH/OSHA que se ajuste apropiadamente y sea adecuada para la exposición al polvo, y lávese las áreas expuestas con agua y jabón.

NORMAS ESPECÍFICAS ADICIONALES DE SEGURIDAD

▲ ADVERTENCIA: Si no se siguen estas normas, el resultado podría ser lesiones personales graves.

1. **No utilice esta máquina** hasta que esté completamente montada e instalada de acuerdo con las instrucciones. Una máquina montada incorrectamente puede causar lesiones graves.
2. **Obtenga asesoramiento** de su supervisor, su instructor u otra persona calificada si no está bien familiarizado con la utilización de esta máquina. El conocimiento es seguridad.
3. **Siga todos los códigos de cableado** y las conexiones eléctricas recomendadas para evitar las descargas eléctricas o la electrocución.
4. **Mantenga las cuchillas afiladas** y libres de óxido y resina. Las cuchillas desafiladas u oxidadas trabajan más duro y pueden causar retroceso.
5. **No encienda nunca la máquina** antes de limpiar la mesa para quitar de ella todos los objetos (herramientas, desechos de madera, etc.). Los residuos que salgan despedidos pueden causar lesiones graves.
6. **No encienda nunca la máquina** con la pieza de trabajo en contacto con el cabezal portacuchillas. Se puede producir retroceso.
7. **Sujete firmemente la máquina a una superficie de soporte** para evitar que la máquina se deslice, se desplace o vuelque.
8. **Sujete apropiadamente las cuchillas en el cabezal portacuchillas** antes de encender la herramienta. Las cuchillas flojas pueden salir despedidas a altas velocidades, causando lesiones graves.
9. **Fije firmemente el ajuste de velocidad** antes de hacer avanzar la pieza de trabajo a través de la máquina. Un cambio de velocidades mientras se está acepillando puede causar retroceso.
10. **Evite las operaciones complicadas y las posiciones difíciles de las manos.** Un resbalón repentino podría hacer que una mano se mueva hasta las cuchillas.
11. **Mantenga los brazos, las manos y los dedos alejados** del cabezal portacuchillas, de la abertura de la salida de virutas y de los rodillos de avance, para prevenir cortes graves.
12. **No ponga nunca las manos en el área del cabezal portacuchillas** mientras la máquina esté en marcha. Las manos pueden ser arrastradas hasta las cuchillas.

13. **No se sitúe en la línea con la pieza de trabajo.** El retroceso puede causar lesiones.
14. **Deje que el cabezal portacuchillas alcance toda su velocidad** antes de hacer avanzar la pieza de trabajo. Un cambio de velocidades mientras se está acepillando puede causar retroceso.
15. **Al acepillar material arqueado,** coloque el lado cóncavo del material (el lado acopado hacia abajo) sobre la mesa y realice el corte al hilo para evitar el retroceso.
16. **No haga avanzar una pieza de trabajo** que esté combada, contenga nudos o tenga incrustados objetos extraños (clavos, grapas, etc.). Se puede producir retroceso.
17. **No haga avanzar hacia la máquina una pieza de trabajo corta, delgada o estrecha.** Las manos pueden ser arrastradas hasta las cuchillas y/o la pieza de trabajo puede salir despedida a altas velocidades. Consulte la sección
18. **No haga avanzar una pieza de trabajo** hacia el extremo de salida de la máquina. La pieza de trabajo saldrá despedida por el lado opuesto a altas velocidades.
19. **Quite las virutas solamente** con la máquina apagada ("OFF") y el deflector de virutas parado para evitar lesiones graves.
20. **Soporte apropiadamente las piezas de trabajo largas o anchas.** Una pérdida de control de la pieza de trabajo puede causar lesiones graves.
21. **No realice nunca trabajo de instalación, montaje o preparación** en la mesa o el área de trabajo cuando la máquina esté en marcha. El resultado será lesiones graves.
22. **Apague la máquina, desconéctela de la fuente de alimentación** y limpie la mesa o el área de trabajo antes de dejar la máquina. **Bloquee el interruptor en la posición de apagado** para impedir el uso no autorizado. Otra persona podría arrancar accidentalmente la máquina y resultar lesionada o causar lesiones a otras personas.
23. **Hay información adicional** disponible relacionada con la utilización segura y apropiada de herramientas mecánicas (por ejemplo, un video sobre seguridad) a través del Instituto de Herramientas Mecánicas, Power Tool Institute, 1300 Sumner Avenue, Cleveland, OH 44115-2851 (www.powertoolinstitute.com). También hay información disponible a través del Consejo Nacional de Seguridad, National Safety Council, 1121 Spring Lake Drive, Itasca, IL 60143-3201. Sírvase consultar también los Requisitos de Seguridad para Máquinas de Elaboración de la Madera ANSI 01.1 del Instituto Nacional Americano de Normas (American National Standards Institute) y las normas del Departamento de Trabajo de los EE.UU.

⚠ ADVERTENCIA: Algunos tipos de polvo, como aquellos generados por el lijado, serruchado, pulido y taladrado mecánico y otras actividades de construcción, contienen químicos que según el Estado de California se sabe causan cáncer, defectos de nacimiento y otros daños reproductivos. Algunos ejemplos de estos químicos son:

- Plomo proveniente de pinturas a base de plomo,
- óxido de silicio procedente de ladrillos, cemento y otros productos de mampostería, y
- arsénico y cromo provenientes de maderas tratadas con químicos (arseniato de cobre cromado-ACC).

El peligro derivado de la exposición a estos materiales varía en función de la frecuencia con que se realice este tipo de trabajo. Para reducir su exposición a estos químicos: trabaje en una zona bien ventilada y llevando equipos de seguridad aprobados, como mascarillas antipolvo especialmente diseñadas para filtrar partículas microscópicas.

- **Evite el contacto prolongado con polvo generado por el lijado, serruchado, pulido y taladrado mecánico y otras actividades de construcción. Vista ropas protectoras y lave las áreas de la piel expuestas con agua y jabón.** Si permite que el polvo se introduzca en su boca o sus ojos, o que quede sobre la piel, puede favorecer la absorción de químicos peligrosos.

⚠ ADVERTENCIA: La utilización de esta herramienta puede generar polvo o dispersarlo, lo que podría causar lesiones graves y permanentes al sistema respiratorio, así como otras lesiones. Siempre use protección respiratoria aprobada por NIOSH (Instituto Nacional de Seguridad y Salud en el Trabajo) u OSHA (Administración de Seguridad y Salud en el Trabajo) apropiada para la exposición al polvo. Dirija las partículas en dirección contraria a la cara y el cuerpo. Siempre opere la herramienta en una zona bien ventilada y que permita una correcta remoción del polvo. Utilice un sistema de recolección de polvo cuando sea posible.

CONEXIONES A LA FUENTE DE ALIMENTACIÓN

Debe utilizarse un circuito eléctrico independiente para las máquinas. Este circuito no debe ser menor a un cable N° 12 y debe estar protegido con un fusible de acción retardada.

NOTA: Los fusibles de acción retardada deben estar marcados "D" en Canadá y "T" en EE.UU. Si se utiliza un cordón de extensión, utilice únicamente cordones de extensión de tres alambres que tengan enchufes de tipo de conexión a tierra con tres terminales y un receptáculo coincidente que acepte el enchufe de la máquina. Antes de conectar la máquina a la línea de alimentación, asegúrese de que el interruptor(s) esté en la posición de apagado ("OFF") y cerciórese de que la corriente eléctrica tenga las mismas características que las que estén indicadas en la máquina. Todas las conexiones a la línea de alimentación deben hacer buen contacto. El funcionamiento a bajo voltaje dañará el máquina.

⚠ PELIGRO: No exponga la máquina a la lluvia ni la utilice en lugares húmedos.

ESPECIFICACIONES DEL MOTOR

La máquina está cableada para corriente alterna de 120 V, 60 Hz. Antes de conectar la máquina a la fuente de alimentación, asegúrese de que el interruptor esté en la posición de apagado ("OFF").

INSTRUCCIONES DE CONEXIÓN A TIERRA

⚠ PELIGRO: Esta máquina debe estar conectada a tierra mientras se esté utilizando, para proteger al operador contra las descargas eléctricas.

1. Todas las máquinas conectadas con cordón conectadas a tierra:

En caso de mal funcionamiento o avería, la conexión a tierra proporciona una ruta de resistencia mínima para la corriente eléctrica, con el fin de reducir el riesgo de descargas eléctricas. Esta máquina está equipada con un cordón eléctrico que tiene un conductor de conexión a tierra del equipo y un

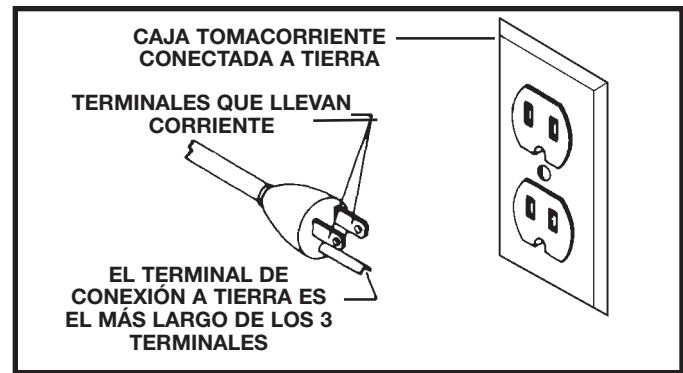


FIG. A

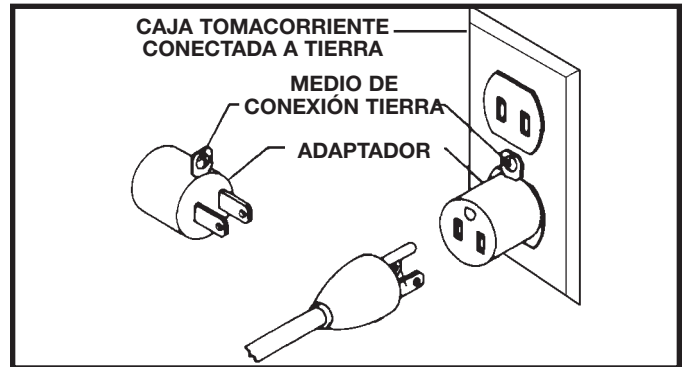


FIG. B

enchufe de conexión a tierra. El enchufe debe enchufarse en un tomacorriente coincidente que esté instalado y conectado a tierra adecuadamente, de acuerdo con todos los códigos y ordenanzas locales.

No modifique el enchufe suministrado. Si el enchufe no cabe en el tomacorriente, haga que un electricista calificado instale el tomacorriente apropiado.

La conexión inapropiada del conductor de conexión a tierra del equipo puede dar como resultado riesgo de descargas eléctricas. El conductor con aislamiento que tiene una superficie exterior de color verde con o sin franjas amarillas es el conductor de conexión a tierra del equipo. Si es necesario reparar o reemplazar el cordón eléctrico o el enchufe, no conecte el conductor de conexión a tierra del equipo a un terminal con corriente.

Consulte a un electricista competente o a personal de servicio calificado si no entiende completamente las instrucciones de conexión a tierra o si tiene dudas en cuanto a si la máquina está conectada a tierra apropiadamente.

Utilice únicamente cordones de extensión de tres alambres que tengan enchufes de tipo de conexión a tierra con tres terminales y receptáculos de tres conductores que acepten el enchufe de la máquina, tal como se muestra en la Fig. A.

Repáre o reemplace inmediatamente los cordones dañados o desgastados.

2. Máquinas conectadas con cordón conectadas a tierra diseñadas para utilizarse en un circuito de alimentación que tenga una capacidad nominal de menos de 150 V:

Si la máquina está diseñada para utilizarse en un circuito que tenga un tomacorriente parecido al que se ilustra en la Fig. A, la máquina tendrá un enchufe de conexión a tierra que se parece al enchufe ilustrado en la Fig. A. Puede utilizarse un adaptador temporal, que se parece al adaptador ilustrado en la Fig. B, para conectar este enchufe a un receptáculo coincidente de dos conductores, tal como se muestra en la Fig. B, si no se dispone de un tomacorriente conectado a tierra apropiadamente. El adaptador temporal debe utilizarse solamente hasta que un electricista calificado pueda instalar un tomacorriente conectado a tierra apropiadamente. La

orejeta, lengüeta, etc., rígida de color verde que sobresale del adaptador debe conectarse a una toma de tierra permanente, como por ejemplo una caja tomacorriente conectada a tierra adecuadamente. Siempre que se utilice un adaptador, debe sujetarse en su sitio con un tornillo de metal.

NOTA: En Canadá, el uso de un adaptador temporal no está permitido por el Código Eléctrico Canadiense.

⚠ PELIGRO: En todos los casos, asegúrese de que el receptáculo en cuestión esté conectado a tierra adecuadamente. Si no está seguro, haga que un electricista calificado compruebe el receptáculo.

CORDONES DE EXTENSIÓN

⚠ ADVERTENCIA: Utilice cordones de extensión apropiados. Asegúrese de que el cordón de extensión esté en buenas condiciones y de que sea un cordón de extensión de tres alambres que tenga un enchufe de tipo de conexión a tierra con tres terminales y un receptáculo coincidente que acepte el enchufe de la máquina. Cuando utilice un cordón de extensión, asegúrese de emplear un cordón que sea lo suficientemente pesado como para llevar la corriente de la máquina. Un cordón de tamaño insuficiente causará una caída de la tensión de la línea eléctrica que dará como resultado pérdida de potencia y recalentamiento. En la Fig. D1 se muestra el calibre correcto que debe utilizarse dependiendo de la longitud del cordón. En caso de duda, utilice el siguiente calibre más pesado. Cuanto más pequeño sea el número de calibre, más pesado será el cordón.

MESUR MINIMUM DE CORDE D'EXTENSION			
TAILLES RECOMMANDÉES POUR L'USAGE AVEC STATIONNAIRES ÉLECTRIQUES LES OUTILS			
Estimation père	Volts	Longueur Totale De Corde En Pieds	Mesure De Corde D'Am D'Extension
0-6	120	up to 25	18 AWG
0-6	120	25-50	16 AWG
0-6	120	50-100	16 AWG
0-6	120	100-150	14 AWG
6-10	120	up to 25	18 AWG
6-10	120	25-50	16 AWG
6-10	120	50-100	14 AWG
6-10	120	100-150	12 AWG
10-12	120	up to 25	16 AWG
10-12	120	25-50	16 AWG
10-12	120	50-100	14 AWG
10-12	120	100-150	12 AWG
12-16	120	up to 25	14 AWG
12-16	120	25-50	12 AWG
12-16	120	50 PI PLUS GRANDS QUE NON RECOMMANDES	

Fig. D-1

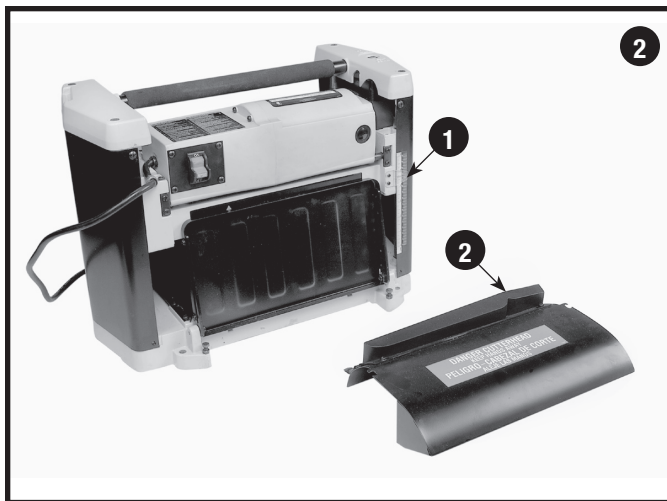
DESCRIPCIÓN DE FUNCIONAL

PROLOGO

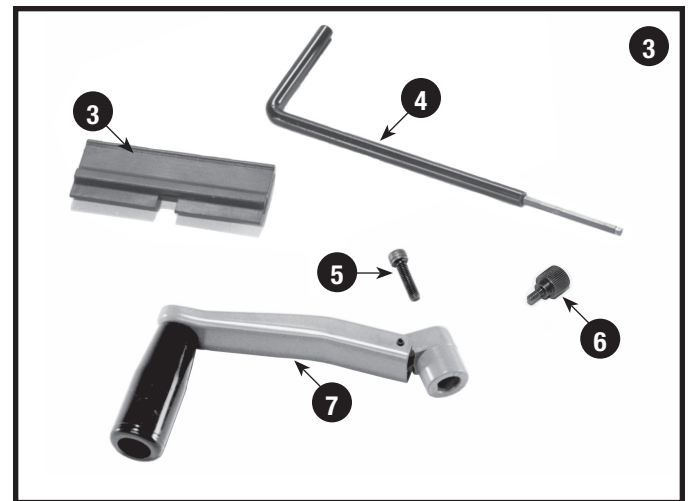
El modelo PC305TP es una cepilladora portable del 12-1/2 pulg. (305 mm). Tiene la capacidad siguiente del corte; anchura del 12-1/2 pulg. (305 mm), grueso del 6 pulg. (152 mm) y profundidad del 3/32 pulg. (2,4 mm) del corte. Las características incluyen; máquina básica con los 15 amperios de gran alcance, motor de 120 voltios, cutterhead del dos-cuchillo con un sistema de cuchillos reversibles de doble filo de acero rápido; cuchillo-fijando la galga, cuchillo-fijando la llave, rodillos de alimentación del poliuretano y ajustable-doblando extensiones de la tabla.

NOTA: La foto de la cubierta del manual ilustra el modelo de producción actual. Todas la demás ilustraciones son solamente representativas y es posible que no muestren el color, el etiquetado y los accesorios reales.

CONTENIDO DEL CARTÓN



1. Cepillo
2. Deflector de virutas



3. Acuchille instrumento de transferencia
4. 5mm la llave inglesa y maneja la asamblea
5. Tornillo con cabeza de encastre hexagonal de M5 x 20 mm
6. M5 x 10 mm perilla
7. Agarradera para elevar

DESEMPAQUETADO Y LIMPIEZA

Desembale cuidadosamente la máquina y todos los elementos sueltos del o los contenedores de envío. Retire el aceite anticorrosivo de las superficies sin pintura con un paño suave humedecido con alcohol mineral, solvente o alcohol desnaturalizado.

AVISO: No use solventes volátiles como gasolina, nafta, acetona o solvente de barniz para limpiar la máquina.

Luego de limpiar, cubra las superficies sin pintura con cera en pasta de buena calidad que se utiliza para los pisos del hogar.

ENSAMBLAJE

⚠ ADVERTENCIA: Para reducir el riesgo de lesiones personales graves, apague la herramienta y desconéctela de la fuente de alimentación antes de instalar y retirar accesorios, ajustar o cambiar configuraciones o realizar reparaciones. Un arranque accidental podría causar lesiones.

HERRAMIENTAS DE ENSAMBLAJE REQUERIDAS

- 5 mm llaves Allen (provista)

ESTIMACIÓN DEL TIEMPO DE ENSAMBLAJE

La asamblea para esta máquina es más o menos una hora.

DE LA AGARRADERA DE ELEVACION Y DESCENSO

Ensamble la agarradera de elevación y descenso (A) Fig. 4 al eje (B) y ajústela en su sitio con el tornillo (C). **NOTE:** Asegúrese de que las partes planas de la garradera y la parte plana del eje estén alineadas entre sí. Dé la vuelta a la agarradera (A) hacia arriba como se muestra en la Fig. 5.

DESCENSO DE LAS MESAS DE EXTENSION

Las mesas de extensión de entrada y salida (A) Fig. 6 se envían ajustadas a la máquina en posición elevada. Simplemente baje las mesas (A) en ambos lados de el cepillo como se muestra en la Fig. 6. Las superficies superiores de las mesas de extensión deben estar niveladas con la mesa de el cepillo. Para probarlas y ajustarlas si es necesario, vea la sección **Nivelando Las Mesas De Extension** en este manual.

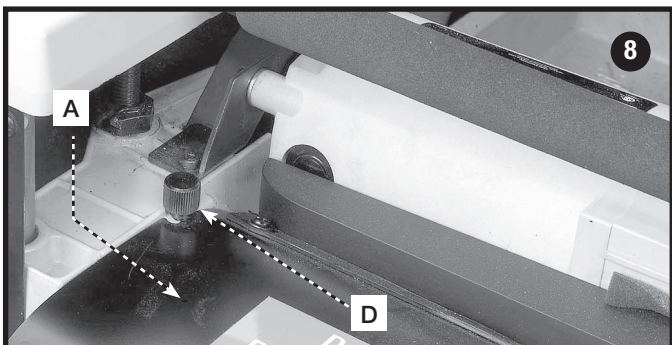
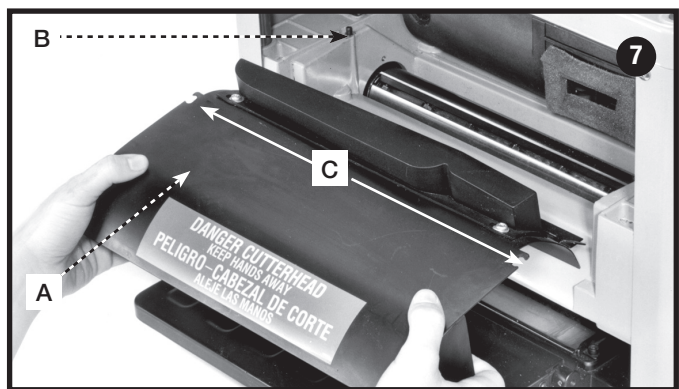
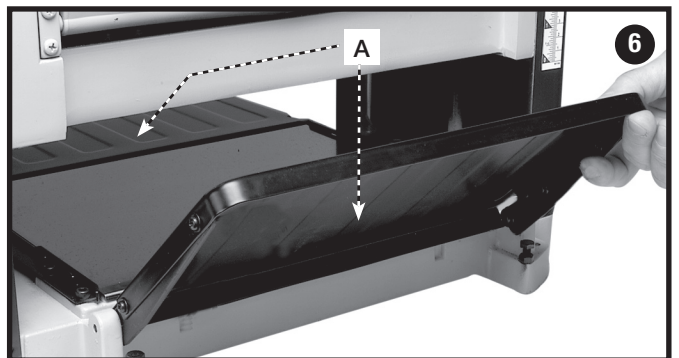
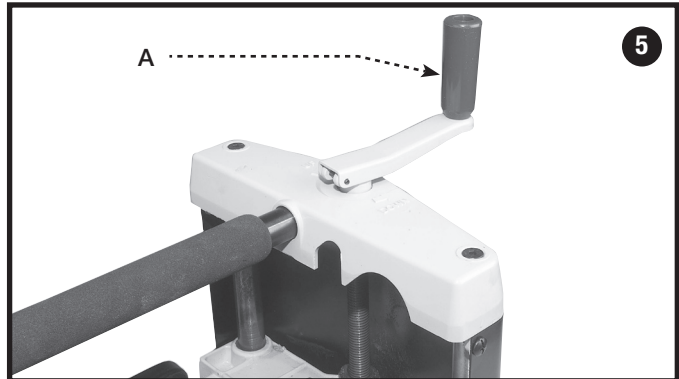
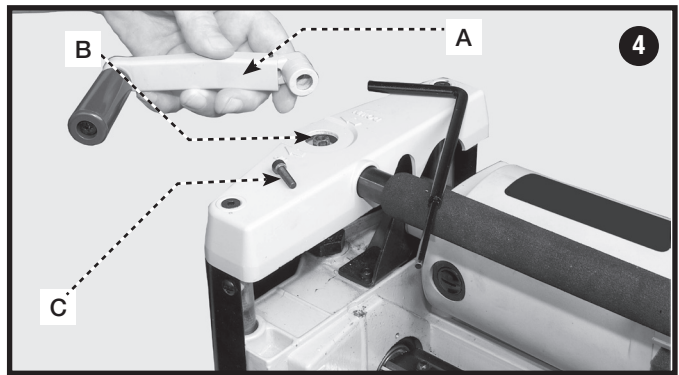
EL DEFLECTOR DE VIRUTAS

1. Conecte al guardia de cutterhead (A) Fig. 7 al planer metiendo el fin del guardia sobre la cima del cutterhead. Coloque las ranuras en el guardia de cutterhead (C) sobre los hoyos (B) utilizados.
2. Abroche a guardia de cutterhead (A) Fig. 8 a utilizar de planer dos perillas, uno de que se muestra en (D).

⚠ ADVERTENCIA: Cerciérese que el guardia de cutterhead es asegurado apropiadamente con las perillas antes de operar esta máquina.

SUJECION DE EL CEPILLO A LA SUPERFICIE DE APOYO

Durante el funcionamiento de la máquina, si ésta tiende a inclinarse, deslice o atravesie la superficie de apoyo, el cepillo debe estar sujeta a dicha superficie por medio de los cuatro orificios en la base. Dos de los mismos se muestran en (A) Fig. 9.



OPERACIÓN

ARRANCANDO Y DETENIENDO EL CEPILLO

⚠ ADVERTENCIA: Asegúrese de que el interruptor esté en la posición de apagado ("OFF") antes de enchufar el cable de alimentación en el tomacorriente. No toque las patas de metal del enchufe al enchufar o desenchufar el cable.

1. El interruptor de encendido/apagado (A) Fig. 10 está localizado en la parte delantera del motor de la acepilla-dora. Para ENCENDER ("ON") la máquina, mueva el interruptor (A) a la posición ("ON") elevada.
2. Para APAGAR ("OFF") la máquina, mueva el interruptor (A) a la posición ("OFF") inferior.

FIJANDO EL INTERRUPTOR EN LA POSICION DE APAGADO

IMPORTANTE: Cuando la herramienta no es adentro uso, el interruptor se debe bloquear en el apagado ("OFF") posición para prevenir uso desautorizado. Esto puede hacerse tomando la pieza acodada (T) y removiéndolo por completo del interruptor, tal como se ilustra en la Fig. 11. El interruptor no funcionará sin la pieza acodada (T). No obstante, si se quita la pieza acodada mientras que el cepillo está funcionando, ésta puede ser apagada una vez, pero no puede volver a arrancar sin la inserción de la pieza acodada (T).

⚠ ADVERTENCIA: En el caso de un corte eléctrico (por ejemplo por un interruptor o fusible quemados) bloquee siempre el interruptor en la posición de apagado ("OFF") hasta que se restablezca la energía principal.

ELEVANDO Y BAJANDO EL CONJUNTO DEL CABEZAL

El conjunto del cabezal (A) Fig. 12A contiene el cabezal de corte, los rodillos de alimentación, el deflector de virutas y el motor. La profundidad de corte de el cepillo es controlada al elevar o bajar el conjunto del cabezal. Para elevar o bajar el conjunto del cabezal, gire la agarradera de elevación y descenso (D).

NOTA: Una vuelta de la agarradera moverá el cabezal de corte hacia arriba o abajo aproximadamente 5/64 de pulgada.

Una escala con lecturas inglesas y métricas y un indicador (C) Fig. 12A está convenientemente situada al frente de la máquina e indica el grosor del material terminado. Los ajustes al indicador (C) pueden realizarse corriendo un pedazo de madera a través de la máquina. Mida el grosor del material, y si resulta necesario hacer un ajuste, afloje los dos tornillos (B) y ajuste el indicador en la manera correspondiente. Apriete entonces ambos tornillos.

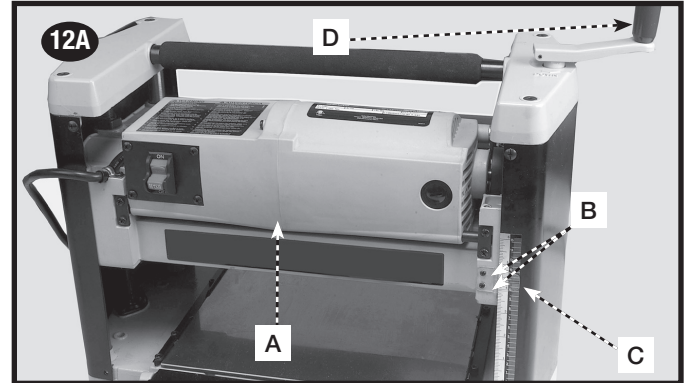
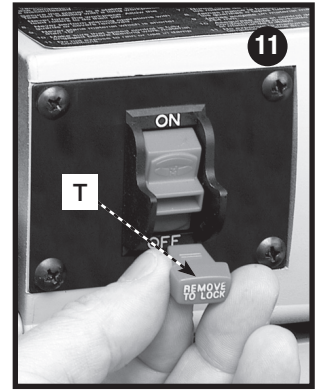
Refiérase a Fig. 12B para la profundidad del corte máxima recomendada para varias anchuras de la tabla de bosque suave y duro.

AVISO: El corte continuo en la profundidad más profunda del corte puede causar falta prematura del motor.

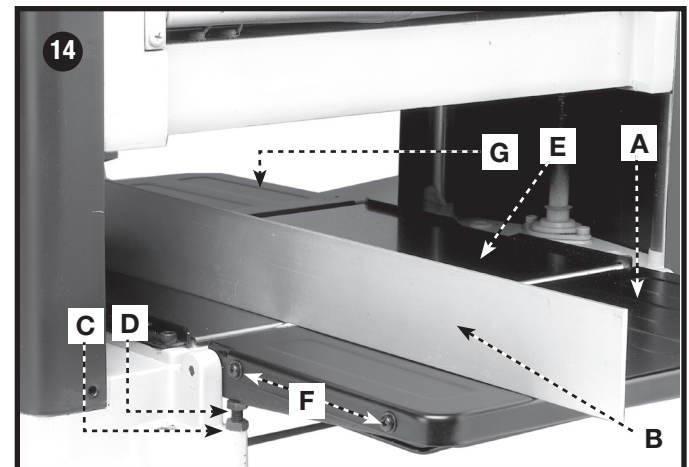
NIVELANDO LAS MESAS DE EXTENSION

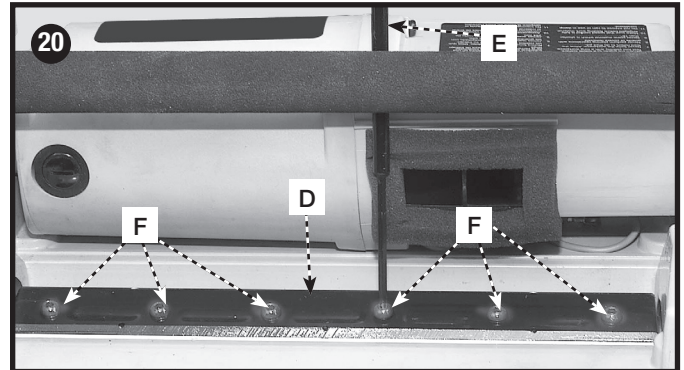
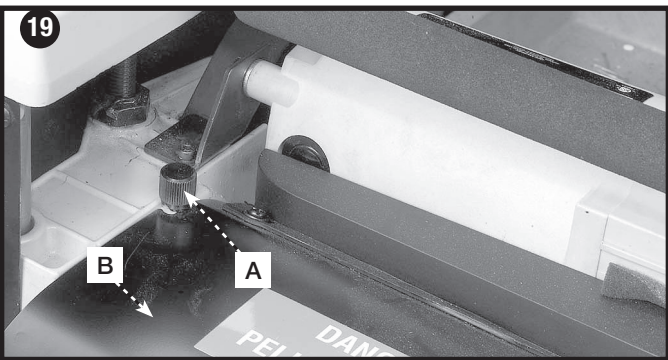
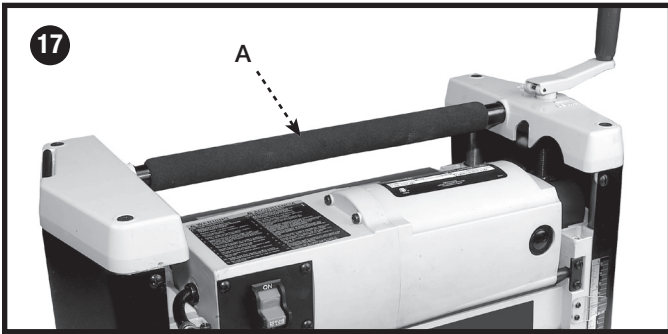
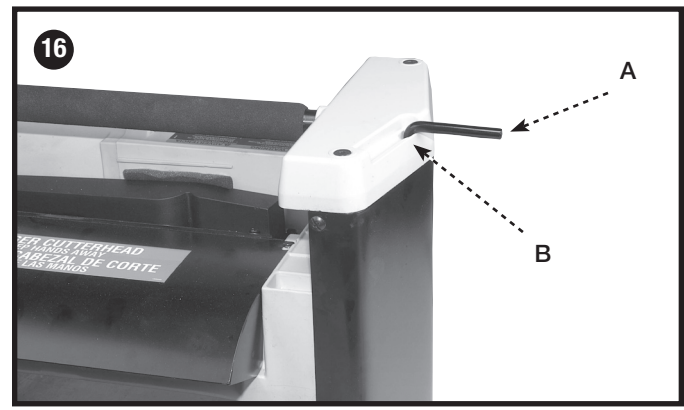
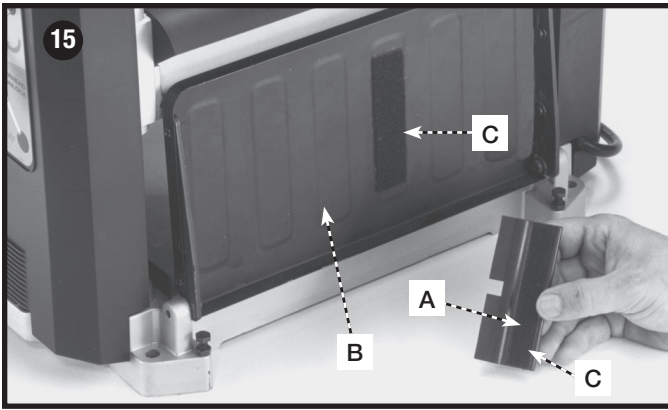
Para obtener un funcionamiento óptimo, las mesas de extensión, como la que se muestra en (A) y (G) Fig. 14, se debe nivelar con la mesa de el cepillo. Para probar las mesas de extensión y ajustarlas en caso que sea necesario, proceda de la siguiente forma:

1. Coloque una regla recta (B) Fig. 14 en la mesa de extensión de entrada (E) con un extremo extendido sobre la mesa de extensión (A) como se muestra. Compruebe que la mesa de entrada está nivelada con la mesa de el cepillo en ambos extremos de la mesa de extensión.
2. Si se necesita hacer un ajuste, afloje la tuerca de cierre (C) Fig. 14 y ajuste los tornillos de retención (D) a cada lado de la mesa de extensión (A) hasta que ésta esté al nivel de la mesa de el cepillo (E); después apriete la tuerca de cierre (C). Pruebe otra vez y asegúrese de que el borde interior de la extensión de la mesa esté perfectamente nivelado con la mesa de el cepillo. Si es necesario, afloje los dos tornillos (F), ajuste la mesa de extensión y vuelva a apretar los dos tornillos (F). Ajuste el lado opuesto de la mesa de la misma forma. Asegúrese de que la mesa de extensión esté apoyada firmemente cuando exista presión descendiente en la mesa.
3. Compruebe y ajuste la mesa de extensión (G) de salida de la misma manera.



12B Ancho de la pieza	Profundidad de corte máxima	
	Madera Blanda	Madera Dura
50,8 mm (2 pulg.)	2,4 mm (3/32 pulg.)	2,4 mm (3/32 pulg.)
101,6 mm (4 pulg.)	2,4 mm (3/32 pulg.)	2,4 mm (3/32 pulg.)
152,4 mm (6 pulg.)	2,4 mm (3/32 pulg.)	2,4 mm (3/32 pulg.)
177,8 mm (7 pulg.)	2,4 mm (3/32 pulg.)	2,4 mm (3/32 pulg.)
203,2 mm (8 pulg.)	2,4 mm (3/32 pulg.)	2,4 mm (3/32 pulg.)
228,6 mm (9 pulg.)	2 mm (5/64 pulg.)	1,6 mm (1/16 pulg.)
254 mm (10 pulg.)	1,6 mm (1/16 pulg.)	1,2 mm (3/64 pulg.)
279,4 mm (11 pulg.)	1,6 mm (1/16 pulg.)	1,2 mm (3/64 pulg.)
304,8 mm (12 pulg.)	1,6 mm (1/16 pulg.)	1,2 mm (3/64 pulg.)





ALMACENAMIENTO DE LA HERRAMIENTA DE TRANSFERENCIA DE CUCHILLAS

1. La herramienta de transferencia de cuchillas (A) Fig. 15, suministrada con su cepillo (B), puede ser almacenada fácilmente debajo de la extensión de la mesa de salida (C) cuando no se encuentre en uso. Una tira de Velcro (C) está suministrada sobre la herramienta y por debajo de la mesa para dicho propósito.

ALMACENAMIENTO DE LLAVES

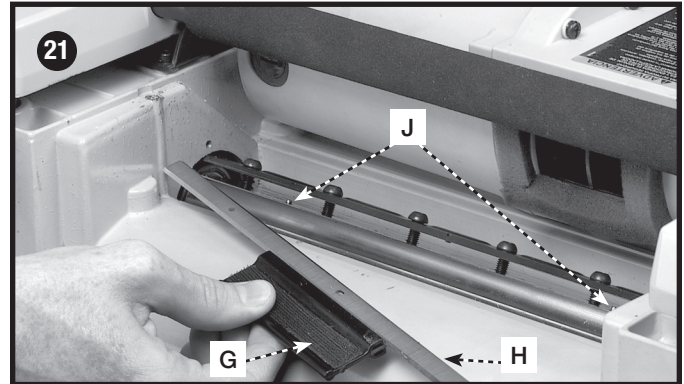
La fig. 16 de la llave y del sostenedor de la llave (A), se puede salvar en el agujero (B) localizado en el lado trasero derecho de la máquina según lo mostrado.

AGARRADERA DE TRANSPORTE/BARRA DE TRANSFERENCIA DE MATERIAL

1. Su cepillo viene equipada con una agarradera de transporte revestida de espuma plástica (A) Fig. 17, situada en la parte superior de la máquina, para facilitar el transporte de la misma.
2. La agarradera de transporte (A) Fig. 18 también puede utilizarse como barra de transferencia de material para transferir el material desde el extremo de salida hacia el extremo de entrada de la máquina. Esto resulta útil durante el acepillado de material muy largo, permitiendo la transferencia fácil del material nuevamente al extremo de entrada de la máquina para cortes adicionales.

REEMPLAZANDO LAS CUCHILLAS

Las cuchillas suministradas con su cepillo son de doble filo y



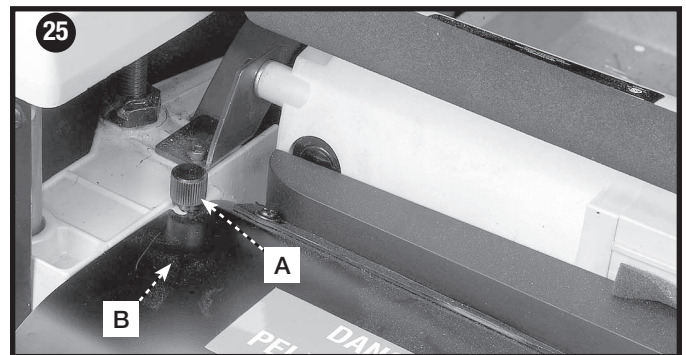
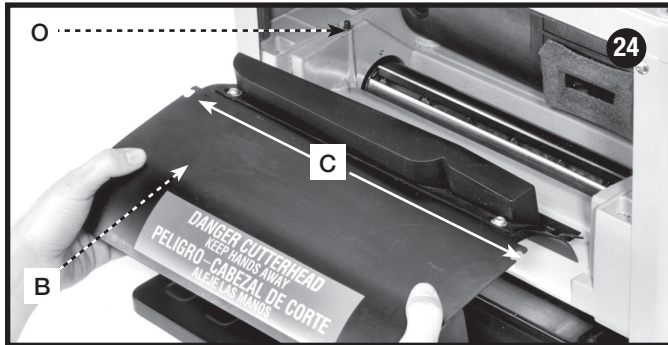
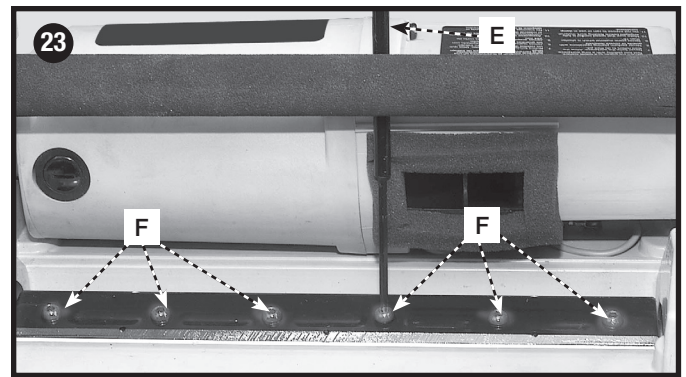
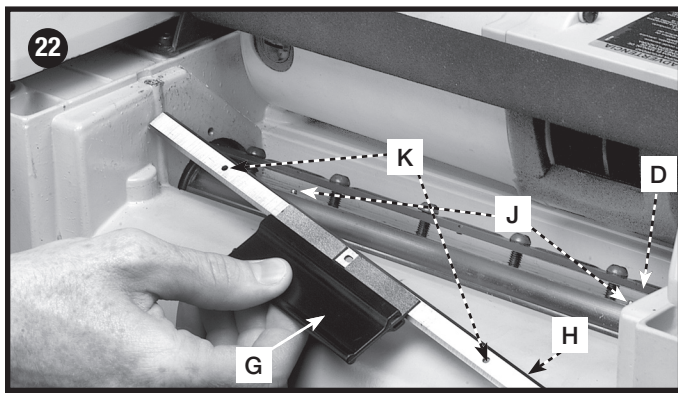
reversibles, lo que le permite cambiar las cuchillas "extremo por extremo" cuando un filo quede romo o astillado. Para cambiar las cuchillas, haga lo siguiente:

⚠ ADVERTENCIA: **Disconecte el cepillo de la fuente de energía.**

1. Levante el montaje del cabezal completamente hacia arriba.
2. Quite cutterhead guardia (B) Fig. 19 quitando dos perillas, uno de que se muestra en (A).

⚠ ADVERTENCIA: **Lose cuchillos son sostenidos. Tenga cuidado al quitar, manejando o instalando los cuchillos.**

3. Utilizar la llave inglesa (E) Fig. 20 suministrada, destornilla



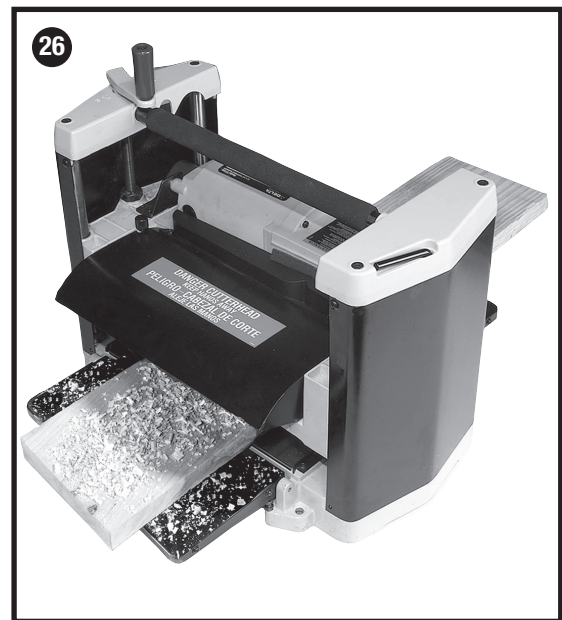
los seis tornillos en (F), sólo bastante hasta que cierre la barra (D) separa del cuchillo, permitiendo cuchillo para ser quitado.

4. Inserte la herramienta de transferencia de cuchillas (G) Fig. 21 por debajo del centro de la cuchilla. Levante la herramienta (G) hasta que la cuchilla (H) se separe de los pasadores (J), y extraiga y quite la cuchilla (H) según se ilustre. **NOTE:** La herramienta de transferencia de cuchillas (G) está imantada, lo que le permite adherirse a la cuchilla.
5. Gire la cuchilla (H) Fig. 22 de "extremo por extremo" o utilice una cuchilla nueva, y coloque la herramienta de transferencia de cuchillas (G) encima de la cuchilla (H) según lo ilustrado. Coloque la cuchilla (H) en el cabezal de corte por debajo de la barra de cierre (D) asegurándose de que los pasadores (J) en el cabezal de corte queden engranados con los agujeros (K) en la cuchilla.
6. Quite cuchillo instrumento de transferencia y apriete los seis tornillos en (F) Fig. 23, utilizando la llave inglesa (E) suministrada.
7. Substituya el otro cuchillo rotando la pista 180 grados y relance los PASOS DE PROGRESIÓN 3 A 6.
8. Conecte al guardia de cutterhead (B) Fig.24 al planer metiendo el fin del guardia sobre la cima del cutterhead. Coloque las ranuras en el guardia de cutterhead (C) sobre los hoyos (O) utilizados. Abroche a guardia de cutterhead (B) Fig. 25 a utilizar de planer dos perillas, uno de que se muestra en (A) Fig. 25.

UTILIZAR LA MAQUINA

Cuando vaya a utilizar su máquina, le aconsejamos seguir estos pasos sencillos para obtener el mejor resultado posible.

1. **Verdad Encima De Una Cara** - Alimente una cara de la tarjeta concluido una ensambladora, haciendo cortes finos con cada paso, hasta que la superficie entera es plana.
2. **Acepille al espesor** - Ponga la cara que usted acaba de emerger en cara del **PASO DE PROGRESIÓN 1** abajo y alimente a la tarjeta a través de la cepilladora, plano hasta que esta cara es plana (Fig. 26). Entonces acepille a ambas caras de la tarjeta hasta que usted está satisfecho con el espesor, haciendo los cortes finos, alternándose echa a un lado con cada paso. Si durante la operación que acepilla usted nota a la tarjeta el torcer, el combarse o el arquear, relance el **PASO DE PROGRESIÓN 1** y verdad encima de una cara.



3. Al acepillar la terraja larga, proporcione a las extensiones del vector para utilizar la entrada y outfeed el extremo del objeto.
4. Acepille con el grano solamente, y mantenga la tabla de la cepilladora limpia. De vez en cuando, superficie de la tabla de la cera para reducir la fricción durante la operación que acepilla.
5. **Cruz-corte a la longitud final** - Cruz-corte la madera de construcción a la longitud final, para quitar cualesquiera atacan desde un escondite que pudieron haber ocurrido durante la operación que acepilla.

⚠ ATENCIÓN: Los cuchillos en la cepilladora no desgastaran univormemente alimentando la madera a traves del mismo punto en el vector cada vez. Alimente la madera a traves de la cepilladora en diversos puntos en el vector cuando es posible, para ayudar a eliminar el desgaste desigual de los cuchillos.

LOCALIZACION DE FALLAS

Para obtener asistencia para su máquina, visite nuestro sitio Web en www.portercable.com para tener acceso a una lista de centros de servicio o llame a la línea de ayuda al (888) 848-5175.

MANTENIMIENTO

⚠ ADVERTENCIA: Para reducir el riesgo de lesiones personales graves, apague la herramienta y desconéctela de la fuente de alimentación antes de instalar y retirar accesorios, ajustar o cambiar configuraciones o realizar reparaciones. Un arranque accidental podría causar lesiones.

MANTENGA LA MÁQUINA LIMPIA

Periódicamente sople por todas las entradas de aire con aire comprimido seco. Todas las piezas de plástico deben limpiarse con un paño suave y húmedo. NUNCA utilice solventes para limpiar las piezas de plástico. Podrían derretirse o dañar el material.

⚠ ADVERTENCIA: Utilice equipo de seguridad certificado para proteger sus ojos, oídos y vías respiratorias cuando use aire comprimido.

FALLA EN EL ENCENDIDO

Si la máquina no enciende, verifique que las patas del enchufe del cable hagan buen contacto en el tomacorriente. Además, revise que no hayan fusibles quemados o interruptores automáticos de circuito abierto en la línea.

LUBRICACIÓN Y PROTECCIÓN CONTRA ÓXIDO

Aplice semanalmente cera en pasta para pisos a la mesa de la máquina y a la extensión u otra superficie de trabajo. También puede usar productos protectores disponibles en comercios y diseñados con este propósito. Siga las instrucciones del fabricante para su uso y seguridad.

INSPECCION Y REEMPLAZO DE CEPILLOS

⚠ ADVERTENCIA: Desconecte el cepillo de la fuente de energía.

La vida de los cepillos varía, ya que depende de la carga sobre el motor. Revise los cepillos después de las primeras 50 horas de uso para una máquina nueva o después de haber instalado un nuevo juego de cepillos. Tras la primera inspección, examínelos después de unas 10 horas de uso hasta que sea necesario reemplazarlos.

Los soportes de cepillos, de los cuales aparece uno en (A) Fig. 27, están localizados en los lados opuestos de la caja del motor. La Fig. 28 muestra uno de los cepillos quitados del detector para ser inspeccionado. Cuando el carbón (B) en cualquiera de los cepillos se haya desgastado a 3/16 pulg. (4,7 mm) de pulgada de extensión o si cualquier resorte (C) o alambre de desviación está quemado o dañado de cualquier manera, reemplace ambos cepillos. Si los cepillos son servibles después de haberles quitado, vuelva a instalarlos en la misma posición en que fueron quitados.

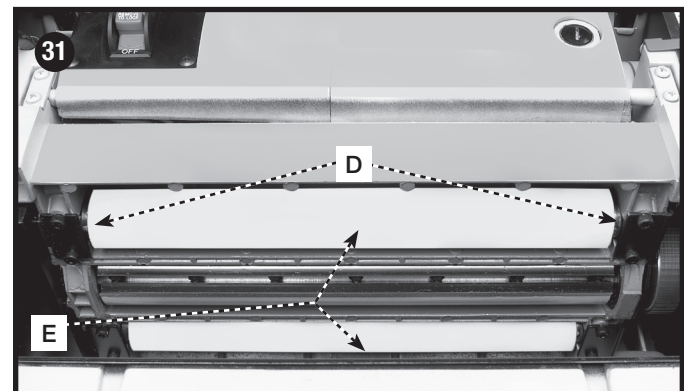
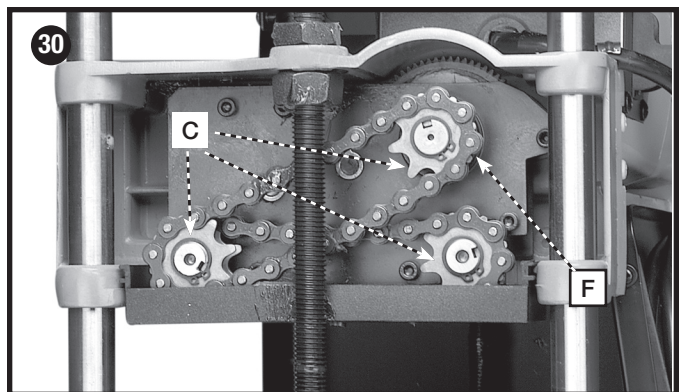
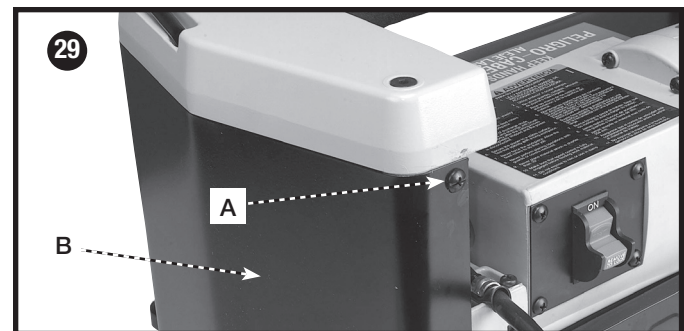
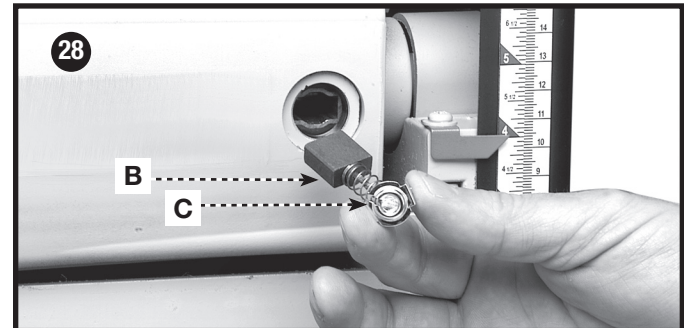
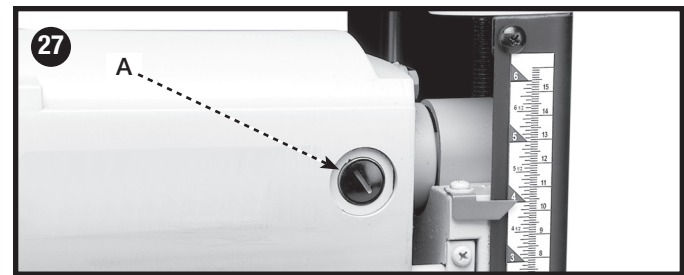
⚠ ADVERTENCIA: Después que la conservación de cepillo se completa, el guardia de cutterhead debe ser vuelve a instalar antes de empezar el planer.

LUBRICACION

Los engranajes en la caja de engranajes y los cojinetes de los rodillos de avance deben ser lubricados periódicamente de la siguiente forma:

⚠ ADVERTENCIA: Desconecte la maquina de la fuente de energía.

1. Quite el tornillo (A) Fig. 29 y la tuerca localizada sobre el otro extremo del tornillo. Quite la tapadera lateral (B) del lado izquierdo de el cepillo.
2. Coloque un abrigo ligero de E.P. grasa de multi-propósito en los dientes de los engranajes (C) Fig.30, y un abrigo ligero de lubricante de rocío en las cadenas (F). Reemplace la cubierta del lado.



3. Coloque el cepillo sobre la parte posterior y ponga aceite sobre los bujes de los rodillos de avance (D) Fig. 31 a cada extremo de los rodillos de avance (E).
4. Substituya la tapadera lateral.

SERVICIO

PIEZAS DE REPUESTO

Utilice sólo piezas de repuesto idénticas. Para obtener una lista de las piezas o para solicitarlas, visite nuestro sitio Web en www.portercable.com. También puede solicitar piezas en una de nuestras sucursales o centros de mantenimiento con garantía autorizados más cercanos, o llamando a End User Services (Servicios para el usuario final) al 1-888-848-5175 para obtener asistencia personalizada de uno de nuestros representantes altamente capacitados.

MANTENIMIENTO Y REPARACIONES

Con el paso del tiempo, todas las herramientas de calidad requieren mantenimiento o reemplazo de las piezas. Para obtener información acerca de PORTER-CABLE y sus sucursales o para localizar un centro de mantenimiento con garantía autorizado, visite nuestro sitio Web en www.portercable.com o llame a End User Services (Servicios para el usuario final) al 1-888-848-5175. Todas las reparaciones realizadas en nuestros centros de mantenimiento están completamente garantizadas en relación con los materiales defectuosos y la mano de obra. No podemos otorgar garantías en relación con las reparaciones ni los intentos de reparación de otras personas. Si llama a este número, también encontrará las respuestas a las preguntas más frecuentes durante las 24 horas del día.

Asimismo, para obtener información puede escribirnos a PORTER-CABLE, PO Box 2468, Jackson, Tennessee 38302-2468 - Attention: End User Services. Asegúrese de incluir toda la información mencionada en la placa de la herramienta (número de modelo, tipo, número de serie, código de fecha, etc.)

ACCESORIOS

⚠ ADVERTENCIA: Debido a que no se han probado con este producto otros accesorios que no sean los que ofrece PORTER-CABLE, el uso de tales accesorios puede ser peligroso. Para un funcionamiento seguro, con este producto sólo deben utilizarse los accesorios recomendados por PORTER-CABLE.

Su proveedor de productos PORTER-CABLE, los Centros de mantenimiento de fábrica de PORTER-CABLE y los Centros de mantenimiento autorizados de PORTER-CABLE pueden suministrarle una línea completa de accesorios. Para obtener un catálogo o para conocer el nombre de su proveedor más cercano, visite nuestro sitio Web www.portercable.com.

PÓLIZA DE GARANTÍA

IDENTIFICACIÓN DEL PRODUCTO:

Sello o firma del Distribuidor. Nombre del producto: _____ Mod./Cat.: _____
Marca: _____ Núm. de serie: _____ (Datos para ser llenados por el distribuidor)
Fecha de compra y/o entrega del producto: _____ Nombre y domicilio del distribuidor
donde se adquirió el producto: _____

Este producto está garantizado por tres años de garantía limitada a partir de la fecha de entrega, contra cualquier defecto en su funcionamiento, así como en materiales y mano de obra empleados para su fabricación. Nuestra garantía incluye la reparación o reposición del producto y/o componentes sin cargo alguno para el cliente, incluyendo mano de obra, así como los gastos de transportación razonablemente erogados derivados del cumplimiento de este certificado. Para hacer efectiva esta garantía deberá presentar su herramienta y esta póliza sellada por el establecimiento comercial donde se adquirió el producto, de no contar con ésta, bastará la factura de compra.

EXCEPCIONES

Esta garantía no será válida en los siguientes casos:

- Cuando el producto se hubiese utilizado en condiciones distintas a las normales;
- Cuando el producto no hubiese sido operado de acuerdo con el instructivo de uso que se acompaña;
- Cuando el producto hubiese sido alterado o reparado por personas distintas a las enlistadas al final de este certificado.

Anexo encontrará una relación de sucursales de servicio de fábrica, centros de servicio autorizados y franquiciados en la República Mexicana, donde podrá hacer efectiva su garantía y adquirir partes, refacciones y accesorios originales.

GARANTÍA LIMITADA POR TRES AÑOS

PORTER-CABLE reparará, sin cargo, cualquier falla que surja de defectos en el material o la fabricación del producto, por hasta tres años a contar de la fecha de compra. Esta garantía no cubre fallas de las piezas causadas por su desgaste normal o abuso a la herramienta. Para mayores detalles sobre la cobertura de la garantía e información acerca de reparaciones realizadas bajo garantía, visítenos en www.portercable.com o diríjase al centro de servicio más cercano. Esta garantía no aplica a accesorios o a daños causados por reparaciones realizadas o intentadas por terceros. Esta garantía le otorga derechos legales específicos, además de los cuales puede tener otros dependiendo del estado o provincia en que se encuentre.

Además de la garantía, las herramientas PORTER-CABLE están cubiertas por:

1 AÑO DE SERVICIO GRATUITO: PORTER-CABLE mantendrá la herramienta y reemplazará las piezas gastadas por su uso normal, sin cobro, en cualquier momento durante un año a contar de la fecha de compra.

GARANTÍA DE REEMBOLSO DE SU DINERO POR 90 DÍAS:

Si no está completamente satisfecho con el desempeño de su máquina herramienta o clavadora PORTER-CABLE, cualquiera sea el motivo, podrá devolverlo hasta 90 días de la fecha de compra con su recibo y obtener el reembolso completo de su dinero – sin necesidad de responder a ninguna pregunta.

AMÉRICA LATINA: Esta garantía no se aplica a los productos que se venden en América Latina. Para los productos que se venden en América Latina, debe consultar la información de la garantía específica del país que viene en el empaque, llamar a la compañía local o visitar el sitio Web a fin de obtener esa información.

Para registrar la herramienta para obtener el mantenimiento cubierto por la garantía, visite nuestro sitio web en www.portercable.com.

REEMPLAZO DE LAS ETIQUETAS DE ADVERTENCIA

Si sus etiquetas de advertencia se vuelven ilegibles o faltan, llame al (888) 848-5175 para que se las reemplacen gratuitamente.

⚠ WARNING

LACERATION HAZARD.

KEEP HANDS AWAY
FROM OUTLET.

⚠ ADVERTENCIA

PELIGRO DE LACERACIÓN.

MANTENGA LAS MANOS
LEJOS DEL TOMACORRIENTE.

⚠ AVERTISSEMENT

RISQUE DE LACÉRATION.

ÉLOIGNER LES MAINS
DU PORT DE SORTIE.

⚠ WARNING TO REDUCE THE RISK OF INJURY USER MUST READ THE INSTRUCTION MANUAL BEFORE OPERATING PLANER. ALWAYS WEAR PROPER EYE AND RESPIRATORY PROTECTION. WHEN OPERATING THIS TOOL, DO NOT WEAR GLOVES, NECKTIES, JEWELRY, LOOSE CLOTHING OR LONG HAIR. **PINCH HAZARD.** KEEP HANDS AWAY FROM FEED ROLLERS OR TOP SURFACE OF WORKPIECE. **LACERATION HAZARD.** KEEP HANDS OUT OF DISCHARGE CHUTE. REMOVE CHIPS AND SHavings WITH BRUSH OR VACUUM ONLY AFTER THE CUTTING KNIVES HAVE COMPLETELY STOPPED AND THE POWER IS DISCONNECTED. NEVER PERFORM PLANING OPERATIONS WITH GUARDS OR COVERS REMOVED. SECURE THE PLANER TO A STABLE SURFACE. TEST TOOL STABILITY WITH A LONG WORKPIECE. **KICKBACK HAZARD.** NEVER FORCE THE WORKPIECE. ALLOW THE FEED ROLLERS TO DO THEIR JOB. NEVER PLANE MATERIAL WHICH IS SHORTER THAN 10 INCHES (254 MM). MAKE SURE THAT SPEED CONTROL IS FULLY ENGAGED BEFORE FEEDING WORK MATERIAL. **SHOCK HAZARD.** DO NOT EXPOSE TO RAIN OR USE IN DAMP LOCATIONS.

⚠ ADVERTENCIA PARA REDUCIR EL RIESGO DE LESIONES, EL USUARIO DEBE LEER EL MANUAL DE INSTRUCCIONES ANTES DE OPERAR LA CEPILLADORA. SIEMPRE UTILICE PROTECCIÓN ADECUADA PARA LOS OJOS Y VÍAS RESPIRATORIAS, CUANDO OPERE ESTA HERRAMIENTA. NO UTILICE GUANTES, CORBATAS, JOYAS, ROPA HOLOGADA NI EL CABELLO LARGO SUELTO. **RIESGO DE PELLIZCOS.** MANTENGA LAS MANOS ALEJADAS DE LOS RODILLOS DE AVANCE O DE LA SUPERFICIE SUPERIOR DE LA PIEZA DE TRABAJO. **PELIGRO DE LACERACIÓN.** MANTENGA LAS MANOS FUERA DEL CONDUCTO DE DESCARGA. RETIRE LAS ASTILLAS O LOS RECORTES CON UN CEPILLO O ASPIRADORA SOLO DESPUÉS DE QUE LAS CUCHILLAS DE CORTE SE HAYAN DETENIDO POR COMPLETO Y SE HAYA DESCONECTADO LA ENERGÍA. NUNCA REALICE OPERACIONES DE CEPILLADO SIN LAS GUARDAS O LAS TAPAS. ASEGURE LA CEPILLADORA A UNA SUPERFICIE ESTABLE. PRUEBE LA ESTABILIDAD DE LA HERRAMIENTA CON UNA PIEZA DE TRABAJO LARGA. **RIESGO DURANTE EL RETORNO.** NUNCA FUERCE LA HERRAMIENTA DE TRABAJO. PERMITA QUE LOS RODILLOS DE AVANCE HAGAN SU TRABAJO. NUNCA CEPILLE EL MATERIAL MÁS CORTO QUE 254 MM (10 PULG). ASEGURESE DE QUE EL CONTROL DE VELOCIDAD ESTÉ TRABAJANDO POR COMPLETO ANTES DE INTRODUCIR EL MATERIAL DE TRABAJO. **RIESGO DE DESCARGA ELÉCTRICA.** NO EXPONGA A LA LLUVIA NI UTILICE EN LUGARES HÚMEDOS.

⚠ AVERTISSEMENT L'UTILISATEUR DOIT LIRE LE MODE D'EMPLOI AVANT BLESSURE. TOUJOURS PORTER UNE PROTECTION OCULAIRE ET RESPIRATOIRE ADEQUATE, NE PAS PORTER DE GANTS, NI CRAVATES, NI BLOUX OU VÊTEMENTS AMPLES ET COUVRIR LES CHEVEUX LONGS LORS DE L'UTILISATION DE L'OUTIL. **RIESGO DE PINCEMENT.** ÉLOIGNER LES MAINS DES ROULEAUX D'ALIMENTATION OU DE LA SURFACE SUPÉRIEURE DE LA PIÈCE. **RIESGO DE LACÉRATION.** ÉLOIGNER LES MAINS DE LA GOULOTTE D'ÉVACUATION, À L'AIDE D'UNE BROUSSE OU D'UN ASPIRATEUR, RETIRER LES COPEAUX ET RABOTURES UNIQUEMENT APRÈS L'ARRÊT COMPLET DES LAMES ET LE DÉBRANCHEMENT DE L'OUTIL. NE JAMAIS RABOTER SANS LES DISPOSITIFS DE PROTECTION OU LES COUVERCLES EN PLACE. FIXER LA RABOTEUSE À UNE SURFACE STABLE. TESTER LA STABILITÉ DE L'OUTIL AVEC UNE LONGUE PIÈCE. **RIESGO DE REBOND.** NE JAMAIS FORCER L'AVANCEMENT DE LA PIÈCE. LAISSER AUX ROULEAUX D'ALIMENTATION LE SOIN D'EFFECTUER L'AVANCEMENT. NE JAMAIS RABOTER DE PIÈCES PLUS COURTES QUE 254 MM (10 PO). S'ASSURER QUE LA COMMANDE DE VITESSE SOIT BIEN ENLECHÉE AVANT D'AVANCER LA PIÈCE. **RIESGO DE CHOC ÉLECTRIQUE.** NE PAS L'EXPOSER À LA PLUIE ET NE PAS L'UTILISER DANS UN ENDROIT HUMIDE.

**PARA REPARACIÓN Y SERVICIO DE SUS
HERRAMIENTAS ELÉCTRICAS, FAVOR DE DIRIGIRSE
AL CENTRO DE SERVICIO MÁS CERCANO**

CULIACAN, SIN Blvd.Emiliano Zapata 5400-1 Poniente Col. San Rafael	(667) 717 89 99
GUADALAJARA, JAL Av. La Paz #1779 - Col. Americana Sector Juárez	(33) 3825 6978
MEXICO, D.F. Eje Central Lázaro Cárdenas No. 18 Local D, Col. Obrera	(55) 5588 9377
MERIDA, YUC Calle 63 #459-A - Col. Centro	(999) 928 5038
MONTERREY, N.L. Av. Francisco I. Madero 831 Poniente - Col. Centro	(818) 375 23 13
PUEBLA, PUE 17 Norte #205 - Col. Centro	(222) 246 3714
QUERETARO, QRO Av. San Roque 274 - Col. San Gregorio	(442) 2 17 63 14
SAN LUIS POTOSI, SLP Av. Universidad 1525 - Col. San Luis	(444) 814 2383
TORREON, COAH Blvd. Independencia, 96 Pte. - Col. Centro	(871) 716 5265
VERACRUZ, VER Prolongación Díaz Mirón #4280 - Col. Remes	(229) 921 7016
VILLAHERMOSA, TAB Constitución 516-A - Col. Centro	(993) 312 5111

PARA OTRAS LOCALIDADES:

Si se encuentra en México, por favor llame al (55) 5326 7100

**Si se encuentra en U.S., por favor llame al
(800) 223-7278**

ESPECIFICACIONES

MODEL PC305TP

Tensión de alimentación:	120 V AC~
Consumo de corriente:	15 A
Frecuencia de operación:	60 Hz
Rotación sin carga:	8 000, 16 000 rpm

SOLAMENTE PARA PROPÓSITO DE MÉXICO:
IMPORTADO POR: PORTER-CABLE S.A. DE C.V.
BOSQUES DE CIDROS, ACCESO RADIATAS NO.42
3A. SECCIÓN DE BOSQUES DE LAS LOMAS
DELEGACIÓN CUAJIMALPA,
05120, MÉXICO, D.F.
TEL. (52) 555-326-7100
R.F.C.: BDE810626-1W7

Para servicio y ventas consulte
"HERRAMIENTAS ELÉCTRICAS"
en la sección amarilla.



The following are PORTER-CABLE trademarks for one or more power tools and accessories: a gray and black color scheme; a ♦ “four point star” design; and three contrasting/outlined longitudinal stripes. The following are also trademarks for one or more PORTER-CABLE and Delta products: Les éléments ci-dessous sont des marques de commerce des outils et des accessoires de PORTER-CABLE : un agencement de couleurs grise et noire; un motif d' « étoile à quatre pointes » ♦ et trois bandes longitudinales contrastantes/à contours. Les marques suivantes sont également des marques de commerce se rapportant à un ou plusieurs produits PORTER-CABLE ou Delta : Las siguientes son marcas comerciales PORTER-CABLE que distinguen a una o más herramientas y accesorios: un gráfico de color gris y negro; un diseño de ♦ “estrella de cuatro puntas” y tres franjas longitudinales contrastantes/delineadas. Las siguientes también son marcas comerciales para uno o más productos de PORTER-CABLE y Delta: 2 BY 4®, 890™, Air America®, AIRBOSS™, Auto-Set®, B.O.S.S.®, Bammer®, Biesemeyer®, Builders Saw®, Charge Air®, Charge Air Pro®, CONTRACTOR SUPERDUTY®, Contractor's Saw®, Delta®, DELTA®, Delta Industrial®, DELTA MACHINERY & DESIGN™, Delta Shopmaster and Design®, Delta X5®, Deltacraft®, DELTAGRAM®, Do It. Feel It.®, DUAL LASERLOC AND DESIGN®, EASY AIR®, EASY AIR TO GO™, ENDURADIAMOND®, Ex-Cell®, Front Bevel Lock®, Get Yours While the Sun Shines®, Grip to Fit®, GRIPVAC™, GTF®, HICKORY WOODWORKING®, Homecraft®, HP FRAMER HIGH PRESSURE®, IMPACT SERIES™, Innovation That Works®, Jet-Lock®, Job Boss®, Kickstand®, LASERLOC®, LONG-LASTING WORK LIFE®, MAX FORCE™, MAX LIFE®, Micro-Set®, Midi-Lathe®, Monsoon®, MONSTER-CARBIDE™, Network®, OLDHAM®, Omnijig®, PC EDGE®, Performance Crew™, Performance Gear®, Pocket Cutter®, Porta-Band®, Porta-Plane®, Porter Cable®, PORTER-CABLE Professional Power Tools®, Powerback®, POZI-STOP™, Pressure Wave®, PRO 4000®, Proair®, Quicksand and Design®, Quickset II®, QUIET DRIVE TECHNOLOGY™, QUIET DRIVE TECHNOLOGY AND DESIGN™, Quik-Change®, QUIK-TILT®, RAPID-RELEASE™, RAZOR®, Redefining Performance®, Riptide®, Safe Guard II®, Sand Trap and Design®, Sanding Center®, Saw Boss®, Shop Boss®, Sidekick®, Site Boss®, Speed-Bloc®, Speedmatic®, Stair Ease®, Steel Driver Series®, SUPERDUTY®, T4 & DESIGN®, THE AMERICAN WOODSHOP®, THE PROFESSIONAL EDGE®, Thin-Line®, Tiger Saw®, TIGERCLAW®, TIGERCLAW AND DESIGN®, Torq-Buster®, TRU-MATCH®, T-Square®, Twinlaser®, Unifence®, Uniguard®, UNIRIP®, UNISAW®, UNITED STATES SAW®, Veri-Set®, Versa-Feeder®, VIPER®, VT™, VT RAZOR™, Water Driver®, WATER VROOM®, Waveform®, Whisper Series®, X5®, YOUR ACHIEVEMENT. OUR TOOLS.®

Trademarks noted with ® are registered in the United States Patent and Trademark Office and may also be registered in other countries. Other trademarks may apply. Les marques de commerce suivies du symbole ® sont enregistrées auprès du United States Patent and Trademark Office et peuvent être enregistrées dans d'autres pays. D'autres marques de commerce peuvent également être applicables. Las marcas comerciales con el símbolo ® están registradas en la Oficina de patentes y marcas comerciales de Estados Unidos (United States Patent and Trademark Office), y también pueden estar registradas en otros países. Posiblemente se apliquen otras marcas comerciales registradas.

PORTER  CABLE

4825 Highway 45 North
Jackson, TN 38305
(888) 848-5175
www.portercable.com

**Catalog Number PC305TP
APRIL '09 - REV 0**

**Form #N030685
Printed in China**

Free Manuals Download Website

<http://myh66.com>

<http://usermanuals.us>

<http://www.somanuals.com>

<http://www.4manuals.cc>

<http://www.manual-lib.com>

<http://www.404manual.com>

<http://www.luxmanual.com>

<http://aubethermostatmanual.com>

Golf course search by state

<http://golfingnear.com>

Email search by domain

<http://emailbydomain.com>

Auto manuals search

<http://auto.somanuals.com>

TV manuals search

<http://tv.somanuals.com>