

# Instruction manual

MODEL 7539



# Plunge Routers



MODEL 7538

To learn more about Porter-Cable  
visit our website at:

<http://www.porter-cable.com>

**PORTER-CABLE**  
PROFESSIONAL POWER TOOLS

Copyright © 2004 Porter-Cable Corporation

## IMPORTANT

Please make certain that the person who is to use this equipment carefully reads and understands these instructions before starting operations.

The Model and Serial No. plate is located on the main housing of the tool. Record these numbers in the spaces below and retain for future reference.

Model No. \_\_\_\_\_

Type \_\_\_\_\_

Serial No. \_\_\_\_\_

Part No. 899715 - 12-01-04

# TABLE OF CONTENTS

<b>IMPORTANT SAFETY INSTRUCTIONS</b> .....	2
<b>SAFETY GUIDELINES</b> .....	3
<b>GENERAL SAFETY RULES</b> .....	4
<b>ADDITIONAL SPECIFIC SAFETY RULES</b> .....	6
<b>CARTON CONTENTS</b> .....	8
<b>FUNCTIONAL DESCRIPTION</b> .....	8
<b>ASSEMBLY</b> .....	9
<b>OPERATION</b> .....	12
<b>TROUBLESHOOTING</b> .....	16
<b>MAINTENANCE</b> .....	16
<b>SERVICE</b> .....	17
<b>ACCESSORIES</b> .....	17
<b>WARRANTY</b> .....	18
<b>ESPAÑOL</b> .....	19
<b>FRANÇAISE</b> .....	35
<b>SERVICE CENTER LOCATIONS</b> .....	back cover

## IMPORTANT SAFETY INSTRUCTIONS

**▲ WARNING** Read and understand all warnings and operating instructions before using any tool or equipment. When using tools or equipment, basic safety precautions should always be followed to reduce the risk of personal injury. Improper operation, maintenance or modification of tools or equipment could result in serious injury and property damage. There are certain applications for which tools and equipment are designed. Porter-Cable strongly recommends that this product NOT be modified and/or used for any application other than for which it was designed.

If you have any questions relative to its application DO NOT use the product until you have written Porter-Cable and we have advised you.

Online contact form at [www.porter-cable.com](http://www.porter-cable.com)

Postal Mail: Technical Service Manager  
Porter-Cable Corporation  
4825 Highway 45 North  
Jackson, TN 38305

Information regarding the safe and proper operation of this tool is available from the following sources:

Power Tool Institute

1300 Sumner Avenue, Cleveland, OH 44115-2851

[www.powertoolinstitute.org](http://www.powertoolinstitute.org)

National Safety Council

1121 Spring Lake Drive, Itasca, IL 60143-3201

American National Standards Institute, 25 West 43rd Street, 4 floor, New York, NY 10036 [www.ansi.org](http://www.ansi.org) ANSI 01.1 Safety Requirements for Woodworking Machines, and the U.S. Department of Labor regulations [www.osha.gov](http://www.osha.gov)

**SAVE THESE INSTRUCTIONS!**

# SAFETY GUIDELINES - DEFINITIONS

It is important for you to read and understand this manual. The information it contains relates to protecting YOUR SAFETY and PREVENTING PROBLEMS. The symbols below are used to help you recognize this information.



## **▲ DANGER**

indicates an imminently hazardous situation which, if not avoided, will result in death or serious injury.

## **▲ WARNING**

indicates a potentially hazardous situation which, if not avoided, could result in death or serious injury.

## **▲ CAUTION**

indicates a potentially hazardous situation which, if not avoided, may result in minor or moderate injury.

## **CAUTION**

used without the safety alert symbol indicates potentially hazardous situation which, if not avoided, may result in property damage.

## CALIFORNIA PROPOSITION 65

**▲ WARNING** Some dust created by power sanding, sawing, grinding, drilling, and other construction activities contains chemicals known (to the State of California) to cause cancer, birth defects or other reproductive harm. Some examples of these chemicals are:

- lead from lead-based paints
- crystalline silica from bricks and cement and other masonry products
- arsenic and chromium from chemically-treated lumber

Your risk from these exposures varies, depending on how often you do this type of work. To reduce your exposure to these chemicals: work in a well ventilated area, and work with approved safety equipment, always wear NIOSH/OSHA approved, properly fitting face mask or respirator when using such tools.

# GENERAL SAFETY RULES

**⚠ WARNING** Read all instructions. Failure to follow all instructions listed below may result in electric shock, fire and/or serious injury. The term "power tool" in all of the warnings listed below refers to your mains-operated (corded) power tool or battery-operated (cordless) power tool.



SAVE THESE INSTRUCTIONS

## 1) Work area safety

- a) **Keep work area clean and well lit.** Cluttered or dark areas invite accidents.
- b) **Do not operate power tools in explosive atmospheres, such as in the presence of flammable liquids, gases or dust.** Power tools create sparks which may ignite the dust or fumes.
- c) **Keep children and bystanders away while operating a power tool.** Distractions can cause you to lose control.

## 2) Electrical safety

- a) **Power tool plugs must match the outlet. Never modify the plug in any way. Do not use any adapter plugs with earthed (grounded) power tools.** Unmodified plugs and matching outlets will reduce risk of electric shock.
- b) **Avoid body contact with earthed or grounded surfaces such as pipes, radiators, ranges and refrigerators.** There is an increased risk of electric shock if your body is earthed or grounded.
- c) **Do not expose power tools to rain or wet conditions.** Water entering a power tool will increase the risk of electric shock.
- d) **Do not abuse the cord. Never use the cord for carrying, pulling or unplugging the power tool. Keep cord away from heat, oil, sharp edges or moving parts.** Damaged or entangled cords increase the risk of electric shock.
- e) **When operating a power tool outdoors, use an extension cord suitable for outdoor use.** Use of a cord suitable for outdoor use reduces the risk of electric shock.

## 3) Personal safety

- a) **Stay alert, watch what you are doing and use common sense when operating a power tool. Do not use a power tool while you are tired or under the influence of drugs, alcohol or medication.** A moment of inattention while operating power tools may result in serious personal injury.
- b) **Use safety equipment. Always wear eye protection.** Safety equipment such as dust mask, non-skid safety shoes, hard hat, or hearing protection used for appropriate conditions will reduce personal injuries.
- c) **Avoid accidental starting. Ensure the switch is in the off-position before plugging in.** Carrying power tools with your finger on the switch or plugging in power tools that have the switch on invites accidents.

## GENERAL SAFETY RULES continued

- d) **Remove any adjusting key or wrench before turning the power tool on.** A wrench or a key left attached to a rotating part of the power tool may result in personal injury.
- e) **Do not overreach. Keep proper footing and balance at all times.** This enables better control of the power tool in unexpected situations.
- f) **Dress properly. Do not wear loose clothing or jewelry. Keep your hair, clothing and gloves away from moving parts.** Loose clothes, jewelry or long hair can be caught in moving parts.
- g) **If devices are provided for the connection of dust extraction and collection facilities, ensure these are connected and properly used.** Use of these devices can reduce dust-related hazards.

### 4) Power tool use and care








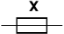


- a) **Do not force the power tool. Use the correct power tool for your application.** The correct power tool will do the job better and safer at the rate for which it was designed.
- b) **Do not use the power tool if the switch does not turn it on and off.** Any power tool that cannot be controlled with the switch is dangerous and must be repaired.
- c) **Disconnect the plug from the power source before making any adjustments, changing accessories, or storing power tools.** Such preventive safety measures reduce the risk of starting the power tool accidentally.
- d) **Store idle power tools out of the reach of children and do not allow persons unfamiliar with the power tool or these instructions to operate the power tool.** Power tools are dangerous in the hands of untrained users.
- e) **Maintain power tools. Check for misalignment or binding of moving parts, breakage of parts and any other condition that may affect the power tools operation. If damaged, have the power tool repaired before use.** Many accidents are caused by poorly maintained power tools.
- f) **Keep cutting tools sharp and clean.** Properly maintained cutting tools with sharp cutting edges are less likely to bind and are easier to control.
- g) **Use the power tool, accessories and tool bits etc., in accordance with these instructions and in the manner intended for the particular type of power tool, taking into account the working conditions and the work to be performed.** Use of the power tool for operations different from those intended could result in a hazardous situation.

### 5) Service

- a) **Have your power tool serviced by a qualified repair person using only identical replacement parts.** This will ensure that the safety of the power tool is maintained.

## ADDITIONAL SPECIFIC SAFETY RULES

1. **Hold power tools by insulated gripping surfaces when performing an operation where the cutting tool may contact hidden wiring or its own cord.** Contact with a "live" wire will make exposed metal parts of the tool "live" and shock the operator.
2. **Use clamps or other practical way to secure and support the workpiece to a stable platform.** Holding the work by hand or against your body is unstable and may lead to loss of control.
3. **DISCONNECT TOOL FROM POWER SOURCE** before making adjustments or changing bits.
4. **TIGHTEN COLLET NUT** securely to prevent the bit from slipping.
5. **USE A CLAMP** or some other device to hold the workpiece rigidly in position and clear the path of the tool of obstructions.
6. **PROVIDE CLEARANCE** under workpiece for router bit when through-cutting.
7. **CHECK TO SEE THAT THE CORD** will not "hang up" during routing operation.
8. **CLEAR THE ROUTER BIT AREA** before starting motor.
9. **MAINTAIN FIRM GRIP** on router to resist starting torque.
10. **KEEP HANDS CLEAR OF BIT** when motor is running to prevent personal injury.
11. **KEEP CUTTING PRESSURE CONSTANT.** Do not overload motor.
12. **LET THE MOTOR COME TO A COMPLETE STOP** before putting the tool down.
13. **NEVER TOUCH** router bits after use. They may be extremely hot.
14. **NEVER TIGHTEN COLLET NUT** without a bit.
15. **DO NOT USE ROUTER BITS** with a diameter in excess of 2-1/2" at RPM above 13,000. Router bits up to 3-1/2" in diameter can be used when speed control is set for 13,000 RPM or less.
16. **ALWAYS KEEP CHIP SHIELD** clean and in place.
17. **AVOID "CLIMB-CUTTING"** (see "Using The Router" section in this manual). "Climb-cutting" increases the chance for loss of control resulting in possible personal injury.
18. **DO NOT HAND-HOLD THE ROUTER IN AN UPSIDE-DOWN OR HORIZONTAL POSITION.** The motor can separate from the base if not properly attached according to the instructions.
19. **Wear eye and hearing protection. Always use safety glasses.** Everyday eyeglasses are NOT safety glasses. USE CERTIFIED SAFETY EQUIPMENT. Eye protection equipment should comply with ANSI Z87.1 standards. Hearing equipment should comply with ANSI S3.19 standards.
20. **⚠ WARNING Use of this tool can generate and disburse dust or other airborne particles, including wood dust, crystalline silica dust and asbestos dust.** Direct particles away from face and body. Always operate tool in well ventilated area and provide for proper dust removal. Use dust collection system wherever possible. Exposure to the dust may cause serious and permanent respiratory or other injury, including silicosis (a serious lung disease), cancer, and death. Avoid breathing the dust, and avoid prolonged contact with dust. Allowing dust to get into your mouth or eyes, or lay on your skin may promote absorption of harmful material. Always use properly fitting NIOSH/OSHA approved respiratory protection appropriate for the dust exposure, and wash exposed areas with soap and water.

SYMBOL	DEFINITION
V	volts
A	amperes
Hz	hertz
W	watts
kW	kilowatts
F	farads
μF	microfarads
l	litres
g	grams
kg	kilograms
bar	bars
Pa	pascals
h	hours
min	minutes
s	seconds
$n_0$	no-load speed
.../min or ...min <sup>-1</sup>	Revolutions or reciprocations per minute
 or d.c.	direct current
 or a.c.	alternating current
2 	two-phase alternating current
2N 	two-phase alternating current with neutral
3 	three-phase alternating current
3N 	three-phase alternating current with neutral
 A	rated current of the appropriate fuse-link in amperes
 X	time-lag miniature fuse-link where X is the symbol for the time/current characteristic, as given in IEC 60127
	protective earth
	class II tool
IPXX	IP symbol

## MOTOR

Many Porter-Cable tools will operate on either D.C., or single phase 25 to 60 cycle A.C. current and voltage within plus or minus 5 percent of that shown on the specification plate on the tool. Several models, however, are designed for A.C. current only. Refer to the specification plate on your tool for proper voltage and current rating.

**CAUTION** Do not operate your tool on a current on which the voltage is not within correct limits. Do not operate tools rated A.C. only on D.C. current. To do so may seriously damage the tool.

## EXTENSION CORD SELECTION

If an extension cord is used, make sure the conductor size is large enough to prevent excessive voltage drop which will cause loss of power and possible motor damage. A table of recommended extension cord sizes will be found in this section. This table is based on limiting line voltage drop to 5 volts (10 volts for 230 volts) at 150% of rated amperes.

If an extension cord is to be used outdoors, it must be marked with the suffix W-A or W following the cord type designation. For example – SJTW-A to indicate it is acceptable for outdoor use.

### RECOMMENDED EXTENSION CORD SIZES FOR USE WITH PORTABLE ELECTRIC TOOLS

		Length of Cord in Feet									
		115V	25 Ft.	50 Ft.	100 Ft.	150 Ft.	200 Ft.	250 Ft.	300 Ft.	400 Ft.	500 Ft.
		230V	50 Ft.	100 Ft.	200 Ft.	300 Ft.	400 Ft.	500 Ft.	600 Ft.	800 Ft.	1000 Ft.
Nameplate Ampere Rating	0-2	18	18	18	16	16	14	14	12	12	
	2-3	18	18	16	14	14	12	12	10	10	
	3-4	18	18	16	14	12	12	10	10	8	
	4-5	18	18	14	12	12	10	10	8	8	
	5-6	18	16	14	12	10	10	8	8	6	
	6-8	18	16	12	10	10	8	6	6	6	
	8-10	18	14	12	10	8	8	6	6	4	
	10-12	16	14	10	8	8	6	6	4	4	
	12-14	16	12	10	8	6	6	6	4	2	
	14-16	16	12	10	8	6	6	4	4	2	
16-18	14	12	8	8	6	4	4	2	2		
18-20	14	12	8	6	6	4	4	2	2		

**SAVE THESE INSTRUCTIONS!**

## CARTON CONTENTS

The contents of the shipping carton include the router, two open-end wrenches, an instruction manual, and a parts list.

## FUNCTIONAL DESCRIPTION

### FOREWORD

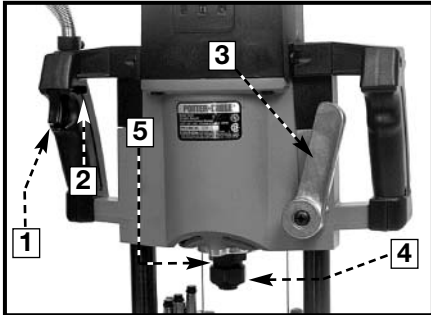
**MODEL 7539 Porter-Cable Router** incorporates a speed control that provides operating speeds from 10,000 RPM to 21,000 RPM to handle the most demanding router applications in various materials.

**MODEL 7538 Porter-Cable Router** is designed for continuous, rugged operation to handle the most demanding routing applications.

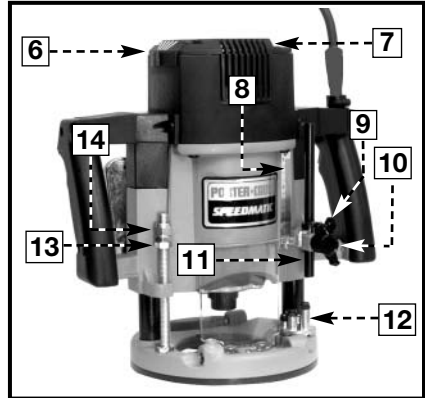


## ASSEMBLY

**NOTE:** This tool is shipped completely assembled. No assembly time or tools are required.



1. Trigger Switch
2. Switch Locking Button
3. Plunge Locking Lever
4. Collet Nut
5. Chuck
6. Speed Selector Knob (7539 only)
7. Circuit Breaker (7538 only)
8. Depth Indicator
9. Depth Indicator Knob



10. Depth Rod Locking Knob
11. Depth Rod
12. Depth Stop Turret
13. Travel Limiting Nuts
14. Stop Nut

### SELECTING THE BIT

**Models 7538 and 7539** accommodate bits with 1/2" diameter shanks that install directly into the power unit collet. Collets are available that will allow the use of bits having 1/4" or 3/8" diameter shanks.

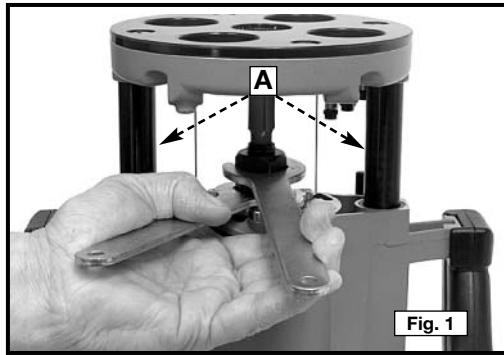
**⚠ CAUTION** **DO NOT USE** router bits with a diameter in excess of 2-1/2", except when using Model 7539, set for either 10,000 or 13,000 RPM. Router bits with a diameter up to 3" may be used with the 7539 motor operating in the 10,000 or 13,000 RPM speeds.

**⚠ WARNING** While preparing the router for use, while making adjustments, and when router is not in use, **ALWAYS DISCONNECT IT FROM THE POWER SOURCE.**

### INSTALLING AND REMOVING THE BIT

**⚠ CAUTION** Confirm that the power switch is in the "OFF" position and that the tool is disconnected from the power source to avoid accidental starting which could result in injury.

1. Place the router upside down on its motor cap (see Fig. 1).
2. Clean and insert the shank of the bit into the collet at least 3/4". If the shank "bottoms" in the router, back it out approximately 1/16" to allow for proper tightening.
3. Place one wrench on the flats on the chuck and one wrench on the collet nut (see Fig. 1). Tighten firmly.
4. To remove the bit, reverse the procedure. If the bit is difficult to remove easily, tap the collet nut with the wrench.



**CAUTION**

Do not allow the wrenches to contact the columns (A) Fig. 1. If the columns are damaged, the plunge action will be restricted.

**CAUTION**

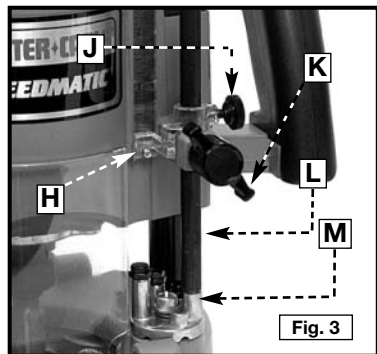
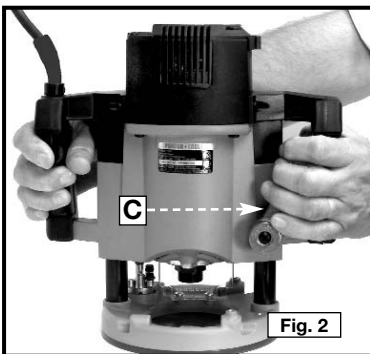
Do not tighten the collet nut without a bit inserted to prevent collet damage.

**ADJUSTING PLUNGE DEPTH**

**⚠ WARNING**

**DISCONNECT TOOL FROM POWER SOURCE.**

1. Loosen the depth rod locking knob (K) Fig. 3, and the depth indicator knob (J), allowing the depth rod (L) to contact one of the turret stops (M). Normally, the deepest desired cut is set with the depth rod resting on the shortest turret stop (see Fig. 4). The other two fixed stops (S) Fig. 6 provide reduced cutting depths of 1/4" and 1/2" respectively. You can position the three adjustable stops (R) Fig. 4 to any height and can use any combination of fixed and/or adjustable stops to achieve the desired depths required.
2. Release the plunge mechanism by pulling the locking lever (C) Fig. 2 to the left, and lower the plunge mechanism until the router bit touches the work surface. Release the lever and push it to the right to lock the mechanism in position.
3. Tighten the depth-rod locking knob (K) Fig. 3.



4. Position the depth indicator (H) Fig. 3 at the "O" position and tighten the knob.
5. Loosen the depth rod locking knob (K) Fig. 3, and raise the depth rod until the indicator aligns with the graduation representing the desired depth of plunge (The example in Fig. 5 shows setting for 1" plunge.) Tighten the depth rod locking knob.
6. To limit the upward travel of the plunge mechanism: (1) release the plunge lock by moving the plunge locking lever (C) Fig. 2 to the left, and move the motor to the desired maximum height; (2) release and push the locking lever to the right to secure the motor in this position; (3) use two 9/16" open-end wrenches (not furnished) to move the travel-limiting nuts (O) Fig. 6 against the top of the motor housing boss (T) Fig. 6. "Jam" the nuts together to lock.

**CAUTION**

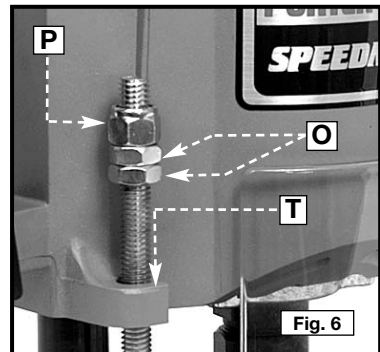
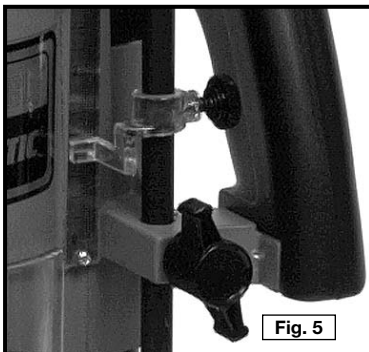
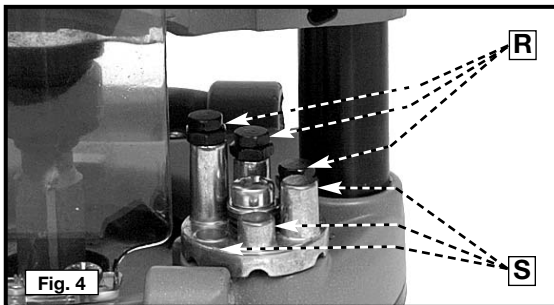
Set the travel limiting nuts so that bit can be retracted into base of router, clear of work.

**CAUTION**

"Jam" the travel limiting nuts together to prevent movement (caused by vibration) which could prevent full bit retraction.

**CAUTION**

**DO NOT** attempt to increase plunge travel by readjusting the stop nut (P) Fig. 6. Increasing the travel beyond 3" can cause mechanism to jam.

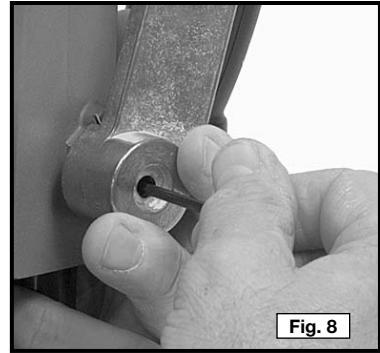
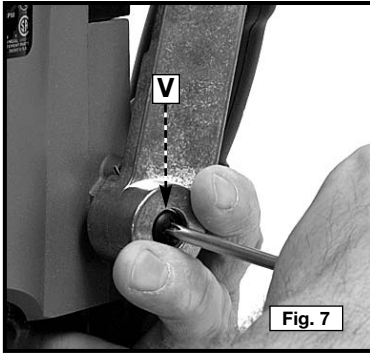


## ADJUSTING PLUNGE LOCKING LEVER

You can adjust the plunge locking mechanism to compensate for wear or to reposition lever (in locked position). To adjust:

### **⚠ WARNING** DISCONNECT TOOL FROM POWER SOURCE.

1. Hold the lever in the upright position (see Fig. 7). Use a phillips screwdriver to remove retaining screw (V) Fig. 7. Continue to hold the lever through the remaining steps.
2. Insert a 1/8" hex wrench (not furnished) into the adjusting screw (see Fig. 8) and turn counter-clockwise approximately 1/2 turn.
3. Move the lever to the desired position and tighten the adjusting screw.
4. Remove the hex wrench and replace the retaining screw.



## OPERATION

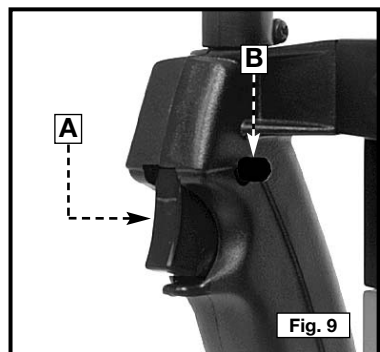
### CONNECTING TO POWER SOURCE

**⚠ CAUTION** Confirm that the switch is “OFF” and the power circuit voltage is the same as the voltage shown on the specification plate. Connect the machine to a power circuit.

### STARTING AND STOPPING THE MOTOR

**⚠ CAUTION** Before starting the router, make sure bit is clear of workpiece and foreign objects. Also keep a firm grip on the router to resist starting torque.

1. Squeeze the trigger switch (A) Fig. 9 to start the motor. Release the trigger switch to stop the motor.
2. To allow the motor to run continuously, press the trigger switch (A), push the lock button (B) Fig. 9, and release the trigger switch.
3. To release the lock button, squeeze the trigger switch and release.



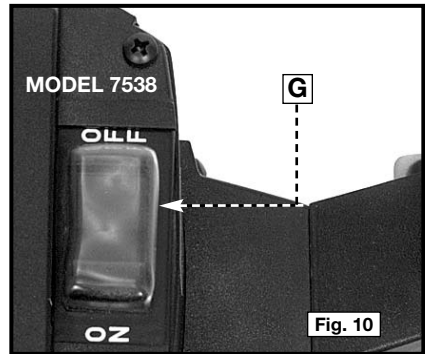
**CAUTION** To avoid injury or damage to finished work, allow the motor to come to a **COMPLETE STOP** before putting it down.

## OVERLOAD PROTECTION

**MODEL 7538** is equipped with a thermal-type circuit breaker (G) Fig. 10, located in the top of the motor. This circuit breaker will shut the motor **"OFF"** if the overload is prolonged.

If the circuit breaker "trips", switch the motor **"OFF"** and:

1. release the trigger switch (A) Fig. 9.
2. determine cause of the overload (i.e. dull bit, low voltage, excessive feed rate, etc.) and correct.
3. allow the router to cool for three minutes.



**CAUTION** Confirm that the trigger switch is **"OFF"** before resetting the circuit breaker to avoid accidental start-up.

4. reset the circuit breaker by pressing the **"ON"** end of circuit breaker.
5. restart the router, using the instructions found in the section **"TO START AND STOP ROUTER"**.

**MODEL 7539** is equipped with an internal overload protector that will shut motor **"OFF"** if the overload is prolonged.

If the motor stops during use:

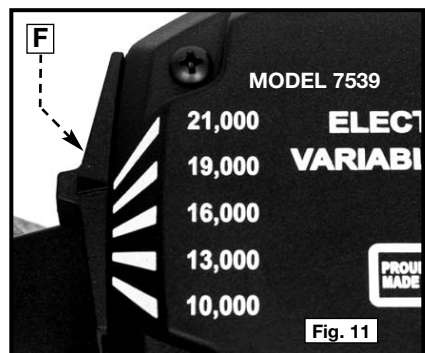
1. release the trigger switch (A) Fig. 9.
2. determine the cause of the overload (i.e. dull bit, low voltage, excessive feed rate, etc.) and correct.
3. allow the router to cool for three minutes.
4. restart the router, using the instructions found in the section **"TO START AND STOP ROUTER"**.

## SOFT START

**MODELS 7538** and **7539** have a "Soft Start" feature designed to minimize startup reaction torque.

## SPEED CONTROL (Model 7539 only)

Five operating speeds from 10,000 RPM to 21,000 RPM are available by moving the speed selector knob (F) Fig. 11. Set the speed prior to engaging the router bit into work. To change the speed after work has begun, stop the router, remove the router from the workpiece, and adjust the speed setting.



# USING THE TOOL

Periodically wipe the columns clean with a dry cloth. **DO NOT** lubricate columns.

**IMPORTANT:** Before using your router, consider the kind and total amount of material to be removed. Depending on the material, it may be necessary to make more than one cut to avoid overloading the motor. Before beginning the cut on the actual workpiece, make a sample cut on a piece of scrap lumber. This will show exactly how the cut will look as well as enable you to check dimensions.

**CAUTION** When through-cutting, be sure the router bit has enough clearance under workpiece.

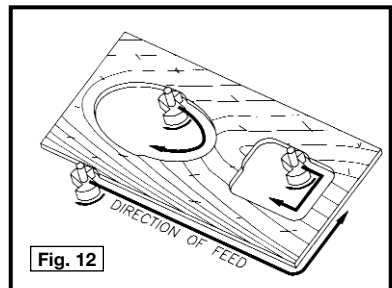
**CAUTION** Firmly clamp or otherwise secure the workpiece before making a cut.

Generally speaking, when working on a bench, hold the workpiece on the bench by wood clamps. When routing edges, hold the router firmly down and against the work by both handles.

Since the cutter rotates clockwise (when viewing router from top), you can cut more efficiently if the router is moved from left to right as you stand facing the work. When working on the inside of a templet, move the router in a clockwise direction. When working on the outside of a templet, move the router in a counter-clock-wise direction.

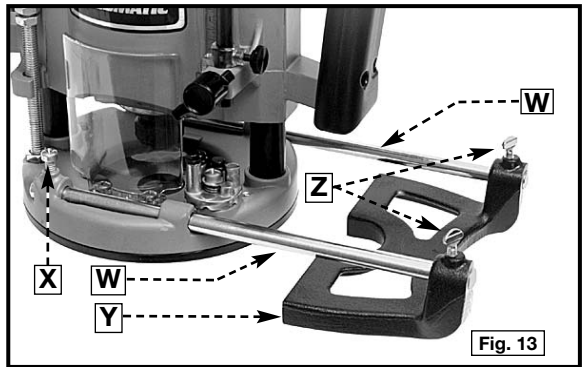
**WARNING** Avoid “Climb-Cutting” (cutting in direction opposite that shown in Fig. 12). “Climb-Cutting” increases the chance for loss of control resulting in possible personal injury. When “Climb-Cutting” is required (backing around a corner), exercise extreme caution to maintain control of router.

The speed and depth of cut will depend largely on the type of material being worked upon. Keep the cutting pressure constant but do not crowd the router so that the motor speed slows excessively. More than one pass may be necessary on exceptionally hard woods or problem materials to get the desired depth of cut.



When making cuts on all four edges of the workpiece, make the first cut on the end of the piece across the grain. Thus, if chipping of wood occurs at the end of a cut, it can be removed when making the next cut parallel with the grain.

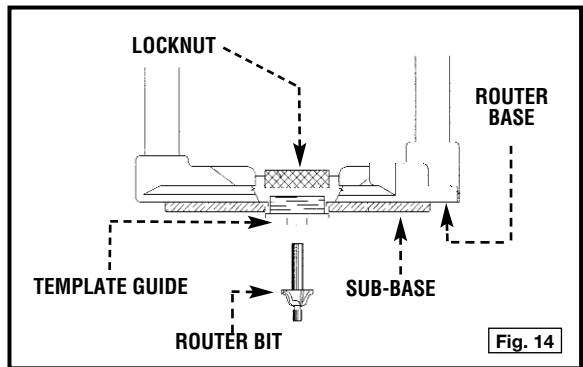
## THE EDGE GUIDE



An accessory edge guide is available to aid in straight edge planing, parallel grooving, dado, or slotting operations.

To attach, insert the grooved end of the guide rods (W) Fig. 13, in holes in base and secure with two screws (X). (**NOTE:** These screws should engage the groove in the guide rod.) Slide the guide (Y) Fig. 13 on the rods, and adjust to the desired position. Secure with the two thumb screws (Z).

## TEMPLATE GUIDES



A wide variety of template guides is available for use in pattern and templet routing operations. A typical combination bit, template guide, and locknut are illustrated in Fig. 14.

**⚠ WARNING** DISCONNECT TOOL FROM POWER SOURCE.

To install, insert the template guide in the center hole of the router base and secure with the locknut.

**Before connecting the router to the power source**, install the bit, adjust the depth of cut, and rotate the chuck by hand to confirm that the bit or collet will not contact the template guide.

# TROUBLESHOOTING GUIDE

For assistance with your tool, visit our website at [www.porter-cable.com](http://www.porter-cable.com) for a list of service centers or call the Porter-Cable help line at 1-800-487-8665.

## MAINTENANCE

### KEEP TOOL CLEAN

Periodically blow out all air passages with dry compressed air. All plastic parts should be cleaned with a soft damp cloth. NEVER use solvents to clean plastic parts. They could possibly dissolve or otherwise damage the material.

**▲WARNING** Wear ANSI Z87.1 safety glasses while using compressed air.

### FAILURE TO START

Should your tool fail to start, check to make sure the prongs on the cord plug are making good contact in the outlet. Also, check for blown fuses or open circuit breakers in the line.

### LUBRICATION

This tool has been lubricated with a sufficient amount of high grade lubricant for the life of the unit under normal operating conditions. No further lubrication is necessary.

### BRUSH INSPECTION (If applicable)

For your continued safety and electrical protection, brush inspection and replacement on this tool should ONLY be performed by an AUTHORIZED PORTER-CABLE SERVICE STATION or a PORTER-CABLE DELTA FACTORY SERVICE CENTER.

At approximately 100 hours of use, take or send your tool to your nearest authorized Porter-Cable Service Station to be thoroughly cleaned and inspected. Have worn parts replaced and lubricated with fresh lubricant. Have new brushes installed, and test the tool for performance.

Any loss of power before the above maintenance check may indicate the need for immediate servicing of your tool. DO NOT CONTINUE TO OPERATE TOOL UNDER THIS CONDITION. If proper operating voltage is present, return your tool to the service station for immediate service.



## SERVICE

### REPLACEMENT PARTS

When servicing use only identical replacement parts. For a service parts list or to learn more about Porter-Cable visit our website at [www.porter-cable.com](http://www.porter-cable.com)

### SERVICE AND REPAIRS

All quality tools will eventually require servicing, or replacement of parts due to wear from normal use. For assistance with your tool, visit our website at [www.porter-cable.com](http://www.porter-cable.com) for a list of service centers or call the Customer Care Department at **1-800-487-8665**. All repairs made by our service centers are fully guaranteed against defective material and workmanship. We cannot guarantee repairs made or attempted by others.

Should you have any questions about your tool, feel free to write us at any time. In any communications, please give all information shown on the nameplate of your tool (model number, type, serial number, etc.).

## ACCESSORIES

A complete line of accessories is available from your Porter-Cable•Delta Supplier, Porter-Cable•Delta Factory Service Centers, and Porter-Cable Authorized Service Stations. Please visit our Web Site [www.porter-cable.com](http://www.porter-cable.com) for a catalog or for the name of your nearest supplier.

**⚠ WARNING** Since accessories other than those offered by Porter-Cable•Delta have not been tested with this product, use of such accessories could be hazardous. For safest operation, only Porter-Cable•Delta recommended accessories should be used with this product.

## **WARRANTY**

### **PORTER-CABLE LIMITED ONE YEAR WARRANTY**

Porter-Cable warrants its Professional Power Tools for a period of one year from the date of original purchase. We will repair or replace at our option, any part or parts of the product and accessories covered under this warranty which, after examination, proves to be defective in workmanship or material during the warranty period. For repair or replacement return the complete tool or accessory, transportation prepaid, to your nearest Porter-Cable Service Center or Authorized Service Station. Proof of purchase may be required. This warranty does not apply to repair or replacement required due to misuse, abuse, normal wear and tear or repairs attempted or made by other than our Service Centers or Authorized Service Stations.

ANY IMPLIED WARRANTY, INCLUDING THE IMPLIED WARRANTIES OF MERCHANTABILITY AND FITNESS FOR A PARTICULAR PURPOSE, WILL LAST ONLY FOR ONE (1) YEAR FROM THE DATE OF PURCHASE.

To obtain information on warranty performance please write to: PORTER-CABLE CORPORATION, 4825 Highway 45 North, Jackson, Tennessee 38305; Attention: Product Service. THE FOREGOING OBLIGATION IS PORTER-CABLE'S SOLE LIABILITY UNDER THIS OR ANY IMPLIED WARRANTY AND UNDER NO CIRCUMSTANCES SHALL PORTER-CABLE BE LIABLE FOR ANY INCIDENTAL OR CONSEQUENTIAL DAMAGES. Some states do not allow limitations on how long an implied warranty lasts or the exclusion or limitation of incidental or consequential damages, so the above limitation or exclusion may not apply to you.

This warranty gives you specific legal rights and you may also have other legal rights which vary from state to state.

# PORTER-CABLE • DELTA SERVICE CENTERS (CENTROS DE SERVICIO DE PORTER-CABLE • DELTA) (CENTRE DE SERVICE PORTER-CABLE • DELTA)

**Parts and Repair Service for Porter-Cable • Delta Power Tools are Available at These Locations  
(Obtenga Reparacion de Partes o Servicio para su Herramienta en los Siguietes Centros de Porter-Cable • Delta)  
(Locations où vous trouverez les pièces de rechange nécessaires ainsi qu'un service d'entretien)**

## ARIZONA

Tempe 85282 (Phoenix)  
2400 West Southern Avenue  
Suite 105  
Phone: (602) 437-1200  
Fax: (602) 437-2200

## CALIFORNIA

Ontario 91761 (Los Angeles)  
3949A East Guasti Road  
Phone: (909) 390-5555  
Fax: (909) 390-5554

San Diego 92111  
7638 Clairemont Blvd.  
Phone: (858) 277-9595  
Fax: (858) 277-9696

San Leandro 94577 (Oakland)  
3039 Teagarden Street  
Phone: (510) 357-9762  
Fax: (510) 357-7939

## COLORADO

Anvada 80003 (Denver)  
8175 Sheridan Blvd., Unit S  
Phone: (303) 487-1809  
Fax: (303) 487-1868

## FLORIDA

Davie 33314 (Miami)  
4343 South State Rd. 7 (441)  
Unit #107  
Phone: (954) 321-6635  
Fax: (954) 321-6638

Tampa 33609  
4538 W. Kennedy Boulevard  
Phone: (813) 877-9585  
Fax: (813) 289-7948

## GEORGIA

Forest Park 30297 (Atlanta)  
5442 Frontage Road,  
Suite 112  
Phone: (404) 608-0006  
Fax: (404) 608-1123

## ILLINOIS

Addison 60101 (Chicago)  
400 South Rohling Rd.  
Phone: (630) 424-8805  
Fax: (630) 424-8895

Woodridge 60517 (Chicago)  
2033 West 75th Street  
Phone: (630) 910-9200  
Fax: (630) 910-0360

## MARYLAND

Elkridge 21075 (Baltimore)  
7397-102 Washington Blvd.  
Phone: (410) 799-9394  
Fax: (410) 799-9398

## MASSACHUSETTS

Franklin 02038 (Boston)  
Franklin Industrial Park  
101 Constitution Blvd.  
Phone: (508) 520-8802  
Fax: (508) 528-8089

## MICHIGAN

Madison Heights 48071 (Detroit)  
30475 Stephenson Highway  
Phone: (248) 597-5000  
Fax: (248) 597-5004

## MINNESOTA

Minneapolis 55429  
5522 Lakeland Avenue North  
Phone: (763) 561-9080  
Fax: (763) 561-0653

## MISSOURI

North Kansas City 64116  
1141 Swift Avenue  
Phone: (816) 221-2070  
Fax: (816) 221-2897

St. Louis 63119

7574 Watson Road  
Phone: (314) 968-8950  
Fax: (314) 968-2790

## NEW YORK

Flushing 11365-1595 (N.Y.C.)  
175-25 Horace Harding Expy.  
Phone: (718) 225-2040  
Fax: (718) 423-9619

## NORTH CAROLINA

Charlotte 28270  
9129 Monroe Road, Suite 115  
Phone: (704) 841-1176  
Fax: (704) 708-4625

## OHIO

Columbus 43214  
4560 Indianola Avenue  
Phone: (614) 263-0929  
Fax: (614) 263-1238

Cleveland 44125  
8001 Sweet Valley Drive  
Unit #19  
Phone: (216) 447-9030  
Fax: (216) 447-3097

## OREGON

Portland 97230  
4916 NE 122 nd Ave.  
Phone: (503) 252-0107  
Fax: (503) 252-2123

## PENNSYLVANIA

Willow Grove 19090 (Philadelphia)  
520 North York Road  
Phone: (215) 658-1430  
Fax: (215) 658-1433

## TEXAS

Carrollton 75006 (Dallas)  
1300 Interstate 35 N, Suite 112  
Phone: (972) 446-2996  
Fax: (972) 446-8157

## Houston 77043

4321 Sam Houston Parkway, West  
Suite 180  
Phone: (713) 983-9910  
Fax: (713) 983-6645

## WASHINGTON

Auburn 98001 (Seattle)  
3320 West Valley HWY, North  
Building D, Suite 111  
Phone: (253) 333-8353  
Fax: (253) 333-9613

Authorized Service Stations are located in many large cities. Telephone **800-487-8665** or **731-541-6042** for assistance locating one. Parts and accessories for Porter-Cable • Delta products should be obtained by contacting any Porter-Cable • Delta Distributor, Authorized Service Center, or Porter-Cable • Delta Factory Service Center. If you do not have access to any of these, call **888-848-5175** and you will be directed to the nearest Porter-Cable • Delta Factory Service Center. Las Estaciones de Servicio Autorizadas están ubicadas en muchas grandes ciudades. Llame al **800-487-8665** ó al **731-541-6042** para obtener asistencia a fin de localizar una. Las piezas y los accesorios para los productos Porter-Cable • Delta deben obtenerse poniéndose en contacto con cualquier distribuidor Porter-Cable • Delta, Centro de Servicio Autorizado o Centro de Servicio de Fábrica Porter-Cable • Delta. Si no tiene acceso a ninguna de estas opciones, llame al **888-848-5175** y le dirigirá al Centro de Servicio de Fábrica Porter-Cable • Delta más cercano. Des centres de service agréés sont situés dans beaucoup de grandes villes. Appelez au **800-487-8665** ou au **731-541-6042** pour obtenir de l'aide pour en repérer un. Pour obtenir des pièces et accessoires pour les produits Porter-Cable • Delta, s'adresser à tout distributeur Porter-Cable • Delta, centre de service agréé ou centre de service d'usine Porter-Cable • Delta. Si vous n'avez accès à aucun de ces centres, appeler le **888-848-5175** et on vous dirigera vers le centre de service d'usine Porter-Cable • Delta le plus proche.

## CANADIAN PORTER-CABLE • DELTA SERVICE CENTERS

### ALBERTA

Bay 6, 2520-23rd St. N.E.  
Calgary, Alberta  
T2E 8L2  
Phone: (403) 735-6166  
Fax: (403) 735-6144

### BRITISH COLUMBIA

8520 Baxter Place  
Burnaby, B.C.  
V5A 4T8  
Phone: (604) 420-0102  
Fax: (604) 420-3522

### MANITOBA

1699 Dublin Avenue  
Winnipeg, Manitoba  
R3H 0H2  
Phone: (204) 633-9259  
Fax: (204) 632-1976

### ONTARIO

505 Southgate Drive  
Guelph, Ontario  
N1H 6M7  
Phone: (519) 767-4132  
Fax: (519) 767-4131

### QUÉBEC

1515 Ave.  
St-Jean Baptiste, Suite 160  
Québec, P.Q.  
G2E 5E2  
Phone: (418) 877-7112  
Fax: (418) 877-7123

1447, Begin  
St-Laurent, (Mt), P.Q.  
H4R 1V8  
Phone: (514) 336-8772  
Fax: (514) 336-3505

The following are trademarks of PORTER-CABLE • DELTA (Las siguientes son marcas registradas de PORTER-CABLE • DELTA S.A.) (Les marques suivantes sont des marques de fabricant de la PORTER-CABLE • DELTA): Auto-Set®, BAMMER®, B.O.S.S.®, Builder's Saw®, Contractor's Saw®, Contractor's Saw II™, Delta®, DELTACRAFT®, DELTAGRAM™, Delta Series 2000™, DURATRAC™, Emc2™, FLEX®, Flying Chips™, FRAME SAW®, Grip Vac™, Homecraft™, INNOVATION THAT WORKS™, Jet-Lock®, JETSTREAM®, kickstand®, LASERLOC®, MICRO-SET®, Micro-Set®, MIDI LATHE®, MORTEN™, NETWORK™, OMNIJUG®, POCKET CUTTER®, PORTA-BAND®, PORTA-PLANE®, PORTER-CABLE® & (design), PORTER-CABLE® PROFESSIONAL POWER TOOLS, PORTER-CABLE REDEFINING PERFORMANCE™, Posi-Matic®, Q-3® & (design), QUICKSAND® & (design), QUICKSET™, QUICKSET II®, QUICKSET PLUS™, RIPTIDE™ & (design), SAFE GUARD II®, SAFE-LOC®, Sanding Center®, SANDTRAP® & (design), SAW BOSS®, Sawbuck™, Sidekick®, SPEED-BLOC®, SPEEDMATIC®, SPEEDTRONIC®, STAIR EASE®, The American Woodshop® & (design), The Lumber Company® & (design), THE PROFESSIONAL EDGE®, THE PROFESSIONAL SELECT®, THIN-LINE™, TIGER®, TIGER CUB®, TIGER SAW®, TORQBUSTER®, TORQ-BUSTER®, TRU-MATCH™, TWIN-LITE®, UNIGUARD®, Unifence®, UNIFEEDER™, Unihand®, Uniplane™, Unirip®, Unisaw®, Univise®, Versa-Feeder®, VERSA-PLANE®, WHISPER SERIES®, WOODWORKER'S CHOICE™.

Trademarks noted with ™ and ® are registered in the United States Patent and Trademark Office and may also be registered in other countries. Las Marcas Registradas con el signo de ™ y ® son registradas por la Oficina de Registros y Patentes de los Estados Unidos y también pueden estar registradas en otros países. Marques déposées, indiquées par la lettre ™ et ®, sont déposées au Bureau des brevets d'invention et marques déposées.

Downloaded from [www.cometools.com](http://www.cometools.com) Manuals Search And Download. 7.2-PTG-F-1

## Free Manuals Download Website

<http://myh66.com>

<http://usermanuals.us>

<http://www.somanuals.com>

<http://www.4manuals.cc>

<http://www.manual-lib.com>

<http://www.404manual.com>

<http://www.luxmanual.com>

<http://aubethermostatmanual.com>

Golf course search by state

<http://golfingnear.com>

Email search by domain

<http://emailbydomain.com>

Auto manuals search

<http://auto.somanuals.com>

TV manuals search

<http://tv.somanuals.com>