

Instruction Manual  
Manuel d'Utilisation  
Manual de Instrucciones



MODELS 690LR, 691, & 690LRVS AND 6931 PLUNGE BASE

**ROUTER**  
**TOUPIES**  
**CONTORNEADORES**

www.porter-cable.com

Copyright © 2007 Porter-Cable

Instructivo de operacion,  
centros de servicio y poliza de garantia.  
ADVERTENCIA: Lease este instructivo antes de usarel producto.

A22440-02-06-07-Rev.A

**PORTER-CABLE**

**General Safety Rules**

**WARNING:** Read all instructions. Failure to follow all instructions listed below may result in electric shock, fire and/or serious injury. The term "power tool" in all of the warnings listed below refers to your mains-operated (corded) power tool or battery-operated (cordless) power tool.

**SAVE THESE INSTRUCTIONS**

- 1) **Work area safety**
  - a) **Keep work area clean and well lit.** Cluttered or dark areas invite accidents.
  - b) **Do not operate power tools in explosive atmospheres, such as in the presence of flammable liquids, gases or dust.** Power tools create sparks which may ignite the dust or fumes.
  - c) **Keep children and bystanders away while operating a power tool.** Distractions can cause you to lose control.
- 2) **Electrical safety**
  - a) **Power tool plugs must match the outlet. Never modify the plug in any way. Do not use any adapter plugs with earthed (grounded) power tools.** Unmodified plugs and matching outlets will reduce risk of electric shock.
  - b) **Avoid body contact with earthed or grounded surfaces such as pipes, radiators, ranges and refrigerators.** There is an increased risk of electric shock if your body is earthed or grounded.
  - c) **Do not expose power tools to rain or wet conditions.** Water entering a power tool will increase the risk of electric shock.
  - d) **Do not abuse the cord. Never use the cord for carrying, pulling or unplugging the power tool. Keep cord away from heat, oil, sharp edges or moving parts.** Damaged or entangled cords increase the risk of electric shock. Use only 3-wire extension cords that have 3-prong grounding-type plugs and 3-pole receptacles that accept the tool's plug.
  - e) **When operating a power tool outdoors, use an extension cord suitable for outdoor use.** If an extension cord is to be used outdoors, it must be marked with the suffix W-A or W following the cord type designation. Use of a cord suitable for outdoor use reduces the risk of electric shock. When using an extension cord, be sure to use one heavy enough to carry the current your product will draw. An undersized cord will cause a drop in line voltage resulting in loss of power and overheating. The following table shows the correct size to use depending on cord length and nameplate ampere rating. If in doubt, use the next heavier gauge. The smaller the gauge number, the heavier the cord.

**Minimum Gauge for Cord Sets**

Volts	Total Length of Cord in Feet			
120V	0-25	26-50	51-100	101-150
240V	0-50	51-100	101-200	201-300
Ampere Rating	Gauge of wire in AWG units			
From 10 to 12 amps	16	16	14	12

- 3) **Personal safety**
  - a) **Stay alert, watch what you are doing and use common sense when operating a power tool. Do not use a power tool while you are tired or under the influence of drugs, alcohol or medication.** A moment of inattention while operating power tools may result in serious personal injury.
  - b) **Use safety equipment. Always wear eye protection.** Safety equipment such as dust mask, non-skid safety shoes, hard hat, or hearing protection used for appropriate conditions will reduce personal injuries.
  - c) **Avoid accidental starting. Be sure the switch is in the off-position before plugging in.** Carrying power tools with your finger on the switch or plugging in power tools that have the switch on invites accidents.
  - d) **Remove any adjusting key or wrench before turning the power tool on.** A wrench or a key left attached to a rotating part of the power tool may result in personal injury.
  - e) **Do not overreach. Keep proper footing and balance at all times.** This enables better control of the power tool in unexpected situations.
  - f) **Dress properly. Do not wear loose clothing or jewelry. Keep your hair, clothing and gloves away from moving parts.** Loose clothes, jewelry or long hair can be caught in moving parts. Air vents often cover moving parts and should also be avoided.
  - g) **If devices are provided for the connection of dust extraction and collection facilities, ensure these are connected and properly used.** Use of these devices can reduce dust-related hazards.
- 4) **Power tool use and care**
  - a) **Do not force the power tool. Use the correct power tool for your application.** The correct power tool will do the job better and safer at the rate for which it was designed.
  - b) **Do not use the power tool if the switch does not turn it on and off.** Any power tool that cannot be controlled with the switch is dangerous and must be repaired.
  - c) **Disconnect the plug from the power source before making any adjustments, changing accessories, or storing power tools.** Such preventive safety measures reduce the risk of starting the power tool accidentally.
  - d) **Store idle power tools out of the reach of children and do not allow persons unfamiliar with the power tool or these instructions to operate the power tool.** Power tools are dangerous in the hands of untrained users.
  - e) **Maintain power tools. Check for misalignment or binding of moving parts, breakage of parts and any other condition that may affect the power tools operation. If damaged, have the power tool repaired before use.** Many accidents are caused by poorly maintained power tools.
  - f) **Keep cutting tools sharp and clean.** Properly maintained cutting tools with sharp cutting edges are less likely to bind and are easier to control.
  - g) **Use the power tool, accessories and tool bits etc., in accordance with these instructions and in the manner intended for the particular type of power tool, taking into account the working conditions and the work to be performed.** Use of the power tool for operations different from those intended could result in a hazardous situation.
- 5) **Service**
  - a) **Have your power tool serviced by a qualified repair person using only identical replacement parts.** This will ensure that the safety of the power tool is maintained.

**ADDITIONAL SPECIFIC SAFETY RULES**

- Hold tool by insulated gripping surfaces when performing an operation where the cutting tool may contact hidden wiring or its own cord. Contact with a "live" wire will make exposed metal parts of the tool "live" and shock the operator.
- Use clamps or another practical way to secure and support the workpiece to a stable platform. Holding the work by hand or against your body leaves it unstable and may lead to loss of control.
- Metal cutting with router: If using router for metal cutting, clean out tool often. Metal dust and

chips often accumulate on interior surfaces and could create a risk of serious injury, electrical shock or death.

- Never run the motor unit when it is not inserted in one of the router bases. The motor is not designed to be handheld.
- Keep handles dry, clean, and free from oil and grease. This will enable better control of the tool.
- Keep hands away from cutting area. Never reach under the workpiece for any reason. Keep the router base firmly in contact with the workpiece when cutting. Hold the router only by the handles. These precautions will reduce the risk of personal injury.
- Use sharp cutters. Dull cutters may cause the router to swerve or stall under pressure.
- Never touch the bit immediately after use. It may be extremely hot.
- Be sure that the motor has stopped completely before you lay the router down. If the cutter head is still spinning when the tool is laid down, it could cause injury or damage.
- Be sure that the router bit is clear of the workpiece before starting the motor. If the bit is in contact with the workpiece when the motor starts it could make the router jump, causing damage or injury.
- Do not press spindle lock button while the motor is running. Doing so can damage the spindle lock.

**WARNING:** Wear appropriate hearing protection during use [ANSI S12.6 (S3.19)]. Under some conditions and duration of use, noise from this product may contribute to hearing loss.

**WARNING:** Some dust created by power sanding, sawing, grinding, drilling, and other construction activities contains chemicals known to cause cancer, birth defects or other reproductive harm. Some examples of these chemicals are:

- lead from lead-based paint.
- crystalline silica from bricks and cement and other masonry products.
- arsenic and chromium from chemically-treated lumber (CCA).

Your risk from these exposures varies, depending on how often you do this type of work. To reduce your exposure to these chemicals: work in a well ventilated area, and work with approved safety equipment, such as those dust masks that are specially designed to filter out microscopic particles.

**WARNING:** Avoid prolonged contact with dust from power sanding, sawing, grinding, drilling, and other construction activities. Wear protective clothing and wash exposed areas with soap and water. Allowing dust to get into your mouth, eyes, or lay on the skin may promote absorption of harmful chemicals.

**WARNING:** Use of this tool can generate and/or disburse dust, which may cause serious and permanent respiratory or other injury. Always use NIOSH/OSHA approved respiratory protection appropriate for the dust exposure. Direct particles away from face and body.

**WARNING:** ALWAYS USE SAFETY GLASSES. Everyday eyeglasses are NOT safety glasses. Also use face or dust mask if cutting operation is dusty. ALWAYS WEAR CERTIFIED SAFETY EQUIPMENT:

- ANSI Z87.1 eye protection (CAN/CSA Z94.3)
- ANSI S12.6 (S3.19) hearing protection
- NIOSH/OSHA/MSHA respiratory protection

**SYMBOLS**

The label on your tool may include the following symbols. The symbols and their definitions are as follows:

V..... volts	A..... amperes
Hz..... hertz	W ..... watts
min ..... minutes	~ ..... alternating current
— — — ..... direct current	n <sub>0</sub> ..... no load speed
Ⓛ ..... Class I Construction (grounded)	Ⓧ ..... earthing terminal
Ⓛ ..... Class II Construction (double insulated)	▲ ..... safety alert symbol
BPM.....beats per minute	.../min ..... revolutions or reciprocations per minute

**SAVE THESE INSTRUCTIONS**

**MOTOR**

**CAUTION:** Do not operate your tool on a current on which the voltage is not within correct limits. Do not operate tools rated A.C. only on D.C. current. To do so may seriously damage the tool.

**OPERATION**

**WARNING:** To reduce the risk of injury, turn unit off and disconnect it from power source before installing and removing accessories, before adjusting or when making repairs. An accidental start-up can cause injury.

**WARNING:** Use router bits with a diameter larger than 2-1/2" ONLY when the speed control is set between 10,000 and 13,000 RPM. The maximum diameter bit is 3-1/2".

**INSTALLING THE BIT (1001 BASE)**

**WARNING:** To reduce the risk of injury, turn unit off and disconnect it from power source before installing and removing accessories, before adjusting or when making repairs. An accidental start-up can cause injury.

To remove the motor unit from the base unit:

1. (a) Open the clamp (A) Fig. 1.
- (b) While holding the base, turn the power unit COUNTER-CLOCKWISE until the lower pin (B) in the motor housing is disengaged from groove in base.
- (c) Lift the power unit free from the base unit.
2. Clean and insert the shank of the bit into the collet until the shank bottoms, then back it out approximately 1/16".
3. Lay the power unit on its side on a bench with the collet pointing AWAY from you.
4. Place one wrench on the flats of the chuck with the opposite end of the wrench resting on the bench to your left (Fig. 2).
5. Place the other wrench on the collet and tighten COUNTER-CLOCKWISE. Tighten firmly.
6. To remove the bit, reverse the procedure.

**CAUTION:** Avoid possible damage to the collet. Never tighten the collet without a bit.

**INSTALLING THE MOTOR**

**WARNING:** To reduce the risk of injury, turn unit off and disconnect it from power source before installing and removing accessories, before adjusting or when making repairs. An accidental start-up can cause injury.

1. Open the clamp (A) Fig. 1 and set the power unit in the base unit.
2. Align the lower pin of the power unit (B) Fig. 1 with the groove in the base.
3. Rotate the power unit CLOCKWISE into the base until the upper guide pins are set in the groove of the base.
4. Close the clamp.

**ADJUSTING THE DEPTH OF CUT**

**WARNING:** To reduce the risk of injury, turn unit off and disconnect it from power source before installing and removing accessories, before adjusting or when making repairs. An accidental start-up can cause injury.

1. Open the clamp (A) Fig. 3.
2. Hold the base (E) and turn the power unit (F) Fig. 3 counter-clockwise until the tip of the bit is above the bottom of the base.
3. Set the tool on a flat surface.
4. Turn the power unit (F) Fig. 3 clockwise until the bit touches the work.
5. Close the clamp (A) Fig. 3.
6. Rotate the depth adjusting ring (B) Fig. 3 until the zero-line (C) is opposite the index line (D) on the housing.
7. Open the clamp (A) Fig. 3.
8. Tip the router so that the bit is clear of the work surface. Turn the power unit (F) Fig. 3 clockwise until the index line (D) on the motor housing reaches the desired depth indicated on the ring.
9. Close the clamp (A) Fig. 3.

**NOTE:** Setting the index line to 1/4" on the ring means the cutting edge of the bit is exposed 1/4" below the base.

**ADJUSTING THE SUB-BASE ALIGNMENT (Plunge Base)**

**WARNING:** To reduce the risk of injury, turn unit off and disconnect it from power source before installing and removing accessories, before adjusting or when making repairs. An accidental start-up can cause injury.

Applications using a template guide require the bit to be centered in the guide. This, in turn, requires the center hole in the sub-base to be in line with the collet of the motor unit. Your model has an adjustable sub-base that has been aligned at the factory. The fixed-base router comes with the large hole.

1. Loosen the sub-base mounting screws (C) Fig. 4 just enough to allow the sub-base (D) to move.
2. Open the clamp (A) and adjust the power unit so that the collet nut (B) engages the center hole in the sub-base (D). Allow the sub-base to center itself on the collet nut. Close the clamp.
3. Tighten the sub-base mounting screws (C) Fig. 4 securely.

**INSTALLING THE MOTOR (6931 Plunge Base)**

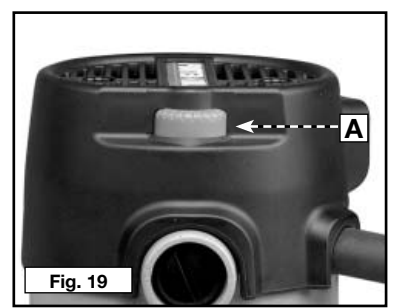
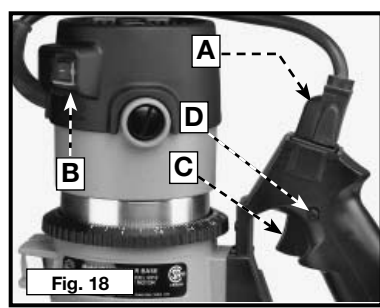
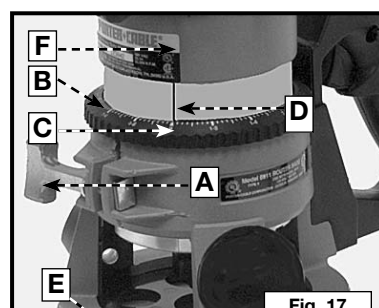
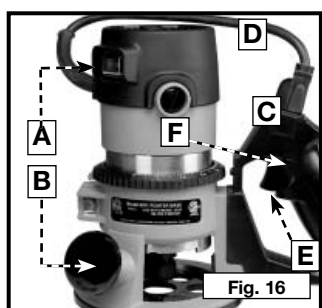
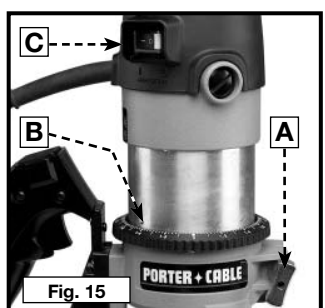
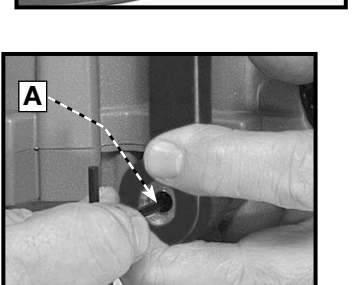
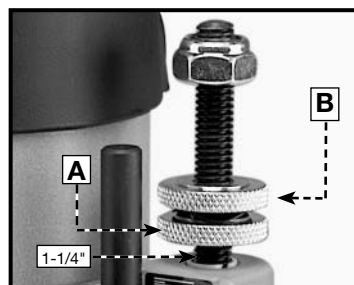
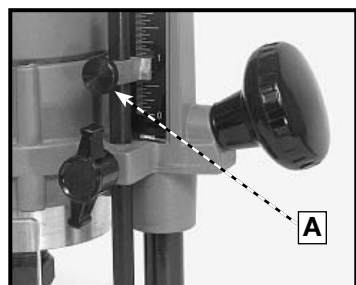
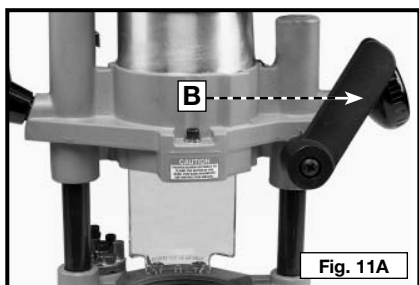
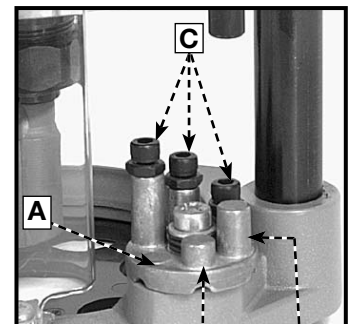
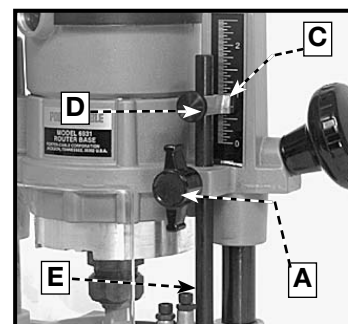
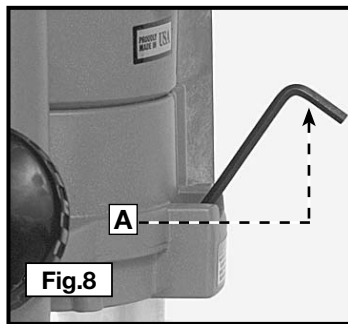
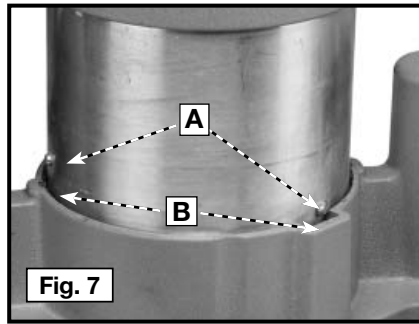
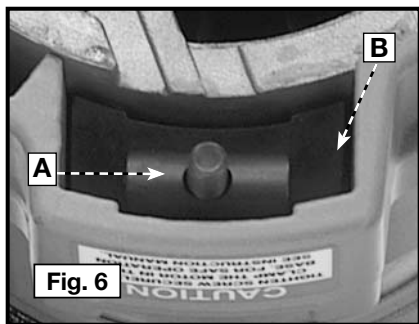
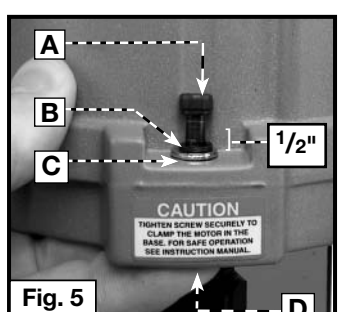
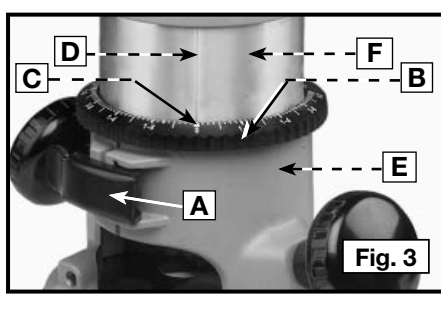
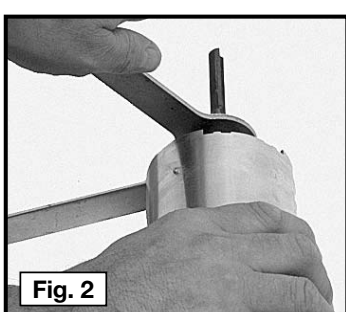
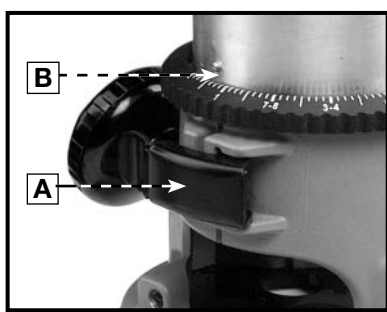
**WARNING:** To reduce the risk of injury, turn unit off and disconnect it from power source before installing and removing accessories, before adjusting or when making repairs. An accidental start-up can cause injury.

1. Support the motor clamp (D) Fig. 5 and loosen the motor clamp screw (A) Fig. 5 approximately 1/2" with the hex wrench (furnished).
2. Insert the motor unit into the base with the switch positioned at the front of the left handle. Align the four pins (A) Fig. 7 (two of which are shown) in the motor case with the slots (B) Fig. 6 in the base.
3. Seat the motor in the base and tighten the motor clamp screw.

**REMOVING THE MOTOR**

**WARNING:** To reduce the risk of injury, turn unit off and disconnect it from power source before installing and removing accessories, before adjusting or when making repairs. An accidental start-up can cause injury.

1. Remove the clamp screw (A) Fig. 5, flat washer (B), lock washer (C), and clamp-locking nut (A) Fig. 6.
2. Insert the hex wrench (A) Fig. 8 to contact the locking plate (B) Fig. 6. Tap lightly to release and remove the locking plate.
3. Slide the motor out of the base.
4. Reattach the clamp screw, lock washer, flat washer, locking plate and clamp locking nut to the base and tighten lightly.



## ADJUSTING THE PLUNGE BASE

**▲WARNING:** To reduce the risk of injury, turn unit off and disconnect it from power source before installing and removing accessories, before adjusting or when making repairs. An accidental start-up can cause injury.

- Loosen the depth rod locking knob (A) Fig. 9, and the depth indicator knob (D), allowing the depth rod (E) to contact one of the turret stops (B). Normally the deepest desired cut is set with the depth rod resting on the shortest turret stop (A) Fig. 10. The other two fixed stops (B) Fig. 10 provide reduced cutting depths of 1/4" and 1/2" respectively. You can adjust the three stops (C) Fig. 10 to any desired height. You can utilize any combination of fixed and/or adjustable stops to achieve the desired depths required for a particular job.
- Release the plunge mechanism by pulling the locking lever (B) Fig. 11A to the left. Lower the plunge mechanism until the router bit touches the work surface. Release the lever and push it to the right to lock the mechanism in this position.
- Tighten the depth-rod locking knob.
- Position the depth indicator (A) Fig. 11B at the "0" position and tighten the knob.
- Loosen depth-rod locking knob (A) Fig. 9. Raise the indicator until it aligns with the graduation representing the desired depth of plunge. (The example in Fig. 12 shows setting for 1" plunge.)
- Turn the lower travel-limiting nut (A) Fig. 12 until it is approximately 1/4" above the top of the the plunge housing. While holding the lower nut, turn the upper nut (B) until it "jams" against the lower nut (A) Fig. 12.

**▲CAUTION:** Jam the travel-limiting nuts together to prevent movement (caused by vibration) which could prevent full bit retraction.

**▲CAUTION:** Set the travel limiting nuts so that bit can be retracted into the base of the router, clear of the workpiece.

**▲CAUTION:** DO NOT attempt to increase the plunge travel by readjusting the stop nut. Increasing the travel beyond 2-1/2" can cause the mechanism to jam.

## ADJUSTING THE PLUNGE LOCKING LEVER

**▲WARNING:** To reduce the risk of injury, turn unit off and disconnect it from power source before installing and removing accessories, before adjusting or when making repairs. An accidental start-up can cause injury.

You can adjust the plunge-locking mechanism to reposition the lever (in the locked position), or to compensate for wear.

- While holding the lever in the upright position (Fig. 13), remove the retaining screw. Continue to hold the lever through the remaining steps.
- Use an 1/8" hex wrench (A) Fig. 14 (not furnished) to turn the adjustment screw counter-clockwise approximately 1/2 turn.
- Move the lever to the desired locked position and tighten the adjustment screw.
- Remove the hex wrench and replace the retaining screw.

## ATTACHING THE POWER UNIT TO THE "D" HANDLE BASE

**▲WARNING:** To reduce the risk of injury, turn unit off and disconnect it from power source before installing and removing accessories, before adjusting or when making repairs. An accidental start-up can cause injury.

- Loosen the clamp screw (A) Fig. 15 to set the power unit in the base unit.
- With the motor switch (C) Fig. 15 in the "ON" position, insert the motor unit into the base aligning the lower pin (B) with the groove in the base.
- Rotate the motor unit into the base CLOCKWISE until the motor switch (A) Fig. 16 is directly above the knob handle (B).
- Connect the motor unit cord to the outlet in handle (C) Fig. 16.
- Continue rotating the motor unit into the base until upper guide pins set rigidly into base.
- Tighten the clamp screw firmly.

## ADJUSTING THE DEPTH OF CUT

**▲WARNING:** To reduce the risk of injury, turn unit off and disconnect it from power source before installing and removing accessories, before adjusting or when making repairs. An accidental start-up can cause injury.

- Loosen the clamp screw (A) Fig. 17.
- Hold the base (E) and turn the motor unit (F) Fig. 17 counter-clockwise until the tip of the bit is above the bottom of the base.
- Set the router on a flat surface.
- Turn the motor unit (F) Fig. 17 clockwise until bit touches the wood surface.
- Tighten the clamp screw (A) Fig. 17.
- Rotate the depth adjusting ring (B) Fig. 17 until the zero-line (C) is opposite the index line (D) on the housing.
- Loosen the clamp screw (A) Fig. 17.
- Tip the router so that the bit is clear of the wood surface. Turn the motor unit (F) Fig. 17 clockwise until the index line (D) on the motor housing reaches the desired depth indicated on the ring.
- Tighten the clamp screw (A) Fig. 17 firmly.

NOTE: Setting the index line to 1/4" on the ring means the cutting edge of the bit is exposed 1/4" below the base.

## CONNECTING TO POWER SOURCE

**▲CAUTION:** Before connecting tool to power source, check to see that the switch is in the "OFF" position. Also, check the power circuit to see that it is the same as that shown on specification plate of the tool.

## STARTING AND STOPPING THE MOTOR

**▲CAUTION:** Before starting the tool, clear the work area of all foreign objects. Also keep firm grip on tool to resist starting torque.

To start the tool, move the rocker switch (A) Fig. 18 to the "ON" or "1" position. To stop the tool, move the rocker switch to the "OFF" or "0" position.

**▲CAUTION:** To avoid personal injury and/or damage to finished work, always allow the power unit to come to a COMPLETE STOP before putting the tool down.

## STARTING AND STOPPING THE MOTOR - "D" HANDLE

**▲CAUTION:** Before starting the tool, clear the work area of all foreign objects. Also keep a firm grip on the tool to resist starting torque.

**▲CAUTION:** To avoid injury and/or damage to finished work, always allow motor to come to a COMPLETE STOP before putting the tool down.

Check to see that the motor unit power cord (D) Fig. 16 is plugged into the handle, and that the switch (A) on the motor is set to the "ON" position. The starting and stopping of the motor is then controlled by pressing and releasing the trigger switch (E) Fig. 16 in the handle of the base.

To allow the tool to run without continually pressing the trigger, press the trigger (E) into the handle and engage the switch locking button (F) on the side of the handle. While holding the button in, slowly release the trigger. To stop the tool, squeeze the trigger into the handle and release.

**▲CAUTION:** To avoid injury and/or damage to finished work, always allow motor to come to a COMPLETE STOP before putting the tool down.

## VARIABLE SPEED CONTROL (690LRVS)

This router is equipped with a variable speed control (A) Fig. 19 with an infinite number of speeds between 10,000 and 27,000 RPM. Adjust the speed by turning the speed control knob (A), labeled 1 through 4, with 1 being the slowest speed and 4 being the highest.

## USING THE TOOL

**▲CAUTION:** Always be sure the work is rigidly clamped or otherwise secured before making a cut. When routing the edges, hold the router firmly down and against the work with both guiding knobs. Since the cutter rotates clockwise (when viewing router from top), the router should be moved from left to right as you stand facing the work.

When working on the inside of a template, move the router in a clockwise direction. When working on the outside of a template, move the router in a counter-clockwise direction.

**▲WARNING:** Avoid "Climb-Cutting" (cutting in direction opposite that shown in Fig. 20). "Climb-Cutting" increases the chance for loss of control resulting in possible injury. When "Climb-Cutting" is required (backing around a corner), exercise extreme caution to maintain control of router. The speed and depth of cut will depend largely on the workpiece. Keep the cutting pressure constant but do not crowd the router so the motor speed slows excessively. On exceptionally hard woods or problem materials, more than one pass at various settings may be necessary to get the desired depth of cut.

When making cuts on all four edges of the workpiece, make the first cut on the end of the piece across the grain. If chipping of wood occurs at the end of a cut, it will be removed when making the next cut parallel with the grain. Periodically wipe columns clean with a dry cloth. DO NOT lubricate the columns.

## TROUBLESHOOTING

For assistance with your tool, visit our website at [www.porter-cable.com](http://www.porter-cable.com) for a list of service centers, or call the Porter-Cable Customer Care Center at (888) 848-5175.

## MAINTENANCE

**▲WARNING:** To reduce the risk of injury, turn unit off and disconnect it from power source before installing and removing accessories, before adjusting or when making repairs. An accidental start-up can cause injury.

## REPAIRS

For assistance with your tool, visit our website at [www.porter-cable.com](http://www.porter-cable.com) for a list of service centers, or call the Porter-Cable Customer Care Center at (888) 848-5175.

## CLEANING

Periodically blow out all air passages with dry compressed air.

**▲WARNING:** Wear ANSI Z87.1 safety glasses while using compressed air.

Use only mild soap and a damp cloth to clean the tool.

**▲CAUTION:** Never let any liquid get inside the tool; never immerse any part of the tool into a liquid.

**▲CAUTION:** Never use solvents or other harsh chemicals for cleaning the non-metallic parts of the tool.

## FAILURE TO START

Should your tool fail to start, check to make sure the prongs on the cord plug are making good contact in the outlet. Also, check for blown fuses or open circuit breakers in the line.

## LUBRICATION

This tool has been lubricated with a sufficient amount of high grade lubricant for the life of the unit under normal operating conditions. No further lubrication is necessary.

## BRUSH INSPECTION (If applicable)

For your continued safety and electrical protection, brush inspection and replacement on this tool should ONLY be performed by a PORTER-CABLE FACTORY SERVICE CENTER OR PORTER-CABLE AUTHORIZED WARRANTY SERVICE CENTER.

At approximately 100 hours of use, take or send your tool to your nearest Porter-Cable Factory Service Center or Porter-Cable Authorized Warranty Service Center to be thoroughly cleaned and inspected. Have worn parts replaced and lubricated with fresh lubricant. Have new brushes installed, and test the tool for performance.

Any loss of power before the above maintenance check may indicate the need for immediate servicing of your tool. DO NOT CONTINUE TO OPERATE TOOL UNDER THIS CONDITION. If proper operating voltage is present, return your tool to the service station for immediate service.

## SERVICE

### REPLACEMENT PARTS

Use only identical replacement parts. For a parts list or to order parts, visit our website at [www.porter-cable.com](http://www.porter-cable.com). You can also order parts from your nearest Porter-Cable Factory Service Center or Porter-Cable Authorized Warranty Service Center. Or, you can call our Customer Care Center at (888) 848-5175.

### SERVICE AND REPAIRS

All quality tools will eventually require servicing and/or replacement of parts. For information about Porter-Cable, its factory service centers or authorized warranty service centers, visit our website at [www.porter-cable.com](http://www.porter-cable.com) or call our Customer Care Center at (888) 848-5175. All repairs made by our service centers are fully guaranteed against defective material and workmanship. We cannot guarantee repairs made or attempted by others.

You can also write to us for information at PORTER-CABLE, 4825 Highway 45 North, Jackson, Tennessee 38305 - Attention: Product Service. Be sure to include all of the information shown on the nameplate of your tool (model number, type, serial number, etc.).

## ACCESSORIES

A complete line of accessories is available from your Porter-Cable Factory Service Center or a Porter-Cable Authorized Warranty Service Center. Please visit our Web Site [www.porter-cable.com](http://www.porter-cable.com) for a catalog or for the name of your nearest supplier.

**▲WARNING:** Since accessories other than those offered by Porter-Cable have not been tested with this product, use of such accessories could be hazardous. For safest operation, only Porter-Cable recommended accessories should be used with this product.

## WARRANTY

To register your tool for warranty service visit our website at [www.porter-cable.com](http://www.porter-cable.com).

PORTER-CABLE LIMITED ONE YEAR WARRANTY: Porter-Cable warrants its Professional Power Tools for a

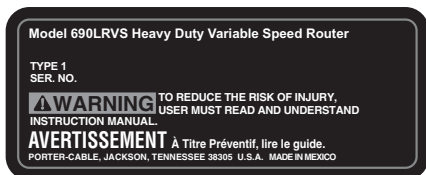
period of one year from the date of original purchase. We will repair or replace at our option, any part or parts of the product and accessories covered under this warranty which, after examination, proves to be defective in workmanship or material during the warranty period. For repair or replacement return the complete tool or accessory, transportation prepaid, to your nearest Porter-Cable Factory Service Center or Porter-Cable Authorized Warranty Service Center. Proof of purchase may be required. This warranty does not apply to repair or replacement required due to misuse, abuse, normal wear and tear or repairs attempted or made by other than our service centers or authorized warranty service centers.

ANY IMPLIED WARRANTY, INCLUDING THE IMPLIED WARRANTIES OF MERCHANTABILITY AND FITNESS FOR A PARTICULAR PURPOSE, WILL LAST ONLY FOR ONE (1) YEAR FROM THE DATE OF PURCHASE. To obtain information on warranty performance please write to: PORTER-CABLE, 4825 Highway 45 North, Jackson, Tennessee 38305; Attention: Product Service. THE FOREGOING OBLIGATION IS PORTER-CABLE'S SOLE LIABILITY UNDER THIS OR ANY IMPLIED WARRANTY AND UNDER NO CIRCUMSTANCES SHALL PORTER-CABLE BE LIABLE FOR ANY INCIDENTAL OR CONSEQUENTIAL DAMAGES. Some states do not allow limitations on how long an implied warranty lasts or the exclusion or limitation of incidental or consequential damages, so the above limitation or exclusion may not apply to you.

This warranty gives you specific legal rights and you may also have other legal rights which vary from state to state.

## WARNING LABEL REPLACEMENT

If your warning labels become illegible or are missing, call (888) 848-5175 for a free replacement.



## MESURES DE SÉCURITÉ - DÉFINITIONS

**▲ DANGER :** Indique une situation dangereuse imminente qui, si elle n'est pas évitée, causera la mort ou des blessures graves.

**▲ AVERTISSEMENT :** Indique une situation potentiellement dangereuse qui, si elle n'est pas évitée, pourrait se solder par un décès ou des blessures graves.

**▲ ATTENTION :** Indique une situation potentiellement dangereuse qui, si elle n'est pas évitée pourrait se solder par des blessures mineures ou modérées.

**▲ ATTENTION :** Utilisé sans le symbole d'alerte à la sécurité, indique une situation potentiellement dangereuse qui, si elle n'est pas évitée pourrait se solder par des dommages à la propriété.

## Règles Générales Sur la Sécurité

**▲ AVERTISSEMENT :** Lire toutes les directives. Tout manquement aux directives suivantes pose des risques de choc électrique, d'incendie et/ou de blessure grave. Le terme « outil électrique » dans tous les avertissements ci-après se rapporte à votre outil électrique à alimentation sur secteur (avec fil) ou par piles (sans fil).

## CONSERVER CES DIRECTIVES

- Sécurité du lieu de travail**
  - Tenir la zone de travail propre et bien éclairée.** Les lieux encombrés ou sombres sont propices aux accidents.
  - Ne pas faire fonctionner d'outils électriques dans un milieu déflagrant, soit en présence de liquides, de gaz ou de poussières inflammables.** Les outils électriques produisent des étincelles qui peuvent enflammer la poussière ou les vapeurs.
  - Éloigner les enfants et les personnes à proximité pendant l'utilisation d'un outil électrique.** Une distraction pourrait vous en faire perdre la maîtrise.
- Sécurité en matière d'électricité**
  - La fiche de l'outil électrique doit être compatible avec la prise de courant. Ne modifiez jamais la fiche de quelque façon que ce soit. N'utilisez jamais d'adaptateurs de fiches avec des outils électriques mis à la terre.** Le risque de choc électrique sera réduit par l'utilisation de fiches non modifiées et de prises de courant compatibles.
  - Éviter tout contact physique avec des surfaces mises à la terre comme des tuyaux, des radiateurs, des cuisinières et des réfrigérateurs.** Le risque de choc électrique est plus élevé si votre corps est mis à la terre.
  - Ne pas exposer les outils électriques à la pluie ou à l'humidité.** La pénétration de l'eau dans un outil électrique augmente le risque de choc électrique.
  - Ne pas utiliser le cordon de façon abusive. Ne jamais utiliser le cordon pour transporter, tirer ou débrancher un outil électrique. Tenir le cordon éloigné de la chaleur, de l'huile, des bords tranchants ou des pièces mobiles.** Les cordons endommagés ou enchevêtrés augmentent les risques de choc électrique. Utiliser uniquement une rallonge à 3 fils pourvue d'une fiche de mise à la terre à 3 lames et une prise à 3 fentes correspondant à la fiche.
  - Pour l'utilisation d'un outil électrique à l'extérieur, se servir d'une rallonge convenant à une telle utilisation.** Si la rallonge sera utilisée à l'extérieur, elle doit être estampillée d'un W-A ou d'un W suivi de la classification de la rallonge. L'utilisation d'une rallonge conçue pour l'extérieur réduit les risques de choc électrique. Lorsque qu'une rallonge électrique est utilisée, s'assurer d'en utiliser une de calibre suffisamment élevé pour assurer le transport du courant nécessaire au fonctionnement de l'appareil. Un cordon de calibre inférieur causera une chute de tension de ligne et donc une perte de puissance et une surchauffe. Le tableau suivant indique le calibre approprié à utiliser selon la longueur du cordon et l'intensité nominale de la plaque signalétique. En cas de doute, utiliser le calibre suivant le plus gros. Plus le numéro de calibre est petit, plus le cordon est lourd.

### Calibre de fil minimum recommandé pour les rallonges

Volts	Longueur totale de la rallonge			
	0-25 pi 0-7.6 m	26-50 pi 7.6 m - 15.2 m	51-100 pi 15.2 m - 30.5 m	101-150 pi 30.5 m - 45.7 m
120V				

Amperes	Calibre de fil dans des unités d'A.W.G.			
	16	14	12	10
De 10 à 12 ampères				

- Sécurité personnelle**
  - Être vigilant, surveiller le travail effectué et faire preuve de jugement lorsqu'un outil électrique est utilisé. Ne pas utiliser d'outil électrique en cas de fatigue ou sous l'influence de drogues, d'alcool ou de médicaments.** Un moment d'inattention, durant l'utilisation d'un outil électrique, peut se solder par des blessures graves.
  - Utiliser un équipement de sécurité. Toujours porter une protection oculaire.** L'utilisation d'un équipement de sécurité comme un masque anti-poussières, des chaussures antidérapantes, un casque de sécurité ou des protecteurs auditifs lorsque la situation le requiert réduira les risques de blessures corporelles.
  - Éviter un démarrage accidentel. S'assurer que l'interrupteur se trouve à la position d'arrêt avant de brancher l'outil.** Transporter un outil électrique alors que le doigt repose sur l'interrupteur ou brancher un outil électrique dont l'interrupteur est à la position de marche risque de provoquer un accident.
  - Retirer toute clé de réglage ou clé standard avant de démarrer l'outil.** Une clé standard ou une clé de réglage attachée à une partie pivotante de l'outil peut provoquer des blessures corporelles.
  - Ne pas trop tendre les bras. Conserver son équilibre en tout temps.** Cela permet de mieux maîtriser l'outil électrique dans les situations imprévues.
  - S'habiller de manière appropriée. Ne pas porter de vêtements amples ni de bijoux. Garder les cheveux, les vêtements et les gants à l'écart des pièces mobiles.** Les vêtements amples, bijoux ou cheveux longs pourraient s'enchevêtrer dans les pièces mobiles.
  - Si des composants sont fournis pour le raccordement de dispositifs de dépoussiérage et de ramassage, s'assurer que ceux-ci sont bien raccordés et utilisés.** L'utilisation de ces dispositifs peut réduire les risques engendrés par les poussières.
- Utilisation et entretien d'un outil électrique**
  - Ne pas forcer un outil électrique. Utiliser l'outil électrique approprié à l'application.** L'outil électrique approprié effectuera un meilleur travail, de façon plus sûre et à la vitesse pour laquelle il a été conçu.
  - Ne pas utiliser un outil électrique dont l'interrupteur est défectueux.** Tout outil électrique dont l'interrupteur est défectueux est dangereux et doit être réparé.
  - Débrancher la fiche du bloc d'alimentation avant de faire quelque ajustement que ce soit, de changer d'accessoire ou de ranger les outils électriques.** Ces mesures préventives réduisent les risques de démarrage accidentel de l'outil électrique.
  - Ranger les outils électriques inutilisés hors de la portée des enfants, et ne permettre à aucune personne n'étant pas familière avec l'outil électrique ou son mode d'emploi d'utiliser ce dernier.** Les outils électriques deviennent dangereux entre les mains d'utilisateurs inexpérimentés.
  - Entretenir les outils électriques. Vérifier si les pièces mobiles sont mal alignées ou coincées, si des pièces sont brisées ou présentent toute autre condition susceptible de nuire au bon fonctionnement de l'outil électrique. En cas de dommage, faire réparer l'outil électrique avant toute nouvelle utilisation.** Beaucoup d'accidents sont causés par des outils électriques mal entretenus.
  - S'assurer que les outils de coupe sont aiguisés et propres.** Les outils de coupe bien entretenus et affûtés sont moins susceptibles de se coincer et sont plus faciles à contrôler.
  - Utiliser un outil électrique, ses accessoires, mèches, etc., conformément aux présentes directives et suivant la manière prévue pour ce type particulier d'outil électrique, en tenant compte des conditions de travail et du travail à effectuer.** L'utilisation d'un outil électrique pour toute opération autre que celle pour laquelle il a été conçu est dangereuse.
- Réparation**
  - Faire réparer l'outil électrique par un réparateur professionnel en n'utilisant que des pièces de rechange identiques.** Cela permettra de maintenir une utilisation sécuritaire de l'outil électrique.

## RÈGLES DE SÉCURITÉ SPÉCIFIQUE

- Tenir l'outil par sa surface de prise isolée lors d'opérations où l'outil de coupe peut entrer en contact avec un câblage caché ou avec son propre cordon d'alimentation.** Tout contact avec un fil « sous tension » mettra « sous tension » les pièces métalliques exposées de l'outil et provoquera un choc électrique chez l'opérateur de l'outil.
- Utiliser des brides de fixation ou un autre dispositif de fixation permettant de soutenir et de retenir la pièce sur une plate-forme stable.** Tenir la pièce avec la main ou contre son corps la rend instable et risque de provoquer une perte de maîtrise de l'outil.

- Découpage du métal à la toupie :** si la toupie sert à découper du métal, il faut la nettoyer souvent. La poussière de métal s'accumule souvent sur les surfaces intérieures et pourrait causer des blessures sérieuses, une électrocution ou la mort.
- Ne jamais faire fonctionner le bloc-moteur s'il n'est pas inséré dans l'une des bases de la toupie.** Le moteur n'est pas conçu pour être portatif.
- Maintenir les poignées sèches, propres et exemptes d'huile et de graisse.** Cela permet de mieux maîtriser l'outil.
- Éloigner les mains de la zone de découpe. Ne jamais se pencher sous la pièce en aucune circonstance. Tenir la semelle de la toupie fermement en contact avec la pièce en cours de coupe. Tenir la toupie uniquement par les poignées.** Ces précautions réduiront le risque de blessure corporelle.
- Utiliser des fraises aiguisées.** Les fraises émoussées peuvent faire zigzaguer la toupie ou la bloquer sous la pression.
- Ne pas toucher la fraise immédiatement après usage.** Elle pourrait être extrêmement chaude.
- S'assurer que le moteur soit complètement à l'arrêt avant de déposer la toupie.** Si l'organe de coupe tourne encore lors du dépôt de l'outil, il y a risque de blessure ou dommage.
- S'assurer que la fraise ne touche pas à la pièce avant de démarrer le moteur.** Sinon, lors du démarrage moteur, la toupie pourrait « sauter » et provoquer un dommage ou une blessure.
- Ne pas appuyer sur le bouton de verrouillage de la broche lorsque le moteur est en marche.**

**▲ AVERTISSEMENT :** Portez un dispositif de protection antibruit pendant l'utilisation [ANSI S12.6 (S3.19)]. Dans certaines conditions et selon la durée de l'utilisation de l'appareil, le bruit émis par ce produit peut contribuer à une perte auditive.

**▲ AVERTISSEMENT :** Certains outils électriques, tels que les sableuses, les scies, les meules, les perceuses ou certains autres outils de construction, peuvent produire de la poussière contenant des produits chimiques susceptibles d'entraîner le cancer, des malformations congénitales ou pouvant être nocifs pour le système reproductif. Parmi ces produits chimiques, on retrouve:

- le plomb dans les peintures à base de plomb,
- la silice cristalline dans les briques et le ciment et autres produits de maçonnerie,
- l'arsenic et le chrome dans le bois de sciage ayant subi un traitement chimique (comme l'arséniate de cuivre et de chrome).

Le risque associé à de telles expositions varie selon la fréquence avec laquelle on effectue ces travaux. Pour réduire l'exposition à de tels produits, il faut travailler dans un endroit bien aéré et utiliser le matériel de sécurité approprié, tel un masque anti-poussières spécialement conçu pour filtrer les particules microscopiques.

**▲ AVERTISSEMENT :** Éviter tout contact prolongé avec la poussière soulevée par cet outil ou autres outils électriques. Porter des vêtements de protection et nettoyer les parties exposées du corps avec de l'eau savonneuse. S'assurer de bien se protéger afin d'éviter d'absorber par la bouche, les yeux ou la peau des produits chimiques nocifs.

**▲ AVERTISSEMENT :** Cet outil peut produire et répandre de la poussière susceptible de causer des dommages sérieux et permanents au système respiratoire. Toujours utiliser un appareil respiratoire anti-poussières approuvé par le NIOSH ou l'OSHA. Diriger les particules dans le sens opposé du visage et du corps.

**▲ AVERTISSEMENT :** TOUJOURS PORTER DES LUNETTES DE SÉCURITÉ. Les lunettes de vue ne constituent PAS des lunettes de sécurité. Utiliser également un masque facial ou anti-poussière si l'opération de découpe génère de la poussière. TOUJOURS PORTER UN ÉQUIPEMENT DE PROTECTION HOMOLOGUÉ :

- protection oculaire ANSI Z87.1 (CAN/CSA Z94.3),
  - protection auditive ANSI S12.6 (S3.19) et
  - protection des voies respiratoires NIOSH/OSHA.
- L'étiquette apposée sur l'outil peut comprendre les symboles suivants. Voici les symboles et leurs définitions :

### SYMBOLES

L'étiquette apposée sur votre outil peut comprendre les symboles suivants. Les symboles et leurs définitions sont indiqués ci-après :

V.....volts	A..... ampères
Hz.....hertz	W..... watts
min.....minutes	~ ..... courant alternatif
— — .....courant continu	n <sub>o</sub> ..... vitesse à vide
Ⓢ .....Construction de classe I (mis à la terre)	Ⓢ ..... borne de terre
Ⓢ .....Construction de classe II (à double isolation)	▲ ..... symbole d'alerte à la sécurité
BPM.....coups par minute	.../min..... rotations ou alternance par minute

## CONSERVER CES DIRECTIVES

### MOTEUR

**▲ ATTENTION :** Ne pas utiliser l'outil relié à un courant pour lequel la tension n'est pas dans les limites correctes. Ne pas faire fonctionner des outils à courant alternatif (c.a.) sur un courant continu (c.c.). Un tel branchement pourrait endommager gravement l'outil.

## OPÉRATION

**▲ AVERTISSEMENT :** Pour réduire le risque de blessures, éteindre l'appareil et le débrancher avant d'installer ou de retirer tout accessoire et avant d'effectuer des réglages ou des réparations. Un démarrage accidentel peut provoquer des blessures.

**▲ AVERTISSEMENT :** Utiliser les morceaux de routeur avec un diamètre plus grand que 2-1/2 » seulement quand le contrôle de vitesse est réglé entre 10.000 et 13.000 RPM. Le morceau maximum de diamètre est 3-1/2 »

**▲ AVERTISSEMENT :** Débrancher l'outil de la source de pouvoir quand le routeur n'est pas dans l'usage.

### POSE ET DÉPOSE DE LA MÈCHE (1001 BASE)

**▲ AVERTISSEMENT :** Pour réduire le risque de blessures, éteindre l'appareil et le débrancher avant d'installer ou de retirer tout accessoire et avant d'effectuer des réglages ou des réparations. Un démarrage accidentel peut provoquer des blessures.

- Retirez le moteur de la base comme suit:
  - Ouvrez la bride (A) Fig. 1.
  - Tout en tenant la base, tournez le moteur en SENS ANTI-HORAIRE jusqu'à ce que la cheville inférieure (B) dans le carter du moteur soit dégagée de la rainure de la base.
  - Levez le moteur pour le dégager de la base.
- Nettoyez et insérez la tige de la mèche dans la douille jusqu'au fond. Reculez-la ensuite d'environ 1/16 po.
- Placez le moteur sur son côté sur l'établi avec la douille dirigée EN SENS OPPOSÉ à vous.
- Placez une clé sur les plats du mandrin avec l'extrémité opposée de la clé reposant sur l'établi à votre gauche, Fig. 2.
- Placez l'autre clé sur la douille et serrez en SENS ANTI-HORAIRE (Fig. 2). SERREZ FERMEMENT.
- Pour retirer la mèche, inversez les étapes qui précèdent.

**▲ ATTENTION :** Évitez d'éventuels dommages à la douille. Ne serrez jamais la douille sans mèche.

### ASSEMBLAGE DU MOTEUR

**▲ AVERTISSEMENT :** Pour réduire le risque de blessures, éteindre l'appareil et le débrancher avant d'installer ou de retirer tout accessoire et avant d'effectuer des réglages ou des réparations. Un démarrage accidentel peut provoquer des blessures.

- Ouvrez la bride (A) Fig. 1 pour permettre de placer l'unité de puissance dans la base.
- Alignez fig. 1 de support et de goupille (c) de l'unité de puissance avec les cannelures de la base, tirez fig. 1 du levier (b) et abaissez le moteur dans la base.
- Fermez la bride fermement.
- Renversez le procédé pour enlever.

### RÉGLAGE DE LA PROFONDEUR DE COUPE

**▲ AVERTISSEMENT :** Pour réduire le risque de blessures, éteindre l'appareil et le débrancher avant d'installer ou de retirer tout accessoire et avant d'effectuer des réglages ou des réparations. Un démarrage accidentel peut provoquer des blessures.

- Ouvrez la bride (A) Fig. 3.
- Tout en tenant la base (E), tournez le moteur (F) Fig. 3 en SENS ANTI-HORAIRE jusqu'à ce que l'extrémité de la mèche soit au-dessus de la surface inférieure de la base.
- Posez la toupie sur une surface plane en bois.
- Tournez le moteur (F) Fig. 3 en SENS HORAIRE jusqu'à ce que la mèche vienne en contact avec la surface en bois.
- Serrez la vis de la pince (A) Fig. 17.
- Faites tourner l'anneau de réglage de profondeur (B) Fig. 17 jusqu'à ce que la ligne zéro (C) soit face à la ligne de repère (D) sur le boîtier.
- Desserrez la vis de la pince (A) Fig. 17.
- Inclinez la toupie de manière à ce que la mèche soit à l'écart de la surface du bois. Tournez le moteur (F) Fig. 17 en SENS HORAIRE jusqu'à ce que la ligne de repère (D) sur le carter du moteur atteigne la profondeur désirée indiquée sur l'anneau.
- Serrez la vis de la pince (A) Fig. 17 fermement.

**REMARQUE:** Le placement de la ligne de repère à 1/4 po sur l'anneau signifie que le bord de coupe de la mèche est exposé sur 1/4 po sous la base.

### AJUSTEMENT DE L'ALIGNEMENT DE LA SOUS-BASE

**▲ AVERTISSEMENT :** Pour réduire le risque de blessures, éteindre l'appareil et le débrancher avant d'installer ou de retirer tout accessoire et avant d'effectuer des réglages ou des réparations. Un démarrage accidentel peut provoquer des blessures.

Les applications utilisant un guide de calibre nécessitent le centrage de la mèche dans le guide. À son tour, ceci nécessite que le trou central de la sous-base soit aligné sur la douille du moteur. Votre modèle possède une sous-base réglable qui a été alignée à l'usine. Le couteau vient avec le grand trou (Fig. 4).

- Desserrez les vis de montage de la sous-base (C) Fig. 4 tout juste assez pour permettre à la sous-base (D) de se déplacer sur la base.
- Desserrez la vis de la pince (A) ajustez le moteur de manière à ce que l'écrou de la douille (B) engage le trou central de la sous-base (D). Laissez la sous-base se centrer elle-même sur l'écrou de la douille. Serrez la vis de la pince (A).
- Serrez solidement les vis (C) de montage de la sous-base.



gan enchufes a tierra de 3 patas y receptáculos tripolares que se adapten al enchufe de la herramienta.

- e) **Al operar una herramienta eléctrica en el exterior, utilice un cable prolongador adecuado para tal uso.** Si el cable prolongador se va a utilizar en el exterior, debe tener la marca W-A o W de acuerdo con la designación del tipo del cable. Utilice un cable adecuado para uso en exteriores a fin de reducir el riesgo de descarga eléctrica. Cuando utilice un cable prolongador, asegúrese de que tenga la capacidad para conducir la corriente que su producto exige. Un cable de menor capacidad provocará una disminución en el voltaje de la línea, lo cual producirá una pérdida de potencia y sobrecalentamiento. La siguiente tabla muestra la medida correcta que debe utilizar según la longitud del cable y la capacidad nominal en amperes indicada en la placa. En caso de duda, utilice el calibre inmediatamente superior. Cuanto menor sea el número de calibre, más grueso será el cable.

#### Tamaño mínimo recomendado del conductor para los cables de extensión

Volts	Longitud total del cable				
120V	0-25 pi	26-50 pi	51-100 pi	101-150 pi	
	0-7.6 m	7.6 m - 15.2 m	15.2 m - 30.5 m	30.5 m - 45.7 m	
Amperes	Tamaño AWG del conductor				
A partir	10 a 12 amperes	16	16	14	12

#### 3) Seguridad personal

- a) **Permanezca alerta, controle lo que está haciendo y utilice el sentido común cuando emplee una herramienta eléctrica. No utilice una herramienta eléctrica si está cansado o bajo el efecto de drogas, alcohol o medicamentos.** Un momento de descuido mientras se opera una herramienta eléctrica podría provocar lesiones personales graves.
- b) **Use equipo de seguridad. Siempre utilice protección para los ojos.** El uso del equipo de seguridad, como las máscaras para polvo, el calzado de seguridad antideslizante, los cascos o la protección auditiva, en las condiciones adecuadas reducirá las lesiones personales.
- c) **Evite el encendido accidental. Asegúrese de que el interruptor esté en la posición de apagado antes de enchufar la herramienta.** Transportar herramientas eléctricas con su dedo apoyado sobre el interruptor o enchufar herramientas eléctricas con el interruptor en la posición de encendido puede propiciar accidentes.
- d) **Retire la clavija de ajuste o la llave de tuercas antes de encender la herramienta eléctrica.** Una llave de tuercas o una clavija de ajuste que quede conectada a una pieza giratoria de la herramienta eléctrica puede provocar lesiones personales.
- e) **No se estire. Conserve el equilibrio y párese adecuadamente en todo momento.** Esto permite un mejor control de la herramienta eléctrica en situaciones inesperadas.
- f) **Use vestimenta adecuada. No use ropas holgadas o joyas. Mantenga el cabello, la ropa y los guantes alejados de las piezas en movimiento.** Las ropas holgadas, las joyas o el cabello largo pueden quedar atrapados en las piezas móviles.
- g) **Si se suministran dispositivos para la conexión de accesorios con fines de recolección y extracción de polvo, asegúrese de que estén conectados y que se utilicen correctamente. El uso de estos dispositivos puede reducir los peligros relacionados con el polvo.** Los accesorios que pueden ser aptos para una herramienta, pueden convertirse en un factor de riesgo cuando se utilizan en otra herramienta.

#### 4) Uso y mantenimiento de la herramienta eléctrica

- a) **No fuerce la herramienta eléctrica. Utilice la herramienta eléctrica correcta para el trabajo que realizará.** Si se la utiliza a la velocidad para la que fue diseñada, la herramienta eléctrica correcta permite trabajar mejor y de manera más segura.
- b) **No utilice la herramienta eléctrica si no puede encenderla o apagarla con el interruptor.** Toda herramienta eléctrica que no pueda ser controlada mediante el interruptor es peligrosa y debe repararse.
- c) **Desconecte el enchufe de la fuente de energía antes de realizar ajustes, cambiar accesorios o guardar las herramientas eléctricas.** Estas medidas de seguridad preventivas reducen el riesgo de encender la herramienta eléctrica en forma accidental.
- d) **Guarde las herramientas eléctricas que no están en uso fuera del alcance de los niños y no permita que otras personas no familiarizadas con ella o con estas instrucciones operen la herramienta.** Las herramientas eléctricas son peligrosas si son operadas por usuarios no capacitados.
- e) **Realice el mantenimiento de las herramientas eléctricas. Revise que no haya piezas en movimiento mal alineadas o trabadas, piezas rotas o cualquier otra situación que pueda afectar el funcionamiento de las herramientas eléctricas. Si encuentra daños, haga reparar la herramienta eléctrica antes de utilizarla.** Se producen muchos accidentes a causa de las herramientas eléctricas que carecen de un mantenimiento adecuado.
- f) **Mantenga las herramientas de corte afiladas y limpias.** Las herramientas de corte con mantenimiento adecuado y con los bordes de corte afilados son menos propensas a trabarse y son más fáciles de controlar.
- g) **Utilice la herramienta eléctrica, los accesorios y las brocas de la herramienta, etc. de acuerdo con estas instrucciones y de la forma prevista para el tipo de herramienta eléctrica en particular, teniendo en cuenta las condiciones de trabajo y el trabajo que debe realizarse.** El uso de la herramienta eléctrica para operaciones diferentes de aquéllas para las que fue diseñada podría originar una situación peligrosa.

#### 5) Mantenimiento

- a) **Solicite a una persona calificada en reparaciones que realice el mantenimiento de su herramienta eléctrica y que sólo utilice piezas de repuesto idénticas.** Esto garantizará la seguridad de la herramienta eléctrica.

### NORMAS DE SEGURIDAD ESPECÍFICAS ADICIONALES

- Sostenga la herramienta por las superficies de agarre aisladas cuando realice una operación donde la herramienta de corte pueda tocar cables eléctricos escondidos o su propio cable.** El contacto con un cable con corriente eléctrica hará que las partes expuestas de la herramienta tengan corriente y que el operador reciba una descarga eléctrica.
- Utilice abrazaderas u otra forma práctica para asegurar y sostener la pieza de trabajo sobre una plataforma estable.** Sostener el trabajo con la mano o contra el cuerpo no brinda la estabilidad requerida y puede llevar a la pérdida del control.
- Corte de metales con el rebajadora:** si utiliza el rebajadora para cortar metal, limpie con frecuencia la herramienta. El polvo metálico y las virutas se acumulan a menudo en las superficies interiores y pueden suponer un riesgo de lesiones graves, electrocución e incluso muerte.
- Nunca ponga en funcionamiento la unidad del motor cuando no esté insertada en una de las bases de la rebajadora.** El motor no está diseñado para sujetarlo con la mano.
- Mantenga los mangos secos, limpios y libres de aceite y grasas.** Esto posibilitará un mejor control de la herramienta.
- Mantenga las manos lejos de las zonas de corte. Nunca se extienda debajo de la pieza de trabajo por ningún motivo. Cuando corte, mantenga con firmeza la base de la rebajadora en contacto con la pieza de trabajo. Sólo sujete la rebajadora por los mangos.** Estas precauciones reducirán el riesgo de lesiones personales.
- Use cuchillas afiladas.** Las cuchillas desafiladas pueden hacer que la rebajadora se desvíe o se atasque al recibir presión.
- Nunca toque la broca inmediatamente después de haberla usado.** Puede estar extremadamente caliente.
- Antes de soltar la rebajadora, asegúrese de que el motor se haya detenido completamente.** Apoyar la herramienta cuando el cabezal de la cuchilla aún se encuentra girando puede causar una lesión o un daño.
- Asegúrese de que la broca de la rebajadora se halle fuera de la pieza de trabajo antes de encender el motor.** Si la broca está en contacto con la pieza de trabajo cuando arranca el motor, la broca podría hacer que la rebajadora salte ocasionando una lesión o un daño.
- No presione el botón de bloqueo del eje con el motor en funcionamiento.**

**▲ ADVERTENCIA:** Utilice la protección auditiva apropiada durante el uso [ANSI S12.6 (S3.19)]. En determinadas condiciones y según el período de uso, el ruido provocado por este producto puede ocasionar la pérdida de la audición.

**▲ ADVERTENCIA:** Parte del polvo originado al lijar, aserrar, esmerilar, taladrar y otras actividades constructivas contiene químicos que se sabe causan cáncer, defectos congénitos u otros daños reproductivos. Algunos ejemplos de estos químicos son:

- plomo de pinturas con base de plomo.
- silíce cristalino de ladrillos, cemento y otros productos de mampostería.
- arsénico y cromo de madera tratada químicamente (CCA).

Su riesgo a estas exposiciones varía, dependiendo de la frecuencia con que efectúe este tipo de trabajos. Para reducir la exposición a estos productos: trabaje en un área bien ventilada, y utilice equipo de seguridad aprobado, como las mascarillas que están diseñadas especialmente para filtrar partículas microscópicas.

**▲ ADVERTENCIA:** Evite el contacto prolongado con el polvo originado al lijar, aserrar, esmerilar, taladrar y otras actividades constructivas. Vista ropas protectoras y lave las áreas expuestas con jabón y agua. Permitir al polvo introducirse en su boca u ojos, o dejarlo sobre la piel, puede promover la absorción de químicos peligrosos.

**▲ ADVERTENCIA:** La utilización de esta herramienta puede originar polvo o dispersarlo, lo que podría causar daños graves y permanentes al sistema respiratorio, así como otras lesiones. Siempre use protección respiratoria aprobada por NIOSH/OSHA, apropiada para su uso en condiciones de exposición al polvo. Procure que las partículas no se proyecten directamente sobre su rostro o su cuerpo.

**▲ ADVERTENCIA:** SIEMPRE USE ANTEOJOS DE SEGURIDAD. Los anteojos de uso diario NO son anteojos de seguridad. Utilice también máscaras faciales o para polvo si el corte produce polvillo. UTILICE SIEMPRE EQUIPO DE SEGURIDAD CERTIFICADO:

- Protección para la vista según la norma ANSI Z87.1 (CAN/CSA Z94.3)
  - Protección auditiva según la norma ANSI S12.6 (S3.19)
  - Protección respiratoria según las normas NIOSH/OSHA
- La etiqueta de su herramienta puede incluir los siguientes símbolos. A continuación se indican los símbolos y sus definiciones:
- |  |   |
|--|---|
| V.....voltios  | A.....amperios  |
| Hz.....hertz   | W.....vatios  |
| min.....minutos  | ~.....corriente alterna                               |
| ====.....corriente directa                             | no.....velocidad sin carga                            |
| Ⓞ.....Construcción Clase I<br>con conexión a tierra)   | Ⓧ.....terminal a tierra                               |
| Ⓢ.....Construcción Clase II<br>(con aislamiento doble) | ▲.....símbolo de alerta de seguridad                  |
| BPM.....golpes por minuto                              | .../min.....revoluciones o reciprocidad<br>por minuto |

### CONSERVE ESTAS INSTRUCCIONES

**▲ PRECAUCIÓN:** No use su herramienta con una corriente en la cual el voltaje no esté entre los límites correctos. No use herramientas de un régimen de corriente alterna con corriente continua. El hacerlo puede dañar seriamente su herramienta.

### OPERACIÓN

**▲ ADVERTENCIA:** Apague y desenchufe la herramienta antes de hacer cualquier ajuste o de quitar o instalar accesorios. Asegúrese que el conmutador esté en posición OFF (apagada).

**▲ ADVERTENCIA:** Los brocas del rebajadora del uso con un diámetro más grande que 6.35 cm (2½") sólo cuando el control de la velocidad se pone entre 10.000 y 13.000 RPM. El broca máximo del diámetro es 8.9 cm (3½").

**▲ ADVERTENCIA:** Desconecte el rebajadora de la fuente del poder cuándo el no está en uso.

#### PARA INSTALAR LA BROCA (1001 BASE)

**▲ ADVERTENCIA:** Para reducir el riesgo de lesiones, apague la unidad y desconéctela de la fuente de alimentación antes de instalar o retirar accesorios, ajustar o cambiar configuraciones o realizar reparaciones. Un arranque accidental podría causar lesiones.

- Quite el motor de la base así:
  - Abra la palanca de la abrazadera (A) Fig. 1.
  - Mientras detiene la base gire el motor EN SENTIDO CONTRARIO A LAS MANECILLAS DEL RELOJ hasta que la clavija baja (B) en la caja del motor esté desenganchada de la ranura en la base.
  - Levante y libere el motor de la base.
- Limpie e introduzca el cabo de la broca completamente en la boquilla.
- Voltee al lado el motor sobre un banco con la boquilla apuntada en sentido OPUESTO a su cuerpo.
- Presione la fig. 2 del botón de la cerradura del huso (a).
- Coloque la otra llave en la boquilla y atornille bien EN EL SENTIDO DE LAS AGUJAS DEL RELOJ como está ilustrado en Fig. 2. APRIETE FIRMEMENTE.
- Para sacar la broca, siga los pasos precedentes al revés.

**▲ PRECAUCIÓN** Nunca apriete la boquilla sin haber instalado la broca, hacerlo puede dañar la boquilla.

#### PARA MONTAR EL MOTOR

**▲ ADVERTENCIA:** Para reducir el riesgo de lesiones, apague la unidad y desconéctela de la fuente de alimentación antes de instalar o retirar accesorios, ajustar o cambiar configuraciones o realizar reparaciones. Un arranque accidental podría causar lesiones.

- Abra la palanca de la abrazadera (A) Fig. 1 para permitir que el motor entre en la base.
- Introduzca el motor en la base alineando la clavija baja (B) con la ranura de la base.
- Gire el motor EN SENTIDO A LAS MANECILLAS DEL RELOJ hasta que las clavijas de guía de arriba estén fijas firmemente en la ranura de la base.
- Apriete la palanca de la abra-zadera.

#### PARA AJUSTAR LA PROFUNDIDAD DEL CORTE

**▲ ADVERTENCIA:** Para reducir el riesgo de lesiones, apague la unidad y desconéctela de la fuente de alimentación antes de instalar o retirar accesorios, ajustar o cambiar configuraciones o realizar reparaciones. Un arranque accidental podría causar lesiones.

- Abra la palanca de la abraza-dera(A) Fig. 3.
- Mientras detiene la base (E) gire el motor (F), Fig. 3, en SENTIDO CON-TRARIO a las manecillas del reloj hasta que la punta de la broca esté un poco arriba de la parte más baja de la superficie de la base.
- Ponga el ráuter sobre una superficie plana de madera.
- Gire el motor (F) Fig. 3 en SENTIDO A las manecillas del reloj hasta que la broca toque la superficie de la madera.
- Apriete la palanca de la abrazadera (A) Fig. 3.
- Gire el anillo calibrador para ajustar la profundidad (B), Fig. 3, hasta que la marca de cero (C) esté alineada con la línea de índice (D) en la caja de motor.
- Abra la palanca de la abrazadera (A) Fig. 3.
- Incline el ráuter hasta que la broca esté libre de la superficie de la madera. Gire la caja del motor (F), Fig. 3, en SENTIDO a las manecillas del reloj hasta que la línea de índice (D) en la caja del motor llegue a la profundidad deseada e indicada en el anillo calibrador.
- Apriete la palanca de la abrazadera (A) Fig. 3 firmemente.

**TOME NOTA:** Alineando la línea de índice 1/4" en el anillo indica que la cuchilla de la broca sobrepasa la base 1/4".

#### PARA AJUSTAR EL ALINEAMIENTO DE LA SUB-BASE

**▲ ADVERTENCIA:** Para reducir el riesgo de lesiones, apague la unidad y desconéctela de la fuente de alimentación antes de instalar o retirar accesorios, ajustar o cambiar configuraciones o realizar reparaciones. Un arranque accidental podría causar lesiones.

Aplicaciones que usan una guía de patrón (plantilla) requieren que la broca esté en el centro de la guía. Esto requiere que el agujero central de la sub-base sea alineado con la boquilla de la caja del motor. Su modelo tiene una sub-base ajustable, la cual fue alineada durante fabricación. Para reajustar:

- Desatornille los tornillos de montaje de la sub-base (C) Fig. 4 lo suficiente para aflojar la sub-base (D) un poco.
- Abra la palanca de la abra-zadera (A), y ajuste el motor para que la tuerca de boquilla (B) entre al agujero central de la sub-base (D). Deje que la sub-base se centre alrededor de la tuerca. Apriete el tornillo sujetador.
- Sujete firmemente los tornillos de montaje de la sub-base (C).

#### PARA MONTAR EL MOTOR (6931 BASE)

**▲ ADVERTENCIA:** Para reducir el riesgo de lesiones, apague la unidad y desconéctela de la fuente de alimentación antes de instalar o retirar accesorios, ajustar o cambiar configuraciones o realizar reparaciones. Un arranque accidental podría causar lesiones.

- Sostenga la abrazadera con sus dedos (D) Fig. 5 y afloje el tornillo de sujeción para el motor aproximadamente 1/2" (13 mm) con la llave provista de Allen (hexagonal).
- Meta el dispositivo del motor en la base con el interruptor en frente de la perilla (agarradera) izquierda (Fig. 4). Alinee las cuatro clavijas (A) Fig. 7, en la caja del motor con las ranuras (B) Fig. 6 de la base.
- Asiente el motor en la base y apriete el tornillo de sujeción.

#### PARA QUITAR EL MOTOR

**▲ ADVERTENCIA:** Para reducir el riesgo de lesiones, apague la unidad y desconéctela de la fuente de alimentación antes de instalar o retirar accesorios, ajustar o cambiar configuraciones o realizar reparaciones. Un arranque accidental podría causar lesiones.

- Saque el tornillo de sujeción Fig. 5, la arandela plana (B), la arandela de seguridad (C), y la tuerca inaflojable (A) Fig. 5B.
- Meta la llave hexagonal (A) Fig. 8, como está ilustrado para hacer contacto con la placa abrazadera. Golpéela ligera-mente para aflojarla. Quite la placa abrazadera.
- Deslice el motor de la base para sacarlo.
- Vuelva a montar el tornillo de sujeción, la arandela de seguridad, la arandela plana, la placa abrazadera y la tuerca inaflojable. Apriete la tuerca ligeramente para no perder estas partes.

#### PARA AJUSTAR LA BASE

**▲ ADVERTENCIA:** Para reducir el riesgo de lesiones, apague la unidad y desconéctela de la fuente de alimentación antes de instalar o retirar accesorios, ajustar o cambiar configuraciones o realizar reparaciones. Un arranque accidental podría causar lesiones.

- Afloje la perilla cerradora para la varilla de profundidad (A) Fig. 9, y la perilla para el índice de profundidad (D). Deje que la varilla de profundidad (E), toque uno de los topes de torrecilla (B). Generalmente, se ajusta el corte más profundo apoyando la varilla de profundidad contra el tope de torrecilla más corto (A) Fig. 10. Los otros dos topes fijos (B) Fig. 10 entonces proveen cortes de 1/4" menos y 1/2" menos. Los tres topes ajustables (C) pueden ser ajus-tados a cualquier profundidad deseada. Se puede usar cualquier combinación de topes fijos y/o ajustables para obtener las profundidades deseadas para los cortes que va a hacer.
- Suelte el mecanismo de movimiento vertical al tirar (jalar) la palanca cerradora (B) Fig. 9, a la izquierda. Baje el mecanismo hasta que la broca apenas toque la superficie del trabajo. Suelte la palanca y empújela a la derecha para cerrar el mecanismo en esta posición.
- Apriete la perilla cerradora para la varilla de profundidad.
- Coloque el índice de profundidad (C) Fig. 11 en el cero, "0", y apriete la perilla.
- Afloje la perilla cerradora para la varilla de profundidad (A) Fig.10 y levante la varilla de profundidad hasta alinear el índice con el punto de la escala que representa la profundidad del movimiento vertical deseado. (El ejemplo en la Fig. 12 indica 1" de movimiento vertical.)
- Gire la tuerca de límite inferior (A) Fig. 12 hasta que esté aproximadamente 1/4" arriba de la armazón. Mientras detiene la tuerca inferior, atornille la tuerca superior hasta que esté apretada contra la inferior.

**▲ PRECAUCIÓN** Las tuercas de límite siempre tienen que estar apretadas juntas para evitar el movimiento (causado por vibraciones) que puede obstruir el retroceso completo de la broca.

**▲ PRECAUCIÓN** Siempre hay que ajustar las tuercas de límite de una manera que deje la retracción de la broca por dentro de la base del ráuter y fuera del trabajo.

**▲ PRECAUCIÓN** NO INTENTE aumentar la distancia del movimiento vertical con reajustar la tuerca de tope. Aumentando la distancia más de 2-1/2" puede causar que el mecanismo se atore.

#### PARA AJUSTAR LA PALANCA CERRADORA VERTICAL

**▲ ADVERTENCIA:** Para reducir el riesgo de lesiones, apague la unidad y desconéctela de la fuente de alimentación antes de instalar o retirar accesorios, ajustar o cambiar configuraciones o realizar reparaciones. Un arranque accidental podría causar lesiones.

El mecanismo que fija el movimiento vertical puede ajustarse para compensar por el desgaste o para recolocar la palanca en su posición cerrada. Para ajustarlo:

- Mientras detiene la palanca en la posición elevada (B) Fig. 13, quite el tornillo de retención. Siga deteniendo la palanca para los pasos siguientes.
- Meta una llave hexagonal (A) Fig. 14, (no está provista) de 1/8" en el tornillo de ajuste y desatornille aproximadamente 1/2" vuelta en el sentido contrario a las manecillas del reloj.
- Ponga la palanca en la posición deseada y cerrada y apriete el tornillo de ajuste.
- Quite la llave hexagonal y vuelva a meter el tornillo de retención.

#### ASOCIAR LA UNIDAD DEL MOTOR A LA MANIJA DE "D"

**▲ ADVERTENCIA:** Para reducir el riesgo de lesiones, apague la unidad y desconéctela de la fuente de alimentación antes de instalar o retirar accesorios, ajustar o cambiar configuraciones o realizar reparaciones. Un arranque accidental podría causar lesiones.

- Afloje el tornillo sujetador (A) Fig. 15 para permitir que el motor entre en la base.
- Con el interruptor del motor (C) Fig. 15, introduzca el motor en la base alineando la clavija baja (B) con la ranura de la base.

- Gire el motor EN SENTIDO A LAS MANECILLAS DEL RELOJ hasta que el interruptor del motor (A) Fig. 16 esté opuesto a la agarradera (B).
- Conecte el cable del motor en la salida eléctrica de la agarradera (C) Fig. 16.
- Continúe la rotación del motor en la base hasta que las clavijas de guía de arriba estén fijas firmemente en la base.
- Apriete el tornillo sujetador firmemente.

#### PARA AJUSTAR LA PROFUNDIDAD DEL CORTE

**▲ ADVERTENCIA:** Para reducir el riesgo de lesiones, apague la unidad y desconéctela de la fuente de alimentación antes de instalar o retirar accesorios, ajustar o cambiar configuraciones o realizar reparaciones. Un arranque accidental podría causar lesiones.

- Afloeje el tornillo sujetador (A) Fig. 17.
- Mientras detiene la base (E) gire el motor (F) Fig. 17, en SENTIDO CONTRARIO a las manecillas del reloj hasta que la punta de la broca esté un poco arriba de la parte más baja de la superficie de la base.
- Ponga el ráuter sobre una superficie plana de madera.
- Gire el motor (F) Fig. 17 en SENTIDO A las manecillas del reloj hasta que la broca toque la superficie de la madera.
- Apriete el tornillo sujetador (A) Fig. 17.
- Gire el anillo calibrador para ajustar la profundidad (B) Fig. 17 hasta que la marca de cero (C) esté alineada con la línea de índice (D) en la caja de motor.
- Afloeje el tornillo sujetador (A) Fig. 17.
- Incline el ráuter hasta que la broca esté libre de la superficie de la madera. Gire la caja del motor (F) Fig. 17 en SENTIDO a las manecillas del reloj hasta que la línea de índice (D) en la caja del motor llegue a la profundidad deseada e indicada en el anillo calibrador.
- Apriete el tornillo sujetador (A) Fig. 17 firmemente.

**TOME NOTA:** Alineando la línea de índice 1/4" en el anillo indica que la cuchilla de la broca sobrepasa la base 1/4".

#### PARA CONECTAR A LA FUENTE DE ELECTRICIDAD

**▲ PRECAUCIÓN** Antes de conectar el ráuter a la fuente de electricidad, ASEGURE QUE EL INTERRUPTOR ESTE EN LA POSICION APAGADA, "OFF". También verifique que la potencia del circuito sea la misma que la indicada en la placa de especificaciones del ráuter.

#### PARA PONER EN MARCHA Y PARAR EL MOTOR

**▲ PRECAUCIÓN** Antes de poner el ráuter en marcha, asegure que la broca esté libre libre de cualquier objeto del foriegn. También sujete (agarre) el ráuter firmemente para evitar la tendencia del ráuter de torcerse al comenzar el trabajo.

Para poner el motor en marcha, mueva el interruptor de eje de balancín a "ON" o "1" coloque (A) Fig. 19. Para parar pararlo, mueva el interruptor de eje de balancín a "Off" o a la posición de "O".

**▲ PRECAUCIÓN** Para evitar herida personal o daño a la obra, siempre deje que el motor PARE COMPLETAMENTE antes de poner el ráuter a un lado.

#### PARA PONER EN MARCHA Y PARAR EL MOTOR (LA MANIJA DE "D")

**▲ PRECAUCIÓN** Antes de poner el ráuter en marcha, asegure que la broca esté libre de la pieza en elaboración y de objetos ajenos. También sujete (agarre) el ráuter firmemente para evitar la tendencia del ráuter de torcerse al comenzar el trabajo.

Asegure que el cable del motor (D) (Fig. 16) esté enchufado en la empuñadura, y que el interruptor (A) del motor esté en la posición prendida, "ON". Ahora la habilidad de poner en marcha y parar el motor se controla por medio del gatillo (E) en la agarradera de la base. Para mantener el motor en marcha sin tener que apretar constantemente el gatillo (E), Fig. 16, sólo apriete el gatillo (E) completamente y empuje el botón (F) en el lado de la empuñadura. Mientras empuja el botón, suelte el gatillo despacio. Para parar el motor, apriete y suelte el gatillo para desenganchar el botón.

**▲ PRECAUCIÓN** Para evitar herida personal o daño a la obra, siempre deje que el motor PARE COMPLETAMENTE antes de poner el ráuter a un lado.

#### MANDO DE VELOCIDAD (SÓLO EL MODELO 690LRVS)

Esta rebajadora se equipa de variable del (A) Fig. 19 del control de la velocidad con un número infinito de velocidades entre 10.000 y 27.000 RPM.

La velocidad ser ajustar por dar vuelta velocidad control perilla (a), etiquetar 1 por 4, con 1 ser reducido velocidad y 4 ser alto.

#### USAR LA HERRAMIENTA

**▲ PRECAUCIÓN** Siempre asegure que la pieza en elaboración esté engrapada firmemente o sujeta de otra manera antes de hacer el corte. Por lo general, cuando uno trabaja en un banco, la pieza en elaboración debe estar sujeta por unas prensas de madera (carpintería). Cuando contornee cantos (bordes), el ráuter debe ser deslizado firmemente contra la madera por ambas perillas (agarraderas) de guía. Como la broca gira en sentido de las manecillas del reloj (vista de arriba), el ráuter debe avanzar de la izquierda a la derecha con el trabajo enfrente del operario.

Cuando trabaje dentro de un patrón (plantilla), aváncelo en el sentido de las manecillas del reloj. Cuando trabaje en el exterior de un patrón, avance el ráuter en el sentido contrario a las manecillas del reloj.

**▲ ADVERTENCIA** Evite el "CORTE TREPADOR" (un corte en la dirección opuesta a la indicada en la Fig. 20). El "CORTE TREPADOR" aumenta el riesgo de la pérdida de control, resultando en la posibilidad de herida personal. Cuando sea necesario hacer el "CORTE TREPADOR" (retrocediendo a una esquina), tenga extrema precaución para mantener control del ráuter. La velocidad y profundidad del corte dependerá principalmente de la clase de material en elaboración. Mantenga la presión del corte constante pero no empuje el ráuter hasta el punto de aminorar (disminuir) la velocidad del motor excesivamente. Con el uso de maderas demasiado duras o materiales problemáticos, puede ser necesario hacer más de una pasada con profundidades crecientes para obtener la profundidad de corte deseada.

Cuando haga cortes en los cuatro cantos (bordes) de la pieza, es aconsejable hacer el primer corte al través del hilo. Así si la madera sea astilla al final del corte, las astillas se pueden quitar con el siguiente corte al hilo. Periódicamente limpie las columnas con una tela seca. NO lubrique las columnas.

## GUIA LOCALIZACION DE FALLAS

Para obtener ayuda con su herramienta, visite nuestro sitio Web [www.porter-cable.com](http://www.porter-cable.com) y obtenga una lista de los centros de mantenimiento, o llame al Centro de atención al cliente de Porter-Cable al (888) 848-5175.

## MANTENIMIENTO

**▲ ADVERTENCIA:** Antes de realizar ajustes o de retirar o instalar cualquier accesorio, apague y desenchufe la lijadora para reducir el riesgo de lesiones.

#### REPARACIONES

Para obtener ayuda con su herramienta, visite nuestro sitio Web [www.porter-cable.com](http://www.porter-cable.com) y obtenga una lista de los centros de mantenimiento, o llame al Centro de atención al cliente de Porter-Cable al (888) 848-5175.

#### LIMPIEZA

Periódicamente sople todas las entradas de aire con aire comprimido seco.

**▲ ADVERTENCIA:** Cuando trabaje con aire comprimido, use anteojos de seguridad conforme a la norma Z87.1 del ANSI.

Para limpiar la herramienta, sólo utilice jabón suave y un paño húmedo.

**▲ PRECAUCIÓN:** Nunca permita que penetre líquido dentro de la herramienta ni sumerja ninguna de las piezas en un líquido.

**▲ PRECAUCIÓN:** Nunca utilice solventes u otros químicos abrasivos para limpiar las piezas no metálicas de la herramienta.

#### FALLA EN EL ENCENDIDO

Si la herramienta no enciende, verifique que las patas del enchufe del cable hagan buen contacto en el tomacorriente. Además, revise que no haya fusibles quemados o interruptores automáticos de circuito abierto en la línea.

#### LUBRICACIÓN

Esta herramienta ha sido aceiteada con una cantidad suficiente de lubricante de alto grado para extender la vida de la unidad en condiciones normales de funcionamiento. No se requiere lubricación adicional.

#### INSPECCIÓN DE LOS CEPILLOS (Si corresponde)

Para mantener la seguridad y la protección eléctrica, la inspección de los cepillos y su reemplazo deben ser realizados ÚNICAMENTE en una ESTACIÓN DE MANTENIMIENTO AUTORIZADA DE PORTER-CABLE o en un CENTRO DE MANTENIMIENTO DE FÁBRICA DE PORTER-CABLE-DELTA.

A las 100 horas de uso aproximadamente, lleve o envíe la herramienta a la Estación de mantenimiento autorizada de Porter-Cable más cercana para una limpieza e inspección exhaustiva. Haga reemplazar las piezas desgastadas y lubrique con lubricante nuevo. Instale nuevos cepillos y pruebe el funcionamiento de la herramienta.

Cualquier pérdida de potencia antes de la comprobación del mantenimiento mencionado puede indicar la necesidad del mantenimiento inmediato de su herramienta. NO CONTINÚE UTILIZANDO LA HERRAMIENTA EN ESTAS CONDICIONES. Si la herramienta presenta un voltaje de funcionamiento correcto, devuélvala para un mantenimiento inmediato.

## SERVICIO

#### PIEZAS DE REPUESTO

Utilice sólo piezas de repuesto idénticas. Para obtener una lista de piezas o para solicitar piezas, visite nuestro sitio Web en [servicenet.porter-cable.com](http://servicenet.porter-cable.com). También puede solicitar piezas en nuestro centro más cercano, o llamando a nuestro Centro de atención al cliente al (888) 848-5175.

#### MANTENIMIENTO Y REPARACIONES

Con el paso del tiempo, todas las herramientas de calidad requieren mantenimiento o reemplazo de las piezas. Para obtener información acerca de Porter-Cable, sus sucursales o un Centro de mantenimiento con garantía autorizado, visite nuestro sitio Web [www.porter-cable.com](http://www.porter-cable.com) o llame a nuestro Centro de atención al cliente al (888) 848-5175. Todas las reparaciones realizadas en nuestros centros de mantenimiento están completamente garantizadas en relación con los materiales defectuosos y la mano de obra. No podemos otorgar garantías en relación con las reparaciones ni los intentos de reparación de otras personas.

También puede escribirnos solicitando información a PORTER-CABLE, 4825 Highway 45 North, Jackson, Tennessee 38305; referencia: Mantenimiento de productos. Asegúrese de incluir toda la información mencionada en la placa de la herramienta (número de modelo, tipo, número de serie, etc.)

## ACCESORIOS

Su proveedor de productos Porter-Cable•Delta, los Centros de mantenimiento de fábrica de Porter-Cable•Delta y los Centros de mantenimiento autorizados de Porter-Cable pueden suministrarle una línea completa de accesorios. Para obtener un catálogo o para conocer el nombre de su proveedor más cercano, visite nuestro sitio Web [www.porter-cable.com](http://www.porter-cable.com).

**▲ ADVERTENCIA:** Debido a que no se han probado con este producto otros accesorios que no sean los que ofrece Porter-Cable•Delta, el uso de tales accesorios puede ser peligroso. Para un funcionamiento seguro, con este producto sólo deben utilizarse los accesorios recomendados por Porter-Cable•Delta.

## GARANTIA

Para registrar la herramienta a fin de obtener el mantenimiento cubierto por la garantía, visite nuestro sitio Web [www.porter-cable.com](http://www.porter-cable.com).

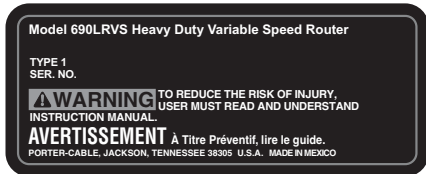
**GARANTÍA LIMITADA DE UN AÑO DE PORTER-CABLE:** Porter-Cable garantiza su herramienta eléctrica profesional durante un año a partir de la fecha de compra original. Repararemos o reemplazaremos, a nuestra discreción, las partes del producto y los accesorios cubiertos por la garantía que, luego de ser examinados, se compruebe tengan un defecto en el material o de fabricación durante el período de la garantía. Para la reparación o el reemplazo, devuelva la herramienta completa o el accesorio a su Estación de mantenimiento autorizada o Centro de mantenimiento Porter-Cable. Le pueden solicitar comprobante de compra. Esta garantía no cubre la reparación o el reemplazo necesarios por mal uso, abuso, desgaste normal o por la reparación o el intento de reparación llevados a cabo en otros centros o estaciones de mantenimiento que no sean los nuestros.

TODA GARANTÍA IMPLÍCITA, INCLUIDAS LAS GARANTÍAS IMPLÍCITAS DE COMERCIABILIDAD E IDONEIDAD PARA UN PROPÓSITO DETERMINADO, TENDRÁ UN (1) AÑO DE VIGENCIA A PARTIR DE LA FECHA DE COMPRA ORIGINAL. Para obtener información sobre la garantía, escribanos a: PORTER-CABLE, 4825 Highway 45 North, Jackson, Tennessee 38305; referencia: Mantenimiento de productos. LA OBLIGACIÓN PRECEDENTE ES RESPONSABILIDAD EXCLUSIVA DE PORTER-CABLE BAJO ESTA O CUALQUIER GARANTÍA IMPLÍCITA Y BAJO NINGUNA CIRCUNSTANCIA PORTER-CABLE SE HARÁ CARGO DE LOS DAÑOS INCIDENTALES O INDIRECTOS. Algunos estados no permiten establecer limitaciones sobre la duración de una garantía implícita o la exclusión o limitación de los daños y perjuicios incidentales e indirectos, de modo que las exclusiones y las limitaciones establecidas en la presente pueden no ser aplicables.

Esta garantía le concede derechos legales específicos; pueden existir otros derechos que varían según el estado.

## REEMPLAZO DE LAS ETIQUETAS DE ADVERTENCIA

Si sus etiquetas de advertencia se vuelven ilegibles o faltan, llame al (888) 848-5175 para que se las reemplacen gratuitamente.



## PÓLIZA DE GARANTÍA

#### IDENTIFICACIÓN DEL PRODUCTO:

Sello o firma del Distribuidor.Nombre del producto: \_\_\_\_\_ Mod./Cat.: \_\_\_\_\_

Marca: \_\_\_\_\_ Núm. de serie: \_\_\_\_\_

(Datos para ser llenados por el distribuidor)Fecha de compra y/o entrega del producto: \_\_\_\_\_

Nombre y domicilio del distribuidor donde se adquirió el producto: \_\_\_\_\_

Este producto está garantizado por un año a partir de la fecha de entrega, contra cualquier defecto en su funcionamiento, así como en materiales y mano de obra empleados para su fabricación. Nuestra garantía incluye la reparación o reposición del producto y/o componentes sincargo alguno para el cliente, incluyendo mano de obra, así como los gastos de transportaciónrazonablemente erogados derivados del cumplimiento de este certificado.Para hacer efectiva esta garantía deberá presentar su herramienta y esta póliza sellada por elestablecimiento comercial donde se adquirió el producto, de no contar con ésta, bastará la factura de compra.

#### EXCEPCIONES

Esta garantía no será válida en los siguientes casos:

- Cuando el producto se hubiese utilizado en condiciones distintas a las normales;
- Cuando el producto no hubiese sido operado de acuerdo con el instructivo de uso que seacompaña;
- Cuando el producto hubiese sido alterado o reparado por personas distintas a las enlistadas al final de este certificado.

Anexo encontrará una relación de sucursales de servicio de fábrica, centros de servicio autorizados y franquiciados en la República Mexicana, donde podrá hacer efectiva su garantía yadquirir partes, refacciones y accesorios originales.

#### ESPECIFICACIONES

**120 volt / 10,000-27,500 RPMs / 11 amps**

**Para servicio y ventas consulte  
"HERRAMIENTAS ELECTRICAS"  
en la sección amarilla.**



The following are PORTER-CABLE trademarks for one or more power tools and accessories: a gray and black color scheme; a ♦ "four point star" design; and three contrasting/outlined longitudinal stripes. The following are also trademarks for one or more Porter-Cable and Delta products: Les éléments ci-dessous sont des marques de commerce des outils et des accessoires de PORTER-CABLE : un agencement de couleurs grise et noire; un motif d' « étoile à quatre pointes » ♦ et trois bandes longitudinales contrastantes/à contours. Les marques suivantes sont également des marques de commerce se rapportant à un ou plusieurs produits Porter-Cable ou Delta : Las siguientes son marcas comerciales PORTER-CABLE que distinguen a una o más herramientas y accesorios: un gráfico de color gris y negro; un diseño de ♦ "estrella de cuatro puntas" y tres franjas longitudinales contrastantes/delineadas. Las siguientes también son marcas comerciales para uno o más productos de Porter-Cable y Delta: 2 BY 4<sup>®</sup>, 890<sup>™</sup>, Air America<sup>®</sup>, AIRBOSS<sup>™</sup>, Auto-Set<sup>®</sup>, B.O.S.S.<sup>®</sup>, Bammer<sup>®</sup>, Biesemeyer<sup>®</sup>, Builders Saw<sup>®</sup>, Charge Air<sup>®</sup>, Charge Air Pro<sup>®</sup>, CONTRACTOR SUPERDUTY<sup>®</sup>, Contractor's Saw<sup>®</sup>, Delta<sup>®</sup>, DELTA<sup>®</sup>, Delta Industrial<sup>®</sup>, DELTA MACHINERY & DESIGN<sup>™</sup>, Delta Shopmaster and Design<sup>®</sup>, Delta X5<sup>®</sup>, Deltacraft<sup>®</sup>, DELTAGRAM<sup>®</sup>, Do It. Feel It<sup>®</sup>, DUAL LASERLOC AND DESIGN<sup>®</sup>, EASY AIR<sup>®</sup>, EASY AIR TO GO<sup>™</sup>, ENDURADIAMOND<sup>®</sup>, Ex-Cell<sup>®</sup>, Front Bevel Lock<sup>®</sup>, Get Yours While the Sun Shines<sup>®</sup>, Grip to Fit<sup>®</sup>, GRIPVAC<sup>™</sup>, GTF<sup>®</sup>, HICKORY WOODWORKING<sup>®</sup>, Homecraft<sup>®</sup>, HP FRAMER HIGH PRESSURE<sup>®</sup>, IMPACT SERIES<sup>™</sup>, Innovation That Works<sup>®</sup>, Jet-Lock<sup>®</sup>, Job Boss<sup>®</sup>, Kickstand<sup>®</sup>, LASERLOC<sup>®</sup>, LONG-LASTING WORK LIFE<sup>®</sup>, MAX FORCE<sup>™</sup>, MAX LIFE<sup>®</sup>, Micro-Set<sup>®</sup>, Midi-Lathe<sup>®</sup>, Monsoon<sup>®</sup>, MONSTER-CARBIDE<sup>™</sup>, Network<sup>®</sup>, OLDHAM<sup>®</sup>, Omnijig<sup>®</sup>, PC EDGE<sup>®</sup>, Performance Crew<sup>™</sup>, Performance Gear<sup>®</sup>, Pocket Cutter<sup>®</sup>, Porta-Band<sup>®</sup>, Porta-Plane<sup>®</sup>, Porter Cable<sup>®</sup>, Porter-Cable Professional Power Tools<sup>®</sup>, Powerback<sup>®</sup>, POZI-STOP<sup>™</sup>, Pressure Wave<sup>®</sup>, PRO 4000<sup>®</sup>, Proair<sup>®</sup>, Quicksand<sup>™</sup> and Design<sup>®</sup>, Quickest II<sup>®</sup>, QUIET DRIVE TECHNOLOGY<sup>™</sup>, QUIET DRIVE TECHNOLOGY AND DESIGN<sup>™</sup>, Quik-Change<sup>®</sup>, QUIK-TILT<sup>®</sup>, RAPID-RELEASE<sup>™</sup>, RAZOR<sup>®</sup>, Redefining Performance<sup>®</sup>, Riptide<sup>®</sup>, Safe Guard II<sup>®</sup>, Sand Trap and Design<sup>®</sup>, Sanding Center<sup>®</sup>, Saw Boss<sup>®</sup>, Shop Boss<sup>®</sup>, Sidekick<sup>®</sup>, Site Boss<sup>®</sup>, Speed-Bloc<sup>®</sup>, Speedmatic<sup>®</sup>, Stair Ease<sup>®</sup>, Steel Driver Series<sup>®</sup>, SUPERDUTY<sup>®</sup>, T4 & DESIGN<sup>®</sup>, THE AMERICAN WOODSHOP<sup>®</sup>, THE PROFESSIONAL EDGE<sup>®</sup>, Thin-Line<sup>®</sup>, Tiger Saw<sup>®</sup>, TIGERCLAW<sup>®</sup>, TIGERCLAW AND DESIGN<sup>®</sup>, Torq-Buster<sup>®</sup>, TRU-MATCH<sup>®</sup>, T-Square<sup>®</sup>, Twinlaser<sup>®</sup>, Unifence<sup>®</sup>, Uniguard<sup>®</sup>, UNIRIP<sup>®</sup>, UNISAW<sup>®</sup>, UNITED STATES SAW<sup>®</sup>, Veri-Set<sup>®</sup>, Versa-Feeder<sup>®</sup>, VIPER<sup>®</sup>, VT<sup>™</sup>, VT RAZOR<sup>™</sup>, Water Driver<sup>®</sup>, WATER VROOM<sup>®</sup>, Waveform<sup>®</sup>, Whisper Series<sup>®</sup>, X5<sup>®</sup>, YOUR ACHIEVEMENT. OUR TOOLS<sup>®</sup>.

Trademarks noted with ® are registered in the United States Patent and Trademark Office and may also be registered in other countries. Other trademarks may apply. Les marques de commerce suivies du symbole ® sont enregistrées auprès du United States Patent and Trademark Office et peuvent être enregistrées dans d'autres pays. D'autres marques de commerce peuvent également être applicables. Las marcas comerciales con el símbolo ® están registradas en la Oficina de patentes y marcas comerciales de Estados Unidos (United States Patent and Trademark Office), y también pueden estar registradas en otros países. Posiblemente se apliquen otras marcas comerciales registradas.

**PORTER♦CABLE®**

4825 Highway 45 North  
Jackson, TN 38305  
(888) 848-5175

**[www.porter-cable.com](http://www.porter-cable.com)**

## Free Manuals Download Website

<http://myh66.com>

<http://usermanuals.us>

<http://www.somanuals.com>

<http://www.4manuals.cc>

<http://www.manual-lib.com>

<http://www.404manual.com>

<http://www.luxmanual.com>

<http://aubethermostatmanual.com>

Golf course search by state

<http://golfingnear.com>

Email search by domain

<http://emailbydomain.com>

Auto manuals search

<http://auto.somanuals.com>

TV manuals search

<http://tv.somanuals.com>