

PORTER CABLE®

FINISH TOOLS
HERRAMIENTAS DE ACABADO
OUTILS DE FINITION



FN250SB



BN200SB

Instruction manual
Manuel d'instructions
Manual de instrucciones

www.portercable.com

⚠ ADVERTENCIA:

INSTRUCTIVO DE OPERACIÓN, CENTROS DE SERVICIO Y PÓLIZA DE
GARANTÍA. LÉASE ESTE INSTRUCTIVO ANTES DE USAR EL PRODUCTO.

9R198001RA 03/13

FN250SB
BN200SB

SAFETY INSTRUCTIONS

The Porter Cable Finish tools are precision-built tools, designed for high speed, high volume nailing and stapling. These tools will deliver efficient, dependable service when used correctly and with care. As with any fine power tool, for best performance the manufacturer's instructions must be followed. Please study this manual before operating the tool and understand the safety warnings and cautions. The instructions on installation, operation and maintenance should be read carefully, and the manual kept for reference. NOTE: Additional safety measures may be required because of your particular application of the tool. Contact your PORTER CABLE representative or distributor with any questions concerning the tool and its use. PORTER CABLE, 701 E. Joppa Road, Towson, Maryland 21286, U.S. & Canada Only, É.-U. et Canada seulement

INDEX

Safety Instructions	3
Tool Specifications	4
Air Supply: Fittings, Hoses, Filters, Air Consumption, Regulators, Operating Pressure, Setting Correct Pressure	4-5
Lubrication	5
Loading the Tool	6-7
Tool Operation	8
Maintaining the Pneumatic Tool	9
Depth Adjustment	10
Trouble Shooting	11

THREE YEAR LIMITED WARRANTY

PORTER-CABLE will repair, without charge, any defects due to faulty materials or workmanship for three years from the date of purchase. This warranty does not cover part failure due to normal wear or tool abuse. For further detail of warranty coverage and warranty repair information, visit www.portercable.com or call 1-888-848-5175 (U.S. & Canada Only). This warranty does not apply to accessories or damage caused where repairs have been made or attempted by others. This warranty gives you specific legal rights and you may have other rights which vary in certain states or provinces.

In addition to the warranty, PORTER-CABLE tools are covered by our:

1 YEAR FREE SERVICE: PORTER-CABLE will maintain the tool and replace worn parts caused by normal use, for free, any time during the first year after purchase.

90 DAY MONEY BACK GUARANTEE: If you are not completely satisfied with the performance of your PORTER-CABLE Power Tool, Laser, or Nailer for any reason, you can return it within 90 days from the date of purchase with a receipt for a full refund – no questions asked.

LATIN AMERICA: This warranty does not apply to products sold in Latin America. For products sold in Latin America, see country specific warranty information contained in the packaging, call the local company or see website for warranty information.

To register your tool for warranty service visit our website at www.portercable.com.

DEFINITIONS - SAFETY GUIDELINES

When using any pneumatic tool, all safety precautions, as outlined below, should be followed to avoid the risk of death or serious injury. Read and understand the instructions before operating the tool.

⚠WARNING: This manual contains information that is important for you to know and understand. This information relates to protecting YOUR SAFETY and PREVENTING EQUIPMENT PROBLEMS. To help you recognize this information, we use the symbols below. Please read the manual and pay attention to these symbols.

⚠DANGER: Indicates an imminently hazardous situation which, if not avoided, will result in death or serious injury.

⚠WARNING: Indicates a potentially hazardous situation which, if not avoided, may result in minor or moderate injury.

⚠CAUTION: Used without the safety alert symbol indicates a situation which, if not avoided, may result in property damage.

SAFETY INSTRUCTIONS

⚠️WARNING:

EYE PROTECTION which conforms to ANSI specifications and provides protection against flying particles both from the **FRONT** and **SIDE** should **ALWAYS** be worn by the operator and others in the work area when connecting to air supply, loading, operating or servicing this tool. Eye protection is required to guard against flying fasteners and debris, which could cause severe eye injury.



The employer and/or user must ensure that proper eye protection is worn. Eye protection equipment must conform to the requirements of the American National Standards Institute, ANSI Z87.1/CAN/CSA Z94.3 and provide both frontal and side protection. **NOTE:** Non-side shielded spectacles and face shields alone do not provide adequate protection.



Additional Safety Protection will be required in some environments. For example, the working area may include exposure to noise level which can lead to hearing damage. The employer and user must ensure that any necessary hearing protection is provided and used by the operator and others in the work area. Some environments will require the use of head protection equipment. When required, the employer and user must ensure that head protection conforming to ANSI CAN/CSA Z89.1 is used.

Some dust created by power sanding, sawing, grinding, drilling, and other construction activities contains chemicals known to the State of California to cause cancer, birth defects or other reproductive harm. Some examples of these chemicals are:

- lead from lead-based paints
- crystalline silica from bricks and cement and other masonry products
- arsenic and chromium from chemically-treated lumber

⚠️WARNING:

Your risk from these exposures varies, depending on how often you do this type of work. To reduce your exposure to these chemicals: work in a well ventilated area, and work with approved safety equipment, such as those dust masks that are specially designed to filter out microscopic particles.

AIR SUPPLY AND CONNECTIONS

⚠️WARNING:

Do not use oxygen, combustible gases, or bottled gases as a power source for this tool as tool may explode, possibly causing injury.

⚠️WARNING:

Do not use supply sources which can potentially exceed 200 P.S.I.G. as tool may burst, possibly causing injury.

⚠️WARNING:

The connector on the tool must not hold pressure when air supply is disconnected. If a wrong fitting is used, the tool can remain charged with air after disconnecting and thus will be able to drive a fastener even after the air line is disconnected possibly causing injury.

⚠️WARNING:

Do not pull trigger or depress contact arm while connected to the air supply as the tool may cycle, possibly causing injury.

⚠️WARNING:

Always disconnect air supply: 1.) Before making adjustments; 2.) When servicing the tool; 3.) When clearing a jam; 4.) When tool is not in use; 5.) When moving to a different work area, as accidental actuation may occur, possibly causing injury; 6.) Before placing tool on any surface, hanging tool on belt, or otherwise temporarily suspending use of the tool.

LOADING TOOL

⚠️WARNING:

When loading tool: 1.) Never place a hand or any part of body in fastener discharge area of tool; 2.) Never point tool at anyone; 3.) Do not pull the trigger or depress the trip as accidental actuation may occur, possibly causing injury.

OPERATION

⚠️WARNING:

Always handle the tool with care: 1.) Never engage in horseplay; 2.) Never pull the trigger unless nose is directed toward the work; 3.) Keep others a safe distance from the tool while tool is in operation as accidental actuation may occur, possibly causing injury.

⚠️WARNING:

The operator must not hold the trigger pulled on contact arm tools except during fastening operation as serious injury could result if the trip accidentally contacted someone or something, causing the tool to cycle.

⚠️WARNING:

Keep hands and body away from the discharge area of the tool. A contact arm tool may bounce from the recoil of driving a fastener and an unwanted second fastener may be driven possibly causing injury.

⚠️WARNING:

Check operation of the contact arm mechanism frequently. Do not use the tool if the arm is not working correctly as accidental driving of a fastener may result. Do not interfere with the proper operation of the contact arm mechanism.

⚠️WARNING:

Do not drive fasteners on top of other fasteners or with the tool at an overly steep angle as this may cause deflection of fasteners which could cause injury.

⚠️WARNING:

Do not drive fasteners close to the edge of the work piece as the wood may split, allowing the fastener to be deflected possibly causing injury.

⚠WARNING: This nailer produces SPARKS during operation. NEVER use the nailer near flammable substances, gases or vapors including lacquer, paint, benzine, thinner, gasoline, adhesives, mastics, glues or any other material that is – or the vapors, fumes or byproducts of which are – flammable, combustible or explosive. Using the nailer in any such environment could cause an EXPLOSION resulting in personal injury or death to user and bystanders.

MAINTAINING THE TOOL

⚠WARNING: When working on air tools note the warnings in this manual and use extra care when evaluating problem tools.

TOOL SPECIFICATIONS

All screws and nuts are metric.

MODEL	TOOL ACTUATION	LENGTH	HEIGHT	WIDTH	WEIGHT
BN200SB	Sequential Trip	9.25"	9.5"	2"	2.69 lbs.
FN250SB	Sequential Trip	11.25"	11.50"	3"	4.03 lbs.

FASTENER SPECIFICATIONS:

MODEL	FASTENER SERIES:	GAUGE	FASTENER RANGE
BN200SB	PBN Series	18	5/8" - 2"
FN250SB	PFN Series	16	1" - 2-1/2"

TOOL AIR FITTING:

These tools use a free-flow connector plug, 1/4 N.P.T. The inside diameter should be .200" (5mm) or larger. The fitting must be capable of discharging tool air pressure when disconnected from the air supply.

OPERATING PRESSURE:

70 to 100 psi (4.8 to 6.9 bar). Select the operating pressure within this range for best fastener performance.

⚠WARNING: DO NOT EXCEED THIS RECOMMENDED OPERATING PRESSURE.

OPERATION

SEQUENTIAL TRIP

This tool is supplied with a sequential trip trigger installed.

The Sequential Trip requires the operator to hold the tool against the work before pulling the trigger. This makes accurate fastener placement easier, for instance on trim installation, toe nailing and crating applications. The Sequential Trip allows exact fastener location without the possibility of driving a second fastener on recoil. The Sequential Trip Tool has a positive safety advantage because it will not accidentally drive a fastener if the tool is contacted against the work – or anything else – while the operator is holding the trigger pulled.

AIR SUPPLY AND CONNECTIONS

⚠WARNING: Do not use oxygen, combustible gases, or bottled gases as a power source for this tool as tool may explode, possibly causing injury.

FITTINGS:

Install a male plug on the tool which is free flowing and which will release air pressure from the tool when disconnected from the supply source.

HOSES:

Air hoses should have a minimum of 150 p.s.i. (10.6 kg/cm²) working pressure rating or 150 percent of the maximum pressure that could be produced in the air system. The supply hose should contain a fitting that will provide "quick disconnecting" from the male plug on the tool.

SUPPLY SOURCE:

Use only clean regulated compressed air as a power source for this tool. **NEVER USE OXYGEN, COMBUSTIBLE GASES, OR BOTTLED GASES, AS A POWER SOURCE FOR THIS TOOL AS TOOL MAY EXPLODE.**

REGULATOR:

A pressure regulator with an operating pressure of 0 - 125 p.s.i. (0 - 8.79 KG/CM²) is required to control the operating pressure for safe operation of this tool. Do not connect this tool to air pressure which can potentially exceed 200 p.s.i. (14 KG/CM²) as tool may fracture or burst, possibly causing injury.

OPERATING PRESSURE:

Do not exceed recommended maximum operating pressure as tool wear will be greatly increased. The air supply must be capable of maintaining the operating pressure at the tool. Pressure drops in the air supply can reduce the tool's driving power. Refer to "TOOL SPECIFICATIONS" for setting the correct operating pressure for the tool.

FILTER:

Dirt and water in the air supply are major causes of wear in pneumatic tools. A filter will help to get the best performance and minimum wear from the tool. The filter must have adequate flow capacity for the specific installation. The filter has to be kept clean to be effective in providing clean compressed air to the tool. Consult the manufacturer's instructions on proper maintenance of your filter. A dirty and clogged filter will cause a pressure drop which will reduce the tool's performance.

LUBRICATION

Frequent, but not excessive, lubrication is required for best performance. Oil added through the air line connection will lubricate the internal parts. Use PORTER CABLE Air Tool Lubricant, Mobil Velocite #10, or equivalent. Do not use detergent oil or additives as these lubricants will cause accelerated wear to the seals and bumpers in the tool, resulting in poor tool performance and frequent tool maintenance.

If no airline lubricator is used, add oil during use into the air fitting on the tool once or twice a day. Only a few drops of oil at a time is necessary. Too much oil will only collect inside the tool and will be noticeable in the exhaust cycle.

COLD WEATHER OPERATION:

When operating tools at temperatures below freezing:

1. Make sure compressor tanks have been properly drained prior to use.
2. Keep tool as warm as possible prior to use.
3. Make certain all fasteners have been removed from magazine.
4. Lower air pressure to 80 psi or less.
5. Reconnect air and load nails into magazine.
6. Actuate the tool 5 or 6 times into scrap lumber to lubricate o-rings.
7. Turn pressure up to operating level (not to exceed 120 psi) and use tool as normal.
8. Always drain the compressor tanks at least once a daily.

CAUTION: Do not store tools in a cold weather environment to prevent frost or ice formation on the tools operating valves and mechanisms that could cause tool failure.

CAUTION: Some commercial air line drying liquids are harmful to "O"-rings and seals – do not use these low temperature air dryers without checking compatibility.

LOADING THE BN200SB

⚠WARNING: **EYE PROTECTION** which conforms to ANSI specifications and provides protection against flying particles both from the **FRONT** and **SIDE** should **ALWAYS** be worn by the operator and others in the work area when loading, operating or servicing this tool. Eye protection is required to guard against flying fasteners and debris, which could cause severe eye injury.

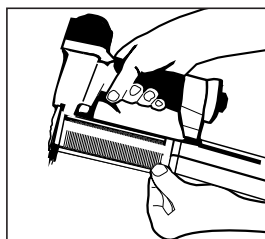


The employer and/or user must ensure that proper eye protection is worn. Eye protection equipment must conform to the requirements of the American National Standards Institute, ANSI Z87.1/CAN/CSA Z94.3 and provide both frontal and side protection. **NOTE:** Non-side shielded spectacles and face shields alone do not provide adequate protection.

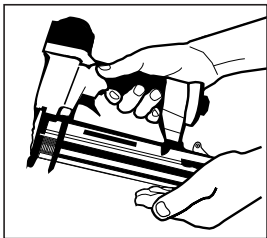
- ⚠WARNING:** **TO PREVENT ACCIDENTAL INJURIES:**
- Never place a hand or any other part of the body in nail discharge area of tool while the air supply is connected.
 - Never point the tool at anyone else.
 - Never engage in horseplay.
 - Never pull the trigger unless nose is directed at the work.
 - Always handle the tool with care.
 - Do not pull the trigger or depress the trip mechanism while loading the tool.



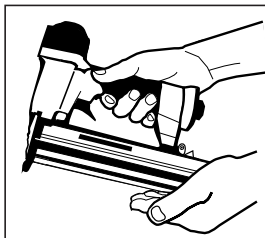
1. Disengage the latch and pull back magazine side.



2. With magazine fully open insert fasteners. Points must be against bottom of magazine.



3. Push magazine forward.



4. Continue pushing until latch is engaged.

LOADING THE FN250SB

⚠WARNING: **EYE PROTECTION** which conforms to ANSI specifications and provides protection against flying particles both from the FRONT and SIDE should ALWAYS be worn by the operator and others in the work area when loading, operating or servicing this tool. Eye protection is required to guard against flying fasteners and debris, which could cause severe eye injury.



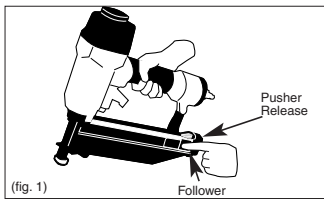
The employer and/or user must ensure that proper eye protection is worn. Eye protection equipment must conform to the requirements of the American National Standards Institute, ANSI Z87.1/CAN/CSA Z94.3 and provide both frontal and side protection. NOTE: Non-side shielded spectacles and face shields alone do not provide adequate protection.

⚠WARNING: **TO PREVENT ACCIDENTAL INJURIES:**

- Never place a hand or any other part of the body in nail discharge area of tool while the air supply is connected.
- Never point the tool at anyone else.
- Never engage in horseplay.
- Never pull the trigger unless nose is directed at the work.
- Always handle the tool with care.
- Do not pull the trigger or depress the trip mechanism while loading the tool.

1. LOAD NAILS:

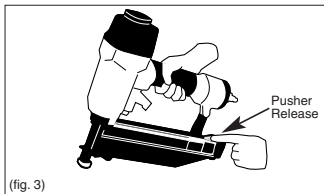
Pull follower back until it latches.
(fig. 1)



Insert nails into track of magazine
(fig. 2)



Press pusher release to disengage follower (fig. 3)



TOOL OPERATION

⚠ WARNING: **EYE PROTECTION** which conforms to ANSI specifications and provides protection against flying particles both from the FRONT and SIDE should ALWAYS be worn by the operator and others in the work area when connecting to air supply, loading, operating or servicing this tool. Eye protection is required to guard against flying fasteners and debris, which could cause severe eye injury.



The employer and/or user must ensure that proper eye protection is worn. Eye protection equipment must conform to the requirements of the American National Standards Institute, ANSI Z87.1/CAN/CSA Z94.3 and provide both frontal and side protection. NOTE: Non-side shielded spectacles and face shields alone do not provide adequate protection.

BEFORE HANDLING OR OPERATING THIS TOOL:

- I. READ AND UNDERSTAND THE WARNINGS CONTAINED IN THIS MANUAL.
- II. REFER TO "TOOL SPECIFICATIONS" IN THIS MANUAL TO IDENTIFY THE OPERATING SYSTEM ON YOUR TOOL.

OPERATION

SEQUENTIAL TRIP OPERATION:

This tool is supplied with a sequential trip trigger installed.

The SEQUENTIAL TRIP contains a contact trip that operates in conjunction with the trigger to drive a fastener. To operate a sequential trip tool, first position the contact trip on the work surface WITHOUT PULLING THE TRIGGER. Depress the contact trip and then pull the trigger to drive a fastener. As long as the contact trip is contacting the work and is held depressed, the tool will drive a fastener each time the trigger is depressed. If the contact trip is allowed to leave the work surface, the sequence described above must be repeated to drive another fastener.

TOOL OPERATION CHECK

Remove all fasteners from tool before performing tool operation check.

SEQUENTIAL TRIP OPERATION:

- A. Press the contact trip against the work surface, without touching the trigger.
THE TOOL MUST NOT CYCLE.
- B. Hold the tool off the work surface and pull the trigger.
THE TOOL MUST NOT CYCLE.
Release the trigger. The trigger must return to the trigger stop on the frame.
- C. Pull the trigger and press the contact trip against the work surface.
THE TOOL MUST NOT CYCLE.
- D. With finger off the trigger, press the contact trip against the work surface. Pull the trigger.
THE TOOL MUST CYCLE.

IN ADDITION TO THE OTHER WARNINGS CONTAINED IN THIS MANUAL OBSERVE THE FOLLOWING FOR SAFE OPERATION

- Use the PORTER CABLE pneumatic tool only for the purpose for which it was designed.
- Never use this tool in a manner that could cause a fastener to be directed toward the user or others in the work area.
- Do not use the tool as a hammer.
- Always carry the tool by the handle. Never carry the tool by the air hose.
- Do not alter or modify this tool from the original design or function without approval from PORTER CABLE, INC.
- Always be aware that misuse and improper handling of this tool can cause injury to yourself and others.

- Never clamp or tape the trigger or contact trip in an actuated position.
- Never leave a tool unattended with the air hose attached.
- Do not operate this tool if it does not contain a legible WARNING LABEL.
- Do not continue to use a tool that leaks air or does not function properly. Notify your nearest Porter cable representative if your tool continues to experience functional problems.

MAINTAINING THE PNEUMATIC TOOL

⚠WARNING: When working on air tools, note the warnings in this manual and use extra care evaluating problem tools.

⚠CAUTION: Pusher spring (constant force spring). Caution must be used when working with the spring assembly. The spring is wrapped around, but not attached to, a roller. If the spring is extended beyond its length, the end will come off the roller and the spring will roll up with a snap, with a chance of pinching your hand. Also the edges of the spring are very thin and could cut. Care must also be taken to insure no permanent kinks are put in the spring as this will reduce the springs force.

REPLACEMENT PARTS:

PORTER CABLE replacement parts are recommended. Do not use modified parts or parts which will not give equivalent performance to the original equipment.

ASSEMBLY PROCEDURE FOR SEALS:

When repairing a tool, make sure the internal parts are clean and lubricated. Use Parker "O"-LUBE or equivalent on all "O"-rings. Coat each "O"-ring with "O"-LUBE before assembling. Use a small amount of oil on all moving surfaces and pivots. After reassembly add a few drops of PORTER CABLE Air Tool Lubricant through the air line fitting before testing.

AIR SUPPLY-PRESSURE AND VOLUME:

Air volume is as important as air pressure. The air volume supplied to the tool may be inadequate because of undersize fittings and hoses, or from the effects of dirt and water in the system. Restricted air flow will prevent the tool from receiving an adequate volume of air, even though the pressure reading is high. The results will be slow operation, misfeeds or reduced driving power. Before evaluating tool problems for these symptoms, trace the air supply from the tool to the supply source for restrictive connectors, swivel fittings, low points containing water and anything else that would prevent full volume flow of air to the tool.

DEPTH ADJUSTMENT

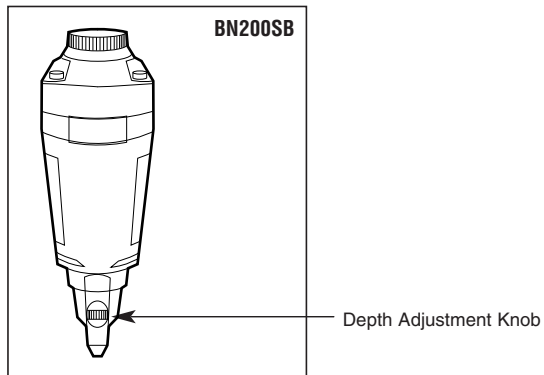
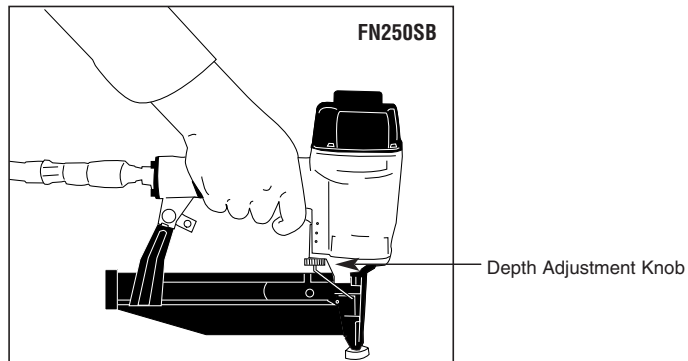
⚠WARNING: Always disconnect air supply: 1. Before making adjustments; 2. When servicing the tool; 3. When clearing a jam; 4. When tool is not in use; 5. When moving to a different work area, as accidental actuation may occur, possibly causing injury.

BN200SB AND FN250SB FASTENER CONTROL ADJUSTMENT

The Fastener Control adjustment feature provides close control of the fastener drive depth; from flush with the work surface to shallow or deep countersink. First, set the air pressure for consistent drive in the specific work. Then use the Fastener Control adjustment to give the desired depth of drive.

TO ADJUST FASTENER CONTROL ADJUSTMENT:

1. With air pressure set, drive a few fasteners into a representative material sample to determine if adjustment is necessary.
2. If adjustment is required, disconnect air supply.



TROUBLE SHOOTING

PROBLEM	CAUSE	CORRECTION
Trigger valve housing leaks air	O-ring cut or cracked	Replace O-ring
Trigger valve stem leaks air	O-ring/seals cut or cracked	Replace trigger valve assembly
Frame/nose leaks air	Loose nose screws	Tighten and recheck
	O-ring or Gasket is cut or cracked	Replace O-ring or gasket
	Bumper cracked/worn	Replace bumper
Frame/cap leaks air	Damaged gasket or seal	Replace gasket or seal
	Cracked/worn head valve bumper	Replace bumper
	Loose cap screws	Tighten and recheck
Failure to cycle	Air supply restriction	Check air supply equipment
	Tool dry, lack of lubrication	Use PORTER CABLE Air Tool Lubricant
	Worn head valve O-rings	Replace O-rings
	Broken cylinder cap spring	Replace cylinder cap spring
Lack of power; slow to cycle	Head valve stuck in cap	Disassemble/Check/Lubricate
	Tool dry, lacks lubrication	Use PORTER CABLE Air Tool Lubricant
	Broken cylinder cap spring	Replace cap spring
	O-rings/seals cut or cracked	Replace O-rings/seals
	Exhaust blocked	Check bumper, head valve spring, muffler
	Trigger assembly worn/leaks	Replace trigger assembly
	Dirt/tar build up on driver	Disassemble nose/driver to clean
	Cylinder sleeve not seated correctly on bottom bumper	Disassemble to correct
	Head valve dry	Disassemble/lubricate
	Air pressure too low	Check air supply equipment
Skipping fasteners; intermittent feed	Worn bumper	Replace bumper
	Tar/dirt in driver channel	Disassemble and clean nose and driver
	Air restriction/inadequate air flow through quick disconnect socket and plug	Replace quick disconnect fittings
	Worn piston O-ring	Replace O-ring, check driver
	Tool dry, lacks lubrication	Use PORTER CABLE Air Tool Lubricant
	Damaged pusher spring	Replace spring
	Low air pressure	Check air supply system to tool
	Loose magazine nose screws	Tighten all screws
	Fasteners too short for tool	Use only recommended fasteners
	Bent fasteners	Discontinue using these fasteners
	Wrong size fasteners	Use only recommended fasteners
	Leaking head cap gasket	Tighten screws/replace gasket
	Trigger valve O-ring cut/worn	Replace O-ring
	Broken/chipped driver	Replace driver (check piston O-ring)
	Dry/dirty magazine	Clean/lubricate use PORTER CABLE Air Tool Lubricant
	Worn magazine	Replace magazine
	Fasteners jam in tool	Driver channel worn
Wrong size fasteners		Use only recommended fasteners
Bent fasteners		Discontinue using these fasteners
Loose magazine/nose screws		Tighten all screws
Broken/chipped driver		Replace driver

INTRODUCCIÓN

Las herramientas PORTER CABLE son herramientas construidas a precisión, diseñadas para clavar con exactitud un alto volumen de clavos. Estas herramientas entregan un servicio eficiente y fiable cuando se usan correctamente y con cuidado. Al igual que con toda herramienta automática de calidad, deben seguirse las instrucciones del fabricante para obtener el óptimo rendimiento. Estudie este manual antes de operar la herramienta y tome nota de las advertencias y precauciones de seguridad. Deben leerse en detalle las instrucciones sobre la instalación, operación y mantenimiento, y debe conservarse el manual para referencia. NOTA: Pueden necesitarse medidas adicionales de seguridad según la aplicación particular de la herramienta. Diríjase al representante o distribuidor de Stanley-PORTER CABLE si tiene alguna pregunta referente a la herramienta y su uso. PORTER CABLE, 701 E. Joppa Road, Towson, Maryland 21286, EE.UU.

ÍNDICE

Instrucciones de seguridad	13
Especificaciones de la herramienta	14
Suministro de aire: conexiones, mangueras, filtros, consumo de aire, reguladores, presión de funcionamiento, ajuste de la presión correcta	14-15
Lubricación	15
Cómo cargar la herramienta	16-17
Operación de la herramienta	18
Mantenimiento de la herramienta neumática	19
Ajuste de la profundidad	20
Diagnóstico de falla	21

GARANTÍA LIMITADA POR TRES AÑOS

PORTER-CABLE reparará, sin cargo, cualquier falla que surja de defectos en el material o la fabricación del producto, por hasta tres años a contar de la fecha de compra. Esta garantía no cubre fallas de las piezas causadas por su desgaste normal o abuso a la herramienta. Para mayores detalles sobre la cobertura de la garantía e información acerca de reparaciones realizadas bajo garantía, visítenos en www.portercable.com o diríjase al centro de servicio más cercano. Esta garantía no aplica a accesorios o a daños causados por reparaciones realizadas o intentadas por terceros. Esta garantía le otorga derechos legales específicos, además de los cuales puede tener otros dependiendo del estado o provincia en que se encuentre.

Además de la garantía, las herramientas PORTER-CABLE están cubiertas por:

1 AÑO DE SERVICIO GRATUITO: PORTER-CABLE mantendrá la herramienta y reemplazará las piezas gastadas por su uso normal, sin cobro, en cualquier momento durante un año a contar de la fecha de compra.

GARANTÍA DE REEMBOLSO DE SU DINERO POR 90 DÍAS: Si no está completamente satisfecho con el desempeño de su máquina herramienta o clavadora PORTER-CABLE, cualquiera sea el motivo, podrá devolverlo hasta 90 días de la fecha de compra con su recibo y obtener el reembolso completo de su dinero – sin necesidad de responder a ninguna pregunta.

AMÉRICA LATINA: Esta garantía no se aplica a los productos que se venden en América Latina. Para los productos que se venden en América Latina, debe consultar la información de la garantía específica del país que viene en el empaque, llamar a la compañía local o visitar el sitio Web a fin de obtener esa información.

Para registrar la herramienta para obtener el mantenimiento cubierto por la garantía, visite nuestro sitio web en www.portercable.com.

PAUTAS DE SEGURIDAD / DEFINICIONES

Cuando utilice cualquier herramienta neumática, deben respetarse todas las precauciones de seguridad para evitar el riesgo de muerte o lesiones graves. Lea y comprenda las instrucciones antes de hacer funcionar la herramienta.

▲ ADVERTENCIA: Este manual contiene información importante para que conozca y comprenda. Esta información está relacionada con la protección de SU SEGURIDAD y con EVITAR PROBLEMAS EN EL EQUIPO. Para ayudarlo a reconocer esta información, utilizaremos los símbolos siguientes. Lea el manual y preste atención a estos símbolos.

▲ PELIGRO: Indica una situación de peligro inminente que, si no se evita, provocará la muerte o lesiones graves.

▲ ADVERTENCIA: Indica una situación de peligro potencial que, si no se evita, podría provocar la muerte o lesiones graves.

▲ PRECAUCIÓN: Indica una situación de peligro potencial que, si no se evita, puede provocar lesiones leves o moderadas.

INSTRUCCIONES DE SEGURIDAD

⚠ ADVERTENCIA:

Cuando el equipo está conectado al suministro de aire, tanto el operador como todas las personas que se encuentren en el área de trabajo, SIEMPRE deben usar PROTECCION OCULAR que cumpla las especificaciones ANSI para resguardo contra partículas volantes arrojadas desde el FRENTE o los LATERALES. Dicha protección ocular se requiere para proteger contra residuos y remaches volantes, que podrían causar graves lesiones en los ojos.



El empleador y/o usuario debe asegurar que la debida protección para los ojos sea usada. El equipo protector de los ojos debe cumplir con los requisitos del Instituto de Normas Nacionales Americano (American National Standards Institute), ANSI Z87.1/CAN/CSA Z94.3 y debe proveer protección de frente y de los lados. NOTA: Las gafas de seguridad que no están protegidas de los lados y las máscaras por sí solas no proveen la debida protección.

En algunos ambientes se necesitará protección adicional de seguridad. Por ejemplo, el área de trabajo puede exponer a un nivel de ruido que lesione el oído. El empleador y el usuario deben comprobar que se cuente con la protección necesaria del oído y que el operador y los demás presentes en el área la usen. Algunos ambientes exigirán el uso de casco protector. Cuando sea necesario, el empleado y el usuario deben verificar que se proteja la cabeza en conformidad con la norma ANSI CAN/CSA Z89.1.



El Estado de California tiene conocimiento de que cierto polvo generado por el lijado eléctrico, el aserrado, el taladrado y otras actividades de construcción contiene componentes químicos que provocan cáncer, defectos en el nacimiento u otros daños reproductivos. Algunos ejemplos de estos componentes químicos son:

- plomo de pinturas a base de plomo,
- sílice cristalina de ladrillos, cemento y otros productos de mampostería
- arsénico y cromo de leños tratados químicamente

⚠ ADVERTENCIA:

El riesgo a estas exposiciones varía según la frecuencia con la que realiza este tipo de trabajo. Para reducir la exposición a estos componentes químicos: trabaje en un área bien ventilada y con el equipo de seguridad aprobado, como las mascarillas contra el polvo especialmente diseñadas para filtrar las partículas microscópicas.

SUMINISTRO DE AIRE Y CONEXIONS

⚠ ADVERTENCIA:

No utilice oxígeno ni gases combustibles o embotellados como fuente de suministro para esta herramienta, ya que la herramienta puede estallar, posiblemente causando lesiones.

⚠ ADVERTENCIA:

No utilice fuentes de suministro que potencialmente excedan las 14 Kg/cm² (13,8 bars) ya que la herramienta puede estallar, posiblemente causando lesiones.

El conector de la herramienta no debe tener presión al desconectarse el suministro de aire. Si se utiliza una conexión equivocada, la herramienta puede permanecer cargada con aire después de ser desconectada y por lo tanto podrá impulsar a sujetador aún después de que la línea de aire sea desconectada, posiblemente causando lesiones.

⚠ ADVERTENCIA:

No hale el gatillo ni oprima el brazo de contacto mientras la herramienta esté conectada al suministro de aire ya que la herramienta puede ciclarse, posiblemente causando lesiones.

⚠ ADVERTENCIA:

Siempre desconecte el suministro de aire: 1.) Antes de efectuar ajustes; 2.) Al hacerle servicio a la herramienta; 3.) Al despejar un atascamiento; 4.) Cuando la herramienta no esté en uso; 5.) Al mudarse de un área distinta de trabajo, ya que se puede activar accidentalmente, posiblemente causando lesiones. 6.) Antes de colocar la herramienta en una superficie, colgarla del cinturón o suspender provisoriamente su uso.

AL CARGAR LA HERRAMIENTA

⚠ ADVERTENCIA:

Al cargar la herramienta: 1.) Nunca coloque una mano o cualquier otra parte del cuerpo en el área de descarga del sujetador de la herramienta; 2.) Nunca apunte la herramienta hacia otra persona; 3.) No hale el gatillo ni oprima el disparador ya que se puede activar accidentalmente, posiblemente causando lesiones.

OPERACIÓN

⚠ ADVERTENCIA:

Siempre maneje la herramienta con cuidado. 1.) Nunca participe en juegos rudos con la herramienta; 2.) Nunca hale el gatillo al menos que la nariz esté apuntada hacia el trabajo; 3.) Mantenga a las demás personas a una distancia segura de la herramienta mientras la herramienta esté en operación ya que se puede activar accidentalmente, causando posibles lesiones.

⚠ ADVERTENCIA:

No mantenga el gatillo halado en las herramientas del brazo de contacto, salvo durante la operación de engrapado, ya que pueden resultar serias lesiones si el disparador accidentalmente se pusiera en contacto con alguien o con algo, causando que se cicle la herramienta.

⚠ ADVERTENCIA:

Mantenga las manos y el cuerpo alejados del área de descarga de la herramienta. Una herramienta con brazo de contacto puede rebotar debido a la reculada al impulsar un sujetador y se puede impulsar accidentalmente un segundo sujetador, causando posibles lesiones.

⚠ ADVERTENCIA:

Verifique la operación del mecanismo del brazo de contacto frecuentemente. No utilice la herramienta si el brazo no está funcionando correctamente ya que se puede impulsar accidentalmente otro sujetador. No interfiera con la debida operación del mecanismo del brazo de contacto.

⚠ ADVERTENCIA:

No meta los sujetadores encima de otros sujetadores o teniendo la herramienta demasiado inclinada ya que esto podría causar que los sujetadores se desviarán, y a su vez causaran lesiones.

⚠ ADVERTENCIA: No meta los sujetadores cerca del borde de la pieza de trabajo porque la madera podría separarse, lo que permitiría que el sujetador se desviara y causara lesiones.

⚠ ADVERTENCIA: Esta clavadora produce CHISPAS durante la operación. NUNCA use la clavadora cerca de sustancias, gases ni vapores inflamables, incluidos diluyentes, lacas, pintura, bencina, gasolina, adhesivos, mástique, pegamentos ni ningún otro material que sea inflamable, combustible o explosivo – o vapores, emanaciones o subproductos que puedan serlo. Si se usa la clavadora en cualquier ambiente de este tipo podría causar una EXPLOSION produciendo lesiones físicas o fatales para el usuario y las personas en la cercanía.

MANTENIMIENTO DE LA HERRAMIENTA

⚠ ADVERTENCIA: Tome nota de las advertencias en este manual al trabajar con herramientas neumáticas y tenga mayor cuidado al evaluar herramientas problemáticas

ESPECIFICACIONES DE LA HERRAMIENTA

Todos las medidas de tornillos y tuercas son métricas.

MODELO	ACTIVACIÓN DE LA HERRAMIENTA	LARGO	ALTURA	ANCHO	PESO
BN200SB	Sequential Trip	234.9 mm (9.25")	241.3 mm (9.5")	50.8 mm (2")	2.69 lbs.
FN250SB	Sequential Trip	285.7 mm (11.25")	292.1 mm (11.50")	76.2 mm (3")	4.03 lbs.

ESPECIFICACIONES DEL SUJETADOR:

MODELO	SERIES DE SUJETADORES:	CALIBRE	RANGO DEL SUJETADOR:
BN200SB	PBN Series	18	15.2 mm - 50.8 mm (5/8" - 2")
FN250SB	PFN Series	16	25.4 mm - 63.5 mm (1" - 2-1/2")

CONEXIÓN DE AIRE DE LA HERRAMIENTA:

Estas herramientas usan un enchufe conector de flujo libre de 1/4 N.P.T. El diámetro interior debe ser de 5 mm (0.2") o mayor. La conexión debe ser capaz de descargar la presión de aire de la herramienta cuando se desconecta del suministro de aire.

PRESIÓN DE OPERACIÓN:

70 to 100 psi (4.8 to 6.9 bar). Seleccione la presión de operación dentro de este rango para el mejor rendimiento de los sujetadores.

⚠ ADVERTENCIA: NO EXCEDA ESTA PRESIÓN DE OPERACIÓN RECOMENDADA.

OPERACIÓN

DISPARO SECUENCIAL

Esta herramienta cuenta con un activador seleccionable.

El Disparo Secuencial requiere que el operador mantenga la herramienta sobre la superficie del objeto antes de halar el gatillo. Esto facilita la colocación precisa del sujetador, por ejemplo, en la instalación de la terminación, el clavado oblicuo y aplicaciones de perforación de huecos. El Disparo Secuencial permite la colocación exacta de sujetadores sin la posibilidad de impulsar un segundo sujetador en la reculada, según se describe bajo "Disparo por Contacto". La Herramienta de Disparo Secuencial tiene una ventaja de seguridad positiva, ya que no impulsará un sujetador accidentalmente si la herramienta entra en contacto con el objeto de trabajo – o cualquier otra cosa – mientras el operador mantenga el gatillo halado.

SUMINISTRO DE AIRE Y CONEXIONES

⚠ ADVERTENCIA: No use oxígeno, gases combustibles o gases embotellados como una fuente de suministro para esta herramienta, ya que la herramienta puede estallar, posiblemente causando lesiones.

CONEXIONES:

Instale un enchufe macho en la herramienta que fluya libre y que descargue la presión de aire de la herramienta cuando sea desconectada de la fuente de suministro.

MANGUERAS:

Las mangueras de aire deben tener un mínimo de clasificación de presión de operación de 10,5 Kg/cm² (10,3 bars) ó 150 por ciento de la presión máxima de operación que podría producirse en el sistema de aire. La manguera de suministro debe contener una conexión que provea un "desconectado rápido" del enchufe macho en la herramienta.

FUENTE DE SUMINISTRO:

Use sólo aire comprimido regulado limpio como una fuente de suministro para esta herramienta. **NUNCA USE OXÍGENO, GASES COMBUSTIBLES O GASES EMBOTELLADOS COMO UNA FUENTE DE SUMINISTRO PARA ESTA HERRAMIENTA, YA QUE LA HERRAMIENTA PODRÍA ESTALLAR.**

REGULADOR:

Se requiere un regulador de presión con una presión de operación de 0-8,7 Kg/cm² (8,6 bars) para controlar la presión de operación para la segura operación de esta herramienta. No conecte esta herramienta a una presión de aire que potencialmente exceda 14 Kg/cm² (13,8 bars), ya que la herramienta puede fracturarse o estallar, posiblemente causando lesiones.

PRESIÓN DE OPERACIÓN:

No exceda una presión de operación de 7,0 Kg/cm² (6,9 bars) El suministro de aire debe ser capaz de mantener la presión de operación en la herramienta. Las caídas de presión en el suministro de aire pueden reducir la potencia de impulso de la herramienta. Consulte "ESPECIFICACIONES DE LA HERRAMIENTA" para fijar la debida presión de operación para la herramienta.

FILTRO:

La suciedad y el agua en el suministro de aire son causas principales del desgaste en las herramientas neumáticas. Un filtro puede ayudar a obtener el mejor rendimiento y el desgaste mínimo de la herramienta. El filtro debe tener una capacidad de flujo adecuada para la instalación en particular. El filtro debe ser mantenido limpio para que sea eficaz en proveer aire comprimido limpio a la herramienta. Consulte las instrucciones del fabricante para el debido mantenimiento de su filtro. Un filtro sucio y atascado causará una caída de presión que reducirá el rendimiento de la herramienta.

LUBRICACION

Para el mejor rendimiento se requiere una lubricación frecuente pero no excesiva. El aceite añadido a través de la conexión de la línea de aire lubricará las piezas internas. Use el Lubricante de Herramientas de Aire Mobil Velocite #10 de PORTER CABLE o un equivalente. No use aceite detergente o aditivos, ya que estos lubricantes causan el desgaste acelerado de los sellos y los amortiguadores de choque en la herramienta, dando como resultado un mal rendimiento de la herramienta y el mantenimiento frecuente de la misma.

Si no se usa un lubricante de línea de aire, añada aceite cuando se esté usando en la conexión de aire en la herramienta una o dos veces al día. Basta con añadir unas cuantas gotas cada vez. Si añade demasiado aceite, se acumulará dentro de la herramienta y se notará en el ciclo de escape.

OPERACIÓN EN LA ÉPOCA DE FRÍO:

Al operar herramientas en temperaturas muy bajas:

1. Asegúrese de que los tanques del compresor se hayan vaciado correctamente antes del uso.
2. Mantenga la herramienta lo más cálida posible antes del uso.
3. Asegúrese de que se hayan retirado todos los elementos de fijación de la fuente.
4. Reduzca la presión de aire a 5,5 bar (80 psi) o menos.
5. Vuelva a conectar el aire y cargue clavos en la fuente.
6. Haga funcionar la herramienta 5 ó 6 veces en madera de desecho para lubricar las juntas tóricas.
7. Incremente la presión hasta el nivel de operación (sin exceder 8,3 bar [120 psi]) y utilice la herramienta normalmente.
8. Vacíe siempre los tanques del compresor al menos una vez al día.

PRECAUCIÓN: No almacene las herramientas en ambientes fríos para impedir que se forme el hielo en las válvulas y los mecanismos de operación de la herramienta, lo cual podría hacer que la herramienta falle.

PRECAUCIÓN: Algunos líquidos comerciales secadores de líneas de aire pueden dañar los anillos en "O" y los sellos — no use estos secadores de aire de baja temperatura sin verificar su compatibilidad.

CÓMO CARGAR LAS HERRAMIENTAS BN200SB

⚠ ADVERTENCIA:

PROTECCIÓN PARA LOS OJOS que cumple con las especificaciones de ANSI y que proporciona protección contra partículas voladoras tanto del FRENTE como del LADO debe ser usada SIEMPRE por el OPERADOR y otros en el área de trabajo al cargar, operar o hacerle servicio a esta herramienta. La protección para los ojos es necesaria para proteger contra sujetadores voladores y escombros que pueden causar daños severos a los ojos.

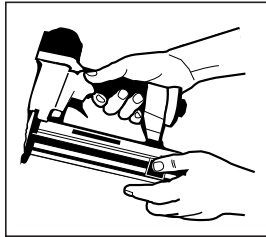


El empleador y/o usuario debe asegurar que la debida protección para los ojos sea usada. El equipo protector de los ojos debe cumplir con los requisitos del Instituto de Normas Nacionales Americano (American National Standards Institute), ANSI Z87.1/CAN/CSA Z94.3 y debe proveer protección de frente y de los lados. NOTA: Las gafas de seguridad que no están protegidas de los lados y las máscaras por sí solas no proveen la debida protección.

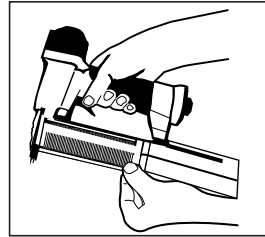
⚠ ADVERTENCIA:

ADVERTENCIA: PARA IMPEDIR LESIONES ACCIDENTALES:

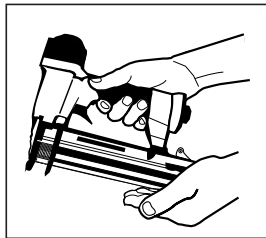
- Nunca coloque una mano o cualquier otra parte del cuerpo en el área de descarga del sujetador de la herramienta mientras el suministro de aire está conectado;
- Nunca apunte la herramienta hacia otra persona;
- Nunca participe en juegos rudos con la herramienta;
- Nunca hale el gatillo a menos que la nariz esté apuntada hacia el trabajo;
- Siempre maneje la herramienta con cuidado.
- No hale el gatillo ni oprima el mecanismo de disparo al cargar la herramienta.



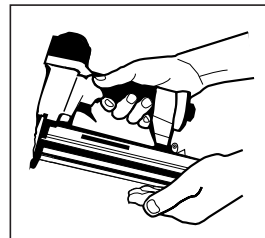
1. Désenclencher le système de verrouillage et tirer vers l'arrière pour ouvrir le magasin.



2. Le magasin étant complètement ouvert, insérer les éléments d'assemblage. Les pointes doivent se trouver contre le fond du magasin.



3. Pousser le magasin vers l'avant.



4. Pousser sur le magasin jusqu'à enclenchement du système de verrouillage.

CÓMO CARGAR LAS HERRAMIENTAS FN250SB

⚠ ADVERTENCIA:



PROTECCIÓN PARA LOS OJOS que cumple con las especificaciones de ANSI y que proporciona protección contra partículas voladoras tanto del FRENTE como del LADO debe ser usada SIEMPRE por el OPERADOR y otros en el área de trabajo al cargar, operar o hacerle servicio a esta herramienta. La protección para los ojos es necesaria para proteger contra sujetadores voladores y escombros que pueden causar daños severos a los ojos.

El empleador y/o usuario debe asegurar que la debida protección para los ojos sea usada. El equipo protector de los ojos debe cumplir con los requisitos del Instituto de Normas Nacionales Americano (American National Standards Institute), ANSI Z87.1/CAN/CSA Z94.3 y debe proveer protección de frente y de los lados. **NOTA:** Las gafas de seguridad que no están protegidas de los lados y las máscaras por sí solas no proveen la debida protección.

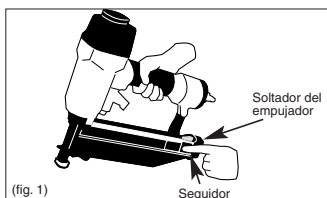
⚠ ADVERTENCIA:

ADVERTENCIA: PARA IMPEDIR LESIONES ACCIDENTALES:

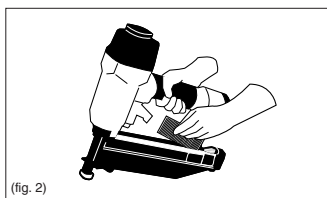
- Nunca coloque una mano o cualquier otra parte del cuerpo en el área de descarga del sujetador de la herramienta mientras el suministro de aire está conectado;
- Nunca apunte la herramienta hacia otra persona;
- Nunca participe en juegos rudos con la herramienta;
- Nunca hale el gatillo a menos que la nariz esté apuntada hacia el trabajo;
- Siempre maneje la herramienta con cuidado.
- No hale el gatillo ni oprima el mecanismo de disparo al cargar la herramienta.

1. CARGUE LOS CLAVOS:

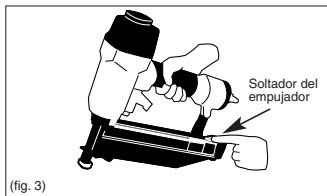
Hale el seguidor hacia atrás hasta que enganche. (fig. 1)



Inserte los clavos en la pista del cargador. (fig. 2)



Presione el soltador del empujador para desenganchar el seguidor. (fig. 3)



OPERACIÓN DE LA HERRAMIENTA

ADVERTENCIA:



PROTECCIÓN PARA LOS OJOS que cumple con las especificaciones de ANSI y que proporciona protección contra partículas voladoras tanto del FRENTE como del LADO debe ser usada SIEMPRE por el OPERADOR y otros en el área de trabajo al cargar, operar o hacerle servicio a esta herramienta. La protección para los ojos es necesaria para proteger contra sujetadores voladores y escombros que pueden causar daños severos a los ojos.

El empleador y/o usuario debe asegurar que la debida protección para los ojos sea usada. El equipo protector de los ojos debe cumplir con los requisitos del Instituto de Normas Nacionales Americano (American National Standards Institute), ANSI Z87.1/CAN/CSA Z94.3 y debe proveer protección de frente y de los lados. **NOTA:** Las gafas de seguridad que no están protegidas de los lados y las máscaras por sí solas no proveen la debida protección.

ANTES DE MANEJAR U OPERAR ESTA HERRAMIENTA:

- I. LEA Y ENTIENDA LAS ADVERTENCIAS CONTENIDAS EN ESTE MANUAL.
- II. CONSULTE "ESPECIFICACIONES DE LA HERRAMIENTA" EN ESTE MANUAL PARA IDENTIFICAR EL SISTEMA OPERATIVO DE SU HERRAMIENTA.

OPERACIÓN

OPERACIÓN DE DISPARO SECUENCIAL:

Esta herramienta cuenta con un activador seleccionable.

El OPERACIÓN SECUENCIAL incluye un disparador por contacto del objeto que funciona junto con el gatillo para impulsar un sujetador. Para operar una herramienta de disparo secuencial, primero coloque el disparo por contacto en la superficie del objeto SIN HALAR EL GATILLO. Oprima el disparo por contacto y luego hale el gatillo para impulsar un sujetador. Mientras el disparo por contacto esté en contacto con el objeto y se mantiene oprimido, la herramienta impulsará un sujetador cada vez que se oprima el gatillo. Si se permite que el disparo por contacto deje la superficie del objeto, la secuencia descrita anteriormente tendrá que ser repetida para impulsar otro sujetador.

El Modelo de Disparo Secuencial provee una ventaja positiva de seguridad ya que no impulsará accidentalmente un sujetador si se permite que la nariz de la herramienta accidentalmente entre en contacto con la superficie del objeto — u otra cosa — mientras el dedo mantiene halado el gatillo.

VERIFICACIÓN DE LA OPERACIÓN DE LA HERRAMIENTA

ADVERTENCIA:

QUITTE TODOS LOS SUJETADORES DE LA HERRAMIENTA ANTES DE EFECTUAR LA VERIFICACIÓN DE LA OPERACIÓN DE LA HERRAMIENTA!

OPERACIÓN POR DISPARO SECUENCIAL:

- A. Presione el disparador de contacto contra la superficie de trabajo, sin tocar el gatillo.
LA HERRAMIENTA NO DEBE EFECTUAR SU CICLO.
- B. Sostenga la herramienta alejada de la superficie de trabajo, y hale el gatillo.
LA HERRAMIENTA NO DEBE EFECTUAR SU CICLO.
- C. Hale el gatillo y presione el disparador de contacto contra la superficie de trabajo.
LA HERRAMIENTA NO DEBE EFECTUAR SU CICLO.
- D. Con el dedo alejado del gatillo, presione el disparador de contacto contra la superficie de trabajo. Hale el gatillo.
LA HERRAMIENTA SÍ DEBE EFECTUAR SU CICLO.

ADEMÁS DE LAS OTRAS ADVERTENCIAS CONTENIDAS EN ESTE MANUAL, OBSERVE LO SIGUIENTE PARA UNA OPERACIÓN SEGURA.

- Utilice la herramienta neumática de PORTER CABLE únicamente para impulsar sujetadores.
- Jamás utilice esta herramienta de manera que pudiera causar que un sujetador sea dirigido hacia usted mismo u otras personas dentro del área de trabajo.
- No utilice la herramienta como un martillo.
- Siempre cargue la herramienta por la manija. Jamás cargue la herramienta por la manguera de aire.

- No modifique o altere esta herramienta de su diseño original o función sin la aprobación de PORTER CABLE, INC.
- Siempre esté consciente de que el mal trato y manejo inadecuado de esta herramienta puede originar lesiones para usted y los demás.
- Jamás sujete o ate con cinta el gatillo o el disparador de contacto en una posición activada.
- Jamás deje una herramienta sola con la manguera de aire conectada.
- **NOTA:** No siga usando una herramienta que tenga una fuga de aire o que no funciona debidamente. Notifique a su representante de Porter cable más cercano si su herramienta sigue teniendo problemas de funcionamiento.

MANTENIMIENTO DE LA HERRAMIENTA NEUMÁTICA

ADVERTENCIA: Al trabajar con herramientas neumáticas, tenga presente las advertencias que se hacen en este manual, y sea particularmente cuidadoso al evaluar herramientas problemáticas.

PRECAUCIÓN: El resorte de empuje (resorte de fuerza constante): Se debe tener cuidado al trabajar con el ensamblaje de resorte. El resorte está enrollado alrededor de, pero no sujetado a, un enrollador. Si el resorte se extiende más allá de su largo, la punta se desprenderá del enrollador, y el resorte se enrollará bruscamente, y puede pellizcar su mano. Además, los bordes del resorte son muy delgados y podrían cortarlo. Se debe tener cuidado para asegurar que no se formen cocas permanentes en el resorte, ya que esto reducirá la fuerza del resorte.

PARTES DE REEMPLAZO:

Se recomienda partes de reemplazo de PORTER CABLE. No utilice partes modificadas ni partes que no brinden el mismo rendimiento que el equipo original.

PROCEDIMIENTO DE ENSAMBLE PARA LOS SELLOS:

Al reparar una herramienta, asegúrese de que las partes internas estén limpias y lubricadas. Utilice Parker "O" -LUBE o su equivalente en todos los anillos en "O". Cubra cada anillo en "O" con "O" -LUBE antes de ensamblar. Utilice una cantidad pequeña de aceite en todas las superficies y pivotes móviles. Después del rearmado, añada unas cuantas gotas del Lubricante para Herramientas Neumáticas de PORTER CABLE mediante la conexión de la línea de aire, antes de probar la herramienta.

PRESIÓN Y VOLUMEN DEL SUMINISTRO DE AIRE:

El volumen de aire es tan importante como la presión del aire. El volumen de aire suministrado a la herramienta puede ser inadecuado debido a conexiones y mangueras más pequeñas que lo normal, o debido a los efectos de polvo y agua dentro del sistema. Un flujo de aire restringido impedirá que la herramienta reciba un volumen de aire adecuado, aunque la lectura de la presión sea alta. Los resultados serán una operación lenta, la mala alimentación o una potencia impulsadora reducida. Antes de evaluar los problemas de la herramienta en busca de estos síntomas, siga la pista del suministro de aire desde la herramienta hasta la fuente de suministro para ver si hay conexiones restrictivas, accesorios giratorios, puntos bajos que contienen agua y cualquier otra cosa que evitaría un flujo de aire de volumen completo a la herramienta.

ADJUSTE DE LA PROFUNDIDAD

ADVERTENCIA:

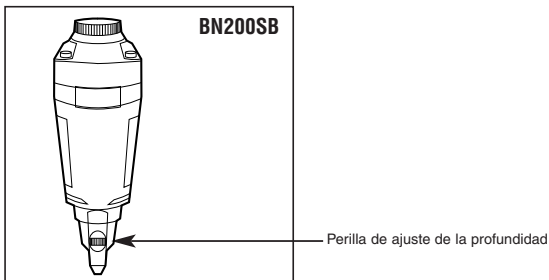
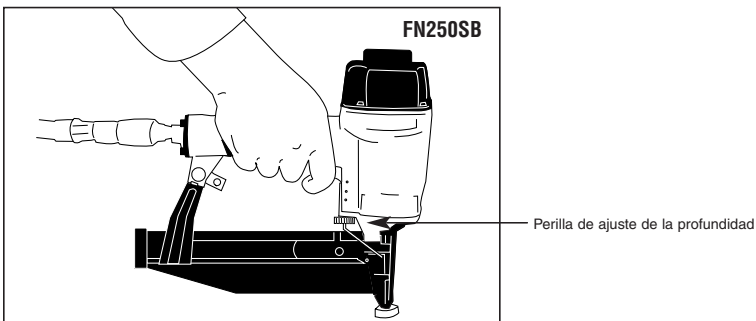
Siempre desconecte el suministro de aire: 1. antes de efectuar ajustes; 2. al dar servicio a la herramienta; 3. al eliminar un atascamiento; 4. cuando la herramienta no se usa; 5. al trasladarse a otra área de trabajo, para que no se active accidentalmente, posiblemente causando una lesión.

AJUSTE DEL CONTROL DE SUJETADORES PARA BN200SB, FN250SB

La característica de ajuste del Control de Sujetadores proporciona un control riguroso de la profundidad de impulso del sujetador, desde al ras con la superficie de trabajo hasta poco profundo o embutido en profundidad. En primer lugar, establezca la presión de aire para uniformidad de impulso en el trabajo específico luego, utilice el ajuste del Control de Sujetadores para obtener la profundidad de impulso deseada.

PARA AJUSTAR EL AJUSTE DEL CONTROL DE SUJETADORES:

1. Con la presión de aire establecida, impulse unos sujetadores en un material representativo de muestra para determinar si se necesita efectuar un ajuste.
2. Si se necesita ajuste, desconecte el suministro de aire.



DIAGNÓSTICO DE FALLA

PROBLEMA

Fuga de aire en la envoltura de la válvula disparadora.
Vástago de la válvula disparadora tiene fuga de aire.
Fuga de aire en el armazón/nariz.

Fuga de aire en el armazón/tapón.

No desempeña su ciclo.

Falta de potencia

Desempeña su ciclo lentamente

Sujetadores que saltan.

Alimentación intermitente

Los sujetadores se atorán en la herramienta

CAUSA

Anillo en O cortado o rajado

Anillos en O/sellos cortados o rajados.

Tornillos de nariz flojos.

Anillo en O/empaquetadura cortada o rajada
Amortiguador rajado/desgastado.

Empaquetadura rajada.

Amortiguador de la válvula de cabeza rajado/desgastado.

Tornillos de tapa flojos.

Restricción en el suministro de aire.

Herramienta seca, falta de lubricación.

Anillos en O de la válvula de cabeza desgastados.

Resorte de la tapa del cilindro roto.

Válvula de cabeza atorada en el tapón.

Herramienta seca, necesita lubricación.

Resorte de la tapa del cilindro roto.

Anillos en O/sellos cortados o rajados.

Escape bloqueado

Ensamblaje del gatillo desgastado/tiene fugas.

Acumulación de polvo/atquitrán en impulsor.

La manga del cilindro no está asentada debidamente en el amortiguador de abajo.

Válvula de cabeza seca.

Presión de aire demasiado baja.

Amortiguador desgastado.

Alquitrán/polvo en el canal del impulsor.

Restricción de aire/flujo de aire inadecuado a través del casquillo y tapón de desconectado rápido.

Anillo en O de pistón desgastado.

Herramienta seca, necesita lubricación.

Resorte de empuje dañado.

Baja presión de aire.

Tornillos flojos en la nariz del cargador.

Los sujetadores son demasiado cortos para la herramienta.

Sujetadores doblados.

Sujetadores de tamaño equivocado.

Empaquetadura de la tapa de cabeza con fugas.

Anillo en O de la válvula del disparador cortado/desgastado.

Impulsor roto/quebrado.

Cargador seco/sucio.

Cargador desgastado.

Canal del impulsor desgastado.

Sujetadores de tamaño equivocado.

Sujetadores doblados.

Tornillos flojos en el cargador/la nariz.

Impulsor roto/quebrado.

CORRECCIÓN

Reemplazar el anillo en O.

Reemplazar anillo en O/sellos.

Apriete y verifique nuevamente.

Reemplazar el anillo en O o empaquetadura

Reemplazar el amortiguador.

Reemplazar la empaquetadura.

Reemplazar el amortiguador.

Apriete y verifique nuevamente.

Verifique el equipo de suministro de aire.

Utilice el Lubricante para Herramientas Neumáticas de PORTER CABLE.

Reemplazar los anillos en O.

Reemplazar el resorte de la tapa del cilindro

Desensamblar/Verificar/Lubricar.

Utilice el Lubricante para Herramientas Neumáticas de PORTER CABLE.

Reemplazar el resorte de la tapa.

Reemplazar los anillos en O/sellos.

Verificar el amortiguador, resorte de la válvula de cabeza.

Reemplazar el ensamblaje del gatillo.

Desensamblar la nariz/impulsor para limpiar

Desensamblar para corregir.

Desensamblar/lubricar.

Verifique el equipo de suministro de aire

Reemplazar el amortiguador.

Desensamblar y limpiar la nariz y el impulsor

Reemplazar los accesorios de desconectado rápido.

Reemplazar el anillo en O, verificar el pistón

Utilice el Lubricante para Herramientas Neumáticas de PORTER CABLE.

Reemplazar el resorte.

Verifique el sistema de suministro de aire a la herramienta.

Apriete todos los tornillos.

Use sólo los sujetadores recomendados.

No use estos sujetadores más.

Use sólo los sujetadores recomendados.

Apriete los tornillos/Reemplazar la empaquetadura.

Reemplazar el anillo en O.

Reemplazar el impulsor.

(Verificar el anillo en O del pistón).

Limpiar/Lubricar. Utilice Lubricante para Herramientas Neumáticas de PORTER CABLE.

Reemplazar el cargador.

Reemplazar la nariz/Verificar la puerta.

Use sólo los sujetadores recomendados

No use estos sujetadores más.

Apriete todos los tornillos.

Reemplazar el impulsor.

INTRODUCTION

Les outils SB Série de Porter cable sont construits avec précision et conçus pour réaliser un travail rapide à débit maximum de clouage et agrafage. Ces outils sont faits pour assurer un service efficace et durable, à condition d'être utilisés avec précaution et selon des conditions normales d'utilisation. Comme pour tout appareil, les consignes du fabricant doivent être impérativement suivies, afin d'obtenir une bonne performance. Lire attentivement le présent manuel avant d'utiliser l'outil, en prêtant une attention particulière aux consignes de sécurité. Lire les instructions concernant l'installation, le fonctionnement et l'entretien de l'outil et conservez-les avec l'outil. **REMARQUE** : Des mesures supplémentaires de sécurité peuvent être requises selon l'usage destiné. Pour toute question concernant l'outil ou son usage, veuillez contacter votre représentant ou votre concessionnaire Porter cable, Inc., East Greenwich, Rhode Island 02818.

SOMMAIRE

Consignes de sécurité	23
Fiche technique de l'outil	24
Alimentation en air comprimé : Raccords, tuyaux, filtres, consommation d'air, régulateurs, pression d'utilisation et sa détermination	24-25
Lubrification	25
Chargement de l'appareil	26-27
Fonctionnement de l'outil	28
Entretien de l'outil pneumatique	29
Réglage de la profondeur	30
Problèmes de fonctionnement	31

GARANTIE LIMITÉE DE TROIS ANS

PORTER-CABLE réparera, sans frais, tout produit défectueux causé par un défaut de matériel ou de fabrication pour une période de trois ans à compter de la date d'achat. La présente garantie ne couvre pas les pièces dont la défectuosité a été causée par une usure normale ou l'usage abusif de l'outil. Pour obtenir de plus amples renseignements sur les pièces ou les réparations couvertes par la présente garantie, visiter le site www.portercable.com ou composer le 1-888-848-5175 (É.-U. et Canada seulement). Cette garantie ne s'applique pas aux accessoires et ne vise pas les dommages causés par des réparations effectuées par un tiers. Cette garantie confère des droits légaux particuliers à l'acheteur, mais celui-ci pourrait aussi bénéficier d'autres droits variant d'un état ou d'une province à l'autre.

En plus de la présente garantie, les outils PORTER-CABLE sont couverts par notre :

CONTRAT D'ENTRETIEN GRATUIT D'UN AN: PORTER-CABLE entretiendra l'outil et remplacera les pièces usées au cours d'une utilisation normale et ce, gratuitement, pendant une période d'un an à compter de la date d'achat, et la.

GARANTIE DE REMBOURSEMENT DE 90 JOURS: Si l'acheteur n'est pas entièrement satisfait, pour quelque raison que ce soit, du rendement de l'outil électrique ou de la cloueuse PORTER-CABLE, celui-ci peut le retourner, accompagné d'un reçu, dans les 90 jours à compter de la date d'achat, pour obtenir un remboursement intégral, sans aucun problème.

AMÉRIQUE LATINE : Cette garantie ne s'applique aux produits vendus en Amérique latine. Pour ceux-ci, veuillez consulter les informations relatives à la garantie spécifique présente dans l'emballage, appeler l'entreprise locale ou consulter le site Web pour les informations relatives à cette garantie.

Pour enregistrer l'outil en vue d'obtenir un service de garantie, consulter notre site Web au www.portercable.com.

MESURES DE SÉCURITÉ - DÉFINITIONS

Veuillez suivre toutes les consignes de sécurité décrites ci-après lors de l'utilisation d'un outil pneumatique afin d'éviter tout risque de décès ou de blessure grave. Assurez-vous de lire et de bien comprendre les consignes avant d'utiliser l'outil.

ATTENTION: Ce manuel contient des renseignements importants que vous devez connaître et comprendre. Ces renseignements concernent la protection de VOTRE SÉCURITÉ et la PRÉVENTION DE PROBLÈMES LIÉS À L'ÉQUIPEMENT. Afin de vous aider à repérer ces renseignements, nous avons utilisé les pictogrammes qui se trouvent ci-dessous. Veuillez lire le manuel et être attentif à ces pictogrammes.

DANGER: Indique une situation dangereuse imminente qui, si elle n'est pas évitée, causera la mort ou des blessures graves.

ATTENTION: Indique une situation potentiellement dangereuse qui, si elle n'est pas évitée, pourrait se solder par un décès ou des blessures graves.

ATTENTION: Indique une situation potentiellement dangereuse qui, si elle n'est pas évitée pourrait se solder par des blessures mineures ou modérées.

CONSIGNES DE SECURITE

⚠ ATTENTION:

UNE PROTECTION DES YEUX, conforme aux normes ANSI et fournissant une protection contre les projectiles en provenance de l'AVANT et des CÔTÉS, doit toujours être portée par l'opérateur et les personnes présentes dans la zone de travail, lors du raccordement au réseau d'air, du chargement, du fonctionnement et de la maintenance de l'outil. Une telle protection est indispensable pour vous protéger contre les projections d'attaches et de particules qui peuvent entraîner des blessures graves.



L'employeur et/ou l'utilisateur doivent s'assurer du port d'une protection oculaire adéquate. L'équipement de protection oculaire doit être conforme aux normes ANSI Z87.1/CAN/CSA Z94.3 (de l'Institut National Américain des Normes), et offrir une protection à la fois frontale et latérale. **REMARQUE** : les lunettes de protection sans écrans latéraux et les masques de protection portés seuls, n'offrent pas une protection suffisante.



Des mesures de sécurité supplémentaire sont requises dans certains environnements. Par exemple, la zone de travail peut favoriser l'exposition à un niveau de bruit susceptible d'entraîner une surdité. L'employeur et l'utilisateur doivent s'assurer qu'une protection de l'ouïe sera utilisée par l'opérateur et les personnes présentes dans la zone de travail. Certains environnements exigeront l'utilisation d'un équipement de protection de la tête. Lorsque cela s'avère nécessaire, l'employeur et l'utilisateur doivent s'assurer que la protection de la tête est conforme à la norme ANSI CAN/CSA Z89.1.

La poussière produite par le sablage, le sciage, le meulage et le vissage avec des outils électriques et d'autres activités de construction renferme des produits chimiques reconnus par l'État de la Californie comme pouvant causer le cancer, des anomalies congénitales ou d'autres dommages aux fonctions reproductrices. Voici quelques exemples de ces produits chimiques :

- Le plomb contenu dans les peintures à base de plomb
- La silice cristallisée contenue dans les briques, le ciment et d'autres produits de maçonnerie
- L'arsenic et le chrome contenu dans le bois traité chimiquement

⚠ ATTENTION:

Les risques d'exposition varient selon la fréquence de ce genre de travaux. Pour réduire le risque d'exposition à ces produits chimiques : Travailler dans un endroit bien aéré et porter un équipement de protection adéquat comme des masques antipoussières conçus spécifiquement pour filtrer les particules microscopiques.

ALIMENTATION EN AIR COMPRIMÉ ET RACCORDEMENT

⚠ ATTENTION:

L'oxygène ou les gaz combustibles ne doivent en aucun cas être employés comme source d'énergie, sachant que l'outil peut exploser et provoquer des blessures.

⚠ ATTENTION:

N'utiliser en aucun cas des sources d'énergie à une pression dépassant 14 kg/cm² (13,8 bars), car l'outil peut éclater et causer des blessures.

⚠ ATTENTION:

L'appareil ne doit pas rester sous pression lorsqu'il est déconnecté de la source d'air. Si un mauvais raccord est utilisé, l'outil peut demeurer sous pression même après le désaccouplement, et de ce fait, peut éjecter un élément d'assemblage et causer des blessures.

⚠ ATTENTION:

Ne pas appuyer sur la détente ou abaisser le mécanisme de contact tant que l'outil est connecté à la source d'air, car celui-ci peut se déclencher et donc provoquer des blessures.

⚠ ATTENTION:

Toujours désaccoupler l'appareil de sa source d'énergie : 1) avant tout réglage; 2) lors de l'entretien; 3) lors d'un désenrayage; 4) à la fin de l'utilisation; 5) lors du déplacement vers une nouvelle zone de travail, car un déclenchement accidentel peut se produire et causer des blessures. 6.) Avant de placer l'outil sur une surface, de suspendre l'outil à votre ceinture ou d'interrompre d'une quelconque autre façon l'utilisation de l'outil.

CHARGEMENT DE L'APPAREIL

⚠ ATTENTION:

Lors du chargement de l'appareil : 1) Ne jamais placer la main ou toute autre partie du corps dans la direction de projection de l'élément d'assemblage de l'outil; 2) Ne jamais pointer l'outil vers quelqu'un; 3) Ne pas presser sur la détente ou appuyer sur le palpeur de surface, car un déclenchement accidentel peut se produire et causer des blessures.

FONCTIONNEMENT

⚠ ATTENTION:

Manipuler l'appareil avec précaution : 1) Ne pas jouer ou chahuter avec l'appareil; 2) Ne jamais appuyer sur la détente tant que le nez de l'appareil n'est pas dirigé vers la pièce à assembler; 3) Tenir les autres personnes à distance raisonnable de l'outil lors de l'utilisation de celui-ci, car un déclenchement accidentel peut se produire et causer des blessures.

⚠ ATTENTION:

Ne pas maintenir la détente pressée sur un outil possédant un mécanisme de contact, sauf pendant le travail d'assemblage, car un accident grave pourrait se produire si le palpeur de surface entre en contact avec un objet ou une personne et entraînerait le déclenchement de l'outil.

⚠ ATTENTION:

Lorsque l'appareil est connecté à la source d'énergie, éloigner les mains et le corps de l'orifice d'éjection. Un outil à mécanisme de contact peut «rebondir» après l'éjection d'un élément d'assemblage, et un second élément d'assemblage peut accidentellement être éjecté.

Vérifier régulièrement le mécanisme de contact. Ne pas utiliser un appareil dont le

ATTENTION: mécanisme de contact est inopérant, un accident peut en résulter. Ne pas changer le mode opératoire du mécanisme de contact.

ATTENTION: Ne pas enfoncer des attaches lorsque l'outil est trop penché ou par-dessus d'autres attaches car cela pourrait faire dévier ces dernières et entraîner des blessures.

ATTENTION: Ne pas enfoncer des attaches près du bord de la pièce car le bois pourrait se fendre et faire dévier les attaches, entraînant ainsi des blessures.

ATTENTION: Pendant son fonctionnement, cette cloueuse génère des ÉTINCELLES. NE JAMAIS utiliser la cloueuse près de substances, gaz ou vapeurs inflammables, y compris : laque, peinture, benzène, solvant, essence, adhésifs, mastics, colles ou tous autres produits qui sont, eux ou leurs vapeurs, brumes ou produits dérivés, inflammables, combustibles ou explosifs. L'utilisation de la cloueuse dans un tel environnement pourrait mener à une EXPLOSION pouvant causer des blessures ou le décès de l'utilisateur ou de personnes à proximité.

ENTRETIEN DE L'APPAREIL

ATTENTION: Lors de l'utilisation d'un outil fonctionnant sous-pression, lire les avertissements du manuel et user d'extrêmes précautions lors de la découverte d'un problème.

FICHE TECHNIQUE DE L'OUTIL

Toutes les mesures des vis et des boulons sont dans le système métrique.

MODÈLE	DÉCLENCHEMENT	LONGUEUR	HAUTEUR	LARGEUR	POIDS
BN200SB	Sequential Trip	9.25"	9.5"	2"	2.69 lbs.
FN250SB	Sequential Trip	11.25"	11.50"	3"	4.03 lbs.

CARACTÉRISTIQUES DES ÉLÉMENTS D'ASSEMBLAGE :

MODÈLE	GAMME D'ATTACHES	CALIBRE	TAILLE DES ATTACHES
BN200SB	PBN Series	18	15.2 mm - 50.8 mm (5/8" - 2")
FN250SB	PFN Series	16	25.4 mm - 63.5 mm (1" - 2-1/2")

RACCORDEMENTS À L'AIR :

Cet appareil utilise un raccord mâle à passage direct _ N.P.T. Son diamètre intérieur ne doit pas être inférieur à 5 mm. Lors du désaccouplement de la source d'air, le raccord mâle doit permettre rapidement la mise à l'atmosphère de toute pression résiduelle.

PRESSIION D'UTILISATION :

Cet appareil fonctionne sur une gamme de pression allant de 4,9 Kg/cm² (4,8 bars) à 7 Kg/cm² (6,9 bars). Régler la pression d'air jusqu'à obtenir le meilleur rendement possible. **NE PAS DÉPASSER LA PRESSIION MAXIMALE RECOMMANDÉE.**

OPÉRATION

DÉCLENCHEMENT AU COUP-PAR-COUP (S.T)

Cet outil est équipé d'une gâchette sélectionnable.

L'appareil au coup-par-coup requiert que l'opérateur maintienne l'outil en contact avec la surface de travail avant d'appuyer sur la détente. Il est ainsi plus facile de positionner les fixations lors, par exemple, de la pose de boiseries, de clouage en biais ou d'emballage en caisses. L'appareil au coup-par-coup permet un placement précis de l'élément d'assemblage sans le risque d'éjecter un deuxième élément par accident lors du recul, comme cela est le cas pour le dispositif à la volée. Le dispositif au coup-par-coup possède une sécurité supplémentaire puisque même si l'outil est en contact avec la surface de travail, ou tout autre chose, l'opérateur ne court pas le risque d'éjecter un deuxième élément même si la détente est pressée.

ALIMENTATION EN AIR COMPRIMÉ ET RACCORDEMENT

ATTENTION: L'oxygène, les gaz combustibles ou les bouteilles de gaz ne doivent en aucun cas être employés comme source d'énergie, car ils peuvent exploser et provoquer des blessures.

RACCORDEMENTS :

Installer le raccord mâle sur l'appareil. Lors du désaccouplement de la source d'énergie, le raccord mâle doit permettre rapidement la mise à l'atmosphère de toute pression résiduelle.

TUYAUX :

Les tuyaux d'air comprimé doivent résister à une pression d'utilisation minimale constante de 10,5 Kg/cm² (10,3 bars), ou 150% de la pression pouvant être produite pour l'installation. Le tuyau d'alimentation doit contenir un raccord permettant « un désaccouplement rapide » du raccord mâle de l'appareil.

ALIMENTATION EN AIR COMPRIMÉ :

Les appareils doivent être alimentés avec de l'air propre et sec. L'OXYGÈNE, LES GAZ COMBUSTIBLES OU LES BOUTEILLES DE GAZ NE DOIVENT EN AUCUN CAS ÊTRE EMPLOYÉS COMME SOURCE D'ÉNERGIE CAR ILS PEUVENT EXPLOSER.

RÉGULATEUR :

Un régulateur de pression fonctionnant à des pressions de 0 à 8,7 Kg/cm² (8,6 bars) est nécessaire pour contrôler la pression d'utilisation du cloueur. Ne pas accoupler cet appareil à un régulateur de pression pouvant excéder 14 Kg/cm² (13,8 bars) car l'outil pourrait se fracturer ou se rompre, et causer des blessures.

PRESSION D'UTILISATION :

Ne pas excéder une pression d'utilisation de 7,0 Kg/cm² (6,9 bars). La source d'alimentation en air doit être capable de maintenir la pression de fonctionnement au niveau. Une baisse de pression dans la source d'alimentation entraînera une baisse de la force d'éjection de l'outil. Voir la rubrique « caractéristiques de l'appareil » pour le réglage de la pression de fonctionnement adéquate.

FILTRE :

La principale cause d'usure des appareils pneumatiques est un air sale et humide. Un filtre est donc indispensable pour obtenir le meilleur rendement et une usure minimale du pistolet. Le filtre devra avoir une capacité de filtrage adéquate au volume d'air consommé par l'appareil. Le filtre doit être propre pour alimenter le pistolet en air comprimé propre. Consulter les instructions du fabricant concernant l'entretien du filtre. Un filtre sale ou bouché peut provoquer des baisses de pression et par voie de conséquence, une diminution du rendement de l'appareil.

LUBRIFICATION

Pour obtenir les meilleures performances de votre cloueur, il est indispensable de le lubrifier régulièrement, mais sans excès. Appliquer quelques gouttes d'huile au niveau du raccordement en air comprimé afin d'assurer la lubrification des éléments internes. Utiliser le lubrifiant pour outils pneumatiques Mobil Velocite n° 10 de PORTER CABLE ou un équivalent. Ne pas utiliser une huile détergente ou des additifs qui pourraient accélérer l'usure des joints toriques et des amortisseurs du cloueur et par conséquent entraîner une baisse du rendement et des réparations plus fréquentes.

Certains lubrificateurs peuvent également être placés directement sur le cloueur. Si un lubrificateur n'est pas installé, il est important d'injecter de l'huile dans le circuit d'air, une ou plusieurs fois par jour. Ne mettre que quelques gouttes à la fois. Une lubrification excessive entraînera une accumulation d'huile dans l'appareil et particulièrement au niveau de l'échappement.

UTILISATION PAR TEMPS FROID :

Lors de l'utilisation d'outils à des températures sous le point de congélation, il faut :

1. S'assurer que les réservoirs du compresseur ont été correctement purgés avant de les utiliser.
2. Tenir l'outil le plus possible au chaud avant l'utilisation.
3. S'assurer que toutes les agrafes ont été retirées du chargeur.
4. Abaisser la pression d'air à 5,1 bars (80 psi) ou moins.
5. Rebrancher la source d'alimentation en air et recharger les clous dans le chargeur.
6. Actionner l'outil 5 ou 6 fois sur un morceau de bois de construction pour lubrifier les joints toriques.
7. Remettre la pression à son niveau fonctionnel (ne pas excéder 8,3 bars [120 psi]) et utiliser l'outil normalement.
8. Toujours purger les réservoirs du compresseur au moins une fois par jour.

⚠ ATTENTION: Nous conseillons de ne pas stocker le cloueur dans un environnement froid sous peine de sérieux problèmes de fonctionnement.

⚠ ATTENTION: Ne pas utiliser d'huiles ou produits spéciaux, prévus pour d'autres emplois que la lubrification des matériels pneumatiques, ils risqueraient de détruire les garnitures et les joints toriques.

CHARGEMENT DES BN200SB

ATTENTION:



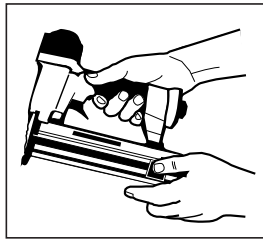
PROTECTION DES YEUX : Elle doit répondre aux spécifications ANSI et offrir une protection contre les particules projetées, à la fois **FRONTALE** et **LATÉRALE**. Cette protection devra **TOUJOURS** être portée par l'opérateur et les autres membres du personnel qui travaillent dans le lieu de chargement, de fonctionnement et d'entretien de l'appareil. La protection oculaire est exigée pour protéger contre la projection d'éléments d'assemblage et de débris, qui pourraient causer de sévères blessures aux yeux.

L'employeur et/ou l'utilisateur doivent s'assurer du port d'une protection oculaire adéquate. L'équipement de protection oculaire doit être conforme aux normes ANSI Z87.1/CAN/CSA Z94.3 (de l'Institut National Américain des Normes), et offrir une protection à la fois frontale et latérale. **REMARQUE :** les lunettes de protection sans écrans latéraux et les masques de protection portés seuls, n'offrent pas une protection suffisante.

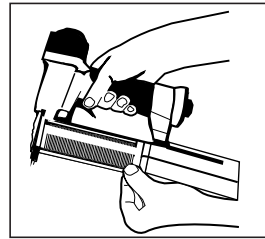
ATTENTION:

POUR PRÉVENIR UN ACCIDENT

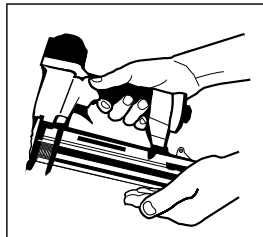
- Ne jamais placer la main ou toute autre partie du corps dans la zone d'éjection des clous lorsque l'outil est relié à la source d'air.
- Ne jamais pointer le cloueur vers quelqu'un.
- Ne jamais jouer avec l'outil.
- Ne jamais appuyer sur la détente si le nez n'est pas dirigé vers le plan de travail.
- Toujours manier l'outil avec précautions.
- Ne pas appuyer sur la détente ou presser sur l'élément palpeur lors du chargement de l'outil.



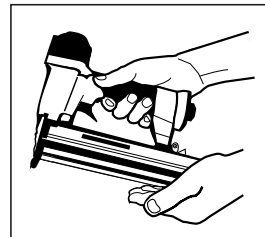
1. Désenclencher le système de verrouillage et tirer vers l'arrière pour ouvrir le magasin.



2. Le magasin étant complètement ouvert, insérer les éléments d'assemblage. Les pointes doivent se trouver contre le fond du magasin.



3. Pousser le magasin vers l'avant.



4. Pousser sur le magasin jusqu'à enclenchement du système de verrouillage.

CHARGEMENT DES FN250SB

⚠ ATTENTION:



PROTECTION DES YEUX : Elle doit répondre aux spécifications ANSI et offrir une protection contre les particules projetées, à la fois FRONTALE et LATÉRALE. Cette protection devra TOUJOURS être portée par l'opérateur et les autres membres du personnel qui travaillent dans le lieu de chargement, de fonctionnement et d'entretien de l'appareil. La protection oculaire est exigée pour protéger contre la projection d'éléments d'assemblage et de débris, qui pourraient causer de sévères blessures aux yeux.

L'employeur et/ou l'utilisateur doivent s'assurer du port d'une protection oculaire adéquate. L'équipement de protection oculaire doit être conforme aux normes ANSI Z87.1/CAN/CSA Z94.3 (de l'Institut National Américain des Normes), et offrir une protection à la fois frontale et latérale. REMARQUE : les lunettes de protection sans écrans latéraux et les masques de protection portés seuls, n'offrent pas une protection suffisante.

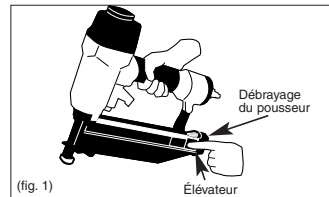
⚠ ATTENTION:

POUR PRÉVENIR UN ACCIDENT

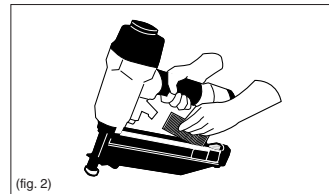
- Ne jamais placer la main ou toute autre partie du corps dans la zone d'éjection des clous lorsque l'outil est relié à la source d'air.
- Ne jamais pointer le cloueur vers quelqu'un.
- Ne jamais jouer avec l'outil.
- Ne jamais appuyer sur la détente si le nez n'est pas dirigé vers le plan de travail.
- Toujours manier l'outil avec précautions.
- Ne pas appuyer sur la détente ou presser sur l'élément palpeur lors du chargement de l'outil.

1. CHARGEMENT DES CLOUS :

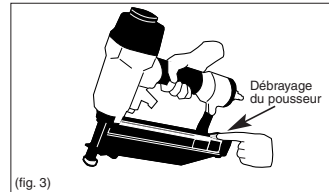
Tirer l'élévateur vers l'arrière jusqu'à enclenchement (fig. 1)



Insérer les clous dans les rails du magasin (fig. 2)



Appuyer sur le débrayage du pousseeur pour désenclencher l'élévateur (fig. 3)



FONCTIONNEMENT DE L'OUTIL

⚠ ATTENTION:



PROTECTION DES YEUX : Elle doit répondre aux spécifications ANSI et offrir une protection contre les particules projetées, à la fois FRONTALE et LATÉRALE. Cette protection devra TOUJOURS être portée par l'opérateur et les autres membres du personnel qui travaillent dans le lieu de chargement, de fonctionnement et d'entretien de l'appareil. La protection oculaire est exigée pour protéger contre la projection d'éléments d'assemblage et de débris, qui pourraient causer de sévères blessures aux yeux.

L'employeur et/ou l'utilisateur doivent s'assurer du port d'une protection oculaire adéquate. L'équipement de protection oculaire doit être conforme aux normes ANSI Z87.1/CAN/CSA Z94.3 (de l'Institut National Américain des Normes), et offrir une protection à la fois frontale et latérale. REMARQUE : les lunettes de protection sans écrans latéraux et les masques de protection portés seuls, n'offrent pas une protection suffisante.

AVANT DE MANIPULER OU D'UTILISER CET OUTIL :

- I. LIRE ET COMPRENDRE LES AVERTISSEMENTS CONTENUS DANS CE MANUEL.
- II. SE RÉFÉRER À LA RUBRIQUE « CARACTÉRISTIQUES DE L'APPAREIL » DU MANUEL AFIN D'IDENTIFIER LE MODE D'UTILISATION DE VOTRE OUTIL.

OPÉRATION

DÉCLENCHEMENT AU COUP-PAR-COUP :

Cet outil est équipé d'une gâchette sélectionnable.

Le modèle à DÉCLENCHEMENT AU COUP-PAR-COUP contient un palpeur qui fonctionne en corrélation avec la détente pour éjecter un élément d'assemblage. Pour utiliser un outil à déclenchement au coup-par-coup, vous devez d'abord mettre le palpeur en contact avec la surface de travail SANS APPUYER SUR LA DÉTENTE. Presser le palpeur puis appuyer sur la détente pour éjecter un élément d'assemblage. Aussi longtemps que le palpeur est maintenu pressé contre la surface de travail, l'outil expulsera un élément d'assemblage chaque fois que l'on appuie sur la détente. Si le palpeur n'est plus en contact avec la surface de travail, les étapes ci-dessus doivent être répétées pour pouvoir éjecter un nouvel élément.

Le modèle à déclenchement au coup-par-coup procure un élément de sécurité supplémentaire puisqu'on ne peut éjecter accidentellement un élément d'assemblage même si le nez du pistolet se trouve à nouveau en contact avec la surface de travail ou tout autre chose, lorsque le doigt est sur la détente.

VÉRIFICATION DU FONCTIONNEMENT DE L'OUTIL

⚠ ATTENTION:

Retirer toutes les attaches de fixation de l'outil avant de procéder à une vérification du fonctionnement de celui-ci.

SYSTÈME DE SÉCURITÉ AU COUP-PAR-COUP:

- A. Appuyer l'élément palpeur sur la surface de travail sans actionner la détente.

L'APPAREIL NE DOIT PAS SE DÉCLENCHER

- B. Éloigner l'appareil de la surface de travail et actionner la détente.

L'APPAREIL NE DOIT PAS SE DÉCLENCHER

Relâcher la détente; elle doit revenir à sa position initiale.

- C. Appuyer sur la détente, et appuyer l'élément palpeur sur la surface de travail.

L'APPAREIL NE DOIT PAS SE DÉCLENCHER

- D. Détente libre, appuyer l'élément palpeur sur la surface de travail. Actionner la détente.

L'APPAREIL DOIT SE DÉCLENCHER

EN SUPPLÉMENT DES AUTRES AVERTISSEMENTS CONTENUS DANS CE MANUEL, OBSERVEZ LES RÈGLES SUIVANTES POUR OPÉRER EN TOUTE SÉCURITÉ

- Utiliser cet outil pneumatique PORTER CABLE uniquement pour éjecter des éléments d'assemblage.
- Ne jamais utiliser l'outil de telle manière qu'un élément d'assemblage peut être dirigé vers vous-même ou vers d'autres personnes présentes dans la zone de travail.

- Ne pas utiliser l'outil comme un marteau
- Porter toujours l'outil par la poignée, jamais par le nez.
- Ne pas altérer ou modifier cet outil par rapport à sa forme originale sans l'agrément de PORTER CABLE, INC.
- Toujours avoir présent à l'esprit qu'une manipulation ou une utilisation inadéquate de cet outil peuvent causer des blessures.
- Ne jamais attacher ou maintenir la détente en position déchenchée.
- Ne jamais laisser le cloueur connecté au tuyau d'air sans surveillance.
- Ne pas utiliser cet outil s'il n'est pas pourvu d'une ÉTIQUETTE D'AVERTISSEMENT (WARNING LABEL) lisible.
- Cesser d'utiliser un outil qui perd de l'air ou ne fonctionne pas correctement. Notifier votre concessionnaire Porter cable si votre outil continue à mal fonctionner.

ENTRETIEN DE L'OUTIL PNEUMATIQUE

ATTENTION: Lors de l'utilisation d'un outil fonctionnant sous-pression, lire les avertissements du manuel et user d'extrêmes précautions lors de la découverte d'un problème.

ATTENTION: Ressort-poussoir (ressort à poussée constante). Il est recommandé d'user de prudence lors de la manipulation du système du ressort. Le ressort est enroulé autour du rouleau mais n'y est pas attaché. Si le ressort est tiré au delà de sa longueur d'extension, l'extrémité se détachera du rouleau et reviendra à sa longueur première, risquant ainsi de vous pincer les doigts. Les bords du ressort sont très fins et risquent de couper. Il faut aussi vérifier qu'il n'existe pas de torsion du ressort, celles-ci pouvant diminuer la force du ressort.

PIÈCES DE RECHANGE :

Il est recommandé d'utiliser uniquement les pièces de rechange Porter cable. Ne pas utiliser de pièces modifiées, ou autres pièces dont les performances ne seraient pas équivalentes aux pièces d'origine.

PROCÉDURE D'ASSEMBLAGE DES GARNITURES :

Lors des réparations, vérifier que les pièces internes sont propres et bien lubrifiées. Appliquer du lubrifiant "O" LUBE de Parker sur tous les joints toriques, avant de procéder à l'assemblage. Appliquer une fine pellicule de "O" LUBE sur toutes les pièces mobiles et pivots. Les opérations de remontage terminées, veiller à mettre quelques gouttes de lubrifiant pour outils pneumatiques PORTER CABLE dans le circuit d'air avant de procéder aux essais.

ALIMENTATION D'AIR - PRESSION - VOLUME :

Le volume d'air est aussi important que la pression. Le volume d'air nécessaire au bon fonctionnement de l'appareil peut être perturbé par des tuyaux et des raccords sous dimensionnés, ou par la présence d'eau dans le circuit d'air. Même si la pression d'air lue au manomètre est correcte, les diminutions du volume d'air se traduiront par une perte de puissance de l'appareil, une diminution de la vitesse ou une alimentation inadéquate. Avant de rechercher la cause de ces symptômes, vérifier les raccords et les tuyaux depuis l'outil jusqu'à la source d'énergie et vérifier qu'il n'existe pas de raccords trop serrés, tordus, des niveaux bas contenant de l'eau, ou tout autre cause qui puisse expliquer une diminution du volume d'air vers l'appareil.

RÉGLAGE DE LA PROFONDEUR

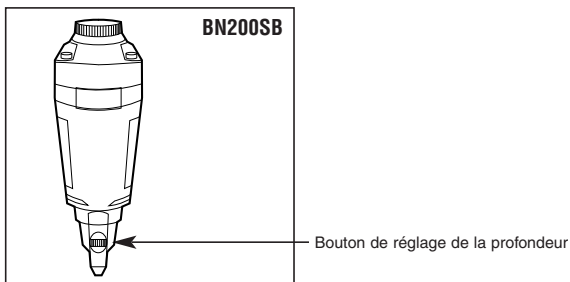
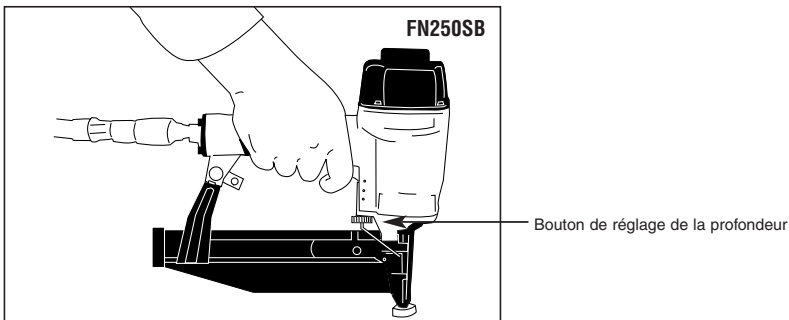
ATTENTION: Toujours désaccoupler l'appareil de sa source d'énergie : 1) avant tout réglage; 2) lors de l'entretien; 3) lors du désenrayage; 4) à la fin de l'utilisation; 5) lors du déplacement vers une nouvelle zone de travail, car un déclenchement accidentel peut se produire et causer des blessures.

COMMANDE DE RÉGLAGE POUR LES MODÈLES BN200SB, FN250SB

La commande de réglage permet un contrôle étroit de la profondeur d'enfoncement de l'élément d'assemblage allant de l'enfoncement à fleur de la surface de travail à un fraisage profond. Régler tout d'abord la pression de l'air pour obtenir un fraisage régulier pour l'application en question, puis utiliser la commande de réglage de l'élément d'assemblage pour obtenir la profondeur d'enfoncement désiré.

POUR RÉGLER LA COMMANDE DE RÉGLAGE DE L'ÉLÉMENT D'ASSEMBLAGE:

1. Une fois le réglage de pression d'air effectué, enfoncer quelques éléments d'assemblage dans un échantillon du matériau choisi pour déterminer si un ajustement est nécessaire.
2. Si un ajustement est requis, débrancher le raccord de l'air.



DÉPANNAGE

PROBLÈME	CAUSE	CORRECTION
Fuite d'air au corps de valve de détente.	Joint toriques coupés ou usés.	Remplacer les joints toriques.
Fuite d'air à la tige de valve de détente.	Joint toriques ou garnitures coupés ou usés.	Remplacer joints toriques /garnitures.
Fuite d'air entre le corps et le nez.	Vis du nez desserrées.	Resserrer les vis
	Joint toriques ou garniture coupés ou usés.	Remplacer les joints toriques.
	Amortisseur coupé ou usé.	Remplacer l'amortisseur.
Fuite d'air entre le chapeau et le corps.	Garniture coupée.	Remplacer la garniture.
	Amortisseur de tête coupé ou usé.	Remplacer l'amortisseur.
	Vis de chapeau desserrées.	Resserrer les vis.
Cycle incomplet	Pertes de charges dans le circuit d'air.	Vérifier le circuit d'air
	Appareil sec, absence de lubrification.	Utiliser un lubrifiant PORTER CABLE
	Joint toriques de la valve de tête coupés ou usés.	Remplacer les joints toriques.
	Ressort du chapeau de cylindre cassé.	Remplacer le ressort.
	Valve de tête forcée dans le chapeau.	Démonter (vérifier) lubrifier.
Perte de puissance	Appareil sec, absence de lubrification.	Utiliser un lubrifiant PORTER CABLE
Fonctionnement ralenti	Ressort du chapeau de cylindre cassé.	Remplacer le ressort.
	Joint toriques ou garnitures coupés ou usés.	Remplacer les joints toriques/garnitures.
	Échappement bloqué	Vérifier l'amortisseur et le ressort de valve de tête.
	Système détente usé ou ayant une fuite.	Remplacer le système de détente.
	Particules obstruant le canal de l'enfonceur.	Démonter le nez/enfonceur et nettoyer.
	L'extrémité du cylindre n'est pas positionnée correctement sur l'amortisseur inférieur.	Démonter et réinstaller.
	Valve de tête sèche.	Démonter et lubrifier
	Pression d'air trop faible.	Vérifier le circuit d'air.
Éléments d'assemblage manquants	Amortisseur usé.	Remplacer l'amortisseur.
Alimentation Intermittente	Particules obstruant le canal de l'enfonceur.	Démonter le nez/enfonceur et nettoyer.
	Pertes de charges dans les raccords rapides du circuit d'air.	Remplacer les raccords rapides du circuit.
	Joint du piston usé.	Remplacer le joint, vérifier l'enfonceur.
	Appareil sec, absence de lubrification.	Utiliser un lubrifiant PORTER CABLE
	Ressort du poussoir endommagé.	Remplacer le ressort.
	Pression d'air trop faible.	Vérifier le circuit/régler la pression d'air.
	Vis du magasin desserrées.	Resserrer les vis.
	Éléments d'assemblage trop courts	Utiliser les éléments d'assemblage recommandés.
	Éléments d'assemblage tordus	Cesser l'utilisation de ces éléments
	Taille incorrecte des éléments d'assemblage	Utiliser les éléments d'assemblage recommandés.
	Fuite à la garniture du chapeau de tête.	Resserrer les vis/remplacer la garniture.
	Joint toriques de la valve de détente coupés ou usés.	Remplacer les joints toriques.
	Enfonceur usé ou cassé.	Remplacer l'enfonceur/vérifier le joint de piston.
	Magasin sec ou encrassé.	Nettoyer et lubrifier le magasin avec un lubrifiant PORTER CABLE
	Magasin usé.	Remplacer le magasin
Les éléments d'assemblage se coincent dans l'appareil	Canal de l'enfonceur usé.	Remplacer le nez/vérifier la porte.
	Taille incorrecte des éléments d'assemblage.	Utiliser les éléments d'assemblage recommandés.
	Éléments d'assemblage tordus	Cesser d'utiliser ces éléments
	Vis du nez/magasin desserrées.	Resserrer les vis.
	Enfonceur usé ou cassé.	Remplacer l'enfonceur.

Free Manuals Download Website

<http://myh66.com>

<http://usermanuals.us>

<http://www.somanuals.com>

<http://www.4manuals.cc>

<http://www.manual-lib.com>

<http://www.404manual.com>

<http://www.luxmanual.com>

<http://aubethermostatmanual.com>

Golf course search by state

<http://golfingnear.com>

Email search by domain

<http://emailbydomain.com>

Auto manuals search

<http://auto.somanuals.com>

TV manuals search

<http://tv.somanuals.com>