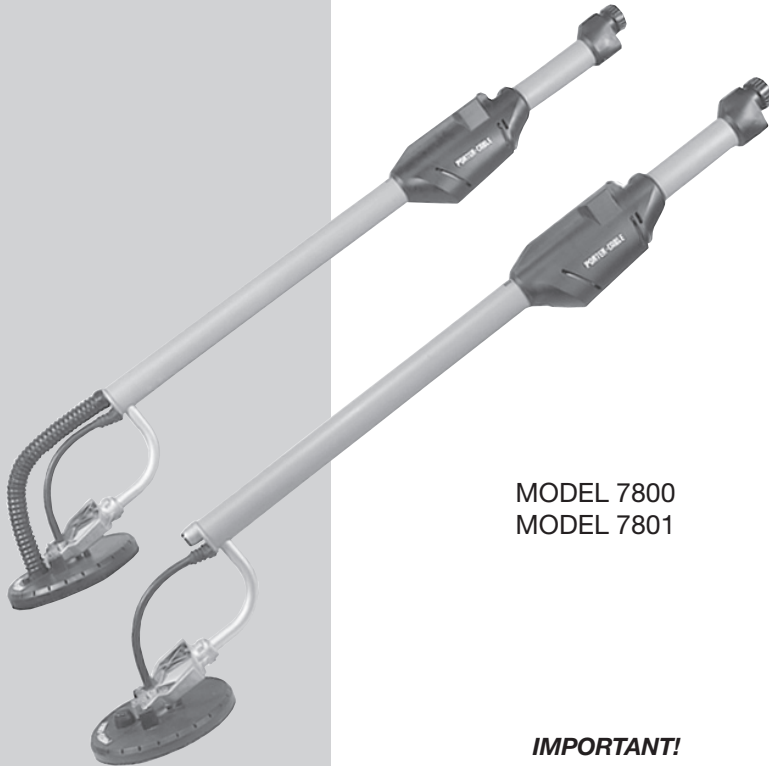


FRANÇAISE : PAGE 17
ESPAÑOL: PÁGINA 35

Instruction manual

Drywall Sander



MODEL 7800
MODEL 7801

To learn more about PORTER-CABLE
visit our website at:

<http://www.deltaportercable.com>

PORTER-CABLE®

Copyright © 2001, 2002, 2005, 2006
2007, 2008 PORTER-CABLE

IMPORTANT!

Please make certain that the person who is to use this equipment carefully reads and understands these instructions before starting operations.

The Model and Serial No. plate is located on the main housing of the tool. Record these numbers in the spaces below and retain for future reference.

Model No. _____

Type _____

Serial No. _____

Part No. N020227 12-02-08 _Rev.A

TABLE OF CONTENTS

IMPORTANT SAFETY INSTRUCTIONS.....	2
SAFETY GUIDELINES.....	3
GENERAL SAFETY RULES	4
ADDITIONAL SPECIFIC SAFETY RULES	6
CARTON CONTENTS	8
FUNCTIONAL DESCRIPTION	9
ASSEMBLY	10
OPERATION	10
TROUBLESHOOTING	14
MAINTENANCE.....	14
SERVICE	15
ACCESSORIES	15
WARRANTY.....	16
FRANÇAIS.....	17
ESPAÑOL.....	35

IMPORTANT SAFETY INSTRUCTIONS

⚠ WARNING: Read all warnings and operating instructions before using any tool or equipment. When using tools or equipment, basic safety precautions should always be followed to reduce the risk of personal injury. Improper operation, maintenance or modification of tools or equipment could result in serious injury and property damage. There are certain applications for which tools and equipment are designed. PORTER-CABLE strongly recommends that this product NOT be modified and/or used for any application other than for which it was designed.

If you have any questions relative to its application, DO NOT use the product until you have written PORTER-CABLE and we have advised you.

Online, contact us at: www.deltaportercable.com

By mail, contact us at: Technical Service Manager
PORTER-CABLE
4825 Highway 45 North
Jackson, TN 38305

INFORMATION REGARDING SAFE AND PROPER OPERATION IS AVAILABLE FROM:

The Power Tool Institute

1300 Sumner Avenue, Cleveland, OH 44115-2851
www.powertoolinstitute.org

National Safety Council

1121 Spring Lake Drive
Itasca, IL 60143-3201

American National Standards Institute

25 West 43rd Street, 4 floor
New York, NY 10036 www.ansi.org
ANSI O1.1 Safety Requirements for Woodworking Machines

The U.S. Department of Labor regulations
www.osha.gov

SAFETY GUIDELINES - DEFINITIONS

It is important for you to read and understand this manual. The information it contains relates to protecting YOUR SAFETY and PREVENTING PROBLEMS. The symbols below are used to help you recognize this information.



⚠ DANGER: indicates an imminently hazardous situation which, if not avoided, **will** result in **death or serious injury**.

⚠ WARNING: indicates a potentially hazardous situation which, if not avoided, **could** result in **death or serious injury**.

⚠ CAUTION: indicates a potentially hazardous situation which, if not avoided, **may** result in **minor or moderate injury**.

CAUTION: used without the safety alert symbol indicates potentially hazardous situation which, if not avoided, **may** result in **property damage**.

GENERAL SAFETY RULES



⚠ WARNING: To reduce the risk of injury, read the instruction manual.

GENERAL POWER TOOL SAFETY WARNINGS

⚠ WARNING: Read all safety warnings and instructions. Failure to follow the warnings and instructions may result in electric shock, fire and/or serious injury.

SAVE ALL WARNINGS AND INSTRUCTIONS FOR FUTURE REFERENCE

The term “power tool” in the warnings refers to your mains-operated (corded) power tool or battery-operated (cordless) power tool.

1) WORK AREA SAFETY

- a) **Keep work area clean and well lit.** Cluttered or dark areas invite accidents.
- b) **Do not operate power tools in explosive atmospheres, such as in the presence of flammable liquids, gases or dust.** Power tools create sparks which may ignite the dust or fumes.
- c) **Keep children and bystanders away while operating a power tool.** Distractions can cause you to lose control.

2) ELECTRICAL SAFETY

- a) **Power tool plugs must match the outlet. Never modify the plug in any way. Do not use any adapter plugs with earthed (grounded) power tools.** Unmodified plugs and matching outlets will reduce risk of electric shock.
- b) **Avoid body contact with earthed or grounded surfaces such as pipes, radiators, ranges and refrigerators.** There is an increased risk of electric shock if your body is earthed or grounded.
- c) **Do not expose power tools to rain or wet conditions.** Water entering a power tool will increase the risk of electric shock.
- d) **Do not abuse the cord. Never use the cord for carrying, pulling or unplugging the power tool. Keep cord away from heat, oil, sharp edges or moving parts.** Damaged or entangled cords increase the risk of electric shock.
- e) **When operating a power tool outdoors, use an extension cord suitable for outdoor use.** Use of a cord suitable for outdoor use reduces the risk of electric shock.
- f) **If operating a power tool in a damp location is unavoidable, use a ground fault circuit interrupter (GFCI) protected supply.** Use of a GFCI reduces the risk of electric shock.

3) PERSONAL SAFETY

- a) **Stay alert, watch what you are doing and use common sense when operating a power tool. Do not use a power tool while you are tired or under the influence of drugs, alcohol or medication.** A moment of inattention while operating power tools may result in serious personal injury.
- b) **Use personal protective equipment. Always wear eye protection.** Protective equipment such as dust mask, non-skid safety shoes, hard hat, or hearing protection used for appropriate conditions will reduce personal injuries.
- c) **Prevent unintentional starting. Ensure the switch is in the off position before connecting to power source and/or battery pack, picking up or**

GENERAL SAFETY RULES continued

carrying the tool. Carrying power tools with your finger on the switch or energising power tools that have the switch on invites accidents.

- d) Remove any adjusting key or wrench before turning the power tool on.** A wrench or a key left attached to a rotating part of the power tool may result in personal injury.
- e) Do not overreach. Keep proper footing and balance at all times.** This enables better control of the power tool in unexpected situations.
- f) Dress properly. Do not wear loose clothing or jewellery. Keep your hair, clothing and gloves away from moving parts.** Loose clothes, jewellery or long hair can be caught in moving parts.
- g) If devices are provided for the connection of dust extraction and collection facilities, ensure these are connected and properly used.** Use of dust collection can reduce dust-related hazards.

4) POWER TOOL USE AND CARE

- a) Do not force the power tool. Use the correct power tool for your application.** The correct power tool will do the job better and safer at the rate for which it was designed.
- b) Do not use the power tool if the switch does not turn it on and off.** Any power tool that cannot be controlled with the switch is dangerous and must be repaired.
- c) Disconnect the plug from the power source and/or the battery pack from the power tool before making any adjustments, changing accessories, or storing power tools.** Such preventive safety measures reduce the risk of starting the power tool accidentally.
- d) Store idle power tools out of the reach of children and do not allow persons unfamiliar with the power tool or these instructions to operate the power tool.** Power tools are dangerous in the hands of untrained users.
- e) Maintain power tools. Check for misalignment or binding of moving parts, breakage of parts and any other condition that may affect the power tool's operation. If damaged, have the power tool repaired before use.** Many accidents are caused by poorly maintained power tools.
- f) Keep cutting tools sharp and clean.** Properly maintained cutting tools with sharp cutting edges are less likely to bind and are easier to control.
- g) Use the power tool, accessories and tool bits etc., in accordance with these instructions taking into account the working conditions and the work to be performed.** Use of the power tool for operations different from those intended could result in a hazardous situation.

5) SERVICE

- a) Have your power tool serviced by a qualified repair person using only identical replacement parts.** This will ensure that the safety of the power tool is maintained.

ADDITIONAL SPECIFIC SAFETY RULES

SAFETY WARNINGS COMMON FOR GRINDING, SANDING, WIRE BRUSHING, POLISHING OR ABRASIVE CUTTING-OFF OPERATIONS:

- a) **This power tool is intended to function as a sander.** Read all safety warnings, instructions, illustrations and specifications provided with this power tool. Failure to follow all instructions listed below may result in electric shock, fire and/or serious injury.
- b) **Operations such as polishing, grinding, wire brushing or cutting-off are not recommended to be performed with this power tool.** Operations for which the power tool was not designed may create a hazard and cause personal injury.
- c) **Do not use accessories which are not specifically designed and recommended by the tool manufacturer.** Just because the accessory can be attached to your power tool, it does not assure safe operation.
- d) **The rated speed of the accessory must be at least equal to the maximum speed marked on the power tool.** Accessories running faster than their RATED SPEED can break and fly apart.
- e) **The outside diameter and the thickness of your accessory must be within the capacity rating of your power tool.** Incorrectly sized accessories cannot be adequately guarded or controlled.
- f) **The arbor size of wheels, flanges, backing pads or any other accessory must properly fit the spindle of the power tool.** Accessories with arbor holes that do not match the mounting hardware of the power tool will run out of balance, vibrate excessively and may cause loss of control.
- g) **Do not use a damaged accessory.** Before each use inspect the accessory such as abrasive wheels for chips and cracks, backing pad for cracks, tear or excess wear, wire brush for loose or cracked wires. If power tool or accessory is dropped, inspect for damage or install an undamaged accessory. After inspecting and installing an accessory, position yourself and bystanders away from the plane of the rotating accessory and run the power tool at maximum no-load speed for one minute. Damaged accessories will normally break apart during this test time.
- h) **Wear personal protective equipment.** Depending on application, use face shield, safety goggles or safety glasses. As appropriate, wear dust mask, hearing protectors, gloves and workshop apron capable of stopping small abrasive or workpiece fragments. The eye protection must be capable of stopping flying debris generated by various operations. The dust mask or respirator must be capable of filtering particles generated by your operation. Prolonged exposure to high intensity noise may cause hearing loss.
- i) **Keep bystanders a safe distance away from work area.** Anyone entering the work area must wear personal protective equipment. Fragments of workpiece or of a broken accessory may fly away and cause injury beyond immediate area of operation.
- j) **Hold power tool by insulated gripping surfaces only, when performing an operation where the cutting accessory may contact hidden wiring or its own cord.** Cutting accessory contacting a "live" wire may make exposed metal parts of the power tool "live" and shock the operator.
- k) **Position the cord clear of the spinning accessory.** If you lose control, the cord may be cut or snagged and your hand or arm may be pulled into the spinning accessory.
- l) **Never lay the power tool down until the accessory has come to a complete stop.** The spinning accessory may grab the surface and pull the power tool out of your control.
- m) **Do not run the power tool while carrying it at your side.** Accidental contact with the spinning accessory could snag your clothing, pulling the accessory into your body.
- n) **Regularly clean the power tool's air vents.** The motor's fan will draw the dust inside the housing and excessive accumulation of powdered metal may cause electrical hazards.
- o) **Do not operate the power tool near flammable materials.** Sparks could ignite these materials.

- p) **Do not use accessories that require liquid coolants.** Using water or other liquid coolants may result in electrocution or shock.

KICKBACK AND RELATED WARNINGS

Kickback is a sudden reaction to a pinched or snagged rotating wheel, backing pad, brush or any other accessory. Pinching or snagging causes rapid stalling of the rotating accessory which in turn causes the uncontrolled power tool to be forced in the direction opposite of the accessory's rotation at the point of the binding.

For example, if a backing pad is snagged or pinched by the workpiece, the edge of the pad that is entering into the pinch point can dig into the surface of the material causing the wheel to climb out or kick out. The wheel may either jump toward or away from the operator, depending on direction of the wheel's movement at the point of pinching.

Kickback is the result of power tool misuse and/or incorrect operating procedures or conditions and can be avoided by taking proper precautions as given below.

- Maintain a firm grip on the power tool and position your body and arm to allow you to resist kickback forces.** Always use auxiliary handle, if provided, for maximum control over kickback or torque reaction during start-up. The operator can control torque reactions or kickback forces, if proper precautions are taken.
- Never place your hand near the rotating accessory.** Accessory may kickback over your hand.
- Do not position your body in the area where power tool will move if kickback occurs.** Kickback will propel the tool in direction opposite to the wheel's movement at the point of snagging.
- Use special care when working corners, sharp edges etc.** Avoid bouncing and snagging the accessory. Corners, sharp edges or bouncing have a tendency to snag the rotating accessory and cause loss of control or kickback.
- Do not attach a saw chain woodcarving blade or toothed saw blade.** Such blades create frequent kickback and loss of control.

SAFETY WARNINGS SPECIFIC FOR SANDING OPERATIONS:

- Do not use excessively oversized sanding disc paper.** Follow manufacturer's recommendations when selecting sanding paper. Larger sanding paper extending beyond the sanding pad presents a laceration hazard and may cause snagging, tearing of the disc or kickback.

EXTENSION CORD

An extension cord must have adequate wire size (AWG or American Wire Gauge) for safety. The smaller the gauge number of the wire, the greater the capacity of the cable, that is 16 gauge has more capacity than 18 gauge. An under-sized cord will cause a drop in line voltage resulting in loss of power and overheating. When using more than one extension to make up the total length, be sure each individual extension contains at least the minimum wire size. The following table shows the correct size to use depending on cord length and nameplate ampere rating. If in doubt, use the next heavier gauge. The smaller the gauge number, the heavier the cord.

Minimum Gauge for Cord Sets						
Ampere Rating		Volts	Total Length of Cord in Feet (meters)			
		120V	25 (7.6)	50 (15.2)	100 (30.5)	150 (45.7)
		240V	50 (15.2)	100 (30.5)	200 (61.0)	300 (91.4)
More Than	Not More Than	AWG				
0	6		18	16	16	14
6	10		18	16	14	12
10	12		16	16	14	12
12	16		14	12	Not Recommended	

▲ WARNING: Some dust created by power sanding, sawing, grinding, drilling, and other construction activities contains chemicals known to the State of California to cause cancer, birth defects or other reproductive harm. Some examples of these chemicals are:

- lead from lead-based paint.
- crystalline silica from bricks and cement and other masonry products.
- arsenic and chromium from chemically-treated lumber (CCA).

Your risk from exposure to these chemicals varies, depending on how often you do this type of work. To reduce your exposure to these chemicals: work in a well ventilated area with approved safety equipment, such as dust masks that are specially designed to filter out microscopic particles.

▲ WARNING: Avoid prolonged contact with dust from power sanding, sawing, grinding, drilling, and other construction activities. Wear protective clothing and wash exposed areas with soap and water. Allowing dust to get into your mouth, eyes, or lay on the skin may promote absorption of harmful chemicals.

▲ WARNING: Use of this tool can generate and/or disburse dust, which may cause serious and permanent respiratory damage or other injury. Always use NIOSH/OSHA/MSHA approved respiratory protection appropriate for the dust exposure. Direct particles away from face and body.

▲ WARNING: ALWAYS wear proper personal hearing protection that conforms to ANSI S12.6 (S3.19) during use. Under some conditions and duration of use, noise from this product may contribute to hearing loss.

▲ WARNING: ALWAYS USE SAFETY GLASSES. (ANSI Z87.1) and (CAN/CSA Z94.3) Everyday eyeglasses are NOT safety glasses. Also use face or dust mask if cutting operation is dusty. ALWAYS WEAR CERTIFIED SAFETY EQUIPMENT:

- ANSI Z87.1 eye protection (CAN/CSA Z94.3)
- ANSI S12.6 (S3.19) hearing protection
- NIOSH/OSHA/MSHA respiratory protection

SYMBOLS

The label on your tool may include the following symbols. The symbols and their definitions are as follows:

V..... volts	A..... amperes
Hz hertz	W..... watts
min..... minutes	~ alternating current
== direct current	≈ alternating or direct current
⚠..... Class I Construction (grounded)	n ₀ no load speed
□ Class II Construction (double insulated)	⊖ earthing terminal
.../min per minute	▲ safety alert symbol
OPM orbits per minute	BPM beats per minute
	RPM revolutions per minute

MOTOR

Be sure your power supply agrees with nameplate marking. 120 Volts AC means your tool will operate on alternating current. As little as 10% lower voltage can cause loss of power and can result in overheating. All PORTER-CABLE tools are factory-tested; if this tool does not operate, check the power supply.

▲ WARNING: Accessories must be rated for at least the speed recommended on the tool warning label. Accessories running over rated speed can fly apart and cause injury. Accessory ratings must always be above tool speed as shown on tool nameplate.

▲ WARNING: To reduce the risk of injury, turn unit off and disconnect it from power source before installing and removing accessories, before adjusting or when making repairs. An accidental start-up can cause injury.

SAVE THESE INSTRUCTIONS

ADDITIONAL SAFETY RULES FOR PAINT REMOVAL

1. Sanding of lead based paint is **NOT RECOMMENDED** due to the difficulty of controlling the contaminated dust. The greatest danger of lead poisoning is to children and pregnant women.
2. Since it is difficult to identify whether or not a paint contains lead without a chemical analysis, we recommend the following precautions when sanding any paint:

PERSONAL SAFETY

1. No children or pregnant women should enter the work area where the paint sanding is being done until all clean up is completed.
2. A dust mask or respirator should be worn by all persons entering the work area. The filter should be replaced daily or whenever the wearer has difficulty breathing. See your local hardware store for the proper NIOSH approved dust mask.
3. **NO EATING, DRINKING or SMOKING** should be done in the work area to prevent ingesting contaminated paint particles. Workers should wash and clean up **BEFORE** eating, drinking or smoking. Articles of food, drink, or smoking should not be left in the work area where dust would settle on them.

ENVIRONMENTAL SAFETY

1. Paint should be removed in such a manner as to minimize the amount of dust generated.
2. Areas where paint removal is occurring should be sealed with plastic sheeting of 4 mil thickness.
3. Sanding should be done in a manner to reduce tracking of paint dust outside the work area.

CLEANING AND DISPOSAL

1. All surfaces in the work area should be vacuumed and thoroughly cleaned daily for the duration of the sanding project. Vacuum filter bags should be changed frequently.
2. Plastic drop cloths should be gathered up and disposed of along with any dust chips or other removal debris. They should be placed in sealed refuse receptacles and disposed of through regular trash pick-up procedures. During clean up, children and pregnant women should be kept away from the immediate work area.
3. All toys, washable furniture and utensils used by children should be washed thoroughly before being used again.

SAVE THESE INSTRUCTIONS!

CARTON CONTENTS

Drywall Sander
Instruction Manual

FUNCTIONAL DESCRIPTION

FOREWORD

The PORTER-CABLE Drywall Sander is designed for sanding walls and ceilings made of drywall or plaster. The Sander provides a superior finish, and is faster than conventional finishing methods for both new construction and renovation work. Clean-up time for **Model 7800** is minimized by the use of an external vacuum cleaner attached to the sander.

ASSEMBLY

NOTE: This tool is shipped completely assembled. No assembly time or tools are required.

ABRASIVE DISC SELECTION

An abrasive disc is already included with the Drywall Sander. For details on the type of grit, refer to the packaging. Higher grit number corresponds to a smoother finish.

▲ CAUTION: Do not attempt to use any abrasives other than those recommended by PORTER-CABLE.

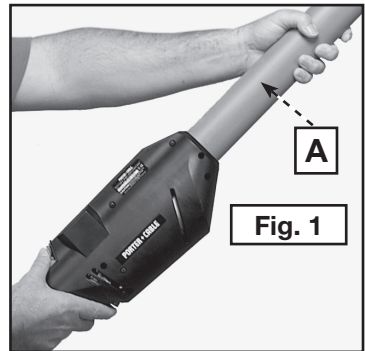
OPERATION

▲ WARNING: To reduce the risk of serious personal injury, turn tool off and disconnect tool from power source before installing and removing accessories, before adjusting or changing set-ups or when making repairs. An accidental start-up can cause injury.

HOW TO HOLD A DRYWALL SANDER

Hold the sander with both hands on the main tube (A) Fig. 1. Position your hands anywhere along the main tube to provide the best combination of reach and leverage.

▲ CAUTION: To reduce the risk of personal injury, keep your hands on the main tube (A) Fig. 1. Keep away from the sanding head area. The sanding head swivels in multiple directions and can pinch your hand.



CONNECTING THE SANDER TO YOUR SHOP VAC

Furnished with the Drywall Sander are:

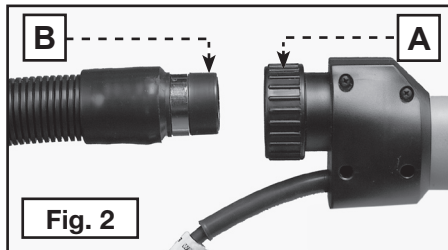
- A 13' (396 cm) long vacuum hose. This hose has a standard 1-1/4" (3.2 cm) vacuum cleaner connector on one end and a special swivel connector on the other end. It has a static dissipating feature to dissipate static electrical charges.
- An adapter [1-1/4" (3.2 cm) to 2-1/2" (6.4 cm)] to allow the connection of the sander to a 2-1/2" (6.4 cm) vacuum cleaner.

INSTALLATION

1. Install the special drywall dust bag into your vacuum cleaner, following the instructions supplied with the vacuum cleaner. If this dust bag does not fit your vacuum cleaner correctly, purchase and install a suitable filter bag that is rated for drywall dust.

⚠ WARNING: To reduce the risk of personal injury, use a dust bag rated for drywall dust. Failure to do so will increase the level of airborne dust particles in the work area. Continued and prolonged exposure to high concentrations of airborne dust may affect your respiratory system function.

2. Connect the vacuum hose to the Drywall Sander. Open the hose connector by turning the large nut (A) Fig. 2 counterclockwise a few turns. Push the vacuum hose swivel connector (B) Fig. 2 into the connector and seat firmly. Turn the large nut clockwise to tighten the connector.

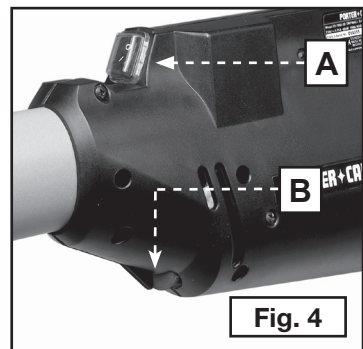


3. Connect the vacuum hose to your vacuum cleaner. Use the 1-1/4" (3.2 cm) to 2-1/2" (6.4 cm) adapter if necessary. If your vacuum cleaner requires a special connector (something other than the standard 1-1/4" (3.2 cm) to 2-1/2" (6.4 cm) connectors supplied with the Drywall Sander), contact your vacuum cleaner supplier for the proper adapter.

TO START AND STOP THE DRYWALL SANDER

Be certain that the power circuit voltage is the same as that shown on the specification plate of the tool, and that the switch is OFF (O). Connect the tool to the power circuit.

The Drywall Sander is equipped with a "rocker" type switch (A) Fig. 4. The top end of the switch button is labeled "O" (OFF), and the bottom end of the button is labeled "I" (ON). To start the sander, press the bottom end of the "I" switch. To stop the sander, press the top end of the "O" switch.



SPEED CONTROL

The 7800 Sander is equipped with a variable speed control. Adjust the speed by turning the control knob (B) Fig. 4. The control knob is numbered “1” through “5”. The setting “1” is the slowest speed (approximately 1000 RPM) and “5” is the fastest speed (approximately 2,000 RPM).

Use the higher speed settings for fast stock removal. Use the lower speed setting to reduce removal rate for more precise control. The **Model 7801** Drywall Sander has a constant speed of 2,000 RPM.

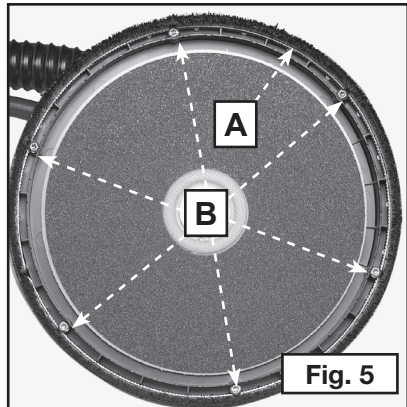
BRUSH-TYPE SKIRT

A brush-type skirt (A) Fig. 5 surrounds the abrasive pad on the **Model 7800**. This skirt serves two purposes:

- It extends below the surface of the abrasive pad to prevent the abrasive from “gouging” the work.
- It helps contain the drywall dust until the vacuum cleaner pulls it away.

Replace the skirt if it is damaged or if it is worn excessively. Replacement skirts are available from any PORTER-CABLE Service Center.

Since the **Model 7801** requires no vacuum cleaner, the skirt is shorter, but still prevents “gouging”.



TO REPLACE A SKIRT

▲WARNING: To reduce the risk of serious personal injury, turn tool off and disconnect tool from power source before installing and removing accessories, before adjusting or changing set-ups or when making repairs. An accidental start-up can cause injury.

1. Remove abrasive pad (see **Abrasive Pad Replacement**).
2. Use phillips screwdriver to remove the six retaining screws (B) Fig. 5.
3. Lift the skirt out of housing.
4. Position the new skirt to the housing and install the six retaining screws.
5. Replace the abrasive pad.

SANDING DRYWALL

The Drywall Sander has an articulating sanding head. The head can swivel in multiple directions, allowing the abrasive pad to conform to the work surface (Figs. 6, 7, and 8). This action enables you to sand the top, middle, and bottom of a wall or ceiling joint without changing position.

1. Turn the vacuum cleaner switch ON (I). (**Model 7800** only).

▲WARNING: To reduce the risk of personal injury, ALWAYS wear a respirator approved by NIOSH for “Dust and Mist”.

2. Turn Drywall Sander switch ON (I).
3. Position the Drywall Sander lightly against the work surface. Apply just enough pressure to align the sanding head with the work surface.
4. Apply additional pressure to engage the abrasive pad on the work surface. Move the sander in an overlapping pattern to smooth the drywall compound down to a “featheredge”.



Fig. 6



Fig. 7

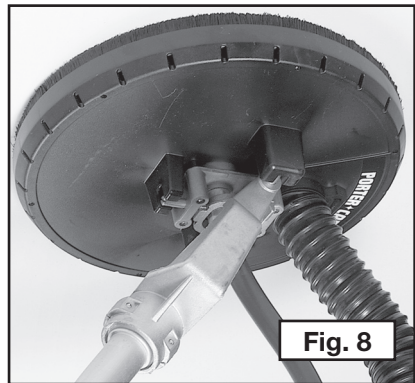


Fig. 8

Apply **ONLY** enough pressure to keep the abrasive pad flat against the work.

Keep the sander in constant motion while the abrasive pad is in contact with the work surface. Use a steady, sweeping motion. Excessive pressure, stopping the sander on the work, or moving the sander erratically can cause unacceptable swirl marks and unevenness in the work surface.

NOTE: Do not allow rotating abrasive pad to contact sharp protrusions. Contact with protruding objects (nails, screws, electrical boxes, etc.), can severely damage the abrasive pad.

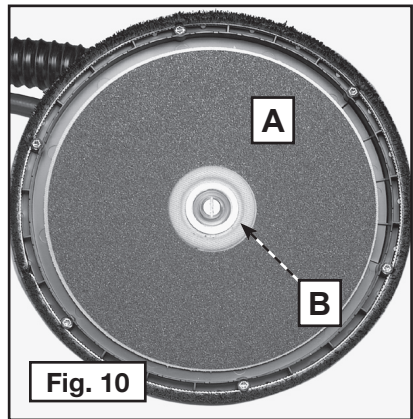
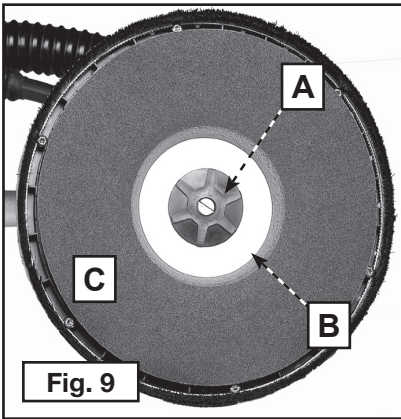
ABRASIVE PAD REPLACEMENT

⚠ WARNING: To reduce the risk of serious personal injury, turn tool off and disconnect tool from power source before installing and removing accessories, before adjusting or changing set-ups or when making repairs. An accidental start-up can cause injury.

1. Grasp the abrasive pad and the sander housing to prevent pad rotation.
2. Rotate the pad retaining nut (A) Fig. 9 counterclockwise and remove.
3. Lift off the large metal washer (B) Fig. 9, and the abrasive pad (C) Fig. 9.

NOTE: When the abrasive pad (C) Fig. 9 is lifted from the sander, the abrasive back-up disc (A) Fig. 10 is exposed. Note that this back-up disc is also covered with an abrasive material, and is used **ONLY** to prevent “slippage” between the back-up disc and the foam-backed abrasive pad. It is **NOT** suitable for use as a sanding abrasive. **DO NOT USE THE SANDER WITHOUT A PROPER ABRASIVE PAD.**

4. Position the new abrasive pad to the back-up disc, and center the hole of the disc on the hub (B) Fig. 10 of the back-up disc.
5. Position the large metal washer (B) Fig. 9, and the retaining nut (A) Fig. 9, to the sander.
6. Rotate the retaining nut clockwise to hand tighten (while holding the abrasive pad as described in step 1).



TRANSPORTATION AND STORAGE

Keep the sander dry during transport and storage. Protect the abrasive pad. Contact with another object may deform the pad, causing it to sand unevenly. If you cannot protect the pad during transport or storage, remove and store it separately.

TROUBLESHOOTING

For assistance with your tool, visit our website at www.deltaportercable.com for a list of service centers, or call the PORTER-CABLE Customer Care Center at (888)-848-5175.

MAINTENANCE

⚠ WARNING: To reduce the risk of injury, turn unit off and disconnect it from power source before installing and removing accessories, before adjusting or when making repairs. An accidental start-up can cause injury.

⚠ WARNING: ALWAYS USE SAFETY GLASSES. Everyday eyeglasses are NOT safety glasses. Also use face or dust mask if cutting operation is dusty. ALWAYS wear certified safety equipment:

- ANSI Z87.1 eye protection (CAN/CSA Z94.3)
- ANSI S12.6 (S3.19) hearing protection
- NIOSH/OSHA/MSHA respiratory protection.

REPAIRS

For assistance with your tool, visit our website at www.deltaportercable.com for a list of service centers, or call the PORTER-CABLE Customer Care Center at (888) 848-5175.

CLEANING

⚠ WARNING: Periodically blowing dust and chips out of the motor housing using clean, dry compressed air is a suggested maintenance procedure. To reduce the risk of serious personal injury, ALWAYS wear ANSI Z87.1 safety glasses while using compressed air.

▲ WARNING: When cleaning, use only mild soap and a damp cloth on plastic parts. Many household cleaners contain chemicals which could seriously damage plastic. Also, do not use gasoline, turpentine, lacquer, paint thinner, dry cleaning fluids or similar products which may seriously damage plastic parts. NEVER let any liquid get inside the tool; NEVER immerse any part of the tool into a liquid.

FAILURE TO START

Should your tool fail to start, check to make sure the prongs on the cord plug are making good contact in the outlet. Also, check for blown fuses or open circuit breakers in the line.

LUBRICATION

This tool has been lubricated with a sufficient amount of high grade lubricant for the life of the unit under normal operating conditions. No further lubrication is necessary.

BRUSH INSPECTION

For your continued safety and electrical protection, brush inspection and replacement on this tool should ONLY be performed by a PORTER-CABLE FACTORY SERVICE CENTER OR PORTER-CABLE AUTHORIZED WARRANTY SERVICE CENTER.

At approximately 100 hours of use, take or send your tool to your nearest PORTER-CABLE Factory Service center or PORTER-CABLE Authorized Warranty Service Center to be thoroughly cleaned and inspected. Have worn parts replaced and lubricated with fresh lubricant. Have new brushes installed, and test the tool for performance.

Any loss of power before the above maintenance check may indicate the need for immediate servicing of your tool. DO NOT CONTINUE TO OPERATE TOOL UNDER THIS CONDITION. If proper operating voltage is present, return your tool to the service station for immediate service.

SERVICE

REPLACEMENT PARTS

Use only identical replacement parts. For a parts list or to order parts, visit our service website at www.deltaportercableservicenet.com. You can also order parts from your nearest PORTER-CABLE Factory Service Center or PORTER-CABLE Authorized Warranty Service Center. Or, you can call our Customer Care Center at (888) 848-5175.

SERVICE AND REPAIRS

All quality tools will eventually require servicing and/or replacement of parts. For information about PORTER-CABLE, its factory service centers or authorized warranty service centers, visit our website at www.deltaportercable.com or call our Customer Care Center at (888) 848-5175. All repairs made by our service centers are fully guaranteed against defective material and workmanship. We cannot guarantee repairs made or attempted by others.

You can also write to us for information at PORTER-CABLE, 4825 Highway 45 North, Jackson, Tennessee 38305 - Attention: Product Service. Be sure to include all of the information shown on the nameplate of your tool (model number, type, serial number, etc.).

ACCESSORIES

▲ WARNING: Since accessories, other than those offered by PORTER-CABLE, have not been tested with this product, use of such accessories with this tool could be hazardous. To reduce the risk of injury, only PORTER-CABLE recommended accessories should be used with this product.

A complete line of accessories is available from your PORTER-CABLE Factory Service Center or a PORTER-CABLE Authorized Warranty Service Center. Please visit our Web Site www.deltaportercable.com for a catalog or for the name of your nearest supplier.

WARRANTY

PORTER-CABLE will repair, without charge, any defects due to faulty materials or workmanship for three years from the date of purchase. This warranty does not cover part failure due to normal wear or tool abuse. For further detail of warranty coverage and warranty repair information, visit www.deltaportercable.com or call (888) 848-5175. This warranty does not apply to accessories or damage caused where repairs have been made or attempted by others. This warranty gives you specific legal rights and you may have other rights which vary in certain states or provinces.

In addition to the warranty, PORTER-CABLE tools are covered by our:

1 YEAR FREE SERVICE: PORTER-CABLE will maintain the tool and replace worn parts caused by normal use, for free, any time during the first year after purchase.

90 DAY MONEY BACK GUARANTEE: If you are not completely satisfied with the performance of your PORTER-CABLE Power Tool, Laser, or Nailer for any reason, you can return it within 90 days from the date of purchase with a receipt for a full refund – no questions asked.

LATIN AMERICA: This warranty does not apply to products sold in Latin America. For products sold in Latin America, see country specific warranty information contained in the packaging, call the local company or see website for warranty information.

To register your tool for warranty service visit our website at www.deltaportercable.com.

WARNING LABEL REPLACEMENT

If your warning labels become illegible or are missing, call (888) 848-5175 for a free replacement.

Model 7800 9" (230mm) Dry Wall Sander
Variable Speed

⚠ WARNING To reduce the risk of injury, user must read and understand instruction manual. Always use proper eye and respiratory protection.

⚠ ADVERTENCIA Para disminuir el riesgo de lesiones, el usuario deberá leer y comprender el manual de instrucciones. Siempre se deberá llevar la protección apropiada para la vista y para las vías respiratorias.

⚠ AVERTISSEMENT Afin de minimiser les risques de blessures, l'utilisateur doit toujours lire et comprendre le guide d'utilisation. Il faut toujours porter de l'équipement de protection oculaire et respiratoire approprié.

⚠ WARNING

DO NOT REMOVE
GROUND PIN FROM
PLUG

⚠ WARNING

DO NOT REMOVE
GROUND PIN FROM
PLUG

⚠ ADVERTENCIA

NO quite el terminal
de conexión a tierra
del enchufe

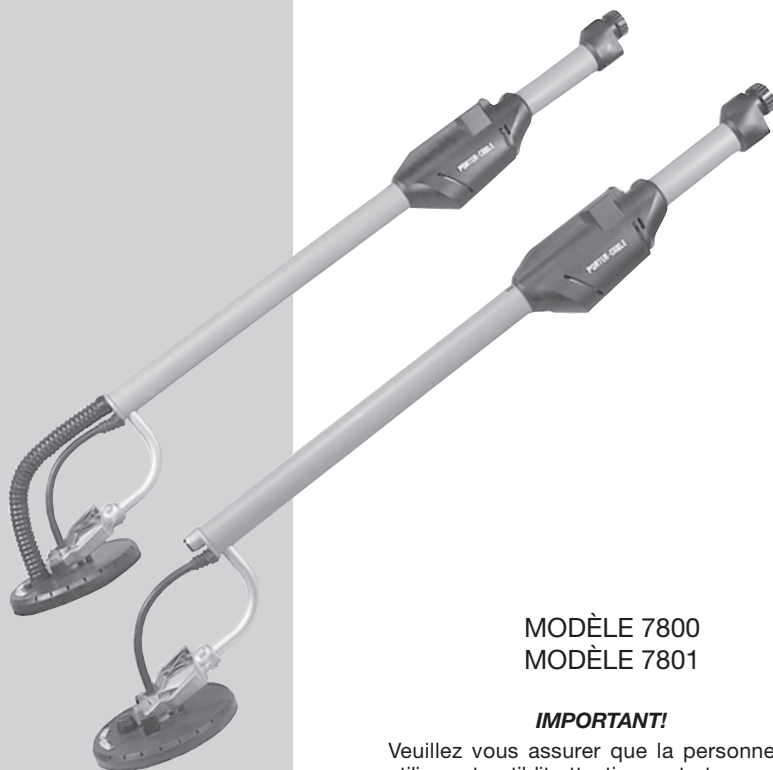
⚠ AVERTISSEMENT

NE retirez pas la
broche de mise à la
terre de la fiche

Manuel d'utilisation

ENGLISH: PAGE 1
ESPAÑOL: PÁGINA 35

Ponceuse de murs secs



MODÈLE 7800
MODÈLE 7801

IMPORTANT!

Veuillez vous assurer que la personne qui utilise cet outil lit attentivement et comprend ces instructions avant de commencer à utiliser l'outil.

Pour de plus amples renseignements concernant PORTER-CABLE, consultez notre Website à l'adresse suivante :
<http://www.deltaportercable.com>

PORTER-CABLE®

La plaque des numéros de modèle et de série est située sur le boîtier principal de l'outil. Prenez note de ces numéros dans les espaces ci-après et conservez-les pour référence future.

No. de modèle _____

Type _____

No. de série _____

No. de pièce N020227 12-02-08 _Rev.A

Copyright © 2001, 2002, 2005, 2006
2007, 2008 PORTER-CABLE

INSTRUCTIONS DE SÛRETÉ IMPORTANTES

▲ AVERTISSEMENT : Lire toutes instructions d'avertissements et opération avant d'utiliser n'importe quel outil ou n'importe quel équipement. En utilisant les outils ou l'équipement, les précautions de sûreté fondamentales toujours devraient être suivies pour réduire le risque de blessure personnelle. L'opération déplacée, l'entretien ou la modification d'outils ou d'équipement ont pour résultat la blessure sérieux et les dommages de propriété. Il y a de certaines applications pour lequel outils et l'équipement sont conçus. La PORTER-CABLE recommande avec force que ce produit n'ait pas modifié et/ou utilisé pour l'application autrement que pour lequel il a été conçu.

Si vous avez n'importe quelles questions relatives à son application n'utilisent pas le produit jusqu'à ce que vous avez écrit PORTER-CABLE et nous vous avons conseillé.

Nous contacter: www.deltaportercable.com

Courrier Postal Technical Service Manager
PORTER-CABLE
4825 Highway 45 North
Jackson, TN 38305

INFORMATION EN CE QUI CONCERNE L'OPÉRATION SÛRE ET CORRECTE EST DISPONIBLE DES SOURCES SUIVANTES:

The Power Tool Institute

1300 Sumner Avenue, Cleveland, OH 44115-2851

www.powertoolinstitute.org

National Safety Council

1121 Spring Lake Drive

Itasca, IL 60143-3201

American National Standards Institute

25 West 43rd Street, 4 floor

New York, NY 10036 www.ansi.org

ANSI 01.1 Safety Requirements for Woodworking Machines

The U.S. Department of Labor regulations

www.osha.gov

MESURES DE SÉCURITÉ - DÉFINITIONS

C'est important pour vous lire et comprendre ce manuel. L'information qu'il contient relate à protéger VOTRE SURETE et EMPECHER PROBLEMES. Les symboles au dessous de sont utilisé pour aider vous reconnaît cette information.



▲ DANGER : Indique une situation dangereuse imminente qui, si elle n'est pas évitée, **causera la mort ou des blessures graves.**

▲ AVERTISSEMENT : Indique une situation potentiellement dangereuse qui, si elle n'est pas évitée, **pourrait** se solder par un **décès ou des blessures graves.**

▲ ATTENTION: Indique une situation potentiellement dangereuse qui, si elle n'est pas évitée **pourrait** se solder par **des blessures mineures ou modérées.**

ATTENTION: Utilisé sans le symbole d'alerte à la sécurité, indique une situation potentiellement dangereuse qui, si elle n'est pas évitée **pourrait** se solder par **des dommages à la propriété.**

RÈGLES GÉNÉRALES SUR LA SÉCURITÉ



⚠ AVERTISSEMENT : Afin de réduire le risque de blessures, lire le mode d'emploi de l'outil.

AVERTISSEMENTS DE SÉCURITÉ GÉNÉRAUX POUR LES OUTILS ÉLECTRIQUES

⚠ AVERTISSEMENT : Lire tous les avertissements de sécurité et les directives. Le non-respect des avertissements et des directives pourrait se solder par un choc électrique, un incendie et/ou une blessure grave.

CONSERVER TOUS LES AVERTISSEMENTS ET TOUTES LES DIRECTIVES POUR UN USAGE ULTÉRIEUR

Le terme « outil électrique » cité dans les avertissements se rapporte à votre outil électrique à alimentation sur secteur (avec fil) ou par piles (sans fil).

1) SÉCURITÉ DU LIEU DE TRAVAIL

- a) **Tenir l'aire de travail propre et bien éclairée.** Les lieux encombrés ou sombres sont propices aux accidents.
- b) **Ne pas faire fonctionner d'outils électriques dans un milieu déflagrant, tel qu'en présence de liquides, de gaz ou de poussières inflammables.** Les outils électriques produisent des étincelles qui pourraient enflammer la poussière ou les vapeurs.
- c) **Éloigner les enfants et les personnes à proximité pendant l'utilisation d'un outil électrique.** Une distraction pourrait en faire perdre la maîtrise à l'utilisateur.

2) SÉCURITÉ EN MATIÈRE D'ÉLECTRICITÉ

- a) **Les fiches des outils électriques doivent correspondre à la prise. Ne jamais modifier la fiche d'aucune façon. Ne jamais utiliser de fiche d'adaptation avec un outil électrique mis à la terre.** Le risque de choc électrique sera réduit par l'utilisation de fiches non modifiées correspondant à la prise.
- b) **Éviter tout contact physique avec des surfaces mises à la terre comme des tuyaux, des radiateurs, des cuisinières et des réfrigérateurs.** Le risque de choc électrique est plus élevé si votre corps est mis à la terre.
- c) **Ne pas exposer les outils électriques à la pluie ou à l'humidité.** La pénétration de l'eau dans un outil électrique augmente le risque de choc électrique.
- d) **Ne pas utiliser le cordon de façon abusive. Ne jamais utiliser le cordon pour transporter, tirer ou débrancher un outil électrique. Tenir le cordon éloigné de la chaleur, de l'huile, des bords tranchants et des pièces mobiles.** Les cordons endommagés ou enchevêtrés augmentent les risques de choc électrique.
- e) **Pour l'utilisation d'un outil électrique à l'extérieur, se servir d'une rallonge convenant à cette application.** L'utilisation d'une rallonge conçue pour l'extérieur réduira les risques de choc électrique.
- f) **S'il est impossible d'éviter l'utilisation d'un outil électrique dans un endroit humide, brancher l'outil dans une prise ou sur un circuit d'alimentation dotés d'un disjoncteur de fuite à la terre (GFCI).** L'utilisation de ce type de disjoncteur réduit les risques de choc électrique.

3) SÉCURITÉ PERSONNELLE

- a) **Être vigilant, surveiller le travail effectué et faire preuve de jugement lorsqu'un outil électrique est utilisé. Ne pas utiliser d'outil électrique en cas de fatigue ou sous l'influence de drogues, d'alcool ou de médicaments.** Un simple moment d'inattention en utilisant un outil électrique peut entraîner des blessures corporelles graves.

- b) **Utiliser des équipements de protection individuelle. Toujours porter une protection oculaire.** L'utilisation d'équipements de protection comme un masque antipoussière, des chaussures antidérapantes, un casque de sécurité ou des protecteurs auditifs lorsque la situation le requiert réduira les risques de blessures corporelles.
- c) **Empêcher les démarrages intempestifs. S'assurer que l'interrupteur se trouve à la position d'arrêt avant de relier l'outil à une source d'alimentation et/ou d'insérer un bloc-piles, de ramasser ou de transporter l'outil.** Transporter un outil électrique alors que le doigt repose sur l'interrupteur ou brancher un outil électrique dont l'interrupteur est à la position de marche risque de provoquer un accident.
- d) **Retirer toute clé de réglage ou clé avant de démarrer l'outil.** Une clé ou une clé de réglage attachée à une partie pivotante de l'outil électrique peut provoquer des blessures corporelles.
- e) **Ne pas trop tendre les bras. Conserver son équilibre en tout temps.** Cela permet de mieux maîtriser l'outil électrique dans les situations imprévues.
- f) **S'habiller de manière appropriée. Ne pas porter de vêtements amples ni de bijoux. Garder les cheveux, les vêtements et les gants à l'écart des pièces mobiles.** Les vêtements amples, les bijoux ou les cheveux longs risquent de rester coincés dans les pièces mobiles.
- g) **Si des composants sont fournis pour le raccordement de dispositifs de dépoussiérage et de ramassage, s'assurer que ceux-ci sont bien raccordés et utilisés.** L'utilisation d'un dispositif de dépoussiérage peut réduire les dangers engendrés par les poussières.

4) UTILISATION ET ENTRETIEN D'UN OUTIL ÉLECTRIQUE

- a) **Ne pas forcer un outil électrique. Utiliser l'outil électrique approprié à l'application.** L'outil électrique approprié effectuera un meilleur travail, de façon plus sûre et à la vitesse pour laquelle il a été conçu.
- b) **Ne pas utiliser un outil électrique dont l'interrupteur est défectueux.** Tout outil électrique dont l'interrupteur est défectueux est dangereux et doit être réparé.
- c) **Débrancher la fiche de la source d'alimentation et/ou du bloc-piles de l'outil électrique avant de faire tout réglage ou changement d'accessoire ou avant de ranger l'outil.** Ces mesures préventives réduisent les risques de démarrage accidentel de l'outil électrique.
- d) **Ranger les outils électriques hors de la portée des enfants et ne permettre à aucune personne n'étant pas familière avec un outil électrique ou son mode d'emploi d'utiliser cet outil.** Les outils électriques deviennent dangereux entre les mains d'utilisateurs inexpérimentés.
- e) **Entretien des outils électriques. Vérifier si les pièces mobiles sont mal alignées ou coincées, si des pièces sont brisées ou présentent toute autre condition susceptible de nuire au bon fonctionnement de l'outil électrique. En cas de dommage, faire réparer l'outil électrique avant toute nouvelle utilisation.** Beaucoup d'accidents sont causés par des outils électriques mal entretenus.
- f) **S'assurer que les outils de coupe sont aiguisés et propres.** Les outils de coupe bien entretenus et affûtés sont moins susceptibles de se coincer et sont plus faciles à maîtriser.
- g) **Utiliser l'outil électrique, les accessoires, les forets, etc. conformément aux présentes directives en tenant compte des conditions de travail et du travail à effectuer.** L'utilisation d'un outil électrique pour toute opération autre que celle pour laquelle il a été conçu est dangereuse.

5) RÉPARATION

- a) **Faire réparer l'outil électrique par un réparateur professionnel en n'utilisant que des pièces de rechange identiques.** Cela permettra de maintenir une utilisation sécuritaire de l'outil électrique.

CONSIGNES DE SÉCURITÉ SPÉCIFIQUES

AVERTISSEMENTS DE SÉCURITÉ COMMUNS À TOUTES LES OPÉRATIONS DE MEULAGE, DE PONÇAGE, DE BROSSAGE À L'AIDE D'UNE BROSSE MÉTALLIQUE, DE POLISSAGE OU DE COUPE PAR ABRASION :

- a) **Cet outil électrique est conçu pour fonctionner comme une ponceuse.** Lire tous les avertissements de sécurité, les directives, les illustrations et les spécifications fournies avec cet outil électrique. Négliger de suivre toutes les directives suivantes peut entraîner des risques de décharges électriques, d'incendie et/ou de blessures graves.
- b) **Il n'est pas recommandé d'effectuer des opérations comme le meulage, le polisseuse, le brossage à l'aide d'une brosse métallique ou la coupe avec cet outil électrique.** Les opérations pour lesquelles l'outil électrique n'a pas été conçu risquent de créer des dangers et d'entraîner des blessures corporelles.
- c) **Ne pas utiliser d'accessoire non conçu spécifiquement pour cet outil ou qui n'aurait pas reçu une approbation spécifique du fabricant de l'outil.** En effet, il est parfois possible de fixer un accessoire à l'outil électrique; toutefois, cela ne garantit pas une utilisation sécuritaire.
- d) **Le régime nominal de l'accessoire doit être au moins égal au régime maximal inscrit sur l'outil électrique.** Les accessoires soumis à un régime plus élevé QUE CELUI POUR LEQUEL ILS SONT CONÇUS peuvent se briser et être projetés.
- e) **Le diamètre externe et l'épaisseur de l'accessoire doivent être adéquats pour la capacité de l'outil électrique.** Il est impossible de protéger l'utilisateur d'un bris d'accessoire de mauvais calibre ou de le maîtriser correctement.
- f) **Le trou pour arbre d'entraînement des meules, des brides, des tampons ou de tout autre accessoire doit s'ajuster correctement à la broche de l'outil électrique;** autrement, l'outil sera déséquilibré, vibrera excessivement et risquera de provoquer une perte de maîtrise.
- g) **Ne jamais utiliser un accessoire endommagé.** Avant toute utilisation, inspecter les accessoires comme les meules abrasives à la recherche d'éclats et de fissures; le tampon pour tout signe de fissures, de déchirures ou d'usure excessive; et la brosse métallique, pour déceler s'il y a des fils métalliques fissurés ou détachés. En cas de chute de l'outil ou de l'accessoire, les inspecter à la recherche de dommages ou insérer un accessoire non endommagé. Après l'inspection et l'insertion d'un accessoire, se positionner (l'utilisateur ou quiconque aux alentours) hors du plan de rotation de l'accessoire et faire tourner, pendant une minute, l'outil électrique à plein régime, à vide. Normalement, tout accessoire endommagé se brisera au cours de cette période d'essai.
- h) **Porter un équipement de protection individuelle.** Utiliser un masque facial, des lunettes de sécurité ou des lunettes protectrices en fonction de l'application. Au besoin, porter un masque antipoussières, des protecteurs auditifs, des gants et un tablier d'atelier capable d'arrêter de petits fragments d'abrasifs ou de pièces. La protection oculaire doit être en mesure d'arrêter tout débris produit par les diverses opérations et le masque antipoussières ou le respirateur, de filtrer les particules produites par l'opération en cours. Une exposition prolongée à un bruit d'intensité élevée pourrait causer une perte auditive.
- i) **Éloigner tout observateur à une distance sécuritaire de la zone de travail.** Toute personne qui pénètre dans la zone de travail devra également porter un équipement de protection individuelle. Il est possible qu'un fragment de pièce ou un accessoire brisé soit projeté et provoque des blessures au-delà de la zone immédiate de travail.
- j) **Tenir l'outil électrique uniquement par sa surface de prise isolée dans une situation où l'accessoire de coupe pourrait entrer en contact avec un câble électrique dissimulé ou avec son propre cordon d'alimentation.** Tout contact entre un fil « sous tension » et l'accessoire de coupe pourrait également mettre « sous tension » les pièces métalliques exposées de l'outil et électrocuter l'opérateur.
- k) **Positionner le cordon d'alimentation hors d'atteinte de l'accessoire en mouvement.** En cas de perte de maîtrise, il est possible de couper ou d'effiloche le cordon et la main ou le bras de l'opérateur risqueraient d'être happés par l'accessoire en mouvement.
- l) **Ne jamais déposer l'outil électrique avant l'immobilisation complète de l'ac-**

cessoire. L'accessoire en mouvement risquerait de mordre dans la surface et de projeter l'outil électrique.

- m) **Mettre l'outil hors tension pour tout déplacement de celui-ci par l'utilisateur.** Un contact accidentel avec l'accessoire en mouvement pourrait happer les vêtements de l'utilisateur et projeter l'accessoire contre son corps.
- n) **Nettoyer régulièrement les événements de l'outil électrique.** Le ventilateur du moteur aspirera la poussière à l'intérieur du boîtier. Une accumulation excessive de poudre métallique représente un danger d'origine électrique.
- o) **Ne pas faire fonctionner l'outil électrique à proximité de matières inflammables.** Les étincelles produites risquent de les enflammer.
- p) **Ne pas utiliser d'accessoires qui exigent l'utilisation d'un liquide de refroidissement.** L'utilisation d'eau ou de tout autre liquide de refroidissement pourrait se solder par une électrocution ou une secousse électrique.

AVERTISSEMENTS RELATIFS À L'EFFET DE REBOND ET AUTRES SUJETS CONNEXES

L'effet de rebond est une réaction soudaine d'une meule, d'un tampon, d'une brosse ou d'un tout autre accessoire, en mouvement, qui est pincé ou qui s'accroche. Un pincement ou un accrochage provoque un arrêt rapide de l'accessoire en mouvement qui, à son tour, projette l'outil électrique, hors de maîtrise, dans la direction opposée à la rotation de l'outil au point de grippage.

Par exemple, si un tampon se pince ou s'accroche dans la pièce, le bord du tampon introduit au point de pincement peut mordre dans la surface de la pièce et projeter la meule hors de la rainure. La meule peut être projetée vers l'opérateur ou dans la direction opposée selon le sens de rotation de la meule au point de pincement.

Un effet de rebond est le résultat d'une mauvaise utilisation de l'outil électrique et/ou de procédures ou conditions de fonctionnement incorrectes. Il peut être évité en prenant les précautions nécessaires telles que décrites ci-dessous :

- a) **Saisir fermement l'outil électrique et positionner le corps et les bras de sorte à résister à la force de l'effet de rebond.** Utiliser toujours la poignée auxiliaire, s'il y en a une, pour contrôler au maximum l'effet de rebond ou le couple de réaction au démarrage. Avec de bonnes précautions, l'opérateur est en mesure de contrôler le couple de réaction ou l'effet de rebond.
- b) **Ne jamais placer les mains près de l'accessoire en mouvement.** Il pourrait en effet être projeté sur celles-ci en cas de rebond.
- c) **Ne pas positionner le corps dans la trajectoire probable de l'outil électrique, en cas de rebond.** Au moment du grippage, l'outil sera projeté dans la direction opposée au déplacement de la meule.
- d) **Être particulièrement attentif lors de travaux dans un coin, sur des bords tranchants, etc.** Éviter de faire rebondir l'accessoire. Éviter tout type de grippage de l'accessoire. Un travail dans un coin ou sur des bords tranchants ou un travail en faisant rebondir l'accessoire provoquent souvent un grippage et une perte de maîtrise de l'outil ou un effet de rebond.
- e) **Ne pas fixer de lame de tronçonneuse pour sculpter le bois ou de lame de scie dentée.** Ces types de lames provoquent des effets de rebond et des pertes de maîtrise fréquents.

AVERTISSEMENTS DE SÉCURITÉ SPÉCIFIQUES AUX OPÉRATIONS DE PONÇAGE :

- a) **Ne pas utiliser un papier pour disque abrasif excessivement surdimensionné.** Respecter les recommandations des fabricants lors de la sélection du papier abrasif. Un papier abrasif plus grand que le plateau de ponçage représente un risque de lacération. Le papier risque également de s'accrocher, de se déchirer ou de provoquer un effet de rebond.

AVERTISSEMENTS DE SÉCURITÉ SPÉCIFIQUES AUX OPÉRATIONS DE POLISSAGE :

- a) **Ne pas laisser tourner librement une partie lâche de la coiffe à polir ou ses ficelles.** Bien insérer les extrémités des ficelles qui dépassent sous la coiffe ou les couper. Des ficelles lâches et en rotation peuvent s'enchevêtrer dans les doigts ou s'accrocher à la pièce.

RALLONGE

Pour la sécurité de l'utilisateur, utiliser une rallonge de calibre adéquat (AWG, American Wire Gauge [calibrage américain normalisé des fils]). Plus le numéro de calibre de fil est petit et plus sa capacité est grande, par exemple un calibre 16 a plus de capacité qu'un calibre 18. L'usage d'une rallonge de calibre insuffisant causera une chute de tension entraînant perte de puissance et surchauffe. Si plus d'une rallonge est utilisée pour obtenir la longueur totale, s'assurer que chaque rallonge présente au moins le calibre de fil minimum. Le tableau ci-dessous illustre les calibres à utiliser selon la longueur de rallonge et l'intensité nominale indiquée sur la plaque signalétique. En cas de doutes, utiliser le calibre suivant. Plus le calibre est petit, plus la rallonge peut supporter de courant.

Intensité nominale		Calibre minimum pour rallonge				
		Volts	Longueur totale du cordon en mètres (en pieds)			
			120V	7,6 (25)	15,2 (50)	30,5 (100)
		240V	15,2 (50)	30,5 (100)	61,0 (200)	91,4 (300)
Plus de	Pas plus de	AWG				
0	6		5,5 (18)	4,9 (16)	4,9 (16)	4,3 (14)
6	10		5,5 (18)	4,9 (16)	4,3 (14)	3,7 (12)
10	12		4,9 (16)	4,9 (16)	4,3 (14)	3,7 (12)
12	16		4,3 (14)	3,7 (12)	Non recommandé	

▲ AVERTISSEMENT : Certaines poussières produites par les travaux de ponçage, de sciage, de meulage, de perçage et par toute autre activité de construction contiennent des produits chimiques reconnus par l'État de la Californie comme pouvant causer le cancer, des anomalies congénitales ou d'autres problèmes liés aux fonctions reproductrices. Voici quelques exemples de ces produits chimiques :

- le plomb des peintures à base de plomb,
- la silice cristalline provenant des briques, du ciment et d'autres produits de maçonnerie ainsi que, et
- l'arsenic et le chrome issus du bois traité chimiquement.

Les risques liés à l'exposition à ces produits chimiques varient selon la fréquence à laquelle l'utilisateur effectue ce type de travail. Pour réduire l'exposition à ces produits chimiques : travailler dans un endroit bien ventilé et porter un équipement de sécurité approuvé, notamment un masque antipoussières conçu spécialement pour filtrer les particules microscopiques.

▲ AVERTISSEMENT : Éviter tout contact prolongé avec la poussière soulevée par cet outil ou autres outils électriques. Porter des vêtements de protection et nettoyer les parties exposées du corps avec de l'eau savonneuse. S'assurer de bien se protéger afin d'éviter d'absorber par la bouche, les yeux ou la peau des produits chimiques nocifs.

▲ AVERTISSEMENT : Cet outil peut produire et répandre de la poussière susceptible de causer des dommages sérieux et permanents au système respiratoire. Toujours utiliser un appareil respiratoire anti-poussières approuvé par le NIOSH/OSHA/MSHA. Diriger les particules dans le sens opposé du visage et du corps.

▲ AVERTISSEMENT : TOUJOURS porter une protection auditive appropriée conformément à la norme ANSI S12.6 (S3.19) lors de l'utilisation du produit. Dans certaines conditions et selon la durée d'utilisation, le bruit émis par ce produit peut contribuer à une perte auditive.

⚠ AVERTISSEMENT : **TOUJOURS PORTER DES LUNETTES DE SÉCURITÉ.** (ANSI Z87.1) and (CAN/CSA Z94.3) Les lunettes de vue ne constituent PAS des lunettes de sécurité. Utiliser également un masque facial ou anti-poussière si l'opération de découpe génère de la poussière. **TOUJOURS PORTER UN ÉQUIPEMENT DE PROTECTION HOMOLOGUÉ :**

- protection oculaire ANSI Z87.1 (CAN/CSA Z94.3),
- protection auditive ANSI S12.6 (S3.19) et
- protection des voies respiratoires NIOSH/OSHA.

SYMBOLES

L'étiquette apposée sur votre outil peut comprendre les symboles suivants.

Les symboles et leurs définitions sont indiqués ci-après :

V.....volts	A..... ampères
Hzhertz	W..... watts
min.....minutes	~ courant alternatif
==courant continu	⋈ courant alternatif ou continu
Ⓢ.....Construction de classe I (mis à la terre)	n _o vitesse à vide
ⓂConstruction de classe II (à double isolation)	⊕ borne de terre
RPM.....rotations ou alternance par minute	⚠ symbole d'alerte à la sécurité
	BPM coups par minute
	.../min par minute
	OPM..... orbites par minute

MOTEUR

S'assurer que le bloc d'alimentation est compatible avec l'inscription de la plaque signalétique. L'inscription « 120 volts c.a. » signifie que la outil peut fonctionner tant avec du courant alternatif. Une baisse de tension d'aussi peu que 10 % peut provoquer une perte de puissance et occasionner une surchauffe. Tous les outils PORTER-CABLE sont testés en usine; si cet outil ne fonctionne pas, vérifier l'alimentation électrique.

⚠ AVERTISSEMENT : le régime nominal des accessoires doit au minimum égaler la vitesse recommandée sur l'étiquette d'avertissement de l'outil. Les accessoires fonctionnant à un régime plus élevé que celui pour lequel ils ont été conçus peuvent être projetés et entraîner des blessures. Le régime nominal des accessoires doit toujours se situer au-dessus de la vitesse de l'outil, tel qu'indiqué sur la plaque signalétique de l'outil.

⚠ AVERTISSEMENT : **Pour réduire le risque de blessures, éteindre l'appareil et le débrancher avant d'installer ou de retirer tout accessoire et avant d'effectuer des réglages ou des réparations.** Un démarrage accidentel peut provoquer des blessures.

CONSERVER CES DIRECTIVES

RÈGLES DE SÉCURITÉ SUPPLÉMENTAIRES POUR L'ÉLIMINATION DE LA PEINTURE

1. Le ponçage d'une peinture au plomb N'EST PAS RECOMMANDÉ en raison des difficultés entourant le contrôle de la poussière contaminée. Le danger le plus important d'empoisonnement au plomb touche les enfants et les femmes enceintes.
2. Étant donné qu'il est difficile d'identifier si une peinture contient ou non du plomb sans une analyse chimique, nous recommandons de suivre les précautions suivantes lors du ponçage d'une peinture.

SÉCURITÉ PERSONNELLE

1. Les enfants et les femmes enceintes ne devraient pas entrer dans une zone de travail où se fait le ponçage de la peinture avant que la zone n'ait été entièrement nettoyée.
2. Toutes les personnes entrant dans la zone de travail doivent porter un masque anti-poussières ou un respirateur. Le filtre doit être remplacé chaque jour ou dès que la personne qui le porte éprouve de la difficulté à respirer. Consulter la quincaillerie de la région pour obtenir un masque antipoussières approuvé par la NIOSH.
3. NE PAS MANGER, NI BOIRE, NI FUMER dans la zone de travail pour empêcher toute ingestion de particules contaminées de peinture. Les travailleurs doivent se laver les mains AVANT de manger, de boire ou de fumer. Ne pas laisser de nourriture, de boissons ou d'articles de fumeur dans la zone de travail où ils risquent de recevoir de la poussière.

RESPECT DE L'ENVIRONNEMENT

1. La peinture doit être enlevée de façon à minimiser la quantité de poussière produite.
2. Les zones où la peinture est enlevée doivent être scellées avec des feuilles de plastique d'une épaisseur de 4 mils.
3. Le ponçage doit se faire de façon à réduire le repérage de la poussière de peinture à l'extérieur de la zone de travail.

NETTOYAGE ET ÉLIMINATION

1. Toutes les surfaces de la zone de travail doivent être nettoyées à fond à l'aide d'un aspirateur, et ce, chaque jour, pour la durée du projet de ponçage. Il faut changer régulièrement les sacs-filtres pour aspirateur.
2. Les toiles de peinture en plastique doivent être rassemblées et mises au rebut avec les particules de poussière ou tout autre débris d'enlèvement. Il faut les placer dans des récipients à rebut étanches et les éliminer par la collecte des ordures ménagères. Pendant le nettoyage, les enfants et les femmes enceintes doivent éviter de se trouver dans la zone immédiate de travail.
3. Tous les jouets, meubles lavables et les ustensiles utilisés par les enfants doivent être nettoyés à fond avant de les utiliser de nouveau.

CONSERVEZ CES INSTRUCTIONS!

CONTENUS DE BOITE

Ponceuse de murs secs
Le Manuel d'Instruction

DESCRIPTION FONCTIONNELLE

AVANT-PROPOS

La ponceuse de murs secs PORTER-CABLE est conçue pour le ponçage des murs et des plafonds qui sont faits de placoplâtre ou de plâtre. La ponceuse assure un fini supérieur et elle est plus rapide que les méthodes conventionnelles de finition pour les nouvelles constructions aussi bien que le travail de rénovation. Le temps de nettoyage pour le modèle 7800 est minimisé si on utilise un aspirateur externe raccordé à la ponceuse

ASSEMBLÉE

NOTE: Cet outil est complètement expédié s'est assemblé. Aucun temps d'assemblée ou les outils sont exigés.

SÉLECTION DU DISQUE ABRASIF

Un disque abrasif est déjà inclus avec la ponceuse pour cloison sèche. Pour obtenir des détails sur le type de grain, se reporter à l'emballage. Un numéro de grain élevé correspond à un fini plus lisse.

⚠ ATTENTION : Ne tentez d'utiliser aucun abrasif autre que ceux énumérés dans la PORTER-CABLE.

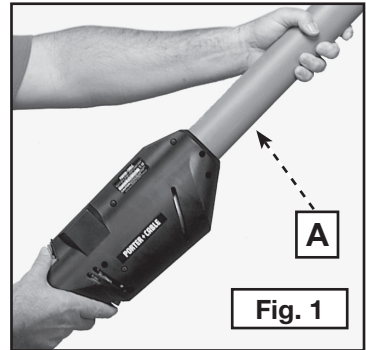
OPÉRATION

⚠ AVERTISSEMENT : pour réduire le risque de blessures corporelles graves, éteindre l'outil et le débrancher avant d'installer et de retirer tout accessoire, avant d'ajuster ou de modifier les réglages ou lors de réparations. Un démarrage accidentel peut provoquer des blessures.

FAÇON DETENIR UNE PONCEUSE DE MURS SECS

Tenir la ponceuse avec les deux mains sur le tube principal (A) Fig. 1. Disposer vos mains n'importe où le long du tube principal pour fournir la meilleure combinaison de portée et d'effet de levier.

⚠ ATTENTION : Pour réduire le risque de blessures, gardez les mains sur le tube principal (A) Fig. 1. Ne placez pas la main dans la partie entourant la tête de ponçage. La tête de ponçage pivote dans plusieurs directions et pourrait vous pincer la main.



CONNECTER LA PONCEUSE À VOTRE VAC D'ATELIER

Fourni avec cet outil sont :

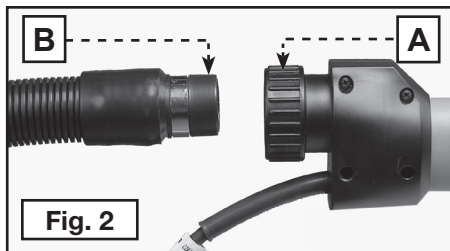
- Un 396 cm (13 pieds) le tuyau long de vide. Ce tuyau a un connecteur d'aspirateur standard sur une fin et un connecteur de pivot spécial sur l'autre fin. Il a une caractéristique dispersant statique pour disperser des charges électriques statiques.
- Un adaptateur de [3,2 cm (1-1/4 po) à 6,4 cm (2-1/2 po)] pour le rendre compatible à un aspirateur de 6,4 cm (2-1/2 po).

POSEZ COMME SUIV

1. Posez le sac à poussière spécial pour placoplâtre dans votre aspirateur, en suivant les instructions fournies avec l'aspirateur. Si ce sac à poussière ne s'insère pas correctement dans votre aspirateur, achetez et posez un sac-filtre convenable qui est prévu pour la poussière de placoplâtre.

⚠ AVERTISSEMENT : Pour réduire le risque de blessures, utilisation d'un sac à poussière prévu pour la poussière de placoplâtre. Manque de faire ainsi augmentera le niveau de particules de poussière en suspension dans l'air de la zone de travail. L'exposition continue et prolongée à de fortes concentrations de poussière en suspension dans l'air peut affecter le système respiratoire.

- Raccordez le flexible d'aspirateur à la ponceuse de murs secs: ouvrez le connecteur de flexible de la ponceuse de murs secs en tournant le gros écrou (A) Fig. 2, en sens anti-horaire de quelques tours. Poussez le connecteur à émerillon (B) Fig. 2, du flexible d'aspirateur dans le connecteur de la ponceuse de murs secs et calez fermement. Tournez le gros écrou en sens horaire pour serrer le connecteur.

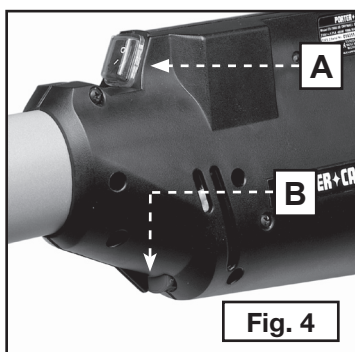


- Raccordez le flexible d'aspirateur à votre aspirateur: utilisez l'adaptateur de 3,2 cm (1-1/4 po) à 6,4 cm (2-1/4 po), au besoin. Si votre aspirateur nécessite un connecteur spécial (quelque chose d'autre que les connecteurs standard de 3,2 cm (1-1/4 po) à 6,4 cm (2-1/4 po) fournis avec la ponceuse de murs secs), contactez votre fournisseur d'aspirateurs pour vous procurer l'adaptateur approprié.

POUR METTRE LA PONCEUSE DE MURS SECS EN MARCHÉ ET À L'ARRÊT

Assurez-vous que la tension du circuit d'alimentation est identique à celle indiquée sur la plaque signalétique de la ponceuse, et que l'interrupteur de la ponceuse est en position d'arrêt (O).

La ponceuse de murs secs est équipée d'un interrupteur de type culbuteur (A) Fig. 4. L'extrémité supérieure de l'interrupteur est marquée "O" (**arrêt**), et l'extrémité inférieure de l'interrupteur est marquée "I" (**marche**). Pour mettre la ponceuse en marche : appuyez sur l'extrémité inférieure ("I") de l'interrupteur. Pour mettre la ponceuse à l'arrêt : appuyez sur l'extrémité supérieure ("O") de l'interrupteur.



COMMANDE DE LAVITESSE

La ponceuse pour plaques de plâtre **modèle 7800** est munie d'une commande de variation de vitesse. On règle la vitesse en tournant le bouton de commande (B) Fig. 4. Le bouton de commande est numéroté de « 1 » à « 5 », « 1 » étant la vitesse la plus basse (environ 1000 tr/min) et « 5 », étant la vitesse la plus rapide (environ 2000 tr/min).

Utilisez les réglages de vitesse plus élevée en vue d'une élimination rapide des matériaux. Utilisez le réglage de vitesse plus lente en vue de réduire le taux d'enlèvement pour un contrôle plus précis. La ponceuse pour plaques de plâtre **modèle 7801** tourne au régime constant de 2000 tr/min.

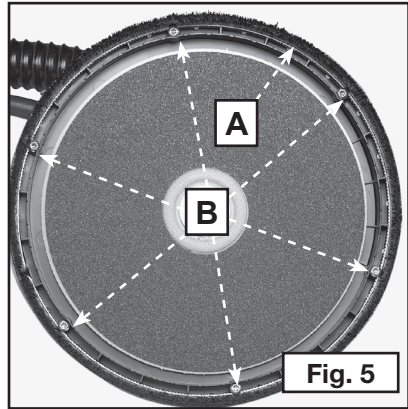
JUPE DE TYPE BROSSA

Sur le **modèle 7800**, une jupe de type brosse (A) Fig. 5 entoure le patin abrasif. Cette jupe a deux fonctions:

- La jupe se prolonge sous la surface du patin abrasif de sorte qu'elle vient en contact avec la surface de l'ouvrage en premier l'ouvrage, ce qui empêche l'abrasif de « gouger » l'ouvrage.
- La jupe aide également à contenir la poussière de placoplâtre jusqu'à son enlèvement par l'aspirateur.

Si la jupe est abîmée ou si elle devient excessivement usée, elle doit être remplacée. On peut se procurer des jupes de rechange auprès de tout Centre de service PORTER-CABLE.

Comme le **modèle 7801** n'a pas besoin d'aspirateur, sa jupe est plus courte mais et empêche l'abrasif de « gouger » l'ouvrage.



POUR REMPLACER LA JUPE

▲ AVERTISSEMENT : pour réduire le risque de blessures corporelles graves, éteindre l'outil et le débrancher avant d'installer et de retirer tout accessoire, avant d'ajuster ou de modifier les réglages ou lors de réparations. Un démarrage accidentel peut provoquer des blessures.

1. Retirez le patin abrasif (voir **Remplacement Du Patin Abrasif**).
2. Utilisez une tournevis à empreinte cruciforme pour déposer les six vis de retenue (B) Fig. 5.
3. Soulevez la jupe hors du boîtier.
4. Placez la nouvelle jupe sur le boîtier et posez les six vis de retenue.
5. Remettez le patin abrasif en place.

PONÇAGE DES MURS SECS

La ponceuse de murs secs possède une tête de ponçage articulée. La tête peut pivoter dans plusieurs directions, ce qui permet au patin abrasif d'épouser la surface de l'ouvrage (voir Figures 6, 7 et 8). Ceci permet à l'opérateur de poncer les parties supérieure, centrale et inférieure d'un joint de mur ou de plafond sans changer de position.

1. Mettez l'interrupteur de l'aspirateur en position marche ("I"). (**Modèle 7800** seulement)

▲ AVERTISSEMENT : Pour réduire le risque de blessures, portez toujours un respirateur approuvé par NIOSH pour la poussière et la brume.

2. Mettez l'interrupteur de la ponceuse de murs secs en position de marche ("I").
3. Positionnez la ponceuse de murs secs légèrement contre la surface de l'ouvrage (exercez juste assez de pression pour aligner la tête de ponçage sur la surface de l'ouvrage).
4. Exercez une pression supplémentaire afin d'engager le patin abrasif sur la surface de l'ouvrage: tout en déplaçant la ponceuse par mouvements de chevauchement afin de lisser la pâte à joint pour en faire un bord mince.



Fig. 6



Fig. 7

Exercez TOUT JUSTE assez de pression pour maintenir le patin abrasif à plat contre l'ouvrage. Une pression excessive peut causer des marques de tourbillonnement inacceptables et une inégalité à la surface de l'ouvrage.

Maintenez la ponceuse en mouvement constant pendant que le patin abrasif est en contact avec la surface de l'ouvrage. Utilisez un mouvement régulier de balayage. L'arrêt de la ponceuse (sur l'ouvrage) ou un mouvement irrégulier de la ponceuse peut causer des marques de tourbillonnement inacceptables et une inégalité à la surface de l'ouvrage.

REMARQUE : Ne laissez pas le patin abrasif en rotation venir en contact avec des saillies vives. Le contact avec des objets faisant saillie (clous, vis, boîtes électriques, etc.) peut abîmer considérablement le patin abrasif.

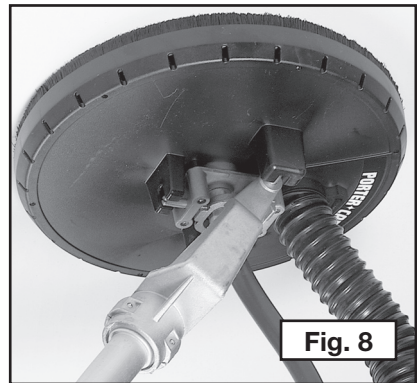


Fig. 8

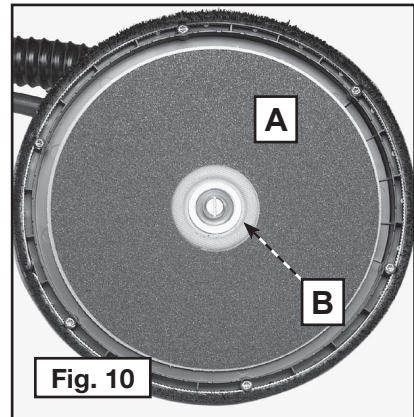
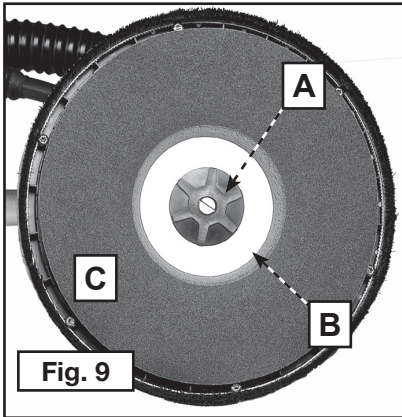
REPLACEMENT DU PATIN ABRASIF

⚠ AVERTISSEMENT : pour réduire le risque de blessures corporelles graves, éteindre l'outil et le débrancher avant d'installer et de retirer tout accessoire, avant d'ajuster ou de modifier les réglages ou lors de réparations. Un démarrage accidentel peut provoquer des blessures.

1. Saisissez le patin abrasif et le boîtier de la ponceuse (en fixant le patin au boîtier par serrejoint) afin de prévenir la rotation du patin.
2. Tournez l'écrou de retenue du patin (A) Fig. 9 en sens anti-horaire et déposez.
3. Soulevez la grosse rondelle métallique (B) Fig. 9, et le patin abrasif (C) Fig. 9.

REMARQUE : Lorsque le patin abrasif (C) Fig. 9 est soulevé de la ponceuse, le disque d'appui abrasif (A) Fig. 10, est exposé. Il convient de remarquer que ce disque d'appui est également recouvert d'un matériau abrasif. Ce matériau abrasif sert UNIQUEMENT à empêcher le « glissement » entre le disque d'appui et le patin abrasif à dos en mousse, il NE CONVIENT PAS à usage comme abrasif de ponçage. **N'UTILISEZ PAS LA PONCEUSE SANS PATIN ABRASIF APPROPRIÉ EN PLACE.**

4. Placez le nouveau patin abrasif sur le disque d'appui, en vous assurant que le trou central du disque abrasif est centré sur le moyeu (B) Fig. 10, du disque d'appui.
5. Placez la grosse rondelle métallique (B) Fig. 9 et l'écrou de retenue (A) Fig. 9, sur la ponceuse.
6. Tournez l'écrou de retenue en sens horaire pour serrer à la main (tout en tenant le patin abrasif de la manière décrite à l'étape 1)



TRANSPORT ET STOCKAGE

Garder la ponceuse de murs secs au sec durant le transport et le stockage. Protéger le patin abrasif. Le contact avec un autre objet peut déformer le patin, le causant au sable inégalement. Si vous ne pouvez pas protéger le patin pendant le transport ou l'emmagasinage, enlevez et l'emmagasiner l'emmagasine séparément.

DEPANNAGE

Pour obtenir de l'aide au sujet de l'outil, consulter notre site Web www.deltaportercable.com pour obtenir une liste des centres de réparation ou composer le (888) 848-5175 pour le service à la clientèle de PORTER-CABLE.

ENTRETIEN

▲ AVERTISSEMENT : Pour réduire le risque de blessures corporelles graves, éteindre l'outil et le débrancher avant d'installer et de retirer tout accessoire, avant d'ajuster ou de modifier les réglages ou lors de réparations. Un démarrage accidentel peut provoquer des blessures.

▲ AVERTISSEMENT : **TOUJOURS PORTER DES LUNETTES DE SÉCURITÉ.** Les lunettes ordinaires ne constituent PAS des lunettes de sécurité. Utiliser également un masque facial ou antipoussière si l'opération de découpe génère de la poussière. TOUJOURS porter un équipement de protection homologué :

- protection oculaire conforme à la norme ANSI Z87.1 (CAN/CSA Z94.3);
- protection auditive conforme à la norme ANSI S12.6 (S3.19);
- protection des voies respiratoires conforme aux normes NIOSH/OSHA.

RÉPARATIONS

Pour obtenir de l'aide au sujet de l'outil, consulter notre site Web www.deltaportercable.com pour obtenir une liste des centres de réparation ou composer le 888-848-5175 pour le service à la clientèle de PORTER-CABLE.

NETTOYAGE

▲ AVERTISSEMENT : Nous recommandons de suivre une procédure d'entretien, à savoir, d'enlever périodiquement la poussière et les éclats du carter de moteur à l'aide d'air comprimé sec et propre. Pour réduire le risque de blessures corporelles graves, TOUJOURS porter des lunettes de sécurité ANSI Z87.1 au moment d'utiliser l'air comprimé.

▲ AVERTISSEMENT : Lors du nettoyage des pièces de plastique, utiliser uniquement du savon doux et un chiffon humide. Bon nombre de nettoyants domestiques renferment des produits chimiques pouvant grandement endommager le plastique. En outre, ne pas utiliser d'essence, de térébenthine, de diluant à peinture ou à laque, de liquides pour nettoyage à sec ou tout autre produit semblable qui pourrait endommager gravement les composants en plastique. Ne jamais laisser de liquide pénétrer dans l'outil et NE JAMAIS immerger aucune partie de l'outil dans un liquide.

DÉMARRAGE IMPOSSIBLE

Si l'outil ne démarre pas, s'assurer que les lames de la fiche du cordon d'alimentation sont bien enfoncées dans la prise de courant. Vérifier également que les fusibles ne sont pas grillés ou que le disjoncteur ne s'est pas déclenché.

LUBRICATION

L'outil a été lubrifié avec une quantité suffisante de lubrifiant de haute qualité pour la durée de vie de celui-ci sous des conditions d'utilisation normale. Aucune lubrification supplémentaire n'est nécessaire.

INSPECTION DE LA BROSSSE

Pour votre propre sécurité et une bonne protection électrique, l'inspection et le remplacement de la brosse de l'outil doivent être exécutés UNIQUEMENT à un CENTRE DE RÉPARATION AUTORISÉ ou un CENTRE DE RÉPARATION DE L'USINE de PORTER-CABLE.

Après 100 heures environ d'utilisation, apporter ou envoyer l'outil au centre de réparation autorisé PORTER-CABLE le plus proche pour un nettoyage et une inspection approfondis. Faire remplacer les pièces usées et lubrifier avec un lubrifiant neuf. Faire installer de nouvelles brosses et tester le rendement de l'outil.

Toute perte de puissance avant ce point d'entretien pourrait indiquer la nécessité d'un entretien immédiat de l'outil. NE PAS FAIRE FONCTIONNER L'OUTIL DANS CET ÉTAT. Si le problème persiste en présence d'une tension normale, retourner l'outil à un centre de réparation pour un entretien immédiat.

RÉPARATION

PIÈCES DE RECHANGE

Utiliser seulement des pièces de rechange identiques. Pour obtenir une liste des pièces de rechange ou pour en commander, consulter notre site Web au www.deltaportercableservicenet.com. Il est aussi possible de commander des pièces auprès d'une succursale d'usine ou un centre de réparation sous garantie autorisé ou en communiquant avec le service à la clientèle au 1-888-848-5175 pour recevoir un soutien personnalisé de l'un de nos représentants bien formés.

ENTRETIEN ET RÉPARATION

Tous les outils de qualité finissent par demander un entretien ou un changement de pièce. Pour de plus amples renseignements à propos de PORTER-CABLE, ses succursales d'usine ou pour trouver un centre de réparation sous garantie autorisé, consulter notre site Web au www.deltaportercable.com ou communiquer avec notre service à la clientèle au 1-888-848-5175. Toutes les réparations effectuées dans nos centres de réparation sont entièrement garanties contre les défauts de matériaux et de main-d'œuvre. Nous ne pouvons garantir les réparations effectuées en partie ou totalement par d'autres. En composant ce numéro à toute heure du jour ou de la nuit, il est également possible de trouver les réponses aux questions les plus courantes.

Pour de plus amples renseignements par courrier, écrire à PORTER-CABLE, 4825 Highway 45 North, Jackson, Tennessee 38305, É.-U. – à l'attention de : Product Service. S'assurer d'indiquer toutes les informations figurant sur la plaque signalétique de l'outil (numéro du modèle, type, numéro de série, etc.).

ACCESSOIRES

▲ AVERTISSEMENT : Puisque les accessoires autres que ceux offerts par PORTER-CABLE n'ont pas été testés avec ce produit, l'utilisation de ceux-ci pourrait s'avérer dangereux. Pour un fonctionnement en toute sécurité, utiliser seulement les accessoires recommandés PORTER-CABLE avec le produit.

Une gamme complète d'accessoires est disponible auprès de votre fournisseur PORTER-CABLE, centres de réparation de l'usine PORTER-CABLE et centres de réparation agréés PORTER-CABLE. Veuillez consulter le site Web www.deltaportercable.com pour un catalogue ou le nom du fournisseur le plus près de chez vous.

GARANTIE

PORTER-CABLE réparera, sans frais, tout produit défectueux causé par un défaut de matériel ou de fabrication pour une période de trois ans à compter de la date d'achat. La présente garantie ne couvre pas les pièces dont la défectuosité a été causée par une usure normale ou l'usage abusif de l'outil. Pour obtenir de plus amples renseignements sur les pièces ou les réparations couvertes par la présente garantie, visiter le site www.deltaportercable.com ou composer le (888) 848-5175. Cette garantie ne s'applique pas aux accessoires et ne vise pas les dommages causés par des réparations effectuées par un tiers. Cette garantie confère des droits légaux particuliers à l'acheteur, mais celui-ci pourrait aussi bénéficier d'autres droits variant d'un état ou d'une province à l'autre.

En plus de la présente garantie, les outils PORTER-CABLE sont couverts par notre :

CONTRAT D'ENTRETIEN GRATUIT D'UN AN: PORTER-CABLE entretiendra l'outil et remplacera les pièces usées au cours d'une utilisation normale et ce, gratuitement, pendant une période d'un an à compter de la date d'achat, et la.

GARANTIE DE REMBOURSEMENT DE 90 JOURS: Si l'acheteur n'est pas entièrement satisfait, pour quelque raison que ce soit, du rendement de l'outil électrique ou de la cloueuse PORTER-CABLE, celui-ci peut le retourner, accompagné d'un reçu, dans les 90 jours à compter de la date d'achat, pour obtenir un remboursement intégral, sans aucun problème.

AMÉRIQUE LATINE : Cette garantie ne s'applique aux produits vendus en Amérique latine. Pour ceux-ci, veuillez consulter les informations relatives à la garantie spécifique présente dans l'emballage, appeler l'entreprise locale ou consulter le site Web pour les informations relatives à cette garantie.

Pour enregistrer l'outil en vue d'obtenir un service de garantie, consulter notre site Web au www.deltaportercable.com.

REEMPLACEMENT GRATUIT DE L'ETIQUETTE

Si les étiquettes d'avertissement deviennent illisibles ou sont manquantes, composer le (888) 848-5175 pour en obtenir le remplacement gratuit.

**Model 7800 9" (230mm) Dry Wall Sander
Variable Speed**

⚠ WARNING To reduce the risk of injury, user must read and understand instruction manual. Always use proper eye and respiratory protection.

⚠ ADVERTENCIA Para disminuir el riesgo de lesiones, el usuario deberá leer y comprender el manual de instrucciones. Siempre se deberá llevar la protección apropiada para la vista y para las vías respiratorias.

⚠ AVERTISSEMENT Afin de minimiser les risques de blessures, l'utilisateur doit toujours lire et comprendre le guide d'utilisation. Il faut toujours porter de l'équipement de protection oculaire et respiratoire approprié.

⚠ WARNING

**DO NOT REMOVE
GROUND PIN FROM
PLUG**

⚠ WARNING

**DO NOT REMOVE
GROUND PIN FROM
PLUG**

⚠ ADVERTENCIA

**NO quite el terminal
de conexión a tierra
del enchufe**

⚠ AVERTISSEMENT

**NE retirez pas la
broche de mise à la
terre de la fiche**

Manual de Instrucciones

Lijadora para Paredes en Seco



MODELO 7800
MODELO 7801

¡IMPORTANTE!

Asegúrese de que la persona que va a usar esta herramienta lea cuidadosamente y comprenda estas instrucciones antes de impezar a operarla.

Para obtener más información sobre PORTER-CABLE, visite nuestro sitio web en:
<http://www.deltaportercable.com>

La placa de Modelo y de Número de Serie está localizada en la caja principal de la herramienta. Anote estos números en las líneas de abajo y guárdelos para su referencia en el futuro.

Número de modelo _____

Tipo _____

Número de serie _____

PORTER-CABLE®

INSTRUCCIONES DE SEGURIDAD IMPORTANTES

▲ ADVERTENCIA: Lea a todas advertencias y las instrucciones operadoras antes de utilizar cualquier instrumento o el equipo. Cuando se usa instrumentos o equipo, las precauciones básicas de la seguridad siempre se deben seguir para reducir el riesgo de la herida personal. La operación impropia, la conservación o la modificación de instrumentos o equipo podrían tener como resultado el daño grave de la herida y la propiedad. Hay ciertas aplicaciones para que equipas con herramienta y el equipo se diseña. La PORTER-CABLE recomienda totalmente que este producto no sea modificado y/o utilizado para ninguna aplicación de otra manera que para que se diseñó.

Si usted tiene cualquiera pregunta el pariente a su aplicación no utiliza el producto hasta que usted haya escrito PORTER-CABLE y nosotros lo hemos aconsejado.

La forma en línea del contacto en www.deltaportercable.com
El Correo Postal: Technical Service Manager - PORTER-CABLE
4825 Highway 45 North
Jackson, TN 38305

INFORMACIÓN CON RESPECTO A LA OPERACIÓN SEGURA Y APROPIADA DE ESTE INSTRUMENTO ESTÁ DISPONIBLE DE LAS FUENTES SIGUIENTES:

Power Tool Institute
1300 Sumner Avenue, Cleveland, OH 44115-2851
www.powertoolinstitute.org

National Safety Council
1121 Spring Lake Drive, Itasca, IL 60143-3201

American National Standards Institute
25 West 43rd Street, 4 floor
New York, NY 10036 www.ansi.org
ANSI 01.1 Safety Requirements for Woodworking Machines

The U.S. Department of Labor regulations www.osha.gov

PAUTAS DE SEGURIDAD/DEFINICIONES

Es importante para usted leer y entender este manual. La información que lo contiene relaciona a proteger SU SEGURIDAD y PREVENIR los PROBLEMAS. Los símbolos debajo de son utilizados para ayudarlo a reconocer esta información.



▲ PELIGRO: Indica una situación de peligro inminente que, si no se evita, **provocará la muerte o lesiones graves.**

▲ ADVERTENCIA: Indica una situación de peligro potencial que, si no se evita, **podría provocar la muerte o lesiones graves.**

▲ ATENCIÓN: Indica una situación de peligro potencial que, si no se evita, **puede provocar lesiones leves o moderadas.**

ATENCIÓN: Utilizado sin el símbolo de alerta de seguridad indica una situación de peligro potencial que, si no se evita, **puede provocar daños en la propiedad.**

NORMAS GENERALES DE SEGURIDAD



⚠ ADVERTENCIA: Para reducir el riesgo de lesiones, lea el manual de instrucciones.

ADVERTENCIAS GENERALES DE SEGURIDAD PARA HERRAMIENTAS ELÉCTRICAS

⚠ ADVERTENCIA: Lea todas las advertencias de seguridad e instrucciones. El incumplimiento de las advertencias e instrucciones puede provocar descargas eléctricas, incendios o lesiones graves.

CONSERVE TODAS LAS ADVERTENCIAS E INSTRUCCIONES PARA FUTURAS CONSULTAS

El término “herramienta eléctrica” incluido en las advertencias hace referencia a las herramientas eléctricas operadas con corriente (con cable eléctrico) o a las herramientas eléctricas operadas con baterías (inalámbricas).

1) SEGURIDAD EN EL ÁREA DE TRABAJO

- Mantenga el área de trabajo limpia y bien iluminada.** Las áreas abarrotadas y oscuras propician accidentes.
- No opere las herramientas eléctricas en atmósferas explosivas, como ambientes donde haya polvo, gases o líquidos inflamables.** Las herramientas eléctricas originan chispas que pueden encender el polvo o los vapores.
- Mantenga alejados a los niños y a los espectadores de la herramienta eléctrica en funcionamiento.** Las distracciones pueden provocar la pérdida de control.

2) SEGURIDAD ELÉCTRICA

- Los enchufes de la herramienta eléctrica deben adaptarse al tomacorriente. Nunca modifique el enchufe de ninguna manera. No utilice ningún enchufe adaptador con herramientas eléctricas con conexión a tierra.** Los enchufes no modificados y que se adaptan a los tomacorrientes reducirán el riesgo de descarga eléctrica.
- Evite el contacto corporal con superficies con descargas a tierra como, por ejemplo, tuberías, radiadores, cocinas eléctricas y refrigeradores.** Existe mayor riesgo de descarga eléctrica si su cuerpo está puesto a tierra.
- No exponga las herramientas eléctricas a la lluvia o a condiciones de humedad.** Si entra agua a una herramienta eléctrica, aumentará el riesgo de descarga eléctrica.
- No maltrate el cable. Nunca utilice el cable para transportar, tirar o desenchufar la herramienta eléctrica. Mantenga el cable alejado del calor, el aceite, los bordes filosos y las piezas móviles.** Los cables dañados o enredados aumentan el riesgo de descarga eléctrica.
- Al operar una herramienta eléctrica en el exterior, utilice un cable prolongador adecuado para tal uso.** Utilice un cable adecuado para uso en exteriores a fin de reducir el riesgo de descarga eléctrica.
- Si el uso de una herramienta eléctrica en un lugar húmedo es imposible de evitar, utilice un suministro protegido con un interruptor de circuito por falla a tierra (GFCI).** El uso de un GFCI reduce el riesgo de descargas eléctricas.

3) SEGURIDAD PERSONAL

- Permanezca alerta, controle lo que está haciendo y utilice el sentido común cuando emplee una herramienta eléctrica. No utilice una herramienta eléctrica si está cansado o bajo el efecto de drogas, alcohol o medicamentos.** Un momento de descuido mientras se opera una herramienta eléctrica puede provocar lesiones personales graves.
- Utilice equipos de protección personal. Siempre utilice protección para los ojos.** En las condiciones adecuadas, el uso de equipos de protección, como máscaras para polvo, calzado de seguridad antideslizante, cascos o protección auditiva, reducirá las lesiones personales.

NORMAS GENERALES DE SEGURIDAD (continuación)

- c) **Evite el encendido por accidente. Asegúrese de que el interruptor esté en la posición de apagado antes de conectarlo a la fuente de energía o paquete de baterías, o antes de levantar o transportar la herramienta.** Transportar herramientas eléctricas con el dedo apoyado en el interruptor o enchufar herramientas eléctricas con el interruptor en la posición de encendido puede propiciar accidentes.
- d) **Retire la clavija de ajuste o la llave de tuercas antes de encender la herramienta eléctrica.** Una llave de tuercas o una clavija de ajuste que quede conectada a una pieza giratoria de la herramienta eléctrica puede provocar lesiones personales.
- e) **No se estire. Conserve el equilibrio y párese adecuadamente en todo momento.** Esto permite un mejor control de la herramienta eléctrica en situaciones inesperadas.
- f) **Use la vestimenta adecuada. No use ropas holgadas ni joyas. Mantenga el cabello, la ropa y los guantes alejados de las piezas en movimiento.** Las ropas holgadas, las joyas o el cabello largo pueden quedar atrapados en las piezas en movimiento.
- g) **Si se suministran dispositivos para la conexión de accesorios con fines de recolección y extracción de polvo, asegúrese de que estén conectados y que se utilicen correctamente.** El uso de dispositivos de recolección de polvo puede reducir los peligros relacionados con el polvo.

4) USO Y MANTENIMIENTO DE LA HERRAMIENTA ELÉCTRICA

- a) **No fuerce la herramienta eléctrica. Utilice la herramienta eléctrica correcta para el trabajo que realizará.** Si se la utiliza a la velocidad para la que fue diseñada, la herramienta eléctrica correcta permite trabajar mejor y de manera más segura.
- b) **No utilice la herramienta eléctrica si no puede encenderla o apagarla con el interruptor.** Toda herramienta eléctrica que no pueda ser controlada mediante el interruptor es peligrosa y debe repararse.
- c) **Desconecte el enchufe de la fuente de energía o el paquete de baterías de la herramienta eléctrica antes de realizar ajustes, cambiar accesorios o almacenar la herramienta eléctrica.** Estas medidas de seguridad preventivas reducen el riesgo de encender la herramienta eléctrica en forma accidental.
- d) **Guarde la herramienta eléctrica que no esté en uso fuera del alcance de los niños y no permita que otras personas no familiarizadas con ella o con estas instrucciones operen la herramienta.** Las herramientas eléctricas son peligrosas si son operadas por usuarios no capacitados.
- e) **Realice el mantenimiento de las herramientas eléctricas. Revise que no haya piezas en movimiento mal alineadas o trabadas, piezas rotas o cualquier otra situación que pueda afectar el funcionamiento de la herramienta eléctrica. Si encuentra daños, haga reparar la herramienta eléctrica antes de utilizarla.** Se producen muchos accidentes a causa de las herramientas eléctricas que carecen de un mantenimiento adecuado.
- f) **Mantenga las herramientas de corte afiladas y limpias.** Las herramientas de corte con mantenimiento adecuado y con los bordes de corte afilados son menos propensas a trabarse y son más fáciles de controlar.
- g) **Utilice la herramienta eléctrica, los accesorios y las brocas de la herramienta, etc. de acuerdo con estas instrucciones y teniendo en cuenta las condiciones de trabajo y el trabajo que debe realizarse.** El uso de la herramienta eléctrica para operaciones diferentes de aquéllas para las que fue diseñada podría originar una situación peligrosa.

5) MANTENIMIENTO

- a) **Solicite a una persona calificada en reparaciones que realice el mantenimiento de su herramienta eléctrica y que sólo utilice piezas de repuesto idénticas.** Esto garantizará la seguridad de la herramienta eléctrica.

NORMAS ESPECÍFICAS DE SEGURIDAD

ADVERTENCIAS DE SEGURIDAD COMUNES PARA TODAS LAS OPERACIONES DE ESMERILADO, LIJADO, CEPILLADO CON CEPILLO DE ALAMBRE Y PULIDO, Y PARA OPERACIONES DE CORTE ABRASIVO:

- a) **Esta herramienta eléctrica funciona como lijadora.** Lea todas las advertencias de seguridad, instrucciones, ilustraciones y especificaciones provistas con esta herramienta eléctrica. El incumplimiento de todas las instrucciones enumeradas a continuación puede provocar una descarga eléctrica, un incendio o lesiones graves.
- b) **No se recomienda realizar operaciones de esmerilado, pulidora, cepillado con cepillo de alambre o corte con esta herramienta eléctrica.** El uso de la herramienta eléctrica para las operaciones para las que no fue diseñada puede provocar un riesgo y causar lesiones personales.
- c) **No utilice accesorios que no estén diseñados y recomendados específicamente por el fabricante de la herramienta.** El hecho que el accesorio pueda conectarse a la herramienta eléctrica no garantiza un funcionamiento seguro.
- d) **La velocidad nominal del accesorio debe ser equivalente a la velocidad máxima indicada en la herramienta eléctrica, como mínimo.** Los accesorios que funcionen más rápido que su VELOCIDAD NOMINAL pueden romperse y desprenderse.
- e) **El diámetro externo y el grosor del accesorio deben estar dentro del rango de capacidad de la herramienta eléctrica.** Los accesorios de tamaño incorrecto no pueden protegerse ni controlarse adecuadamente.
- f) **El tamaño del eje de los discos, las bridas, las almohadillas de respaldo y cualquier otro accesorio debe adaptarse correctamente al eje de la herramienta eléctrica.** Los accesorios con orificios que no coincidan con el sistema de montaje de la herramienta eléctrica se desequilibrarán, vibrarán excesivamente y pueden producir la pérdida de control de la herramienta.
- g) **No utilice un accesorio dañado.** Inspeccione el accesorio antes de cada uso; por ejemplo, el disco abrasivo para verificar que no tenga astillas ni grietas; la almohadilla de respaldo para detectar si hay grietas, desprendimientos o desgaste excesivo y el cepillo de alambre para ver si tiene alambres sueltos o quebrados. Si la herramienta eléctrica o el accesorio sufre una caída, inspeccione para ver si hay daños o instale un accesorio en buen estado. Después de inspeccionar e instalar un accesorio, ubíquese y ubique a los espectadores lejos del plano del accesorio giratorio y haga funcionar la herramienta a velocidad máxima sin carga durante un minuto. Los accesorios dañados generalmente se romperán durante esta prueba.
- h) **Utilice equipos de protección personal.** Según la aplicación, debe usar protector facial, anteojos de seguridad o lentes de seguridad. Según corresponda, utilice máscara para polvo, protectores auditivos, guantes y delantal de taller para protegerse de los pequeños fragmentos abrasivos y de los fragmentos de la pieza de trabajo. La protección para los ojos debe ser capaz de detener los residuos volátiles que se generan en las diferentes operaciones. La máscara para polvo o respirador debe ser capaz de filtrar las partículas generadas por el funcionamiento de la herramienta. La exposición prolongada al ruido intenso puede provocar pérdida de la audición.
- i) **Mantenga a los espectadores a una distancia segura del área de trabajo.** Toda persona que ingrese al área de trabajo debe utilizar equipos de protección personal. Los fragmentos de una pieza de trabajo o de un accesorio roto pueden volar y provocar lesiones más allá del área de operaciones cercana.
- j) **Cuando realice una operación en que el accesorio de corte pueda tocar cables eléctricos ocultos o su propio cable, sostenga la herramienta solamente por las superficies de agarre aisladas.** El contacto con un cable con “corriente eléctrica” hará que las partes metálicas expuestas de la herramienta también tengan “corriente eléctrica” y el operador sufra una descarga.
- k) **Coloque el cable lejos del accesorio giratorio.** Si pierde el control de la herramienta, el cable puede cortarse o enredarse y jalarle la mano o el brazo hacia el accesorio giratorio.
- l) **Nunca apoye la herramienta hasta que el accesorio se haya detenido completamente.** El accesorio giratorio puede enganchar la superficie y producir la pérdida de control de la herramienta.

- m) **No haga funcionar la herramienta eléctrica mientras la carga a su lado.** El contacto accidental con el accesorio giratorio puede hacer que éste se le enganche en la ropa y lance el accesorio hacia su cuerpo.
- n) **Limpie periódicamente los orificios de ventilación de la herramienta eléctrica.** El ventilador del motor atraerá el polvo dentro de la cubierta, y la acumulación excesiva de polvo metálico puede producir riesgos eléctricos.
- o) **No use la herramienta eléctrica cerca de materiales inflamables.** Las chispas pueden encender estos materiales.
- p) **No utilice accesorios que requieran refrigerantes líquidos.** El uso de agua u otros refrigerantes líquidos puede producir una electrocución o descarga eléctrica.

ADVERTENCIAS SOBRE EL RETROCESO

El retroceso es una reacción repentina al pellizco o atascamiento de un disco giratorio, una almohadilla de respaldo, un cepillo o cualquier otro accesorio. El pellizco o el atascamiento hacen que el accesorio giratorio se trabe rápidamente, lo que a su vez provoca que la herramienta eléctrica fuera de control vaya en sentido opuesto al giro del accesorio en el punto del atascamiento.

Por ejemplo, si la pieza de trabajo atasca o pellizca la almohadilla de respaldo, el borde de la almohadilla que ingresa en el punto de pliegue puede clavarse en la superficie del material y provocar que el disco salte o se desenganche. El disco puede saltar hacia el operador o en sentido contrario, según la dirección del movimiento del disco en el punto de pellizco.

El retroceso es el resultado de un mal uso de la herramienta o de condiciones o procedimientos operativos incorrectos y se puede evitar tomando las precauciones apropiadas que se indican a continuación.

- a) **Sostenga la herramienta eléctrica con firmeza y ubique el cuerpo y el brazo para poder resistir las fuerzas de retroceso.** Siempre utilice el mango lateral, en caso de tenerlo, para lograr el máximo control sobre el retroceso o la reacción de torsión durante el encendido. El operador puede controlar la reacción de torsión o las fuerzas de retroceso si toma las precauciones adecuadas.
- b) **Nunca coloque la mano cerca del accesorio giratorio,** ya que éste puede hacer un retroceso sobre la mano.
- c) **No ubique el cuerpo en el área hacia donde la herramienta eléctrica se desplazará si se produce un retroceso.** El retroceso impulsará la herramienta en la dirección opuesta al movimiento del disco en el punto de atascamiento.
- d) **Tenga especial cuidado al trabajar en esquinas, bordes filosos, etc.** Evite hacer rebotar o enganchar el accesorio. Las esquinas, los bordes filosos y el rebote tienden a enganchar el accesorio giratorio y producir la pérdida de control o el retroceso de la unidad.
- e) **No conecte una hoja para carpintería para sierra de cadena ni una hoja de sierra dentada.** Estas hojas puede producir el retroceso y la pérdida de control frecuentes.

ADVERTENCIAS DE SEGURIDAD ESPECÍFICAS PARA OPERACIONES DE LIJADO:

- a) **No utilice papel para disco de lijar con sobreespesor excesivo.** Siga las recomendaciones del fabricante al seleccionar el papel de lija. Los papeles de lija más grandes que sobrepasan la almohadilla de lijado representan un peligro de laceración y pueden provocar el retroceso o que el disco se enganche o se rompa.

CABLE

Para garantizar la seguridad, un cable prolongador debe tener un tamaño de cable adecuado (AWG o Calibre de conductor de Estados Unidos). Cuanto más pequeño sea el número de calibre del conductor, mayor será la capacidad del cable; es decir, un calibre 16 tiene más capacidad que un calibre 18. Un alargador de menor calibre causará una caída en el voltaje de la línea lo que resultará en pérdida de potencia y sobrecalentamiento. Cuando se utiliza más de una prolongación para lograr la longitud total, asegúrese de que cada prolongación tenga la medida mínima del conductor. El siguiente cuadro muestra el tamaño correcto a utilizar, dependiendo del largo del cable y el amperaje nominal. En caso de duda, utilice el de mayor calibre. Mientras menor el número del calibre, mayor la capacidad del cable.

Calibre mínimo para juegos de cables						
Capacidad nominal en amperios		Voltios	Largo total del cable en metros (en pies)			
		120V	7,6 (25)	15,2 (50)	30,5 (100)	45,7 (150)
		240V	15,2 (50)	30,5 (100)	61,0 (200)	91,4 (300)
Desde	Hasta	AWG				
0	6		18	16	16	14
6	10		18	16	14	12
10	12		16	16	14	12
12	16		14	12	No recomendado	

▲ ADVERTENCIA: Parte del polvo producido por las herramientas eléctricas al lijar, aserrar, esmerilar, taladrar y realizar otras actividades de construcción contiene productos químicos reconocidos por el Estado de California como causantes de cáncer, defectos de nacimiento u otros problemas reproductivos. Algunos ejemplos de estos productos químicos son:

- el plomo de las pinturas de base plomo,
- la sílice cristalina de los ladrillos, el cemento y otros productos de mampostería, y
- el arsénico y el cromo de la madera con tratamiento químico.

El riesgo derivado de la exposición a estos productos químicos varía según la frecuencia con la que se realice este tipo de trabajo. Para reducir su exposición, trabaje en áreas bien ventiladas y use equipos de seguridad aprobados, como las máscaras para polvo especialmente diseñadas para filtrar las partículas microscópicas.

▲ ADVERTENCIA: Evite el contacto prolongado con el polvo originado al lijar, aserrar, esmerilar, taladrar y otras actividades constructivas. Vista ropas protectoras y lave las áreas expuestas con jabón y agua. Permitir al polvo introducirse en su boca u ojos, o dejarlo sobre la piel, puede promover la absorción de químicos peligrosos.

▲ ADVERTENCIA: La utilización de esta herramienta puede originar polvo o dispersarlo, lo que podría causar daños graves y permanentes al sistema respiratorio, así como otras lesiones. Siempre use protección respiratoria aprobada por NIOSH/OSHA/MSHA, apropiada para su uso en condiciones de exposición al polvo. Procure que las partículas no se proyecten directamente sobre su rostro o su cuerpo.

▲ ADVERTENCIA: Durante el uso, use SIEMPRE protección auditiva adecuada que cumpla con la norma ANSI S12.6 (S3.19). Bajo ciertas circunstancias y según el período de uso, el ruido producido por este producto puede contribuir a la pérdida de audición.

▲ ADVERTENCIA: SIEMPRE USE ANTEOJOS DE SEGURIDAD. (ANSI Z87.1) or (CAN/CSA Z94.3). Los anteojos de uso diario NO son anteojos de seguridad. Utilice también máscaras faciales o para polvo si el corte produce polvillo. UTILICE SIEMPRE EQUIPO DE SEGURIDAD CERTIFICADO:

- Protección para la vista según la norma ANSI Z87.1 (CAN/CSA Z94.3)
- Protección auditiva según la norma ANSI S12.6 (S3.19)
- Protección respiratoria según las normas NIOSH/OSHA

SÍMBOLOS

La etiqueta de su herramienta puede incluir los siguientes símbolos. Los símbolos y sus definiciones son los siguientes:

V..... voltios	A.....amperios
Hzhertz	W.....vatios
minminutos	~corriente alterna
== corriente directa	⋈ corriente alterna o directa
Ⓜ Construcción Clase I (con conexión a tierra)	n ₀ velocidad sin carga
Ⓜ Construcción Clase II (con aislamiento doble)	Ⓜ terminal a tierra
RPM..... revoluciones o reciprocidad por minuto	▲ símbolo de alerta de seguridad
	.../minpor minuto
	BPMgolpes por minuto
	OPM.....órbitas por minuto

MOTOR

Asegúrese de que el suministro de energía concuerde con lo marcado en la placa. 120 voltios CA significa que la herramienta funcionará con corriente alterna. Un 10% menos de voltaje puede provocar pérdida de potencia y resultar en el recalentamiento de la herramienta. Todas las herramientas PORTER-CABLE son probadas en fábrica; si esta herramienta no funciona, controle el suministro eléctrico.

▲ ADVERTENCIA: Los accesorios deben estar clasificados para la velocidad recomendada en la etiqueta de advertencia de la herramienta, como mínimo. Los accesorios que funcionen por encima de su velocidad nominal pueden desarmarse y provocar lesiones. La velocidad nominal de los accesorios debe ser siempre superior a la velocidad de la herramienta, indicada en la placa de ésta.

▲ ADVERTENCIA: Para reducir el riesgo de lesiones personales graves, apague la herramienta y desconéctela de la fuente de alimentación antes de instalar y retirar accesorios, ajustar o cambiar configuraciones o realizar reparaciones. Un arranque accidental podría causar lesiones.

CONSERVE ESTAS INSTRUCCIONES

LA SEGURIDAD ADICIONAL GOBIERNA PARA LA ELIMINACION DE PINTURA

1. NO SE RECOMIENDA lijar pintura con base plomo debido a la dificultad para controlar el polvo contaminado. El peligro de envenenamiento por plomo es más importante para los niños y las mujeres embarazadas.
2. Como es difícil identificar si una pintura contiene o no plomo sin realizar análisis químicos, recomendamos tomar las siguientes precauciones al lijar cualquier pintura:

SEGURIDAD PERSONAL

1. Ningún niño o mujer embarazada debe ingresar al área de trabajo donde se lija la pintura hasta que se haya terminado la limpieza final.
2. Todas las personas que ingresan al área de trabajo deben usar una máscara para polvo o una mascarilla de respiración. El filtro se debe cambiar diariamente o cada vez que el usuario tenga dificultad para respirar. Consulte en la ferretería local cuál es la máscara para polvo adecuada, aprobada por el NIOSH.
3. NO SE DEBE COMER, BEBER O FUMAR en el área de trabajo para evitar ingerir partículas de pintura contaminada. Los trabajadores se deben lavar y limpiar ANTES de comer, beber o fumar. No se deben dejar artículos para comer, beber o fumar en el área de trabajo donde se podría depositar polvo sobre ellos.

SEGURIDAD AMBIENTAL

1. La pintura debe ser retirada de forma tal de reducir al mínimo la cantidad de polvo generado.
2. Las áreas donde se realiza remoción de pintura deben estar selladas con hojas de plástico de 0,10 mm (4 milésimas de pulgada) de espesor.
3. El lijado se debe realizar de manera de reducir los vestigios de polvo de pintura fuera del área de trabajo.

LIMPIEZA Y ELIMINACIÓN

1. Todas las superficies del área de trabajo deben ser limpiadas cuidadosamente y repasadas con aspiradora todos los días mientras dure el proyecto de lijado. Se deben cambiar con frecuencia las bolsas de filtro de la aspiradora.
2. Las telas plásticas del piso se deben recoger y eliminar junto con cualquier resto de polvo u otros residuos del lijado. Deben colocarse en recipientes de desperdicios sellados y eliminarse por medio de los procedimientos normales de recolección de residuos. Durante la limpieza, los niños y las mujeres embarazadas deben mantenerse lejos del área de trabajo inmediata.
3. Todos los juguetes, muebles lavables y utensilios utilizados por los niños deben ser lavados cuidadosamente antes de ser utilizados nuevamente.

GUARDE ESTAS INSTRUCCIONES

CONTENIDO DE CARTON

Lijadora para Paredes en Seco
Manual de instrucción

DESCRIPCIÓN FUNCIONAL

PROLOGO

La Lijadora para Paredes en Seco de PORTER-CABLE fue diseñada para lijar paredes y cielos construidos de paneles en seco o yeso. La Lijadora da un acabado superior que es más rápido que los métodos convencionales de acabar (tanto para la construcción nueva así como para las renovaciones). El tiempo de limpieza para el **modelo 7800** se minimiza utilizando una aspiradora externa acoplada a la lijadora

ASAMBLEA

NOTA: Este instrumento se envía reunido completamente. Ningún tiempo de la asamblea ni instrumentos se requieren.

PARA ESCOGER EL DISCO ABRASIVO

La lijadora para panel de yeso ya viene con un disco abrasivo. Para obtener detalles sobre el tipo de grano, consulte el embalaje del producto. Cuanto mayor es el grano, más liso es el acabado.

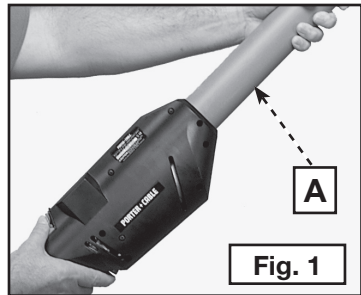
⚠ ATENCIÓN: No intente usar un abrasivo que no esté enumerado en la PORTER-CABLE.

OPERACIÓN

⚠ ADVERTENCIA: Para reducir el riesgo de lesiones personales graves, apague la herramienta y desconéctela de la fuente de alimentación antes de instalar y retirar accesorios, ajustar o cambiar configuraciones o realizar reparaciones. Un arranque accidental podría causar lesiones.

COMO AGARRAR LA LIJADORA PARA PAREDES EN SECO

Tenga la lijadora con ambos entrega en el tubo principal (A) Fig.1. Posicione las manos dondequiera por el tubo principal para proporcionar la mejor combinación del alcance y el apalancamiento.



⚠ ATENCIÓN: Para reducir el riesgo de lesiones, mantenga las manos sobre el Tubo Principal (A) Fig. 1. No meta las manos en el área de la cabeza de lija. La cabeza se gira en una multitud de direcciones y es posible que le pellizque la mano.

CONECTE LA LIJADORA PARA PARED DE TIPO SECO A LA ASPIRADORA

Amueblado con este instrumento son:

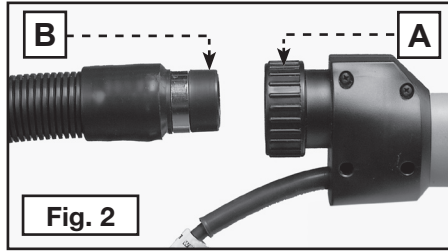
- Una manguera para aspiradora, 13 pies (casi 4 metros) de largo. Incluye un acoplamiento estándar de 3,2 cm (1-1/4 pulg) para aspiradora en un extremo y un acoplamiento giratorio especial en el otro extremo para la Lijadora. También tiene la atracción de disipar las cargas estáticas de electricidad que a veces resultan al aspirar el polvo de las paredes en seco.
- Un adaptador de [3,2 cm (1-1/4 pulg) a 6,4 mm (2-1/2 pulg)] adapta la manguera de al acoplamiento de 6,4 cm (2-1/2 pulg) de la aspiradora.

PARA INSTALAR

1. Para instalar la bolsa especial de polvo en su aspiradora, siga las instrucciones provistas con la aspiradora. Si esta bolsa no se ajusta correctamente a su aspiradora, compre e instale una bolsa de filtro apropiada que tenga una clasificación nominal para el polvo de las paredes en seco.

⚠ ADVERTENCIA: Para reducir el riesgo de lesiones, utilice una bolsa con una clasificación nominal para usar con el polvo de las paredes en seco. Falta de hacer tan aumentará la cantidad de polvo en el aire n el área de trabajo. El exponerse continuamente y prolongadamente a altas concentraciones de polvo en el aire puede afectar el funcionamiento del sistema respiratorio.

2. Conecte la manguera de la aspiradora a la Lijadora para Paredes en Seco: Dando unas dos vueltas a la tuerca grande (A) Fig. 2, en el sentido contrario a las manecillas del reloj, abra el acoplamiento de la manguera de la Lijadora. Meta (empuje) el acoplamiento giratorio de la manguera (B) Fig. 2, en el acoplamiento de la Lijadora para Paredes en Seco y asíntelo firmemente. Dé vuelta a la tuerca grande en el sentido de las manecillas del reloj para apretar el acoplamiento

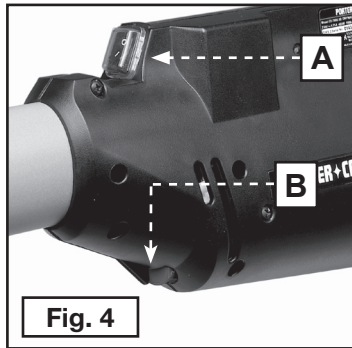


3. Conecte la manguera a la aspiradora: Si es necesario, use el adaptador de 3,2 cm (1-1/4 pulg) a 6,4 cm (2-1/4 pulg). Si su aspiradora requiere un acoplamiento especial (uno que no sea el acoplamiento estándar de 3,2 cm (1-1/4 pulg) a 6,4 (2-1/4 pulg) que está provisto con la Lijadora para Paredes en Seco), póngase en contacto con el suministrador de su aspiradora para obtener el adaptador apropiado.

PARA PONER EN MARCHA Y PARAR LA LIJADORA

Asegúrese de que el voltaje del circuito sea el mismo que el indicado en la placa de especificaciones de la Lijadora y que el interruptor de la Lijadora esté en la posición apagada, “O”. Conecte la Lijadora al circuito eléctrico.

La Lijadora para Paredes en Seco viene con un interruptor de estilo “balancín” (A) Fig. 4. El extremo superior del interruptor está marcado con la palabra “O” (parar), apagada y el inferior tiene la palabra “I” (marcha), prendida. Para poner la Lijadora en marcha, empuje el extremo inferior del interruptor “I”. Para pararla apriete el extremo superior del interruptor “O”.



PARA CONTROLAR LA VELOCIDAD

La lijadora para pared de tipo seco **modelo 7800** está equipada con un control de velocidad variable. Se puede ajustar la velocidad al dar vuelta a la perilla de control (B) Fig. 4. La perilla de control está numerada desde el “1” hasta el “5”. El “1” es para la velocidad más lenta (aproximadamente 1000 rpm) y el “5” da la velocidad más rápida (aproximadamente 2000 rpm).

Use las velocidades altas para quitar material más rápidamente. Use las velocidades bajas para disminuir la rapidez de lijar y para tener un control más preciso. La lijadora para pared de tipo seco **modelo 7801** tiene una velocidad constante de 2,000 rpm.

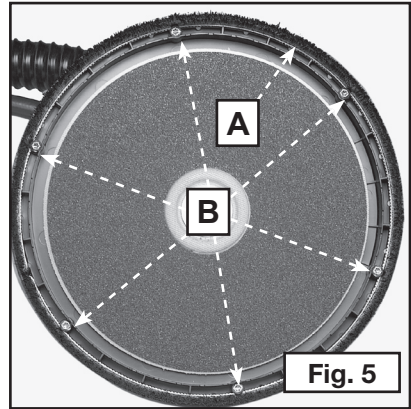
LA FALDA DE CEPILLO

Una falda de tipo escobilla (A) Fig. 5 rodea el cojín abrasivo en el **Modelo 7800**. Esta falda sirve dos propósitos:

- Extiende debajo de la superficie de la almohadilla abrasiva para prevenir el abrasivo de "escopleadura" el trabajo.
- Ayuda a contener el polvo de muro sin cemento hasta que la aspiradora lo tire lejos.

Reemplace la falda si se daña o si se lleva excesivamente. Las faldas del reemplazo están disponibles de cualquier Centro de reparaciones de PORTER-CABLE.

Como el **modelo 7801** no necesita aspiradora, la falda es más corta, pero prevendrá el abrasivo de "escopleadura" el trabajo.



PARA REEMPLAZAR LA FALDA

⚠ ADVERTENCIA: Para reducir el riesgo de lesiones personales graves, apague la herramienta y desconéctela de la fuente de alimentación antes de instalar y retirar accesorios, ajustar o cambiar configuraciones o realizar reparaciones. Un arranque accidental podría causar lesiones.

1. Quite el cojín abrasivo (vea **Para Reemplazar El Cojín Abrasivo.**)
2. Con un destornillador (desarmador) Phillips (de cruz) quite los seis tornillos de retención (B) Fig. 5.
3. Levante y quite la falda de la cabeza de la lijadora.
4. Coloque una falda nueva in la cabeza e instale los seis tornillos de retencion.
5. Reemplace el cojun abrasivo.

PARA LIJAR LAS PAREDES EN SECO

La Lijadora para Paredes en Seco tiene una cabeza única para lijar. La cabeza puede girar en una multitud de direcciones permitiendo que el cojín se conforme a la superficie del trabajo (vea Figs. 6, 7 y 8). Esto permite que el operario lije la parte de arriba, la parte del medio y la de abajo de una pared o unión de cielo (techo) sin cambiar su posición.

1. Ponga el interruptor de la aspiradora en la posición de encendido ("I"). (**Model 7800** solamente).

⚠ ADVERTENCIA: Para reducir el riesgo de lesiones, use un respirador aprobado por NIOSH para el "polvo y la niebla".

2. Ponga la Lijadora para Paredes en Seco en marcha ("I").
3. Coloque la Lijadora ligeramente contra la superficie del trabajo (aplique sólo suficiente presión para alinear la cabeza de lijar con la superficie del trabajo).
4. Aumente la presión para frotar el cojín abrasivo contra la superficie del trabajo mientras traslapa los movimientos de lijar para obtener un canto vivo en el yeso.



Fig. 6



Fig. 7

Aplique **SÓLO** suficiente presión para mantener el cojín abrasivo plano contra el trabajo. .

Mantenga el movimiento de la Lijadora mientras el cojín abrasivo esté en contacto con la superficie del trabajo. Use un movimiento constante y amplio.

Una presión excesiva, parando la Lijadora (en el trabajo) o moviéndola de una manera irregular puede formar remolinos inaceptables y causar irregularidades en la superficie del trabajo.

TOME NOTA: No deje que el cojín giratorio toque salientes agudos. Contacto con estos objetos (tal como los clavos, los tornillos, las cajas de salida y etc.) puede dañar seriamente el cojín abrasivo

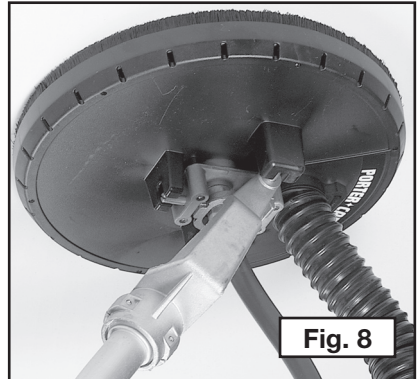


Fig. 8

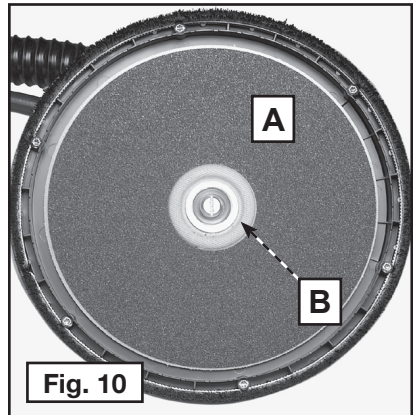
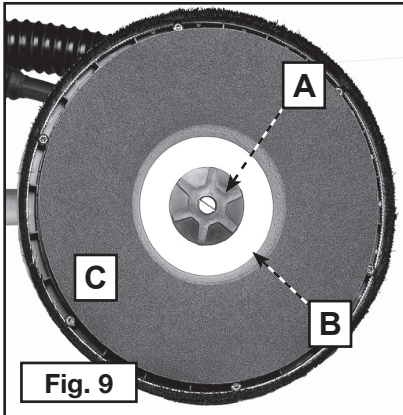
REEMPLAZO ABRASIVO DE ALMOHADILLA

▲ ADVERTENCIA: Para reducir el riesgo de lesiones personales graves, apague la herramienta y desconéctela de la fuente de alimentación antes de instalar y retirar accesorios, ajustar o cambiar configuraciones o realizar reparaciones. Un arranque accidental podría causar lesiones.

1. Agarre el cojín abrasivo y la cabeza de lijar para que el cojín no gire.
2. Destornille la tuerca de retención del cojín (A) Fig. 9, en el sentido contrario a las manecillas del reloj y remuévala.
3. Quite la arandela grande de metal (B) Fig. 9, y el cojín abrasivo (C) Fig. 9.

TOME NOTA: Al quitar el cojín abrasivo (C) Fig. 9, de la Lijadora; se puede ver un disco de apoyo (A) Fig. 10. Este disco también tiene una superficie abrasiva. Este material abrasivo SOLAMENTE evita el resbalamiento entre este disco y el cojín con respaldo de gomespuma y **NO ES** apropiado para lijar. **NO USE LA LIJADORA SIN QUE UN COJÍN ABRASIVO APROPIADO ESTÉ INSTALADO.**

4. Coloque el nuevo cojín abrasivo sobre el disco de apoyo y asegúrese de que el agujero del cojín esté centrado con el cubo (B) Fig. 10, del disco de apoyo.
5. Coloque la arandela grande de metal (B) Fig. 9, y la tuerca de retención (A) Fig. 9 en la Lijadora.
6. Apriete a mano la tuerca de retención en el sentido de las manecillas del reloj (mientras detiene el cojín como está indicado en el número 1).



TRANSPORTACION Y ALMACENAMIENTO

Mantenga la Lijadora para Paredes en Seco seca durante la trasportación y el almacenamiento. No deje que nada apriete el cojín abrasivo (puede deformarlo y causar una lija (lijada) irregular. Si es imposible proteger el cojín durante la transportación o el almacenamiento, quite el cojín y guárdelo aparte.

LOCALIZACION DE FALLAS

Para obtener ayuda con su herramienta, visite nuestro sitio Web www.deltaportercable.com y obtenga una lista de los centros de mantenimiento, o llame al Centro de atención al cliente de PORTER-CABLE al (888) 848-5175.

MANTENIMIENTO

▲ ADVERTENCIA: Para reducir el riesgo de lesiones personales graves, apague la herramienta y desconéctela de la fuente de alimentación antes de instalar y retirar accesorios, ajustar o cambiar configuraciones o realizar reparaciones. Un arranque accidental podría causar lesiones.

▲ ADVERTENCIA: USE SIEMPRE LENTES DE SEGURIDAD. Los anteojos de uso diario NO son lentes de seguridad. Utilice también máscaras faciales o para polvo si los cortes producen polvillo. Utilice SIEMPRE equipos de seguridad certificados:

- Protección para los ojos según la norma ANSI Z87.1 (CAN/CSA Z94.3)
- Protección auditiva según la norma ANSI S12.6 (S3.19)
- Protección respiratoria según las normas NIOSH/OSHA.

REPARACIONES

Para obtener ayuda con su herramienta, visite nuestro sitio Web en www.PORTER-CABLE.com y obtenga una lista de los centros de mantenimiento o llame a End User Services (Servicios para el usuario final) de PORTER-CABLE al (888) 848-5175.

LIMPIEZA

▲ ADVERTENCIA: Se sugiere, como procedimiento de mantenimiento, soplar aire comprimido seco y limpio, periódicamente, para sacar el polvo y fragmentos de la caja del motor. Para reducir el riesgo de lesión personal grave, SIEMPRE use lentes de seguridad que cumplan con el ANSI Z87.1 al hacer uso del aire comprimido.

▲ ADVERTENCIA: Al realizar la limpieza, use únicamente jabón suave y un paño húmedo en las partes plásticas. Muchos limpiadores para uso doméstico pueden contener sustancias químicas que podrían dañar el plástico considerablemente. Tampoco utilice gasolina, aguarrás, barniz o solvente, líquidos para limpieza en seco o productos similares, que podrían dañar seriamente las piezas de plástico. NUNCA permita que penetre líquido dentro de la herramienta y nunca sumerja las piezas de la herramienta en un líquido.

FALLA EN EL ENCENDIDO

Si la herramienta no enciende, verifique que las patas del enchufe del cable hagan buen contacto en el tomacorriente. Además, revise que no haya fusibles quemados o interruptores automáticos de circuito abierto en la línea.

LUBRICACIÓN

Esta herramienta ha sido aceiteada con una cantidad suficiente de lubricante de alto grado para extender la vida de la unidad en condiciones normales de funcionamiento. No se requiere lubricación adicional.

INSPECCIÓN DE LOS CEPILLOS

Para mantener la seguridad y la protección eléctrica, la inspección de los cepillos y su reemplazo deben ser realizados ÚNICAMENTE en una ESTACIÓN DE MANTENIMIENTO AUTORIZADA DE PORTER-CABLE o en un CENTRO DE MANTENIMIENTO DE FÁBRICA DE PORTER-CABLE.

A las 100 horas de uso aproximadamente, lleve o envíe la herramienta a la Estación de mantenimiento autorizada de PORTER-CABLE más cercana para una limpieza e inspección exhaustiva. Haga reemplazar las piezas desgastadas y lubrique con lubricante nuevo. Instale nuevos cepillos y pruebe el funcionamiento de la herramienta.

Cualquier pérdida de potencia antes de la comprobación del mantenimiento mencionado puede indicar la necesidad del mantenimiento inmediato de su herramienta. NO CONTINÚE UTILIZANDO LA HERRAMIENTA EN ESTAS CONDICIONES. Si la herramienta presenta un voltaje de funcionamiento correcto, devuélvala para un mantenimiento inmediato.

SERVICIO

PIEZAS DE REPUESTO

Utilice sólo piezas de repuesto idénticas. Para obtener una lista de las piezas o para solicitarlas, visite nuestro sitio Web en www.deltaportercableservicenet.com. También puede solicitar piezas en una de nuestras sucursales o centros de mantenimiento con garantía autorizados más cercanos, o llamando a End User Services (Servicios para el usuario final) al 1-888-848-5175 para obtener asistencia personalizada de uno de nuestros representantes altamente capacitados.

MANTENIMIENTO Y REPARACIONES

Con el paso del tiempo, todas las herramientas de calidad requieren mantenimiento o reemplazo de las piezas. Para obtener información acerca de PORTER-CABLE y sus sucursales o para localizar un centro de mantenimiento con garantía autorizado, visite nuestro sitio Web en www.deltaportercable.com o llame a End User Services (Servicios para el usuario final) al 1-888-848-5175. Todas las reparaciones realizadas en nuestros centros de mantenimiento están completamente garantizadas en relación con los materiales defectuosos y la mano de obra. No podemos otorgar garantías en relación con las reparaciones ni los intentos de reparación de otras personas. Si llama a este número, también encontrará las respuestas a las preguntas más frecuentes durante las 24 horas del día.

Asimismo, para obtener información puede escribirnos a PORTER-CABLE, PO Box 2468, Jackson, Tennessee 38302-2468 - Attention: End User Services. Asegúrese de incluir toda la información mencionada en la placa de la herramienta (número de modelo, tipo, número de serie, código de fecha, etc.)

ACCESORIOS

▲ ADVERTENCIA: Debido a que no se han probado con este producto otros accesorios que no sean los que ofrece PORTER-CABLE, el uso de tales accesorios puede ser peligroso. Para un funcionamiento seguro, con este producto sólo deben utilizarse los accesorios recomendados por PORTER-CABLE.

Su proveedor de productos PORTER-CABLE, los Centros de mantenimiento de fábrica de PORTER-CABLE y los Centros de mantenimiento autorizados de PORTER-CABLE pueden suministrarle una línea completa de accesorios. Para obtener un catálogo o para conocer el nombre de su proveedor más cercano, visite nuestro sitio Web www.deltaportercable.com.

GARANTÍA

IDENTIFICACIÓN DEL PRODUCTO:

Sello o firma del Distribuidor.Nombre del producto: _____

Mod./Cat.: _____ Marca: _____

Núm. de serie: _____ (Datos para ser llenados por el distribuidor) Fecha de compra y/o entrega del producto: _____

_____ Nombre y domicilio del distribuidor donde se adquirió el producto: _____

Este producto está garantizado por un año a partir de la fecha de entrega, contra cualquier defecto en su funcionamiento, así como en materiales y mano de obra empleados para su fabricación. Nuestra garantía incluye la reparación o reposición del producto y/o componentes sin cargo alguno para el cliente, incluyendo mano de obra, así como los gastos de transportación razonablemente erogados derivados del cumplimiento de este certificado. Para hacer efectiva esta garantía deberá presentar su herramienta y esta póliza sellada por el establecimiento comercial donde se adquirió el producto, de no contar con ésta, bastará la factura de compra.

EXCEPCIONES

Esta garantía no será válida en los siguientes casos:

- Cuando el producto se hubiese utilizado en condiciones distintas a las normales;
- Cuando el producto no hubiese sido operado de acuerdo con el instructivo de uso que se acompaña;
- Cuando el producto hubiese sido alterado o reparado por personas distintas a las enlistadas al final de este certificado.

Anexo encontrará una relación de sucursales de servicio de fábrica, centros de servicio autorizados y franquiciados en la República Mexicana, donde podrá hacer efectiva su garantía y adquirir partes, refacciones y accesorios originales.

GARANTÍA LIMITADA POR TRES AÑOS

PORTER-CABLE reparará, sin cargo, cualquier falla que surja de defectos en el material o la fabricación del producto, por hasta tres años a contar de la fecha de compra. Esta garantía no cubre fallas de las piezas causadas por su desgaste normal o abuso a la herramienta. Para mayores detalles sobre la cobertura de la garantía e información acerca de reparaciones realizadas bajo garantía, visítenos en www.deltaportercable.com o diríjase al centro de servicio más cercano. Esta garantía no aplica a accesorios o a daños causados por reparaciones realizadas o intentadas por terceros. Esta garantía le otorga derechos legales específicos, además de los cuales puede tener otros dependiendo del estado o provincia en que se encuentre.

Además de la garantía, las herramientas PORTER-CABLE están cubiertas por:

1 AÑO DE SERVICIO GRATUITO: PORTER-CABLE mantendrá la herramienta y reemplazará las piezas gastadas por su uso normal, sin cobro, en cualquier momento durante un año a contar de la fecha de compra.

GARANTÍA DE REEMBOLSO DE SU DINERO POR 90 DÍAS: Si no está completamente satisfecho con el desempeño de su máquina herramienta o clavadora PORTER-CABLE, cualquiera sea el motivo, podrá devolverlo hasta 90 días de la fecha de compra con su recibo y obtener el reembolso completo de su dinero – sin necesidad de responder a ninguna pregunta.

AMÉRICA LATINA: Esta garantía no se aplica a los productos que se venden en América Latina. Para los productos que se venden en América Latina, debe consultar la información de la garantía específica del país que viene en el empaque, llamar a la compañía local o visitar el sitio Web a fin de obtener esa información.

Para registrar la herramienta para obtener el mantenimiento cubierto por la garantía, visite nuestro sitio web en www.deltaportercable.com.

REEMPLAZO DE LAS ETIQUETAS DE ADVERTENCIA

Si sus etiquetas de advertencia se vuelven ilegibles o faltan, llame al (888) 848-5175 para que se las reemplacen gratuitamente.

Model 7800 9" (230mm) Dry Wall Sander
Variable Speed

⚠ WARNING To reduce the risk of injury, user must read and understand instruction manual. Always use proper eye and respiratory protection.

⚠ ADVERTENCIA Para disminuir el riesgo de lesiones, el usuario deberá leer y comprender el manual de instrucciones. Siempre se deberá llevar la protección apropiada para la vista y para las vías respiratorias.

⚠ AVERTISSEMENT Afin de minimiser les risques de blessures, l'utilisateur doit toujours lire et comprendre le guide d'utilisation. Il faut toujours porter de l'équipement de protection oculaire et respiratoire approprié.

⚠ WARNING

**DO NOT REMOVE
GROUND PIN FROM
PLUG**

⚠ WARNING

**DO NOT REMOVE
GROUND PIN FROM
PLUG**

⚠ ADVERTENCIA

**NO quite el terminal
de conexión a tierra
del enchufe**

⚠ AVERTISSEMENT

**NE retirez pas la
broche de mise à la
terre de la fiche**

Para reparación y servicio de sus herramientas eléctricas, favor de dirigirse al Centro de Servicio más cercano

CULIACAN, SIN

Bldv. Emiliano Zapata 5400-1 Poniente
Col. San Rafael

(667) 717 89 99

GUADALAJARA, JAL

Av. La Paz #1779 - Col. Americana Sector Juárez

(33) 3825 6978

MEXICO, D.F.

Eje Central Lázaro Cárdenas No. 18
Local D, Col. Obrera

(55) 5588 9377

MERIDA, YUC

Calle 63 #459-A - Col. Centro

(999) 928 5038

MONTERREY, N.L.

Av. Francisco I. Madero 831 Poniente - Col. Centro

(818) 375 23 13

PUEBLA, PUE

17 Norte #205 - Col. Centro

(222) 246 3714

QUERETARO, QRO

Av. San Roque 274 - Col. San Gregorio

(442) 2 17 63 14

SAN LUIS POTOSI, SLP

Av. Universidad 1525 - Col. San Luis

(444) 814 2383

TORREON, COAH

Bldv. Independencia, 96 Pte. - Col. Centro

(871) 716 5265

VERACRUZ, VER

Prolongación Díaz Mirón #4280 - Col. Remes

(229) 921 7016

VILLAHERMOSA, TAB

Constitución 516-A - Col. Centro

(993) 312 5111

PARA OTRAS LOCALIDADES:

Si se encuentra en México, por favor llame al (55) 5326 7100

Si se encuentra en U.S., por favor llame al
(888) 848-5175

EESPECIFICACIONES MODEL 7800 / 7801

Tensión de alimentación:
Consumo de corriente:
Frecuencia de operación:
Rotación sin carga:

120 V AC~
4,7 A
60 Hz
1 400 - 2 000 rpm

SOLAMENTE PARA PROPÓSITO DE MÉXICO:
IMPORTADO POR: PORTER-CABLE S.A. DE C.V.
BOSQUES DE CIDROS, ACCESO RADIATAS NO.42
3A. SECCIÓN DE BOSQUES DE LAS LOMAS
DELEGACIÓN CUAJIMALPA,
05120, MÉXICO, D.F.
TEL. (52) 555-326-7100
R.F.C.: BDE810626-1W7

Para servicio y ventas consulte
"HERRAMIENTAS ELECTRICAS"
en la sección amarilla.



The following are PORTER-CABLE trademarks for one or more power tools and accessories: a gray and black color scheme; a ♦ "four point star" design; and three contrasting/outlined longitudinal stripes. The following are also trademarks for one or more PORTER-CABLE and Delta products: Les éléments ci-dessous sont des marques de commerce des outils et des accessoires de PORTER-CABLE : un agencement de couleurs grise et noire; un motif d' « étoile à quatre pointes » ♦ et trois bandes longitudinales contrastantes/à contours. Les marques suivantes sont également des marques de commerce se rapportant à un ou plusieurs produits PORTER-CABLE ou Delta : Las siguientes son marcas comerciales PORTER-CABLE que distinguen a una o más herramientas y accesorios: un gráfico de color gris y negro; un diseño de ♦ "estrella de cuatro puntas" y tres franjas longitudinales contrastantes/delineadas. Las siguientes también son marcas comerciales para uno o más productos de PORTER-CABLE y Delta: 2 BY 4®, 890™, Air America®, AIRBOSS™, Auto-Set®, B.O.S.S.®, Bammer®, Biesemeyer®, Builders Saw®, Charge Air®, Charge Air Pro®, CONTRACTOR SUPERDUTY®, Contractor's Saw®, Delta®, DELTA®, Delta Industrial®, DELTA MACHINERY & DESIGN™, Delta Shopmaster and Design®, Delta X5®, Deltacraft®, DELTAGRAM®, Do It. Feel It.®, DUAL LASERLOC AND DESIGN®, EASY AIR®, EASY AIR TO GO™, ENDURADIAMOND®, Ex-Cell®, Front Bevel Lock®, Get Yours While the Sun Shines®, Grip to Fit®, GRIPVAC™, GTF®, HICKORY WOODWORKING®, Homecraft®, HP FRAMER HIGH PRESSURE®, IMPACT SERIES™, Innovation That Works®, Jet-Lock®, Job Boss®, Kickstand®, LASERLOC®, LONG-LASTING WORK LIFE®, MAX FORCE™, MAX LIFE®, Micro-Set®, Midi-Lathe®, Monsoon®, MONSTER-CARBIDE™, Network®, OLDHAM®, Omnijig®, PC EDGE®, Performance Crew™, Performance Gear®, Pocket Cutter®, Porta-Band®, Porta-Plane®, Porter Cable®, PORTER-CABLE Professional Power Tools®, Powerback®, POZI-STOP™, Pressure Wave®, PRO 4000®, Proair®, Quicksand and Design®, Quickset II®, QUIET DRIVE TECHNOLOGY™, QUIET DRIVE TECHNOLOGY AND DESIGN™, Quik-Change®, QUIK-TILT®, RAPID-RELEASE™, RAZOR®, Redefining Performance®, Riptide®, Safe Guard II®, Sand Trap and Design®, Sanding Center®, Saw Boss®, Shop Boss®, Sidekick®, Site Boss®, Speed-Bloc®, Speedmatic®, Stair Ease®, Steel Driver Series®, SUPERDUTY®, T4 & DESIGN®, THE AMERICAN WOODSHOP®, THE PROFESSIONAL EDGE®, Thin-Line®, Tiger Saw®, TIGERCLAW®, TIGERCLAW AND DESIGN®, Torq-Buster®, TRU-MATCH®, T-Square®, Twinlaser®, Unifence®, Uniguard®, UNIRIP®, UNISAW®, UNITED STATES SAW®, Veri-Set®, Versa-Feeder®, VIPER®, VT™, VT RAZOR™, Water Driver®, WATER VROOM®, Waveform®, Whisper Series®, X5®, YOUR ACHIEVEMENT. OUR TOOLS.®

Trademarks noted with ® are registered in the United States Patent and Trademark Office and may also be registered in other countries. Other trademarks may apply. Les marques de commerce suivies du symbole ® sont enregistrées auprès du United States Patent and Trademark Office et peuvent être enregistrées dans d'autres pays. D'autres marques de commerce peuvent également être applicables. Las marcas comerciales con el símbolo ® están registradas en la Oficina de patentes y marcas comerciales de Estados Unidos (United States Patent and Trademark Office), y también pueden estar registradas en otros países. Posiblemente se apliquen otras marcas comerciales registradas.

PORTER-CABLE®

4825 Highway 45 North
Jackson, TN 38305
(888)-848-5175

www.deltaportercable.com

Free Manuals Download Website

<http://myh66.com>

<http://usermanuals.us>

<http://www.somanuals.com>

<http://www.4manuals.cc>

<http://www.manual-lib.com>

<http://www.404manual.com>

<http://www.luxmanual.com>

<http://aubethermostatmanual.com>

Golf course search by state

<http://golfingnear.com>

Email search by domain

<http://emailbydomain.com>

Auto manuals search

<http://auto.somanuals.com>

TV manuals search

<http://tv.somanuals.com>