

Instruction Manual

14" Abrasive Cut-Off Machine



MODEL 1400

To learn more about Porter-Cable
visit our website at:

<http://www.porter-cable.com>

PORTER-CABLE
PROFESSIONAL POWER TOOLS

IMPORTANT

*Please make certain that the person who is to use
this equipment carefully reads and understands
these instructions before starting operations.*

The Model and Serial No. plate is located on the main
housing of the tool. Record these numbers in the
spaces below and retain for future reference.

Model No. _____

Type _____

Serial No. _____

SAFETY GUIDELINES / DEFINITIONS

This manual contains information that is important for you to know and understand. This information relates to protecting YOUR SAFETY and PREVENTING EQUIPMENT PROBLEMS. To help you recognize this information, we use the symbols to the right. Please read the manual and pay attention to these sections.

▲ DANGER Indicates an imminently hazardous situation which, if not avoided, will result in death or serious injury.

▲ WARNING Indicates a potentially hazardous situation which, if not avoided, could result in death or serious injury.

▲ CAUTION Indicates a potentially hazardous situation which, if not avoided, may result in minor or moderate injury.

CAUTION Used without the safety alert symbol indicates potentially hazardous situation which, if not avoided, may result in property damage.

▲ WARNING **SOME DUST CREATED BY POWER SANDING, SAWING, GRINDING, DRILLING, AND OTHER CONSTRUCTION ACTIVITIES** contains chemicals known to cause cancer, birth defects or other reproductive harm. Some examples of these chemicals are:

- lead from lead-based paints,
- crystalline silica from bricks and cement and other masonry products, and
- arsenic and chromium from chemically-treated lumber.

Your risk from these exposures varies, depending on how often you do this type of work. To reduce your exposure to these chemicals: work in a well ventilated area, and work with approved safety equipment, always wear **MSHA/NIOSH** approved, properly fitting face mask or respirator when using such tools.

IMPORTANT SAFETY INSTRUCTIONS



▲ WARNING **READ AND UNDERSTAND ALL WARNINGS AND OPERATING INSTRUCTIONS BEFORE USING THIS EQUIPMENT.** Failure to follow all instructions listed below, may result in electric shock, fire, and/or serious personal injury or property damage.

SAVE! IMPORTANT SAFETY INSTRUCTIONS SAVE!

Woodworking can be dangerous if safe and proper operating procedures are not followed. As with all machinery, there are certain hazards involved with the operation of the product. Using the machine with respect and caution will considerably lessen the possibility of personal injury. However, if normal safety precautions are overlooked or ignored, personal injury to the operator may result. Safety equipment such as guards, push sticks, hold-downs, featherboards, goggles, dust masks and hearing protection can reduce your potential for injury. But even the best guard won't make up for poor judgment, carelessness or inattention. Always use common sense and exercise caution in the workshop. If a procedure feels dangerous, don't try it. Figure out an alternative procedure that feels safer. **REMEMBER:** Your personal safety is your responsibility.

This machine was designed for certain applications only. Porter-Cable strongly recommends that this machine not be modified and/or used for any application other than that for which it was designed. If you have any questions relative to a particular application, **DO NOT** use the machine until you have first contacted Porter-Cable to determine if it can or should be performed on the product.

**Technical Service Manager
Porter-Cable Corporation
4825 Highway 45 North
Jackson, TN 38305**

(IN CANADA: 505 SOUTHGATE DRIVE, GUELPH, ONTARIO N1H 6M7)

GENERAL SAFETY RULES

1. **FOR YOUR OWN SAFETY, READ INSTRUCTION MANUAL BEFORE OPERATING THE TOOL.** Learn the tool's application and limitations as well as the specific hazards peculiar to it.

2. **KEEP GUARDS IN PLACE** and in working order.

3. **ALWAYS WEAR EYE PROTECTION.** Wear safety glasses. Everyday eyeglasses only have impact resistant lenses; they are not safety glasses. Also use face or dust mask if cutting operation is dusty. These safety glasses must conform to ANSI Z87.1 requirements. **NOTE:** Approved glasses have Z87 printed or stamped on them.

4. **REMOVE ADJUSTING KEYS AND WRENCHES.** Form habit of checking to see that keys and adjusting wrenches are removed from tool before turning it "on".

5. **KEEP WORK AREA CLEAN.** Cluttered areas and benches invite accidents.

6. **DON'T USE IN DANGEROUS ENVIRONMENT.** Don't use power tools in damp or wet locations, or expose them to rain. Keep work area well-lighted.

7. **KEEP CHILDREN AND VISITORS AWAY.** All children and visitors should be kept a safe distance from work area.

8. **MAKE WORKSHOP CHILDPROOF** – with padlocks, master switches, or by removing starter keys.

9. **DON'T FORCE TOOL.** It will do the job better and be safer at the rate for which it was designed.

10. **USE RIGHT TOOL.** Don't force tool or attachment to do a job for which it was not designed.

11. **WEAR PROPER APPAREL.** No loose clothing, gloves, neckties, rings, bracelets, or other jewelry to get caught in moving parts. Nonslip footwear is recommended. Wear protective hair covering to contain long hair.

12. **SECURE WORK.** Use clamps or a vise to hold work when practical. It's safer than using your hand and frees both hands to operate tool.

13. **DON'T OVERREACH.** Keep proper footing and balance at all times.

14. **MAINTAIN TOOLS IN TOP CONDITION.** Keep tools sharp and clean for best and safest performance. Follow instructions for lubricating and changing accessories.

15. **DISCONNECT TOOLS** before servicing and when changing accessories such as blades, bits, cutters, etc.

16. **USE RECOMMENDED ACCESSORIES.** The use of accessories and attachments not recommended by Porter-Cable may cause hazards or risk of injury to persons.

17. **REDUCE THE RISK OF UNINTENTIONAL STARTING.**

Make sure switch is in "OFF" position before plugging in power cord. In the event of a power failure, move switch to the "OFF" position.

18. **NEVER STAND ON TOOL.** Serious injury could occur if the tool is tipped or if the cutting tool is accidentally contacted.

19. **CHECK DAMAGED PARTS.** Before further use of the tool, a guard or other part that is damaged should be carefully checked to ensure that it will operate properly and perform its intended function – check for alignment of moving parts, binding of moving parts, breakage of parts, mounting, and any other conditions that may affect its operation. A guard or other part that is damaged should be properly repaired or replaced.

20. **DIRECTION OF FEED.** Feed work into a blade or cutter against the direction of rotation of the blade or cutter only.

21. **NEVER LEAVE TOOL RUNNING UNATTENDED. TURN POWER OFF.** Don't leave tool until it comes to a complete stop.

22. **STAY ALERT, WATCH WHAT YOU ARE DOING, AND USE COMMON SENSE WHEN OPERATING A POWER TOOL. DO NOT USE TOOL WHILE TIRED OR UNDER THE INFLUENCE OF DRUGS, ALCOHOL, OR MEDICATION.** A moment of inattention while operating power tools may result in serious personal injury.

23. **MAKE SURE TOOL IS DISCONNECTED FROM POWER SUPPLY** while motor is being mounted, connected or reconnected.

24. **THE DUST GENERATED** by certain woods and wood products can be injurious to your health. Always operate machinery in well ventilated areas and provide for proper dust removal. Use wood dust collection systems whenever possible.

ADDITIONAL SAFETY RULES FOR ABRASIVE CUT-OFF MACHINES

▲ WARNING FAILURE TO FOLLOW THESE RULES MAY RESULT IN SERIOUS PERSONAL INJURY.

1. Do not operate your abrasive cut-off machine until it is completely assembled and installed according to the instructions.

2. **IF YOU ARE NOT** thoroughly familiar with the operation of abrasive cut-off machines, obtain advice from your supervisor, instructor or other qualified person.

3. **WEAR SAFETY GOGGLES,** face shield, respirator, body apron, head covering, safety shoes, long tight-fitting sleeves and gloves.

4. **USE ONLY RECOMMENDED** reinforced abrasive wheels with blotters.

5. **TIGHTEN ARBOR SCREW** and all clamps before operating.

6. **MAKE SURE** spindle lock is disengaged before operating.

7. **ALWAYS KEEP GUARDS** in place and working properly.

8. **KEEP HANDS CLEAR** of cut-off wheel.

9. **SECURE WORKPIECE PROPERLY.** Work should be straight and firmly clamped to avoid possible movement and pinching as the cut nears completion.

10. **NEVER CUT ANYTHING FREEHAND.**

11. **NEVER REACH** behind or beneath the cut-off wheel.

12. **MAKE SURE** the wheel has come to a complete stop before removing or securing workpiece or changing workpiece angle.

13. **MAKE SURE** the inside surfaces of the wheel flanges as well as the sides of the wheel are free from any foreign matter.

14. **WHEN MOUNTING** the wheel, care should be taken to tighten the arbor screw only enough to hold the wheel firmly and to prevent wheel slippage. Excessive tightening may result in damaging the wheel and springing the wheel flanges.

15. **USE ONLY** abrasive wheels rated at 3900 RPM or higher.

16. **ALWAYS CHECK THE WHEEL** for cracks or other damage before operation. Replace cracked or damaged wheel immediately.

17. **USE ONLY** wheel flanges specified for your machine.

18. **MAKE SURE** abrasive wheel is not contacting workpiece before switch is turned on.

19. **ALLOW THE MOTOR** to come up to full speed before starting cut.

20. **AFTER TURNING MACHINE ON,** lower wheel lightly until it comes into contact with the workpiece and then draw wheel firmly through the cut. DO NOT allow the wheel to chatter and jump as this may cause the wheel to wear out of round, resulting in poor cutting and possible broken wheels.

21. **ANY MATERIAL CAN BE CUT** more satisfactorily when placed in position for the wheel to cut with the least arc of contact.

22. **THE NUMBER OF CUTS** per wheel, as well as the quality of cut, may vary considerably with the cutting time. Fast cuts cause the wheel to wear more rapidly but also help to reduce discoloration and burr. This is especially noticeable when cutting light gage tubing. When coming through the bottom wall, with the longer arc of contact, do not slow up but give a vigorous pull. This keeps the metal from overheating and dragging off in a heavy burr.

23. **USE THE WHEEL GUARD AT ALL TIMES.**

24. **NEVER OPERATE** the machine in an area with flammable liquids or gases.

25. **TO AVOID ELECTRIC SHOCK,** do not use under damp conditions or expose to rain.

26. **THIS TOOL** is designed for ferrous metals only. DO NOT attempt to cut wood, masonry, aluminum or magnesium with this tool.

27. **AFTER INSTALLING** a new wheel, never start the tool with a person in line with the wheel. ALWAYS run the tool for approximately one minute before cutting. If the wheel has an undetected crack or flaw, it could burst in less than one minute.

28. **SHUT OFF POWER BEFORE SERVICING OR ADJUSTING TOOL.**

29. **SHOULD ANY PART** of your machine be missing, damaged or fail in any way, or any electrical component fail to perform properly, shut-off switch and remove plug from power supply outlet. Replace missing, damaged or failed parts before resuming operation.

30. **ADDITIONAL INFORMATION** regarding the safe and proper operation of this product is available from the National Safety Council, 444 N. Michigan Avenue, Chicago, IL 60611, in the Accident Prevention Manual for Industrial Operation and also in the Safety Data Sheets provided by the NSC. Please also refer to the American National Standard Institute ANSI B11.10 Safety Requirements for the Construction, Care and Use of Metal Sawing Machines and the U.S. Department of Labor OSHA 1910 Regulations.

SAVE THESE INSTRUCTIONS.

Refer to them often and use them to instruct others.

POWER CONNECTIONS

A separate electrical circuit should be used for your machines. This circuit should not be less than #12 wire and should be protected with a 20 Amp time lag fuse. If an extension cord is used, use only 3-wire extension cords which have 3-prong grounding type plugs and matching receptacle which will accept the machine's plug. Before connecting the machine to the power line, make sure the switch is in the "OFF" position and be sure that the electric current is of the same characteristics as indicated on the machine. All line connections should make good contact. Running on low voltage will damage the machine.

▲ DANGER DO NOT EXPOSE THE MACHINE TO RAIN OR OPERATE THE MACHINE IN DAMP LOCATIONS.

MOTOR SPECIFICATIONS

Your machine is wired for 120 volt, 60 HZ alternating current. Before connecting the machine to the power source, make sure the switch is in the "OFF" position.

GROUNDING INSTRUCTIONS

▲ DANGER THIS MACHINE MUST BE GROUNDED WHILE IN USE TO PROTECT THE OPERATOR FROM ELECTRIC SHOCK.

1. All grounded, cord-connected machines:

In the event of a malfunction or breakdown, grounding provides a path of least resistance for electric current to reduce the risk of electric shock. This machine is equipped with an electric cord having an equipment-grounding conductor and a grounding plug. The plug must be plugged into a matching outlet that is properly installed and grounded in accordance with all local codes and ordinances.

Do not modify the plug provided - if it will not fit the outlet, have the proper outlet installed by a qualified electrician.

Improper connection of the equipment-grounding conductor can result in risk of electric shock. The conductor with insulation having an outer surface that is green with or without yellow stripes is the equipment-grounding conductor. If repair or replacement of the electric cord or plug is necessary, do not connect the equipment-grounding conductor to a live terminal.

Check with a qualified electrician or service personnel if the grounding instructions are not completely understood, or if in doubt as to whether the machine is properly grounded.

Use only 3-wire extension cords that have 3-prong grounding type plugs and matching 3-conductor receptacles that accept the machine's plug, as shown in Fig. A.

Repair or replace damaged or worn cord immediately.

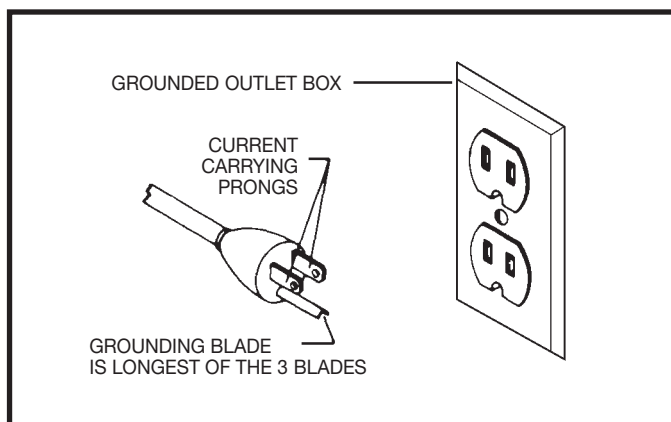


Fig. A

2. Grounded, cord-connected machines intended for use on a supply circuit having a nominal rating less than 150 volts:

If the machine is intended for use on a circuit that has an outlet that looks like the one illustrated in Fig. A, the machine will have a grounding plug that looks like the plug illustrated in Fig. A. A temporary adapter, which looks like the adapter illustrated in Fig. B, may be used to connect this plug to a matching 2-conductor receptacle as shown in Fig. B if a properly grounded outlet is not available. The temporary adapter should be used only until a properly grounded outlet can be installed by a qualified electrician. The green-colored rigid ear, lug, and the like, extending from the adapter must be connected to a permanent ground such as a properly grounded outlet box. Whenever the adapter is used, it must be held in place with a metal screw.

NOTE: In Canada, the use of a temporary adapter is not permitted by the Canadian Electric Code.

▲ DANGER IN ALL CASES, MAKE CERTAIN THE RECEPTACLE IN QUESTION IS PROPERLY GROUNDED. IF YOU ARE NOT SURE HAVE A QUALIFIED ELECTRICIAN CHECK THE RECEPTACLE.

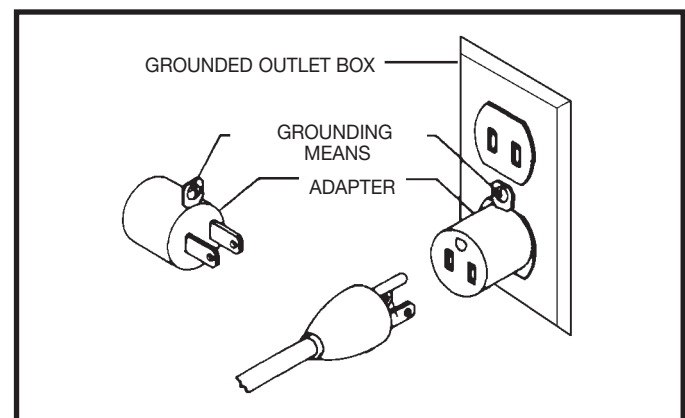


Fig. B

EXTENSION CORDS

CAUTION Use proper extension cords. Make sure your extension cord is in good condition and is a 3-wire extension cord which has a 3-prong grounding type plug and matching receptacle which will accept the machine's plug. When using an extension cord, be sure to use one heavy enough to carry the current of the machine. An undersized cord will cause a drop in line voltage, resulting in loss of power and overheating. Fig. D, shows the correct gauge to use depending on the cord length. If in doubt, use the next heavier gauge. The smaller the gauge number, the heavier the cord.

MINIMUM GAUGE EXTENSION CORD			
RECOMMENDED SIZES FOR USE WITH STATIONARY ELECTRIC MACHINES			
Ampere Rating	Volts	Total Length of Cord in Feet	Gauge of Extension Cord
0-6	120	up to 25	18 AWG
0-6	120	25-50	16 AWG
0-6	120	50-100	16 AWG
0-6	120	100-150	14 AWG
6-10	120	up to 25	18 AWG
6-10	120	25-50	16 AWG
6-10	120	50-100	14 AWG
6-10	120	100-150	12 AWG
10-12	120	up to 25	16 AWG
10-12	120	25-50	16 AWG
10-12	120	50-100	14 AWG
10-12	120	100-150	12 AWG
12-16	120	up to 25	14 AWG
12-16	120	25-50	12 AWG
12-16	120	GREATER THAN 50 FEET NOT RECOMMENDED	

Fig. D

FUNCTIONAL DESCRIPTION

FOREWORD

Porter-Cable Model 1400 is a 14" Abrasive Cut-Off Machine designed to cut ferrous metals. Cutting capacities (at 90°) are: 5-1/4" Dia. round stock, 4-1/4" x 4-1/4" square stock, and 2-3/4" x 7-3/16" rectangular stock. It is equipped with an adjustable fence that can be set for angle cuts between 45° and 90°.

NOTICE: THE MANUAL COVER PHOTO ILLUSTRATES THE CURRENT PRODUCTION MODEL. ALL OTHER ILLUSTRATIONS ARE REPRESENTATIVE ONLY AND MAY NOT DEPICT THE ACTUAL COLOR, LABELING OR ACCESSORIES AND MAY BE INTENDED TO ILLUSTRATE TECHNIQUE ONLY.

UNPACKING AND CLEANING

Carefully unpack the machine and all loose items from the shipping container(s). Remove the protective coating from all unpainted surfaces. This coating may be removed with a soft cloth moistened with kerosene (do not use acetone, gasoline or lacquer thinner for this purpose). After cleaning, cover the unpainted surfaces with a good quality household floor paste wax.

▲ WARNING FOR YOUR OWN SAFETY, DO NOT CONNECT THE MACHINE TO THE POWER SOURCE UNTIL THE MACHINE IS COMPLETELY ASSEMBLED AND YOU READ AND UNDERSTAND THE ENTIRE INSTRUCTION MANUAL.

1. We recommend you retain all packing materials until after you have inspected and satisfactorily operated the machine.
2. Place the machine on a sturdy work table.
3. Familiarize yourself with all features and controls as explained in this manual.
4. The machine is shipped with the cutting head (A) Fig. 4, held in the down position by the hold-down chain (B). Press down on the tool handle to lower the cutting head. Unhook the hold-down chain from the side of the handle.
5. Slowly release pressure on tool handle allowing the cutting head to move to the up position as shown in Fig. 5.

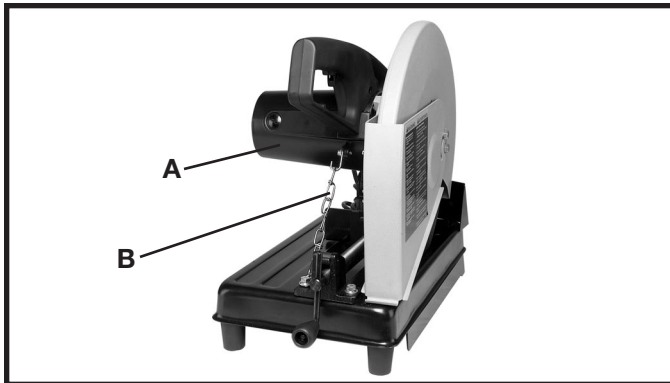


Fig. 4



Fig. 5

OPERATING CONTROLS AND ADJUSTMENTS

TO START AND STOP MACHINE

CAUTION Make sure power circuit voltage is the same as shown on the specification plate of the machine and that switch is OFF before connecting to power circuit.

1. Squeeze trigger switch (A) Fig. 6, to start motor. Release trigger switch to stop motor.
2. A lock button (B) Fig. 6, is provided to lock the switch in the ON position. TO LOCK the switch ON, squeeze the trigger as far as it will go, push in the lock button and release trigger. TO UNLOCK the lock button, squeeze trigger allowing lock button to spring out, and release trigger.

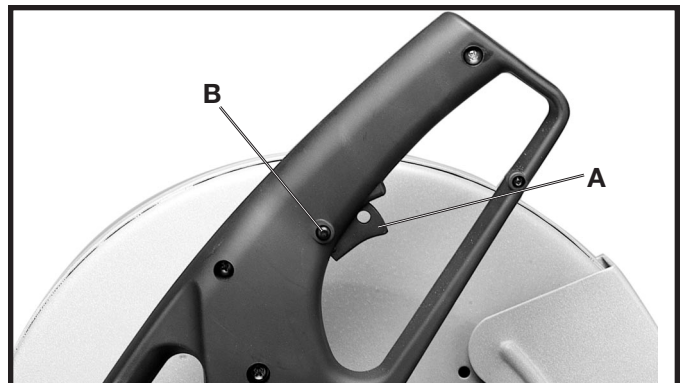


Fig. 6



Fig. 7

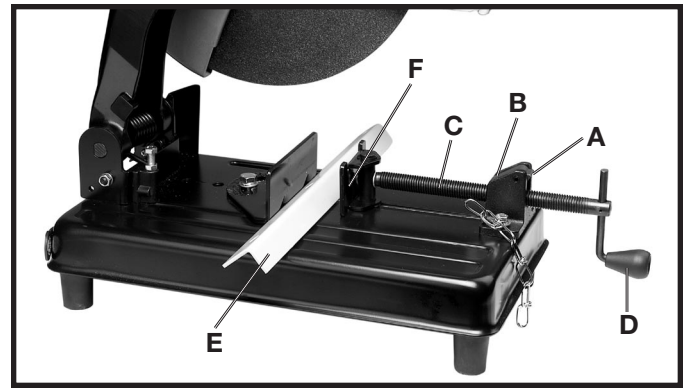


Fig. 8

SWITCH LOCKOUT

IMPORTANT: When the tool is not in use, the switch should be locked in the “OFF” position to prevent unauthorized use, using a padlock (C) Fig. 7 with a 3/16" diameter shackle.

WISE

Clamping the workpiece can be accomplished quickly and easily, as follows:

1. Depress lever (A) Fig. 8, to lift half-nut (B) off screw (C).
2. Pull out screw handle (D) Fig. 8, far enough to allow workpiece (E) to be placed in vise opening against rear vise clamp, as shown. **NOTE:** It is not necessary to thread the screw (C) when the half-nut (B) is in the up position. The screw handle (D) can be pulled out or pushed in.
3. Push in on screw handle (D) Fig. 9, until front vise clamp (F) contacts workpiece (E).
4. Rotate lever (A) Fig. 9, to engage half-nut (B) with screw (C) and tighten screw handle (D) to securely clamp workpiece in vise.

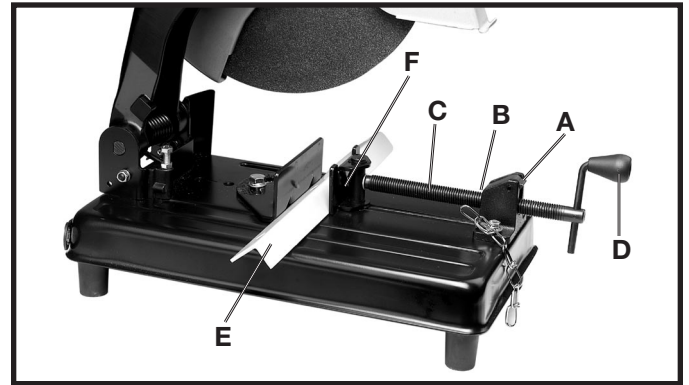


Fig. 9

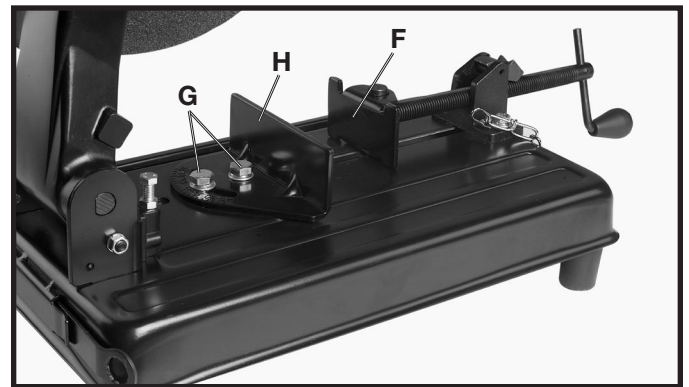


Fig. 10

ANGLE CUTTING

1. Loosen two screws (G) Fig.10, and rotate rear vise clamp (H) to the desired angle. Then tighten the two screws (G). The front vise clamp (F) pivots on its post and will automatically align itself with the workpiece.
2. Fig. 11 illustrates a workpiece clamped in the vise for a typical angle cutting operation.



Fig. 11

ADJUSTING DOWNWARD TRAVEL OF ABRASIVE WHEEL

A stop screw (A) Fig. 12, is provided to limit the downward travel of the abrasive wheel. This adjustment is made by loosening lock nut (B) and turning stop screw (A) in or out as desired. Then tighten lock nut (B).

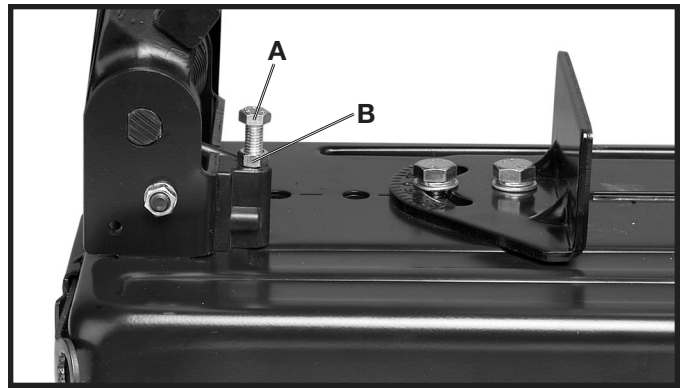


Fig. 12

Fig. 13 illustrates edge of the arm casting (C) contacting stop screw (A) limiting the downward travel of the abrasive wheel. **NOTE:** As the abrasive wheel becomes smaller in diameter, because of wear, the downward travel of the wheel can be increased. When the blade is changed, the stop screw (A) Fig. 12 will need to be re-adjusted to limit the downward travel of the wheel.

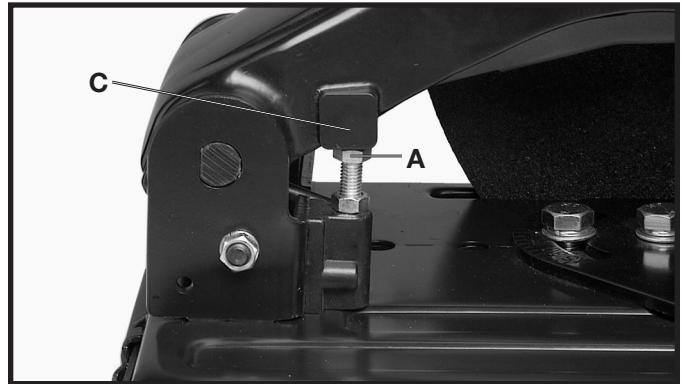


Fig. 13

WRENCH STORAGE

A slot (A) Fig.14, is provided on the back of the machine base for convenient storage of the adjusting wrench (B), which is supplied with your machine. Fig. 14 illustrates the wrench (B) stored in position in the slot.

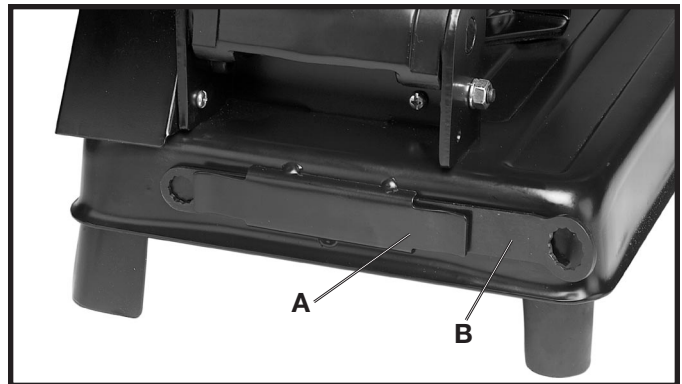


Fig. 14

CARRYING HANDLE

When transporting the machine, the cutting head should always be locked in the down position by means of the hold down chain (A) Fig. 15. A carrying handle (B) is provided for ease of transportation.

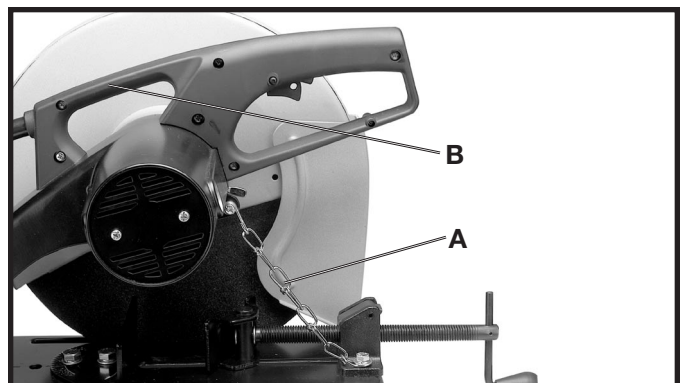


Fig. 15

OPERATIONS

MAKING THE CUT

After clamping the workpiece securely in the vise, turn the machine on and allow the motor to come up to full speed. Lower the wheel (A) lightly until it comes into contact with the workpiece (B), as shown in Fig. 17.

CAUTION Do not allow the wheel to chatter and jump as this may cause the wheel to wear out of round, resulting in poor quality cutting and possible broken wheels.

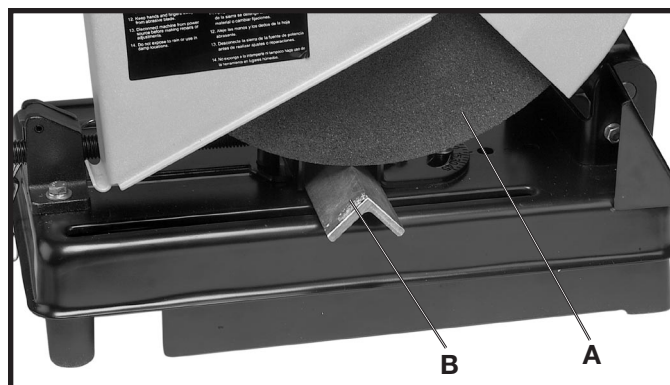


Fig. 17

Continue to push firmly down on the handle while the cut is being made, as shown in Fig. 18.

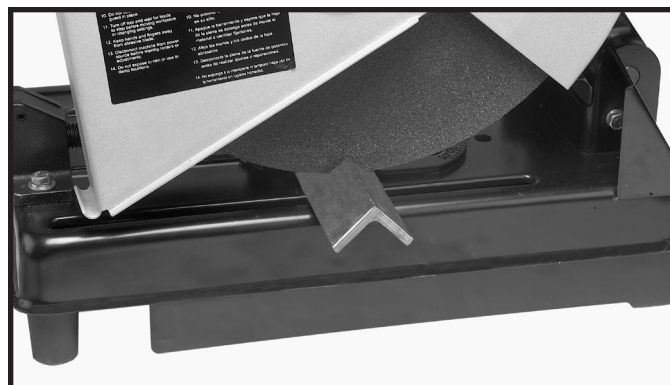


Fig. 18

When coming through the bottom of the cut, as shown in Fig. 19, do not slow up. This keeps the metal from overheating and dragging off in a heavy burr.



Fig. 19

Fig. 20 illustrates the cut-off piece after the cut is completed. **NOTE:** The number of cuts per wheel, as well as the quality of cut, may vary considerably with the cutting time. Fast cuts cause the wheel to wear more rapidly but also help to reduce discoloration and burr.

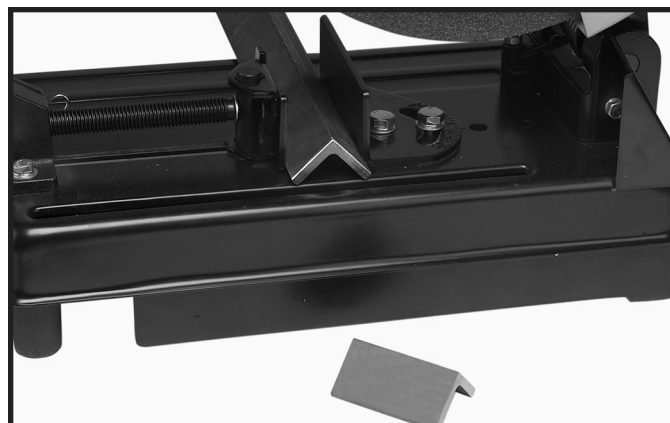


Fig. 20

MAINTENANCE

CHANGING THE WHEEL

⚠ WARNING DISCONNECT MACHINE FROM POWER SOURCE.

1. Rotate the front wheel guard (A) Fig. 21, to the up position, as shown.



Fig. 21

2. Press in on arbor lock (B) Fig. 22, and at the same time rotate wheel (F) by hand until the arbor lock engages.

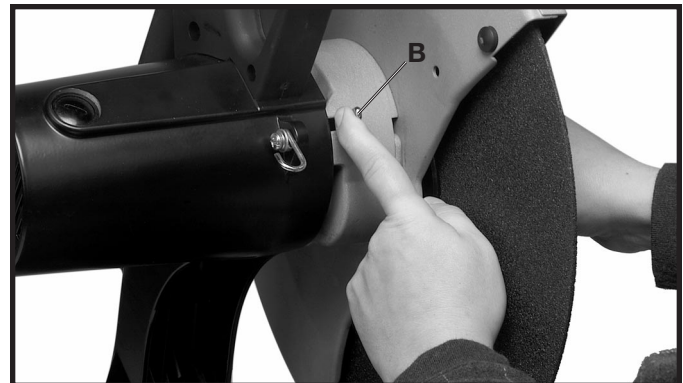


Fig. 22

3. Using the wrench provided, loosen arbor screw (C) Fig. 23, by turning it counterclockwise and remove arbor screw (C), washer (D), outside wheel flange (E) and wheel (F). **DO NOT REMOVE INSIDE WHEEL FLANGE.**

4. Make sure the inside surfaces of both the inside and outside wheel flanges are clean and free from any foreign substance.

5. Install new wheel, outside wheel flange (E) Fig. 23, washer (D), and arbor screw (C). Turn arbor screw (C) clockwise to tighten.

⚠ CAUTION USE ONLY RECOMMENDED REINFORCED ABRASIVE WHEELS WITH BLOTTERS AND TIGHTEN THE ARBOR SCREW (C) ONLY ENOUGH TO HOLD THE WHEEL FIRMLY AND PREVENT WHEEL SLIPPAGE. EXCESSIVE TIGHTENING MAY RESULT IN DAMAGE TO THE WHEEL AND SPRINGING THE WHEEL FLANGES.

6. Rotate front wheel guard to the down position and make sure spindle lock is disengaged before turning the machine on.

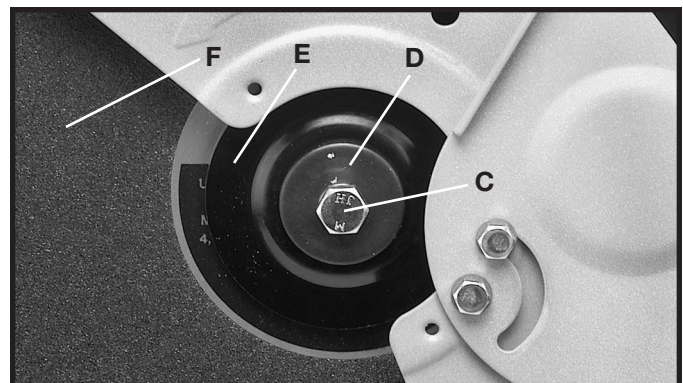


Fig. 23

BRUSH INSPECTION AND REPLACEMENT

⚠ WARNING DISCONNECT MACHINE FROM POWER SOURCE.

Brush life varies. It depends on the load on the motor. Check the brushes after the first 50 hours of use for a new machine or after a new set of brushes have been installed.

After the first check, examine the brushes after about 10 hours of use until such time that replacement is necessary.

The brush holders (A) Fig. 24, are located on the motor housing opposite each other. Fig. 25 illustrates one of the brushes removed for inspection. When the carbon on either brush is worn to 3/16" in length or if either spring or shunt wire is burned or damaged in any way, replace both brushes. If the brushes are found servicable after removing, reinstall them in the same position as removed.

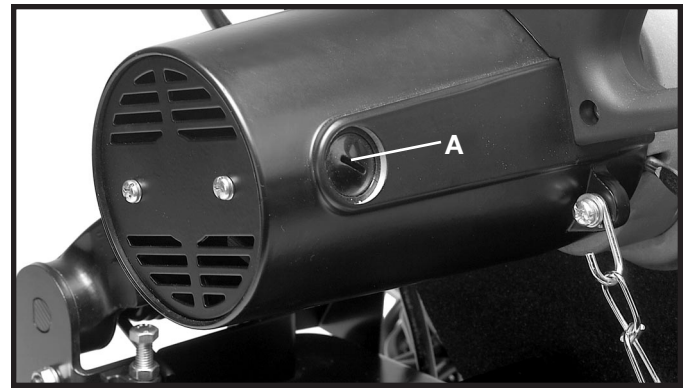


Fig. 24



Fig. 25

KEEP TOOL CLEAN

Periodically blow out all air passages with dry compressed air. Clean all plastic parts with a soft damp cloth. NEVER use solvents to clean plastic parts. They could possibly dissolve or otherwise damage the material.

⚠ CAUTION WEAR SAFETY GLASSES WHILE USING COMPRESSED AIR.

FAILURE TO START

Should your tool fail to start, check to make sure the prongs on the cord plug are making good contact with the outlet. Also, check for blown fuses or open circuit breakers in the line.

SERVICE AND REPAIRS

All quality tools will eventually require servicing or replacement of parts due to wear from normal use. These operations, including brush inspection and replacement, should ONLY be performed by either an AUTHORIZED PORTER-CABLE SERVICE STATION or a PORTER-CABLE-DELTA FACTORY SERVICE CENTER. All repairs made by these agencies are fully guaranteed against defective material and workmanship. We cannot guarantee repairs made or attempted by anyone other than these agencies.

Should you have any questions about your tool, feel free to write us at any time. In any communications, please give all information shown on the nameplate of your tool (model number, type, serial number, etc.).

ACCESSORIES

A complete line of accessories is available from your Porter-Cable-Delta Supplier, Porter-Cable-Delta Factory Service Centers, and Porter-Cable Authorized Service Stations. Please visit our Web Site www.porter-cable.com for a catalog or for the name of your nearest supplier.

▲ WARNING Since accessories other than those offered by Porter-Cable-Delta have not been tested with this product, use of such accessories could be hazardous. For safest operation, only Porter-Cable-Delta recommended accessories should be used with this product.

PORTER-CABLE LIMITED ONE YEAR WARRANTY

Porter-Cable warrants its Professional Power Tools for a period of one year from the date of original purchase. We will repair or replace at our option, any part or parts of the product and accessories covered under this warranty which, after examination, proves to be defective in workmanship or material during the warranty period. For repair or replacement return the complete tool or accessory, transportation prepaid, to your nearest Porter-Cable Service Center or Authorized Service Station. Proof of purchase may be required. This warranty does not apply to repair or replacement required due to misuse, abuse, normal wear and tear or repairs attempted or made by other than our Service Centers or Authorized Service Stations.

ANY IMPLIED WARRANTY, INCLUDING THE IMPLIED WARRANTIES OF MERCHANTABILITY AND FITNESS FOR A PARTICULAR PURPOSE, WILL LAST ONLY FOR ONE (1) YEAR FROM THE DATE OF PURCHASE.

To obtain information on warranty performance please write to: PORTER-CABLE CORPORATION, 4825 Highway 45 North, Jackson, Tennessee 38305; Attention: Product Service. THE FOREGOING OBLIGATION IS PORTER-CABLE'S SOLE LIABILITY UNDER THIS OR ANY IMPLIED WARRANTY AND UNDER NO CIRCUMSTANCES SHALL PORTER-CABLE BE LIABLE FOR ANY INCIDENTAL OR CONSEQUENTIAL DAMAGES. Some states do not allow limitations on how long an implied warranty lasts or the exclusion or limitation of incidental or consequential damages, so the above limitation or exclusion may not apply to you.

This warranty gives you specific legal rights and you may also have other legal rights which vary from state to state.

PORTER-CABLE • DELTA SERVICE CENTERS
(CENTROS DE SERVICIO DE PORTER-CABLE • DELTA)
(CENTRE DE SERVICE PORTER-CABLE • DELTA)

Parts and Repair Service for Porter-Cable • Delta Machinery are Available at These Locations
 (Obtenga Refaccion de Partes o Servicio para su Herramienta en los Sigüientes Centros de Porter-Cable • Delta)
 (Locations où vous trouverez les pièces de rechange nécessaires ainsi qu'un service d'entretien)

ARIZONA

Tempe 85282 (Phoenix)
 2400 West Southern Avenue
 Suite 105
 Phone: (602) 437-1200
 Fax: (602) 437-2200

CALIFORNIA

Ontario 91761 (Los Angeles)
 3949A East Guasti Road
 Phone: (909) 390-5555
 Fax: (909) 390-5554

San Leandro 94577 (Oakland)
 3039 Teagarden Street
 Phone: (510) 357-9762
 Fax: (510) 357-7939

COLORADO

Arvada 80003 (Denver)
 8175 Sheridan Blvd., Unit S
 Phone: (303) 487-1809
 Fax: (303) 487-1868

FLORIDA

Davie 33314 (Miami)
 4343 South State Rd. 7 (441)
 Unit #107
 Phone: (954) 321-6635
 Fax: (954) 321-6638

Tampa 33609
 4538 W. Kennedy Boulevard
 Phone: (813) 877-9585
 Fax: (813) 289-7948

GEORGIA

Forest Park 30297 (Atlanta)
 5442 Frontage Road,
 Suite 112
 Phone: (404) 608-0006
 Fax: (404) 608-1123

ILLINOIS

Addison 60101 (Chicago)
 400 South Rohlwing Rd.
 Phone: (630) 424-8805
 Fax: (630) 424-8895

Woodridge 60517 (Chicago)
 2033 West 75th Street
 Phone: (630) 910-9200
 Fax: (630) 910-0360

MARYLAND

Elkridge 21075 (Baltimore)
 7397-102 Washington Blvd.
 Phone: (410) 799-9394
 Fax: (410) 799-9398

MASSACHUSETTS

Braintree 02185 (Boston)
 719 Granite Street
 Phone: (781) 848-9810
 Fax: (781) 848-6759

Franklin 02038 (Boston)
 Franklin Industrial Park
 101E Constitution Blvd.
 Phone: (508) 520-8802
 Fax: (508) 528-8089

MICHIGAN

Madison Heights 48071 (Detroit)
 30475 Stephenson Highway
 Phone: (248) 597-5000
 Fax: (248) 597-5004

MINNESOTA

Minneapolis 55429
 5522 Lakeland Avenue North
 Phone: (763) 561-9080
 Fax: (763) 561-0653

MISSOURI

North Kansas City 64116
 1141 Swift Avenue
 Phone: (816) 221-2070
 Fax: (816) 221-2897

St. Louis 63119
 7574 Watson Road
 Phone: (314) 968-8950
 Fax: (314) 968-2790

NEW YORK

Flushing 11365-1595 (N.Y.C.)
 175-25 Horace Harding Expwy.
 Phone: (718) 225-2040
 Fax: (718) 423-9619

NORTH CAROLINA

Charlotte 28270
 9129 Monroe Road, Suite 115
 Phone: (704) 841-1176
 Fax: (704) 708-4625

OHIO

Columbus 43214
 4560 Indianola Avenue
 Phone: (614) 263-0929
 Fax: (614) 263-1238

Cleveland 44125
 8001 Sweet Valley Drive
 Unit #19
 Phone: (216) 447-9030
 Fax: (216) 447-3097

OREGON

Portland 97230
 4916 NE 122 nd Ave.
 Phone: (503) 252-0107
 Fax: (503) 252-2123

PENNSYLVANIA

Willow Grove 19090
 520 North York Road
 Phone: (215) 658-1430
 Fax: (215) 658-1433

TEXAS

Carrollton 75006 (Dallas)
 1300 Interstate 35 N, Suite 112
 Phone: (972) 446-2996
 Fax: (972) 446-8157

Houston 77055
 West 10 Business Center
 1008 Wirt Road, Suite 120
 Phone: (713) 682-0334
 Fax: (713) 682-4867

WASHINGTON

Auburn 98001(Seattle)
 3320 West Valley HWY, North
 Building D, Suite 111
 Phone: (253) 333-8353
 Fax: (253) 333-9613

Authorized Service Stations are located in many large cities. Telephone **800-487-8665** or **731-541-6042** for assistance locating one. Parts and accessories for Porter-Cable • Delta products should be obtained by contacting any Porter-Cable • Delta Distributor, Authorized Service Center, or Porter-Cable • Delta Factory Service Center. If you do not have access to any of these, call **888-848-5175** and you will be directed to the nearest Porter-Cable • Delta Factory Service Center. Las Estaciones de Servicio Autorizadas están ubicadas en muchas grandes ciudades. Llame al **800-487-8665** ó al **731-541-6042** para obtener asistencia a fin de localizar una. Las piezas y los accesorios para los productos Porter-Cable • Delta deben obtenerse poniéndose en contacto con cualquier distribuidor Porter-Cable • Delta, Centro de Servicio Autorizado o Centro de Servicio de Fábrica Porter-Cable • Delta. Si no tiene acceso a ninguna de estas opciones, llame al **888-848-5175** y le dirigirán al Centro de Servicio de Fábrica Porter-Cable • Delta más cercano. Des centres de service agréés sont situés dans beaucoup de grandes villes. Appelez au **800-487-8665** ou au **731-541-6042** pour obtenir de l'aide pour en repérer un. Pour obtenir des pièces et accessoires pour les produits Porter-Cable • Delta, s'adresser à tout distributeur Porter-Cable • Delta, centre de service agréé ou centre de service d'usine Porter-Cable • Delta. Si vous n'avez accès à aucun de ces centres, appeler le **888-848-5175** et on vous dirigera vers le centre de service d'usine Porter-Cable • Delta le plus proche.

CANADIAN PORTER-CABLE • DELTA SERVICE CENTERS

ALBERTA

Bay 6, 2520-23rd St. N.E.
 Calgary, Alberta
 T2E 8L2
 Phone: (403) 735-6166
 Fax: (403) 735-6144

BRITISH COLUMBIA

8520 Baxter Place
 Burnaby, B.C.
 V5A 4T8
 Phone: (604) 420-0102
 Fax: (604) 420-3522

MANITOBA

1699 Dublin Avenue
 Winnipeg, Manitoba
 R3H 0H2
 Phone: (204) 633-9259
 Fax: (204) 632-1976

ONTARIO

505 Southgate Drive
 Guelph, Ontario
 N1H 6M7
 Phone: (519) 836-2840
 Fax: (519) 767-4131

QUÉBEC

1515 ave.
 St-Jean Baptiste,
 Québec, Québec
 G2E 5E2
 Phone: (418) 877-7112
 Fax: (418) 877-7123

1447, Begin
 St-Laurent, (Montréal),
 Québec
 H4R 1V8
 Phone: (514) 336-8772
 Fax: (514) 336-3505

The following are trademarks of PORTER-CABLE-DELTA (Las siguientes son marcas registradas de PORTER-CABLE S.A.): Auto-Set®, BAMMER®, B.O.S.S.®, Builder's Saw®, Contractor's Saw®, Contractor's Saw II™, Delta®, DELTACRAFT®, DELTAGRAM™, Delta Series 2000™, DURATRONIC™, Emc2™, FLEX®, Flying Chips™, FRAME SAW®, Homecraft®, INNOVATION THAT WORKS®, Jet-Lock®, JETSTREAM®, 'kickstand®, LASERLOC®, MICRO-SET®, Micro-Set®, MIDI LATHE®, MORTEN™, NETWORK™, OMNIJIG®, POCKET CUTTER®, PORTA-BAND®, PORTA-PLANE®, PORTER-CABLE®&(design), PORTER-CABLE®PROFESSIONAL POWER TOOLS, Posi-Matic®, Q-3®&(design), QUICKSAND®&(design), QUICKSET™, QUICKSET II®, QUICKSET PLUS™, RIPTIDE™&(design), SAFE GUARD II®, SAFE-LOC®, Sanding Center®, SANDTRAP®&(design), SAW BOSS®, Sawbuck™, Sidekick®, SPEED-BLOC®, SPEEDMATIC®, SPEEDTRONIC®, STAIR EASE®, The American Woodshop®&(design), The Lumber Company®&(design), THE PROFESSIONAL EDGE®, THE PROFESSIONAL SELECT®, THIN-LINE™, TIGER®, TIGER CUB®, TIGER SAW®, TORQBUSTER®, TORQ-BUSTER®, TRU-MATCH™, TWIN-LITE®, UNIGUARD®, Unifence®, UNIFEEDER™, Unihead®, Uniplane™, Unirip®, Unisaw®, Univise®, Versa-Feeder®, VERSA-PLANE®, WHISPER SERIES®, WOODWORKER'S CHOICE™.

Trademarks noted with ™ and ® are registered in the United States Patent and Trademark Office and may also be registered in other countries. Las Marcas Registradas con el signo de ™ y ® son registradas por la Oficina de Registros y Patentes de los Estados Unidos y también pueden estar registradas en otros países.

Free Manuals Download Website

<http://myh66.com>

<http://usermanuals.us>

<http://www.somanuals.com>

<http://www.4manuals.cc>

<http://www.manual-lib.com>

<http://www.404manual.com>

<http://www.luxmanual.com>

<http://aubethermostatmanual.com>

Golf course search by state

<http://golfingnear.com>

Email search by domain

<http://emailbydomain.com>

Auto manuals search

<http://auto.somanuals.com>

TV manuals search

<http://tv.somanuals.com>