

**OPERATING INSTRUCTIONS AND PARTS LIST
INSTRUCTIONS D'UTILISATION ET LISTE DE PIÈCES
INSTRUCCIONES DE OPERACIÓN Y LISTA DE PIEZAS**



FTS-150 TILE SAW

MODEL: FTS-150 115V/60/1



FELKER
PROFESSIONAL DEPENDABILITY SINCE 1924

**0AF04106
Copyright © December, 2003
Electrolux Construction Products**

**17400 West 119th Street
Olathe, Kansas 66061
Customer Service800-365-4003
Corp. Office913-928-1000
Cust. Service FAX.....800-825-0028
Corp. Office FAX913-438-7951
Internetwww.felkersaws.com**



EVERY MACHINE IS THOROUGHLY TESTED BEFORE LEAVING THE FACTORY. EACH MACHINE IS SUPPLIED WITH A COPY OF THIS MANUAL. OPERATORS OF THIS EQUIPMENT MUST READ AND BE FAMILIAR WITH THE SAFETY WARNINGS. FAILURE TO OBEY WARNINGS MAY RESULT IN INJURY OR DEATH. FOLLOW INSTRUCTIONS STRICTLY TO ENSURE LONG SERVICE IN NORMAL OPERATION.

CONTENTS

Symbol Definitions	4 - 5
Decal Descriptions and Locations.....	6
Safety Warnings – DO’s & DO NOT’s	8 - 9
Instructions	
1. Features.....	10
2. Benefits	10
3. Machine Set-Up	10 - 14
4. Operating Procedures.....	14 - 15
5. Alignment Procedures	15
6. Maintenance.....	15
7. Trouble Shooting Guide.....	16
8. Repairs.....	16
9. Spare Parts	16
10. Accessory Use & Installation.....	17
Diagrams and Spare Parts.....	22 - 24
Warranty	25



CHAQUE MACHINE A ÉTÉ ENTIÈREMENT TESTÉE AVANT DE QUITTER L'USINE. CHAQUE MACHINE EST FOURNIE AVEC UN EXEMPLAIRE DE CE MANUEL. LES OPÉRATEURS DE CE MATÉRIEL DOIVENT LIRE LES CONSIGNES DE SÉCURITÉ ET BIEN LES CONNAÎTRE. L'INOBSERVATION DE CES CONSIGNES PEUT PROVOQUER DES BLESSURES OU LA MORT. SUIVRE STRICTEMENT LES INSTRUCTIONS POUR OBTENIR UNE LONGUE DURÉE DE SERVICE EN UTILISATION NORMALE.

TABLE DES MATIÈRES

Symboles	4 – 5
Autocollants – descriptions et emplacements.....	6
Mises en garde de sécurité - FAIRE, NE PAS FAIRE	18 - 19
Instructions	
1. Caractéristiques.....	10
2. Avantages.....	10
3. Mise en place de la machine.....	10 - 14
4. Procédures d'utilisation.....	14 - 15
5. Procédures d'alignement.....	15
6. Entretien.....	15
7. Guide de dépannage.....	16
8. Réparations.....	16
9. Pièces de rechange.....	16
10. Accessoires	17
Diagrammes et pièces de rechange	22 – 24
Garantie	25



ANTES DE SALIR DE NUESTRA FÁBRICA, CADA MÁQUINA ES SOMETIDA A PUEBAS DETENIDAS. CADA MÁQUINA DE CORTE ES ENTREGADA CON UNA COPIA DE ESTE MANUAL. LOS OPERARIOS DE ESTOS EQUIPOS DEBEN LEER Y FAMILIARIZARSE CON LAS INSTRUCCIONES DE SEGURIDAD. EL NO PRESTAR ATENCIÓN A ESTAS ADVERTENCIAS PUEDE OCASIONAR GRAVES LESIONES. SIGA ESTRICTAMENTE NUESTRAS INSTRUCCIONES Y SU MÁQUINA LE VA A PRESTAR LARGOS AÑOS DE SERVICIO EN CONDICIONES NORMALES DE UTILIZACIÓN.

CONTENIDO

Definición De Los Símbolos	4 - 5
Descripción De Calcomanías y Ubicaciones	6
Advertencias De Seguridad HACER y NO HACER	20 - 21
Instrucciones	
1. Característica.....	10
2. Beneficio.....	10
3. Instalación De La Cortadora.....	10
4. Instrucciones De Operación.....	10 - 14
5. Métodos De Alineamiento.....	14 - 15
6. Instrucciones De Mantenimiento.....	15
7. Localización Reparación De Averías.....	16
8. Reparaciones.....	16
9. Piezas De Recambio.....	16
10. Accesorios	17
Diagramas y Piezas De Recambio	22 - 24
Garantía	25



WARNING



HEARING HAZARD

DURING NORMAL USE OF THIS MACHINE, OPERATOR MAY BE EXPOSED TO A NOISE LEVEL EQUAL TO OR SUPERIOR TO **85 dB (A)**



ATTENZIONE!!!



RISCHIO DE LESIONE ALL'APPARATO Uditivo
NELLE NORMALI CONDIZIONI DI UTILIZZO,
QUESTA MACCHINA PUÒ COMPORTARE PER L'OPERATORE ADDETTO UN ESPOSIZIONE
ACUSTICA DI LIVELLO PARI O SUPERIORE A

85 dB (A)



ATENCIÓN



RIESGO DE DAÑO AUDITIVO

EN CONDICIONES NORMALES DE UTILIZACIÓN, EL OPERADOR DE ESTA MÁQUINA PUEDE ESTAR EXPUESTO A UN NIVEL DE RUIDO IGUAL O SUPERIOR A **85 dB (A)**



Symbols Definitions

Symboles

Definición De Simbolos



- Please read the instructions for use prior to operating the machine for the first time.
- Avant toute mise en service, lire attentivement la notice et se familiariser avec la machine.
- Antes de la puesta en marcha, lea detenidamente las instrucciones y familiarícese con la máquina.



- Mandatory
- Obligatoire
- Obligatorio



- Indication
- Indicazione
- Indicación



- Prohibition
- Interdiction
- Prohibición



- Warning Triangle
- Triangle d'avertissement
- Triángulo De Advertencia



- Wear Eye Protection
- Port obligatoire des lunettes de protection
- Usar Gafas De Protección



- Wear Breathing Protection
- Port obligatoire d'un masque respiratoire protecteur
- Usar Máscara De Protección



- The Use Of Ear Protection Is Mandatory
- Port obligatoire da casque antibruit
- Es Obligatorio El Uso De Protección Auditiva



- Wear Safety Shoes
- Port obligatoire des chaussures de sécurité
- Usar Zapatos De Seguridad



- Wear Appropriate Clothing
- Port obligatoire de la tenue appropriée
- Usar Ropa Adecuada



- Machinery Hazard, Keep Hands And Feet Clear
- Danger! Rester à distance de la machine
- Máquina Peligrosa - Mantenga Manos Y Pies Alejados De La Máquina



- No Non-Working Personnel In Area
- Zone interdite au personnel non-ouvrier
- Prohibido Para Personas Ajenas A La Obra



- Keep Work Area Clean/Well Lit, Remove All Safety Hazards
- La zone de travail doit toujours être propre, bien éclairée et ne présenter aucun risque
- Mantenga Limpio El Sitio De Trabajo/Bien Iluminado, Elimine Todos Los Riesgos De Seguridad



- Dangerously High Noise Level
- Niveau de bruit dangereux
- Nivel De Ruido Elevadamente Peligroso



- Repairs Are To Be Done By An Authorized Dealer Only
- Les réparations ne peuvent être exécutées que par un distributeur agréé
- Las Reparaciones Deben Ser Efectuadas Únicamente Por Un Distribuidor Autorizado



- Always Keep the Blade Guards In Place
- Toujours vérifier que les protections de disque sont bien en place
- Mantenga siempre las protecciones de la hoja en su sitio



- Diamond Blade
- Disque diamanté
- Sierra Diamantada



- Electrical Shock Hazard
- Risque de secousses électriques
- Peligro de sacudida eléctrica

DECAL DESCRIPTIONS & LOCATION AUTOCOLLANTS – DESCRIPTIONS ET EMPLACEMENTS DESCRIPCIÓN DE CALCAMONIAS Y UBICACIONES



P/N 193015
LOCATION: Blade Guard – Top Sides



P/N 193014
LOCATION: Water Tray – Front



P/N 046326
LOCATION: Motor – Front

GOOD MOTOR PERFORMANCE DEPENDS ON PROPER VOLTAGE. EXTENSION CORDS THAT ARE TOO LONG AND/OR SMALL REDUCE VOLTAGE TO MOTOR UNDER LOAD. USE EXTENSION CORDS NO SMALLER THAN INDICATED BELOW.

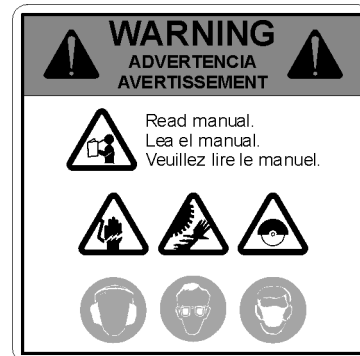
MOTOR HP	50' CORD		75' CORD		100' CORD	
	115V	230V	115V	230V	115V	230V
1	#12	#14	#10	#14	#8	#14
1 1/2	#10	#14	#10	#14	#8	#14
2	#10	#12	#8	#12	#8	#12
3	#8	#10	#8	#10	#8	#10
5		#8		#8		#8

046327

P/N 046327
LOCATION: Motor – Rear



P/N 189247
LOCATION: Control Box – WP Outlet



P/N 187043
LOCATION: Cutting Head – Handle Area

NOTES:

SAFETY FIRST!



WARNING: FAILURE TO COMPLY WITH THESE WARNINGS AND OPERATING INSTRUCTIONS COULD RESULT IN DEATH OR SERIOUS BODILY INJURY.

DO

- DO read this entire operator's manual before operating this machine. Understand all warnings, instructions, and controls.
- DO keep all guards in place and in good condition.
- DO wear safety approved hearing, eye, head and respiratory protection.
- DO read and understand all warnings and instructions on the machine.
- DO read and understand the symbol definitions contained in this manual.
- DO keep all parts of your body away from the blade.
- DO know how to stop the machine quickly in case of emergency.
- DO turn the "ON/OFF" switch to the "OFF" position prior to connecting the machine to the power source.
- DO inspect the blade, flanges and shafts for damage or dirt before installing the blade.
- DO always keep children away from this machine.
- DO use only blades marked with a maximum operating speed greater than the blade shaft speed.
- DO always use a ground fault circuit interrupter when wet sawing.
- DO read all safety materials and instructions that accompany any blade used with this machine.
- DO inspect each blade carefully before using it. If there are any signs of damage or unusual wear, **DO NOT USE THE BLADE.**
- DO mount the blade solidly and firmly. Wrench tighten the arbor nut.
- DO use the correct blade for the type of work being done. Check with blade manufacturer if you do not know if blade is correct.
- DO operate this machine only in well ventilated areas.
- DO establish a training program for all operators of this machine.
- DO clear the work area of unnecessary people. Never allow anyone to stand in front of or behind the blade while the motor is running.
- DO make sure the blade is not contacting anything before starting the motor.
- DO use caution when lifting and transporting this machine.
- DO always tie down the machine when transporting.
- DO use caution and follow instructions when setting up the machine.
- DO have all service performed by competent service personnel.
- DO make sure electric powered machines are plugged into a properly grounded circuit.
- DO make sure power cords are the proper size and in good condition.
- DO maintain a secure grip on the material being cut.
- DO verify the blade arbor hole matches the machine spindle before mounting the blade.
- DO clean the machine after each day's use.
- DO follow all electrical codes in your area.
- DO consider work area environment. Don't expose power tools to rain. Don't use power tools in wet locations.
- DO use caution to guard against electric shock. Prevent body contact with grounded surfaces (i.e., pipes, radiators, ranges, refrigerators).
- DO use correct voltage and proper extension cords. Never carry tool by cord or yank it to disconnect it from receptacle. Keep cord away from heat, oil and sharp edges.
- DO always carry the machine with the motor stopped and power cord disconnected.
- DO disconnect tools from power source when not in use, before servicing and when changing accessories.
- DO carefully maintain and clean for better and safer performance. Follow instructions for changing accessories. Inspect tool cords periodically and, if damaged, have repaired by authorized service facility.
- DO only cut in a straight line.
- DO always give a copy of this manual to the equipment user. If you need extra copies, call TOLL FREE 1-800-365-4003.

SAFETY FIRST!



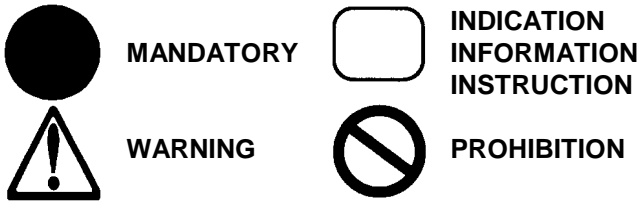
WARNING: FAILURE TO COMPLY WITH THESE WARNINGS AND OPERATING INSTRUCTIONS COULD RESULT IN DEATH OR SERIOUS BODILY INJURY.

DO NOT

- DO NOT** operate this machine unless you have read and understood this operator's manual.
- DO NOT** operate this machine without the blade guard, or other protective guards in place.
- DO NOT** stand behind or in front of the blade path while the motor is running.
- DO NOT** leave this machine unattended while the motor is running.
- DO NOT** work on this machine while the motor is running.
- DO NOT** operate this machine when you are tired or fatigued.
- DO NOT** use a wet blade without adequate water supply to the blade.
- DO NOT** exceed maximum blade speed shown for each blade size. Excessive speed could result in blade breakage.
- DO NOT** operate the machine if you are uncertain of how to run the machine.
- DO NOT** use damaged equipment or blades.
- DO NOT** touch or try to stop a moving blade with your hand.
- DO NOT** cock, jam, wedge or twist the blade in a cut.
- DO NOT** use a blade that has been dropped or damaged.
- DO NOT** use carbide tipped blades.
- DO NOT** use abrasive blades.
- DO NOT** touch a dry cutting diamond blade immediately after use. These blades require several minutes to cool after each cut.
- DO NOT** use damaged or worn blade flanges.
- DO NOT** allow other persons to be near the machine when starting or when the machine is in operation.
- DO NOT** operate this machine in an enclosed area unless it is properly vented.
- DO NOT** operate this machine in the vicinity of anything that is flammable. Sparks could cause a fire or an explosion.
- DO NOT** allow blade exposure from the guard to be more than 180 degrees.
- DO NOT** operate this machine with the blade guard removed.
- DO NOT** operate this machine unless you are specifically trained to do so.
- DO NOT** use a blade that has been over heated (Core has a bluish color).
- DO NOT** jam material into the blade.
- DO NOT** grind on the side of the blade.
- DO NOT** lay power cords in or near the water.
- DO NOT** replace the motor with any motor that does not have a special grounding connection.
- DO NOT** stand or lean on machine.
- DO NOT** start cutting with a saw until you have a clear work area and secure footing.
- DO NOT** operate this machine while using drugs or alcohol.

This saw was designed for certain applications only. DO NOT modify this saw or use for any application other than for which it was designed. If you have any questions relative to its application, DO NOT use the saw until you have written Electrolux Construction Products and we have advised you.

**Electrolux Construction Products
17400 West 119th Street
Olathe, Kansas 66061
1-800-365-4003**



MANDATORY



**INDICATION
INFORMATION
INSTRUCTION**



WARNING



PROHIBITION

These signs will give advise for your safety



Before leaving our factory every machine is thoroughly tested.

Follow our instructions strictly and your machine will give you long service in normal operating conditions.

1. Features

Use: Sawing of any kind of tile, up to 19" (482mm); diagonal of 13" x 13" (330 x 330mm) tile.

Tools: All accessories come standard with your saw; including a 10" (254mm) continuous rim Diamond Blade & Multi-Wrench

Blade Capacity: Ø 10" (250 mm)
Bore 5/8" (15.9 mm).

Blade Rotation: Counter-Clockwise (CCW).

Depth of Cut: 3-1/4" (83mm)

Cutting Length: 19" (48.3cm)

Blade Cooling: Water pump

Horsepower: 1-1/2

Voltage: 120 Volts, 60 Hertz, 1-Phase

Amperage: 15 amps (Full Load)

Blade Shaft RPM: 2800

Weight lbs. (kg.): 112 (50.8)

Dimensions (L x W x H): 39-3/4" x 22" x 20-1/2"
(101 x 55.9 x 52.1cm)

Pan Holding Capacity: 5.3 gallons (20 liters)



Before starting up the machine, make sure you read this entire manual and are familiar with the operation of this machine.



The working area must be completely clear, well lit and all safety hazards removed.



The operator must wear protective clothing appropriate to the work he is doing.



Any persons not involved in the work should leave the area.



Use only blades marked with a maximum speed greater than the blade shaft speed.

2. Benefits

Your **FELKER®** tile saw is a ruggedly constructed unit engineered to give long, satisfactory performance. Simple, daily maintenance and care will add to the life and productivity of your tile saw.

- Full 1-1/2 HP, 115V/60/1 motor for powerful cuts.
- Has a durable polymer cutting table – able to handle almost any cutting job due to its reinforced construction.
- Removable extension can also be fastened to side of cart for holding wide material.
- Cutting table designed to drain water quickly back into the water tray for efficient recycling of water.
- Cast blade guard will hinge to allow easy removal of cutting blade. Accepts up to 12" diameter blade.
- Cutting table runs on nylon wheels for smooth and accurate cuts and easy maintenance.
- Water tray of durable polymer construction to resist rust and to drain water and sediment much faster.

3. Machine Set-Up



Follow all of the assembly and installation instructions completely before connecting this saw to a power source.

UNPACKING

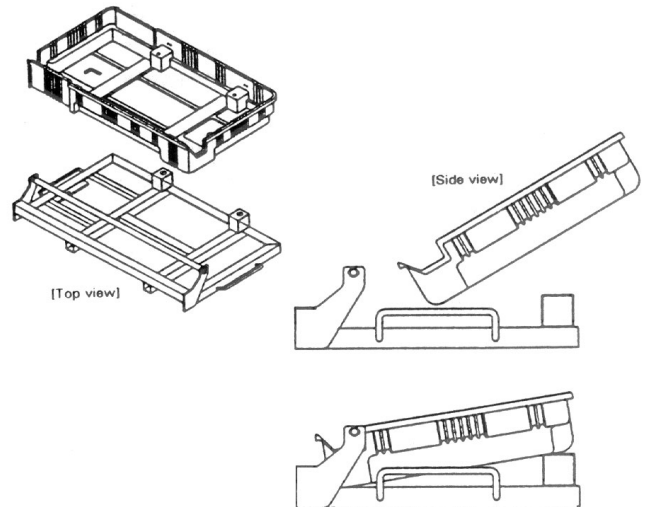
(Fig 1 – page 11 & Fig's 3 & 4 – page 12)
Carefully open the container and remove all the saw components and packing materials. Be certain you have checked each item with the checklist below before discarding the container or the packing materials. The contents are as follows:

1. Operator's Manual
2. Cutting Head Assy
3. Frame w/Cart
4. Water Tray
5. Blade Guard
6. Blade – 10" [250mm]
7. Water Pump, 115V/60
8. Motor Support Shaft
9. Multi-Wrench
10. Rip Guide
11. Accessories: Cart Extension, Bullnose Miter, Dual 45° Miter & Adj. Protractor

NOTE: IF ANY OF THE PARTS ARE MISSING OR DAMAGED PLEASE CONTACT YOUR FELKER CUSTOMER SERVICE FOR INSTRUCTIONS. CALL 1-800-365-4003

GENERAL ASSEMBLY INSTRUCTIONS

- Assemble Saw Stand (Fig 1). Set on level surface and lock both wheels to resist movement while placing Saw on Stand.
- Fasten Saw Frame Assembly onto assembled Saw Stand using T-Knobs. (10, Fig 1B)
- Install Water Tray Assembly to Frame. (Fig 2)
- Install Motor Support Shaft in Rear Support Post. (3, Fig 3)
- Install Motor Cutting Head on Motor Support Shaft. (1, Fig 3)
- Install Blade Guard Assembly onto Cutting Head. (1, Fig 4) Attach Splash Flap to rear of Guard.
- Place Water Pump Assembly in Water Tray and connect Tubing from Blade Guard. Plug cord into Water Pump Outlet on the side of Power Switch Housing.
- Install the 10" continuous rim Diamond Blade. (6, Fig 4)
- Install Cart Extension and Accessories as needed.



WATER TRAY INSTALLATION

FIG 2

ASSEMBLING THE SAW STAND (FIGS. 1A & B)

- Open carton and remove all the Saw Stand Parts.
- Attach the two Wheels (3) to the Inner Frame (2) with the M6x45 Cap Screws (4). Retain with the M6 Flatwashers (5) and Locknuts (6) as shown in Fig 1A. Tighten Securely.
- Set the Inner Frame (2) inside the Outer Frame (1) as shown in Fig 1B.
- Install the two M10x56 Cap Screws (7) through the pivoting holes in the legs of each frame. Retain with the M10 Flatwashers (8) and Locknuts (9).
- After the Saw Stand is completely assembled as shown and all fasteners are securely tightened, the tile saw can be installed on Stand using the two Saw Stand Knobs (10, Fig 1B).

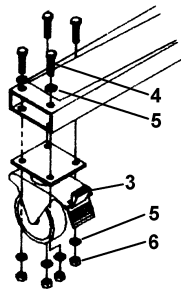


Fig 1A

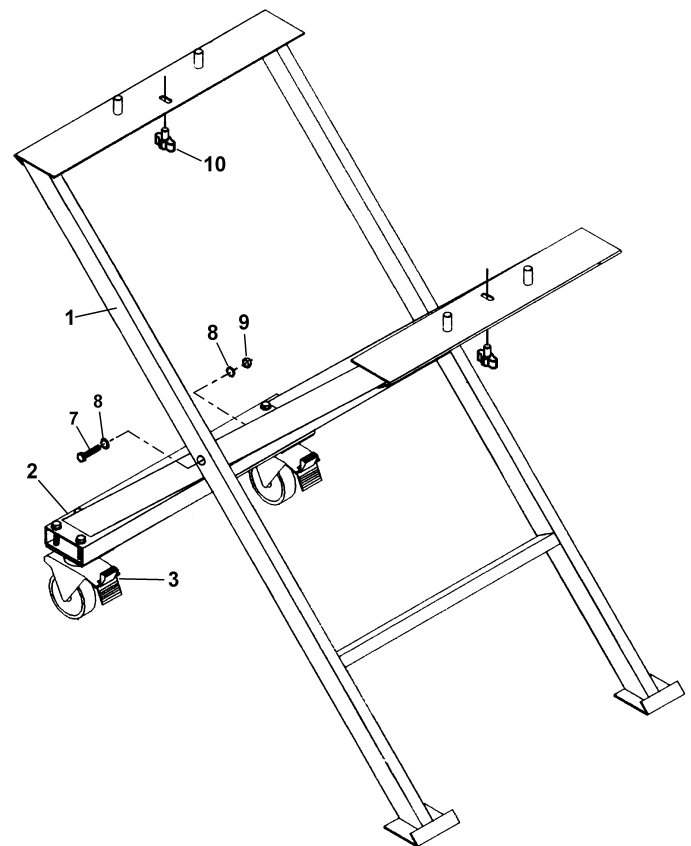


Fig 1B

CUTTING HEAD INSTALLATION

(FIG 3)

- Remove Cutting Head Assembly (1) and Frame and Pan Assembly (2) from carton.
- Using the multi-wrench provided, install the Motor Support Shaft (3) into the Rear Support Post (4). Install and tighten the Capscrew (5) with washer to retain the Support Shaft (3).
- Slide the Cutting Head Assembly (1) onto the now installed Motor Support Shaft (3) fully against the Rear Support Post (4). Install the Head Locking Knob and Washer (6) through the adjustment slot in the Rear Support Post (4) and into the tapped hole on the side of the Cutting Head Assembly (1) base.
- Install and tighten Capscrew (7) with Washer to retain the Cutting Head Assembly (1) on the Support Shaft (3).
- With the Head Locking Knob (6) loosened, pivot the Cutting Head (1) up for Blade Guard and Blade installation.

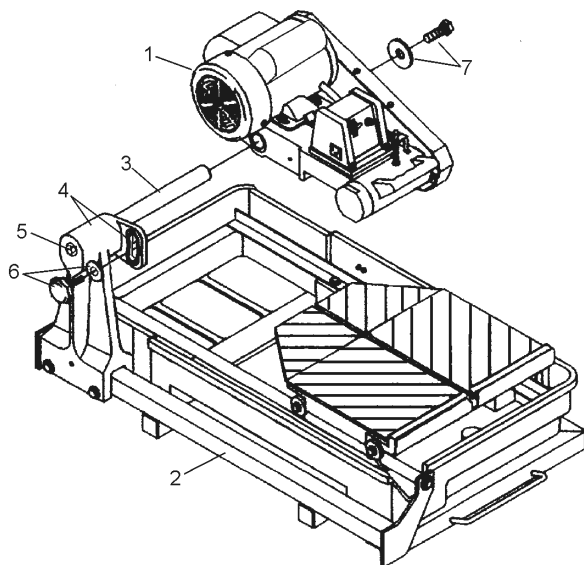


Fig 3

FITTING OR CHANGING THE BLADE

(FIG 4)



BLADE INSTALLATION AND REMOVAL

- Turn motor switch off.
- Disconnect power cord.
- Carefully raise the blade guard (1) to its highest position and tighten the adjustment knob (6, Fig 3) on the rear support to hold firmly in place while installing blade (6).
- Remove the blade shaft nut (4) and the outer flange (5). With one hand, depress the spring loaded shaft lock (8) and loosen the blade shaft nut (4) with the wrench provided. Turn nut counter-clockwise to loosen.
- Place blade onto the shaft, pushing it up against the Pulley/Inner Flange (7). Make sure the blade (6) is mounted with the directional arrow pointing counter-clockwise.
- Next replace the outer flange (5) and blade shaft nut (4). Again depress the shaft lock (8) and tighten nut (4) clockwise with multi-wrench. **Do not over-tighten.** Release Shaft lock (8).
- Lower the blade guard (1) into operating position and tighten the knob (3).

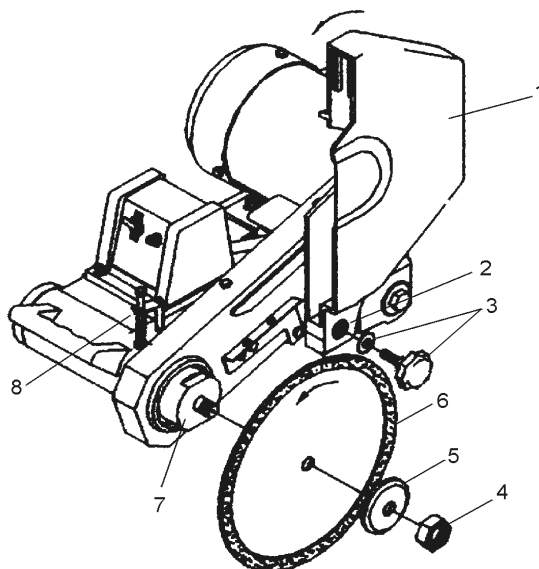


FIG 4

WATER PUMP INSTALLATION

- Remove the Water Pump from its packaging and check it to be sure it is not cracked or damaged in any way.
- Attach the end of the plastic tubing from the blade guard and to the water pump.
- Place the water pump in the rear of the water tray and be sure it is below the water level. Route 8mm tubing out of the Pump and up to the “Y” Fitting on the Blade Guard.
- Keep the power cord out of the water and plug into the receptacle on the side of the Power Switch Housing.

WATER PUMP SAFETY GUIDELINES AND MAINTENANCE.



Always plug the saw power cord into a GFCI outlet when using. If a GFCI type outlet is not available, use a plug-in type GFCI plugged into a properly grounded outlet. Do not use any temporary plug adapters.

- The water pump is equipped with a ground electrical plug, to reduce the risk of possible shock. Be sure to connect to a properly grounded type receptacle.
- Never pick the water pump up out of the water when it is plugged in.
- **DO NOT EVER** use the water pump to pump anything but water.
- Never service the pump when it is still plugged in.
- Never let the pump operate dry. It is self-cooled by pumping water. Dry use will cause the pump to fail.
- Maintain regularly and clean out debris from intake screen.
- Check the power cord for nicks or frays and never try to alter the power cord in any way.



Pay attention to the direction of rotation shown by the arrow on one side of the Blade (rotation is the opposite direction to the tightening of the nut). Blade should rotate counter-clockwise when facing the bladeshaft nut.



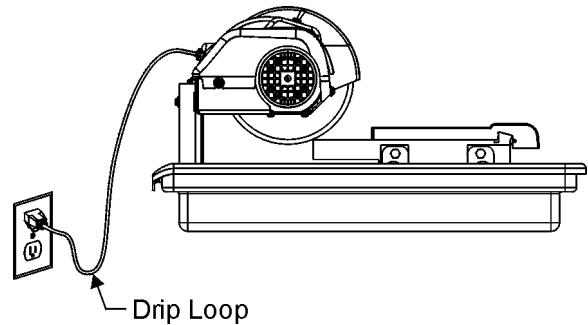
Make sure that the supporting surfaces of the Blade, the Flanges and the arbor are clean before installing the Blade.

ELECTRICAL CONNECTIONS

- ONLY use a grounded circuit.
- Use the correct plug and outlet.
- Check that the main voltage is identical to that of the machine.

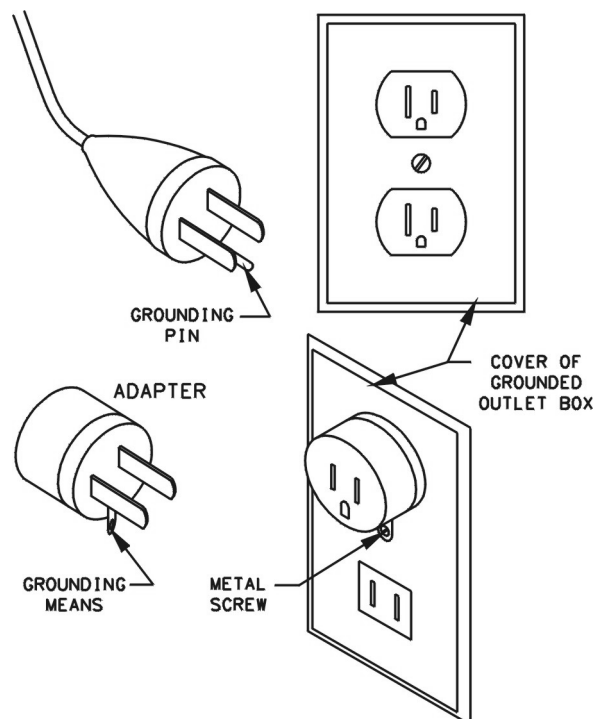
POSITION OF TILE SAW

- Position the saw to one side of a wall-mounted receptacle to prevent water from collecting onto the receptacle or plug. The user should also create a “drip loop” in the cord. The “drip loop” is that part of the cord below the level of the receptacle, or the connector if an extension cord is used, to prevent water traveling along the cord and coming in contact with the receptacle.



- If the plug or receptacle does get wet, **DO NOT** unplug the cord. Disconnect the fuse or circuit breaker that supplies power to the receptacle. Then unplug and examine for presence of water in the receptacle.

GROUNDING METHODS



Note: The Canadian electrical Code prohibits the use of adapters.

EXTENSION CORDS

- Use only extension cords that are intended for outdoor use. These cords are identified by a marking "Acceptable for use with outdoor appliances; store indoors while not in use." Use only extension cords having an electrical rating not less than the rating of the product. Do not use damaged extension cords. Examine extension cord before using and replace if damaged. Do not abuse extension cords and do not yank on any cord to disconnect. Keep cord away from heat and sharp edges. Always disconnect the extension cord from the receptacle before disconnecting the saw from the extension cord.

Minimum wire gage for cord

Ampere Rating		Total length of cord in feet			
		25ft.	50 ft.	100 ft.	150 ft.
More Than	Not more Than	AWG			
12	16	14	12	Not recommended	

- WARNING** - To reduce the risk of electrocution, keep all connections dry and off the ground. Do not touch plug with wet hands.
- Ground Fault Circuit Interrupter (GFCI) protection should be provided on the circuit(s) or outlet(s) to be used for the tile saw. Receptacles are available having built-in GFCI protection and may be used for this measure of safety.



Before any examination, unplug the machines power cord.

4. Operating Procedures



- Always be very careful.
- Find a comfortable, well-balanced position.
- Always keep protective casing in place while working.

- Place the machine on a dry surface or the optional stand.
- Fill the holding tank with clean water [holds 5.3 gallons (20 liters)].
- Plug the machine into the correct power outlet and turn the motor switch to the "On" position.

CUTTING TABLE

THE CUTTING TABLE IS MARKED IN INCHES AND MILLIMETERS TO MAKE YOUR DIMENSIONAL CUTS ACCURATE.

STEPS FOR POSITIONING THE 90 DEGREE RIP

- Slide the rip guide onto the table backstop from one end.
- Set the rip guide by positioning it at the desired point on the front end of the cutting table front lip and flipping down the thumb lock until the rip guide is firmly locked in place. Note that the thumb lock will hold accessory firmly in place without using the full travel of the thumb lock. Additional movement is designed for any long term wearing that may be experienced. Unnecessary clamping with the thumb lock could raise the end of the accessory up off the table surface.
- The rip guide can be used for straight 90° cuts from both the left and right sides.
- After the rip guide is positioned for the desired cut, place material flush against the rip guide and the measurement rail.
- Now you are ready to make your cut.



After completing any work, switch off the machine. There is no point in leaving the motor running and the blade turning.

QUICK TIPS FOR WATER PUMP OPERATION

If you are having trouble getting water flow properly through the water pump, try this:

- First, check to see that the pump is fully submerged in water. Fill the water tray with clean water to completely cover the pump.
- Second, check to see if all tubing is connected to the pump correctly and its feeds are properly attached.

Sometimes the tubing is not pushed far enough into its attachment, allowing water to escape at the attachment point. Simply push tubing firmly into fitting until it stops and will not pull back out.

- Third, if problems still persist, there is also a chance that debris or sediment is clogging the water pump intake screen, the pump impeller or inside the tubing.
 - Clearing these areas with fresh water can alleviate the clogging. The build up sediment needs to be cleaned from the bottom of the Water Tray and the intake screen cleaned. Fill tray with fresh water.
 - With pump intake removed, look inside the area impeller and check for debris. Clean as needed with fresh water.
 - If the tubing is clogged, remove ends from the water pump and Blade guard fitting. Flush with fresh water until all debris is removed and reconnect tubing.

WATER TUBING REMOVAL

Plastic tubing connects the water pump to the blade guard. The fittings used to connect this tubing seal and grip the outside diameter of the tubing. Special internal locking fingers attached to the flanged collet hold the tubing fast. To clean the water tubing requires the tubing to be removed from the fittings. To release the tubing from the fitting, fully depress the collet before pulling the tube out of the fitting. When you press down on the collet you are opening the locking fingers and freeing the tubing to be easily removed.

WATER TRAY REMOVAL AND INSTALLATION THE REMOVAL AND INSTALLATION OF THE WATER TRAY IS EASY. See Fig 2 above.

- First turn off the saw and unplug the power cord. Do the same for the water pump.
- Then remove water pump from tray.
- Then take frame and motor assembly out of the water tray.
- Take tray and drain water and contents (sediment)
- To install simply reverse this process.

NOTE: THERE ARE NO ADJUSTMENTS TO WATER TRAY

recommended that the Parallel Alignment in step 2 be checked to insure the best quality cuts.

2. Check the Parallel Alignment

- The conveyor cart must travel parallel to the plane of the flat blade.
- Place a square rule against the backstop, lightly in contact with the blade. The blade surface should be parallel to the square; i.e., no gap between the blade and the square at either the front or back edge of the blade. Next, holding the square firmly traverse the cart fore and aft. The blade should remain parallel to the square, staying slightly in contact with it throughout its full travel. If the blade does not stay in contact with the square, the Parallel Alignment must be performed.

Parallel Alignment (See Diagram 1)

- Loosen the front two Roller Guide fasteners (Item 5). Move the Roller Guide Bar (item 5) and Cart by the Adjustment Clamp until the square is flush with the blade. Tighten the fasteners and recheck the alignment again. The cart should now travel parallel to the blade and the blade should be centered in the slot.

5. Alignment Procedures

Your *FTS-150* tile saw is factory assembled and aligned prior to shipment to ensure accurate cuts when your saw is delivered. However, since **FELKER** can not control rough handling during shipping, it is suggested that the alignment be checked. If the saw is found in need of adjustment, refer to the appropriate section(s) below.

There are two basic alignment checks for the saw and any adjustments made must follow these procedures to ensure that the unit functions freely.

Adjustment tools required: Carpenter's Square and the multi-wrench provided with your new saw.

1. Check the Blade in Slot Alignment

- The blade should be centered in the conveyor cart slot.
- Set-up your saw as described above, move the conveyor cart back and forth from the front to the rear of the pan. If the blade contacts either side of the slot, the Cart Slot Location Adjustment must be performed.

Cart Slot Location Adjustment (See Diagram 1)

- Move the Conveyor Cart so the Blade is approximately midway between the front and back of Cart. Loosen the two Roller Guide Bar fasteners (Item 5) [Use the 10mm & 16mm ends of wrench (Item 51)] on end fasteners. Move the adjustment clamp, Roller Guide Bar (Item 5) and Cart together until the blade is centered in the slot. Tighten the fasteners. It is

6. Maintenance



Before performing any maintenance, ALWAYS place the machine on a level surface with the motor OFF and disconnect the electrical current. Let the machine cool down!!

FOR LONGEST LIFE AND BEST PERFORMANCE

- Always clean the saw after every use.
- Wipe all of the exterior sediment or dirt off the motor. **Never spray water directly onto the motor!**
- Wipe all exterior surfaces and keep the cutting table clean and free of all debris.
- Wipe the roller guide bar on the frame.
- Always check the blade for cracks or signs of damage.

OPTIONAL ACCESSORIES

- #185004 Stand with wheels
- #185282 Cart Extension
- #169872 Adjustable 90° Protractor
- #169871 Dual 45° Miter Guide
- #169870 Bullnose Miter Guide



**Store in a safe place, out of reach of children.
Maintain all tools carefully.**

7. Trouble Shooting Guide

Saw won't start, saw is too slow to start, Blade doesn't turn and motor makes "Humming" noise

- Make sure plug is in live electrical circuit.
- Voltage from source may be too low.
- Start Capacitor defective. Replace.

SAW SHUTS OFF ABRUPTLY

- Power is interrupted, check power source and restart the saw.
- Voltage from source may be too low. Check for low voltage.
- Motor was overloaded. Reset overload Circuit Breaker. Motor may need to cool before Breaker will reset.
- GFCI may have tripped. Turn off saw, reset and try again. If GFCI trips a second time, contact a qualified service center.

WATER PUMP SYSTEM WON'T START OR STOPS ABRUPTLY

- Check to see that pump is plugged in and is connected to plastic tubing.
- Check to see if pump is completely submerged.
- Check to see if the water pump is clean and free of any chips, debris, clogging, etc.

SAW WON'T CUT STRAIGHT

- Check to see if saw frame or rolling guide bar is bent.
- Check to see if the support for the cutting table is bent.
- Blade worn or dull. Check for possible defective blade.
- Materials may have been pushed or forced through the cut. Blade has to machine away material for a clean cut. Excessive forcing can crack to tile.
- Check cart tracking adjustment.

SAW BLADE DOESN'T CUT WELL

- Blade needs to be dressed.
- Blade may be mounted on saw backwards.
- Blade may be worn or damaged.
- Blades life may be used up (old blade).



The manufacturer accepts no Responsibility caused by unsuitable use or modifications. At the workstation, the sound pressure level may exceed 85 dB (A). In this case hearing protection must be worn.

8. Repairs



Entrust all repairs to your authorized dealer only.

We carry out all repairs in the shortest possible time and at the most economical prices. (See front page for our address and phone numbers) Contact your authorized **FELKER®** dealer concerning maintenance and repairs.

9. Spare Parts

For quick supply of spare parts and to avoid any lost time, it is essential to quote the data on the manufacturer's plate fixed to the side of the motor and the part number(s) and description to be replaced with every order.

The instructions for use and spare parts found in this document are for information only and are not binding. As part of our product quality improvement policy, we reserve the right to make any and all technical modifications without prior notice.



The manufacturer accepts no responsibility caused by unsuitable use or modifications.

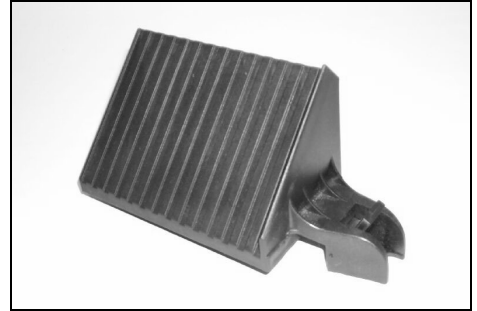
10. Accessory Use & Installation



169872 ADJ. PROTRACTOR
Fig 55, Diagram 1



169871 DUAL 45° MITER
Fig 56, Diagram 1



169870 45° BULLNOSE GUIDE
Fig 57, Diagram 1

CART EXTENSION: P/N 185282

The Extension adds supportive length to the Cutting Table. Use when cutting tile that extends beyond the front end of the basic cart. Install with fasteners provided. Adjust so top of the Extension is level with the top of the Cutting Table. A second extension can also be purchased and fastened to the outside of the cutting table if additional support is needed for cutting wide material.

RIP GUIDE: P/N 169887

The Rip Guide is used to provide a repeatable position for rip cuts. The Rip Guide clamps to the special designed backstop of the cutting table.

90° ADJUSTABLE PROTRACTOR: P/N 169872

The Protractor can be used to rip cut known angles. The protractor clamps to the backstop.

DUAL 45° ANGLE GUIDE : P/N 169871

This is a non-adjustable miter used to quickly position the tile at 45 degrees; either on the left or right side. It is often used for repeated diagonal rip cuts. The Angle Guide clamps to the backstop.

BULLNOSE MITERING GUIDE: P/N 169870

This is a fixed guide that positions the tile for a 45 degree miter cut. The Miterring Guide clamps to the backstop.

FOLDING STAND: P/N 185004

See Stand Assembly Instruction. The stand comes with two wheels at the rear. Each wheel has its own sturdy brake. The stand is designed with locating pins at each end to locate the saw frame and securely fastens to the underside of the frame with two knobs. When saw is removed, the stand conveniently folds flat for storage and transporting.

Instructions for Fastening the Cutting Accessories

1. Fully raise the Accessory Thumb Lock and slide the Accessory onto the Cart Backstop from either side.
2. Locate the Accessory by sliding it to the desired position along the ruled Backstop on the front end of the cutting table.
3. When at the desired location, flip down the thumb lock until it is firmly locked in place.

Note: The thumb lock will hold the accessory firmly in place without using the full travel of the thumb lock. Unnecessary clamping with the thumb lock could raise the end of the accessory up off the table surface. Additional movement is designed for any long term wearing that may be experienced.

LA SÉCURITÉ AVANT TOUT !



ATTENTION: LE NON RESPECT DE CES MISES EN GARDE ET INSTRUCTIONS D'UTILISATION PEUT ENTRAÎNER LA MORT OU DES BLESSURES CORPORELLES GRAVES

FAIRE

- Faire** Lire ce manuel d'utilisation entièrement avant d'utiliser cette machine. Comprendre toutes les mises en garde, les instructions et les commandes.
- Faire** Toujours maintenir les protections en place et en bonne condition.
- Faire** Porter des protections de sécurité approuvées pour les oreilles, les yeux, les voies respiratoire et la tête.
- Faire** Veiller à lire et à comprendre toutes les mises en garde et instructions figurant sur la machine.
- Faire** Lire et comprendre les définitions de symboles contenus dans ce manuel.
- Faire** Rester à l'écart du disque.
- Faire** Savoir comment arrêter rapidement la machine en cas d'urgence.
- Faire** Placer l'interrupteur « marche-arrêt » (ON/OFF) à la position d'ARRÊT (OFF) avant de brancher la machine à la source de courant.
- Faire** Avant de mettre le disque en place, vérifier qu'il n'est pas abîmé, que les flasques et arbres ne sont pas endommagés ni sales.
- Faire** Ne jamais laisser les enfants s'approcher de la machine.
- Faire** Utiliser uniquement des disques indiquant une vitesse maximale de fonctionnement supérieure à la vitesse de la broche.
- Faire** Lors du sciage à l'eau, toujours utiliser un disjoncteur différentiel.
- Faire** Lire tous les documents et consignes de sécurité qui accompagnent les disques utilisés avec cette machine.
- Faire** Contrôler chaque disque avant de l'utiliser. Si des signes d'endommagement ou d'usure anormale sont constatés, NE PAS UTILISER CE DISQUE.
- Faire** Monter le disque de façon solide et ferme, resserrer l'écrou de l'arbre avec une def.
- Faire** Utiliser un disque approprié au type de travail à accomplir. Contacter le fabricant de disque en cas d'incertitude concernant le disque à utiliser.
- Faire** Ne faire fonctionner la machine que dans des zones bien ventilées.
- Faire** Élaborer un programme de formation pour tous les utilisateurs de cette machine.
- Faire** Dégager la zone de travail de toute personne qui ne soit pas nécessaire. Ne jamais autoriser qui que ce soit à se tenir devant ou derrière le disque lorsque le moteur est en marche.
- Faire** Vérifier que le disque n'est pas en contact avec quoi que ce soit avant de mettre le moteur en marche.
- Faire** Faire attention en soulevant et en transportant cette machine.
- Faire** Toujours attacher la machine avant de la transporter.
- Faire** Prendre des précautions et suivre les instructions pour la mise en place de la machine.
- Faire** Faire faire l'entretien par un personnel compétent.
- Faire** Vérifier que les machines électriques sont branchées sur un circuit correctement mis à la terre.
- Faire** Vérifier que les cordons électriques ont le calibre correct et sont en bon état.
- Faire** Maintenir fermement le matériau à scier.
- Faire** Avant de monter le disque, s'assurer que le trou de l'arbre de disque correspond à l'arbre de la machine.
- Faire** Nettoyer la machine après chaque utilisation journalière.
- Faire** Observer tous les codes électriques en vigueur sur le plan local.
- Faire** Vérifier l'aire de travail. Ne pas exposer les outils électriques à la pluie. Ne pas utiliser d'outils électriques dans des endroits mouillés.
- Faire** Prendre des précautions pour éviter les secousses électriques. Éviter le contact du corps avec des surfaces reliées à la terre (ex. : tuyaux, radiateurs, cuisinières, réfrigérateurs).
- Faire** Utiliser la tension correcte et les rallonges de cordon appropriées. Ne jamais transporter l'outil en le tenant par son cordon ni tirer d'un coup sec sur le cordon pour débrancher la fiche de la prise de courant.
- Faire** Maintenir le cordon éloigné de la chaleur, de l'huile et des bords coupants.
- Faire** Toujours arrêter le moteur et débrancher le cordon avant de transporter la machine.
- Faire** Débrancher les outils de la source d'alimentation électrique lorsqu'ils ne sont pas utilisés, avant de faire leur entretien et de changer des accessoires.
- Faire** Pour obtenir les meilleures performances et le fonctionnement le plus sûr, effectuer un entretien et un nettoyage soigneux. Suivre les instructions pour changer les accessoires. Inspecter régulièrement les cordons des outils et, s'ils sont endommagés, les faire réparer par un centre d'entretien agréé.
- Faire** Ne scier qu'en ligne droite.
- Faire** Toujours donner une copie de ce manuel à l'utilisateur de la machine. Si d'autres copies sont nécessaires, contacter **TOLL FREE** 1-800-365-4003.

LA SÉCURITÉ AVANT TOUT !



ATTENTION : LE NON RESPECT DE CES MISES EN GARDE ET INSTRUCTIONS D'UTILISATION PEUT ENTRAÎNER LA MORT OU DES BLESSURES CORPORELLES GRAVES

NE PAS FAIRE

- NE PAS** utiliser cette machine avant d'avoir lu et compris ce manuel de fonctionnement.
- NE PAS** utiliser cette machine sans protection de disque ou sans qu'une autre protection soit montée.
- NE PAS** se tenir derrière ou devant le chemin du disque lorsque le moteur est en marche.
- NE PAS** laisser la scie sans surveillance lorsque le moteur tourne.
- NE PAS** réparer la machine lorsque le moteur tourne.
- NE PAS** utiliser la machine lorsque l'on est fatigué.
- NE PAS** utiliser de disque pour sciage à eau sans avoir un approvisionnement en eau suffisant pour le disque.
- NE PAS** dépasser la vitesse maximale de disque indiquée pour chaque taille de disque. Une vitesse excessive pourrait casser le disque.
- NE PAS** utiliser cette machine lorsque l'on n'est pas certain de savoir comment elle fonctionne.
- NE PAS** utiliser d'équipements ou de disques endommagés.
- NE PAS** toucher ou essayer d'arrêter un disque en mouvement avec la main.
- NE PAS** incliner, coincer, serrer ou tordre le disque dans l'entaille.
- NE PAS** Ne pas utiliser de disque qui est tombé ou endommagé.
- NE PAS** utiliser de disques à pointe carbure.
- NE PAS** Ne pas utiliser de disque abrasif.
- NE PAS** toucher un disque diamanté pour sciage à sec immédiatement après usage. Ces disques ont besoin de plusieurs minutes pour refroidir après chaque sciage.
- NE PAS** utiliser de flasques de disque endommagés ou usés.
- NE PAS** autoriser d'autres personnes à se trouver près de la machine lors des opérations de mise en marche, d'appoint en carburant ou de sciage.
- NE PAS** faire fonctionner cette machine dans un espace clos sauf s'il dispose d'une ventilation appropriée.
- NE PAS** faire fonctionner cette machine près de tout corps inflammable. Des étincelles pourraient provoquer un incendie ou une explosion.
- NE PAS** autoriser la partie exposée hors de la protection du disque à être supérieure à 180 degrés.
- NE PAS** Ne pas utiliser cette machine lorsque la protection de disque est retirée.
- NE PAS** utiliser cette machine si l'on n'a pas été spécialement formé pour cela.
- NE PAS** utiliser un disque qui a surchauffé. (Le noyau a une couleur bleue).
- NE PAS** coincer de matériaux dans le disque.
- NE PAS** meuler la partie latérale du disque.
- NE PAS** Ne pas poser les cordons électriques dans l'eau ni près de l'eau.
- NE PAS** Ne pas remplacer le moteur par un autre qui n'est pas muni d'une connexion spéciale de mise à la terre.
- NE PAS** Ne pas se tenir debout sur la machine ni s'appuyer dessus.
- NE PAS** Ne pas commencer à scier si la zone de travail n'est pas dégagée et si l'on ne peut se tenir en bon équilibre.
- NE PAS** utiliser la scie sous l'influence de drogues ou d'alcool.

.....

Cette scie a été conçue pour des utilisations spécifiques. NE PAS modifier cette scie pour toute utilisation autre que celle pour laquelle elle a été conçue. En cas de doutes concernant son utilisation, NE PAS utiliser la scie avant d'avoir écrit à Electrolux Construction Products et d'avoir reçu une réponse.

**Electrolux Construction Products
17400 West 119th Street
Olathe, Kansas 66061
États-Unis**

¡SEGURIDAD ANTE TODOS!



ADVERTENCIA: EL NO RESPETAR ESTAS ADVERTENCIAS E INSTRUCCIONES DE OPERACION PUEDE PROVOCAR GRAVES LESIONES O LA MUERTE.

HACER

- SI lea todo el manual antes de manejar esta máquina. Entienda todas las advertencias, instrucciones y controles.
- SI mantenga siempre las protecciones en su lugar y en buenas condiciones.
- SI siempre use protecciones aprobadas para los oídos, ojos, cabeza y respiración.
- SI lea y entienda todas las advertencias e instrucciones sobre la máquina.
- SI lea y entienda las definiciones de los símbolos que aparecen en este manual.
- SI No acerque ninguna parte del cuerpo a la hoja.
- SI aprenda cómo parar la máquina rápidamente en caso de emergencia.
- SI ponga el interruptor en la posición OFF antes de corectarlo a la fuente de poda.
- SI Inspeccione la hoja, las bridas y los ejes para ver si están dañados o sucios antes de instalar la hoja.
- SI utilice hojas abrasivas, o bien, hojas diamantadas con centro de acero fabricadas para utilización en sierras para albañilería.
- SI Cuando sierre en húmedo, use siempre un interruptor de circuito con puesta a tierra accidental.
- SI lea toda la literatura e instrucciones de seguridad que acompañan a la hoja utilizada con esta máquina.
- SI inspeccione cuidadosamente cada hoja antes de usarla. Si se observan señales de daño o desgaste poco común, **NO USE LA HOJA.**
- SI instale la hoja firmemente. Apriete la tuerca del eje con un aprietatuercas.
- SI utilice la hoja correcta para el tipo de trabajo que se vaya a ejecutar. En caso de dudas, consultar con el fabricante de la hoja.
- SI maneje esta máquina solamente en lugares bien ventilados.
- SI establezca un programa de entrenamiento para todos los operadores de esta máquina.
- SI despeje el lugar de trabajo de personas innecesarias. No permita que nadie se sitúe delante o detrás de la hoja mientras el motor está funcionando.
- SI asegúrese que la hoja no esté haciendo contacto con ninguna cosa antes de arrancar el motor.
- SI tenga cuidado al levantar y transportar esta máquina.
- SI siempre amarre bien la máquina cuando la transporte.
- SI sea cuidadoso y siga las intrucciones al instalar la máquina.
- SI deje que todos los trabajos de mantenimiento los haga personal especializado.
- SI asegúrese de enchufar las máquinas eléctricas a un circuito debidamente conectado a tierra.
- SI asegúrese que los cordones eléctricos sean del tamaño correcto y estén en buenas condiciones.
- SI sujete bien el material que está cortando.
- SI antes de instalar la hoja, verifique que el agujero del eje de la hoja coincida con el eje portaherramienta de la máquina.
- SI limpie la máquina diariamente.
- SI cumpla con el reglamento eléctrico de su localidad.
- SI tenga en cuenta el medio ambiente de la zona de trabajo. No exponga útiles eléctricos a la lluvia. no use útiles eléctricos en lugares húmedos.
- SI sea cuidadoso para evitar golpes eléctricos. Evite el contacto corporal con las superficies conectadas a tierra de protección (como tuberías, radiadores, refrigeradores, etc.).
- SI use el voltaje correcto y un cable de extensión adecuado. Nunca transporte la herramienta colgando del cable y nunca tire del cable para desenchufarlo. Aleje el cable del calor, aceite y de las aristas filudas.
- SI Transporte siempre la máquina con el motor apagado y el cable de alimentación desconectado.
- SI desenchufe los equipos cuando no los usa, antes de hacer mantenimiento y al cambiar accesorios.
- SI limpie y efectúe un mantenimiento cuidadoso para obtener un rendimiento mejor y más seguro. Siga las instrucciones al cambiar accesorios. Revise los cables del equipo con frecuencia y, si hay daños, hágalos reparar por un servicio autorizado.
- SI sólo corte en línea recta.
- SI sólo corte tan profundamente como las especificaciones del trabajo lo requieren.
- SI siempre entregar un ejemplar de este manual al usuario del equipo. Si se necesitan ejemplares adicionales, llamar SIN CARGO al 1-800-365-4003.

¡SEGURIDAD ANTE TODOS!



ADVERTENCIA: EL NO RESPETAR ESTAS ADVERTENCIAS E INSTRUCCIONES DE OPERACION PUEDE PROVOCAR GRAVES LESIONES O LA MUERTE.

NO HACER

- NO haga funcionar esta máquina sin antes haber leído y entendido este manual.
- NO maneje esta máquina sin tener la protección de la hoja u otras protecciones instaladas en su lugar.
- NO se sitúe detrás del paso de la hoja mientras el motor está funcionando.
- NO deje esta máquina desatendida mientras el motor está funcionando.
- NO trabaje en esta máquina mientras el motor está funcionando.
- NO maneje esta máquina si está cansado o fatigado.
- NO utilice una hoja de corte húmedo sin tener el suministro adecuado de agua.
- NO sobrepase la velocidad máxima indicada para cada tamaño de hoja. El exceso de velocidad puede causar la rotura de la hoja.
- NO trabaje con la máquina si tiene dudas sobre su funcionamiento u operación.
- NO utilice equipos u hojas que estén dañados.
- NO toque ni trate de parar con las manos una hoja en movimiento.
- NO incline, atasque, encaje o tuerza la hoja en el corte.
- NO use un disco que haya sufrido un golpe o caída.
- NO use discos con puntas de carburo.
- NO use discos abrasivos.
- NO toque una hoja diamantada de corte en seco inmediatamente después de usarla. Estas hojas se demoran varios minutos en enfriarse después de cada corte.
- NO use bridas de hojas que estén dañadas o desgastadas.
- NO permita que nadie se acerque a la máquina durante la puesta en marcha o mientras la máquina está funcionando.
- NO maneje esta máquina en un lugar encerrado a menos que tenga buena ventilación.
- NO maneje esta máquina cerca de ningún objeto que sea inflamable. Las chispas podrían causar un incendio o una explosión.
- NO permita que la hoja sobresalga más de 180 grados del protector.
- NO maneje esta máquina sin el protector de la correa o de la hoja.
- NO maneje esta sierra sin estar capacitado para hacerlo.
- NO utilice una hoja que se ha sobrecalentado (el núcleo tiene un color azulado).
- NO atasque el material contra la hoja.
- NO esmerile con el costado de la hoja.
- NO deje los cables eléctricos en o cerca del agua.
- NO cambie el motor por alguno que no tenga una conexión especial de tierra de seguridad.
- NO empiece a cortar con la sierra hasta que tenga un área de trabajo limpia y los pies fijos.
- NO maneje la sierra si está bajo la influencia de drogas o bebidas alcohólicas.
- NO Póngase de pie sobre la máquina o inclínese sobre la misma.

Esta sierra fue diseñada para ciertas aplicaciones solamente. NO la modifique ni utilice para ninguna otra aplicación salvo aquéllas para las cuales fue diseñada. En caso de dudas respecto a su aplicación, NO use la sierra sin antes haber consultado por escrito a Electrolux Construction Products y haber recibido nuestras indicaciones.

**Electrolux Construction Products
17400 West 119th Street
Olathe, Kansas 66061
1-800-365-4003**

DIAGRAM 1

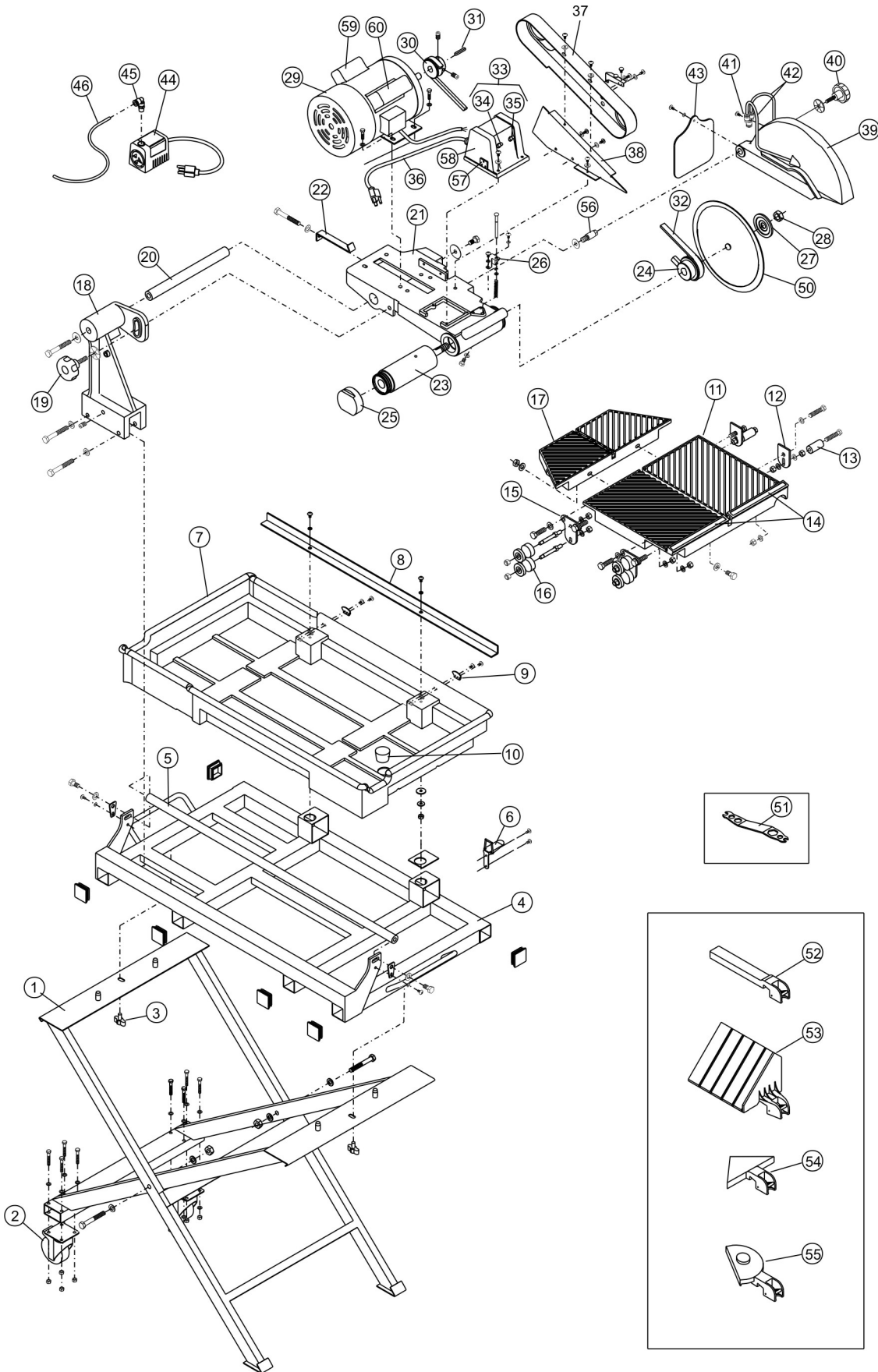
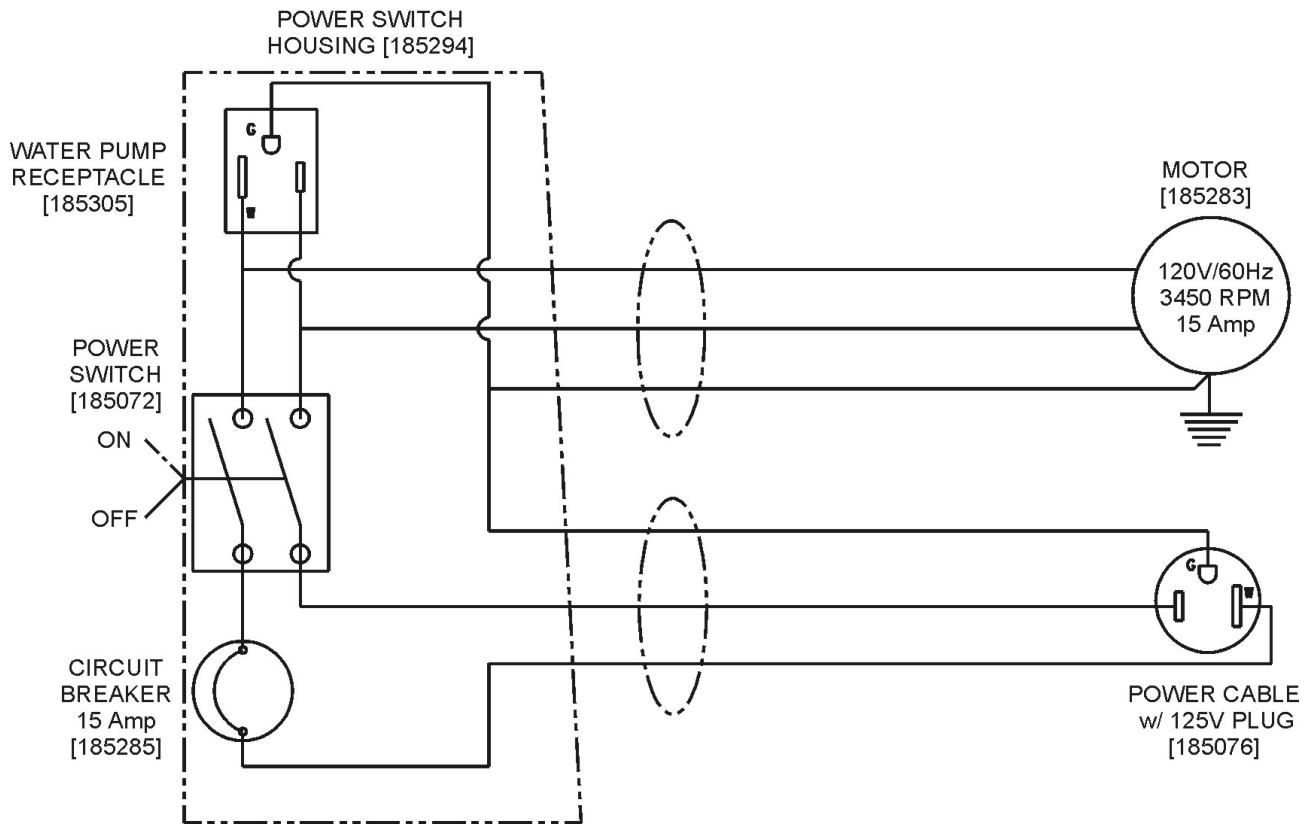


DIAGRAM 1 – FTS-150 PARTS LIST

DIAG. LOC.	PART NO.	QTY REQ	DESCRIPTION	DIAG. LOC.	PART NO.	QTY REQ	DESCRIPTION
1	185004	1	Stand Assy (Incls. 1, 2, & 3)	32	185080	1	V-Belt (A-813)
2	185017	2	Wheel w/ Brake & fasteners	33	185294	1	Power Switch Housing Assy (Incls. 33 – 35 & 57-58)
3	185018	2	Knobs, M8x16	34	185072	1	Switch, Power w/ Mtg Nut & Nameplate
4	185019	1	Fame Assy (incls. 4 & 6)	35	185285	1	Circuit Breaker w/ Mtg Nut -20A
5	185020	1	Bar, Roller Guide w/ fasteners & clamps	36	185076	1	Cable, Power w/ 125V Plug
6	185275	2	Latch, Draw w/ fasteners	37	185302	1	Belt Guard Assy (Incls. Bld/Grd & Bld/Grd Rest)
7	185023	1	Water Tray Assy (Incls. 7-10)	38	185286	1	Bracket, Belt Guard w/ fasteners
8	185025	1	Bar, Angle w/ fasteners	39	185289	1	Blade Guard Assy (Incls. 39 - 42)
9	185026	2	Keeper, Latch w/ fasteners	40	185064	1	Knob, M8x20 w/ Locking Washer
10	185024	1	Plug, Drain	41	185030	1	"Y" Adapter w/ Tubes & screw
11	185276	1	Cutting Table Assy (Incls. 11-16)	42	185293	2	Tubing, 8x6x210mm
12	185277	2	Bracket, Cyl. Roller w/ fasteners	43	185091	1	Flap, Splash w/ fasteners
13	185278	2	Kit – Cyl. Roller w/ fasteners	44	050218	1	Water Pump Assy (Incls, 1/4" Hose Barb & Control Valve)
14	185279	1	Ruler, Cart (Left & Right)	45	185031	1	Adapter, "L" Fitting
15	185280	2	Bracket, U-Roller w/ fastener	46	185029	1	Tubing, 8x6x760mm
16	185281	2	Kit – U-Roller w/ fasteners				
17	185282	1	Extension, Table w/ fasteners	50	621652	1	Blade, 10" Continuous Rim
18	185042	1	Post, Rear Support w/ fasteners	51	185090	1	Wrench, Universal
19	185045	1	Knob, M10x18 w/ Locking Washer	52	169887	1	Rip Guide
20	185046	1	Shaft, Motor Mtg w/ fasteners	53	169870	1	Bullnose Miter Guide - 45°
21	185049	1	Motor Plate Assy (Incls. 21 – 28)	54	169871	1	Dual 45° Angle Guide
22	185051	1	Clip, Motor Adjustment w/ fasteners	55	169872	1	90° Adj. Protractor
23	185052	1	Bearing Housing Assy w/ Bearings & Blade Shaft	56	185305	1	Pivot Stud, Blade Guard
24	185058	1	Flange, Pulley/Inner	57	185306	1	Receptacle, Water Pump
25	185053	1	Cover, Bearing Housing	58	542190430	1	Cover, Switch Box
26	185069	1	Blade Shaft Lock Assy w/ fasteners	59	542190432	1	Cover, Capacitor - Small
27	185059	1	Flange, Outer Blade	(59)	185295	1	Capacitor-Run, 25Mfd/250V
28	185060	1	Nut, Blade Flange, M16	60	542190428	1	Cover, Capacitor - Large
29	185283	1	Motor Assy – 115V/60 (Incls 29 – 31)	(60)	185296	1	Capacitor-Start, 400Mfd/125V
30	542190431	1	Pulley, Motor w/ set screws	NOT SHOWN			
31	185284	1	Key, 5m x 36 (B5x36)		193014	1	Decal, FTS150 (Tray)
					193015	1	Decal, FTS150 (Bld Grd)
					046326	1	Decal, Elect. Warning (Motor)
					046327	1	Decal, Extension Cord (Motor)
					187043	1	Decal, Warning (Motor Plate)
					189247	1	Decal: Water Pump Outlet

WIRING DIAGRAM:



NOTES:

Felker's New Equipment Warranty

Except as noted below, Felker warrants that its new equipment will be free from manufacturing defects for a period of two (2) years from date of purchase by the original consumer purchaser.

The above warranty is subject to the following new equipment exceptions:

- The warranty time period for the following new equipment is limited as follows:
 TM-75™, FTS-150, FRS-30, FRS-38, FRS-51 --- One (1) year
 FTS-70™, Little Jack, Jack Junior and Slammer Jack tools --- Six (6) months
 FTS-50™ --- Ninety (90) days
- To the extent the following components are part of any the new equipment, Felker's warranty on the component parts is limited to the manufacturer's warranty period set out below:

Manufacturer.....Warranty Period	Manufacturer.....Warranty Period	Manufacturer.....Warranty Period
GAS and DIESEL ENGINES	ELECTRIC MOTORS	TRANSMISSIONS
Briggs & Stratton.....2 years	Baldor.....1 year	Eaton.....3 years*
Koler Gas.....2 years	Leeson.....1 year	Sunstrand.....3 yrs./1,000 hrs.*
Robin Gas..... 2 yrs./2,000 hrs.	Bosch.....6 months	(* from date of manufacture)
Honda Gas.....2 years	Milwaukee.....Lifetime	HYDRAULIC PUMPS
Wisconsin Gas.....1 year/2,000 hrs.	Black & Decker.....1 year	Fenner-Stone.....1 year
Hatz Diesel.....1 year	DM100.....6 months	John S. Barnes Co.....1 year
	AIR MOTORS and VAC. PUMPS	WATER PUMPS
	Gast.....1 year	Jasbsco.....1 year
		Beckett.....1 year

3. Felker's obligation under this warranty is expressly limited to the replacement or repair at Felker, Olathe, KS 66061, or at a service facility designated by Felker, of such parts as inspection shall disclose to have been defective. This warranty does not cover labor, except for gas powered Quickie Super saws and does not cover maintenance items such as belts, air filters, bearings and wheels. Purchaser will be responsible for paying for shipping costs to and from the location where the equipment is to be repaired or replaced. Motors and engines are to be serviced by the nearest factory authorized service center. These service centers are designated by the manufacturer of the engine/motor. **Under no circumstances will Felker be responsible for incidental or consequential damages.**

4. Felker's warranty does not apply to defects caused by damage, abuse, modifications, low voltage, acts of God, unreasonable use, faulty repairs made by others or defects caused by failure to provide reasonable maintenance. All warranties are void if the equipment or any of its components are altered or modified by the purchaser, or of the product is used in a manner or with a blade not recommended by the manufacturer.

5. The forgoing express warranties are in lieu of all other warranties. **FELKER EXPRESSLY DISCLAIMS ALL OTHER WARRANTIES, INCLUDING, WITHOUT LIMITATION, THE IMPLIED WARRANTIES OF MERCHANTABILITY AND FITNESS FOR A PARTICULAR PURPOSE.**

Please record the Date of Purchase and the Serial Number of your saw in the space below. (The serial number is located on the side of the motor.) When ordering service items, please have this information available.

Serial Number:		Date of Purchase:	
Model Number:		Where Purchased:	

For any missing, damaged or service items needed, DO NOT return to original store of purchase, instead contact:

FELKER CUSTOMER SERVICE
 Cust. Service Phone.....1-800-365-4003
 Cust. Service FAX.....1-800-825-0028

Felker Corporate Office

17400 West 119th Street
Olathe, Kansas 66061
Phone: 913-928-1000

Customer Service Tel: 800-365-4003
Customer Service Fax: 800-825-0028
Corporate Office Fax: 913-438-7951
Customer Service Int'l: 913-928-1258

Western Division Center

2012 Abalone Avenue
Torrance, CA 90501
310-381-3100

**Felker Latin America, Mexico, Caribbean,
Central and South America**

17400 West 119th Street
Olathe, Kansas 66061
Phone: 913-928-1255
Fax: 913-438-7938

Felker Canada

Phone: 800-365-4003
Fax: 800-825-0028

Warning!



Some dust created by power sanding, sawing, grinding, drilling and other construction activities contains chemicals known (to the State of California) to cause cancer, birth defects or other reproductive harm.

- Lead from lead based paints.
- Crystalline silica from bricks and cement and other masonry products.
- Arsenic and chromium from chemically-treated lumber.

Your risk from these exposures varies, depending on how often you do the type of work. To reduce your exposure to these chemicals, work in a well-ventilated area, and work with approved safety equipment such as those dust masks that are specifically designed to filter out microscopic particles.



www.felkersaws.com

Free Manuals Download Website

<http://myh66.com>

<http://usermanuals.us>

<http://www.somanuals.com>

<http://www.4manuals.cc>

<http://www.manual-lib.com>

<http://www.404manual.com>

<http://www.luxmanual.com>

<http://aubethermostatmanual.com>

Golf course search by state

<http://golfingnear.com>

Email search by domain

<http://emailbydomain.com>

Auto manuals search

<http://auto.somanuals.com>

TV manuals search

<http://tv.somanuals.com>