

# Cool Drive U350H BB65 Series

## Table of Contents

|  |          |
|--|----------|
| <b>1. Introduction to U350H .....</b>            | <b>1</b> |
| <b>2. Main Features .....</b>                    | <b>1</b> |
| <b>3. Hardware Specification .....</b>           | <b>1</b> |
| 3.1 USB Interface .....                          | 1        |
| 3.2 NAND Flash Interface .....                   | 1        |
| 3.3 OS Support .....                             | 1        |
| 3.4 Product Capacity .....                       | 1        |
| <b>4. Block Diagram .....</b>                    | <b>2</b> |
| <b>5. Absolute Maximum Ratings .....</b>         | <b>2</b> |
| <b>6. DC Characteristics .....</b>               | <b>3</b> |
| <b>7. Recommended Operating Conditions .....</b> | <b>3</b> |
| <b>8. Pin Assignments .....</b>                  | <b>3</b> |
| <b>9. Physical Specifications .....</b>          | <b>4</b> |

## Revision History

| Revision | Date      | History      | Remark |
|----------|-----------|--------------|--------|
| A.0      | 09/14 '06 | New Creation |        |

Important!! Please make sure the driver matches the part number on your pen drive before you download.

Software AP System Requirements. One of following operation systems: Windows 98/98SE/Windows ME/Windows 2000/Windows XP

The advertised memory capacity of this device represents unformatted capacity. Please note that once formatted and due to variations in flash module block limitations, the functional storage space will be lower than the advertised capacity.

"PQI reserves the right to make changes without notification when fit, form, function, quality and reliability are not affected. The data sheets do not constitute contract documents and should not be considered part of the specification for purposes of any warranty."

## 1. Introduction to U350H

Enclosed in a compact futuristic metallic casing and employing a pen-like push and pop mechanism, PQI's Cool Drive **U350H** offers portability and security to give users a peace of mind with your personal portable data storage. Pre-installed with Webaroo, Webaroo as hundreds of web packs in various categories like News, Sports, Entertainment etc..

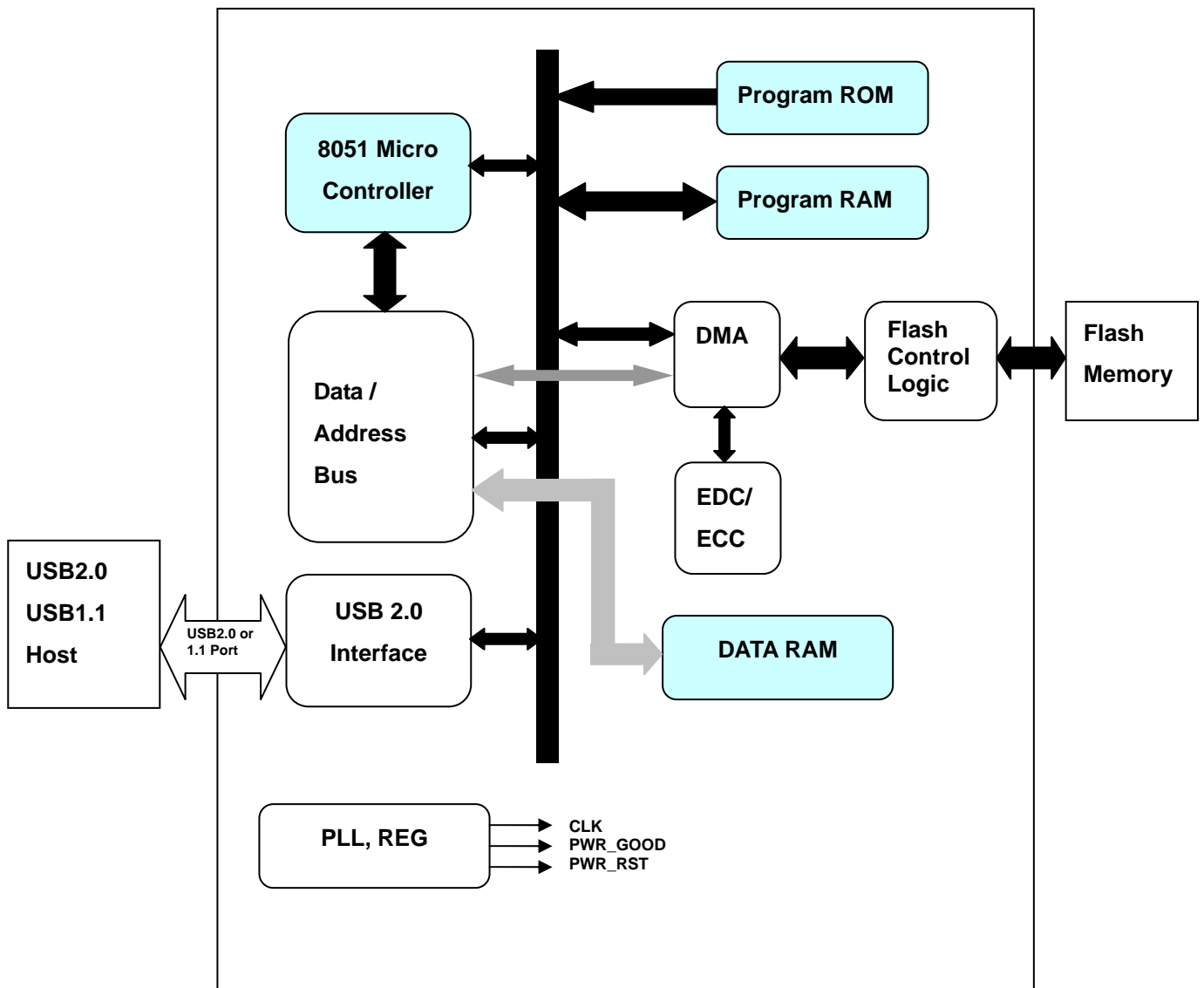
## 2. Main Features

- ◆ High Speed product
- ◆ Support Windows Vista ReadyBoost
- ◆ Compact metallic casing with futuristic design
- ◆ Push and pop design
- ◆ Trendy colors with metallic casing
- ◆ Mobile USB flash drive, USB 2.0 compatible
- ◆ Hot swappable, USB Plug & Play compatible
- ◆ LED indicator with three modes: Busy, waiting, and off
- ◆ Multimedia and data storage
- ◆ Built-in personal customizable software (Webaroo)

## 3. Product Specification

|                             |  |               |
|-----------------------------|--|---------------|
| <b>USB Interface</b>        | High-speed USB 2.0 interface; backward compatible with USB 1.1 |               |
| <b>NAND Flash Interface</b> | Integrated ECC circuits for 4-bit error correction             |               |
| <b>OS Support</b>           | No drive is required for Windows ME, 2000,XP or Mac OS 9.x     |               |
| <b>Environment</b>          |  |               |
| Temperature                 | Operating  | 0°C to 65°C   |
|                             | Non-Operating  | -20°C to 75°C |
| Vibration                   | Operating  | 0.2G          |
|                             | Non-Operating  | 15G           |
| Shock resistant             | Operating  | 150G          |
|                             | Non-Operating  | 1000G         |
| <b>Configuration</b>        |  |               |
| Capacity                    | 256MBytes ~ 4GBytes  |               |
| <b>Reliability</b>          |  |               |
| MTBF(@25°C)                 | 1,000,000 hours  |               |
| <b>Power Requirement</b>    |  |               |
| Voltage                     | DC 3.3/5V ± 10%  |               |
| <b>Power Consumption</b>    |  |               |
| Read                        | <100mA   |               |
| Write                       | <120mA   |               |
| Standby                     | <100mA   |               |
| Un-configuration            | <100mA   |               |
| Suspend                     | <1.5mA   |               |

4. Block Diagram



5. Absolute Maximum Ratings

| Symbol   | Parameter                     | Min  | Max | Unit |
|----------|-------------------------------|------|-----|------|
| Tstorage | Storage Temperature           | -20  | 75  | °C   |
| Ta       | Ambient Operating Temperature | 0    | 65  | °C   |
| Vcc3     | 3.3V Supply Voltage           | -0.3 | 3.6 | V    |
| Vcc18    | 1.8V Supply Voltage           | -0.3 | 2   | V    |
| Vin3.3   | 3.3V Buffer Input Voltage     | -0.3 | 3.6 | V    |
| Vin3/5   | 3.3V/5V Buffer Input Voltage  | -0.3 | 5   | V    |
| Vin1.8   | 1.8V Buffer Input Voltage     | -0.3 | 2   | V    |

**6. DC Characteristics**

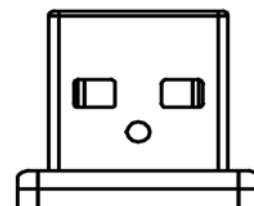
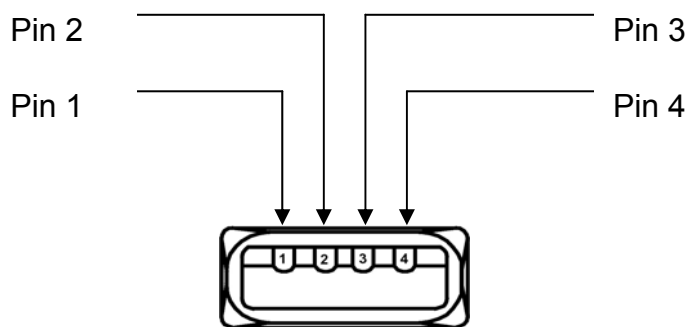
| Symbol            | Parameter                                | Min. | Typical | Max. | Units |
|-------------------|--|------|---------|------|-------|
| V <sub>DD</sub>   | Supply voltage for VCC3 or VCC3A         | 3.0  | 3.3     | 3.6  | V     |
| V <sub>DD18</sub> | Regulator output voltage for VCC or VCCA | 1.62 | 1.8     | 1.98 | V     |
| V <sub>IL</sub>   | Input Low Voltage                        | -0.5 |         | 0.8  | V     |
| V <sub>IH</sub>   | Input High Voltage                       | 2.0  |         |      | V     |
| V <sub>OL</sub>   | Output Low Voltage (IOL=4mA)             |      |         | 0.4  | V     |
| V <sub>OH</sub>   | Output High Voltage (IOH=4mA)            | 2.4  |         |      | V     |
| C <sub>IN</sub>   | Input pin capacitance                    |      |         | 10   | pF    |
| I <sub>DD</sub>   | Supply current                           |      | 50      |      | mA    |
| I <sub>SUS</sub>  | Suspend current (D+1.5KΩ)                |      |         | 300  | uA    |

**7. Recommended Operating Conditions**

| Symbol            | Parameter              | Min. | Typical         | Max.                  | Units |
|-------------------|------------------------|------|-----------------|-----------------------|-------|
| V <sub>CC33</sub> | Power Supply Voltage   | 3.0  | 3.3             | 3.3                   | V     |
| V <sub>IN</sub>   | Input Voltage          | 0    | V <sub>CC</sub> | V <sub>CC</sub> + 0.3 | V     |
| V <sub>CC25</sub> | Internal Power Support | 2.25 | 2.50            | 2.75                  | V     |

**8. Pin Assignments**

| Pin No. | Pin Name | Function  |
|---------|----------|---|
| 1       | VCC      | USB power input                                     |
| 2       | USB D-   | USB differential signal                             |
| 3       | USB D+   | The pairs are used to transmit Data/Address/Command |
| 4       | VSS      | Ground  |



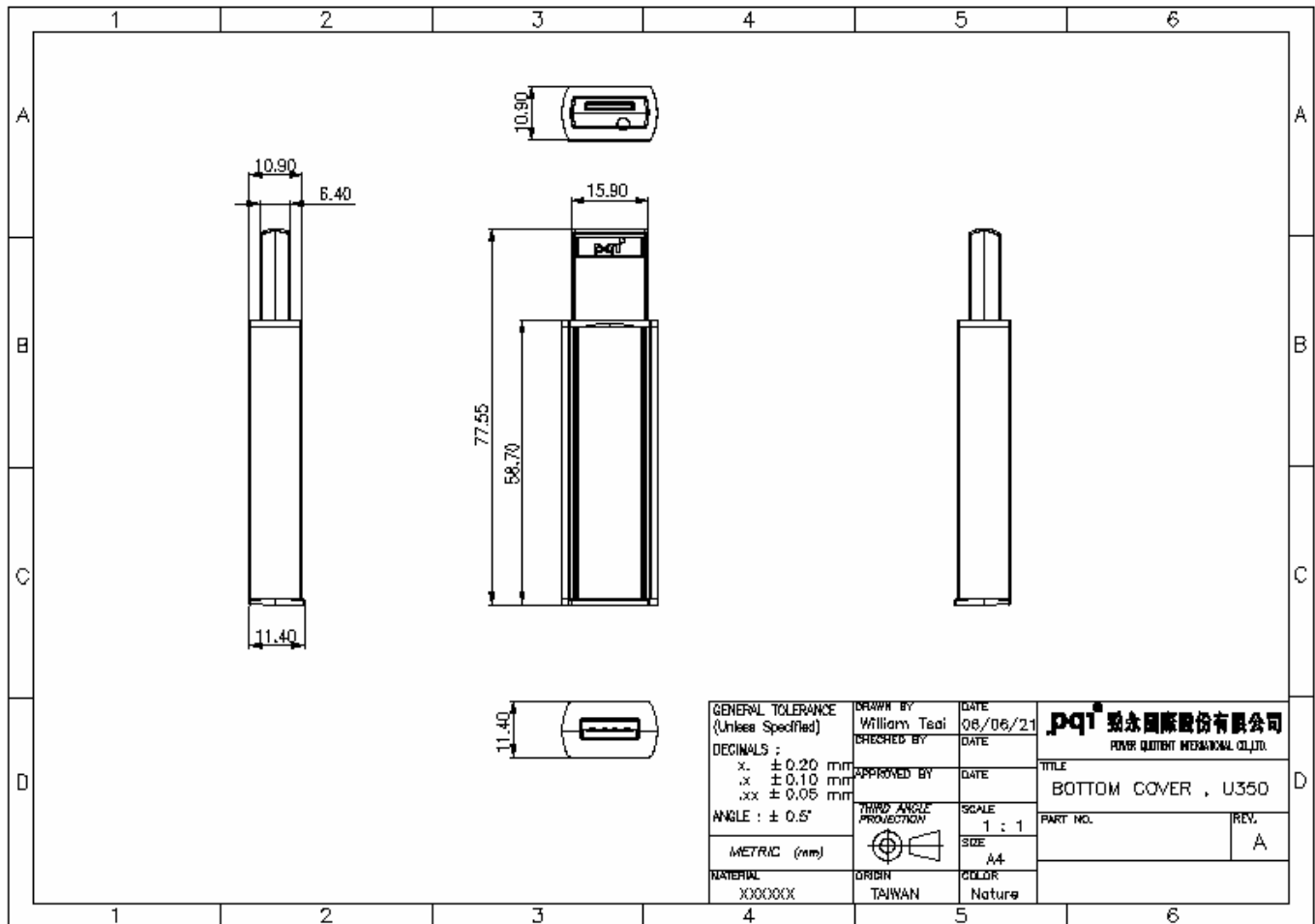
# USB Flash Drive

## 9. Physical Specifications

### 9.1 Dimensions:

- 9.1.1 Height: 77.55mm
- 9.1.2 Width: 15.90mm
- 9.1.3 Depth: 11.40mm
- 9.1.4 Weight: 15.53g ± 1g

### 9.2 Outline of top view



## Free Manuals Download Website

<http://myh66.com>

<http://usermanuals.us>

<http://www.somanuals.com>

<http://www.4manuals.cc>

<http://www.manual-lib.com>

<http://www.404manual.com>

<http://www.luxmanual.com>

<http://aubethermostatmanual.com>

Golf course search by state

<http://golfingnear.com>

Email search by domain

<http://emailbydomain.com>

Auto manuals search

<http://auto.somanuals.com>

TV manuals search

<http://tv.somanuals.com>