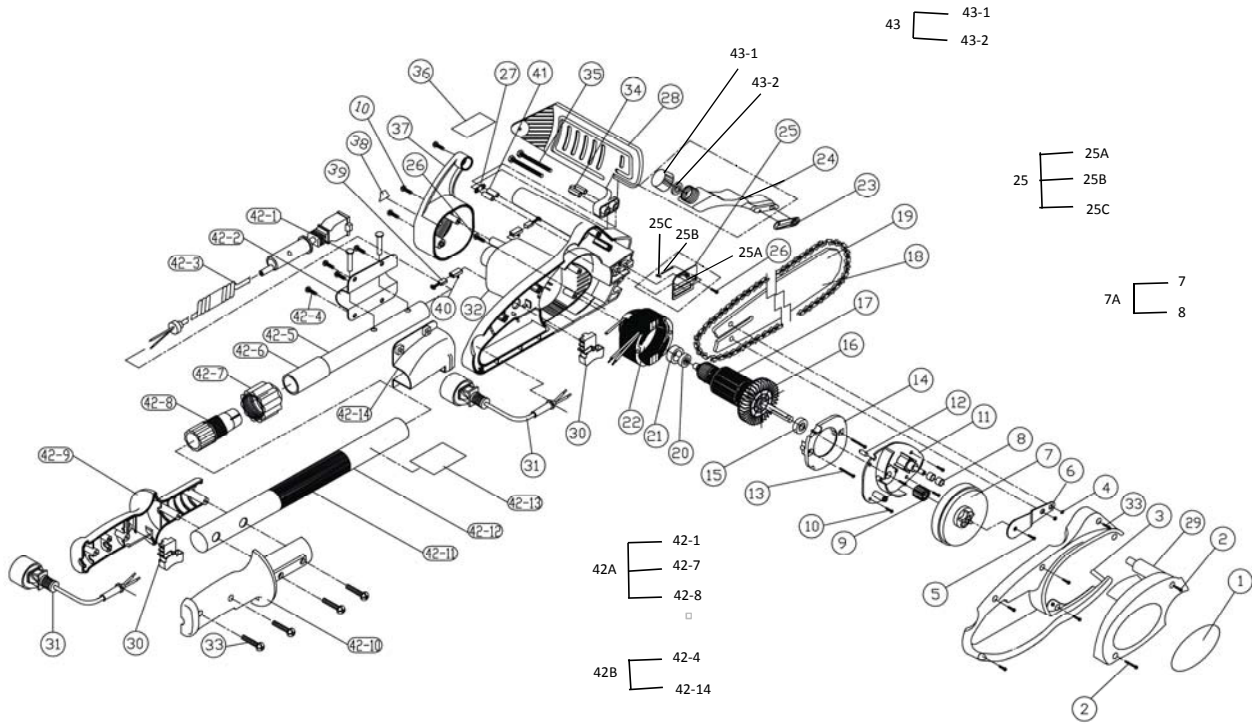


SERVICE SPARE PARTS LIST

SPECIFY MODEL NO. WHEN ORDERING PARTS		DATE	
10" POLE SAW		2/15/2007	REVISED DATE
MODEL NO.	MCP1510		8/13/2009



10" POLE SAW

MCP1510

PARTS LIST

Date:8/4/2009

No.	Parts No.	Description	Q	P CODE
1	6097-210813	LABEL	1	100
2	6SDABB04-40	SCREW	2	100
3	6038-210801	HOUSING (R)	1	100
4	6NHZ-1/4	NUTS	2	100
5	6214-210802	FIXED SCREW	1	100
6	6043-210801	SPROCKET SUPPORT	1	100
7A	AO6073-210802-US888	SPROCKET BEARING ASS'Y INCL 7, 8	1	100
7	6073-210802	SPROCKET	1	100
8	6131-210801	BEARING	2	100
9	6073-210801	MOTOR GEAR	1	100
10	6SDABB04-14	SCREW	7	100
11	6086-210801	MOTOR COYER ASSEMBLY	1	100
12	6272-830301	RUNNER STICK	2	100
13	6SQABB05-55	SCREW	2	100
14	6263-210801	WIND GUIDE	1	100
15	6MB-608-06	BEARING	1	100
16	6169-210801	FAN	1	100
17	6260-210802	ARMATURE ASS'Y	1	100
18	6220-210803	10" CHAIN 39 DRIVE LINK	1	100
19	6040-210009B	10" BAR	1	100
20	6MB-607-07	BEARING	1	100
21	6156-830401	ANTI-VIBRATION PAD	1	100
22	6261-210802	STATOR ASS'Y	1	100
23	6014-210801	ANTI-SPILLAGE PAD	1	100
24	6066-210801	OIL TANK	1	100
25	A06228-210807-US888	ADJUSTING KIT INCL 25A, 25B, 25C	1	100
25A	6102-210801	MOUNTING PLATE	1	100
25B	6214-210801	ADJUSTING SCREW	1	100
25B	6056-210802	ADJUSTING NUT	1	100
26	6214-210801	REGULATION SCREW	1	100
27	6043-210801	MOUNTING PLATE	1	100
28	6017-210801	FRONT-HAND GUARD	1	100
29	6086-210803	RIGHT CASE COVER	1	100

10" POLE SAW

MCP1510

PARTS LIST

Date:8/4/2009

No.	Parts No.	Description	Q	P CODE
30	6022-210804	LOCKOUT SWITCH	2	100
31	6011-210802	POWER CORD	1	100
32	6038-210802	LEFT-CASE	2	100
33	6SDABB04-18	SCREW	4	100
34	6072-210801	FIXTURE	1	100
35	6XDZ-1/4-60	BOLT	2	100
36	6097-210907	WARNING TAG	1	100
37	6086-210802	REAR COVER	2	100
38	6052-210848	LABEL	1	100
39	6216-830601	BRUSH	2	100
40	6159-830601	BRUSH SET	2	100
41	6087-210801	BUSHING	2	100
42	6228-210815	POLE ASSEMBLY	1	100
42A	AO6189-2108014-US888	KIT POLE NUT INCL 42-1, 42-7, 42-8	1	100
42B	AO60102-210802-US888	KIT SUPPORT PLATE INCL 42-4, 42-14	1	100
42-1	6RCZ10.5-32	SOCKET	2	100
42-2	6102-210803	FIXTURE	1	100
42-3	6154-210801	SOCKET	1	100
42-4	6SQAB-05-12	SCREW	4	100
42-5	6129-210802	INNER PIPE	1	100
42-6	6043-210802	LIMITED PIPE	1	100
42-7	6134-210801	POLE NUT	1	100
42-8	6189-210801	POLE BOLT	1	100
42-9	6068-210802	LEFT-HANDLE	1	100
42-10	6068-210801	RIGHT HANDLE	1	100
42-11	6059-210801	PVC PIPE	1	100
42-12	6129-210801	PIPE	1	100
42-13	6052-210802	WARNING TAG	1	100
42-14	6102-210802	SUPPORT PLATE	1	100
43	AO6067-210801-US888	OIL CAP ASSY INCL 43-1, 43-2	1	100
43-1	6067-210801	OIL CAP	1	100
43-2	6014-210802	OIL CAP GASKET	1	100

Free Manuals Download Website

<http://myh66.com>

<http://usermanuals.us>

<http://www.somanuals.com>

<http://www.4manuals.cc>

<http://www.manual-lib.com>

<http://www.404manual.com>

<http://www.luxmanual.com>

<http://aubethermostatmanual.com>

Golf course search by state

<http://golfingnear.com>

Email search by domain

<http://emailbydomain.com>

Auto manuals search

<http://auto.somanuals.com>

TV manuals search

<http://tv.somanuals.com>