



OPERATOR'S MANUAL
MANUEL de L'UTILISATEUR
MANUAL del OPERADOR

Cat. No.
No de cat.
0730-20



V28™ CIRCULAR SAW
SCIE CIRCULAIRE **V28™**
V28™ SIERRA CIRCULAR

*TO REDUCE THE RISK OF INJURY, USER MUST READ OPERATOR'S MANUAL.
AFIN DE RÉDUIRE LE RISQUE DE BLESSURES, L'UTILISATEUR DOIT LIRE LE
MANUEL DE L'UTILISATEUR.
PARA REDUCIR EL RIESGO DE LESIONES, EL USUARIO DEBE LEER EL MANUAL
DEL OPERADOR.*

GENERAL SAFETY RULES-FOR ALL BATTERY OPERATED TOOLS



WARNING

READ ALL INSTRUCTIONS

Failure to follow all instructions listed below may result in electric shock, fire and/or serious injury. The term "power tool" in all of the warnings listed below refers to your mains-operated (corded) power tool or battery-operated (cordless) power tool.

SAVE THESE INSTRUCTIONS

WORK AREA SAFETY

1. **Keep work area clean and well lit.** Cluttered or dark areas invite accidents.
2. **Do not operate power tools in explosive atmospheres, such as in the presence of flammable liquids, gases, or dust.** Power tools create sparks which may ignite the dust or fumes.
3. **Keep children and bystanders away while operating a power tool.** Distractions can cause you to lose control.

ELECTRICAL SAFETY

4. **Power tool plugs must match the outlet. Never modify the plug in any way. Do not use any adapter plugs with earthed (grounded) power tools.** Unmodified plugs and matching outlets will reduce risk of electric shock.
5. **Avoid body contact with earthed or grounded surfaces such as pipes, radiators, ranges and refrigerators.** There is an increased risk of electric shock if your body is earthed or grounded.
6. **Do not expose power tools to rain or wet conditions.** Water entering a power tool will increase the risk of electric shock.
7. **Do not abuse the cord. Never use the cord for carrying, pulling, or unplugging the power tool. Keep cord away from heat, oil, sharp edges, or moving parts.** Damaged or entangled cords increase the risk of electric shock.
8. **When operating a power tool outdoors, use an extension cord suitable for outdoor use.** Use of a cord suitable for outdoor use reduces the risk of electric shock.

PERSONAL SAFETY

9. **Stay alert, watch what you are doing and use common sense when operating a power tool. Do not use a power tool while you are tired or under the influence of drugs, alcohol or medication.** A moment of inattention while operating power tools may result in serious personal injury.
10. **Use safety equipment. Always wear eye protection.** Safety equipment such as dust mask, non-skid safety shoes, hard hat, or hearing protection used for appropriate conditions will reduce personal injuries.
11. **Avoid accidental starting. Ensure the switch is in the off-position before plugging in.** Carrying tools with your finger on the switch or plugging in power tools that have the switch on invites accidents.
12. **Remove any adjusting key or wrench before turning the power tool on.** A wrench or a key left attached to a rotating part of the power tool may result in personal injury.
13. **Do not overreach. Keep proper footing and balance at all times.** This enables better control of the power tool in unexpected situations.
14. **Dress properly. Do not wear loose clothing or jewellery. Keep your hair, clothing and gloves away from moving parts.** Loose clothes, jewellery, or long hair can be caught in moving parts.
15. **If devices are provided for the connection of dust extraction and collection facilities, ensure these are connected and properly used.** Use of these devices can reduce dust-related hazards.

POWER TOOL USE AND CARE

16. **Do not force the power tool. Use the correct power tool for your application.** The correct power tool will do the job better and safer at the rate for which it was designed.
17. **Do not use the power tool if the switch does not turn it on and off.** Any power tool that cannot be controlled with the switch is dangerous and must be repaired.
18. **Disconnect the plug from the power source and/or the battery pack from the power tool before making any adjustments, changing accessories, or storing power tools.** Such preventive safety measures reduce the risk of starting the tool accidentally.
19. **Store idle power tools out of the reach of children and do not allow persons unfamiliar with the power tools or these instructions to operate power tools.** Power tools are dangerous in the hands of untrained users.
20. **Maintain power tools. Check for misalignment or binding of moving parts, breakage of parts and any other condition that may affect the power tool's operation. If damaged, have the power tool repaired before use.** Many accidents are caused by poorly maintained power tools.
21. **Keep cutting tools sharp and clean.** Properly maintained cutting tools with sharp cutting edges are less likely to bind and are easier to control.
22. **Use the power tool, accessories and tool bits etc., in accordance with these instructions and in the manner intended for the particular type of power tool, taking into account the working conditions and the work to be performed.** Use of the power tool for operations different from those intended could result in a hazardous situation.

BATTERY TOOL USE AND CARE

23. **Ensure the switch is in the off position before inserting battery pack.** Inserting the battery pack into power tools that have the switch on invites accidents.
24. **Recharge only with the charger specified by the manufacturer.** A charger that is suitable for one type of battery pack may create a risk of fire when used with another battery pack.
25. **Use power tools only with specifically designated battery packs.** Use of any other battery packs may create a risk of injury and fire.
26. **When battery pack is not in use, keep it away from other metal objects like paper clips, coins, keys, nails, screws, or other small metal objects that can make a connection from one terminal to another.** Shorting the battery terminals together may cause burns or a fire.
27. **Under abusive conditions, liquid may be ejected from the battery, avoid contact. If contact accidentally occurs, flush with water. If liquid contacts eyes, additionally seek medical help.** Liquid ejected from the battery may cause irritation or burns.

SERVICE

28. **Have your power tool serviced by a qualified repair person using only identical replacement parts.** This will ensure that the safety of the power tool is maintained.

SPECIFIC SAFETY RULES — CIRCULAR SAWS

1. DANGER!:

Keep hands away from cutting area and blade. Keep your second hand on auxiliary handle or motor housing. If both hands are holding the saw, they cannot be cut by the blade.

Do not reach underneath the workpiece. The guard cannot protect you from the blade below the workpiece.

Adjust the cutting depth to the thickness of the workpiece. Less than a full tooth of the blade teeth should be visible below the workpiece.

NEVER hold piece being cut in your hands or across your leg. Secure the workpiece to a stable platform. It is important to support the work properly to minimize body exposure, blade binding, or loss of control.

Hold power tool by insulated gripping surfaces when performing an operation where the cutting tool may contact hidden wiring or its own cord. Contact with a "live" wire will also make exposed metal parts of the tool "live" and shock the operator.

When ripping always use a rip fence or straight edge guide. This improves the accuracy of cut and reduces the chance of blade binding.

Always use blades with correct size and shape (diamond versus round) of arbor holes. Blades that do not match the mounting hardware of the saw will run eccentrically, causing loss of control.

Never use damaged or incorrect blade washers or bolts. The blade washers and bolts were specially designed for your saw, for optimum performance and safety of operation.

2. Causes and Operator Prevention of KICKBACK:

KICKBACK is a sudden reaction to a pinched, bound or misaligned saw blade, causing an uncontrolled saw to lift up and out of the workpiece toward the operator.

When the blade is pinched or bound tightly by the kerf closing down, the blade stalls and the motor reaction drives the unit rapidly back toward the operator.

If the blade becomes twisted or misaligned in the cut, the teeth at the back edge of the blade can dig into the top surface of the wood causing the blade to climb out of the kerf and jump back toward operator.

KICKBACK is the result of saw misuse and/or incorrect operating procedures or conditions and can be avoided by taking proper precautions as given below:

Maintain a firm grip with both hands on the saw and position your arms to resist kickback forces. Position your body to either side of the blade, but not in line with the blade. Kickback could cause the saw to jumb backwards, but kickback forces can be controlled by the operator, if proper precautions are taken.

When blade is binding, or when interrupting a cut for any reason, release the trigger and hold the saw motionless in the material until the blade comes to a complete stop. Never attempt to remove the saw from the work or pull the saw backward while the blade is in motion or kickback may occur. Investigate and take corrective actions to eliminate the cause of blade binding.

When restarting a saw in the workpiece, center the saw blade in the kerf and check that saw teeth are not engaged into the material. If saw blade is binding, it may walk up or kickback from the workpiece as the saw is restarted.

Support large panels to minimize the risk of blade pinching and kickback. Large panels tend to sag under their own weight. Supports must be placed under the panel on both sides, near the line of cut and near the edge of the panel.

Do not use dull or damaged blade. Unsharpened or improperly set blades produce narrow kerf causing excessive friction, blade binding and kickback.

Blade depth and bevel adjusting locking levers must be tight and secure before making cut. If blade adjustment shifts while cutting, it may cause binding and kickback.

Use extra caution when making a "plunge cut" (or pocket cut) into existing walls or other blind areas. The protruding blade may cut objects that can cause kickback.

3. **Check lower guard for proper closing before each use. Do not operate saw if lower guard does not move freely and close instantly. Never clamp or tie the lower guard into the open position.** If saw is accidentally dropped, lower guard may be bent. Raise the lower guard with the lower guard lever and make sure it moves freely and does not touch the blade or any other part, in all angles and depths of cut.

Check the operation of the lower guard spring. If the guard and the spring are not operating properly, they must be serviced before use. Lower guard may operate sluggishly due to damaged parts, gummy deposits, or a buildup of debris.



Lower guard should be retracted manually only for special cuts such as "plunge cuts" ("pocket cuts") and "compound cuts". Raise lower guard by lower guard lever and as soon as blade enters the material, the lower guard must be released. For all other sawing, the lower guard should operate automatically.

Always observe that the lower guard is covering the blade before placing saw down on bench or floor. An unprotected, coasting blade will cause the saw to walk backwards, cutting whatever is in its path. Be aware of the time it takes for the blade to stop after switch is released.

4. **Maintain labels and nameplates.** These carry important information. If unreadable or missing, contact a MILWAUKEE service facility for a free replacement.
5. **WARNING!** Some dust created by power sanding, sawing, grinding, drilling, and other construction activities contains chemicals known to cause cancer, birth defects or other reproductive harm. Some examples of these chemicals are:
 - lead from lead-based paint
 - crystalline silica from bricks and cement and other masonry products, and
 - arsenic and chromium from chemically-treated lumber.

Your risk from these exposures varies, depending on how often you do this type of work. To reduce your exposure to these chemicals: work in a well ventilated area, and work with approved safety equipment, such as those dust masks that are specially designed to filter out microscopic particles.

Symbology

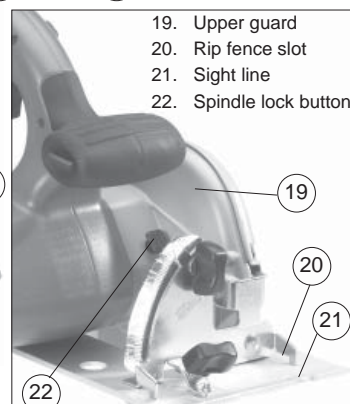
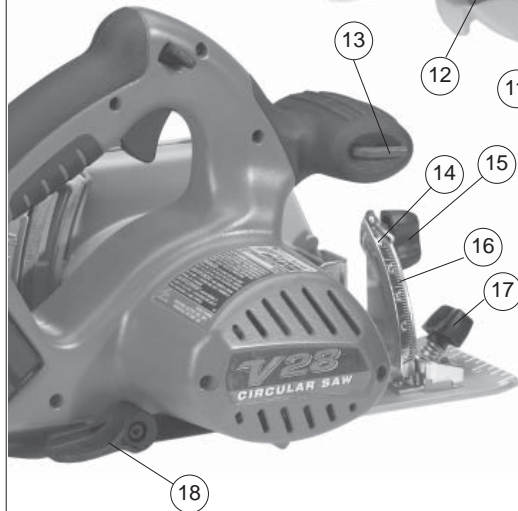
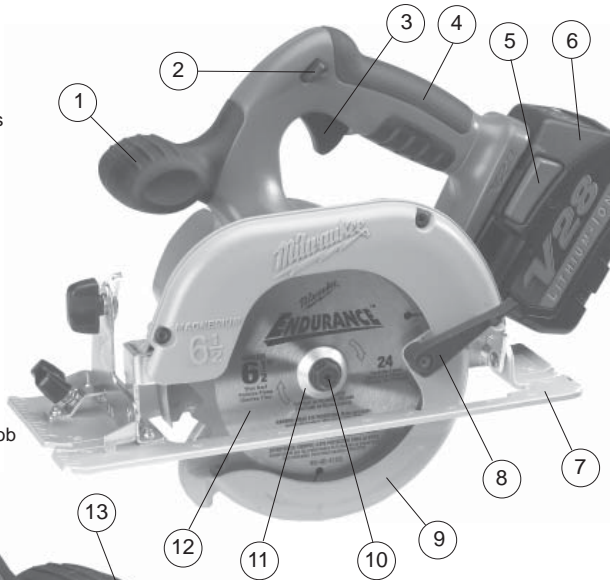
	Volts Direct Current
$n_0 \text{ XXXXmin.}^{-1}$	No Load Revolutions per Minute (RPM)
	Underwriters Laboratories, Inc., United States and Canada

Specifications

Cat. No.	Volts DC	No Load RPM	Blade Size	Arbor	Depth of Cut At 90°	Depth of Cut at 45°
0730-20	28	4200	6-1/2"	5/8"	0 to 2-1/8"	0 to 1-9/16"

FUNCTIONAL DESCRIPTION

1. Front handle
2. Lock-off button
3. Trigger
4. Handle
5. Battery release buttons
6. Battery pack
7. Shoe
8. Lower guard lever
9. Lower guard
10. Blade bolt
11. Blade flange
12. Blade
13. Wrench
14. Bevel pointer
15. Bevel adjusting knob
16. Bevel scale
17. Rip fence adjusting knob
18. Depth adjusting lever



19. Upper guard
20. Rip fence slot
21. Sight line
22. Spindle lock button

TOOL ASSEMBLY



WARNING

Recharge only with the charger specified for the battery pack. For specific charging instructions, read the operator's manual supplied with your charger and battery pack.



WARNING

To reduce the risk of injury, always remove battery pack before changing or removing accessories. Only use accessories specifically recommended for this tool. Others may be hazardous.

Removing Battery Pack from Tool

Push in the release buttons and pull the battery pack away from the tool.

Inserting Battery Pack into Tool

To insert the battery pack onto the tool, slide the pack onto the body of the tool. Make sure it latches securely into place.



Inserting a battery pack

Removing a battery pack

Selecting Blade

Always use sharp blades. Dull blades tend to overload the tool and increase the chance of KICKBACK (see "Causes and Operator Prevention of KICKBACK"). Only use thin kerf blades with a maximum safe operating speed greater than the no load RPM marked on the tool's nameplate. Read the blade manufacturer's instructions before use. Do not use any type of abrasive cut-off wheel or dry diamond cutting blades.

Installing and Removing Blades

1. REMOVE BATTERY PACK BEFORE INSTALLING OR REMOVING BLADES.
2. Place the saw on a flat surface with the blade facing upwards. To remove the bolt from the spindle, push in the spindle lock button. While holding in the spindle lock button, use the wrench provided with the tool to turn the bolt clockwise (Fig. 2). Remove the bolt and blade flange.

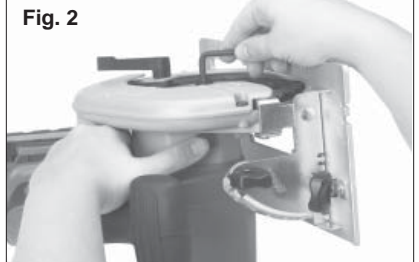


Fig. 2

3. Slide the lower guard lever up to raise the lower guard. Remove the blade from the spindle. Always clean the spindle, upper guard and lower guard to remove any dirt and sawdust.

NOTE: Do not remove inner blade flange. Larger diameter of inner flange (Fig. 3) should face the blade.

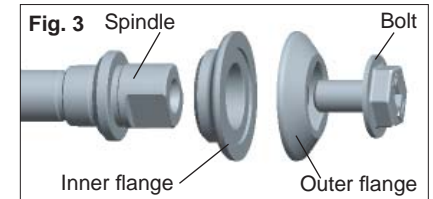


Fig. 3

4. To install a blade, place the blade on the spindle with the teeth pointing in the same direction as the arrow on the lower guard (Fig. 4). Release the lower guard lever.

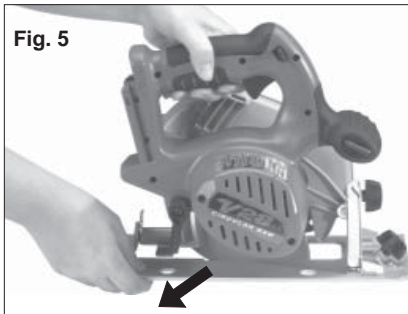


Fig. 4

5. Place the blade flange on the spindle and hand tighten the bolt.
6. While holding in the spindle lock button, use the wrench to turn the bolt counter-clockwise and tighten.

Adjusting Depth

1. Remove battery pack.
2. To adjust the depth of the cut, hold the saw by the handle and loosen the depth adjusting lever by pushing it down toward the shoe (Fig. 5).



3. Raise or lower the shoe to the desired position. Markings in 1/4" increments are located on the inner side of the upper guard for depth setting. For the proper depth setting, the blade should extend no more than 1/8" to 1/4" below the material being cut (Fig. 6).



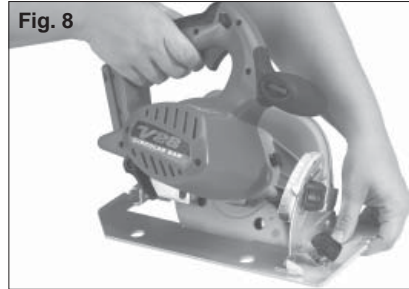
4. Lift the depth adjusting lever up towards the motor housing to secure the shoe position.

Adjusting Bevel Angle

1. Remove battery pack.
2. To adjust the angle of the cut, hold the saw by the handle and loosen the bevel adjusting knob (Fig. 7).



3. Hold the front of the shoe and rotate the saw by the handle to the desired angle as indicated by the markings on the bevel scale (Fig. 8).

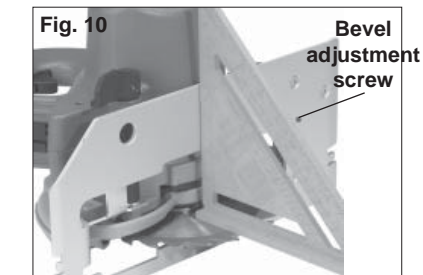


4. Tighten the bevel adjusting knob securely.

Adjusting the Blade to Shoe

The shoe has been adjusted at the factory to a 90 degree setting. Inspect the saw regularly to make sure the blade is 90 degrees to the shoe.

1. Remove battery pack.
2. Set the bevel pointer to zero (Fig. 9).



3. To make sure the blade is 90 degrees to the shoe, place saw on the blade side and retract lower guard. Place a square against the blade and shoe to inspect the degree setting (Fig. 10).

4. To adjust the degree setting, loosen the bevel adjusting knob. Turn the bevel adjustment screw in or out until the blade is at a 90 degree angle with the shoe.
5. Tighten the bevel adjusting knob securely.

OPERATION



WARNING

To reduce the risk of injury, keep hands away from the blade and other moving parts. Always wear safety goggles or glasses with side shields. Use only specifically recommended accessories. Others may be hazardous.

Causes and Operator Prevention of KICKBACK:

KICKBACK is a sudden reaction to a pinched, bound or misaligned saw blade, causing an uncontrolled saw to lift up and out of the workpiece toward the operator.

When the blade is pinched or bound tightly by the kerf, or cutting slot, closing down, the blade stalls and the motor reaction drives the unit rapidly back toward the operator.

If the blade becomes twisted or misaligned in the cut, the teeth at the back edge of the blade can dig into the top surface of the wood causing the blade to climb out of the kerf and jump back toward operator.

KICKBACK is the result of tool misuse and/or incorrect operating procedures or conditions and can be avoided by taking proper precautions as given below:

1. **Maintain a firm grip with both hands on the saw and position your body and arm to allow you to resist KICKBACK forces.** KICKBACK forces can be controlled by the operator, if proper precautions are taken.
2. **When blade is binding, or when interrupting a cut for any reason, release the trigger and hold the saw motionless in the material until the blade comes to a complete stop. Never attempt to remove the saw from the work or pull the saw backward while the blade is in motion or KICKBACK may occur.** Investigate and take corrective actions to eliminate the cause of blade binding.
3. **When restarting a saw in the workpiece, center the saw blade in the kerf, or cut, and check that saw teeth are not engaged into the material.** If saw blade is binding, it may walk up or KICKBACK from the workpiece as the saw is restarted.
4. **Support large panels to minimize the risk of blade pinching and KICKBACK.** Large panels tend to sag under their own weight. Supports must be placed under the panel on both sides, near the line of cut and near the edge of the panel.
5. **Do not use dull or damaged blades.** Unsharpened or improperly set blades produce narrow kerf causing excessive friction, blade binding and KICKBACK.
6. **Blade depth and bevel adjusting locking levers must be tight and secure before making cut.** If blade adjustment shifts while cutting, it may cause binding and KICKBACK.
7. **Use extra caution when making a "Pocket Cut" into existing walls or other blind areas.** The protruding blade may cut objects that can cause KICKBACK.
8. **Set the depth of cut for no more than 1/8" to 1/4" greater than the thickness of the stock.** The less blade exposed, the less chance of binding and KICKBACK. Before cutting, be sure depth and bevel adjustments are tight.
9. **Be cautious of pitchy, knotty, wet or warped stock.** These are most likely to create pinching conditions and possible KICKBACK. Do not rip warped lumber. Avoid cutting nails.
10. **Use a rip fence or edge guide when ripping.** Guides improve control and reduce blade binding.
11. **Stay alert.** Any distraction can cause twisting or binding. Repetitive cuts may lull the user into careless movements.

General Operation

Always clamp the workpiece securely on a saw horse or bench (Fig. 10). See "APPLICATIONS" for the correct way to support your work in different situations.



1. Draw a cutting line. Place the front of the shoe on the edge of the workpiece without making blade contact. Hold the handle with one hand and the front handle with the other (Fig. 12).



2. Line up the sight line with your cutting line. Position your arms and body to resist KICKBACK.
3. To start the saw, push the lock-off button down while pulling the trigger. Allow the motor to reach full speed before beginning cut.
4. While cutting, keep the shoe flat against the workpiece and maintain a firm grip. Do not force the saw through the workpiece. Forcing a saw can cause KICKBACK.
5. If making a partial cut, restarting in mid-cut or correcting direction, allow the blade to come to a complete stop. To resume cutting, center the blade in the kerf, back the saw away from cutting edge a few inches, push the lock-off button down while pulling the trigger and re-enter the cut slowly.

6. If the saw binds and stalls, maintain a firm grip and release the trigger immediately. Hold the saw motionless in the workpiece until the blade comes to a complete stop.
7. After finishing a cut, be sure the lower guard closes and the blade comes to a complete stop before setting the saw down.

Electric Brake

The electric brake engages when the trigger is released, causing the blade to stop and allowing you to proceed with your work. Generally, the saw blade stops within two seconds. However, there may be a delay between the time you release the trigger and when the brake engages. Occasionally the brake may miss completely. If the brake misses frequently, the saw needs servicing by an authorized *MILWAUKEE* service facility. The brake is not a substitute for the guard, and you must always wait for the blade to stop completely before removing the saw from the workpiece.

Cold Weather Operation

The V28 Lithium-Ion battery pack can be used in temperatures down to -4°F . When the battery pack is very cold, it may pulse for the first minute of use to warm itself up. Put the battery pack on a tool and use the tool in a light application. After about a minute, the pack will have warmed itself up and operate normally.

Troubleshooting

If the blade does not follow a straight line:

- Teeth are dull. This is caused by hitting a hard object such as a nail or stone, dulling teeth on one side. The blade tends to cut to the side with the sharpest teeth.
- Shoe is out of line or bent
- Blade is bent
- Rip fence or guide is not being used

If the blade binds, smokes or turns blue from friction:

- Blade is dull
- Blade is on backwards
- Blade is bent
- Blade is dirty
- Workpiece is not properly supported
- Incorrect blade is being used

APPLICATIONS

Cutting Large Panels

Large panels and long boards sag or bend if they are not correctly supported. If you attempt to cut without leveling and properly supporting the workpiece, the blade will tend to bind, causing KICKBACK.

Support large panels. Be sure to set the depth of the cut so that you only cut through the workpiece, not through the supports.



Ripping Wood

Ripping is cutting lengthwise with the grain. Select the proper blade for your job. Use a rip fence for rips 4" wide or less. To install the rip fence, slide the bar through the rip fence slot in either side of the shoe. The width of the cut is the distance from the inside of the blade to the inside edge of the rip fence. Adjust the rip fence for the desired width, and lock the setting by tightening the rip fence adjusting knob.

When ripping widths greater than 4", clamp or tack 1" lumber to workpiece and use the inside edge of the shoe as a guide.

Cross-Cutting Wood

Cross-cutting is cutting across the grain. Select the proper blade for your job. Advance the saw slowly to avoid splintering the wood.



WARNING
To reduce the risk of electric shock, check work area for hidden pipes and wires before making pocket cuts.

Pocket Cutting

Pocket cuts are made in the middle of the workpiece when it can not be cut from an edge. We recommend using a Sawzall® reciprocating saw or jig saw for this type of cut. However, if you must use a circular saw to make a pocket cut, USE EXTREME CAUTION. To maintain control of the saw during pocket cutting, keep both hands on the saw.

1. Beginning at a corner, line up the sight line with your cutting line. Tilt the saw forward, firmly fixing the front of the shoe on the workpiece (Fig. 14). The blade should be just above cutting line, but not touching it. Raise the lower guard using the lower guard lever.



2. To start the saw, push the lock-off button down while pulling the trigger. Allow the motor to reach full speed before beginning cut. Using the front of the shoe as a hinge point, gradually lower the back end of the saw into the workpiece (Fig. 15). Release the lower guard lever and grasp the front handle.



- When the shoe rests flat against workpiece, advance the saw to the far corner (Fig. 16). Release the trigger and allow the blade to come to a complete stop before removing it from workpiece. Repeat the above steps for each side of the opening. Use a Sawzall® reciprocating saw, jig saw or small hand saw to finish the corners if they are not completely cut through.



MAINTENANCE



WARNING

To reduce the risk of personal injury, always unplug the charger and remove the battery pack from the charger or tool before performing any maintenance. Never disassemble the tool, battery pack or charger. Contact a MILWAUKEE service facility for ALL repairs.

Maintaining Tool

Keep your tool, battery pack and charger in good repair by adopting a regular maintenance program. After six months to one year, depending on use, return the tool, battery pack and charger to a MILWAUKEE service facility for:

- Lubrication
- Brush inspection and replacement
- Mechanical inspection and cleaning (gears, spindles, bearings, housing, etc.)
- Electrical inspection (battery pack, charger, motor)
- Testing to assure proper mechanical and electrical operation

If the tool does not start or operate at full power with a fully charged battery pack, clean the contacts on the battery pack. If the tool still does not work properly, return the tool, charger and battery pack to a MILWAUKEE service facility for repairs.



WARNING

To reduce the risk of personal injury and damage, never immerse your tool, battery pack or charger in liquid or allow a liquid to flow inside them.

Cleaning

Clean out dust and debris from vents and electrical contacts by blowing with compressed air. Keep tool handles clean, dry and free of oil or grease. Use only mild soap and a damp cloth to clean the tool, battery pack and charger, keeping away from all electrical contacts. Certain cleaning agents and solvents are harmful to plastics and other insulated parts. Some of these include gasoline, turpentine, lacquer thinner, paint thinner, chlorinated cleaning solvents, ammonia and household detergents containing ammonia. Never use flammable or combustible solvents around tools.

Repairs

For repairs, return the tool, battery pack and charger to the nearest authorized service center.

ACCESSORIES



WARNING

Always remove battery pack before changing or removing accessories. Only use accessories specifically recommended for this tool. Others may be hazardous.

For a complete listing of accessories refer to your MILWAUKEE Electric Tool catalog or go on-line to www.milwaukeetool.com. To obtain a catalog, contact your local distributor or a service center.

FIVE YEAR TOOL LIMITED WARRANTY

Every MILWAUKEE electric power tool (including battery charger) is warranted to the original purchaser only to be free from defects in material and workmanship. Subject to certain exceptions, MILWAUKEE will repair or replace any part on a electric power tool which, after examination, is determined by MILWAUKEE to be defective in material or workmanship for a period of five (5) years* after the date of purchase. Return the electric power tool and a copy of proof of purchase to a MILWAUKEE factory Service/Sales Support Branch location or MILWAUKEE Authorized Service Station, freight prepaid and insured, are requested for this warranty to be effective. This warranty does not apply to damage that MILWAUKEE determines to be from repairs made or attempted by anyone other than MILWAUKEE authorized personnel, misuse, alterations, abuse, normal wear and tear, lack of maintenance, or accidents.

* The warranty period for Hoists (lever, hand chain, & electric chain hoists), Ni-Cd battery packs, Work Lights (cordless flashlights), Job Site Radios, and Trade Titans™ Industrial Work Carts is one (1) year from the date of purchase.

*There is a separate warranty for Li-Ion Battery Packs that accompany the power tools:

*Every MILWAUKEE Li-Ion Battery Pack is covered by an initial 1000 Charges/2 Years free replacement warranty. This means that for the earlier of the first 1000 charges or two (2) years from the date of purchase/first charge, a replacement battery will be provided to the customer for any defective battery free of charge. Thereafter, customers will also receive an additional warranty on a pro rata basis up to the earlier of the first 2000 charges or five (5) Years from the date of purchase/first charge. This means that every customer gets an additional 1000 charges or three (3) years of pro rata warranty on the Li-Ion Battery Pack depending upon the amount of use. During this additional warranty period, the customer pays for only the useable service received over and above the first 1000 Charges/2 years, based on the date of first charge and number of charges found on the battery pack via MILWAUKEE's Service Reader. After 1000 charges/2 years from the date of purchase/first charge, the customer will be charged a prorated amount for the service rendered.

Warranty Registration is not necessary to obtain the applicable warranty on a MILWAUKEE product. However, proof of purchase in the form of a sales receipt or other information deemed sufficient by MILWAUKEE, is requested.

ACCEPTANCE OF THE EXCLUSIVE REPAIR AND REPLACEMENT REMEDIES DESCRIBED HEREIN IS A CONDITION OF THE CONTRACT FOR THE PURCHASE OF EVERY MILWAUKEE PRODUCT. IF YOU DO NOT AGREE TO THIS CONDITION, YOU SHOULD NOT PURCHASE THE PRODUCT. IN NO EVENT SHALL MILWAUKEE BE LIABLE FOR ANY INCIDENTAL, SPECIAL, CONSEQUENTIAL OR PUNITIVE DAMAGES, OR FOR ANY COSTS, ATTORNEY FEES, EXPENSES, LOSSES OR DELAYS ALLEGED TO BE AS A CONSEQUENCE OF ANY DAMAGE TO, FAILURE OF, OR DEFECT IN ANY PRODUCT INCLUDING, BUT NOT LIMITED TO, ANY CLAIMS FOR LOSS OF PROFITS. THIS WARRANTY IS EXCLUSIVE AND IN LIEU OF ALL OTHER WARRANTIES OR CONDITIONS, WRITTEN OR ORAL, EXPRESSED OR IMPLIED. WITHOUT LIMITING THE GENERALITY OF THE FOREGOING, MILWAUKEE DISCLAIMS ANY IMPLIED WARRANTY OF MERCHANTABILITY OR FITNESS FOR A PARTICULAR USE OR PURPOSE, AND ALL OTHER WARRANTIES.

This warranty applies to product sold in the U.S.A., Canada and Mexico only.

Please consult MILWAUKEE's website www.milwaukeetool.com or call 1.800.SAWDUST (1.800.729.3878) to locate your nearest service facility for warranty and non-warranty service on a MILWAUKEE electric power tool.

RÈGLES GÉNÉRALES DE SÉCURITÉ POUR LES OUTILS ALIMENTÉS PAR BATTERIE



AVERTISSEMENT

LIRE SOIGNEUSEMENT TOUTES LES INSTRUCTIONS

Le non respect des instructions ci-après peut entraîner des chocs électriques, des incendies et/ou des blessures graves. Le terme «outil électrique» figurant dans les avertissements ci-dessous renvoie à l'outil électrique à alimentation par le réseau (à cordon) ou par batterie (sans fil).

CONSERVER CES INSTRUCTIONS

SÉCURITÉ DU LIEU DE TRAVAIL

1. **Maintenir la zone de travail propre et bien éclairée.** Les zones encombrées ou mal éclairées sont favorables aux accidents.
2. **Ne pas utiliser d'outil électrique dans une atmosphère explosive, telle qu'en en présence de liquides, de gaz ou de poussières inflammables.** Les outils électriques génèrent des étincelles qui peuvent enflammer les poussières ou les fumées.
3. **Tenir les enfants et les personnes non autorisées à l'écart pendant le fonctionnement d'un outil électrique.** Un manque d'attention de l'opérateur risque de lui faire perdre le contrôle de l'outil.

SÉCURITÉ ÉLECTRIQUE

4. **La fiche de l'outil électrique doit correspondre à la prise d'alimentation. Ne jamais modifier la fiche d'une manière quelconque. Ne pas utiliser d'adaptateur avec les outils électriques mis à la terre (à la masse).** Des fiches non modifiées et des prises d'alimentation assorties réduisent le risque de choc électrique.
5. **Éviter tout contact corporel avec des surfaces reliées à la masse ou à la terre telles que tuyaux, radiateurs, cuisinières et réfrigérateurs.** Un risque de choc électrique plus élevé existe si le corps est relié à la masse ou à la terre.
6. **Ne pas exposer les outils électriques à la pluie ou à l'humidité.** Le risque de choc électrique augmente si de l'eau s'infiltré dans un outil électrique.

7. **Prendre soin du cordon. Ne jamais utiliser le cordon pour transporter, tirer ou débrancher l'outil électrique. Tenir le cordon à l'écart de la chaleur, des huiles, des arêtes coupantes ou des pièces en mouvement.** Un cordon endommagé ou emmêlé présente un risque accru de choc électrique.
8. **Se procurer un cordon d'alimentation approprié en cas d'utilisation d'un outil électrique à l'extérieur.** L'utilisation d'un cordon d'alimentation pour usage extérieur réduit le risque de choc électrique.

SÉCURITÉ INDIVIDUELLE

9. **Être sur ses gardes, être attentif et faire preuve de bon sens en utilisant un outil électrique. Ne pas utiliser un outil électrique en cas de fatigue ou sous l'influence de drogues, d'alcool ou de médicaments.** Un instant d'inattention lors de l'utilisation d'un outil électrique peut entraîner des blessures graves.
10. **Utiliser un équipement de sécurité. Toujours porter des lunettes de protection.** Un équipement de sécurité comprenant masque anti-poussière, chaussures de sécurité anti-dérapantes, casque ou dispositif de protection anti-bruit peut, dans les circonstances appropriées, réduire le risque de blessure.
11. **Éviter tout démarrage accidentel de l'outil. S'assurer que le commutateur est en position OFF (Arrêt) avant de brancher l'outil.** Le port de l'outil avec un doigt sur le commutateur ou son branchement avec le commutateur en position ON (Marche) sont favorables aux accidents.

12. **Retirer toute clé de réglage avant de mettre l'outil sous tension.** Une clé laissée attachée sur une pièce mobile de l'outil électrique peut entraîner des blessures.
13. **Ne pas travailler à bout de bras. Bien garder un bon équilibre à tout instant.** Ceci permet de mieux préserver la maîtrise de l'outil électrique dans des situations imprévues.
14. **Porter des vêtements adéquats. Ne pas porter de vêtements amples ni de bijoux. Ne pas approcher les cheveux, vêtements et gants des pièces en mouvement.** Les vêtements amples, les bijoux ou les cheveux longs risquent d'être happés par les pièces en mouvement.
15. **Si des dispositifs sont prévus pour l'extraction et la récupération des poussières, vérifier qu'ils sont connectés et utilisés correctement.** L'utilisation de ces dispositifs peut réduire les risques liés aux poussières.

UTILISATION ET ENTRETIEN DE L'OUTIL ÉLECTRIQUE

16. **Ne pas forcer l'outil électrique. Utiliser l'outil électrique approprié à l'application considérée.** L'outil électrique adapté au projet considéré produira de meilleurs résultats, dans des conditions de sécurité meilleures, à la vitesse pour laquelle il a été conçu.
17. **Ne pas utiliser l'outil électrique si le commutateur ne le met pas sous ou hors tension.** Tout outil électrique dont le commutateur de marche-arrêt est inopérant est dangereux et doit être réparé.
18. **Débrancher la fiche de la prise d'alimentation et/ou la batterie de l'outil électrique avant d'effectuer des réglages, de changer d'accessoires ou de ranger l'outil.** De telles mesures de sécurité préventive réduisent le risque de mettre l'outil en marche accidentellement.
19. **Ranger les outils électriques inutilisés hors de la portée des enfants et ne pas laisser des personnes qui connaissent mal les outils électriques ou ces instructions utiliser ces outils.** Les outils électriques sont dangereux dans les mains d'utilisateurs non formés à leur usage.

20. **Entretien des outils électriques. S'assurer de l'absence de tout désalignement ou de grippage des pièces mobiles, de toute rupture de pièce ou de toute autre condition qui pourrait affecter le bon fonctionnement de l'outil électrique. En cas de dommages, faire réparer l'outil avant de l'utiliser de nouveau.** Les outils électriques mal entretenus sont à la source de nombreux accidents.
21. **Garder les outils de coupe affûtés et propres.** Les outils de coupe correctement entretenus et bien affûtés risquent moins de se gripper et sont plus faciles à manier.
22. **Utiliser cet outil électrique, les accessoires, les mèches, etc. conformément à ces instructions et de la façon prévue pour ce type particulier d'outil électrique, tout en prenant en compte les conditions de travail et le type de projet considérés.** L'utilisation de cet outil électrique pour un usage autre que l'usage prévu peut créer des situations dangereuses.

UTILISATION ET ENTRETIEN DE LA BATTERIE

23. **S'assurer que le commutateur est en position OFF (Arrêt) avant d'insérer la batterie.** L'insertion de la batterie dans un outil électrique dont le commutateur est en position ON (Marche) est favorable aux accidents.
24. **Ne recharger la batterie qu'avec le chargeur spécifié par le fabricant.** Un chargeur qui convient à un type de batterie peut créer un risque d'incendie s'il est utilisé avec un autre type de batterie.
25. **N'utiliser les outils électriques qu'avec les batteries spécialement conçues pour eux.** L'utilisation de batteries d'autres marques peut créer un risque de blessure et d'incendie.
26. **Lorsque la batterie est hors service, la ranger à l'écart d'autres objets métalliques tels que trombones, pièces de monnaie, clés, clous, vis et autres petits objets métalliques qui peuvent établir une connexion d'une borne à l'autre.** Un court-circuit aux bornes de la batterie peut provoquer des brûlures ou un incendie.

27. **Du liquide peut être éjecté de la batterie en cas de manutention abusive ; éviter tout contact. En cas de contact accidentel avec les projections, rincer à l'eau. En cas de contact avec les yeux, consulter un médecin.** Le liquide s'échappant de la batterie peut provoquer des irritations ou des brûlures.

ENTRETIEN

28. **Faire effectuer l'entretien de l'outil électrique par un technicien qualifié qui n'utilisera que des pièces de rechange identiques.** La sécurité d'utilisation de l'outil en sera préservée.

RÈGLES DE SÉCURITÉ SPÉCIFIQUES

1. DANGER:

Garder les mains à l'écart de la zone de coupe et de la lame. Maintenir l'autre main sur la poignée auxiliaire ou sur le carter du moteur. Si les deux mains tiennent la scie, elles ne peuvent pas être coupées par la lame.

Ne pas tendre la main vers le dessous de pièce de travail. Le garant n'offre aucune protection contre la lame sous la pièce de travail.

Régler la profondeur de coupe en fonction de l'épaisseur de la pièce de travail. Moins d'une dent complète des dents de la lame doit être visible sous la pièce de travail.

NE JAMAIS maintenir la pièce dont la coupe est en cours avec les mains ou contre la jambe. Fixer la pièce de travail à une plate-forme stable. Il est important de supporter correctement la pièce pour minimiser l'exposition du corps, le grippage de la lame ou la perte de contrôle de cette dernière.

Tenir l'outil électrique par les surfaces de prise isolées si, au cours des travaux, l'outil de coupe risque d'entrer en contact avec des fils cachés ou avec son propre cordon. Le contact avec un fil sous tension met les parties métalliques exposées de l'outil sous tension, ce qui inflige une secousse électrique à l'opérateur.

Lors du sciage en long, toujours utiliser un guide longitudinal ou un guide à bord droit. Ceci améliore la précision de la coupe et réduit les risques de grippage de la lame.

Toujours utiliser des lames avec des trous d'alésage central de la taille et de la forme (en diamant comparé aux trous ronds) corrects. Les lames qui ne correspondent pas à la visserie de montage de la lame fonctionnent de façon excentrée, causant une perte de contrôle.

Ne jamais utiliser des rondelles ou des vis de lame endommagées ou incorrectes. Les rondelles et les vis de la lame sont spécialement conçues pour la scie, pour des performances et une sécurité de fonctionnement optimales.

2. Causes des effets de REBOND et leur prévention par l'opérateur:

Un REBOND est la brusque réaction d'une lame de scie pincée, coincée ou mal alignée, provoquant un relèvement incontrôlé de la lame hors de la pièce de travail vers l'opérateur.

Lorsque la lame est fermement pincée ou coincée par la fermeture du trait de scie, la lame cale et la réaction du moteur entraîne rapidement l'unité en arrière vers l'opérateur.

Si la lame devient vrillée ou mal alignée en cours de coupe, les dents du bord arrière de la lame peuvent creuser dans la surface supérieure du bois, ce qui peut faire sauter la lame hors du trait de scie et vers l'opérateur.

Un REBOND est le résultat d'une mauvaise utilisation de la scie et/ou de procédures ou de conditions d'utilisation incorrectes et il peut être évité en prenant les précautions appropriées suivantes:

Maintenir une prise ferme des deux mains sur la scie et positionner les bras de sorte à résister aux rebonds éventuels. Se maintenir d'un côté ou de l'autre de la lame et non pas dans le prolongement de celle-ci. Un rebond peut provoquer un saut en arrière de la lame mais le choc en retour peut être contrôlé par l'opérateur si les précautions correctes sont prises.

Quand la lame est grippée ou lors de l'interruption d'une coupe pour une raison quelconque, relâcher ladéente et maintenir la scie immobile dans le matériau jusqu'à l'arrêt total de la lame. Ne jamais tenter de retirer la lame de la pièce ou de tirer la lame en arrière lorsque la lame est en mouvement afin d'éviter tout rebond. Rechercher la cause du grippage de la lame et prendre les actions correctives pour l'éliminer.

Lors du redémarrage d'une scie dans la pièce de travail, centrer la lame de la scie dans le trait et vérifier que les dents de la lame ne sont pas engagées dans le matériau. Si la lame de la scie est grippée, elle peut remonter ou rebondir de la pièce de travail lors du redémarrage de la scie.

Supporter les grands panneaux pour minimiser les risques de pincement ou de retour de la lame. Les grands panneaux ont tendance à fléchir sous leur propre poids. Des supports doivent être placés des deux côtés sous le panneau, près de la ligne de coupe et près du bord du panneau.

Ne pas utiliser une lame émoussée ou endommagée. Des lames émoussées ou montées incorrectement produisent un trait de scie fin provoquant des frictions excessives, des grippages et des rebonds de lame.

Les leviers de verrouillage de la profondeur de la lame et de réglage du biseau doivent être serrés et fixés avant d'effectuer la coupe. Le grippage et le rebond de la lame peuvent être provoqués par une modification du réglage de la lame lors de la coupe.

Faire preuve de précaution supplémentaire lors d'une «coupe en plongée» (ou en alvéole) dans des murs existants ou d'autres zones aveugles. La lame protubérante peut couper des objets qui peuvent provoquer un rebond.

3. **Vérifier la fermeture correcte du garant inférieur avant chaque utilisation. Ne pas utiliser la scie si le garant inférieur ne se déplace pas librement et ne se ferme pas instantanément. Ne jamais fixer ou attacher le garant inférieur en position ouverte.** Si la scie tombe accidentellement, le garant inférieur risque d'être tordu. Relever le garant inférieur avec son levier et s'assurer qu'il se déplace librement et ne touche pas la lame ou toute autre pièce, quels que soient les angles et les profondeurs de coupe.

Vérifier le fonctionnement du ressort du garant inférieur. Si le garant et le ressort ne fonctionnent pas correctement, les réparer avant utilisation. Le garant inférieur peut fonctionner lentement en raison de pièces endommagées, de dépôts gommeux ou d'accumulation de débris.

Le garant inférieur ne doit être manuellement rétracté que pour des coupes spéciales telles que les «coupes en plongée» («coupes en alvéole») ou les «coupes composées». Relever le garant inférieur par son levier du garant et, dès que la lame pénètre dans le matériau, le garant inférieur doit être relâché. Pour toutes les autres coupes, le garant inférieur doit fonctionner automatiquement.

Toujours s'assurer que le garant inférieur recouvre la lame avant de mettre la scie sur un établi ou sur le sol. Une lame en roue libre non protégée fait progresser la scie en arrière en coupant tout sur son passage. Être conscient de la durée nécessaire à la lame pour s'immobiliser après avoir relâché la commande.

4. **Maintenir en l'état les étiquettes et les plaques d'identification.** Des informations importantes y figurent. Si elles sont illisibles ou manquantes, contacter un centre de services et d'entretien **MILWAUKEE** pour un remplacement gratuit.
5. **AVERTISSEMENT!** Certaines poussières générées par les activités de ponçage, de coupe, de rectification, de perçage et d'autres activités de construction contiennent des substances considérées être la cause de malformations congénitales et de troubles de l'appareil reproducteur. Parmi ces substances figurent:

- le plomb contenu dans les peintures à base de plomb
- la silice cristalline des briques, du ciment et d'autres matériaux de maçonnerie, ainsi que
- l'arsenic et le chrome des sciages traités chimiquement.

Les risques encourus par l'opérateur envers ces expositions varient en fonction de la fréquence de ce type de travail. Pour réduire l'exposition à ces substances chimiques, l'opérateur doit : travailler dans une zone bien ventilée et porter l'équipement de sécurité approprié, tel qu'un masque anti-poussière spécialement conçu pour filtrer les particules microscopiques.

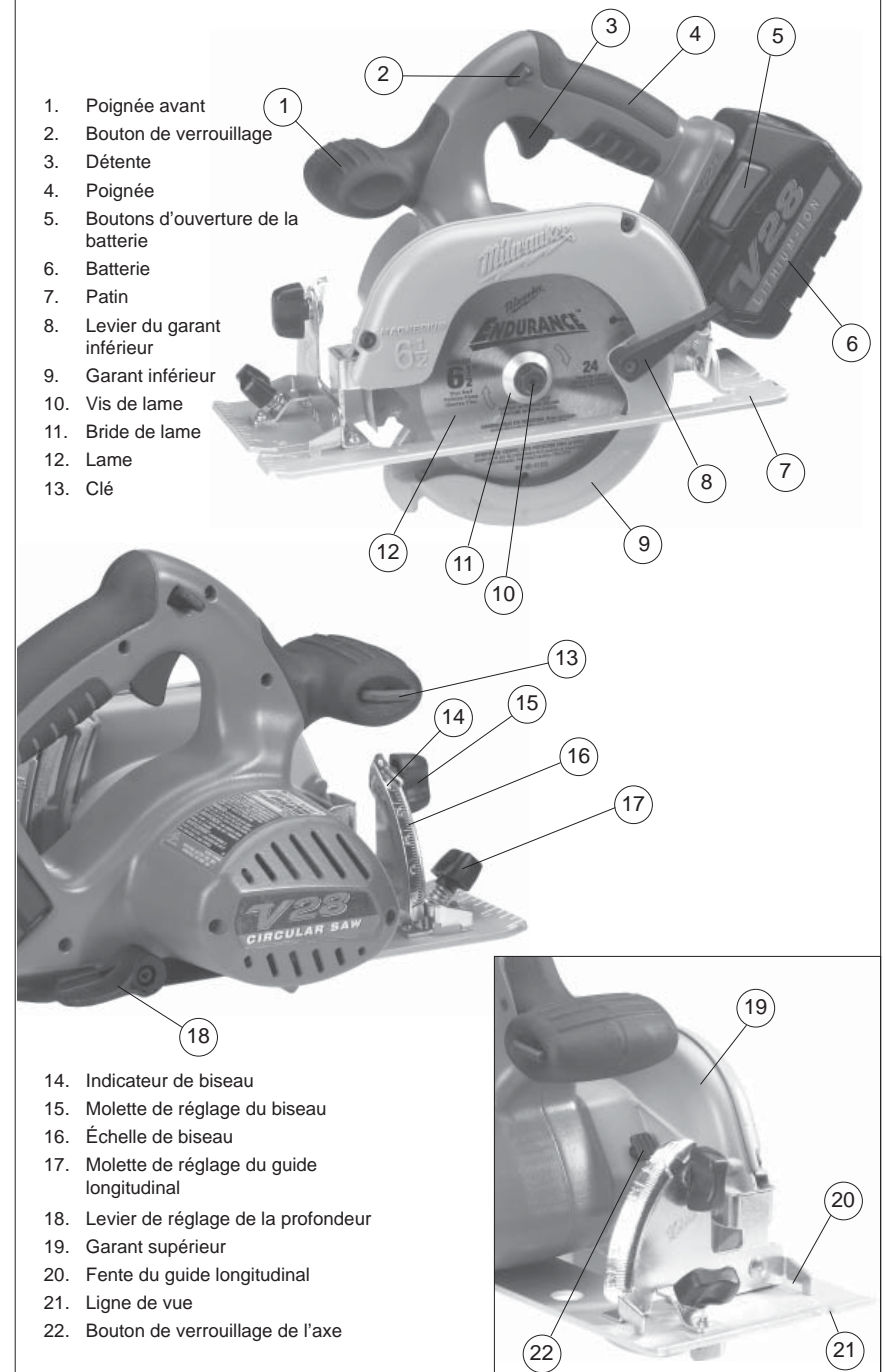
Pictographie

	Tension CD seul.
n_0 xxxxmin. ⁻¹	Tours à vide par minute (RPM)
	Underwriters Laboratories, Inc., États-Unis et Canada

Spécifications

No de cat.	Volts cd	RPM	Taille de la lame	Alésage	Profondeur de coupe à 90°	Profondeur de coupe à 45°
0730-20	28	4 200	165 mm (6-1/2")	5/8"	0 à 54 mm (0 à 2-1/8")	0 à 40 mm (0 à 1-9/16")

DESCRIPTION FONCTIONNELLE



MONTAGE DE L'OUTIL

AVERTISSEMENT

Ne recharger la batterie qu'avec le chargeur indiqué pour la batterie. Pour les instructions de charge spécifiques, lire le manuel de l'opérateur fourni avec le chargeur et la batterie.

AVERTISSEMENT

Pour éviter les risques de blessure, toujours retirer la batterie avant de changer ou de démonter les accessoires. N'utiliser que les accessoires spécialement conçus pour cet outil. Les accessoires non recommandés peuvent présenter des dangers.

Retrait de la batterie de l'outil

Pousser les boutons d'ouverture vers l'intérieur et retirer la batterie de l'outil.

Insertion de la batterie dans l'outil

Pour insérer la batterie dans l'outil, la glisser sur le corps de l'outil. S'assurer qu'elle se loge fermement en place.



Insertion d'une batterie ← → Retrait d'une batterie

Sélection de la lame

Toujours utiliser des lames affûtées. Des lames émoussées ont tendance à surcharger l'outil et augmentent les risques de REBOND (voir «Causes des effets de REBOND et leur prévention par l'opérateur»). N'utiliser que des lames à trait fin avec une vitesse de fonctionnement maximale en toute sécurité supérieure à la vitesse de rotation sans charge indiquée sur la plaque d'identification de l'outil. Lire les instructions du fabricant de la lame avant de l'utiliser. Ne pas utiliser un type quelconque de meule à tronçonner abrasive ou de lame de coupe en diamant.

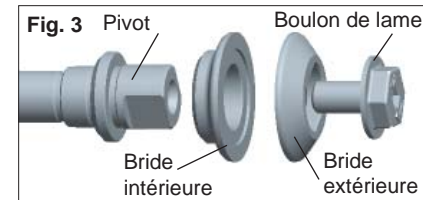
Installation et démontage des lames

1. RETIRER LA BATTERIE AVANT L'INSTALLATION OU LE DÉMONTAGE DES LAMES.
2. Mettre la scie sur une surface plate avec la lame vers le haut. Pour retirer la vis de l'axe, enfoncer le bouton de verrouillage de l'axe. Tout en maintenant le bouton de verrouillage de l'axe enfoncé, utiliser la clé fournie avec l'outil pour tourner la vis dans le sens horaire (Fig. 2). Retirer la vis et la bride de la lame.



3. Faire glisser le levier du garant inférieur vers le haut pour relever le garant inférieur. Retirer la lame de l'axe. Toujours nettoyer l'axe, le garant inférieur et le garant supérieur pour éliminer la saleté et la sciure.

N.B. : N'enlevez pas la bride intérieure de lame. Le plus grand diamètre de la bride intérieure doit appuyer sur la lame (Fig. 3).



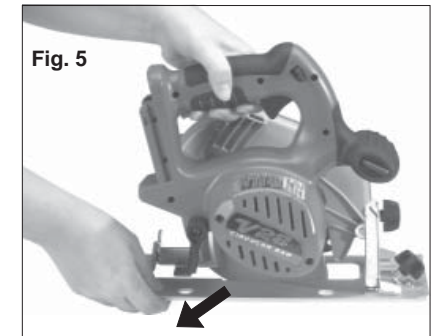
4. Pour installer une lame, la placer sur l'axe avec les dents pointant dans la même direction que la flèche sur le garant inférieur (Fig. 4). Relâcher le levier du garant inférieur.



5. Placer la bride de la lame sur l'axe et serrer la vis à la main.
6. Tout en maintenant le bouton de verrouillage de l'axe enfoncé, utiliser la clé fournie avec l'outil pour tourner la vis dans le sens anti-horaire et serrer.

Réglage de la profondeur

1. Retirer la batterie.
2. Pour régler la profondeur de coupe, maintenir la scie par la poignée et desserrer le levier de réglage de la profondeur en le poussant vers le bas, en direction du patin (Fig. 5).



3. Relever ou abaisser le patin à la position souhaitée. Des repères à incréments d'6 mm (1/4 pouce) sont situés sur les côtés intérieurs du garant supérieur pour le réglage de la profondeur. Pour le réglage correct de la profondeur, la lame ne doit pas être déployée de plus d'3 à 6 mm (1/8 à 1/4 pouce) au-dessous du matériau à couper (Fig. 6).



4. Relever le levier de réglage de la profondeur vers le haut en direction du carter du moteur pour fixer la position du patin.

Réglage de l'angle du biseau

1. Retirer la batterie.
2. Pour régler l'angle de coupe, maintenir la scie par la poignée et desserrer la molette de réglage du biseau (Fig. 7).



3. Maintenir l'avant du patin et faire tourner la scie par la poignée à l'angle souhaité comme indiqué par les repères de l'échelle du biseau (Fig. 8).

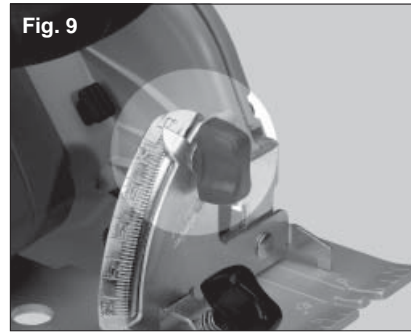


4. Serrer fermement la molette de réglage du biseau.

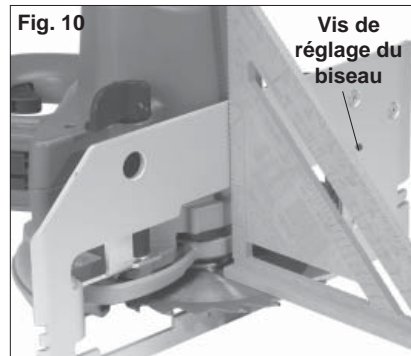
Réglage de la lame au patin

Le patin a été réglé en usine à un angle de 90°. Inspecter régulièrement la scie pour s'assurer que la lame est à 90° du patin.

1. Retirer la batterie.
2. Régler l'indicateur de biseau sur zéro (Fig. 9).



3. Pour s'assurer que la lame est à 90 degrés du patin, placer la scie sur le côté de la lame et rétracter le garant inférieur. Placer une équerre contre la lame et le patin et vérifier le réglage de l'inclinaison (Fig. 10).



4. Pour régler l'inclinaison, desserrer la molette de réglage du biseau. Visser ou dévisser la vis de réglage du biseau jusqu'à ce que la lame soit à un angle de 90° du patin.
5. Serrer fermement la molette de réglage du biseau.

MANIEMENT



AVERTISSEMENT

Pour réduire le risque de blessures, garder les mains à l'écart de la lame et des autres pièces en mouvement. Toujours porter des lunettes à coques ou des lunettes de protection avec écrans latéraux. N'utiliser que les accessoires spécifiquement recommandés. Les accessoires non recommandés peuvent présenter des dangers.

Causes des effets de REBOND et leur prévention par l'opérateur:

Un REBOND est la brusque réaction d'une lame de scie pincée, coincée ou mal alignée, provoquant un relèvement incontrôlé de la scie hors de la pièce de travail vers l'opérateur.

Lorsque la lame est fermement pincée ou coincée par la fermeture du trait de scie ou fente de coupe, la lame cale et la réaction du moteur entraîne rapidement l'unité en arrière vers l'opérateur.

Si la lame devient vrillée ou mal alignée en cours de coupe, les dents à l'arrière de la lame peuvent creuser dans la surface supérieure du bois, ce qui peut faire sauter la lame hors du trait de scie et vers l'opérateur.

Un REBOND est le résultat d'une mauvaise utilisation de l'outil et/ou de procédures ou de conditions d'utilisation incorrectes et il peut être évité en prenant les précautions correctes données ci-dessous :

1. **Maintenir une prise ferme des deux mains sur la scie et positionner le corps et le bras de sorte à résister aux REBONDS éventuels.** Les REBONDS peuvent être contrôlés par l'opérateur si les précautions correctes sont prises.

2. **Quand la lame est grippée ou lors de l'interruption d'une coupe pour une raison quelconque, relâcher la détente et maintenir la scie immobile dans le matériau jusqu'à arrêt total de la lame. Ne jamais tenter de retirer la lame de la pièce de travail ou tirer la lame en arrière lorsque la lame est en mouvement afin d'éviter tout REBOND.** Rechercher la cause du grippage de la lame et prendre les actions correctives pour l'éliminer.
3. **Lors du redémarrage d'une scie dans la pièce de travail, centrer la lame de la scie dans le trait de scie ou la coupure et vérifier que les dents de la lame ne sont pas engagées dans le matériau.** Si la lame de la scie est grippée, elle peut remonter ou REBONDIR de la pièce de travail lors du redémarrage de la scie.
4. **Supporter les grands panneaux pour minimiser les risques de pincement ou de REBOND de la lame.** Les grands panneaux ont tendance à fléchir sous leur propre poids. Des supports doivent être placés des deux côtés sous le panneau, près de la ligne de coupe et près du bord du panneau.
5. **Ne pas utiliser de lames émoussées ou endommagées.** Des lames émoussées ou montées incorrectement produisent un trait de scie fin, provoquant des frictions excessives, des grippages et des rebonds de lame.
6. **Les leviers de verrouillage de la profondeur de la lame et de réglage du biseau doivent être serrés et fixés avant d'effectuer la coupe.** Le grippage et le REBOND de la lame peuvent être provoqués par un glissement du réglage de la lame lors de la coupe.

7. **Faire preuve de précaution supplémentaire lors d'une «coupe en alvéole» dans des murs existants ou d'autres zones aveugles.** La lame protubérante peut couper des objets qui peuvent provoquer un REBOND.
8. **Régler la profondeur de coupe au maximum d'3 à 6 mm (1/8 à 1/4 pouce) de plus que l'épaisseur du matériau.** Une exposition minimale de la lame réduit les risques de grippage et de REBOND. Avant de couper, s'assurer que les réglages de la profondeur et du biseau sont bien serrés.
9. **Faire attention aux matériaux poisseux, noueux, humides ou gauchis.** Ils ont une propension plus importante à créer des conditions de grippage et d'éventuels REBONDS. Ne pas couper du bois gauchi. Éviter de couper des clous.
10. **Lors du sciage longitudinal, utiliser un guide longitudinal ou un guide de bordure.** Les guides améliorent le contrôle et réduisent le grippage de la lame.
11. **Rester attentif.** Toute distraction peut provoquer une torsion ou un grippage. Des coupes répétées peuvent entraîner l'utilisateur à effectuer des mouvements imprudents.

Fonctionnement général

Toujours fixer fermement la pièce de travail sur un chevalet de sciage ou un établi (Fig. 10). Voir «APPLICATIONS» pour la façon correcte de supporter la pièce de travail dans diverses situations.



Fig. 11

1. Tracer une ligne de coupe. Placer l'avant du patin sur le bord de la pièce de travail sans toucher la lame. Maintenir la poignée d'une main et la poignée avant de l'autre (Fig. 12).



Fig. 12

2. Aligner la ligne de vue avec la ligne de coupe. Positionner les bras et le corps pour résister à un REBOND éventuel.
3. Pour mettre la scie en marche, pousser le bouton de verrouillage vers le bas tout en appuyant sur la détente. Laisser le moteur atteindre sa pleine vitesse avant de commencer à couper.
4. Tout en découpant, maintenir le patin plat contre la pièce de travail et maintenir une prise ferme. Ne pas forcer la scie à travers la pièce de travail. Le fait de forcer une scie peut provoquer un REBOND.
5. En cas de coupe partielle, de redémarrage à mi-coupe ou de correction de la direction, attendre l'arrêt complet de la lame. Centrer la lame dans le trait de scie, dégager la scie du bord de coupe de quelques centimètres, appuyer sur la détente et pénétrer de nouveau lentement dans la fente.
6. Si la lame se grippe ou cale, maintenir une prise ferme et relâcher immédiatement la détente. Maintenir la scie immobile dans la pièce de travail jusqu'à ce que la lame s'arrête complètement.
7. Après avoir terminé une coupe, s'assurer que le garant inférieur se ferme et que la lame s'arrête complètement avant de poser la scie.

Frein électrique

Le frein électrique s'enclenche lors du relâchement de la pression sur la détente, ce qui a pour effet d'immobiliser la lame et de permettre à l'opérateur de poursuivre son travail. La lame de scie s'immobilise généralement dans les deux secondes qui suivent. Un délai peut se produire toutefois entre le relâchement total de la pression exercée sur la détente et l'enclenchement du frein. Il se peut qu'occasionnellement le frein ne s'enclenche pas du tout. En cas de dysfonctionnement fréquent du frein, faire réparer la scie par un centre d'entretien MILWAUKEE agréé. Le frein n'est pas une alternative au garant et il faut toujours attendre l'arrêt complet de la lame avant de retirer la scie de la pièce de travail.

Fonctionnement par temps froid

Il est possible d'utiliser la batterie au lithium-ion V28 à des températures ambiantes allant jusqu'à -20°C (-4°F). Lorsque la température de la batterie est très basse, elle peut envoyer des impulsions pendant la première minute d'utilisation pour se réchauffer. Mettre la batterie sur un outil et utiliser cet outil sur une application légère. Au bout d'une minute d'utilisation, la batterie se sera suffisamment réchauffée et fonctionnera normalement.

Dépannage

Si la lame ne suit pas une ligne droite:

- Les dents sont émoussées. Ceci résulte du heurt avec un objet dur tel qu'une pointe ou une pierre, émoussant les dents d'un côté. La lame a tendance à couper du côté ayant les dents les plus affûtées.
- Le patin n'est pas aligné ou est tordu
- La lame est tordue
- Le guide longitudinal ou le guide ne sont pas utilisés

Si la lame se grippe, fume ou bleuit en raison de la friction:

- La lame est émoussée
- La lame est montée à l'envers
- La lame est tordue
- La lame est sale
- La pièce de travail n'est pas correctement supportée
- Une lame incorrecte est utilisée

APPLICATIONS

Coupe de grands panneaux

Les grands panneaux et les longues planches fléchissent ou ploient s'ils ne sont pas correctement supportés. En cas de coupe d'une pièce de travail qui n'est ni de niveau ni supportée, la lame risque de se gripper et de provoquer des REBONDS.

Supporter les grands panneaux. S'assurer de régler la profondeur de coupe afin de ne couper qu'à travers la pièce de travail et non pas à travers les supports.



Fig. 13

Sciage de bois longitudinal

Le sciage longitudinal consiste à scier dans le sens de la longueur avec le grain. Sélectionner la lame correcte pour le travail. Utiliser un guide longitudinal ou un guide de bordure pour des sciages en long d'une largeur maximale de 100 mm (4 pouces). Pour installer le guide longitudinal, faire glisser la barre par la fente du guide longitudinal sur un des deux côtés du patin. La largeur de coupe est la distance de l'intérieur de la lame au bord intérieur du guide longitudinal. Régler le guide longitudinal pour la largeur souhaitée et verrouiller le réglage en serrant la molette de réglage du guide longitudinal.

Quand les largeurs de sciage longitudinal sont supérieures à 100 mm (4 pouces), brider ou clouer une pièce de bois d'25 mm (1 pouce) à la pièce de travail et utiliser le bord intérieur du patin comme un guide.

Sciage de bois transversal

Le sciage transversal consiste à scier en travers du grain. Sélectionner la lame correcte pour le travail. Avancer la scie lentement pour éviter l'éclatement du bois.



AVERTISSEMENT

Pour réduire les risques de chocs électriques, vérifier la zone de travail à la recherche de tuyaux et de fils cachés avant d'effectuer des coupes en alvéole.

Coupe en alvéole

Les coupes en alvéole sont faites au milieu d'une pièce de travail lorsqu'elle ne peut pas être découpée à partir d'un bord. Il est recommandé d'utiliser une scie alternative Sawzall® ou une scie sauteuse pour ce type de coupe. Toutefois, s'il est nécessaire d'utiliser une scie circulaire pour effectuer une coupe en alvéole, FAIRE PREUVE D'EXTRÊME PRUDENCE. Pour garder le contrôle de la scie lors de la coupe en alvéole, maintenir les deux mains sur la scie.

1. Commencer à un coin, aligner la ligne de vue avec la ligne de coupe. Basculer la scie vers l'avant, en fixant fermement l'avant du patin sur la pièce de travail (Fig. 14). La lame doit être juste au-dessus de la ligne de coupe, sans la toucher. Relever le garant inférieur en utilisant le levier du garant inférieur.

Fig. 14



2. Pour mettre la scie en marche, pousser le bouton de verrouillage vers le bas tout en appuyant sur la détente. Attendre que le moteur atteigne sa pleine vitesse avant de commencer à couper. En utilisant l'avant du patin comme un point de charnière, abaisser progressivement l'extrémité arrière de la scie dans la pièce de travail (Fig. 15). Relâcher le levier du garant inférieur et saisir la poignée avant.

Fig. 15



3. Quand le patin repose à plat contre la pièce de travail, avancer la scie vers le coin éloigné (Fig. 16). Relâcher la détente et laisser la lame s'arrêter complètement avant de la retirer de la pièce de travail. Répéter les étapes ci-dessus pour chaque côté de l'ouverture. Utiliser une scie alternative Sawzall®, une scie sauteuse ou une petite scie égoïne pour finir les coins s'ils ne sont pas complètement coupés.

Fig. 16



ENTRETIEN



AVERTISSEMENT

Pour réduire le risque de blessure, toujours débrancher le chargeur et retirer la batterie du chargeur ou de l'outil avant d'effectuer un quelconque entretien. Ne jamais démonter l'outil, la batterie ou le chargeur. Contacter un centre d'entretien MILWAUKEE pour TOUTES les réparations.

Entretien de l'outil

Maintenir l'outil, la batterie et le chargeur en bon état en adoptant un calendrier d'entretien périodique. Après six mois ou un an, en fonction de l'usage qu'il en est fait, renvoyer l'outil, la batterie et le chargeur à un centre d'entretien MILWAUKEE pour:

- Lubrification
- Inspection et remplacement du balai
- Inspection et nettoyage des composants mécaniques (engrenages, axes, roulements, carter, etc.)
- Inspection des composants électriques (batterie, chargeur et moteur)
- Essai, afin de vérifier le bon fonctionnement des composants mécaniques et électriques de l'outil

Nettoyer les contacts de la batterie s'il est impossible de mettre l'outil en marche ou si l'outil ne fonctionne pas à pleine capacité en dépit d'une batterie complètement chargée. Si l'outil ne fonctionne toujours pas correctement, renvoyer l'outil, le chargeur et la batterie à un centre d'entretien MILWAUKEE pour réparation.



AVERTISSEMENT

Pour réduire le risque de blessure ou de dommage, ne jamais plonger l'outil, la batterie ou le chargeur dans un liquide et ne jamais laisser l'eau s'y infiltrer.

Nettoyage

Nettoyer la poussière et les débris des événements et des contacts électriques à l'air comprimé. Maintenir les poignées de l'outil propres, sèches et exemptes de graisse ou d'huile. N'utiliser que du savon doux et un chiffon humide pour nettoyer l'outil, la batterie et le chargeur, en évitant les contacts électriques. Certains produits de nettoyage ou solvants sont nocifs pour les plastiques et les pièces isolées, notamment : essence, essence de térébenthine, diluant pour vernis, diluant pour peintures, solvant chloré, ammoniaque et détergents ménagers contenant de l'ammoniaque. Ne jamais utiliser de solvants inflammables ou combustibles à proximité d'outils.

Réparations

Pour toutes réparations, renvoyer l'outil, la batterie et le chargeur au centre d'entretien agréé le plus proche.

ACCESSOIRES



AVERTISSEMENT

Toujours enlever la batterie avant de changer ou de retirer un accessoire. N'utiliser que les accessoires spécialement conçus pour cet outil. Les accessoires non recommandés peuvent présenter des dangers.

Pour une liste complète des accessoires, consulter le catalogue des outils MILWAUKEE Electric Tool ou aller en ligne à l'adresse www.milwaukeetool.com. Pour obtenir un catalogue, contacter le distributeur local ou un centre d'entretien.

GARANTIE LIMITÉE DE L'OUTIL DE CINQ ANS

Chaque outil électrique *MILWAUKEE* (y compris le chargeur de batterie) est garanti à l'acheteur d'origine être exempt de vice du matériau et de fabrication. Sous réserve de certaines exceptions, *MILWAUKEE* réparera ou remplacera toute pièce d'un outil électrique qui, après examen, sera avéré par *MILWAUKEE* être affecté d'un vice du matériau ou de fabrication pendant une période de cinq (5) ans* après la date d'achat. Le retour de l'outil électrique, accompagné d'une copie de la preuve d'achat à un site d'entretien d'usine/de promotion des ventes de *MILWAUKEE* ou à un poste d'entretien agréé *MILWAUKEE*, en port prépayé et assuré, est requis pour que cette garantie s'applique. Cette garantie ne couvre pas les dommages que *MILWAUKEE* détermine être causés par des réparations ou des tentatives de réparation par quiconque autre que le personnel agréé par *MILWAUKEE*, des utilisations incorrectes, des altérations, des utilisations abusives, une usure normale, une carence d'entretien ou les accidents.

* La période de garantie pour les palans (palans à levier, à chaîne manuelle et à la chaîne électrique), les ensembles de batteries au Ni-Cd, les projecteurs de travail (lampes sans fil), les radios de chantier et les chariots de travail industriel Trade Titans™ est de un (1) an à partir de la date d'achat.

*Il existe une garantie séparée pour les ensembles de batteries au Li-Ion qui accompagnent les outils électriques :

*Chaque bloc de batteries au Li-Ion *MILWAUKEE* est couvert par une garantie de remplacement gratuit initial pour 1 000 charges/2 ans. Ceci signifie qu'avant les 1 000 premières charges ou deux (2) années suivant la date d'achat/la première charge, une batterie de rechange sera gratuitement fournie au client pour toute batterie défectueuse. Par la suite, les clients recevront aussi une garantie supplémentaire calculée au prorata dans la limite de 2 000 charges ou cinq (5) années suivant la date d'achat/la première charge, à la première échéance. Ceci signifie que chaque client obtient une garantie au prorata supplémentaire de 1 000 charges ou de trois (3) des années du bloc de batteries au Li-Ion en fonction de l'utilisation. Pendant cette période de garantie supplémentaire, le client ne paye que pour le service utilisable reçu au-delà des 1 000 premières charges/2 premières années, en fonction de la date de la première charge et du nombre de charges du bloc de batteries déterminés par le lecteur de service *MILWAUKEE*. Au-delà de 1 000 charges/2 ans à compter de la date d'achat/de la première charge, le client sera facturé un montant au prorata du service rendu.

L'enregistrement de la garantie n'est pas nécessaire pour bénéficier de la garantie en vigueur sur un produit *MILWAUKEE*. Une preuve d'achat sous la forme d'un reçu de vente ou d'autres informations considérées suffisantes par *MILWAUKEE* est cependant requise.

L'ACCEPTATION DES RECOURS EXCLUSIFS DE RÉPARATION ET DE REMPLACEMENT DÉCRITS PAR LES PRÉSENTES EST UNE CONDITION DU CONTRAT D'ACHAT DE TOUT PRODUIT *MILWAUKEE*. SI VOUS N'ACCEPTÉZ PAS CETTE CONDITION, VOUS NE DEVEZ PAS ACHETER LE PRODUIT. EN AUCUN CAS *MILWAUKEE* NE SAURAIT ÊTRE RESPONSABLE DE TOUT DOMMAGE ACCESSOIRE, SPÉCIAL OU INDIRECT, DE DOMMAGES-INTÉRÊTS PUNITIFS OU DE TOUTE DÉPENSE, D'HONORAIRES D'AVOCATS, DE FRAIS, DE PERTE OU DE DÉLAIS ACCESSOIRES À TOUT DOMMAGE, DÉFAILLANCE OU DÉFAUT DE TOUT PRODUIT, Y COMPRIS NOTAMMENT LES PERTES DE PROFIT. CETTE GARANTIE EST EXCLUSIVE ET REMPLACE TOUTE AUTRE GARANTIE OU CONDITION, ÉCRITE OU VERBALE, EXPRESSE OU IMPLICITE. SANS LIMITER LA GÉNÉRALITÉ DES DISPOSITIONS PRÉCÉDENTES, *MILWAUKEE* DÉCLINE TOUTE GARANTIE IMPLICITE DE QUALITÉ MARCHANDE OU D'ADAPTATION À UNE UTILISATION OU À UNE FIN PARTICULIÈRE ET TOUTE AUTRE GARANTIE.

Cette garantie s'applique aux produits vendus aux États-Unis, au Canada et au Mexique uniquement.

Veuillez consulter le site Internet de *MILWAUKEE*, www.milwaukeetool.com, ou appeler le 1.800.SAWDUST (1.800.729.3878) pour trouver le site d'entretien le plus proche pour toute réparation, garantie ou non, d'un outil électrique *MILWAUKEE*.

REGLAS DE SEGURIDAD GENERALES PARA HERRAMIENTAS OPERADAS POR BATERÍA



ADVERTENCIA

LEA TODAS LAS INSTRUCCIONES

Si no se siguen todas las siguientes instrucciones se puede provocar una descarga eléctrica, un incendio y/o lesiones graves. El término "herramienta eléctrica" en todas las advertencias incluidas más abajo se refiere a su herramienta operada por conexión (cable) a la red eléctrica o por medio de una batería (inalámbrica).

GUARDE ESTAS INSTRUCCIONES

SEGURIDAD EN EL ÁREA DE TRABAJO

1. **Mantenga limpia y bien iluminada el área de trabajo.** Las áreas desordenadas u oscuras contribuyen a que se produzcan accidentes.
2. **No utilice herramientas eléctricas en atmósferas explosivas, como en la presencia de líquidos, gases o polvo inflamables.** Las herramientas eléctricas crean chispas que pueden incendiar el polvo o las emanaciones.
3. **Mantenga a los niños y otras personas alejadas mientras utiliza una herramienta eléctrica.** Las distracciones pueden hacerle perder el control.

SEGURIDAD ELÉCTRICA

4. **Los enchufes de las herramientas eléctricas deben ser del mismo tipo que el tomacorrientes. Nunca realice ningún tipo de modificación en el enchufe. No use enchufes adaptadores con herramientas eléctricas con conexión a tierra.** Se reducirá el riesgo de descarga eléctrica si no se modifican los enchufes y los tomacorrientes son del mismo tipo.
5. **Evite el contacto corporal con superficies con conexión a tierra, como tuberías, radiadores, estufas y refrigeradores.** El riesgo de descarga eléctrica aumenta si su cuerpo está conectado a tierra.
6. **No exponga la herramientas eléctricas a la lluvia o a condiciones de humedad.** El agua que entra en una herramienta eléctrica aumenta el riesgo de descarga eléctrica.

7. **No abuse del cable. Nunca use el cable para transportar la herramienta eléctrica, tirar de ella o desenchufarla. Mantenga el cable alejado del calor, los bordes afilados o las piezas en movimiento.** Los cables dañados o enmarañados aumentan el riesgo de descarga eléctrica.
8. **Cuando se utiliza una herramienta eléctrica en el exterior, use una extensión que sea apropiada para uso en el exterior.** El uso de un cable apropiado para el exterior reduce el riesgo de descarga eléctrica.

SEGURIDAD PERSONAL

9. **Manténgase alerta, ponga cuidado a lo que está haciendo y use el sentido común cuando utilice una herramienta eléctrica. No use una herramienta eléctrica cuando está cansado o bajo la influencia de drogas, alcohol o medicinas.** Despijarse un minuto cuando se utiliza una herramienta eléctrica puede tener como resultado lesiones personales graves.
10. **Use equipo de seguridad. Lleve siempre protección ocular.** Llevar equipo de seguridad apropiado para la situación, como una máscara antipolvo, zapatos de seguridad antideslizantes casco o protección auditiva, reducir á las lesiones personales.
11. **Evite los arranques accidentales. Asegúrese de que el interruptor esté en la posición de apagado antes de enchufar la herramienta.** Mover herramientas con el dedo en el interruptor o enchufar herramientas con el interruptor en la posición de encendido contribuye a que se produzcan accidentes.

12. **Quite todas las llaves de ajuste antes de encender la herramienta.** Una llave que esté acoplada a una pieza giratoria de la herramienta puede provocar lesiones personales.
13. **No se estire demasiado. Mantenga los pies bien asentados y el equilibrio en todo momento.** Esto permite tener mejor control de la herramienta eléctrica en situaciones inesperadas.
14. **Vístase de manera apropiada. No lleve ropa suelta ni joyas. Mantenga el cabello, la ropa y los guantes lejos de la piezas en movimiento.** La ropa floja, las joyas o el cabello largo pueden quedar atrapados en las piezas en movimiento.
15. **Si se proporcionan dispositivos para la conexión de sistemas de recolección y extracción de polvo, asegúrese de que estén conectados y se usen apropiadamente.** El uso de estos dispositivos puede reducir los peligros relacionados con el polvo.

USO Y CUIDADO DE LAS HERRAMIENTAS ELÉCTRICAS

16. **No fuerce la herramienta eléctrica. Use la herramienta eléctrica correcta para la aplicación.** La herramienta eléctrica correcta funcionará mejor y de manera más segura a la velocidad para la que se diseñó.
17. **No use la herramienta eléctrica si el interruptor no la enciende ni la apaga.** Cualquier herramienta eléctrica que no se pueda controlar con el interruptor es peligrosa y se debe reparar.
18. **Desconecte el enchufe de la toma de alimentación y/o la batería de la herramienta eléctrica antes de realizar cualquier ajuste, cambiar accesorios o almacenar las herramientas eléctricas.** Dichas medidas preventivas de seguridad reducen el riesgo de que la herramienta se prenda accidentalmente.
19. **Almacene las herramientas eléctricas fuera del alcance de los niños y no permita que personas no familiarizadas con ellas o estas instrucciones las utilicen.** Las herramientas eléctricas son peligrosas en las manos de usuarios no capacitados.

20. **Mantenimiento de las herramientas eléctricas. Revise que no haya piezas móviles que estén desalineadas o que se atasquen, piezas rotas ni ninguna otra condición que pueda afectar el funcionamiento de la herramienta eléctrica. Si se encuentran daños, haga que le reparen la herramienta antes de usarla.** Las herramientas mal mantenidas son la causa de muchos accidentes.
21. **Mantenga las herramientas de corte limpias y afiladas.** Es menos probable que se atasquen las herramientas de corte con filos afilados que se mantienen de manera apropiada y también son más fáciles de controlar.
22. **Use la herramienta eléctrica, los accesorios y las brocas, etc. siguiendo estas instrucciones y de la manera para la que dicha herramienta eléctrica en particular fue diseñada, teniendo en cuenta las condiciones de trabajo y la tarea que se va a realizar.** El uso de la herramienta eléctrica para operaciones diferentes de aquellas para las que se diseñó podría resultar en una situación peligrosa.

USO Y CUIDADO DE LAS HERRAMIENTAS CON BATERÍA

23. **Asegurarse de que el interruptor esté en la posición apagada antes de colocar la batería.** Colocar la batería en las herramientas eléctricas que tienen el interruptor en la posición de encendido contribuye a que se produzcan accidentes.
24. **Recárguela solamente con el cargador especificado por el fabricante.** Un cargador que sea apropiado para un tipo de batería puede crear riesgo de incendio cuando se use con otra batería.
25. **Use las herramientas eléctricas solamente con baterías específicamente diseñadas.** El uso de cualquier otro tipo de batería puede crear riesgo de lesiones o incendio.
26. **Cuando no se use la batería manténgala alejada de otros objetos de metal como clips para papel, monedas, llaves, clavos, tornillos u otros objetos de metal pequeños que puedan realizar una conexión entre los bornes.** Realizar un cortocircuito en los terminales de la batería puede provocar quemaduras o un incendio.

27. **Bajo condiciones abusivas, puede salir líquido expulsado de la batería; evitar el contacto. Si se produce un contacto accidental, lavar con agua. Si el líquido entra en contacto con los ojos buscar ayuda médica adicional.** El líquido que sale despedido de la batería puede causar irritaciones o quemaduras.

MANTENIMIENTO

28. **Haga que un técnico calificado realice el mantenimiento de la herramienta eléctrica utilizando solamente piezas de repuesto idénticas.** Esto asegurará que se mantiene la seguridad de la herramienta eléctrica.

REGLAS DE SEGURIDAD ESPECÍFICAS

1. PELIGRO:

Mantenga las manos alejadas del área de corte y la cuchilla. Mantenga la otra mano en el mango auxiliar o en el alojamiento del motor. Si ambas manos están sujetando la sierra, la cuchilla no puede cortarlas.

No meta la mano debajo de la pieza en la que se está trabajando. La guarda no lo puede proteger de la cuchilla debajo de la pieza en la que se está trabajando.

Ajuste la profundidad de corte al grosor de la pieza en la que se está trabajando. Por debajo de la pieza en la que se está trabajando se debe ver menos de un diente completo de la cuchilla.

NUNCA sujete la pieza que se está cortando con las manos o sobre las piernas. Asegure la pieza a una plataforma estable. Es importante apoyar la pieza de manera apropiada para reducir al mínimo la exposición del cuerpo, el agarrotamiento de la cuchilla o la pérdida de control.

Agarre la herramienta eléctrica por los asideros aislados cuando realice una operación en la que la herramienta de corte pueda entrar en contacto con cables ocultos o con su propio cable. El contacto con un cable "con corriente" hará que las partes de metal expuesto de la herramienta pasen la corriente y produzcan una descarga al operador.

Cuando se esté serrando al hilo, use siempre una guía de cortar al hilo o una regla. Esto mejora la precisión del corte y reduce la posibilidad de que la cuchilla se atasque.

Use siempre cuchillas con el tamaño y la forma correctos (diamante versus redonda) de los agujeros para el eje. Las cuchillas que no coinciden con la tornillería de montaje de la sierra se moverán excéntricamente, provocando la pérdida de control.

Nunca use arandelas o pernos dañados o incorrectos. Las arandelas y pernos de la cuchilla fueron especialmente diseñados para su sierra, para un rendimiento óptimo y una utilización segura.

2. Causas y prevención por parte del operario del REBOTE:

El REBOTE es una reacción repentina a una cuchilla atascada o mal alineada que hace que una sierra sin controlar se levante y se salga de la pieza en la que se está trabajando hacia el operador.

Cuando la cuchilla está atrapada o atascada porque la entalladura se cierra, la cuchilla se para y la reacción del motor impulsa la unidad rápidamente hacia el operador.

Si la cuchilla se dobla o pierde la alineación en el corte, los dientes en el borde trasero de la cuchilla pueden hundirse en la superficie superior de la madera haciendo que la cuchilla se salga de la entalladura y salte hacia atrás, hacia el operador.

El REBOTE es el resultado de un uso indebido de la sierra o de procedimientos o condiciones de utilización incorrectos, y se puede evitar tomando las precauciones apropiadas que se presentan a continuación:

Agarre la sierra firmemente con ambas manos y coloque los brazos de manera que resistan las fuerzas de rebote. Coloque el cuerpo a cualquiera de los lados de la cuchilla, pero no alineado con ésta. El rebote podría hacer que la sierra salte hacia atrás, pero las fuerzas de rebote pueden ser controladas por el operador si se toman las precauciones apropiadas.

Cuando la cuchilla se está atascando, o cuando se interrumpe el corte por cualquier motivo, suelte el gatillo y mantenga la sierra inmóvil en el material hasta que la sierra se pare por completo. Nunca intente sacar la sierra de la pieza en la que se está trabajando ni tire de ella hacia atrás mientras está en movimiento ya que esto puede provocar el rebote. Investigue y tome las acciones correctivas pertinentes para eliminar la causa del atascamiento de la cuchilla.

Cuando se vuelva a introducir la sierra en la pieza en la que se está trabajando, centre la cuchilla en la entalladura y revise que los dientes de la sierra no estén en contacto con el material. Si la cuchilla de la sierra se atasca, puede moverse hacia atrás o rebotar cuando se vuelve a arrancar la sierra.

Apoye los paneles grandes para minimizar el riesgo de que la cuchilla se atore y rebote. Los paneles grandes tienden a pandearse bajo su propio peso. Se deben colocar soportes debajo del panel a ambos lados, cerca de la línea de corte y cerca del borde del panel.

No usar una cuchilla desafilada o dañada. Las cuchillas sin afilar o mal colocadas producen una entalladura estrecha que provoca una fricción excesiva, atascamiento de la cuchilla y rebote.

Las palancas de bloqueo del ajuste de la profundidad y el bisel de la cuchilla deben estar apretadas y aseguradas antes de realizar el corte. Si el ajuste de la cuchilla cambia mientras

se realiza el corte, esto puede provocar que la cuchilla se atasque y rebote.

Sea extremadamente precavido cuando realice un "corte por penetración" en paredes u otras áreas ciegas. La cuchilla que sobresale puede cortar objetos que pueden provocar el rebote.

3. **Verifique que la guarda inferior esté bien cerrada antes de cada uso. No utilice la sierra si la guarda inferior no se mueve libremente y no se cierra inmediatamente. Nunca amarre o sujete la guarda inferior en la posición abierta.** Si se le cae la sierra accidentalmente, es posible que la guarda inferior se doble. Suba la guarda inferior con su palanca correspondiente y asegúrese de que se mueve libremente y de que no toca la cuchilla ni ninguna otra pieza en todos los ángulos y profundidades de corte.

Revise el funcionamiento del resorte de la guarda inferior. Si la guarda y el resorte no están funcionando correctamente, se deben reparar antes del uso. La guarda inferior puede funcionar lentamente debido a piezas dañadas, depósitos gomosos o acumulación de residuos.

El protector inferior debe retraerse manualmente solamente para cortes especiales como "cortes por penetración" y "cortes compuestos". Suba la guarda inferior usando la palanca correspondiente y, tan pronto como la cuchilla entra en el material, se debe soltar la guarda inferior. Para todas las demás tareas de serrado la guarda inferior debe funcionar automáticamente.

Observe siempre que la guarda inferior esté cubriendo la cuchilla antes de colocar la sierra sobre el banco o el suelo. Una cuchilla funcionando por inercia y sin proteger hará que la sierra avance hacia atrás, cortando lo que sea que se encuentre en su camino. Esté atento al tiempo que tarda la cuchilla en parar después de soltar el interruptor.



4. **Mantenga las etiquetas y las placas identificativas.** Tienen información importante. Si no se pueden leer o si faltan, póngase en contacto con un centro de servicio MILWAUKEE para obtener un repuesto gratuito.

5. **¡ADVERTENCIA!** Ciertos polvos creados al lijar, serrar, esmerilar, perforar y realizar otras actividades de construcción contienen productos químicos que se sabe que causan cáncer, defectos congénitos u otros daños al aparato reproductor. Algunos ejemplos de dichos productos químicos son:

- plomo de pintura con base de plomo
- sílice cristalino de los ladrillos y cemento y de otros productos de mampostería, y
- arsénico y cromo de madera tratada químicamente.

Su riesgo de exposición varía dependiendo de la frecuencia con la que realice este tipo de trabajo. Para reducir su exposición a estos productos químicos: trabaje en un área bien ventilada, y trabaje con equipo de seguridad aprobado, como máscaras antipolvo especialmente diseñadas para filtrar partículas microscópicas.

Simbología

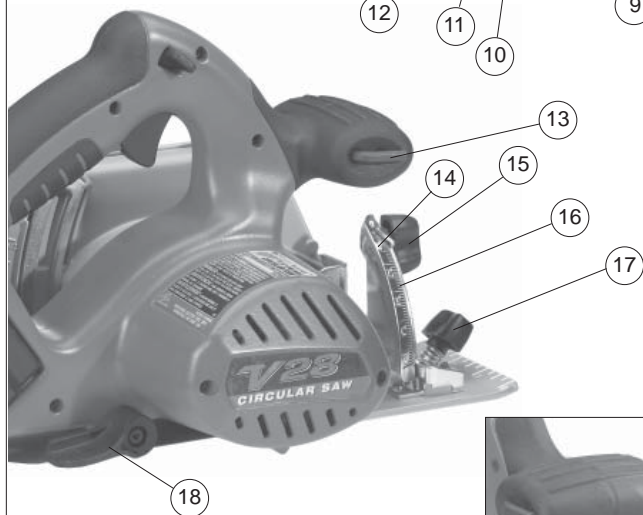
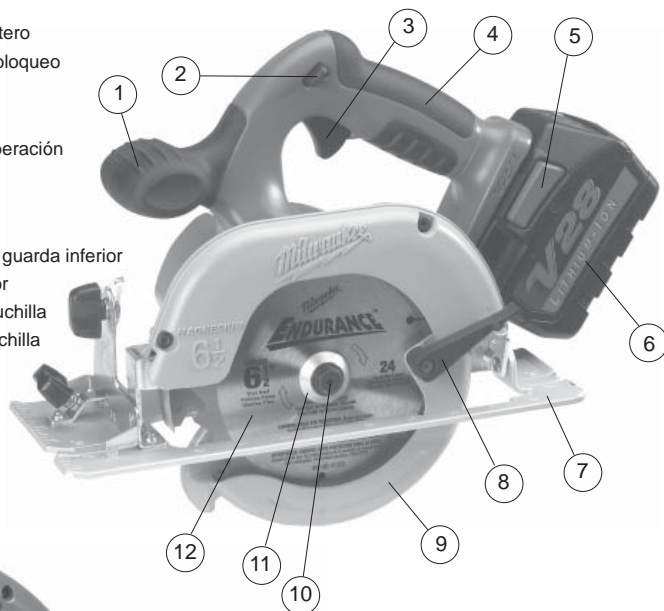
	Volts corriente directa
$n_0 \text{ xxx } \text{min.}^{-1}$	Revoluciones por minuto sin carga (RPM)
	Underwriters Laboratories, Inc., Estados Unidos y Canadá

Especificaciones

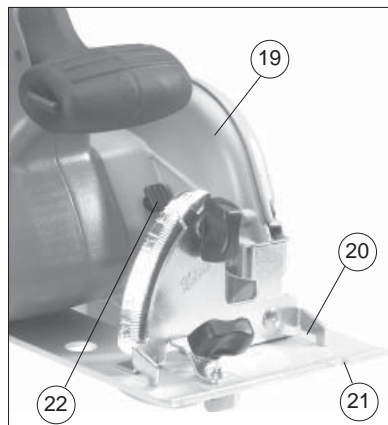
Cat. No.	Volts cd	RPM	Tamaño de la segueta	Eje	Profundidad de corte a 90°	Profundidad de corte a 45°
0730-20	28	4 200	165 mm (6-1/2")	5/8"	0 à 54 mm (0 à 2-1/8")	0 à 40 mm (0 à 1-9/16")

DESCRIPCION FUNCIONAL

1. Asidero delantero
2. Botón de desbloqueo
3. Gatillo
4. Mango
5. Botones de liberación de la batería
6. Batería
7. Zapata
8. Palanca de la guarda inferior
9. Guarda inferior
10. Perno de la cuchilla
11. Brida de la cuchilla
12. Cuchilla



13. Llave
14. Indicador de bisel
15. Perilla de ajuste del bisel
16. Escala de bisel
17. Perilla de ajuste de la guía de cortar al hilo
18. Palanca de ajuste de profundidad



34

MONTAJE DE LA HERRAMIENTA

ADVERTENCIA

Cargue solamente con el cargador especificado para la batería. Para obtener instrucciones específicas de carga, lea el manual del operador que se incluye con el cargador y la batería.

ADVERTENCIA

Para reducir el riesgo de lesiones, quite siempre la batería antes de cambiar o quitar accesorios. Use solamente accesorios específicamente recomendados para esta herramienta. El uso de otros puede resultar peligroso.

Extracción de la batería de la herramienta

Presione los botones de liberación y jale de la batería para sacarla de la herramienta.

Inserción de la batería en la herramienta

Para insertar la batería en la herramienta, deslícela sobre el cuerpo de la herramienta. Asegúrese de que se asegura bien en su



Inserción de una batería

Extracción de una batería

Selección de la cuchilla

Use siempre cuchillas afiladas. Las cuchillas desafiladas tienden a sobrecargar la herramienta y aumentan la posibilidad de REBOTE (consulte "Causas y prevención por parte del operario del REBOTE"). Use solamente cuchillas de corte con una velocidad de funcionamiento seguro máxima

superior a las rpm sin carga que aparecen en la placa identificativa de la herramienta. Lea las instrucciones del fabricante de la cuchilla antes de usarla. No use ningún tipo de rueda de corte abrasivo ni cuchillas de diamante para corte en seco.

Instalación y extracción de las cuchillas

1. QUITE LA BATERÍA ANTES DE INSTALAR O QUITAR LAS CUCHILLAS.
2. Coloque la sierra en una superficie plana con la cuchilla apuntando hacia arriba. Para quitar el perno del vástago, presione su botón de bloqueo. Mientras se mantiene el botón de bloqueo presionado, use la llave que se suministra con la herramienta para girar el perno en sentido horario (Fig. 2). Quite el perno y la brida de la cuchilla.

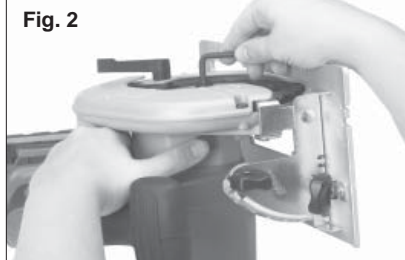
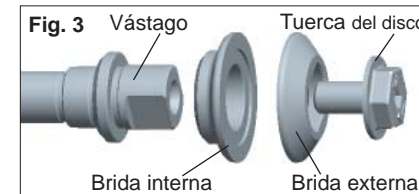


Fig. 2

3. Deslice la palanca de la guarda inferior hacia arriba para subir la guarda inferior. Extraiga la cuchilla del vástago. Limpie siempre el vástago, la guarda superior y la inferior para quitar la suciedad y el aserrín.

NOTA: No retire la brida interna. Le plus grand diamètre de la brida interna doit appuyer sur la lame (Fig. 3).



35

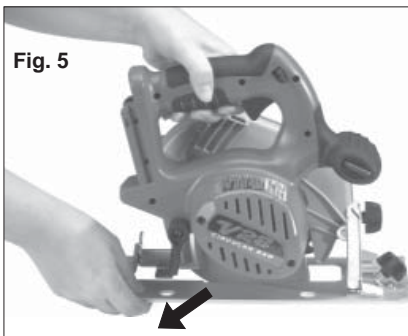
- Para instalar una cuchilla, colóquela en el vástago con los dientes apuntando en la misma dirección que la flecha en la guarda inferior (Fig. 4). Suelte la palanca de la guarda inferior.



- Coloque la brida de la cuchilla en el vástago y apriete el perno con la mano.
- Mientras mantiene presionado el botón de bloqueo del vástago, use la llave para girar el perno en sentido antihorario

Ajuste de la profundidad

- Extraiga la batería
- Para ajustar la profundidad del corte, sujete la sierra por el asidero y afloje la palanca de ajuste de la profundidad empujándola hacia abajo, hacia la zapata (Fig. 5).



- Suba o baje la zapata a la posición deseada. En el lado interior de la guarda superior hay marcas en incrementos de 6 mm (1/4 de pulg.) para el ajuste de profundidad. Para el ajuste de profundidad correcto, la cuchilla no debe extenderse más de 3 a 6 mm (1/8 a 1/4 de pulg) por debajo del material que se está cortando (Fig. 6).



- Suba la palanca de ajuste de profundidad hacia el alojamiento del motor para asegurar la posición de la zapata.

Ajuste del ángulo del bisel

- Extraiga la batería
- Para ajustar el ángulo de corte, sujete la sierra por su asidero y afloje la perilla de ajuste del bisel (Fig. 7).



- Sujete la parte delantera de la zapata y gire la sierra por el asidero hasta alcanzar el ángulo deseado, tal y como lo indican las marcas en la escala del bisel (Fig. 8).

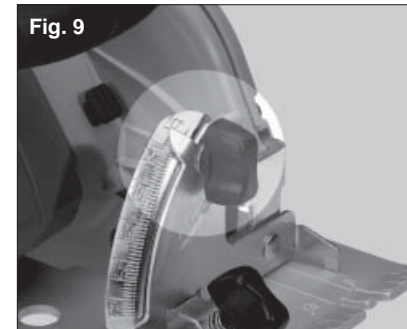


- Apriete la perilla de ajuste del bisel de manera segura.

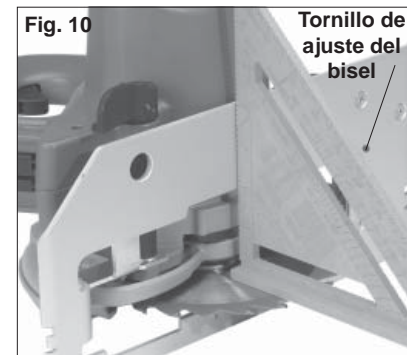
Ajuste de la cuchilla a la zapata

La zapata se ha ajustado en la fábrica a un ángulo de 90 grados. Inspeccione la sierra regularmente para asegurarse de que la cuchilla esté a 90 grados con respecto a la zapata.

- Extraiga la batería
- Coloque el indicador del bisel en cero (Fig. 9).



- Para asegurarse de que la cuchilla esté en un ángulo de 90 grados con respecto a la zapata, coloque la sierra al costado de la cuchilla y retraiga la guarda inferior. Coloque una escuadra contra la cuchilla y la zapata para inspeccionar el ajuste de los grados (Fig. 10).



- Para fijar el ajuste de los grados, afloje la perilla de ajuste del bisel. Gire el tornillo de ajuste del bisel hacia dentro o hacia fuera hasta que la cuchilla forme un ángulo de 90 grados con la zapata.
- Apriete la perilla de ajuste del bisel de manera segura.

FUNCIONAMIENTO

⚠ ADVERTENCIA

Para reducir el riesgo de lesiones, mantenga ambas manos alejadas de la segata y de otras piezas móviles. Lleve siempre lentes de seguridad con protectores laterales. Use solamente accesorios recomendados específicamente. El uso de otros puede resultar peligroso.

Causas y prevención por parte del operador del REBOTE:

El REBOTE es una reacción repentina a una cuchilla atascada o mal alineada que hace que una sierra sin controlar se levante y se salga de la pieza en la que se está trabajando hacia el operador.

Cuando la cuchilla está atrapada o atascada en la entalladura o el corte, la cuchilla se para y la reacción del motor impulsa la unidad rápidamente hacia el operador.

Si la cuchilla se dobla o pierde la alineación en el corte, los dientes en el borde trasero de la cuchilla pueden hundirse en la superficie superior de la madera haciendo que la cuchilla se salga de la entalladura y salte hacia atrás hacia el operador.

El REBOTE es el resultado de un uso indebido de la herramienta o de procedimientos o condiciones de utilización incorrectos, y se puede evitar tomando las precauciones apropiadas que se presentan a continuación:

- Agarre la sierra firmemente con ambas manos y coloque el cuerpo y los brazos de manera que resista las fuerzas de rebote.** Las fuerzas de REBOTE pueden ser controladas por el operador si se toman las precauciones apropiadas.
- Cuando la cuchilla se está astascando, o cuando se interrumpe el corte por cualquier motivo, soltar el gatillo y mantener la sierra inmóvil en el material hasta que la sierra se pare por completo. Nunca intente sacar la sierra de la pieza en la que se está trabajando ni tirar de ella hacia atrás mientras está en movimiento**

- ya que esto puede provocar el **REBOTE**. Investigue y tome las acciones correctivas pertinentes para eliminar la causa del atascamiento de la cuchilla.
3. **Cuando se vuelva a introducir la sierra en la pieza en la que se está trabajando, centre la cuchilla en la entalladura o corte y revise que los dientes de la sierra no estén en contacto con el material.** Si la cuchilla de la sierra se atasca, puede moverse hacia atrás o **REBOTAR** cuando se vuelve a arrancar la sierra.
 4. **Apoye los paneles grandes para minimizar el riesgo de que la cuchilla se atore y REBOTE.** Los paneles grandes tienden a pandearse bajo su propio peso. Se deben colocar soportes debajo del panel a ambos lados, cerca de la línea de corte y cerca del borde del panel.
 5. **No use cuchillas desafiladas o dañadas.** Las cuchillas sin afilar o mal colocadas producen una entalladura estrecha que provoca una fricción excesiva, atascamiento de la cuchilla y **REBOTE**.
 6. **Las palancas de bloqueo del ajuste de la profundidad y el bisel de la cuchilla deben estar apretadas y aseguradas antes de realizar el corte.** Si el ajuste de la cuchilla cambia mientras se realiza el corte, esto puede provocar que la cuchilla se atasque y **REBOTE**.
 7. **Sea extremadamente precavido cuando realice un "corte por penetración" en paredes u otras áreas ciegas.** La cuchilla que sobresale puede cortar objetos que pueden provocar el **REBOTE**.
 8. **Fije la profundidad de corte a no más de 3 a 6 mm (1/8 a 1/4 de pulg). más que el grosor de la pieza.** Cuanto menos expuesta esté la cuchilla, menor será la posibilidad de que se atasque y **REBOTE**. Antes de cortar, asegúrese de que los ajustes de profundidad y bisel estén apretados.

9. **Tenga cuidado al trabajar con material resinoso, con nudos, húmedo o pandeado.** Estos son los materiales que con mayor probabilidad crearán condiciones de atoramiento y posibilidad de **REBOTE**. No corte al hilo madera pandeada. Evite cortar clavos.
10. **Use una guía para corte al hilo o una regla cuando corte al hilo.** Las guías mejoran el control y reducen el atascamiento de la cuchilla.
11. **Permanezca alerta.** Cualquier distracción puede provocar que la cuchilla se doble o se atasque. Los cortes repetitivos pueden hacer que el usuario realice movimientos descuidados.

Funcionamiento general

Sujete siempre la pieza en la que se está trabajando de manera segura en un caballete o banco de aserrar (Fig. 11). Consultar "APLICACIONES" para averiguar la manera correcta de colocar la pieza en la que se está trabajando en diferentes situaciones.



1. Trace una línea de corte. Coloque la parte delantera de la zapata en el borde de la pieza sin que la cuchilla la toque. Sujete el asidero con una mano y el asidero delantero con la otra (Fig. 12).



2. Alinee la línea indicadora con la línea de corte. Coloque los brazos y el cuerpo de manera que pueda resistir el **REBOTE**.
3. Para arrancar la sierra, presione el botón de desbloqueo al mismo tiempo que presiona el gatillo. Deje que el motor alcance la velocidad máxima antes de empezar a cortar.
4. Mientras corta, mantenga la zapata plana contra la pieza en la que se está trabajando y la sierra bien agarrada. No fuerce la sierra contra la pieza en la que se está trabajando. Esto puede hacer que la sierra **REBOTE**.
5. Si se está realizando un corte parcial, reiniciando un corte que se dejó a medias o corrigiendo la dirección, deje que la cuchilla se pare por completo. Para reiniciar el corte, centre la cuchilla en la entalladura, retroceda la sierra unas cuantas pulgadas del borde de corte, presione el botón de desbloqueo mientras aprieta el gatillo y vuelva a penetrar lentamente en el corte.
6. Si la sierra se atasca o se para, manténgala bien agarrada y suelte el gatillo inmediatamente. Sujete la sierra sin que se mueva en la pieza hasta que la cuchilla se detenga por completo.
7. Después de terminar el corte, asegúrese de que se cierra la guarda inferior y la cuchilla se detiene por completo antes de soltar la sierra.

Freno eléctrico

El freno eléctrico se activa cuando se suelta el gatillo, haciendo que la segueta se pare y permitiéndole continuar con la tarea. Generalmente, la segueta se para en dos segundos. Sin embargo, puede que haya un retraso entre el momento que suelta el gatillo y cuando se activa el freno. Ocasionalmente el freno puede que se salte completamente. Si el freno se salta con frecuencia, la segueta necesita servicio de un centro de mantenimiento autorizado **MILWAUKEE**. El freno no es un sustituto de la guarda, y siempre debe esperar hasta que la cuchilla se detenga completamente antes de sacar la sierra de la pieza.

Funcionamiento en clima frío

La batería de iones de litio **V28™** se puede usar en temperaturas de hasta -20°C (-4°F). Cuando la batería está muy fría, puede pulsar durante el primer minuto de uso para calentarse. Coloque la batería en una herramienta y use la herramienta para una tarea ligera. Después de aproximadamente un minuto, la batería estará caliente y funcionará normalmente.

Resolución de problemas

Si la cuchilla no sigue una línea recta:

- Los dientes están desafilados. Esto se produce al golpear un objeto duro como un clavo o una piedra, desafilando los dientes de un lado. La cuchilla tiende a cortar hacia el lado con los dientes más afilados.
- La zapata está desalineada o doblada
- La cuchilla está doblada
- No se está usando una guía para cortar al hilo o una guía

Si la cuchilla se atasca, echa humo o se pone azul por la fricción:

- La cuchilla está desafilada
- La cuchilla está al revés
- La cuchilla está doblada
- La cuchilla está sucia
- La pieza en la que se está trabajando no está bien sujeta
- Se está usando la cuchilla incorrecta

APLICACIONES

Corte de paneles grandes

Los paneles grandes y las tablas largas se pandean o doblan si no se apoyan correctamente. Si se intenta cortar sin nivelar y apoyar correctamente la pieza, la cuchilla tenderá a atascarse, provocando REBOTE.

Apoye los paneles grandes. Asegúrese de fijar la profundidad de corte de modo que solamente corte a través de la pieza, no a través de los soportes.



Corte de madera al hilo

Cortar al hilo es cortar en la dirección de la veta de la madera. Seleccione la cuchilla apropiada para su tarea. Use una guía para corte al hilo para cortes de 100 mm (4 pulg.) de ancho o menos. Para instalar la guía para corte al hilo en cualquier lado de la zapata, deslice la barra a través de la guía para corte al hilo en cualquier lado de la zapata. El ancho del corte es la distancia desde el interior de la cuchilla hasta el borde interior de la guía de corte al hilo. Ajuste la guía para corte al hilo para el ancho deseado y bloquee el ajuste apretando la perilla de ajuste de la guía para corte al hilo.

Cuando el ancho de corte al hilo es mayor de 100 mm (4 pulg.), sujete con una abrazadera o clave un pedazo de madera de 25 mm (1 pulg.) a la pieza y use el borde interior de la zapata como guía.

Corte de madera a contrahilo

El corte a contrahilo es un corte perpendicular a la veta de la madera. Seleccione la cuchilla apropiada para su tarea. Avance la sierra lentamente para evitar que la madera se astille.



ADVERTENCIA

Para reducir el riesgo de descarga eléctrica, revise el área de trabajo en busca de tuberías o cables ocultos antes de realizar cortes por penetración.

Corte por penetración

Los cortes por penetración se realizan en medio de la pieza en la que se está trabajando cuando no se puede cortar desde un borde. Recomendamos el uso de una sierra alternativa o una sierra perforadora Sawzall® para este tipo de corte. Sin embargo, si tiene que usar una sierra circular para realizar un corte por penetración, TENGA MUCHO CUIDADO. Para mantener el control de la sierra durante el corte por perforación, mantenga ambas manos en la sierra.

1. Comenzando en una esquina, alinee la línea indicadora con la de corte. Incline la sierra hacia delante, fijando firmemente la parte delantera de la zapata en la pieza en la que se está trabajando (Fig. 14). La cuchilla debe quedar justo sobre la línea de corte, pero sin tocarla. Suba la guarda inferior usando la palanca de la guarda inferior.



2. Para arrancar la sierra, presione el botón de desbloqueo al mismo tiempo que se presiona el gatillo. Deje que el motor alcance la velocidad máxima antes de empezar a cortar. Usando la parte delantera de la zapata como punto de apoyo, baje gradualmente la parte posterior de la sierra a la pieza en la que se está trabajando (Fig. 15). Suelte la palanca de la guarda inferior y agarre el asidero delantero.



3. Cuando la zapata descansa contra la pieza, avance la sierra hacia la esquina más alejada (Fig. 16). Suelte el gatillo y deje que la cuchilla se detenga por completo antes de sacarla de la pieza. Repetir los pasos anteriores para cada lado de la abertura. Use una sierra alternativa, una sierra de perforación o una sierra de mano pequeña Sawzall® para rematar las esquinas si no se han cortado completamente.



MANTENIMIENTO



ADVERTENCIA

Para reducir el riesgo de lesiones personales, desenchufe siempre el cargador y quite la batería del mismo o de la herramienta antes de realizar mantenimiento. Nunca desmonte la herramienta, la batería o el cargador. Póngase en contacto con un centro de reparaciones **MILWAUKEE** para **TODAS** las reparaciones.

Mantenimiento de la herramienta

Mantenga la herramienta, la batería y el cargador en buenas condiciones siguiendo el programa de mantenimiento regular. Después de entre seis meses y un año, dependiendo del uso, lleve la herramienta, batería y cargador a un centro de reparaciones **MILWAUKEE** para:

- Lubricación
- Inspección y reemplazo de las escobillas
- Inspección mecánica y limpieza (engranajes, ejes, cojinetes, alojamiento, etc.)
- Inspección eléctrica (batería, cargador, motor)
- Pruebas para asegurar el funcionamiento mecánico y eléctrico apropiado

Si la herramienta no enciende ni funciona al máximo de potencia con una batería completamente cargada, limpiar los contactos de la batería. Si la herramienta aún no funciona apropiadamente, lleve la herramienta, el cargador y la batería a un centro de reparaciones **MILWAUKEE** para que la reparen.



ADVERTENCIA

Para reducir el riesgo de lesiones personales y daños, nunca sumerja la herramienta, la batería o el cargador en un líquido ni permita que les entre líquido.

Limpieza

Limpiar el polvo y los residuos de las rejillas de ventilación y los contactos eléctricos con aire comprimido. Mantenga los asideros de la herramienta limpios, secos y sin aceite o grasa. Use solamente un jabón suave y un paño húmedo para limpiar la herramienta, la batería y el cargador, manteniéndolos alejados de todos los contactos eléctricos. Ciertos agentes limpiadores y disolventes son perjudiciales para los plásticos y para otras piezas aisladas. Algunos de estos son la gasolina, turpentina, decapante para laca, decapante para pintura, soluciones limpiadoras con cloro, amoníaco y detergentes para la casa que contengan amoníaco. Nunca use disolventes inflamables o combustibles cerca de las herramientas.

Reparaciones

Para las reparaciones, lleve la herramienta, la batería y el cargador al centro de reparaciones autorizado más cercano.

ACCESORIOS



ADVERTENCIA

Quite siempre la batería antes de cambiar o quitar accesorios. Use solamente accesorios específicamente recomendados para esta herramienta. El uso de otros puede resultar peligroso.

Para recibir una lista completa de accesorios, consulte su catálogo de herramientas eléctricas **MILWAUKEE** o vaya a www.milwaukeetool.com en Internet. Para obtener un catálogo, póngase en contacto con su distribuidor local o con un centro de reparaciones.

GARANTÍA LIMITADA DE CINCO AÑOS

Cada herramienta eléctrica **MILWAUKEE** (incluyendo el cargador de batería) está garantizada sólo al comprador original de estar libre de defectos en el material y la mano de obra. Sujeto a ciertas excepciones, **MILWAUKEE** reparará o reemplazará por un período de cinco (5) años* después de la fecha de compra cualquier pieza en una herramienta eléctrica que, después de haber sido examinada, **MILWAUKEE** determine que está defectuosa en el material o la mano de obra. Regrese la herramienta eléctrica y una copia de la prueba de compra a un concesionario de soporte de ventas/servicio de fábrica **MILWAUKEE** o a una estación de servicio autorizada **MILWAUKEE**. Para que esta garantía sea efectiva, se requiere el flete pagado por anticipado y el seguro. Esta garantía no aplica a los daños que **MILWAUKEE** determine sean ocasionados por reparaciones o intentos de reparación por cualquier otro que personal autorizado por **MILWAUKEE**, uso indebido, alteraciones, abuso, desgaste y deterioro normal, falta de mantenimiento o accidentes.

* El período de garantía para Montacargas (de palanca, de cadena de mano y de cadena eléctrica), baterías de Ni-Cd, linternas de trabajo (inalámbricas), radios Job Site, y carros para trabajo industrial Trade Titans™ es de un (1) año a partir de la fecha de compra.

*Hay una garantía separada para las baterías de iones de litio que acompañan las herramientas eléctricas:

*Cada batería de iones de litio de **MILWAUKEE** está cubierta con una garantía de reemplazo gratuito por las primeras 1000 cargas/2 años. Esto significa que por lo que suceda primero, las primeras 1000 cargas o dos (2) años de la fecha de compra/primer carga, se proporcionará sin cargo al cliente, una batería de reemplazo por cualquier batería defectuosa. A partir de entonces, los clientes recibirán una garantía adicional en una base proporcional que puede ser hasta de las primeras 2000 cargas o cinco (5) años de la fecha de compra/primer carga, lo que suceda primero. Esto significa que cada cliente obtiene una garantía proporcional de 1000 cargas o tres (3) años adicionales en la batería de iones de litio, dependiendo de la cantidad de uso. Durante este período adicional de garantía, el cliente paga por sólo el servicio utilizable recibido durante y superior a las primeras 1000 cargas/2 años, en base de la fecha de la primer carga y número de cargas encontrados en la batería a través del lector de servicio de **MILWAUKEE**. Se carga una cantidad proporcionalmente por el servicio presentado al cliente, después de 1000 cargas/2 años de la fecha de compra/primer carga.

El registro de la garantía no es necesario para obtener la garantía aplicable en un producto **MILWAUKEE**. Sin embargo, se requiere un recibo de compras u otra información similar que **MILWAUKEE** considere suficiente.

LA ACEPTACIÓN DE LOS REMEDIOS EXCLUSIVOS DE REPARACIÓN Y REEMPLAZO AQUÍ DESCRITOS ES UNA CONDICIÓN DEL CONTRATO EN LA COMPRA DE CADA PRODUCTO **MILWAUKEE**. SI NO ESTÁ DE ACUERDO CON ESTA CONDICIÓN, NO DEBERÍA COMPRAR ESTE PRODUCTO. EN NINGÚN CASO **MILWAUKEE** SERÁ RESPONSABLE POR CUALESQUIER DAÑO PUNITIVO, CONSECUENTE, ESPECIAL, INCIDENTAL O POR CUALESQUIER COSTO, HONORARIOS DE ABOGADO, GASTOS, PÉRDIDAS O RETRASOS QUE SE ARGUMENTE QUE SEAN UNA CONSECUENCIA DE CUALQUIER DAÑO A, FALLA DE, O DEFECTO EN CUALQUIER PRODUCTO, INCLUYENDO, PERO SIN LIMITARSE A, CUALQUIER RECLAMO POR PÉRDIDAS DE GANANCIAS. ESTA GARANTÍA ES EXCLUSIVA Y REEMPLAZA TODAS LAS DEMÁS GARANTÍAS O CONDICIONES, ORALES O ESCRITAS, EXPRESAS O IMPLÍCITAS. SIN LIMITAR LA GENERALIDAD DE LO ANTERIOR, **MILWAUKEE** RENUNCIA A TODA GARANTÍA IMPLÍCITA DE COMERCIABILIDAD O APTITUD PARA UN FIN O USO ESPECÍFICO Y DEMÁS GARANTÍAS.

Esta garantía es válida solamente en el producto vendido en los Estados Unidos, México y Canadá.

Consulte la página Web de **MILWAUKEE** www.milwaukeetool.com o llame al 1.800.SAWDUST (1.800.729.3878) para localizar su técnico de servicio más cercano para el servicio con o sin garantía en una herramienta eléctrica **MILWAUKEE**.

UNITED STATES - MILWAUKEE Service

MILWAUKEE prides itself in producing a premium quality product that is NOTHING BUT HEAVY DUTY®. Your satisfaction with our products is very important to us!

If you encounter any problems with the operation of this tool, or you would like to locate the *factory Service/Sales Support Branch* or *authorized service station*

nearest you, please call...

1-800-SAWDUST

(1.800.729.3878)

NATIONWIDE TOLL FREE

Monday-Friday • 8:00 AM - 4:30 PM • Central Time

or visit our website at

www.milwaukeetool.com

For service information, use the 'Service Center Search' icon found in the 'Parts & Service' section.

Additionally, we have a nationwide network of *authorized* Distributors ready to assist you with your tool and accessory needs. Check your "Yellow Pages" phone directory under "Tools-Electric" for the names & addresses of those nearest you or see the 'Where To Buy' section of our website.

Corporate After Sales Service - Technical Support

Brookfield, Wisconsin USA

•Technical Questions •Service/Repair Questions •Warranty

1-800-SAWDUST

(1.800.729.3878) fax: 1.800.638.9582

email: metproductsupport@milwaukeetool.com

Monday-Friday • 8:00 AM - 4:30 PM • Central Time

Canada - Service MILWAUKEE

MILWAUKEE est fier de proposer un produit de première qualité NOTHING BUT HEAVY DUTY®. Votre satisfaction est ce qui compte le plus!

En cas de problèmes d'utilisation de l'outil ou pour localiser le centre de service/ventes ou le *centre d'entretien* le plus proche, appelez le...

416.439.4181

fax: 416.439.6210

Milwaukee Electric Tool (Canada) Ltd

755 Progress Avenue

Scarborough, Ontario M1H 2W7

Notre réseau national de distributeurs *agréés* se tient à votre disposition pour fournir l'aide technique, l'outillage et les accessoires nécessaires. Composez le 416.439.4181 pour obtenir les noms et adresses des revendeurs les plus proches ou bien consultez la section «Où acheter» sur notre site web à l'adresse

www.milwaukeetool.com

MEXICO - Soporte de Servicio MILWAUKEE

Milwaukee Electric Tool, S.A. de C.V.

Blvd. Abraham Lincoln no. 13

Colonia Los Reyes Zona Industrial

Tlalnepanitla, Edo. México C.P. 54073

Tel. (55) 5565-1414 Fax: (55) 5565-6874

Adicionalmente, tenemos una red nacional de distribuidores *autorizados* listos para ayudarle con su herramienta y sus accesorios. Por favor, llame al (55) 5565-1414 para obtener los nombres y direcciones de los más cercanos a usted, o consulte la sección 'Where to buy' (Dónde comprar) de nuestro sitio web en

www.milwaukeetool.com

MILWAUKEE ELECTRIC TOOL CORPORATION

13135 West Lisbon Road • Brookfield, Wisconsin, U.S.A. 53005

Free Manuals Download Website

<http://myh66.com>

<http://usermanuals.us>

<http://www.somanuals.com>

<http://www.4manuals.cc>

<http://www.manual-lib.com>

<http://www.404manual.com>

<http://www.luxmanual.com>

<http://aubethermostatmanual.com>

Golf course search by state

<http://golfingnear.com>

Email search by domain

<http://emailbydomain.com>

Auto manuals search

<http://auto.somanuals.com>

TV manuals search

<http://tv.somanuals.com>