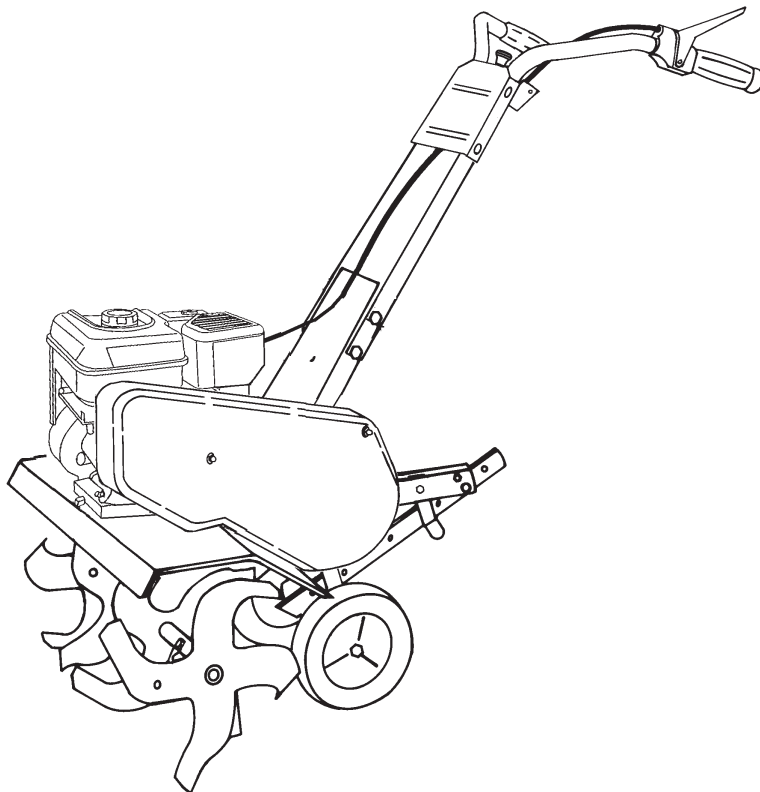


Poulan PRO



OPERATOR'S MANUAL

MODEL:

HDF825X

FRONT TINE TILLER



WARNING:

Read this Manual and follow all Warnings and Safety Instructions. Failure to do so can result in serious injury.

ALWAYS WEAR EYE PROTECTION DURING OPERATION

Visit our website: www.poulan-pro.com

SAFETY RULES



Safe Operation Practices for Walk-Behind Powered Rotary Tillers



TRAINING

- Read the Owner's Manual carefully. Be thoroughly familiar with the controls and the proper use of the equipment. Know how to stop the unit and disengage the controls quickly.
- Never allow children to operate the equipment. Never allow adults to operate the equipment without proper instruction.
- Keep the area of operation clear of all persons, particularly small children, and pets.

PREPARATION

- Thoroughly inspect the area where the equipment is to be used and remove all foreign objects.
- Disengage all clutches and shift into neutral before starting the engine (motor).
- Do not operate the equipment without wearing adequate outer garments. Wear footwear that will improve footing on slippery surfaces.
- Handle fuel with care; it is highly flammable.
- Use an approved fuel container.
- Never add fuel to a running engine or hot engine.
- Fill fuel tank outdoors with extreme care. Never fill fuel tank indoors.
- Replace gasoline cap securely and clean up spilled fuel before restarting.
- Use extension cords and receptacles as specified by the manufacturer for all units with electric drive motors or electric starting motors.
- Never attempt to make any adjustments while the engine (motor) is running (except where specifically recommended by manufacturer).

OPERATION

- Do not put hands or feet near or under rotating parts.
- Exercise extreme caution when operating on or crossing gravel drives, walks, or roads. Stay alert for hidden hazards or traffic. Do not carry passengers.
- After striking a foreign object, stop the engine (motor), remove the wire from the spark plug, thoroughly inspect the tiller for any damage, and repair the damage before restarting and operating the tiller.
- Exercise caution to avoid slipping or falling.
- If the unit should start to vibrate abnormally, stop the engine (motor) and check immediately for the cause. Vibration is generally a warning of trouble.
- Stop the engine (motor) when leaving the operating position.
- Take all possible precautions when leaving the machine unattended. Disengage the tines, shift into neutral, and stop the engine.
- Before cleaning, repairing, or inspecting, shut off the engine and make certain all moving parts have stopped. Disconnect the spark plug wire, and keep the wire away from the plug to prevent accidental starting. Disconnect the cord on electric motors.
- Do not run the engine indoors; exhaust fumes are dangerous.
- Never operate the tiller without proper guards, plates, or other safety protective devices in place.

- Keep children and pets away.
- Do not overload the machine capacity by attempting to till too deep at too fast a rate.
- Never operate the machine at high speeds on slippery surfaces. Look behind and use care when backing.
- Never allow bystanders near the unit.
- Use only attachments and accessories approved by the manufacturer of the tiller.
- Never operate the tiller without good visibility or light.
- Be careful when tilling in hard ground. The tines may catch in the ground and propel the tiller forward. If this occurs, let go of the handlebars and do not restrain the machine.

MAINTENANCE AND STORAGE

- Keep machine, attachments, and accessories in safe working condition.
- Check shear pins, engine mounting bolts, and other bolts at frequent intervals for proper tightness to be sure the equipment is in safe working condition.
- Never store the machine with fuel in the fuel tank inside a building where ignition sources are present, such as hot water and space heaters, clothes dryers, and the like. Allow the engine to cool before storing in any enclosure.
- Always refer to the operator's guide instructions for important details if the tiller is to be stored for an extended period.

- IMPORTANT -

CAUTIONS, IMPORTANTS, AND NOTES ARE A MEANS OF ATTRACTING ATTENTION TO IMPORTANT OR CRITICAL INFORMATION IN THIS MANUAL.

IMPORTANT: USED TO ALERT YOU THAT THERE IS A POSSIBILITY OF DAMAGING THIS EQUIPMENT.

NOTE: Gives essential information that will aid you to better understand, incorporate, or execute a particular set of instructions.



Look for this symbol to point out important safety precautions. It means CAUTION!!! BECOME ALERT!!! YOUR SAFETY IS INVOLVED.



CAUTION: Always disconnect spark plug wire and place wire where it cannot contact spark plug in order to prevent accidental starting when setting up, transporting, adjusting or making repairs.



WARNING



The engine exhaust from this product contains chemicals known to the State of California to cause cancer, birth defects, or other reproductive harm.

PRODUCT SPECIFICATIONS

Gasoline Capacity:	3 Quarts (2.8L) Unleaded Regular
Oil (API-SG-SL): (Capacity: 20 oz./0.6L)	SAE 30 (Above 32°F/0°C) SAE 5w-30(Below 32°F/0°C)
Spark Plug: (Gap: .030"/0.76mm)	Champion RC12YC

CONGRATULATIONS on your purchase of a new tiller. It has been designed, engineered and manufactured to give you the best possible dependability and performance.

Should you experience any problems you cannot easily remedy, please contact your nearest authorized service center. We have competent, well-trained technicians and the proper tools to service or repair this unit.

Please read and retain this manual. The instructions will enable you to assemble and maintain your tiller properly. Always observe the "SAFETY RULES".

CUSTOMER RESPONSIBILITIES

- Read and observe the safety rules.
- Follow a regular schedule in maintaining, caring for and using your tiller.
- Follow instructions under "Maintenance" and "Storage" sections of this Manual.

IMPORTANT: THIS UNIT IS EQUIPPED WITH AN INTERNAL COMBUSTION ENGINE AND SHOULD NOT BE USED ON OR NEAR ANY UNIMPROVED FOREST-COVERED, BRUSH-COVERED OR GRASS COVERED LAND UNLESS THE ENGINE'S EXHAUST SYSTEM IS EQUIPPED WITH A SPARK ARRESTER MEETING APPLICABLE LOCAL LAWS (IF ANY). IF A SPARK ARRESTER IS USED, IT SHOULD BE MAINTAINED IN EFFECTIVE WORKING ORDER BY THE OPERATOR.

IN THE STATE OF CALIFORNIA, A SPARK ARRESTER IS REQUIRED BY LAW (SECTION 4442 OF THE CALIFORNIA PUBLIC RESOURCES CODE). OTHER STATES MAY HAVE SIMILAR LAWS. FEDERAL LAWS APPLY ON FEDERAL LANDS. SEE YOUR AUTHORIZED SERVICE CENTER/DEPARTMENT FOR SPARK ARRESTER.

TABLE OF CONTENTS

SAFETY RULES	2	MAINTENANCE	10-12
PRODUCT SPECIFICATIONS	3	SERVICE & ADJUSTMENTS	12-14
CUSTOMER RESPONSIBILITIES	3	STORAGE	15
ASSEMBLY	4-5	TROUBLESHOOTING	16
OPERATION	6-9	WARRANTY	17
MAINTENANCE SCHEDULE	10		

ASSEMBLY

Your new tiller has been assembled at the factory with exception of those parts left unassembled for shipping purposes. To ensure safe and proper operation of your tiller all parts and hardware you assemble must be tightened securely. Use the correct tools as necessary to insure proper tightness.

TOOLS REQUIRED FOR ASSEMBLY

A socket wrench set will make assembly easier. Standard wrench sizes are listed.

- (1) Utility knife
- (1) Screwdriver
- (2) 1/2" wrenches

OPERATOR'S POSITION (See Fig. 1)

When right or left hand is mentioned in this manual, it means when you are in the operating position (standing behind tiller handles).

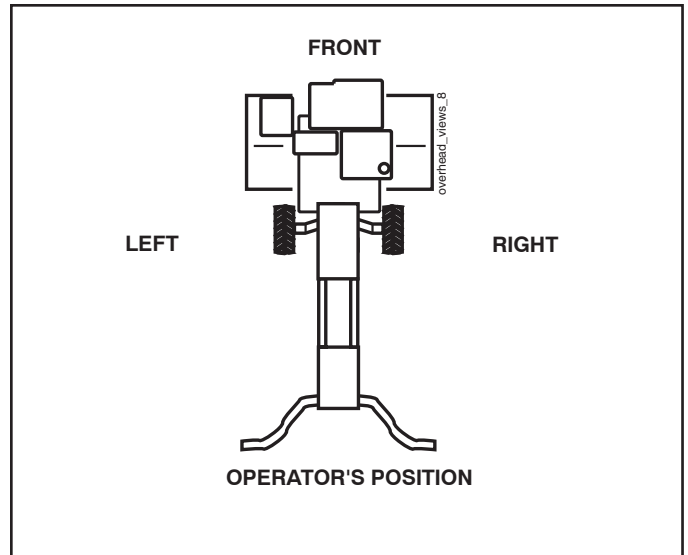
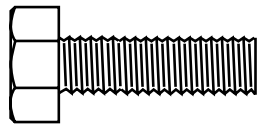
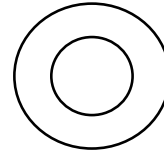


FIG. 1

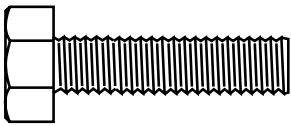
CONTENTS OF HARDWARE PACK



(2) Hex Bolts 5/16-18 x 1



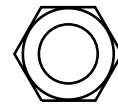
(4) Washers 3/8 x 7/8 x 14



(4) Hex Bolts 5/16-18 x 1-1/4



(6) Lock Washers 5/16



(6) Hex Nuts 5/16-18

ASSEMBLY

UNPACK CARTON & INSTALL HANDLE (See Fig. 2)



CAUTION: Be careful of exposed staples when handling or disposing of cartoning material.

IMPORTANT: WHEN UNPACKING AND ASSEMBLING TILLER, BE CAREFUL NOT TO STRETCH OR KINK CABLE(S).

- Cut cable ties securing handles.
- Slowly lift handle assembly up, route cable(s) as shown and align handle holes with handle panel hole and slot.
- Loosely assemble hardware as shown. Be sure the shorter (1" long) hex bolt is assembled in lower hole of handle. Repeat for opposite side. Tighten all hardware securely.
- Cut cable ties securing tiller to skid and remove tiller from skid.
- Remove screws securing depth stake to skid and discard the screws.

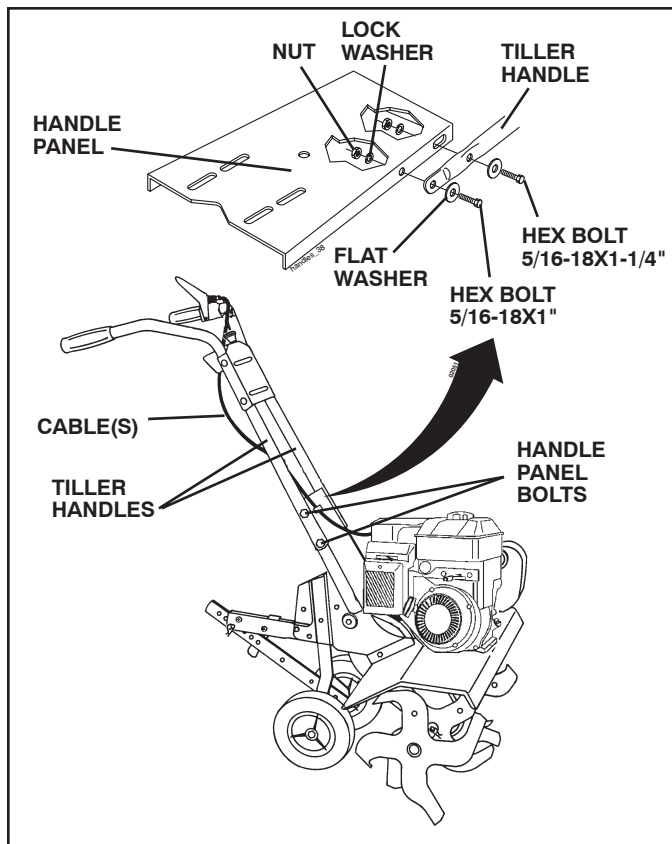


FIG. 2

INSTALL DEPTH STAKE ASSEMBLY (See Fig. 3)

- Loosen nut "A".
- Insert stake support between engine bracket halves with stake spring down.
- Bolt stake support to engine brackets with bolts, lock washers and nuts. Tighten securely. Tighten nut "A".
- Depth stake must move freely. If it does not, loosen support bolt.

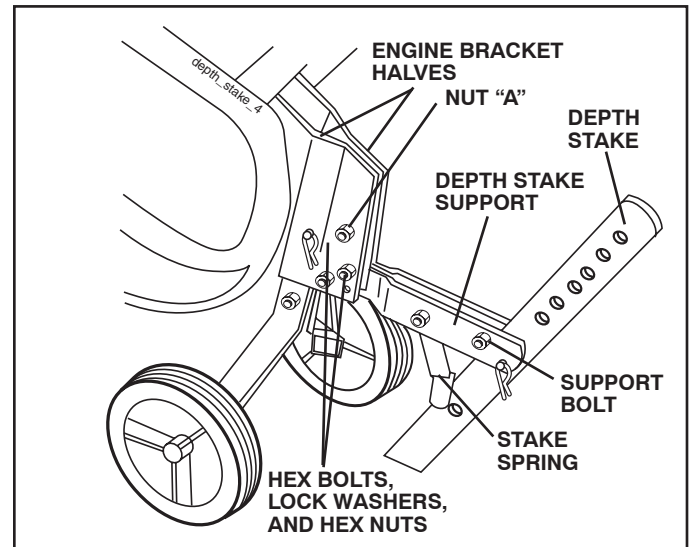


FIG. 3

HANDLE HEIGHT

- Handle height may be adjusted to better suit operator. (See "HANDLE HEIGHT" in the Service and Adjustments section of this manual).

TILLING WIDTH

- Tilling width may be adjusted to better handle your tilling conditions (See "TINE ARRANGEMENT" in the Service and Adjustments section of this manual).

TINE OPERATION

- Check tine operation before first use. (See "TINE OPERATION CHECK" in the Service and Adjustments section of this manual).

OPERATION

KNOW YOUR TILLER

READ THIS MANUAL AND SAFETY RULES BEFORE OPERATING YOUR TILLER.

Compare the illustrations with your tiller to familiarize yourself with the location of various controls and adjustments. Save this manual for future reference.

These symbols may appear on your Tiller or in literature supplied with the product. Learn and understand their meaning.

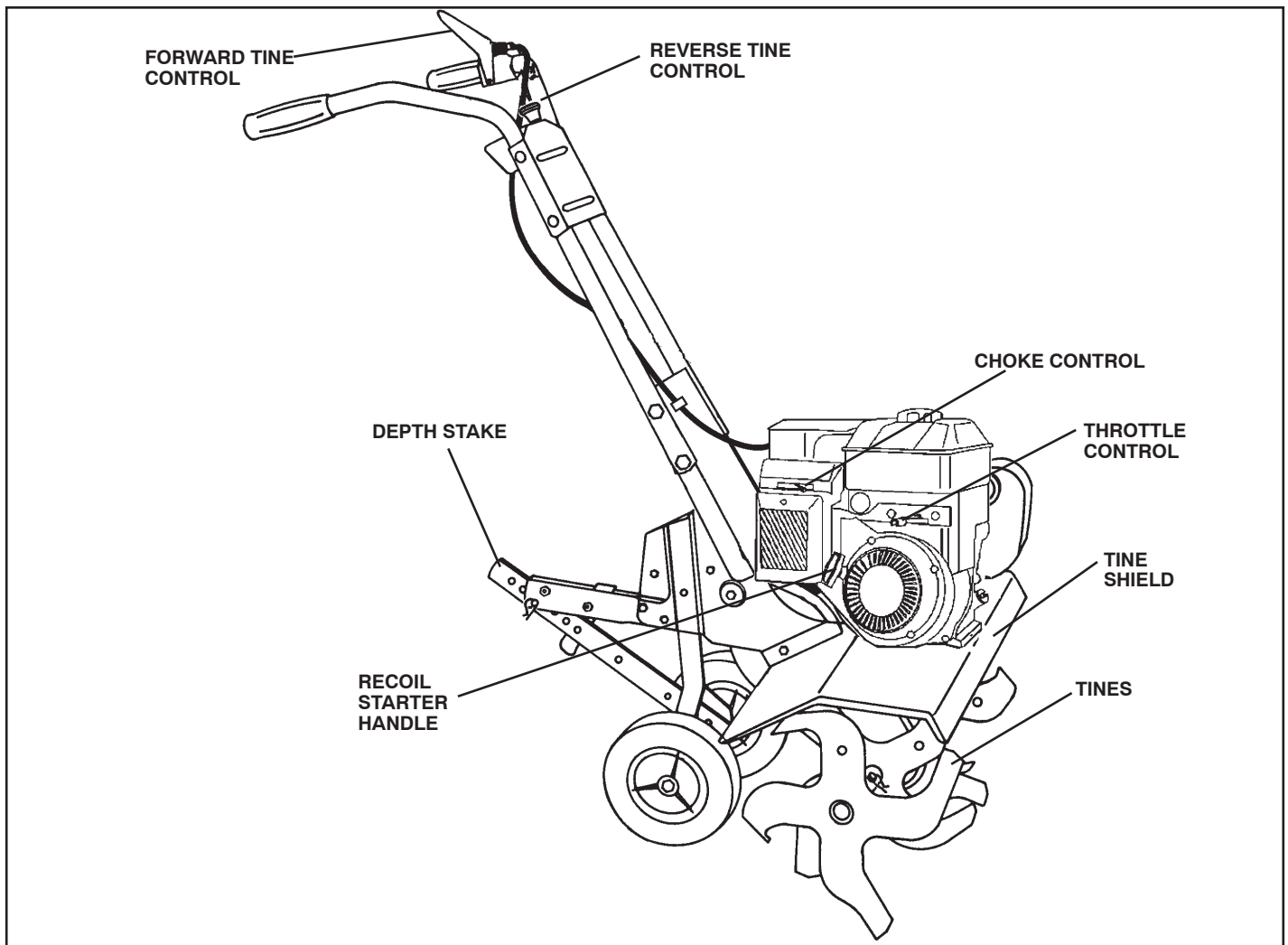
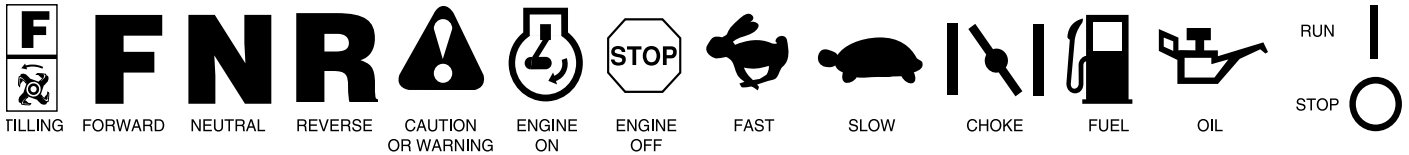


FIG. 4

MEETS ANSI SAFETY REQUIREMENTS

Our tillers conform to the safety standards of the American National Standards Institute.

CHOKE CONTROL - Used when starting a cold engine.

DEPTH STAKE - Controls forward speed and the depth at which the tiller will dig.

FORWARD TINE CONTROL - Engages tines in forward direction.

REVERSE TINE CONTROL - Engages tines in reverse direction.
RECOIL STARTER HANDLE - Used to start the engine.

THROTTLE CONTROL - Controls engine speed.

OPERATION



The operation of any tiller can result in foreign objects thrown into the eyes, which can result in severe eye damage. Always wear safety glasses or eye shields before starting your tiller and while tilling. We recommend a wide vision safety mask for over spectacles or standard safety glasses.

HOW TO USE YOUR TILLER

Know how to operate all controls before adding fuel and oil or attempting to start engine.

STOPPING (See Fig. 5)

TINES

- Release forward tine control to stop forward movement.
- Release reverse tine control to stop reverse movement.

ENGINE

- Move throttle control to "STOP" position.
- Never use choke to stop engine.

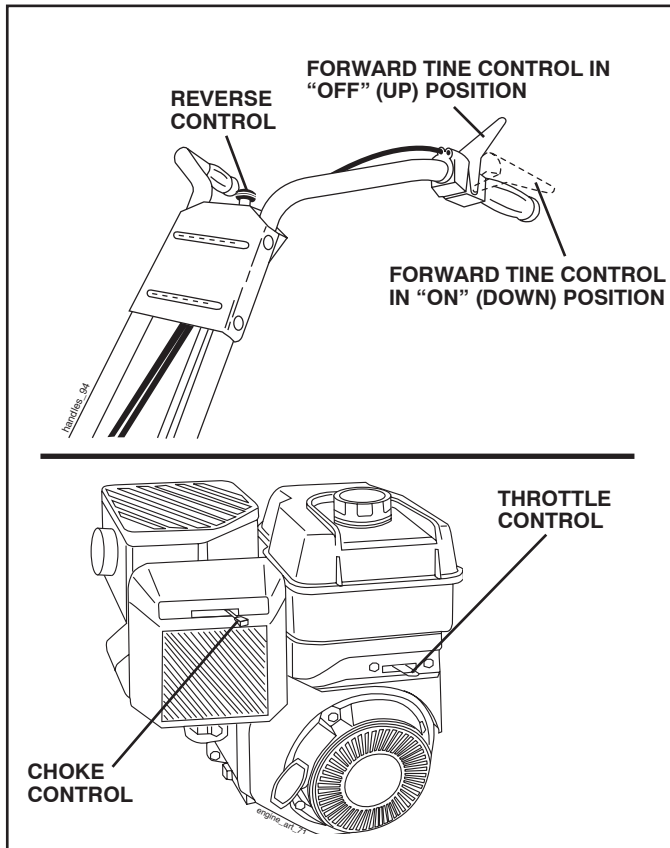


FIG. 5

TINE OPERATION (See Fig. 5)

FORWARD

- Squeeze forward tine control to handle.

REVERSE

- With forward tine control "OFF" (up) position, pull back and hold reverse tine control.

TILLING

The speed and depth of tilling is regulated by the position of the depth stake and wheel height.

The depth stake should always be below the wheels for digging. It serves as a brake to slow the tiller's forward motion to enable the tines to penetrate the ground. Also, the more the depth stake is lowered into the ground the deeper the tines will dig.

DEPTH STAKE (See Fig. 6)

Adjust depth stake by removing the hairpin clip and clevis pin. Change depth stake to desired position. Replace the clevis pin and hairpin clip.

- For normal tilling, set depth stake at the second or third hole from the top.

WHEELS (See Fig. 6)

Adjust wheels by removing the hairpin clip and clevis pin. Change wheel position. Replace the hairpin clip and clevis pin.

- For normal tilling, set wheels at the second or third hole from the top.

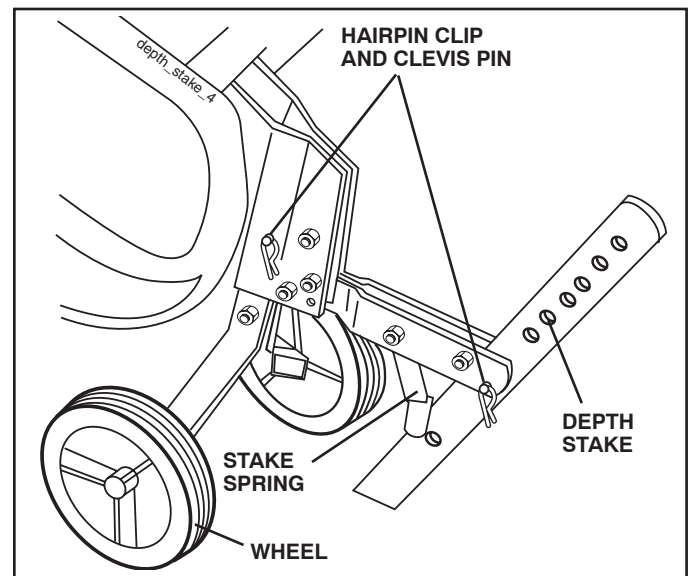


FIG. 6

OPERATION

TO TRANSPORT



CAUTION: Before lifting or transporting, allow tiller engine and muffler to cool. Disconnect spark plug wire. Drain gasoline from fuel tank.

AROUND THE YARD

- Tip depth stake forward until it is held by the stake spring.
- Push tiller handles down, raising tines off the ground.
- Push or pull tiller to desired location.

AROUND TOWN

- Disconnect spark plug wire.
- Drain fuel tank.
- Transport in upright position to prevent oil leakage.

BEFORE STARTING ENGINE

IMPORTANT: BE VERY CAREFUL NOT TO ALLOW DIRT TO ENTER THE ENGINE WHEN CHECKING OR ADDING OIL OR FUEL. USE CLEAN OIL AND FUEL AND STORE IN APPROVED, CLEAN, COVERED CONTAINERS. USE CLEAN FILL FUNNELS.

FILL ENGINE WITH OIL (See Fig. 7)

- With engine level, remove engine oil filler plug.
- Fill engine with oil to point of overflowing. For approximate capacity see "PRODUCT SPECIFICATIONS" on page 3 of this manual.
- Tilt tiller back on its wheels and then re-level.
- With engine level, refill to point of overflowing if necessary. Replace oil filler plug.
- For cold weather operation you should change oil for easier starting (See "OIL VISCOSITY CHART" in the Maintenance section of this manual).
- To change engine oil, see the Maintenance section of this manual.

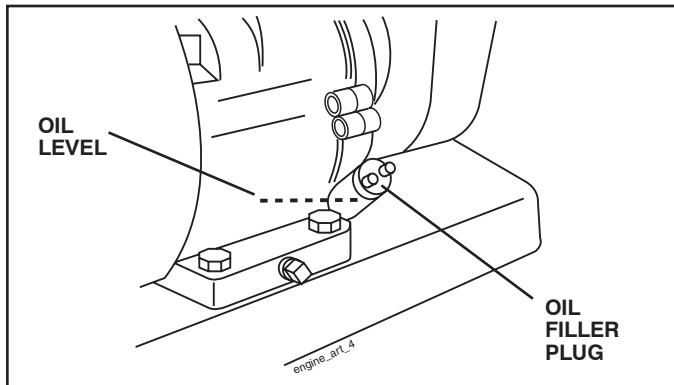


FIG. 7

ADD GASOLINE

- Fill fuel tank to bottom of filler neck. Do not overfill. Use fresh, clean, regular unleaded gasoline with a minimum of 87 octane. (Use of leaded gasoline will increase carbon and lead oxide deposits and reduce valve life). Do not mix oil with gasoline. Purchase fuel in quantities that can be used within 30 days to assure fuel freshness.



CAUTION: Fill to within 1/2 inch of top of fuel tank to prevent spills and to allow for fuel expansion. If gasoline is accidentally spilled, move machine away from area of spill. Avoid creating any source of ignition until gasoline vapors have disappeared.

Wipe off any spilled oil or fuel. Do not store, spill or use gasoline near an open flame.

IMPORTANT: WHEN OPERATING IN TEMPERATURES BELOW 32°F (0°C), USE FRESH, CLEAN WINTER GRADE GASOLINE TO HELP INSURE GOOD COLD WEATHER STARTING.

CAUTION: Alcohol blended fuels (called gasohol or using ethanol or methanol) can attract moisture which leads to separation and formation of acids during storage. Acidic gas can damage the fuel system of an engine while in storage. To avoid engine problems, the fuel system should be emptied before storage of 30 days or longer. Drain the gas tank, start the engine and let it run until the fuel lines and carburetor are empty. Use fresh fuel next season. See Storage Instructions for additional information. Never use engine or carburetor cleaner products in the fuel tank or permanent damage may occur.

TO START ENGINE (See Fig. 8)



CAUTION: Keep drive control bar in "DISENGAGED" position when starting engine.

When starting engine for the first time or if engine has run out of fuel, it will take extra pulls of the recoil starter to move fuel from the tank to the engine.

- Make sure spark plug wire is properly connected.
- Move shift lever indicator to "N" (neutral) position.
- Place throttle control in "FAST" position.
- Move choke control to choke position.
- Grasp recoil starter handle with one hand and grasp tiller handle with other hand. Pull rope out slowly until engine reaches start of compression cycle (rope will pull slightly harder at this point).
- Pull recoil starter handle quickly. Do not let starter handle snap back against starter.
- If engine fires but does not start, move choke control to half choke position. Pull recoil starter handle until engine starts.
- When engine starts, slowly move choke control to "RUN" position as engine warms up.

NOTE: A warm engine requires less choking to start.

- Move throttle control to desired running position.
- Allow engine to warm up for a few minutes before engaging tines.

OPERATION

NOTE: If at a high altitude (3000 feet) or in cold temperatures (below 32°F), the carburetor fuel mixture may need to be adjusted for best engine performance. See "TO ADJUST CARBURETOR" in the Service and Adjustments section of this manual.

NOTE: If engine does not start, see troubleshooting points.

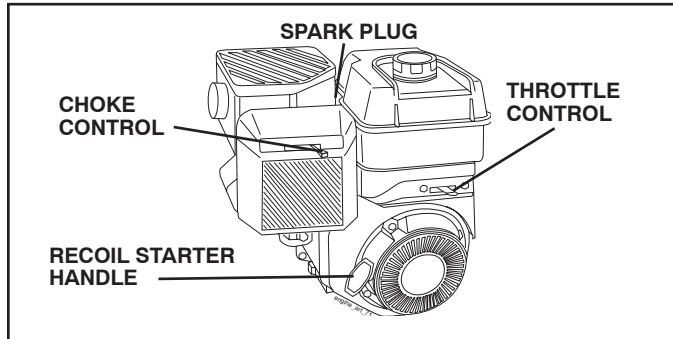


FIG. 8

BREAKING IN YOUR TILLER

Break-in your belt(s), pulleys and tine control before you actually begin tilling.

- Start engine, tip tines off ground by pressing handles down and engage tine control to start tine rotation. Allow tines to rotate for five minutes.
- Check tine operation and adjust if necessary. See "TINE OPERATION CHECK" in the Service and Adjustments section of this manual.

TILLING HINTS



CAUTION: Until you are accustomed to handling your tiller, start actual field use with throttle in slow position.

To help tiller move forward, lift up the handles slightly (thus lifting depth stake out of ground). To slow down the tiller, press down on handles.

If you are straining or tiller is shaking, the wheels and depth stake are not set properly in the soil being tilled. The proper setting of the wheels and depth stake is through trial and error and depends upon the soil condition. (The harder or wetter the ground, the slower the engine and tine speed needed. Under these poor conditions, at fast speed the tiller will run and jump over the ground).

A properly adjusted tiller will dig with little effort from the operator.

- Tilling is digging into, turning over, and breaking up packed soil before planting. Loose, unpacked soil helps root growth. Best tilling depth is 4"-6". A tiller will also clear the soil of unwanted vegetation. The decomposition of this vegetable matter enriches the soil. Depending on the climate (rainfall and wind), it may be advisable to till the soil at the end of the growing season to further condition the soil.

- Soil conditions are important for proper tilling. Tines will not readily penetrate dry, hard soil which may contribute to excessive bounce and difficult handling of your tiller. Hard soil should be moistened before tilling; however, extremely wet soil will "ball-up" or clump during tilling. Wait until the soil is less wet in order to achieve the best results. When tilling in the fall, remove vines and long grass to prevent them from wrapping around the tine shaft and slowing your tilling operation.
- You will find tilling much easier if you leave a row untilled between passes. Then go back between tilled rows. (See Fig. 9) There are two reasons for doing this. First, wide turns are much easier to negotiate than about-faces. Second, the tiller won't be pulling itself, and you, toward the row next to it.
- Set depth stake and wheel height for shallow tilling when working extremely hard soil or sod. Then work across the first cuts at normal depth.

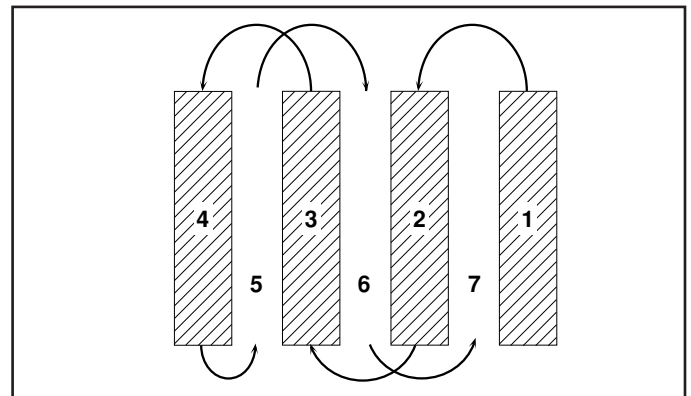


FIG. 9

CULTIVATING

Cultivating is destroying the weeds between rows to prevent them from robbing nourishment and moisture from the plants. At the same time, breaking up the upper layer of soil crust will help retain moisture in the soil. Best digging depth is 1"-3".

- You will probably not need to use the depth stake. Begin by tipping the depth stake forward until it is held by the stake spring.
- Cultivate up and down the rows at a speed which will allow tines to uproot weeds and leave the ground in rough condition, promoting no further growth of weeds and grass (See Fig. 10).

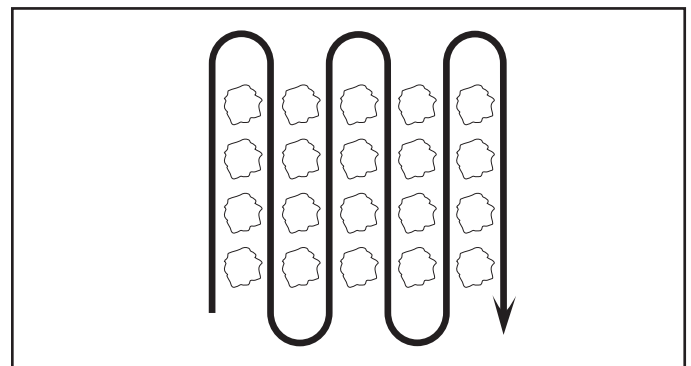


FIG. 10

MAINTENANCE

MAINTENANCE SCHEDULE	SERVICE DATES											
	BEFORE EACH USE	EVERY 5 HOURS	EVERY 25 HOURS	EVERY 50 HOURS								
FILL IN DATES AS YOU COMPLETE REGULAR SERVICE												
Check Engine Oil Level	✓	✓										
Change Engine Oil			✓ _{1,2}									
Oil Pivot Points		✓										
Inspect Spark Arrester / Muffler				✓								
Inspect Air Screen	✓											
Clean or Replace Air Cleaner Cartridge				✓ ₂								
Clean Engine Cylinder Fins				✓								
Replace Spark Plug				✓								

- 1 - Change more often when operating under a heavy load or in high ambient temperatures.
- 2 - Service more often when operating in dirty or dusty conditions.

GENERAL RECOMMENDATIONS

The warranty on this tiller does not cover items that have been subjected to operator abuse or negligence. To receive full value from the warranty, the operator must maintain tiller as instructed in this manual.

Some adjustments will need to be made periodically to properly maintain your tiller.

At least once a season, check to see if you should make any of the adjustments described in the Service and Adjustments section of this manual.

- Once a year you should replace the spark plug, clean or replace air filter, and check tines and belts for wear. A new spark plug and clean air filter assure proper air-fuel mixture and help your engine run better and last longer.

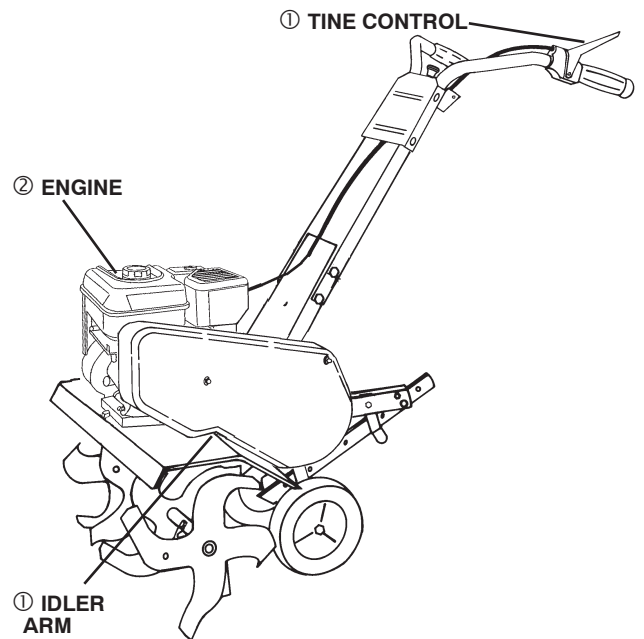
BEFORE EACH USE

- Check engine oil level.
- Check tine operation.
- Check for loose fasteners.

LUBRICATION

Keep unit well lubricated (See "LUBRICATION CHART").

LUBRICATION CHART



- ① SAE 30 OR 10W-30 MOTOR OIL
- ② REFER TO MAINTENANCE "ENGINE" SECTION

MAINTENANCE



Disconnect spark plug wire before performing any maintenance (except carburetor adjustment) to prevent accidental starting of engine.

Prevent fires! Keep the engine free of grass, leaves, spilled oil, or fuel. Remove fuel from tank before tipping unit for maintenance. Clean muffler area of all grass, dirt, and debris.

Do not touch hot muffler or cylinder fins as contact may cause burns.

ENGINE

LUBRICATION

Use only high quality detergent oil rated with API service classification SG-SL. Select the oil's SAE viscosity grade according to your expected temperature.

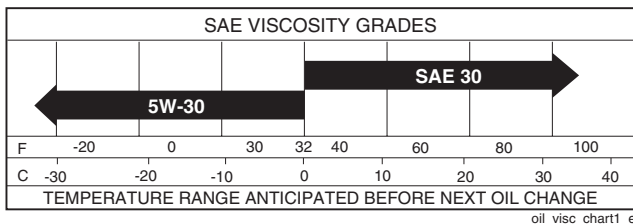


FIG. 11

NOTE: Although multi-viscosity oils (5W-30, 10W-30, etc.) improve starting in cold weather, these multi viscosity oils will result in increased oil consumption when used above 32°F (0°C). Check your engine oil level more frequently to avoid possible engine damage from running low on oil.

Change the oil after every 25 hours of operation or at least once a year if the tiller is not used for 25 hours in one year.

Check the crankcase oil level before starting the engine and after each five (5) hours of continuous use. Add SAE 30 motor oil or equivalent. Tighten oil filler plug securely each time you check the oil level.

TO CHANGE ENGINE OIL (See Figs. 11 and 12)

Determine temperature range expected before oil change. All oil must meet API service classification SG-SL.

- Be sure tiller is on level surface.
- Oil will drain more freely when warm.
- Catch oil in a suitable container.
- Remove drain plug.
- Tip tiller forward to drain oil.
- After oil has drained completely, replace oil drain plug and tighten securely.
- Remove oil filler plug. Be careful not to allow dirt to enter the engine.
- Refill engine with oil. See "CHECK ENGINE OIL LEVEL" in the Operation section of this manual.

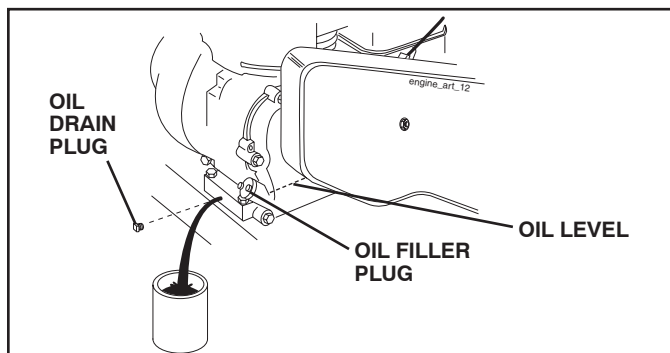


FIG. 12

AIR CLEANER (See Fig. 13)

Service air cleaner cartridge every twenty-five hours, more often if engine is used in very dusty conditions.

- Loosen air cleaner screws, one on each side of cover.
- Remove air cleaner cover.
- Carefully remove air cleaner cartridge. Be careful. Do not allow dirt or debris to fall into carburetor.
- Clean by tapping gently on a flat surface.
- If very dirty or damaged, replace cartridge.
- Clean and replace cover. Tighten screws securely.



CAUTION: Petroleum solvents, such as kerosene, are not to be used to clean cartridge. They may cause deterioration of the cartridge. Do not oil cartridge. Do not use pressurized air to clean or dry cartridge.

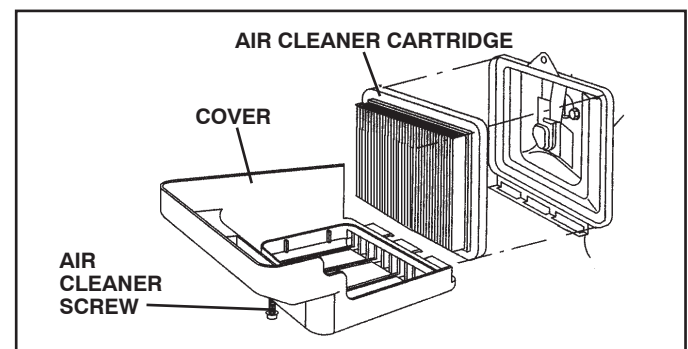


FIG. 13

COOLING SYSTEM (See Fig. 14)

Your engine is air cooled. For proper engine performance and long life keep your engine clean.

- Clean air screen frequently using a stiff-bristled brush.
- Remove blower housing and clean as necessary.
- Keep cylinder fins free of dirt and chaff.

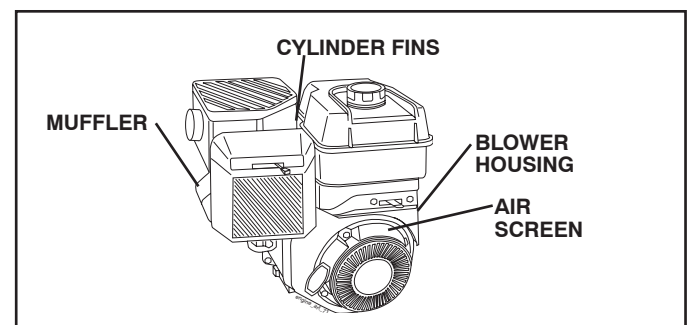


FIG. 14

MAINTENANCE

MUFFLER

Do not operate tiller without muffler. Do not tamper with exhaust system. Damaged mufflers or spark arresters could create a fire hazard. Inspect periodically and replace if necessary. If your engine is equipped with a spark arrester screen assembly, remove every 50 hours for cleaning and inspection. Replace if damaged.

SPARK PLUG

Replace spark plugs at the beginning of each tilling season or after every 50 hours of use, whichever comes first. Spark plug type and gap setting are shown in "PRODUCT SPECIFICATIONS" on page 3 of this manual.

TRANSMISSION

Your transmission is sealed and will not require lubrication unless serviced.

CLEANING

Do not clean your tiller when the engine and transmission are hot. We do not recommend using pressurized water (garden hose, etc.) to clean your unit unless the gasket area around the transmission and the engine muffler, air filter and carburetor are covered to keep water out. Water in engine will shorten the useful life of your tiller.

- Clean engine, wheels, finish, etc. of all foreign matter.
- Keep finished surfaces and wheels free of all gasoline, oil, etc.
- Protect painted surfaces with automotive type wax.

SERVICE AND ADJUSTMENTS



CAUTION: Disconnect spark plug wire from spark plug and place wire where it cannot come into contact with plug.

TILLER

TO ADJUST HANDLE HEIGHT (See Fig. 15)

Factory assembly has provided lowest handle height. Select handle height best suited for your tilling conditions. Handle height will be different when tiller digs into soil.

- If a higher handle height is desired, loosen the four nuts securing handle panel to engine brackets.
- Slide handle panel to desired location.
- Tighten the four nuts securely.

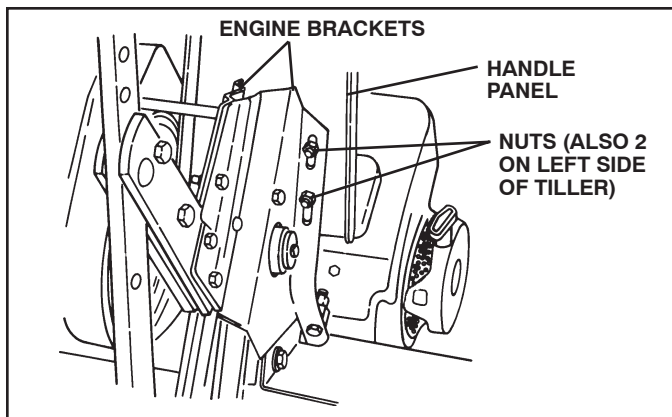


FIG. 15

TINE ARRANGEMENT

Your outer tines can be assembled in several different ways to suit your tilling or cultivating needs.



CAUTION: Tines are sharp. Wear gloves or other protection when handling tines.

NORMAL TILLING - 26" PATH (See Fig. 16)

- Assemble holes "A" in tine hubs to holes "B" in tine shaft.

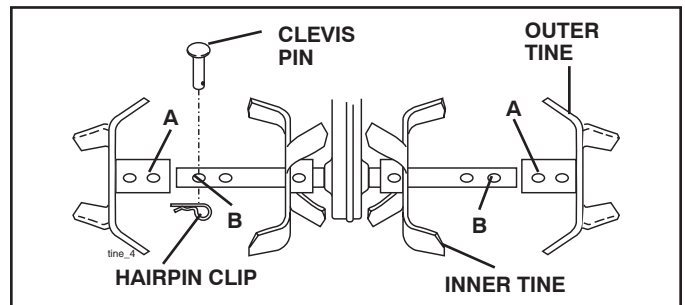


FIG. 16

MID-WIDTH TILLING - 24" PATH (See Fig. 17)

- Assemble holes "A" in tine hubs to holes "C" in tine shaft.

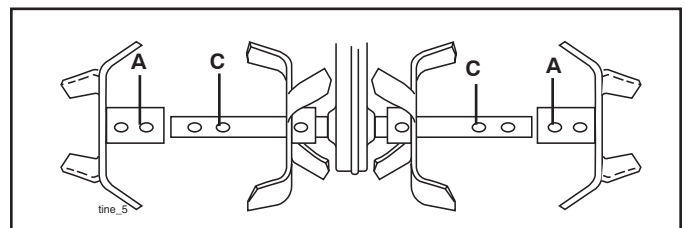


FIG. 17

SERVICE AND ADJUSTMENTS

NARROW TILLING/CULTIVATING - 12-3/4" PATH

(See Fig. 18)

- Remove outer tines.

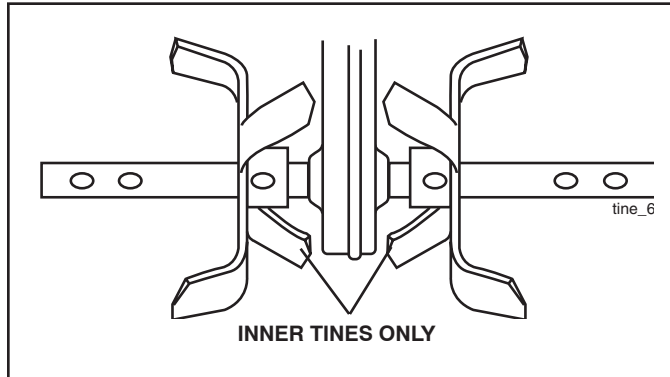


FIG. 18

NOTE: When reassembling outer tines, be sure right tine assembly (marked "R") and left tine assembly (marked "L") are mounted to correct side of tine shaft.

TINE OPERATION CHECK (See Fig. 19)



WARNING: Disconnect spark plug wire from spark plug to prevent starting while checking tine operation.

For proper tine operation, forward tine control lever must be against control body and all slack removed from inner wire of control cable when control is in the "OFF" (up) position. If lever and cable are loose, loosen cable clip at lower end of cable. Pull up on cable to remove slack, without extending spring on end of cable, and retighten cable clip.

FINAL CHECK "OFF" POSITION

- With tine control "OFF" (up), push down on handle to raise tines off the ground.
- Slowly pull recoil starter handle while observing tines. Tines should not rotate.
- If tines rotate, inner wire of control cable is too tight which is extending lower spring and engaging tines. Loosen cable clip and push down on cable only enough to relieve spring tension. Tighten cable clip.
- Recheck in "OFF" position and adjust if necessary.

FINAL CHECK "ON" POSITION

- With tine control "ON" (held down to handle) push down on handle to raise tines off the ground.
- Slowly pull recoil starter handle while observing tines. Tines should rotate forward.
- If tines do not rotate, inner wire of control cable is too loose. Loosen cable clip and pull cable up to remove slack and retighten clip.
- Recheck in "ON" position and adjust if necessary.

NOTE: If "ON" position check required adjustment, recheck "OFF" position adjustment to insure tines do not rotate when control is "OFF" (up).

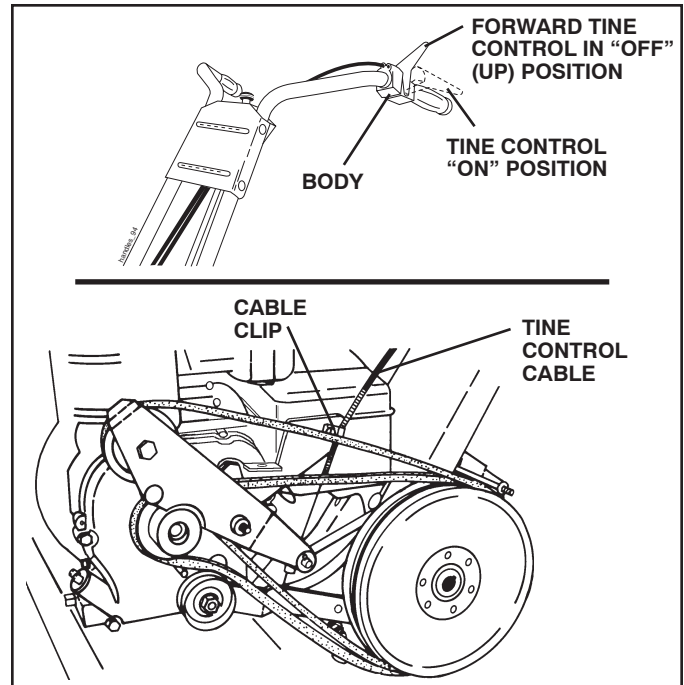


FIG. 19

TO REMOVE BELT GUARD (See Fig. 20)

- Remove two (2) cap nuts and washers from side of belt guard.
- Loosen (do not remove) tine shield nut on underside of tine shield.
- Pull belt guard out and away from unit.
- Replace belt guard by reversing above procedure. Be sure slot in bottom of belt guard is under head of tine shield bolt and all nuts are tightened securely.

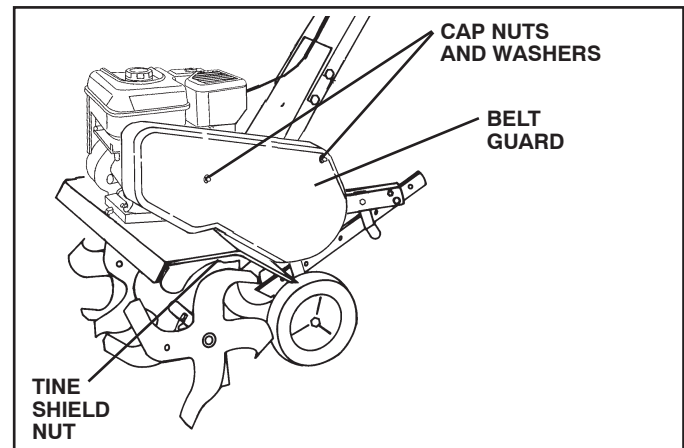


FIG. 20

TO REPLACE V-BELTS (See Figs. 21 and 22)

Replace V-belts if they have stretched considerably or if they show cracks or frayed edges. There are two (2) V-belts - forward (inside) and reverse (outside).

Belt guard must be removed to service belts. See "TO REMOVE BELT GUARD" in this section of manual.

NOTE: Observe carefully routing of both belts and location of all belt guides before removing belts.

SERVICE AND ADJUSTMENTS

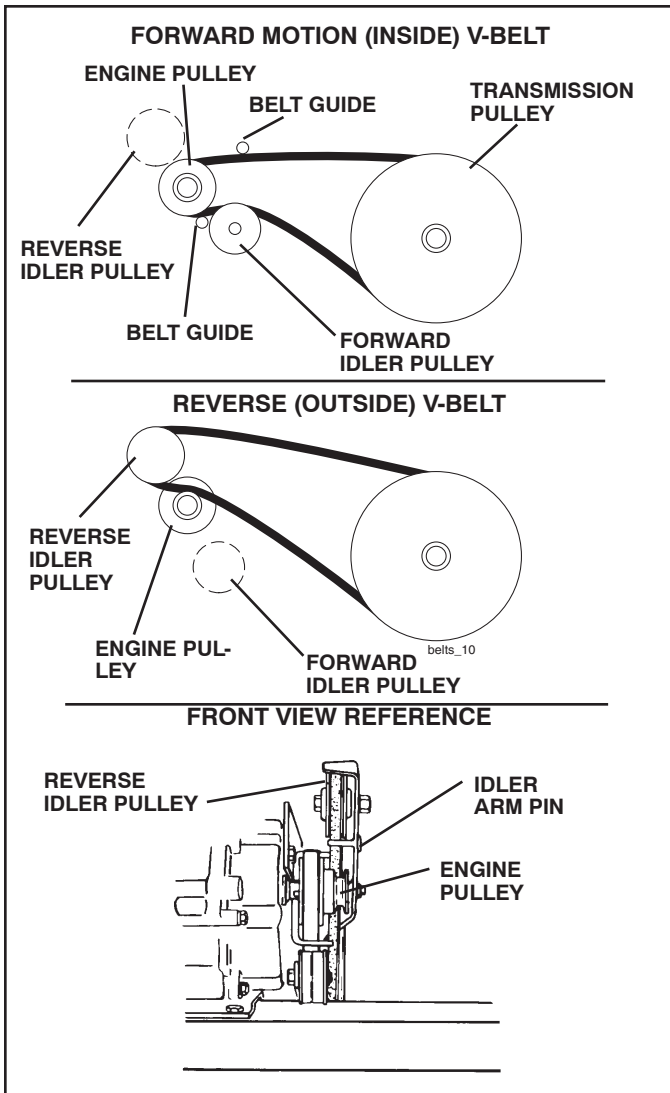


FIG. 21

BELT REMOVAL

- Remove reverse idler pulley from idler arm.
- Remove reverse (outside) V-belt.
- Remove forward (inside) V-belt from transmission pulley first and then from engine pulley.

BELT REPLACEMENT

- Install new forward (inside) V-belt to engine pulley first then to transmission pulley. Be sure belt is positioned on inside groove of both pulleys, inside all belt guides and rests on idler pulley.
- Before installing reverse (outside) V-belt, turn belt "inside out". Twist so wide, flat surface of belt is to inside.
- Wrap V-belt around reverse idler pulley and reassemble idler to idler arm. Tighten securely. Be sure belt is between reverse idler pulley and idler arm pin.
- Install belt to outside groove of transmission pulley. Be sure belt is inside all belt guides and rests on outside groove of engine pulley.

CHECK TINE OPERATION

- See "TINE OPERATION CHECK" in this section of manual.

REPLACE BELT GUARD

ENGINE

TO ADJUST CARBURETOR

The carburetor has been preset at the factory and adjustment should not be necessary. However, engine performance can be affected by differences in fuel, temperature, altitude or load. If the carburetor does need adjustment, contact your nearest authorized service center/department

IMPORTANT: NEVER TAMPER WITH THE ENGINE GOVERNOR, WHICH IS FACTORY SET FOR PROPER ENGINE SPEED. OVERSPEEDING THE ENGINE ABOVE THE FACTORY HIGH SPEED SETTING CAN BE DANGEROUS. IF YOU THINK THE ENGINE-GOVERNED HIGH SPEED NEEDS ADJUSTING, CONTACT YOUR NEAREST AUTHORIZED SERVICE CENTER/DEPARTMENT, WHICH HAS THE PROPER EQUIPMENT AND EXPERIENCE TO MAKE ANY NECESSARY ADJUSTMENTS.

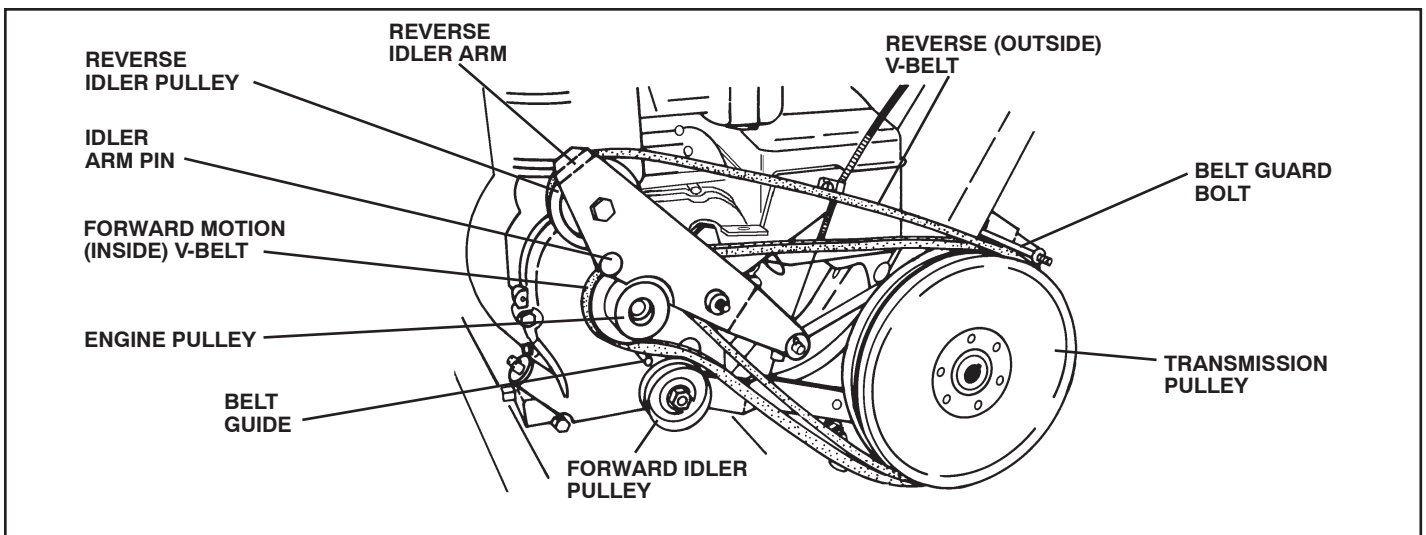


FIG. 22

STORAGE

Immediately prepare your tiller for storage at the end of the season or if the unit will not be used for 30 days or more.



WARNING: Never store the tiller with gasoline in the tank inside a building where fumes may reach an open flame or spark. Allow the engine to cool before storing in any enclosure.

TILLER

- Clean entire tiller (See “CLEANING” in the Maintenance section of this manual).
- Inspect and replace belts, if necessary (See belt replacement instructions in the Service and Adjustments section of this manual).
- Lubricate as shown in the Maintenance section of this manual.
- Be sure that all nuts, bolts and screws are securely fastened. Inspect moving parts for damage, breakage and wear. Replace if necessary.
- Touch up all rusted or chipped paint surfaces; sand lightly before painting.

ENGINE

FUEL SYSTEM

IMPORTANT: IT IS IMPORTANT TO PREVENT GUM DEPOSITS FROM FORMING IN ESSENTIAL FUEL SYSTEM PARTS SUCH AS THE CARBURETOR, FUEL FILTER, FUEL HOSE, OR TANK DURING STORAGE. ALSO, EXPERIENCE INDICATES THAT ALCOHOL BLENDED FUELS (CALLED GASOHOL OR USING ETHANOL OR METHANOL) CAN ATTRACT MOISTURE WHICH LEADS TO SEPARATION AND FORMATION OF ACIDS DURING STORAGE. ACIDIC GAS CAN DAMAGE THE FUEL SYSTEM OF AN ENGINE WHILE IN STORAGE.

- Empty the fuel tank by starting the engine and let it run until the fuel lines and carburetor are empty.
- Never use engine or carburetor cleaner products in the fuel tank or permanent.
- Use fresh fuel next season.

NOTE: Fuel stabilizer is an acceptable alternative in minimizing the formation of fuel gum deposits during storage. Add stabilizer to gasoline in fuel tank or storage container. Always follow the mix ratio found on stabilizer container. Run engine at least 10 minutes after adding stabilizer to allow the stabilizer to reach the carburetor. Do not empty the gas tank and carburetor if using fuel stabilizer.

ENGINE OIL

Drain oil (with engine warm) and replace with clean oil. (See “ENGINE” in the Maintenance section of this manual).

CYLINDER(S)

- Remove spark plug.
- Pour 1 ounce (29 ml) of oil through spark plug hole into cylinder.
- Pull starter handle slowly several times to distribute oil.
- Replace with new spark plug.

OTHER

- Do not store gasoline from one season to another.
- Replace your gasoline can if your can starts to rust. Rust and/or dirt in your gasoline will cause problems.
- If possible, store your unit indoors and cover it to give protection from dust and dirt.
- Cover your unit with a suitable protective cover that does not retain moisture. Do not use plastic. Plastic cannot breathe which allows condensation to form and will cause your unit to rust.

IMPORTANT: NEVER COVER TILLER WHILE ENGINE AND EXHAUST AREAS ARE STILL WARM.

TROUBLESHOOTING POINTS

PROBLEM	CAUSE	CORRECTION
Will not start	<ol style="list-style-type: none"> 1. Out of fuel. 2. Engine not "CHOKED" properly. 3. Engine flooded. 4. Dirty air cleaner. 5. Water in fuel. 6. Clogged fuel tank. 7. Loose spark plug wire. 8. Bad spark plug or improper gap. 9. Carburetor out of adjustment. 	<ol style="list-style-type: none"> 1. Fill fuel tank. 2. See "TO START ENGINE" in the Operation section. 3. Wait several minutes before attempting to start. 4. Clean or replace air cleaner cartridge. 5. Empty fuel tank and carburetor, and refill tank with fresh gasoline. 6. Remove fuel tank and clean. 7. Make sure spark plug wire is seated properly on plug. 8. Replace spark plug or adjust gap. 9. Make necessary adjustments.
Hard to start	<ol style="list-style-type: none"> 1. Throttle control not set properly. 2. Dirty air cleaner. 3. Bad spark plug or improper gap. 4. Stale or dirty fuel. 5. Loose spark plug wire. 6. Carburetor out of adjustment. 	<ol style="list-style-type: none"> 1. Place throttle control in "FAST" position. 2. Clean or replace air cleaner cartridge. 3. Replace spark plug or adjust gap. 4. Empty fuel tank and refill with fresh gasoline. 5. Make sure spark plug wire is seated properly on plug. 6. Make necessary adjustments.
Loss of power	<ol style="list-style-type: none"> 1. Engine is overloaded. 2. Dirty air cleaner. 3. Low oil level/dirty oil. 4. Faulty spark plug. 5. Oil in fuel. 6. Stale or dirty fuel. 7. Water in fuel. 8. Clogged fuel tank. 9. Spark plug wire loose. 10. Dirty engine air screen. 11. Dirty/clogged muffler. 12. Carburetor out of adjustment. 13. Poor compression. 	<ol style="list-style-type: none"> 1. Set depth stake and wheels for shallower tilling. 2. Clean or replace air cleaner cartridge. 3. Check oil level/change oil. 4. Clean and regap or change spark plug. 5. Empty and clean fuel tank and refill, and clean carburetor. 6. Empty fuel tank and refill with fresh gasoline. 7. Empty fuel tank and carburetor, and refill tank with fresh gasoline. 8. Remove fuel tank and clean. 9. Connect and tighten spark plug wire. 10. Clean engine air screen. 11. Clean/replace muffler. 12. Make necessary adjustments. 13. Contact an authorized service center/department.
Engine overheats	<ol style="list-style-type: none"> 1. Low oil level/dirty oil. 2. Dirty engine air screen. 3. Dirty engine. 4. Partially plugged muffler. 5. Improper carburetor adjustment. 	<ol style="list-style-type: none"> 1. Check oil level/change oil. 2. Clean engine air screen. 3. Clean cylinder fins, air screen, muffler area. 4. Remove and clean muffler. 5. Adjust carburetor to richer position.
Excessive bounce/ difficult handling	<ol style="list-style-type: none"> 1. Ground too dry and hard. 2. Wheels and depth stake incorrectly adjusted. 	<ol style="list-style-type: none"> 1. Moisten ground or wait for more favorable soil conditions. 2. Adjust wheels and depth stake.
Soil balls up or clumps	<ol style="list-style-type: none"> 1. Ground too wet. 	<ol style="list-style-type: none"> 1. Wait for more favorable soil conditions.
Engine runs but tiller won't move	<ol style="list-style-type: none"> 1. Tine control is not engaged. 2. V-belt not correctly adjusted. 3. V-belt is off pulley(s). 	<ol style="list-style-type: none"> 1. Engage tine control. 2. Inspect/adjust V-belt. 3. Inspect V-belt.
Engine runs but labors when tilling	<ol style="list-style-type: none"> 1. Tilling too deep. 2. Throttle control not properly adjusted. 3. Carburetor out of adjustment. 	<ol style="list-style-type: none"> 1. Set depth stake for shallower tilling. 2. Check throttle control setting. 3. Make necessary adjustments.

LIMITED WARRANTY

The Manufacturer warrants to the original consumer purchaser that this product as manufactured is free from defects in materials and workmanship. For a period of two (2) years from date of purchase by the original consumer purchaser, we will repair or replace, at our option, without charge for parts or labor incurred in replacing parts, any part which we find to be defective due to materials or workmanship. This Warranty is subject to the following limitations and exclusions.

1. This warranty does not apply to the engine or components parts thereof. Please refer to the applicable manufacturer's warranty on these items.
2. Transportation charges for the movement of any power equipment unit or attachment are the responsibility of the purchaser. Transportation charges for any parts submitted for replacement under this warranty must be paid by the purchaser unless such return is requested by the manufacturer.
3. The Warranty period for any products used for rental or commercial purposes is limited to 90 days from the date of original purchase.
4. This Warranty applies only to products which have been properly assembled, adjusted, operated, and maintained in accordance with the instructions furnished. This Warranty does not apply to any product which has been subjected to alteration, misuse, abuse, improper assembly or installation, delivery damage, or to normal wear of the product.
5. Exclusions: Excluded from this Warranty are belts, tines, tine adapters, normal wear, normal adjustments, standard hardware and normal maintenance.
6. In the event you have a claim under this Warranty, you must return the product to an authorized service dealer.

Should you have any unanswered questions concerning this Warranty, please contact:

Poulan Pro
Customer Service Dept.
1030 Stevens Creek Road
Augusta, GA 30907 USA

In Canada contact:
Poulan Pro
7075 Ordan Drive
Mississauga, Ontario
L5T 1K6

giving the model number, serial number and date of purchase of your product and the name and address of the authorized dealer from whom it was purchased.

THIS WARRANTY DOES NOT APPLY TO INCIDENTAL OR CONSEQUENTIAL DAMAGES AND ANY IMPLIED WARRANTIES ARE LIMITED TO THE SAME TIME PERIODS STATED HEREIN FOR OUR EXPRESSED WARRANTIES. Some areas do not allow the limitation of consequential damages or limitations of how long an implied Warranty may last, so the above limitations or exclusions may not apply to you. This Warranty gives you specific legal rights, and you may have other rights which vary from locale to locale.

This is a limited Warranty within the meaning of that term as defined in the Magnuson-Moss Act of 1975.

Poulan PRO

PARTS AND SERVICE

This product has been expertly engineered and carefully manufactured to rigid quality standards. As with all mechanical products, some adjustments or part replacement may be necessary during the life of your unit.

For Parts and service, contact our authorized distributor: call 1-800-849-1297

- For replacement parts, have available the following information:
 - a. Model Number/Manufacturer's I.D. Number
 - b. Description of part.

For Technical Assistance: call 1-800-829-5886

For a Parts Manual, go to our website: www.poulan-pro.com/support.asp

NOTE: HOP provides parts and service through its authorized distributors and dealers; therefore, all requests for parts and service should be directed to your local dealer(s). The philosophy of HOP is to continually improve all of its products. If the operating characteristics or the appearance of your product differs from those described in this Manual, please contact your local dealer for updated information and assistance.

Poulan PRO

L'ENTRETIEN ET

LES PIÈCES DE RECHANGE

Ce produit, conçu avec les soins les plus attentifs, est fabriqué en accord avec des standards stricts. Comme pour tous les produits avec des parties mobiles, il peut être nécessaire pendant la durée de votre machine d'effectuer des ajustements ou le remplacement de certaines pièces.

Pour les pièces de rechange et l'entretien, contactez notre concessionnaire autorisé: appelez 1-800-849-1297

• Pour les pièces de rechange, ayez près de vous:

A. Numéro du modèle/Référence numéro du fabricant

B. Description de la pièce

Pour l'assistance technique: appelez 1-800-829-5886

Pour un manuel de pièces, allez à notre site web: www.poulan-pro.com/support.asp

N.B.: HOP assure la distribution des pièces de rechange et l'entretien de ses produits par l'intermédiaire des concessionnaires et des distributeurs agréés; par conséquent toute demande de pièces ou d'entretien doit être adressée directement au distributeur agréé le plus proche. La philosophie de HOP est d'améliorer en permanence la gamme complète de ses produits. Si les caractéristiques ou l'apparence de votre outil sont différentes de celles décrites dans ce Manuel, contactez S.V.P. votre concessionnaire pour les informations et l'assistance concernant les mises à jour.

GUIDE DE DÉPANNAGE

PROBLEME	CAUSE	CORRECTION
Le moteur refuse de démarrer	<ol style="list-style-type: none"> 1. Sans essence. 2. Le moteur n'est pas correctement étriqué. 3. Le moteur est noyé. 4. Filtre à air sale. 5. Il y a d'eau dans l'essence. 6. Réservoir d'essence bouché. 7. Fil de bougie d'allumage est débranché. 8. Mauvaise bougie d'allumage ou écart incorrect. 9. Carburateur déréglé. 	<ol style="list-style-type: none"> 1. Remplissez le réservoir d'essence. 2. Référez-vous à la section "DÉMARRER LE MOTEUR" dans la section "UTILISATION". 3. Attendez plusieurs minutes avant de démarrer. 4. Nettoyez/remplacez la cartouche de filtre à air. 5. Vidangez l'essence du réservoir et du carburateur, et remplissez le réservoir avec l'essence fraîche. 6. Enlevez le réservoir d'essence et nettoyez-le. 7. Branchez le fil de bougie d'allumage. 8. Remplacez la bougie d'allumage, ou réglez l'écart. 9. Réglez le carburateur.
Démarrage difficile	<ol style="list-style-type: none"> 1. La commande des gaz n'est pas réglée correctement. 2. Filtre à air sale. 3. Mauvaise bougie d'allumage ou écart incorrect. 4. Essence sale ou vieille. 5. Fil de bougie d'allumage débranché. 6. Carburateur déréglé. 	<ol style="list-style-type: none"> 1. Posez la commande des gaz à la position rapide ("FAST"). 2. Nettoyez/remplacez la cartouche de filtre à air. 3. Remplacez la bougie d'allumage, ou réglez l'écart. 4. Vidangez l'essence du réservoir et remplissez avec l'essence fraîche. 5. Branchez le fil de bougie d'allumage. 6. Réglez le carburateur.
Le moteur manque de puissance	<ol style="list-style-type: none"> 1. Moteur surchargé. 2. Filtre à air sale. 3. Niveau d'huile bas ou huile sale. 4. Bougie d'allumage défectueuse. 5. Présence d'huile dans l'essence. 6. Essence sale ou vieille. 7. Il y a d'eau dans l'essence. 8. Réservoir d'essence bouché. 9. Fil de bougie d'allumage est débranché. 10. Tamis d'air encrassé. 11. Silencieux est bouché/sale. 12. Le carburateur est déréglé. 13. Mauvaise compression. 	<ol style="list-style-type: none"> 1. Réglez la jauge de profondeur et les roues pour labourage moins profond. 2. Nettoyez/remplacez la cartouche de filtre à air. 3. Vérifiez le niveau d'huile ou remplacez-la. 4. Nettoyez, ajustez l'écart ou remplacez la bougie d'allumage. 5. Vidangez, nettoyez et remplissez le réservoir d'essence et nettoyez le carburateur. 6. Vidangez l'essence du réservoir et remplissez avec l'essence fraîche. 7. Vidangez l'essence du réservoir et du carburateur, et remplissez le réservoir avec l'essence fraîche. 8. Enlevez le réservoir d'essence et nettoyez-le. 9. Branchez et serrez le fil de bougie d'allumage. 10. Nettoyez le tamis d'air de moteur. 11. Nettoyez/remplacez le silencieux. 12. Réglez le carburateur. 13. Contactez un centre d'entretien autorisé.
Moteur surchauffe	<ol style="list-style-type: none"> 1. Niveau d'huile bas ou huile sale. 2. Tamis d'air encrassé. 3. Moteur encrassé. 4. Silencieux bouché partiellement. 5. Réglage de carburateur incorrect. 	<ol style="list-style-type: none"> 1. Vérifiez le niveau d'huile ou la remplacez-la. 2. Nettoyez le tamis d'air. 3. Nettoyez les ailettes de cylindre, le tamis d'air, et autour du silencieux. 4. Enlevez et nettoyez le silencieux. 5. Réglez le carburateur à la position plus riche.
Rebondissements excessifs et un maintienement difficile	<ol style="list-style-type: none"> 1. La terre est trop sèche et dure. 2. Réglages des roues et de la jauge de profondeur. 	<ol style="list-style-type: none"> 1. Mouillez légèrement la terre ou attendez des conditions de sol plus favorables. 2. Réglez les roues et la jauge de profondeur.
Terre se groupe en mottes	<ol style="list-style-type: none"> 1. La terre est trop mouillée. 	<ol style="list-style-type: none"> 1. Attendez des conditions de terre plus favorables.
Moteur marche mais la motobineuse ne bouge pas	<ol style="list-style-type: none"> 1. Courroie trapézoïdale n'est pas dans les poulies. 2. Mauvais réglage de la courroie trapézoïdale. 3. La barre de commande n'est pas engagée. 	<ol style="list-style-type: none"> 1. Vérifiez la courroie trapézoïdale. 2. Vérifiez/réglez la courroie trapézoïdale. 3. Engagez la barre de commande.
Moteur marche mais peine lors du labourage pas	<ol style="list-style-type: none"> 1. Labourage trop profond. 2. Mauvais réglage de la commande des gaz. 3. Le carburateur est déréglé. 	<ol style="list-style-type: none"> 1. Réglez la jauge de profondeur pour labourage moins profond. 2. Vérifiez le réglage de la commande des gaz. 3. Réglez le carburateur.

ENTREPOSAGE

Préparez immédiatement votre motobineuse pour l'entreposage à la fin de la saison ou si l'unité ne sera pas utilisée pendant 30 jours ou plus.



AVERTISSEMENT: N'entreposez jamais la motobineuse lorsque le réservoir contient de l'essence dans un bâtiment où les vapeurs pourraient parvenir à une flamme nue ou une étincelle. Laissez le moteur refroidir avant d'entreposer dans un lieu clos.

MOTOBINEUSE

- Nettoyez complètement la motobineuse (réfêrez-vous à la section "NETTOYAGE" dans la section Entretien de ce manuel).
- Inspectez, et si nécessaire, remplacez les courroies (Réfêrez-vous aux instructions de remplacement de courroie dans la section Révision et Réglaages de ce manuel).
- Lubrifiez comme illustré dans la section Entretien de ce manuel.
- Assurez-vous que tous les écrous, les boulons et les vis soient bien serrés. Vérifiez si les pièces mobiles sont avariées, brisées et usées. Remplacez-les si nécessaire.
- Retouchez toutes les surfaces peintes rouillées ou éraflées; sablez légèrement avant de peindre.

MOTEUR

SYSTÈME D'ALIMENTATION

IMPORTANT: C'EST TRÈS IMPORTANT D'ÉVITER LA FORMATION DE DÉPÔTS DE GOMME DANS LE CARBURATEUR, LE FILTRE D'ESSENCE, LE TUYAU D'ESSENCE OU LE RÉSERVOIR D'ESSENCE PENDANT L'ENTREPOSAGE. L'EXPIRIENCE DÉMONTRE QUE LES CARBURANTS MÉLANGÉS AVEC DE L'ALCOOL (APPELÉES GASOHL, OU UTILISANT DEL'ETHANOL OU DU METHANOL) PEUVENT ATTIRER L'HUMIDITE QUI CAUSE LA SÉPARATION ET LA FORMATION D'ACIDES PENDANT L'ENTREPOSAGE. LE GAZ ACIDE PEUT AVARIER LE SYSTÈME D'ALIMENTATION DU MOTEUR PENDANT L'ENTREPOSAGE.

- Vidangez le réservoir d'essence.
- Démarrez le moteur et laissez-le tourner jusqu'à ce que les conduites d'essence et le carburateur soient vides.
- N'utilisez jamais les produits spéciaux pour nettoyer le moteur et le carburateur dans le réservoir d'essence. L'emploi de ces produits pourrait causer des dégâts permanents.

REMARQUE: Un agent stabilisant dans l'essence est une option acceptable pour minimiser la formation de dépôts de gomme de carburant pendant l'entreposage. Ajoutez l'agent à l'essence dans le réservoir d'essence ou dans le bidon de carburant. Suivez toujours le dosage de mélange inscrit sur le bidon de l'agent. Laissez tourner le moteur pendant au moins 10 minutes après avoir ajouté l'agent pour lui permettre d'atteindre le carburateur. Ne vidangez pas le réservoir d'essence et le carburateur si l'agent d'essence est utilisé.

HUILE DE MOTEUR

Vidangez l'huile (quand le moteur est chaud) et remplacez avec l'huile de moteur fraîche. (Réfêrez-vous à "MOTEUR" dans la section Entretien de ce manuel.)

CYLINDRE(S)

- Enlevez la bougie d'allumage.
- Versez une once 28 ml (1 once) d'huile par l'orifice de la bougie d'allumage dans le cylindre.
- Tirez lentement la poignée de démarrage plusieurs fois pour distribuer l'huile.
- Remplacez par une nouvelle bougie d'allumage.

INFORMATION SUPPLÉMENTAIRE

- **Ne conservez pas d'essence d'une saison à l'autre.** Remplacez le bidon d'essence s'il commence à rouiller. La présence de rouille et/ou de saleté dans l'essence causera des problèmes.
 - Entreposez la motobineuse à l'intérieur, si possible, et couvrez-la pour la protéger de la poussière et de la saleté.
 - Couvrez la motobineuse avec une couverture imperméable. N'utilisez pas une couverture en plastique. Le plastique obstrue la circulation d'air et permet la formation de condensation qui fera à rouiller l'unité.
- IMPORTANT: NE COUVREZ JAMAIS LA MOTOBINEUSE QUAND LE MOTEUR ET LE CIRCUIT D'ÉCHAPPEMENT SONT ENCORE CHAUDS.**

RÉVISION ET RÉGLAGES

L'entretien, la réparation, ou le remplacement des dispositifs antipollution, lesquels sont faits aux frais du client, peuvent être exécutés par tout atelier ou technicien spécialisé en moteurs pour service hors-route. Les réparations sous garantie doivent être exécutées par un centre de service autorisé par le fabricant.

MOTEUR

Le carburateur a été réglé à l'usine et ne devrait pas être modifié. Cependant, quelques réglages pourraient être nécessaires pour compenser les différences d'altitude, de température, de carburant et de charge. Si un réglage est nécessaire, communiquez avec le centre/département d'entretien autorisé le plus proche.

POUR RÉGLER LE CARBURATEUR

IMPORTANT: NE TOUCHEZ PAS LE RÉGULATEUR DE MOTEUR. LE CONSTRUCTEUR DE L'ÉQUIPEMENT QUI A MONTÉ LE MOTEUR DÉTERMINE LA VITESSE MAXIMUM HORS CHARGE À LAQUELLE LE MOTEUR DOIT ÊTRE UTILISÉ. NE DÉPASSEZ JAMAIS CETTE VITESSE. CETTE ACTION PEUT ÊTRE DANGEREUSE. SI VOUS PENSEZ QU'UN RÉGLAGE DE LA VITESSE MAXIMUM EST NÉCESSAIRE, ADRESSEZ-VOUS À L'AGENT AGRÉÉ LE PLUS PROCHE DE VOTRE DOMICILE. APPROPRIÉS POUR DES RÉPARATIONS NÉCESSAIRES.

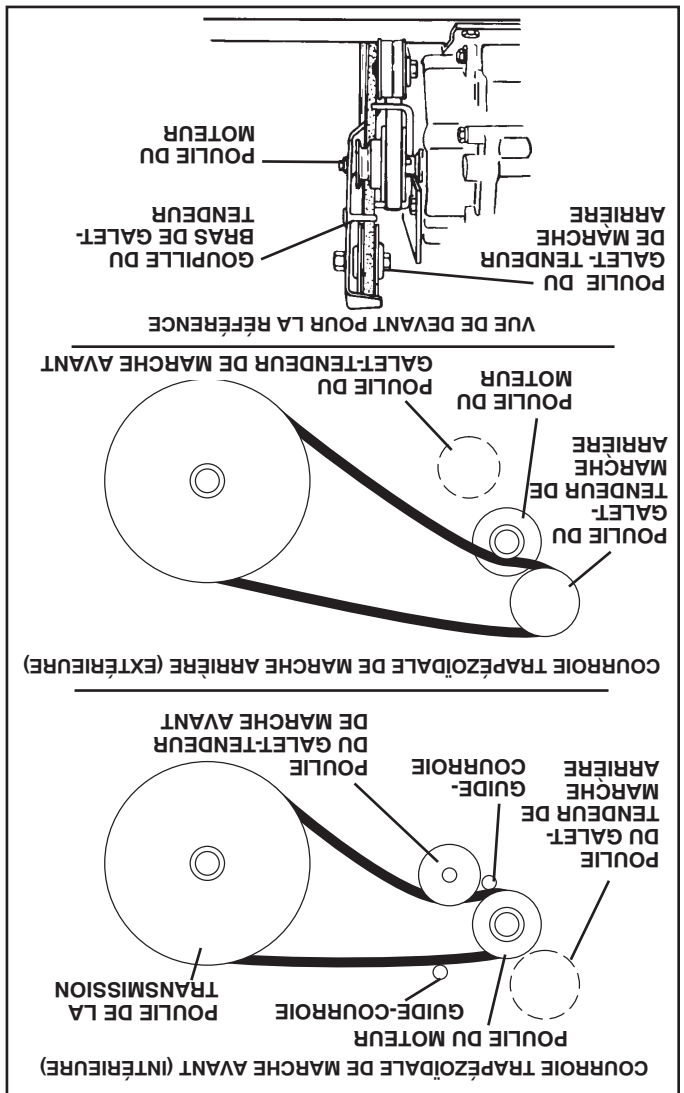


FIG. 21

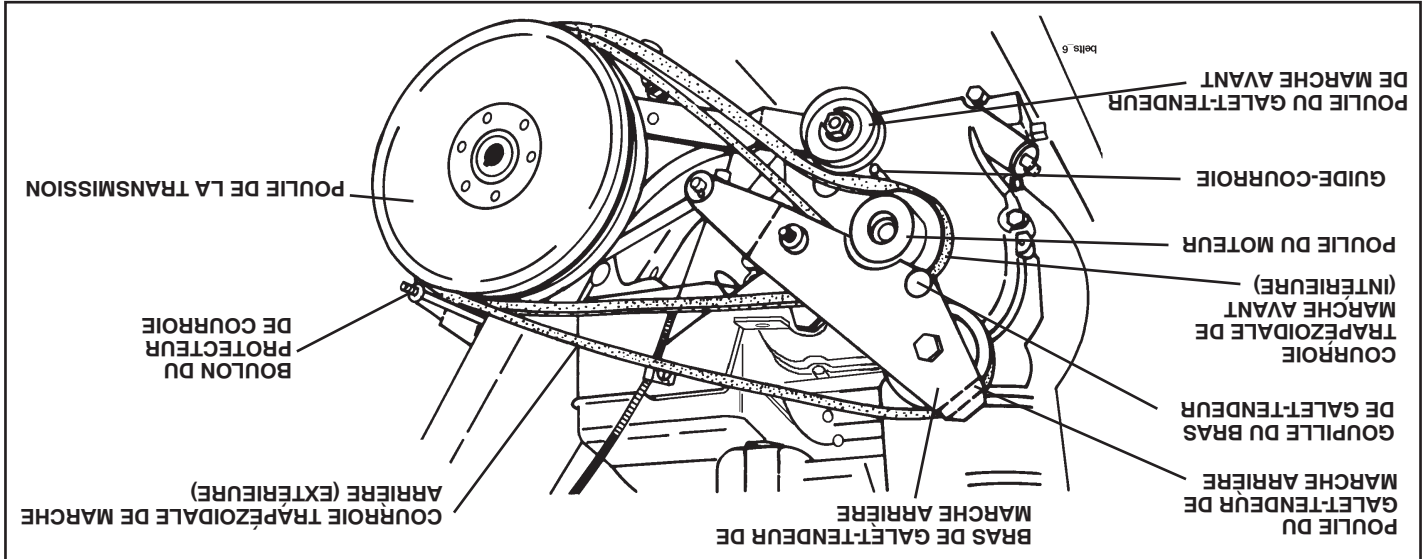


FIG. 22

- Tirez lentement la poignée de démarrage pendant vous que observez les fraises. Les fraises ne doivent pas tourner.
- Si les fraises tournent, le fil intérieur du câble de commande est trop tendu ce qui allonge le ressort intérieur et engage les fraises. Desserrez le collier de serrage du câble et abaissez le câble jusqu'à ce que la tension du ressort soit relâchée. Serrez à fond le collier de serrage du câble.
- Vérifiez encore et réglez si nécessaire (en position "ARRÊT").
- Dernière vérification - position "MARCHÉ"
 - Avec la commande des fraises en position "MARCHÉ" (ON), poussez le guidon vers le bas pour soulever les fraises du sol.
 - Tirez lentement la poignée de démarrage et observez les fraises. Les fraises devraient tourner en avant.
 - Si les fraises ne tournent pas, le fil intérieur du câble de commande est trop lâche. Desserrez le collier de serrage du câble et tirez le câble vers le haut pour enlever le mou et serrez encore le collier.
 - Vérifiez encore et réglez si nécessaire (en position "MARCHÉ").

REMARQUE: Si la vérification en position "MARCHÉ" (ON) demande un réglage, vérifiez encore le réglage en position "ARRÊT" (OFF) pour que les fraises ne tournent pas quand la commande est en position "ARRÊT" (OFF) (haute).

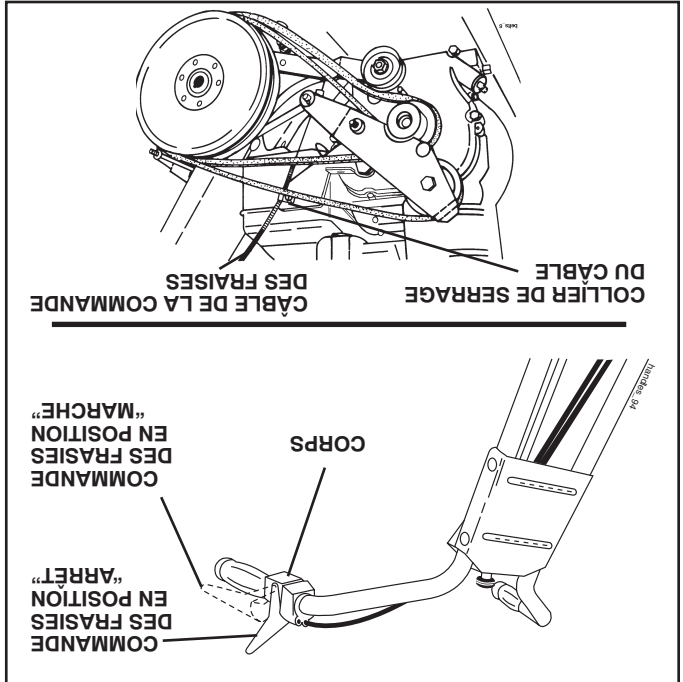


FIG. 19

POUR ENLEVER LE PROTECTEUR DE COURROIE (Voir la fig. 20)

- Enlevez deux (2) écrous borgnes et les rondelles du côté du protecteur de courroie.
- Desserrez (n'enlevez pas) l'écrou du déflecteur de fraise sur le dessous du déflecteur de fraise.
- Tirez le protecteur de courroie loin de la motobineuse.
- Remettez le protecteur de courroie en rinversant les étapes ci-dessus. Assurez-vous que la fente située au fond du protecteur de courroie soit située sous la tête du boulon de déflecteur de fraise et que tous les écrous soient serrés à fond.

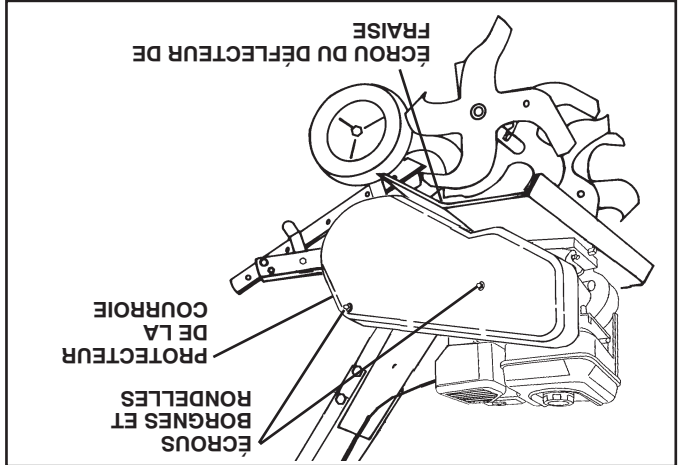


FIG. 20

POUR REMPLACER LA COURROIE TRAPÉZOÏDALE (Voir les fig. 21 et 22)

Le protecteur de courroie doit être enlevé pour entretenir la courroie. Voir la section "POUR ENLEVER LE PROTECTEUR DE COURROIE" dans cette section de ce manuel.

REMARQUE: Avant d'enlever les courroies, notez soigneusement l'acheminement des deux courroies et l'emplacement de tous les guides-courroie.

ENLEVEMENT DE COURROIE

- Enlevez la poulie du galet-tendeur de marche arrière du bras
- Enlevez la courroie trapézoïdale de marche arrière (à l'extérieur).
- Enlevez premièrement la courroie trapézoïdale de marche avant (à l'intérieur) de la poulie de la transmission et ensuite de la poulie du moteur.

REMPLACEMENT DE COURROIE

- Installez la nouvelle courroie trapézoïdale de marche avant (à l'intérieur) sur la poulie du moteur puis sur la poulie de la transmission. Assurez-vous que la courroie soit posée dans la rainure intérieure sur les deux poulies, à l'intérieur de tous les guides-courroie, et qu'elle s'appuie sur la poulie du galet-tendeur.
- Avant d'installer la courroie trapézoïdale de marche arrière (extérieure), retournez la courroie. Tortillez la courroie afin que la surface plate de la courroie soit située à l'intérieur.
- Mettez la courroie trapézoïdale autour de la poulie de galet-tendeur de marche arrière et remontez le galet-tendeur au bras de galet-tendeur. Serrez à fond. Assurez-vous que la courroie soit située entre la poulie du galet-tendeur et la courroie extérieure de la rainure de la poulie de marche arrière et la goupille du bras de galet-tendeur.
- Installez la courroie à la rainure extérieure de la poulie de la transmission. Assurez-vous que la courroie soit située à l'intérieur de tous les guides-courroie et qu'elle s'appuie sur la rainure extérieure de la poulie du moteur.

VÉRIFIER L'UTILISATION DES FRAISES

- Rétendez-vous à la section de "VÉRIFICATION DE L'UTILISATION DES DENTS" dans cette section de ce manuel.

REMPLACER LE PROTECTEUR DE COURROIE

RÉVISION ET RÉGLAGES

ATTENTION: Débranchez le fil de bougie d'allumage et posez-le à un endroit où il ne peut pas toucher la bougie.



MOTOBINEUSE

POUR RÉGLER LA HAUTEUR DU GUIDON

(Voir la fig. 15)

La motobineuse est expédiée avec le guidon dans une position basse. Choisissez la hauteur la plus convenable pour vous et les conditions de labourage. La hauteur sera différente lorsque la motobineuse creuse le sol.

- Si vous désirez une hauteur plus élevée, desserrez les quatre écrous qui fixent le panneau du guidon aux supports de moteur.
- Glissez le panneau à l'emplacement désiré.
- Serrez à fond les quatre écrous.

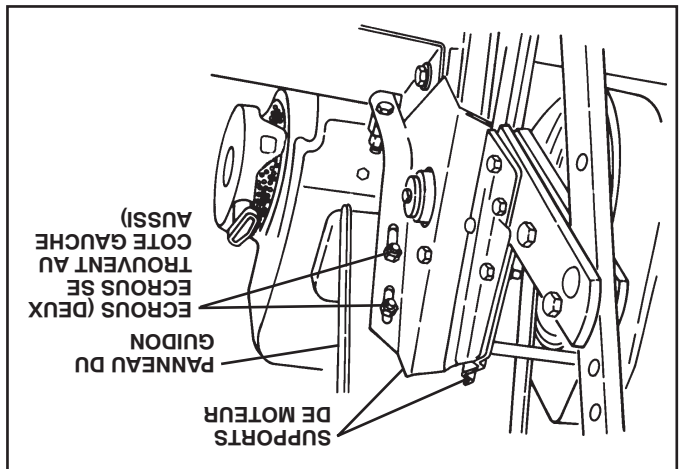


FIG. 15

DISPOSITION DES FRAISES

Les fraises extérieures peuvent être disposées de différentes façons afin de répondre à vos demandes de labourage.

ATTENTION: Les fraises sont tranchantes. Portez des gants ou d'autres protections quand vous touchez aux fraises.



LABOURAGE NORMAL - CHEMIN DE 26"/66 cm

(Voir la fig. 16)

- Montez les trous "A" dans les moyeux de fraise aux trous "B" dans l'arbre de fraise.

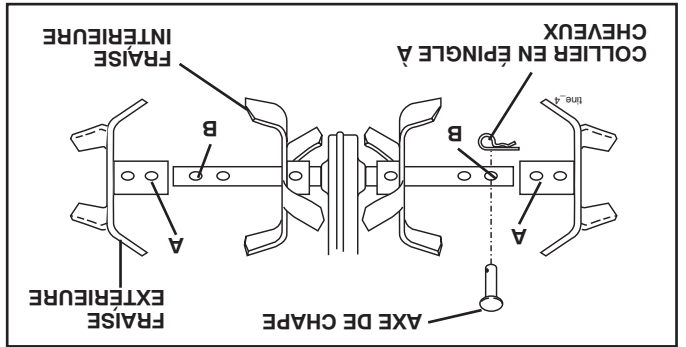


FIG. 16

LABOURAGE DE MOYENNE LARGEUR - CHEMIN DE

24"/61 cm (Voir la fig. 17)

- Montez les trous "A" dans les moyeux de fraise aux trous "C" dans l'arbre de fraise.

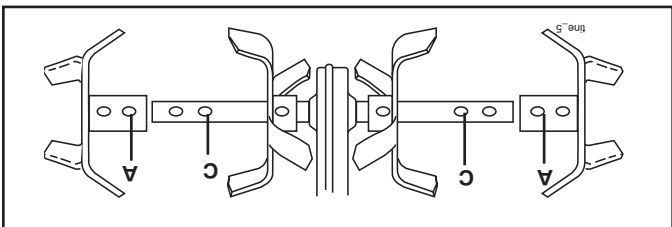


FIG. 17

LABOURAGE/BINAGE ÉTROIT - CHEMIN DE 12,75"/

32 cm (Voir la fig. 18)

- Enlevez les fraise extérieures.

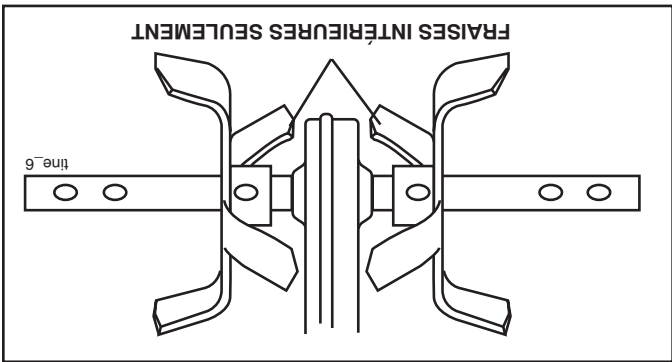


FIG. 18

REMARQUE: Lors de remontage des fraises extérieures, assurez-vous que l'ensemble de la fraise du côté droit de la motobineuse (marqué "R") et l'ensemble de la fraise du côté gauche (marqué de "L") soient montés au bon côté correct de l'arbre de fraise.

VÉRIFICATION DE L'UTILISATION DES FRAISES (Voir la fig. 19)

AVERTISSEMENT: Débranchez toujours le fil de bougie d'allumage pour éviter le démarrage pendant la vérification de l'utilisation des dents.



Pour assurer le bon fonctionnement des fraises, le levier de commande des fraises en marche avant doit être contre le corps de commande et tout le mou doit être enlevé du fil intérieur du câble de commande quand cette commande est à la position "ARRÊT" (OFF) (haute).

Si le levier et le câble sont lâches, relâchez le collier de serrage du câble à l'extrémité intérieure du câble. Tirez le câble vers le haut pour enlever le mou, faites attention que vous n'allongez pas le ressort situé à l'extrémité du câble, et serrez encore le collier de serrage du câble.

DERNIÈRE VÉRIFICATION - POSITION "ARRÊT"

- Avec la commande des fraises en position "ARRÊT" (OFF) (haute), poussez le guidon vers le bas pour soulever des fraises du sol.

ENTRETIEN

SYSTÈME DE REFRIGÉRISSMENT

(Voir la fig. 14)

Votre moteur est refroidi à l'air. Pour un bon fonctionnement du moteur et pour une longue durabilité, maintenez le moteur propre.

- Nettoyez fréquemment le tamis d'air à l'aide d'une brosse à poils raides.
- Enlevez le boîtier de soufflerie et nettoyez-le si nécessaire.
- Conservez les ailettes de cylindre exemptes de saleté et de la balle.

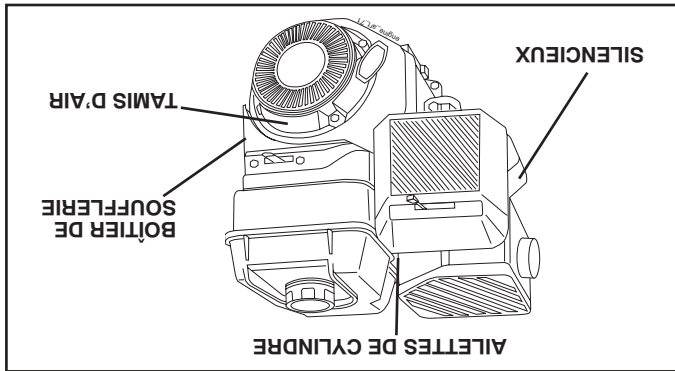


FIG. 14

SILENCIEUX

N'utilisez pas la motobineuse sans silencieux. Ne modifiez pas le système d'échappement. Un silencieux ou un pare-étincelles avarié pose des risques d'incendie. Inspectez-les périodiquement et remplacez-les si nécessaire. Si votre moteur est muni d'un grillage de pare-étincelles, enlevez-le toutes les 50 heures pour le nettoyer et l'inspecter. Remplacez-le s'il est avarié.

BOUGIE D'ALLUMAGE

La bougie d'allumage devrait être changée toutes les 50 heures d'utilisation ou au commencement de la saison de labourage. Le type de la bougie d'allumage et le réglage de l'écart se trouvent dans la section de "SPECIFICATIONS DU PRODUIT".

TRANSMISSION

Votre transmission est scellée et la lubrification n'est pas demandée à moins qu'elle soit réparée.

NETTOYAGE

Ne pas nettoyer la motobineuse si le moteur et la transmission sont encore chauds. Il serait mieux de ne pas utiliser de l'eau pressurisée (tuyau d'arrosage, etc.) afin de nettoyer la machine sauf si la garniture près de la transmission, le silencieux du moteur, le filtre à air et le carburateur sont protégés contre toute pénétration possible d'eau. L'entrée d'eau au niveau du moteur réduit la durée de votre motobineuse.

- Nettoyez le moteur, les roues, la finition, etc. de toutes les matières étrangères.
- Conservez la propreté des roues et des surfaces peintes en enlevant, l'essence, l'huile, etc.
- Protégez les surfaces peintes avec une cire d'auto.



Débranchez le fil de bougie d'allumage avant d'effectuer tout entretien (sauf le réglage du carburateur) pour éviter un démarrage accidentel du moteur.

Évitez les incendies! Maintenez le moteur exempt d'herbe, de feuilles et d'huile ou de carburant répandu. Vidangez le carburant du réservoir avant de pencher la motobineuse pour l'entretien. Nettoyez la surface du silencieux de toute accumulation d'herbe, de saleté et de débris.

Ne touchez pas à un silencieux chaud ou à des ailettes chaudes de cylindre puisque le contact peut causer des brûlures.

MOTEUR

LUBRIFICATION

Utilisez seulement l'huile détergente de qualité supérieure cotée SG-SL par le service API. Choisissez le degré de viscosité SAE de l'huile selon la température prévue.

DEGRÉ DE VISCOSITÉ SAE

TABLEAU DES TEMPÉRATURES	
F	C
100	-30
80	-20
60	-10
40	0
32	10
30	20
30	30
30	40

SAE 30 ← → 5W-30

oil_visc.chart1_f

FIG. 11

REMARQUE: Bien que les huiles de multi-viscosité (5W30, 10W30 etc.) améliorent le démarrage par temps froid, leur consommation augmente à plus de 0°C. Vérifiez le niveau d'huile plus fréquemment pour éviter l'avarie du moteur lors de l'utilisation avec un niveau d'huile bas.

Changez l'huile tous les 50 heures d'opération ou au moins une fois par an si la motobineuse est utilisée moins de 50 heures.

Vérifiez le niveau l'huile du carter avant de démarrer le moteur et ensuite toutes les cinq (5) heures en cas d'utilisation continue. Ajoutez l'huile moteur SAE 30 ou une huile correspondante. Serrez le bouchon d'huile à chaque fois que vous vérifiez le niveau l'huile.

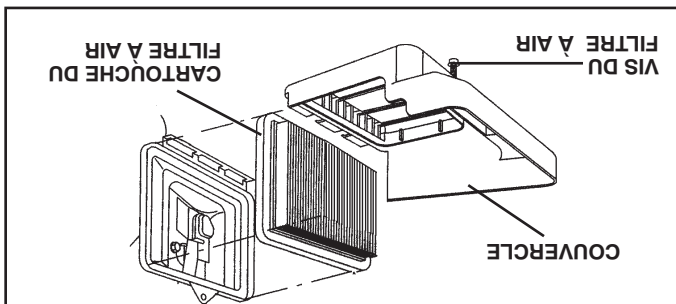
POUR REMPLACER D'HUILE MOTEUR

(Voir la fig. 11 et 12)

Vérifiez la gamme de température prévue avant le prochain remplacement de l'huile. Toutes les huiles doivent rencontrer la classification de service API SG-SL.

- Vérifiez si la motobineuse soit stationnée sur un terrain plat.
- L'huile se vidangera plus facilement si elle est chaude.
- Recueillez l'huile dans un récipient approprié.
- Enlevez le bouchon de vidange.
- Penchez en avant la motobineuse pour vidanger l'huile.
- Lorsque la vidange est complète, remettez le bouchon de vidange l'huile et serrez à fond.
- Enlevez le bouchon de remplissage l'huile. Ne laissez pas de saletés entrer dans le moteur.
- Remplissez le moteur avec l'huile. Voir la section "REMPLEIR LE MOTEUR D'HUILE" dans la section utilisation de ce manuel.

FIG. 13



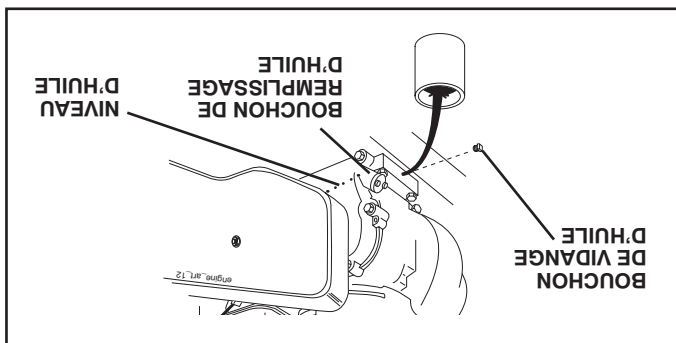
ATTENTION: Les solvants de pétrole, tels que le kérosène, ne doivent pas être utilisés pour nettoyer la cartouche. Ils risquent la détérioration de la cartouche. Ne mettez pas d'huile sur la cartouche. N'utilisez pas d'air comprimé pour nettoyer ou sécher la cartouche.



- Desserrez les vis du filtre à air, une sur chaque côté du couvercle.
- Enlevez le couvercle du filtre à air.
- Enlevez soigneusement la cartouche de filtre à air. Faites attention. Ne laissez pas de saletés ou de débris entrer dans le carburateur.
- Nettoyez en la frappant légèrement sur une surface plate. Si elle est très sale ou avariée, remplacez la cartouche.
- Nettoyez et remettez le couvercle. Serrez à fond les vis.

FILTRE À AIR (Voir la fig. 13)

FIG. 12



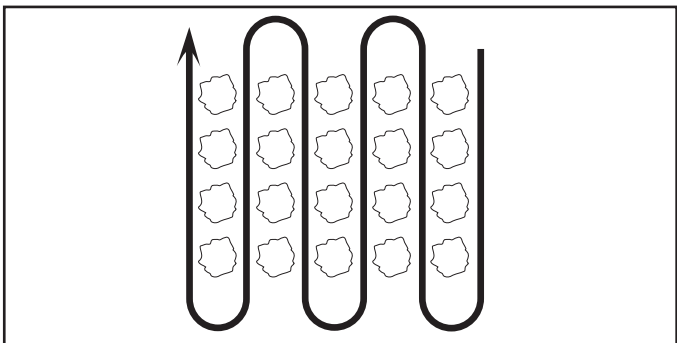


FIG. 10

La culture est un labourage peu profond entre les rangs pour arracher les mauvaises herbes et les empêcher de priver les plantes d'humidité et d'aliments. De plus, travailler la couche supérieure de la terre contribuera à la conservation de l'humidité. La meilleure profondeur de binage se situe entre 1 à 3 pouces (2,5 à 7,5 cm).

- Il ne sera pas nécessaire probablement d'utiliser la jauge de profondeur. Commencez en penchant en avant la jauge jusqu'à ce qu'elle soit tenue par le ressort de jauge.
- Coupez le long des rangs à une vitesse qui permettra aux fraises de déraciner les mauvaises herbes et de laisser la terre à l'état bruyant pour que les mauvaises herbes n'y repoussent plus (Voir la fig. 10).

CULTURE

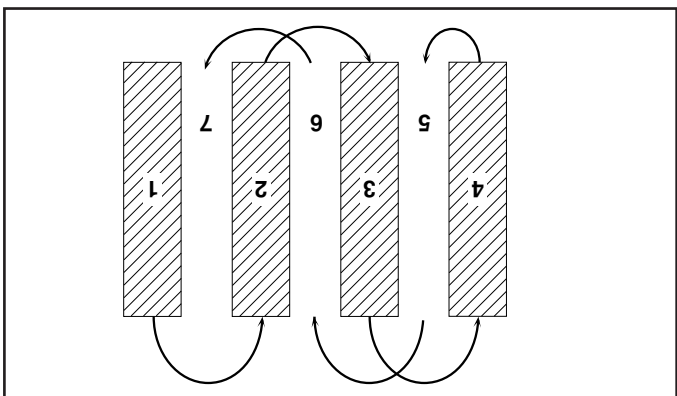


FIG. 9

L'état du sol est importantes. Les fraises pénétreront pas facilement une terre sèche et dure qui peut contribuer aux redondissements exagérés et à un maniement difficile de votre motobineuse. Une terre dure devrait être humidifiée avant le labourage, et une terre extrêmement mouillée formera des boules ou des mottes durant le labourage. Attendez jusqu'à ce que la terre soit moins mouillée afin d'obtenir les meilleurs résultats. Lorsque le labourage se fait à l'automne, enlevez les vignes et les longues herbes pour empêcher celles-ci de s'enrouler autour de l'arbre des fraises et ralentir le labourage.

- Vous trouverez le labourage beaucoup plus facile si vous laissez un rang non bêché entre les sillons. Puis retournez entre les sillons (Voir la fig. 9). Il y a deux raisons pour faire ceci. Premièrement, des virages larges sont beaucoup plus faciles à prendre que des demi-tours. Deuxièmement, la motobineuse ne vous entraînera pas vers le rang plus proche.
- Mettez la hauteur de la jauge de profondeur et les roues en position pour labourage peu profond lorsque la terre est extrêmement dure. Travaillez ensuite les premiers sillons en perpendiculaire à une profondeur normale.

Soulevez légèrement les poignées (levant ainsi la jauge de profondeur de la terre) pour aider la motobineuse à avancer. Appuyez sur les poignées pour ralentir la motobineuse. S'il faut faire un effort ou si la motobineuse tremble, les roues et la jauge de profondeur NE sont PAS correctement ancrées dans la terre à labourer. Vous arrivez à un réglage correct de la jauge et des roues par des essais et selon l'état de la terre. Si la terre est dure ou mouillée, la vitesse du moteur et des fraises sera lente. Dans ces conditions, la motobineuse sautera sur le sol. Le labourage est le creusage, le retournage et l'effritement de la terre duci avant l'ensemencement. Une terre déliée favorise la croissance des racines. La meilleure profondeur de labourage est de 4 à 6 po. (10 à 15 cm). Une motobineuse aide aussi à enlever les mauvaises herbes. La décomposition de ces mauvaises herbes enrichit le sol. Cependant du climat (pluie et vent) il peut être préférable de labourer la terre à la fin d'une saison de récolte pour mieux conditionner de la terre.

- Laissez réchauffer le moteur pendant quelques minutes avant d'engager les fraises.
- Le mélange de carburant peut exiger un réglage à une altitudes supérieure à 914,4 mètres (3000 pi.) ou à une température inférieure à 32°F/0°C. Voir "POUR REGLER LE CARBURATEUR" dans la section de Révision et Réglages de ce manuel.
- REMARQUE: Si le moteur ne démarre pas, voir le guide de dépannage.

ATTENTION: Utilisez la motobineuse avec la commande des gaz en position lente "SLOW" jusqu'à ce que vous soyez habitué.

CONSEILS DE LABOURAGE

Assouplissez la courroie, les poulies et la commande des fraises avant de commencer le labourage.

- Démarez le moteur, appuyez sur les poignées pour soulever les fraises du sol. Engagez la commande des fraises pour les faire tourner. Laissez tourner les fraises pendant cinq minutes.
- Vérifiez le fonctionnement des fraises et réglez si nécessaire. Référez "VERIFICATION D'UTILISATION DES FRAISES" dans la section de Révision et Réglages de ce manuel.

RODAGE DE LA MOTOBINEUSE

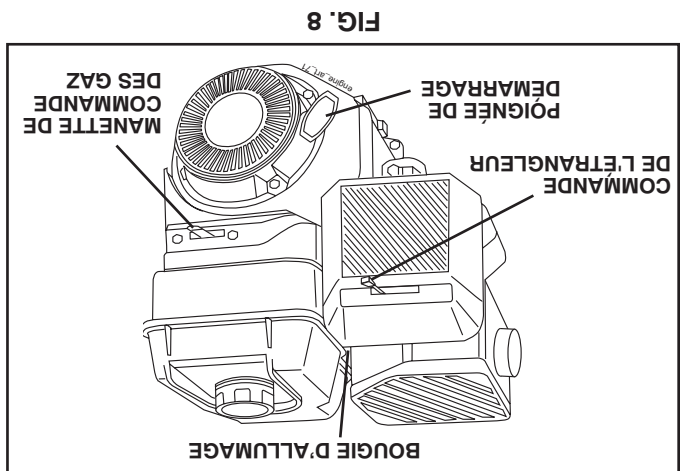


FIG. 8

Le démarrage du carburant peut exiger un réglage à une altitudes supérieure à 914,4 mètres (3000 pi.) ou à une température inférieure à 32°F/0°C. Voir "POUR REGLER LE CARBURATEUR" dans la section de Révision et Réglages de ce manuel.

- REMARQUE: Si le moteur ne démarre pas, voir le guide de dépannage.

UTILISATION

EN VILLE

- Débranchez le fil de bougie d'allumage.
- Vidangez le réservoir d'essence.
- Ne penchez pas la motobineuse sur le côté pendant le transport afin d'éviter une fuite d'huile.

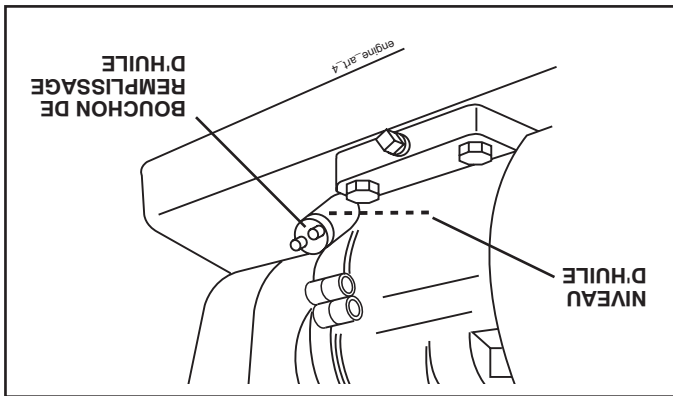
AVANT DE DÉMARRER LE MOTEUR

IMPORTANT: FAITES ATTENTION DE NE PAS PERMETTRE QUE DES CONTAMINANTS ENTRENT DANS LE MOTEUR LORSQUE VOUS FAITES LA VÉRIFICATION, OU LE REMPLISSAGE DE L'HUILE OU DU CARBURANT. UTILISEZ DE L'HUILE ET DU CARBURANT PROPRES, COUVERTS QUI ONT ÉTÉ APPROUVÉS. UTILISEZ DES ENTONNOIRS PROPRES.

REMPLIR LE MOTEUR D'HUILE

(Voir la fig. 7)

- Enlevez l'étiquette du moteur.
- Avec le moteur nivelé, enlevez le bouchon de remplissage d'huile.
- Remplissez le moteur avec de l'huile jusqu'au point de débordement. Voir la section "SPECIFICATIONS DE PRODUIT" pour obtenir la capacité approximative à la page 3 de ce manuel.
- Inclinez la motobineuse vers l'arrière sur ses roues et remettez-la à niveau.
- Avec le moteur à niveau, remplissez jusqu'au point de débordement si nécessaire. Remplacez le bouchon de remplissage d'huile.
- Pour un démarrage facile pendant l'hiver, on devrait remplacer l'huile. (Voir le tableau de viscosité d'huile dans la section de l'huile, voir la section de l'entretien de ce manuel.)
- Pour remplacer l'huile, voir la section de l'entretien de ce manuel.



REMPLIR LE RÉSERVOIR D'ESSENCE

- Remplissez le réservoir d'essence. Remplissez le réservoir d'essence jusqu'au fond de son goulot de remplissage. N'en mettez pas trop. Utilisez de l'essence sans plomb, régulière, fraîche, et propre avec un indice d'octane au moins 87. (L'utilisation d'essence sans plomb tend à réduire les dépôts de calamine et d'oxyde de plomb et prolonge la vie des soupapes). Ne mélangez pas l'huile avec l'essence. Pour que l'essence utilisée soit fraîche, achetez des quantités qui peuvent être utilisées dans les trente jours suivant l'achat.

ATTENTION: Remplissez jusqu'à 1/2 pouce (12,5 mm) du haut du réservoir d'essence pour éviter les risques de débordement et pour permettre l'expansion du carburant. En cas d'un débordement d'essence accidentel, éloignez la motobineuse. Évitez de créer toute source d'incendie jusqu'à la disparition des vapeurs d'essence. N'en mettez pas trop.

Essayez toujours l'huile ou l'essence renversée. Vous ne devez jamais emmagasiner, répandre ou utiliser de l'essence près d'une flamme nue.

IMPORTANT: POUR ASSURER UN BON DÉMARRAGE PAR TEMPS FROID (SOUS LES 32°F/0°C), VOUS DEVEZ UTILISER DE L'ESSENCE FRAÎCHE, PROPRE, ET SPÉCIALE D'HIVER.

ATTENTION: L'expérience indique que les combustibles mélangés avec l'alcool (gâchés gaseol ou utilisant l'éthanol ou le méthanol) peuvent attirer l'humidité qui cause la séparation et la formation d'acide pendant l'entreposage. Le gaz acide peut avaler le système d'essence d'un moteur pendant l'entreposage. Pour éviter les problèmes de moteur, le système d'essence doit être vidangé avant tout l'entreposage de 30 jours ou plus. Vidangez le réservoir d'essence, démarrez le moteur et laissez-le fonctionner jusqu'à ce que les conduites de combustible et le carburateur soient vides. Utilisez de l'essence fraîche la saison suivante. Reportez-vous aux instructions sur l'entreposage pour les autres renseignements. N'utilisez jamais de produits de nettoyage de moteur ou de carburateur dans le réservoir d'essence sinon des dommages permanents pourraient être causés.

POUR DÉMARRER LE MOTEUR

(Voir la fig. 8)

ATTENTION: Lors du démarrage du moteur, maintenez la commande des fraises en position arrêt (OFF).

- Quand vous démarrez le moteur pour la première fois ou si le moteur n'a plus d'essence, il sera nécessaire de tirer plusieurs fois la poignée de démarrage pour que l'essence passe du réservoir au moteur.
- Assurez-vous que le fil de la bougie d'allumage soit correctement branché.
- Mettez la commande des gaz en position rapide (FAST).
- Déplacez la commande de l'étrangleur à la position "CHOKER". Saisissez la poignée de démarrage avec une main et avec l'autre, le manche de la motobineuse. Tirez lentement la corde jusqu'à ce que le moteur commence le cycle de compression (la corde résistera légèrement à ce moment).
- Tirez rapidement la poignée de démarrage. Ne laissez pas la poignée de démarrage revenir brusquement contre le démarreur. Répétez si nécessaire.
- Si le moteur s'allume mais ne démarre pas, bougez la commande de l'étrangleur à demi-position. Tirez de la poignée de démarrage jusqu'à ce que le moteur démarre. Quand le moteur démarre, déplacez lentement la manette de l'étrangleur à la position marche (RUN) comme le moteur s'échauffe.

REMARQUE: Un moteur chaud demande moins d'étrangement pour démarrer. Déplacez la commande des gaz à la position de marche désirée.

UTILISATION

L'utilisation d'une motobineuse présente le risque de la projection des particules dans les yeux, ce qui peut causer des blessures sérieuses. Portez toujours des lunettes de sécurité ou une visière avant de démarrer la motobineuse et lorsque vous labourez. Nous recommandons une visière de sécurité panoramique pour ceux qui portent des lunettes ou des lunettes de sécurité standard.



COMMENT UTILISER VOTRE MOTO-

BINEUSE

Assurez-vous de connaître toutes les commandes avant d'ajouter l'essence, l'huile ou avant de démarrer le moteur.

ARRÊT (voir la fig. 5)

FRAISES

- Relâchez la commande des fraises pour arrêter le mouvement.
- Relâchez la commande des fraises marche arrière pour arrêter le mouvement.

MOTEUR

- Déplacez la commande des gaz à la position "ARRÊT" ("STOP").
- N'utilisez jamais l'entrangleur pour arrêter le moteur.

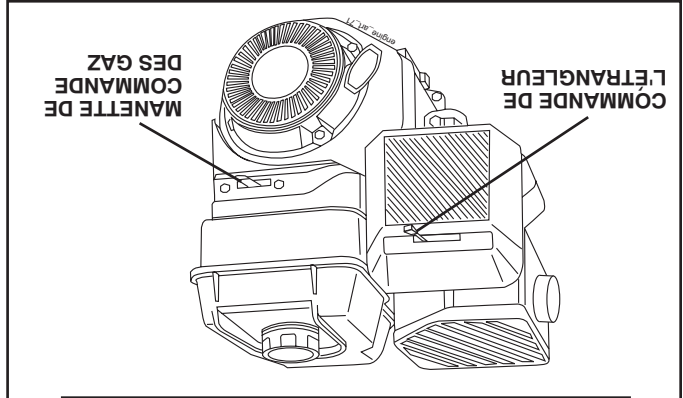
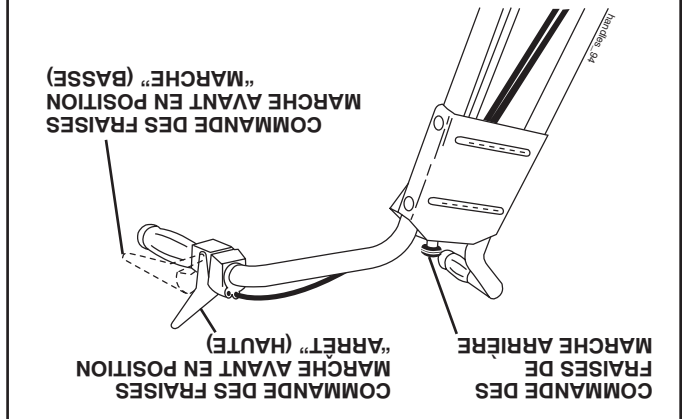


FIG. 5

UTILISATION DES FRAISES (voir la fig. 5)

MARCHÉ AVANT

- Serrez la commande des fraises de marche avant jusqu'à ce qu'elle touche la poignée.

MARCHÉ ARRIÈRE

- Avec la commande des fraises de marche avant à la position "ARRÊT" (haute), tirez vers l'arrière et tenez la commande des fraises de marche arrière.

LABOURAGE

La vitesse de motobineuse et la profondeur de labourage sont réglées par l'emplacement de la jauge de profondeur et la hauteur des roues. La jauge de profondeur devrait toujours être sous les roues pour bêcher. Mettez la jauge sert de frein pour ralentir la motobineuse et permettre aux fraises de pénétrer la terre. Plus la jauge est basse, plus le labour est profond.

JAUGE DE PROFONDEUR (voir la fig. 6)

Pour régler la jauge, enlevez le collier en épingle à cheveux et l'axe de chape. Mettez la jauge de profondeur à la position désirée. Remettez ensuite le collier en épingle à cheveux et l'axe de chape. Réglez la jauge de profondeur au deuxième ou troisième trou en partant du haut pour un labourage normal.

ROUES (voir la fig. 6)

Réglez les roues en enlevant le collier en épingle à cheveux et l'axe de chape. Changez la position des roues. Remettez le collier en épingle à cheveux et l'axe de chape. Réglez les roues au deuxième ou troisième trou du haut pour un labourage normal.

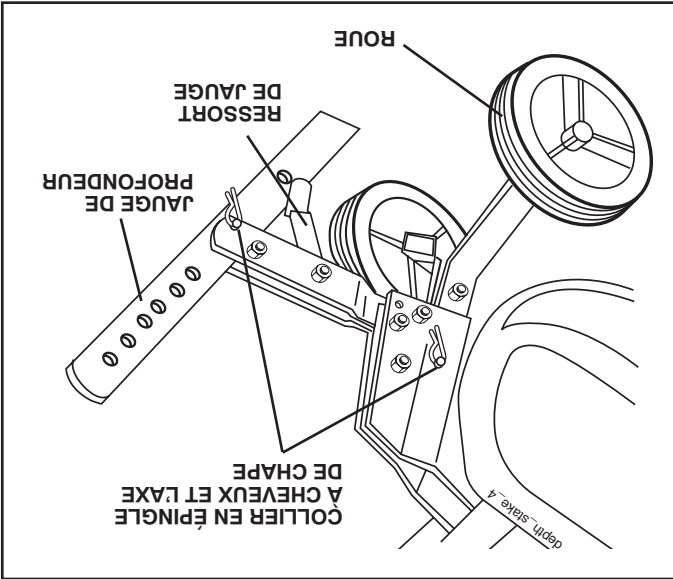


FIG. 6

POUR TRANSPORTER

ATTENTION: Laissez refroidir le moteur et le débrancher avant de soulever ou transporter. Vidangez l'essence du réservoir.



DANS LA COUR

- Penchez la jauge de profondeur vers le devant jusqu'à ce qu'elle soit maintenue par le ressort de jauge.
- Appuyez sur les poignées pour soulever les fraises du sol. Poussez ou tirez la motobineuse jusqu'à l'endroit désiré.

UTILISATION

CONNAISSEZ VOTRE MOTOBINEUSE

LISEZ CE MANUEL DU PROPRIÉTAIRE ET LES RÈGLES DE SÉCURITÉ AVANT D'UTILISER VOTRE MOTOBINEUSE.

Comparez les illustrations à votre motobineuse pour connaître les positions des différentes commandes et les différents réglages. Conservez ce manuel.

Ces symboles peuvent figurer sur votre motobineuse ou dans les publications fournies avec le produit. Apprenez et comprenez la signification des symboles.

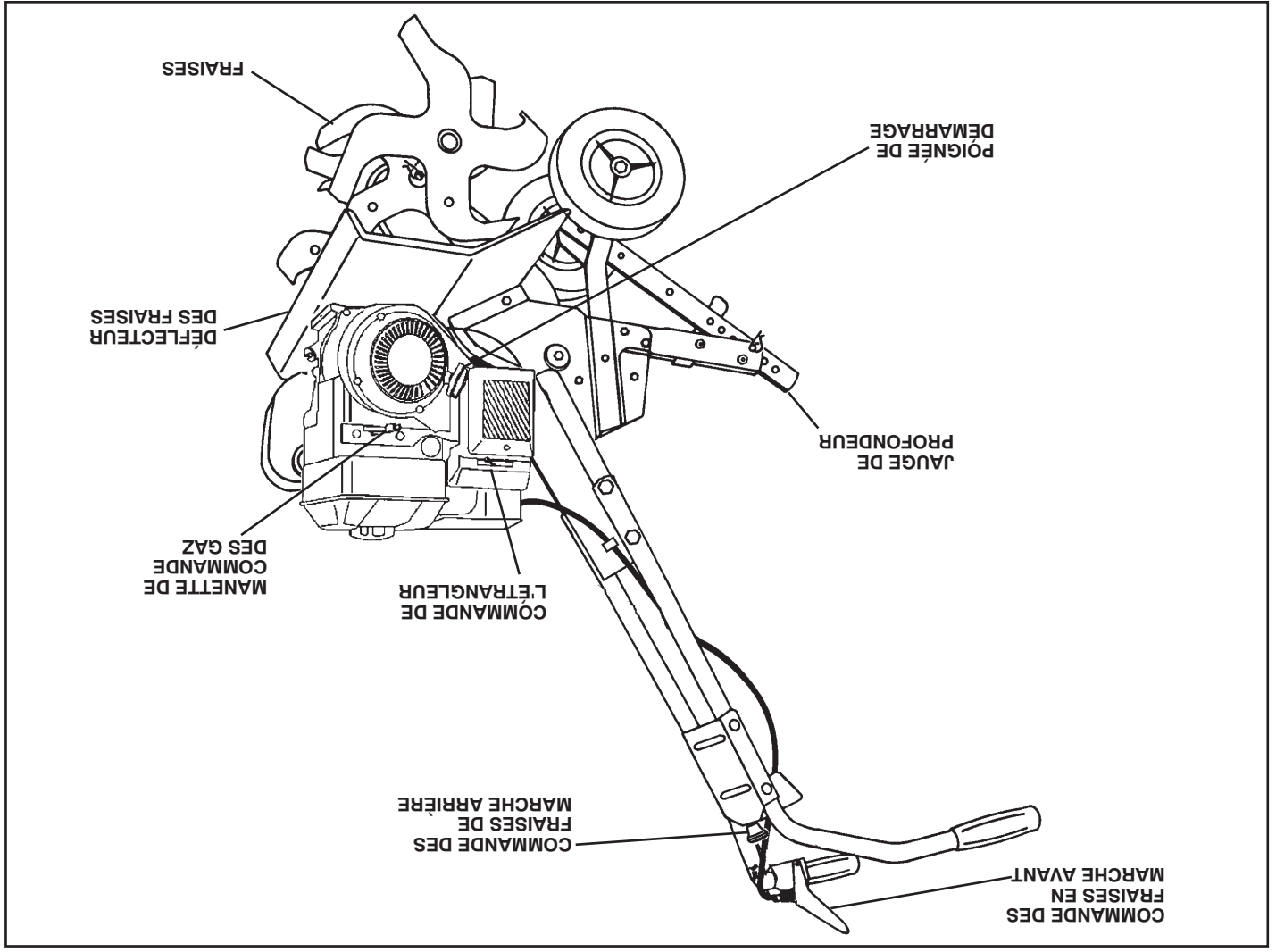
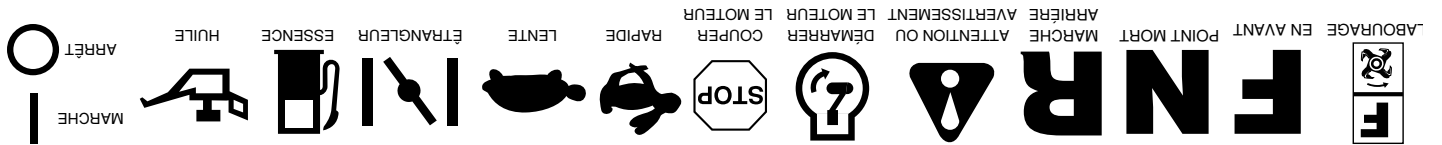


FIG. 4

Cette motobineuse sont conformes aux normes de sécurité standard du "American National Standards Institute".

COMMANDE DES FRAISES EN MARCHÉ AVANT - permet d'engager les fraises vers l'avant.
JUGE DE PROFONDEUR - commande la vitesse la profondeur auquel la motobineuse bêche.
POIGNÉE DE DÉMARRAGE - permet de démarrer le moteur.

COMMANDE DES FRAISES DE MARCHÉ ARRIÈRE - permet de engager les fraises vers l'arrière.
COMMANDE DE L'ÉTRANGLEUR - employé pour démarrer un moteur froid.
MANETTE DE COMMANDE DES GAZ - permet de commander la vitesse de moteur.

MONTAGE

DÉBALLER ET INSTALLER LE MANCHE

(Voir la fig. 2)



ATTENTION: Faites attention aux agrafes du carton.

IMPORTANT: LORSQUE VOUS DÉBALLER OU MONTEZ LA MOTOBINEUSE, NE PAS ETIRER OU ENTORTILLER LE(S) CÂBLE(S).

- Coupez les attaches qui fixent le manche.
- Le guidon peut être monté dans la position haute ou basse. Doucement levez l'ensemble du guidon en haut et alignez les trous du guidon avec le trou et la fente du panneau du guidon.
- Lâchement montez la quincaillerie comme montré. Assurez-vous que le boulon H "1" le plus long soit monté dans le trou inférieur du guidon. Répétez le même procédure dans l'autre côté. Serrez toute la quincaillerie à fond.
- **REMARQUE:** Les câbles ne doivent pas toucher le silencieux.
- Coupez les attaches qui retiennent motobineuse sur la palette. Enlevez la motobineuse de la palette en tirant en arrière.
- Enlevez la vis de fixation du goujon de profondeur pour faire glisser et éliminer la vis.

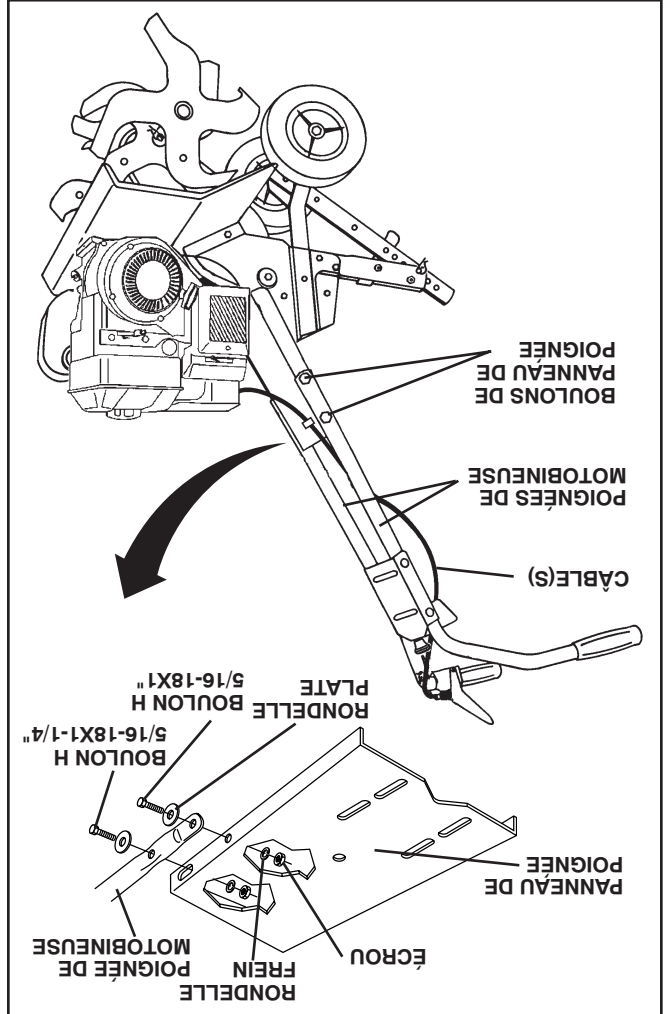


FIG. 2

INSTALLER L'ENSEMBLE DE LA JUGE DE PROFONDEUR (Voir la fig. 3)

- Desserrez écrou "A".
- Insérez le soutien de tasseau de profondeur entre les moitiés de supports du moteur en orientant le ressort de tasseau vers le fond.
- Montez le soutien de tasseau de profondeur aux supports du moteur à l'aide des 5/16 x 1-1/4" boulons, des rondelles frein et des écrous. Serrez à fond. Serrez aussi l'écrou "A".
- Le tasseau de profondeur doit bouger librement. S'il ne bouge pas, desserrez le boulon de soutien.

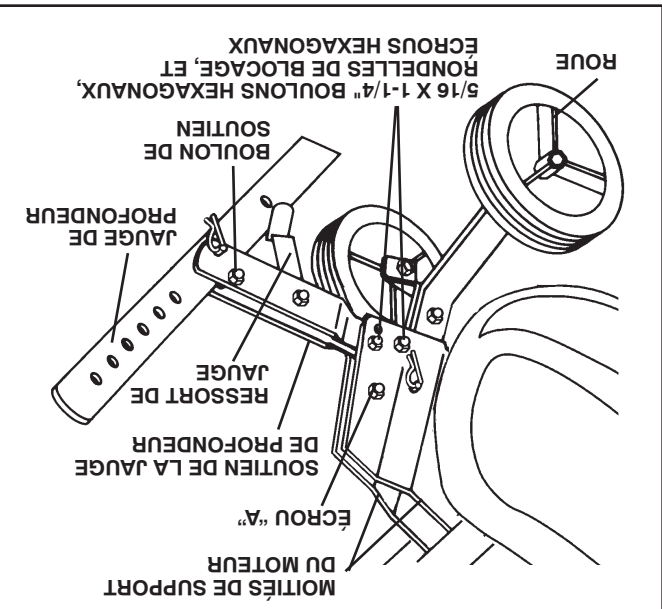


FIG. 3

HAUTEUR DE POIGNÉE

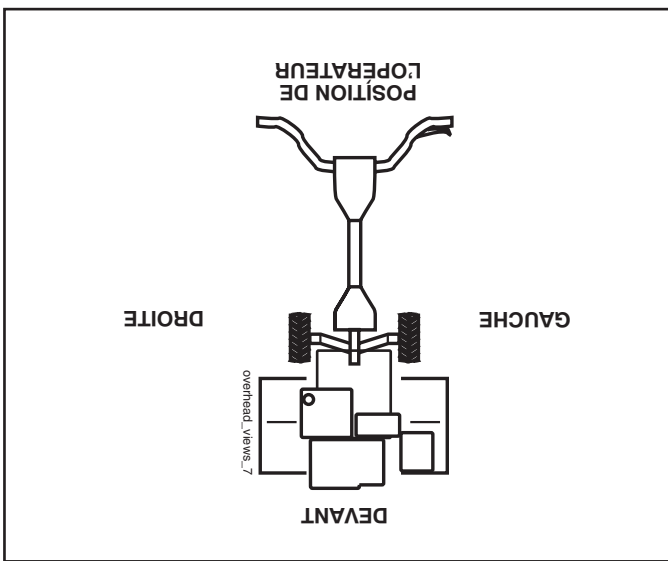
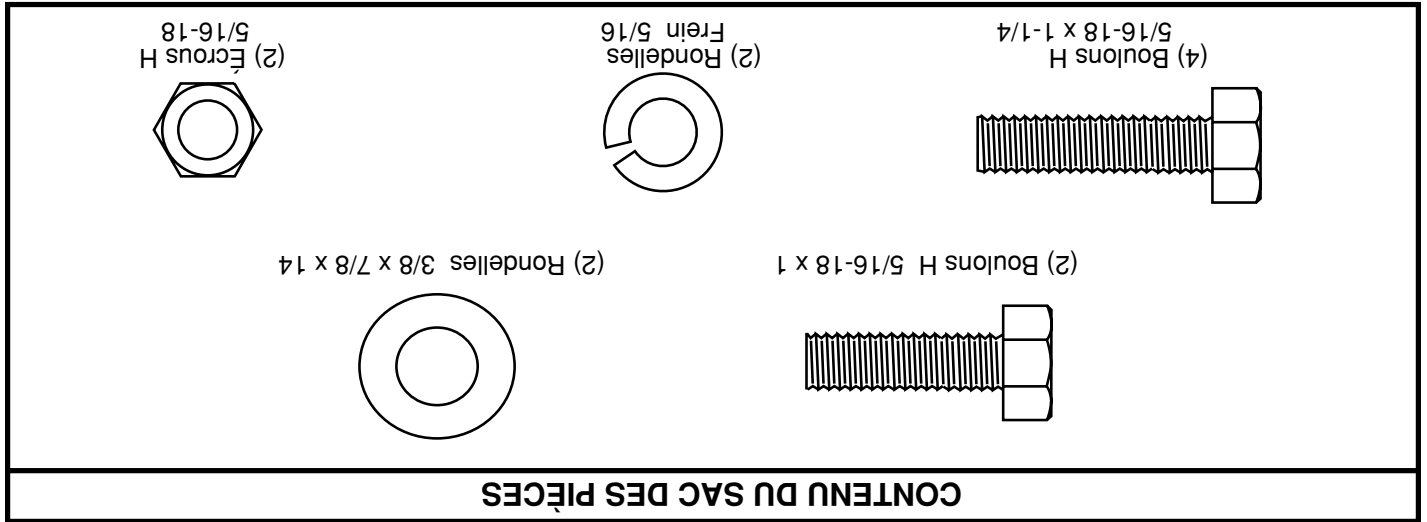
- La hauteur de poignée peut être réglée à une position convenable à l'opérateur. (Référez-vous à "HAUTEUR DE POIGNÉE" dans la section de Révision et Réglages de ce manuel.)

LARGEUR DU LABOURAGE

- La largeur peut être réglée pour vos demandes de labourage. (Référez-vous à "DISPOSITION DES DENTS" dans la section de Révision et Réglages de ce manuel.)

UTILISATION DES DENTS

- Avant le premier usage de votre motobineuse, vérifiez l'utilisation des dents. (Référez-vous à "VERIFICATION DE L'UTILISATION DE DENT" dans la section de Révision et Réglages de ce manuel.)



POSITION D'OPERATEUR (Voir la fig. 1)
 Quand on utilise l'expression "droite" ou "gauche", l'utilisateur est en position derrière le guidon.

LES OUTILS EXIGES POUR LE MONTAGE
 Un jeu des clés à douille facilitera l'assemblage. Les dimensions normales des clés sont indiquées:
 (1) Couteau à tout usage
 (1) Tournevis
 (1) Pince
 (2) Clés de 1/2"

Votre nouvelle motobineuse a été montée à l'usine sans certaines pièces en vue de l'expédition. Pour s'assurer d'une utilisation correcte et sûre de votre motobineuse, toutes les pièces et ferrures que vous assemblez doivent être serrées à fond. Utilisez les bons outils.

MONTAGE

2	RÈGLES DE SÉCURITÉ
3	RESPONSABILITÉS DU CLIENT
3	SPÉCIFICATIONS DU PRODUIT
4-5	MONTAGE
6-9	UTILISATION
10	CALENDRIER D'ENTRETIEN

10-12	ENTRETIEN
12-14	REVISION ET RÉGLAGES
15	ENTREPOSAGE
16	GUIDE DE DÉPANNAGE
17	GARANTIE

SOMMAIRE

FÉLICITATIONS pour votre achat d'une motobineuse. Elle a été conçue, perfectionnée et fabriquée pour assurer un bon fonctionnement et la fiabilité maximale.

En cas d'un problème que vous ne pouvez pas résoudre, contactez le centre d'entretien autorisé le plus proche. Vous y trouverez les techniciens qualifiés et les outils appropriés pour l'entretien et la réparation de cette machine.

Veillez lire et conserver ce manuel. Les instructions qu'il contient vous permettront de monter, et d'entretenir correctement votre motobineuse. Observez toujours les "RÈGLES DE SÉCURITÉ".

Capacité et type 2,8 L (3 Qts. de Gallon)	L'essence sans plomb normale
Type d'huile(API-SG-SL): SAE30 (à plus de 0°C/32°F) 5W-30 (à moins de 0°C/32°F)	Capacité d'huile:21 oz. (0,6 L)
Bougie d'allumage: Champion RC12YC	(Ecart: 0,030 po/0,762 mm)

SPÉCIFICATIONS DU PRODUIT

RESPONSABILITÉS DU CLIENT

- Lisez et faites attention aux règles de sécurité.
- Suivez un programme régulier d'entretien, de soin, et d'utilisation de la motobineuse.
- Suivez les instructions dans les sections des "Entretien" et d'Entreposage de ce manuel du propriétaire.

IMPORTANT: CETTE MACHINE EST MUNIE D'UN MOTEUR À COMBUSTION INTERNE ET NE DEVRAIT PAS ÊTRE UTILISÉE SUR OU PRÈS D'UN TERRAIN COUVERT D'ARBRES, D'ARRISSSEAUX, OU D'HERBE SI LE SYSTÈME D'ÉCHAPPEMENT N'EST PAS MUNI D'UN PARE-ÉTINCELLES RENCONTRANT LES EXIGENCES DES LOIS LOCALES APPLICABLES. QUAND UN PARE-ÉTINCELLES EST UTILISÉ, IL DEVRAIT ÊTRE MAINTENU EN BON FONCTIONNEMENT PAR L'OPÉRATEUR.

VOIR LE CENTRE D'ENTRETIEN AUTORISÉ LE PLUS PRÈS POUR LE PARE-ÉTINCELLES. LE NUMÉRO DE PIÈCE FIGURE DANS LA SECTION PIÈCES.

RÈGLES DE SÉCURITÉ

Conseils pour l'utilisation en toute Sécurité des Motobineuses



- N'utilisez jamais votre motobineuse sans les déflecteurs, les plaques de protection, ou les autres dispositifs de sécurité en place.

Eloignez les enfants et les animaux domestiques.

Ne labourez pas trop profondément à grande vitesse. Vous surchargez la capacité productive de la motobineuse.

Ne laissez jamais la motobineuse à grande vitesse quand la surface est glissante. Regardez en arrière et soyez prudent en reculant.

Ne laissez personne près de la motobineuse lorsque vous l'utilisez.

N'utilisez pas les accessoires qui ne sont pas recommandés par le fabricant.

Utilisez la motobineuse seulement avec la lumière naturelle ou artificielle suffisante.

Faites attention quand vous labourez de la terre dure. Les fraises peuvent s'accrocher dans la terre et pousser la motobineuse en avant. Dans ce cas, relâchez les poignées et ne retenez pas la machine.

ENTRETIEN ET ENTREPOSAGE:

Conservez la motobineuse et les accessoires en bon fonctionnement.

Vérifiez fréquemment que tous les boulons de cisaillement, les boulons de montage de moteur, et les autres boulons sont correctement serrés.

N'entreposez jamais à l'intérieur d'un bâtiment une motobineuse avec de l'essence dans le réservoir. Les vapeurs d'essence en provenance du réservoir peuvent s'enflammer au contact d'une flamme nue ou des appareils tels que chauffe-eau, radiateurs etc. Laissez refroidir le moteur avant de l'entreposer.

Consultez toujours le manuel du propriétaire pour les directives importantes quand la motobineuse doit être entreposée longtemps.

- IMPORTANT -

ATTENTION, IMPORTANT, ET REMARQUE SONT UN MOYEN D'ATTIRER VOTRE ATTENTION SUR DE L'INFORMATION IMPORTANTE DANS CE MANUEL.

IMPORTANT: CE SYMBOLE ATTIRE VOTRE ATTENTION SUR LES RISQUES DE DOMMAGES À L'ÉQUIPEMENT

REMARQUE: CE MOT ATTIRE VOTRE ATTENTION SUR LA COMPRÉHENSION, L'INTÉGRATION OU L'EXECUTION D'INSTRUCTIONS.

Ce symbole signale les points importants en matière de sécurité. Il signifie - ATTENTION !!!, SOYEZ PRUDENT !!! EST EN JEU.



ATTENTION: Débranchez toujours le fil de bougie d'allumage et pour prévenir les démarrages accidentels, posez-le de telle façon qu'il ne puisse pas entrer en contact avec la bougie d'allumage lors de l'installation, du transport, des ajustements ou des réparations.



FORMATION:

- Lisez soigneusement ce manuel du propriétaire. Familiarisez-vous avec les commandes pour apprendre à utiliser efficacement votre motobineuse. Apprenez comment l'arrêter rapidement.
- N'autorisez jamais les enfants à utiliser votre motobineuse. Ne permettez pas que les adultes l'utilisent s'ils n'ont pas reçu les instructions nécessaires.
- Eloignez de la surface d'utilisation les animaux et les personnes et en particulier les petits enfants.

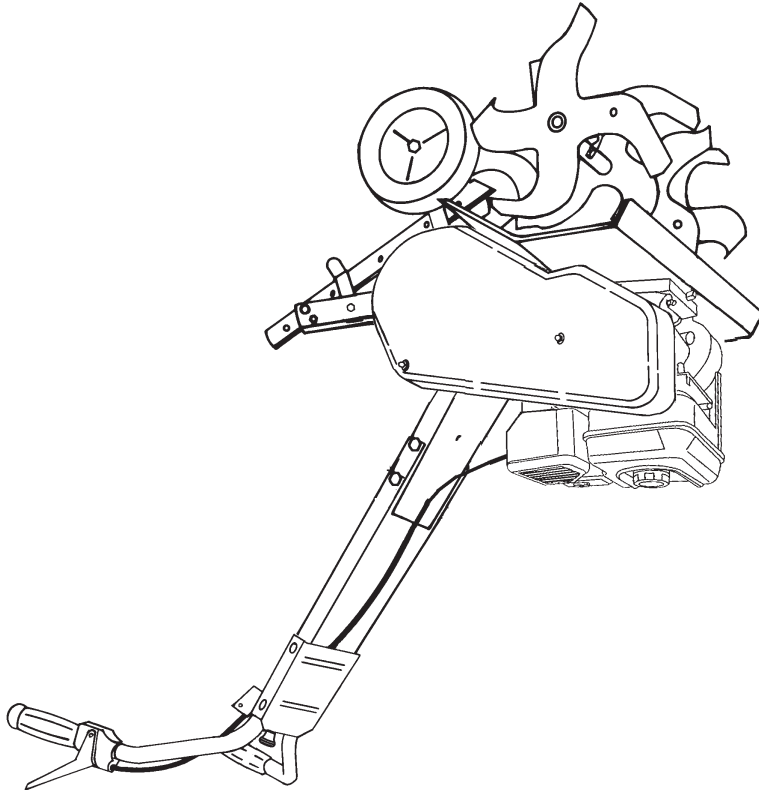
PRÉPARATION:

- Vérifiez systématiquement et soigneusement le terrain et enlevez tous les objets étrangers.
- Débrayez tous les embrayages et mettez la transmission en position point mort avant de démarrer le moteur.
- Habituez-vous avec des vêtements pratiques. Portez uniquement des chaussures solides ayant une bonne traction.
- Soyez particulièrement prudent lors de manipulation d'essence; elle est inflammable.
- Utilisez un récipient d'essence approuvé.
- N'ajoutez jamais d'essence quand le moteur fonctionne et laissez refroidir le moteur avant de remplir le réservoir.
- Remplissez le réservoir d'essence à l'extérieur. Ne remplissez jamais le réservoir à l'intérieur d'un bâtiment.
- Remettez le bouchon de réservoir d'essence et essuyez l'essence renversée avant de redémarrer le moteur.
- Utilisez les cordons prolongateurs et les prises femelle selon les spécifications du fabricant pour toute machine à moteur électrique (entraînément ou démarrage électrique).
- Ne tentez jamais de faire des réglages quand le moteur fonctionne (sauf quand un réglage est recommandé explicitement par le fabricant).

UTILISATION:

- Ne mettez pas les mains ou les pieds à proximité ou sous les parties mobiles.
- Faites attention lorsque vous traversez des allées, des chemins, les routes et toutes les surfaces couvertes de graviers. Ne transportez jamais des passagers.
- Si vous heurtez un objet étranger, arrêtez immédiatement le moteur. Débranchez le câble de bougie d'allumage et inspectez la motobineuse, puis réparez tous les dommages avant de redémarrer.
- Faites attention pour éviter de glisser ou tomber.
- N'utilisez pas votre motobineuse si elle vibre anormalement. Arrêtez le moteur, recherchez la cause des vibrations. Des vibrations excessives sont les manifestations d'un problème technique.
- Coupez le moteur quand vous quittez la position d'utilisation.
- Prenez toutes les précautions possibles quand vous laissez la motobineuse sans surveillance. Dégagez les fraises, mettez le levier de changement de vitesse à la position point mort, et coupez le moteur.
- Avant de nettoyer, d'inspecter, ou de réparer votre motobineuse, coupez le moteur et assurez-vous que toutes les parties mobiles soient arrêtées. Ensuite, débranchez le câble de bougie d'allumage et maintenez-le au loin de la bougie pour éviter le démarrage accidentel du moteur. Débranchez le cordon d'alimentation sur les moteurs électriques.
- Ne démarrez pas le moteur à l'intérieur d'un bâtiment. Les gaz d'échappement sont dangereux.

Poulan PRO



MANUEL DU OPÉRATEUR

MODÈLE:
HDF825X
MOTOBINEUSE
À FRAISE AVANT

Lisez soigneusement le manuel
suivez tous les avertissements et les
instructions de sécurité. Les blessures
sérieuses peuvent en résulter si
vous ne lisez pas ces avertissements
et instructions de sécurité.

AVERTISSEMENT:

Portez toujours des lunettes de sécurité lors de l'utilisation.

Visitez notre site web: www.poulan-pro.com

Free Manuals Download Website

<http://myh66.com>

<http://usermanuals.us>

<http://www.somanuals.com>

<http://www.4manuals.cc>

<http://www.manual-lib.com>

<http://www.404manual.com>

<http://www.luxmanual.com>

<http://aubethermostatmanual.com>

Golf course search by state

<http://golfingnear.com>

Email search by domain

<http://emailbydomain.com>

Auto manuals search

<http://auto.somanuals.com>

TV manuals search

<http://tv.somanuals.com>