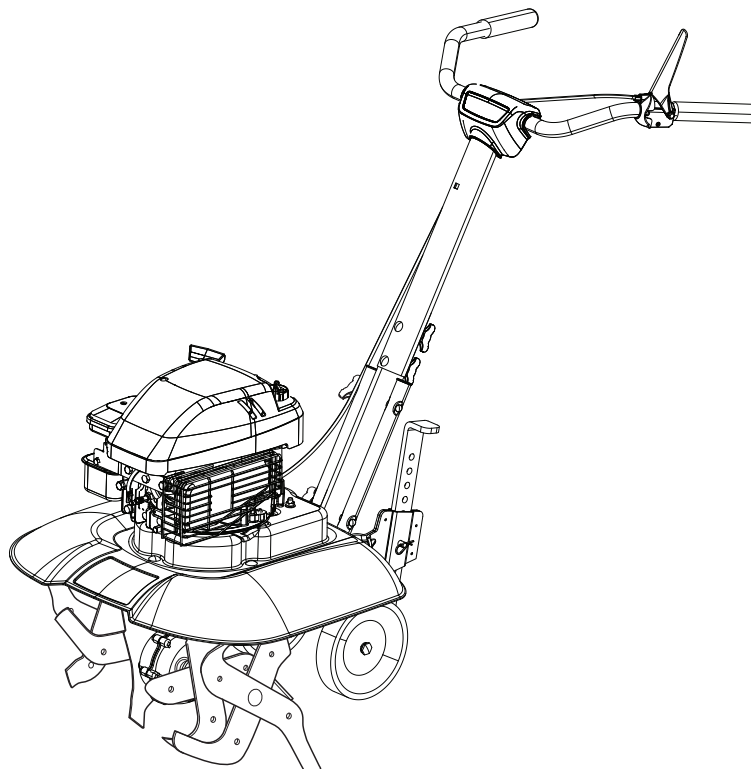


# Poulan



## ILLUSTRATED PARTS LIST

**MODEL:**

**VF550**

**FRONT TINE TILLER**

**ALWAYS WEAR EYE PROTECTION DURING OPERATION**

Visit our website: [www.poulan.com](http://www.poulan.com)

**⚠ WARNING:**

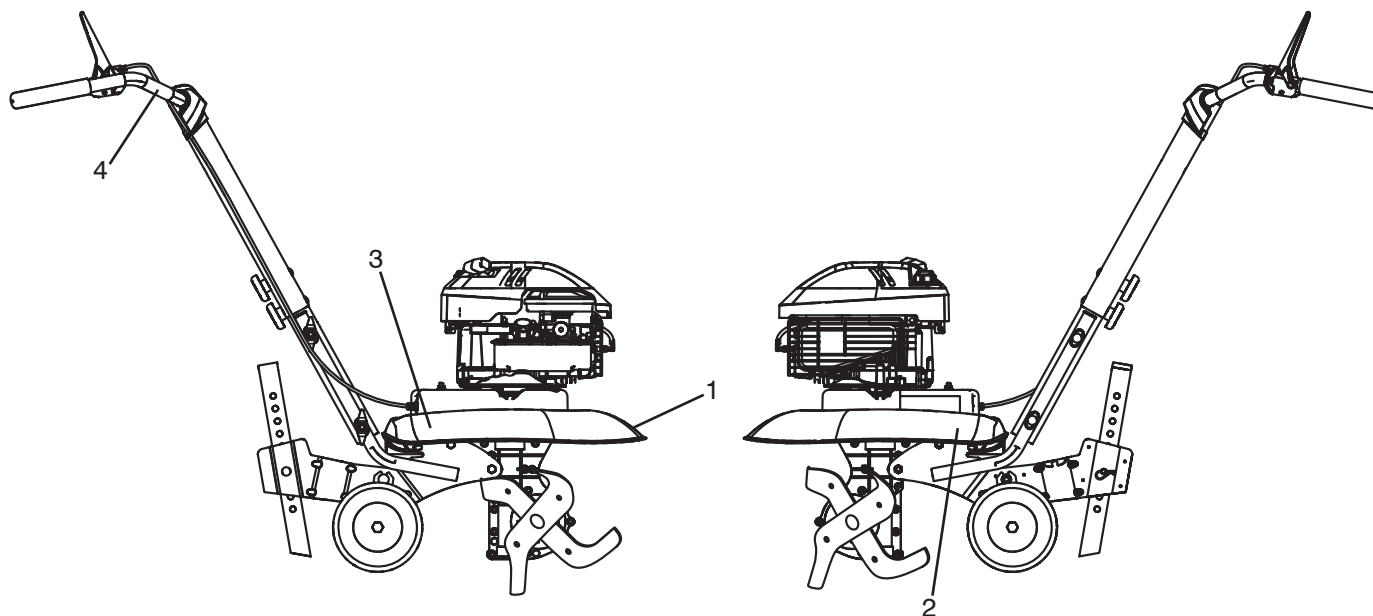
Read this Manual and follow all Warnings and Safety Instructions. Failure to do so can result in serious injury.

532 43 99-79

12.21.10 CL  
Printed in the U.S.A.

# TILLER - - MODEL NUMBER VF550 (96082001501)

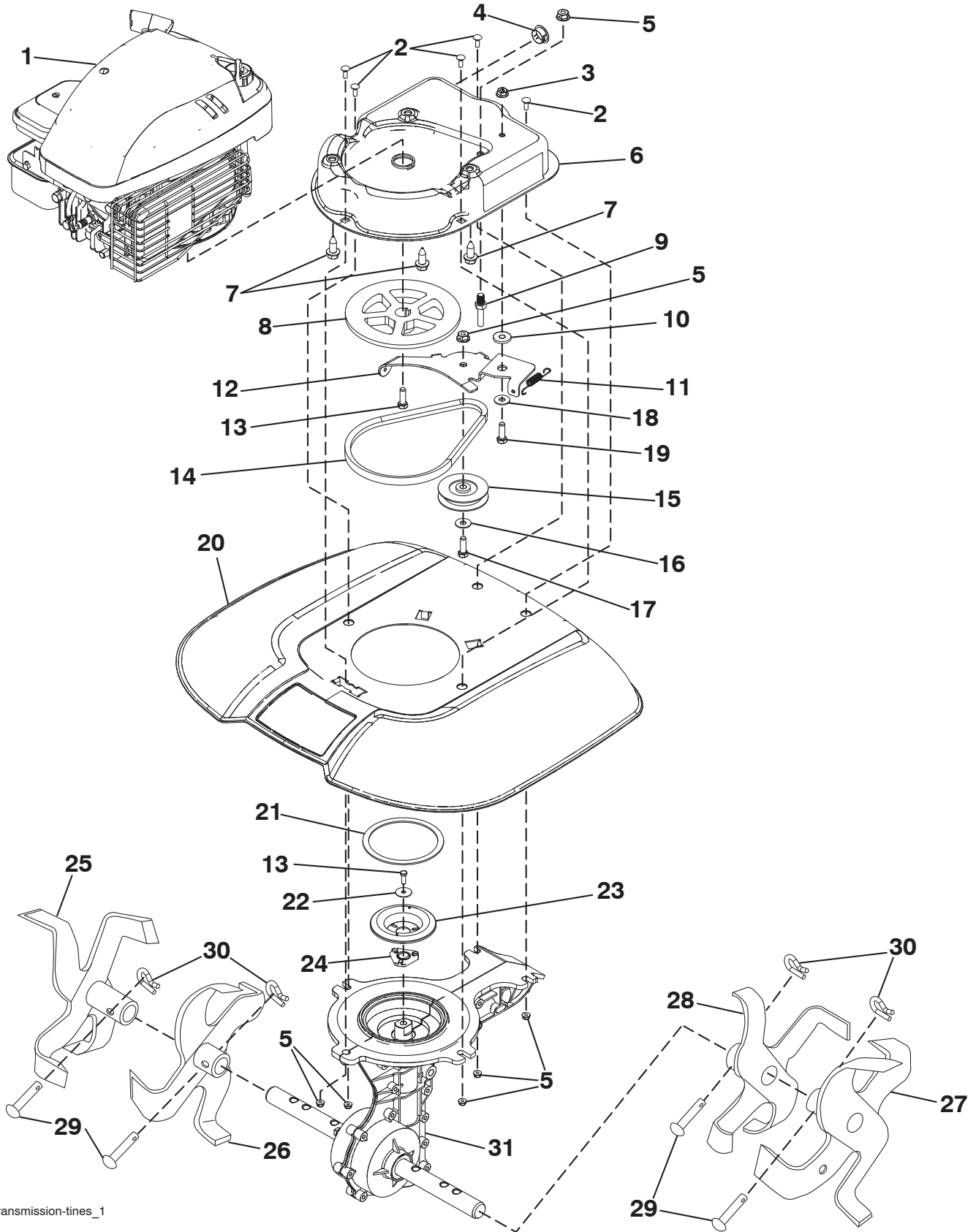
## DECALS



KEY PART NO.	PART NO.	DESCRIPTION
1	532 43 00-07	Decal, Tine, Shield, Poulan
2	532 42 29-72	Decal, Tine, Shield, Warning
3	532 12 00-76	Decal, Warning, Rotating Tines
4	532 11 06-14	Decal, Hand Placement
--	532 43 99-79	Manual, Owner's (Eng/Fren)

# TILLER - - MODEL NUMBER VF550 (96082001501)

## ENGINE, TRANSMISSION, AND TINES



engine-transmission-tines\_1

# TILLER - - MODEL NUMBER VF550 (96082001501)

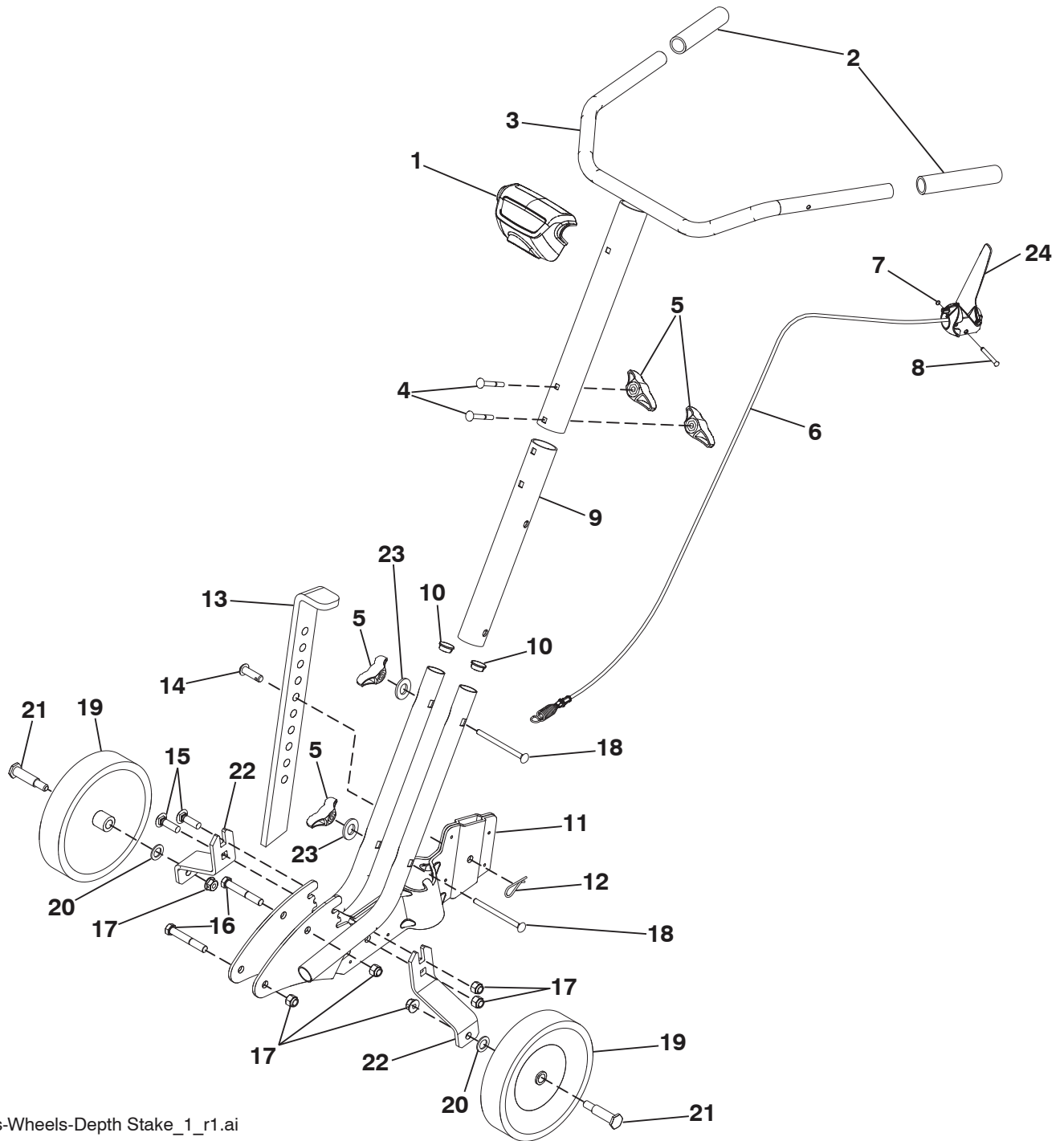
## ENGINE, TRANSMISSION, AND TINES

KEY NO.	PART NO.	DESCRIPTION
1	---	Engine B & S Model No. 10T802-1390-BI
2	872 11 06-08	Bolt Carriage 3/8 - 16 x 1
3	873 90 05-00	Nut Lock Flg 5/16 -18 unc
4	532 42 53-98	Plug Snap In
5	873 90 06-00	Nut Lock Flg 3/8 - 16 unc
6	532 43 54-71	Shroud Till Clutch
7	817 00 06-16	Screw 3/8 - 16 x 1-1/2
8	532 42 13-35	Sheave Upper
9	432 42 13-41	Stud Belt Guard
10	532 17 53-31	Bushing Pivot
11	532 42 13-73	Spring Return
12	532 42 13-39	Bracket Idler
13	874 61 06-16	Bolt Hex 3/8 - 24 x 1
14	532 42 13-79	Belt Drive
15	532 42 13-78	Pulley Idler
16	819 13 14-16	Washer 13/32 x 7/8 x 16 Ga.
17	874 78 06-20	Bolt 3/8 - 16 x 1.25
18	532 13 39-44	Washer .328 x 1.375 x 0.055
19	874 76 05-14	Bolt Fin Hex 5/16-18 x 7/8
20	532 43 62-81	Shield Tine
21	532 42 13-40	Seal Foam
22	819 41 35-24	Washer 13/32 x 1-1/2 x 11 Ga.
23	532 42 13-36	Sheave Lower
24	532 42 13-34	Coupling Clutch
25	532 15 69-26	Tine Outer RH
26	532 15 69-24	Tine Inner RH
27	532 15 69-25	Tine Outer LH
28	532 15 69-23	Tine Inner LH
29	532 04 92-90	Pin Clevis
30	532 12 46-60	Retainer Spring Zinc
31	532 42 53-99	Transmission

**NOTE:** All component dimensions given in U.S. inches.  
1 inch = 25.4 mm

# TILLER - - MODEL NUMBER VF550 (96082001501)

## HANDLE, WHEEL, AND DEPTH STAKE



Handles-Wheels-Depth Stake\_1\_r1.ai

# TILLER - - MODEL NUMBER VF550 (96082001501)

## HANDLE, WHEEL, AND DEPTH STAKE

KEY NO.	PART NO.	DESCRIPTION
1	532 43 62-80	Console Tiller Handle
2	532 16 57-87	Grip Handle
3	532 43 13-32	Assembly Handle Column
4	872 01 05-20	Bolt 5/16 - 18 x 2.50
5	532 19 19-38	Knob Wing
6	532 42 50-91	Lever Control Tine
7	812 00 00-59	Retainer Ring
8	532 43 17-62	Pin Pivot
9	532 42 41-90	Handle Lower
10	532 42 53-98	Plug Snap In
11	532 43 25-21	Weldment Transport Arm
12	532 12 49-61	Clip Hairpin
13	532 42 13-42	Stake Depth
14	532 00 32-60	Pin Clevis
15	872 11 06-10	Bolt 3/8 - 16 x 1-1/4
16	874 78 06-40	Screw Hex Head 3/8 - 16 x 2.5
17	873 90 06-00	Nut Lock Flg 3/8 - 16 unc
18	872 14 05-36	Bolt 5/16 - 18 x 4.5
19	532 40 38-59	Wheel
20	819 17 14-16	Washer 17/32 x 7/8 x 16 Ga.
21	532 12 11-17	Bolt Shoulder "A" 2.28 " B" 1.53
22	532 42 13-45	Bracket Wheel
23	819 11 12-16	Washer 11/32 x 3/4 x 16 Ga.
24	532 43 49-48	Lever Control

**NOTE:** All component dimensions given in U.S. inches.  
1 inch = 25.4 mm

# Poulan

## PARTS AND SERVICE

This product has been expertly engineered and carefully manufactured to rigid quality standards. As with all mechanical products, some adjustments or part replacement may be necessary during the life of your unit.

For Parts and service, contact our authorized distributor: call 1-800-849-1297

- For replacement parts, have available the following information:
  - a. Model Number/Manufacturer's I.D. Number
  - b. Description of part.

For Technical Assistance: call 1-800-829-5886

For a Parts Manual, go to our website: [www.poulan.com/support.asp](http://www.poulan.com/support.asp)

**NOTE:** HOP provides parts and service through its authorized distributors and dealers; therefore, all requests for parts and service should be directed to your local dealer(s). The philosophy of HOP is to continually improve all of its products. If the operating characteristics or the appearance of your product differs from those described in this Manual, please contact your local dealer for updated information and assistance.

## Free Manuals Download Website

<http://myh66.com>

<http://usermanuals.us>

<http://www.somanuals.com>

<http://www.4manuals.cc>

<http://www.manual-lib.com>

<http://www.404manual.com>

<http://www.luxmanual.com>

<http://aubethermostatmanual.com>

Golf course search by state

<http://golfingnear.com>

Email search by domain

<http://emailbydomain.com>

Auto manuals search

<http://auto.somanuals.com>

TV manuals search

<http://tv.somanuals.com>