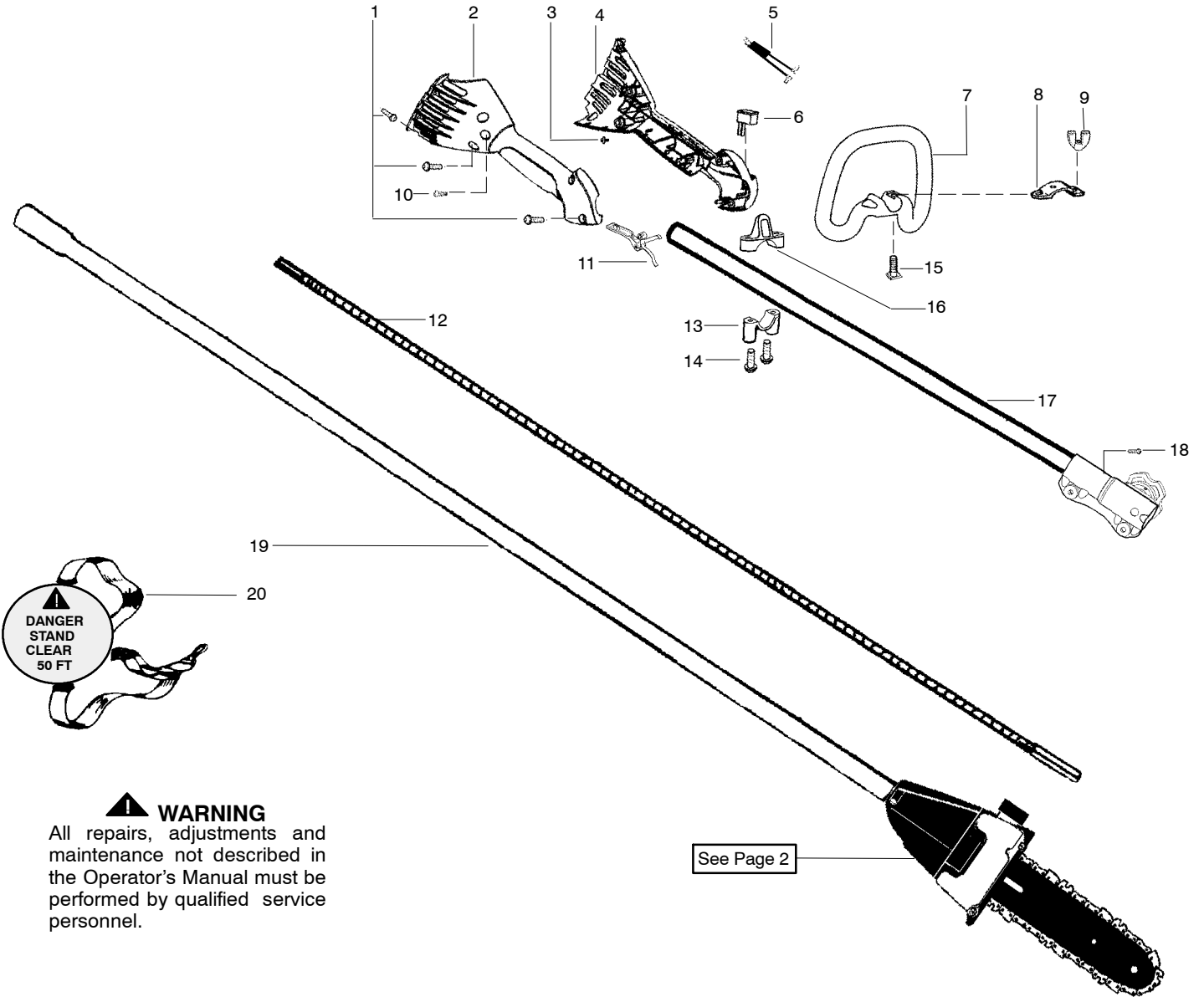


## TYPE 1,2



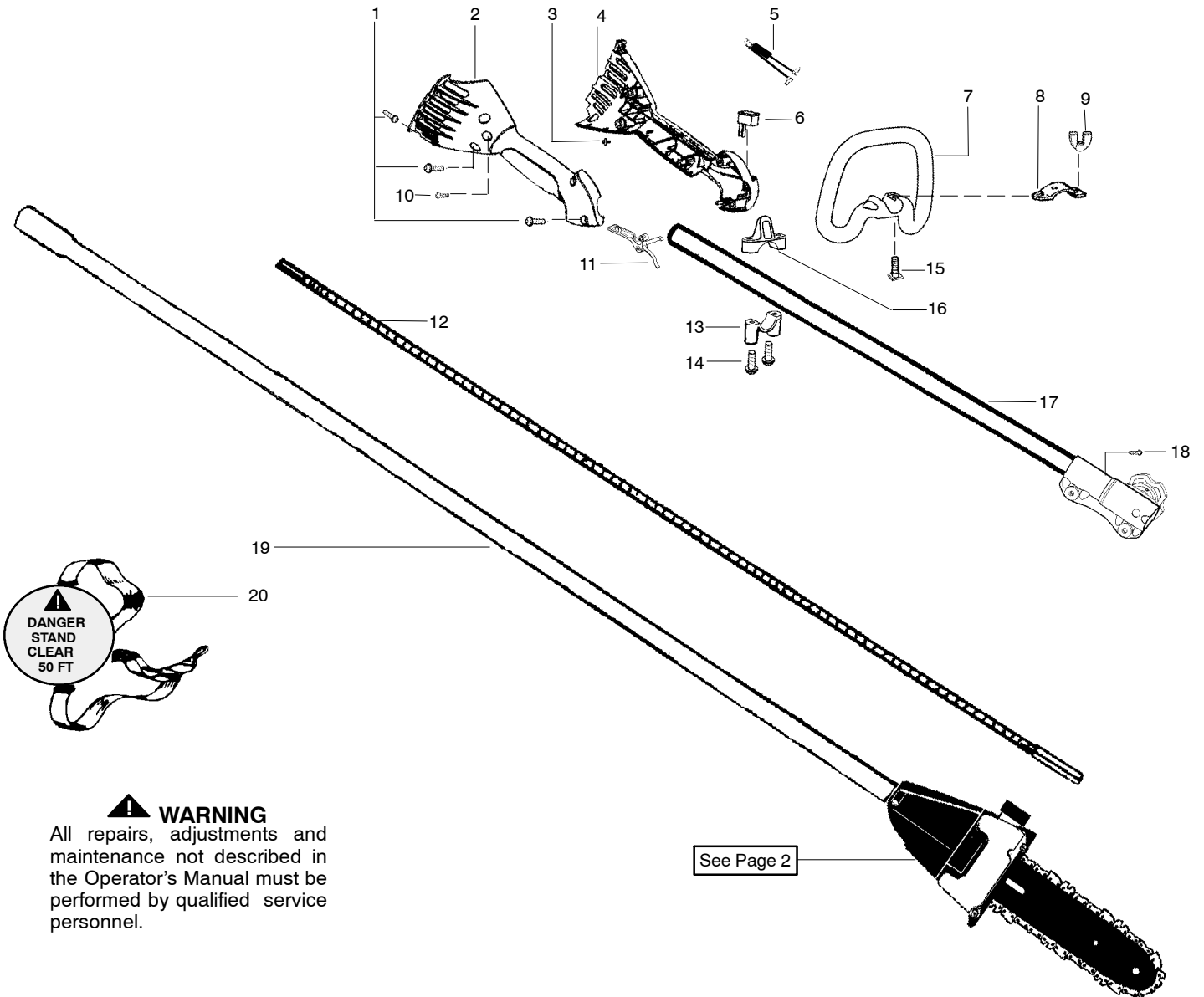
**⚠ WARNING**  
All repairs, adjustments and maintenance not described in the Operator's Manual must be performed by qualified service personnel.

| Ref. | Part No.  | Description                   | Ref. | Part No.    | Description            | Ref. | Part No.    | Description       |
|------|-----------|-------------------------------|------|-------------|------------------------|------|-------------|-------------------|
| 1.   | 530015886 | Screw                         | 11.  | 530058759   | Trigger-Throttle       |      |             |                   |
| 2.   | 530057983 | Hsg.-Throttle right           | 12.  | 530056570   | Flex-Lower             |      |             | Not Shown         |
| 3.   | 530016326 | Screw-Cable Ret.              | 13.  | 530057987   | Clamp-Lower            |      |             |                   |
| 4.   | 530057984 | Hsg.-Throttle left            | 14.  | 530015940   | Screw                  |      |             |                   |
| 5.   | 530058843 | Assy-Wire                     | 15.  | 530015820   | Bolt                   |      | 545186747   | Manual            |
| 6.   | 530069572 | Kit-Switch                    | 16.  | 530057986   | Clamp-Upper            |      | ↙ 545003066 | Decal-Warning     |
| 7.   | 530059101 | Assy-Handle<br>(Incl. 8,9,15) | 17.  | 530071936   | Kit-Upper Shaft        |      | 530150031   | Att. - Hanger     |
| 8.   | 530059185 | Clamp-Handle                  | 18.  | 530016344   | Screw                  |      | ↙ 545167703 | Decal-Upper Shaft |
| 9.   | 530016152 | Wingnut                       | 19.  | ↙ 545008090 | Assy-Driveshaft        |      | 530031159   | Wrench-Hex(5/32)  |
| 10.  | 530015805 | Screw-Align                   | 20.  | 530094408   | Assy-Shoulder<br>Strap |      |             |                   |

↙ = NEW PART NUMBER FOR THIS IPL

★ = REFER TO THE SERVICE REFERENCE INDICATED FOR MORE INFORMATION. (LOCATED AT END OF IPL)

## TYPE 3



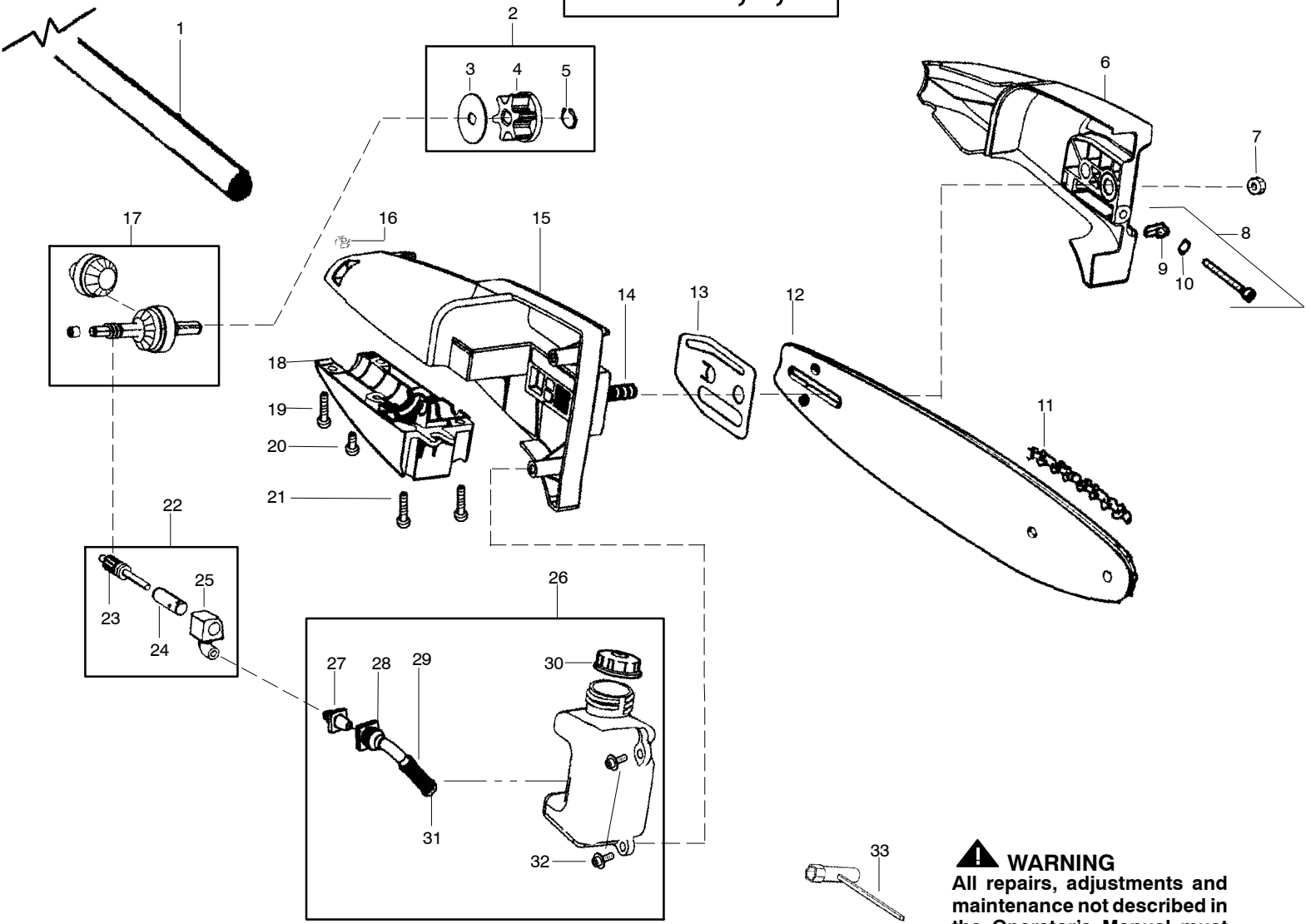
**⚠ WARNING**  
All repairs, adjustments and maintenance not described in the Operator's Manual must be performed by qualified service personnel.

| Ref. | Part No.  | Description         | Ref.  | Part No.  | Description         | Ref. | Part No.  | Description       |
|------|-----------|---------------------|-------|-----------|---------------------|------|-----------|-------------------|
| 2.   | 530015886 | Screw               | 11.   | 530058759 | Trigger-Throttle    |      |           |                   |
| 2.   | 530057983 | Hsg.-Throttle right | 12.   | 530056570 | Flex-Lower          |      |           | Not Shown         |
| 3.   | 530016326 | Screw-Cable Ret.    | 13.   | 530057987 | Clamp-Lower         |      |           |                   |
| 4.   | 530057984 | Hsg.-Throttle left  | 14.   | 530015940 | Screw               |      |           |                   |
| 5.   | 530058843 | Assy-Wire           | 15.   | 530015820 | Bolt                | ✓    | 545177333 | Manual            |
| 6. ✓ | 530071356 | Kit-Switch          | 16.   | 530057986 | Clamp-Upper         | ✓    | 545003066 | Decal-Warning     |
| 7.   | 530059101 | Assy-Handle         | 17.   | 530071936 | Kit-Upper Shaft     |      | 530150031 | Att. - Hanger     |
|      |           | (Incl. 8,9,15)      | 18.   | 530016344 | Screw               | ✓    | 545167703 | Decal-Upper Shaft |
| 8.   | 530059185 | Clamp-Handle        | 19. ✓ | 545008090 | Assy-Driveshaft     |      | 530031159 | Wrench-Hex(5/32)  |
| 9.   | 530016152 | Wingnut             | 20.   | 530094408 | Assy-Shoulder Strap |      |           |                   |
| 10.  | 530015805 | Screw-Align         |       |           |                     |      |           |                   |

✓ = NEW PART NUMBER FOR THIS IPL

★ = REFER TO THE SERVICE REFERENCE INDICATED FOR MORE INFORMATION. (LOCATED AT END OF IPL)

## TYPE 1,2,3



**⚠ WARNING**  
All repairs, adjustments and maintenance not described in the Operator's Manual must be performed by qualified service personnel.

| Ref. | Part No.  | Description                         | Ref. | Part No.  | Description                             | Ref. | Part No.  | Description      |
|------|-----------|-------------------------------------|------|-----------|---|------|-----------|------------------|
| 1.   | 545008090 | Assy-Driveshaft                     | 14.  | 530016133 | Bolt-Bar                                | 27.  | 530056524 | Fitting-Oil Line |
| 2.   | 530071647 | Kit-Sprocket Assy.<br>(incl. 3,4,5) | 15.  | 530056513 | Hsg.-Upper<br>(incl. #14)               | 28.  | 530021160 | Intake-Oil Line  |
| 3.   | 530056521 | Washer                              | 16.  | 530016284 | Nut                                     | 29.  | 530037821 | Filter-Oil       |
| 4.   | 530056520 | Sprocket                            | 17.  | 530071646 | Kit-Gear Assy                           | 30.  | 530053072 | Cap-Oil          |
| 5.   | 530056563 | Retainer-Sprocket                   | 18.  | 530056514 | Hsg.-Lower                              | 31.  | 530030189 | Plug-Oil Filter  |
| 6.   | 530057100 | Assy-Bar Clamp<br>(incl. #8)        | 19.  | 530016312 | Screw                                   | 32.  | 530015843 | Screw            |
| 7.   | 530015917 | Nut-Bar Mounting                    | 20.  | 530015805 | Screw-Align                             | 33.  | 530031163 | Wrench-Bar       |
| 8.   | 530069611 | Kit-Bar Adjust<br>(incl. 9,10)      | 21.  | 530015886 | Screw                                   |      |           |                  |
| 9.   | 530015826 | Pin-Bar Adjust                      | 22.  | 530071645 | Kit-Oil Assy<br>(incl. 23,24,25)        |      |           |                  |
| 10.  | 530038593 | Retainer-Bar Adjust                 | 23.  | 530053764 | Assy-Gear Plunger                       |      |           |                  |
| 11.  | 952051549 | Accy.-Chain-8"                      | 24.  | 530053765 | Barrel                                  |      |           |                  |
| 12.  | 530044908 | Bar-8"                              | 25.  | 530056522 | Block-Oil                               |      |           |                  |
| 13.  | 530056523 | Plate-Bar pad                       | 26.  | 530056528 | Assy-Oil Tank<br>(incl. 27,28,29,30,31) |      |           |                  |

✓ = NEW PART NUMBER FOR THIS IPL

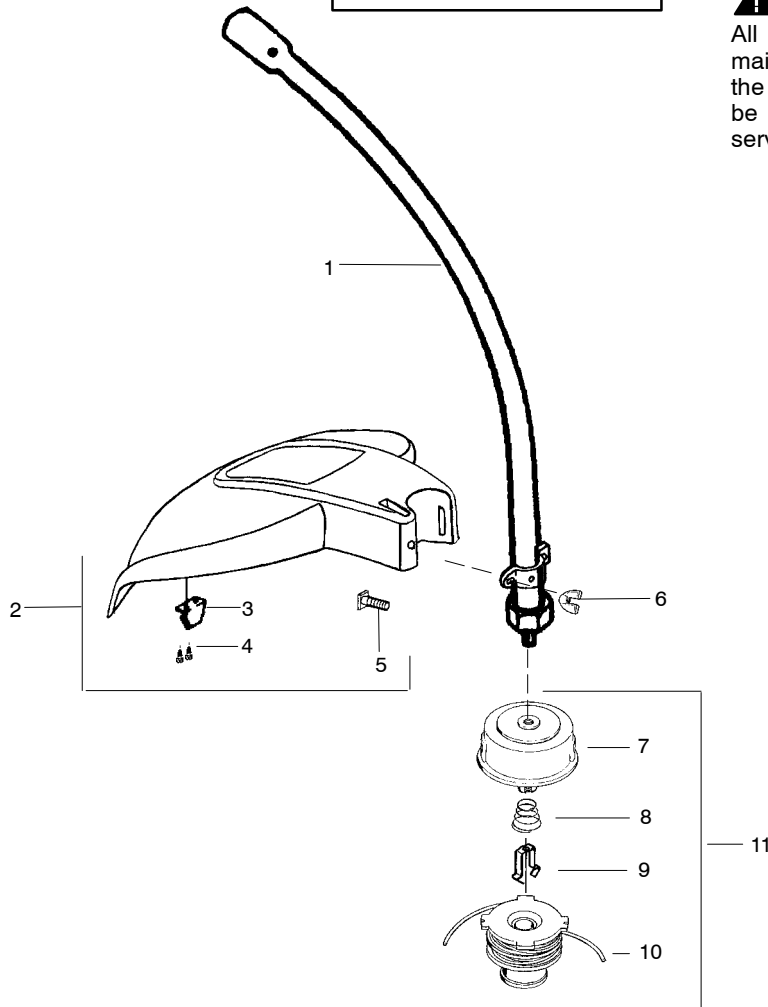
★ = REFER TO THE SERVICE REFERENCE INDICATED FOR MORE INFORMATION. (LOCATED AT END OF IPL)

|                             |                                 |                                |  |
|-----------------------------|---------------------------------|--------------------------------|--|
| PARTS LIST NO.<br>545014364 |                                 | <b>Poulan PRO</b> ® PARTS LIST | MODEL(s)<br>PP446ET  |
| DATE<br>2/10/09             | Replaces<br>545014364 – 6/06/08 |                                | <b>Note:</b> Illustration may differ from actual model due to design changes |

## TYPE 1,2,3

### **⚠ WARNING**

All repairs, adjustments and maintenance not described in the Operator's Manual must be performed by qualified service personnel.



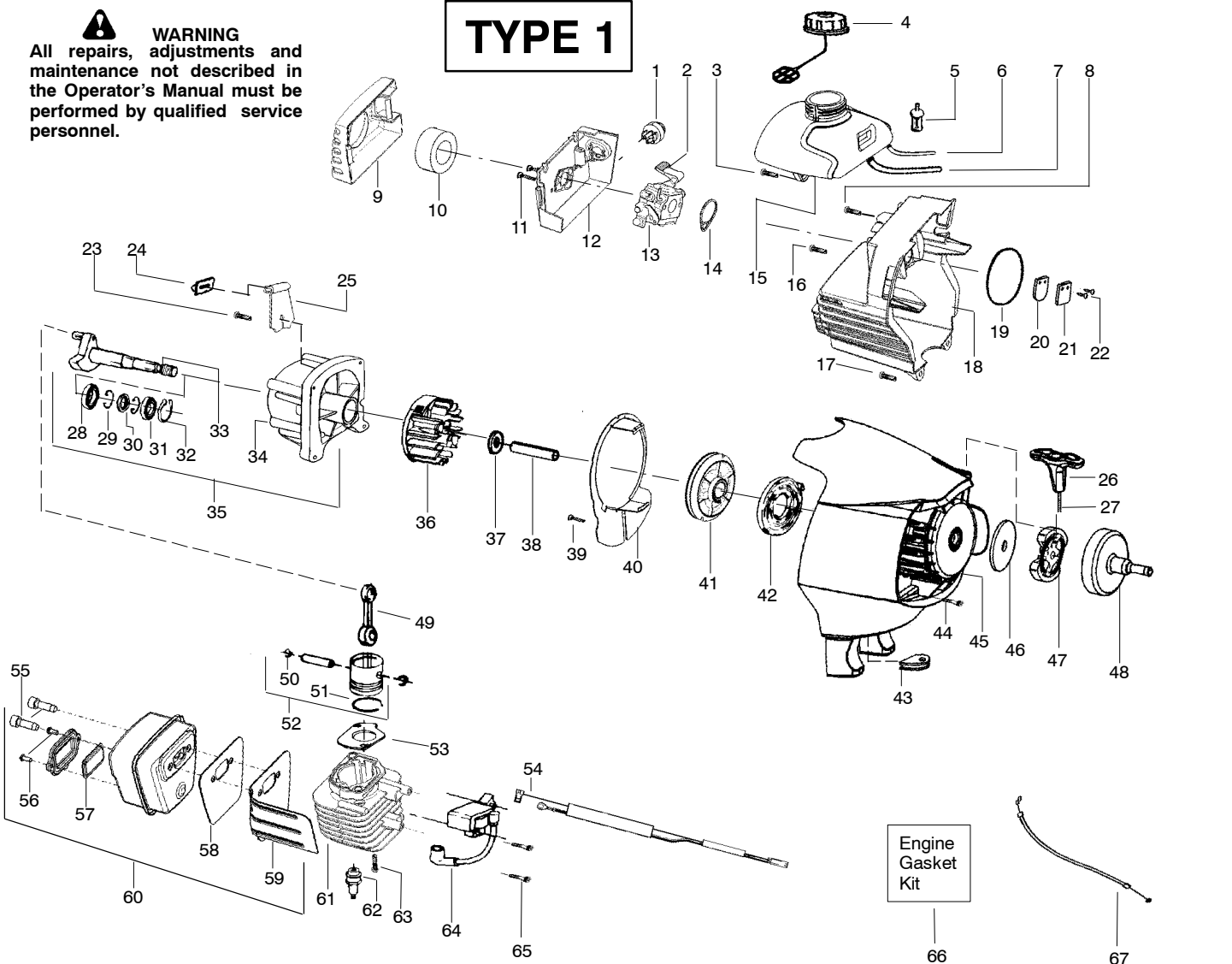
| Ref. | Part No.  | Description                                 |
|------|-----------|---|
| 1.   | 530071788 | Kit-Lower Shaft Assy.<br>(Incl. flex shaft) |
| 2.   | 530071802 | Kit-Shield Assy.<br>(Incl. 3,4,5,6)         |
| 3.   | 530052286 | Limiter-Line                                |
| 4.   | 530015814 | Screw                                       |
| 5.   | 530015820 | Bolt  |
| 6.   | 530016152 | Wingnut                                     |
| 7.   | 530095776 | Assy-Hub/Arbor                              |
| 8.   | 530053241 | Spring-Return                               |
| 9.   | 530401957 | Retainer-Spool                              |
| 10.  | 952711624 | Accy-Wound Spool                            |
| 11.  | 952711630 | Accy-Cutting Head<br>(Incl. 7-10)           |
|      | Not Shown |   |
| ↙    | 545209101 | Decal-Lower Shaft Warning                   |

↙ = NEW PART NUMBER FOR THIS IPL

★ = REFER TO THE SERVICE REFERENCE INDICATED FOR MORE INFORMATION. (LOCATED AT END OF IPL)

**WARNING**  
All repairs, adjustments and maintenance not described in the Operator's Manual must be performed by qualified service personnel.

## TYPE 1



| Ref.  | Part No.  | Description              | Ref. | Part No.  | Description                              | Ref. | Part No.  | Description                              |
|---|-----------|--------------------------|------|-----------|--|------|-----------|--|
| 1.  | 530047721 | Bulb-Purge               | 24.  | 530055492 | Isolator-Tank                            | 47.  | 530055122 | Assy-Clutch                              |
| 2.  | 530071717 | Kit-Choke Lever          | 25.  | 530054941 | Ret.-Tank                                | 48.  | 530150247 | Assy-Drum/Adapter                        |
| 3.  | 530015843 | Screw-tank               | 26.  | 530054834 | Handle-Starter                           | 49.  | 530010960 | Assy-Conn. Rod                           |
| 4.  | 530049386 | Cap-Fuel w/ret.          | 27.  | 545050410 | Kit-Rope                                 | 50.  | 530015162 | Ret.-Piston pin                          |
| 5.  | 530095646 | Assy-Fuel pickup         | 28.  | 545081601 | Bearing-Inner                            | 51.  | 530012595 | Ring-Piston                              |
| 6.  | 530071404 | Kit-Fuel line            | 29.  | 530015787 | Retainer                                 | 52.  | 530072000 | Kit-Piston                               |
| 7.  | 530069216 | Kit-Fuel/Purge line      | 30.  | 530019158 | Seal                                     |      |           | (Incl. 50,51)                            |
| 8.  | 530015775 | Screw                    | 31.  | 530032102 | Bearing-Outer                            | 53.  | 545030102 | Gasket-Cylinder(kit)                     |
| 9.  | 545000501 | Cover-Air box            | 32.  | 530015789 | Ret.-Crankshaft                          | 54.  | 530058846 | Assy-Leadwire                            |
| 10.   | 545082301 | Filter-Air               | 33.  | 530028807 | Assy-Crankshaft                          | 55.  | 530016387 | Bolt-Muffler 1/4"-20                     |
| 11.   | 530015849 | Screw-Carb.              | 34.  | 545081901 | Assy-Crankcase<br>( Incl. 28,29,30,31)   | 56.  | 530015241 | Screw                                    |
| 12.   | 545000601 | Box-Air                  | 35.  | 545006037 | Assy-C'case/C'shaft<br>( Incl. 32,33,34) | 57.  | 545030502 | Kit-Spark Arrestor                       |
| 13.   | 545006017 | Kit-Carb assy. (C1U-W32) |      |           |  | 58.  | 545030102 | Gasket-Muffler (kit)                     |
| (Note: Repair kits are not available for this carburetor) |           |                          | 36.  | 530055524 | Assy-Flywheel                            | 59.  | 545033201 | Shield                                   |
| 14.   | 545030102 | Seal-Carb.(kit)          | 37.  | 530016030 | Washer                                   | 60.  | 545006016 | Kit-Muffler<br>(Incl. 55,56,57,58,59)    |
| 15.   | 545075304 | Assy-Fuel Tank           | 38.  | 530055620 | Spacer                                   | 61.  | 530012589 | Cylinder                                 |
| 16.   | 530015771 | Screw-Crankcase          | 39.  | 530015775 | Screw-Baffle                             | 62.  | 952030249 | Plug-Spark(RCJ-6Y)                       |
| 17.   | 530015952 | Screw-Shroud             | 40.  | 530054939 | Plate-Baffle                             | 63.  | 530001624 | Bolt-Cyl. 1/4"-20                        |
| 18.   | 545000701 | Assy-Rear Shroud         | 41.  | 545050408 | Kit-Pulley                               | 64.  | 530039234 | Module-Ignition                          |
| 19.   | 545030102 | O-ring-Shroud (kit)      | 42.  | 545054901 | Spring-Starter                           | 65.  | 530016357 | Screw-Module                             |
| 20.   | 530027593 | Valve-Reed               | 43.  | 530019182 | Grommet                                  | 66.  | 545030102 | Kit-Gasket/Seal<br>( Incl. 14,19, 53,58) |
| 21.   | 530029781 | Stop-Reed                | 44.  | 530015810 | Screw-F/hsg.                             | 67.  | 530058962 | Assy-Throttle cable                      |
| 22.   | 530016064 | Screw-Reed stop          | 45.  | 530055248 | Assy-Fan Housing                         |      |           |  |
| 23.   | 530015875 | Screw-Retainer           | 46.  | 530094189 | Washer-Clutch                            |      |           |  |

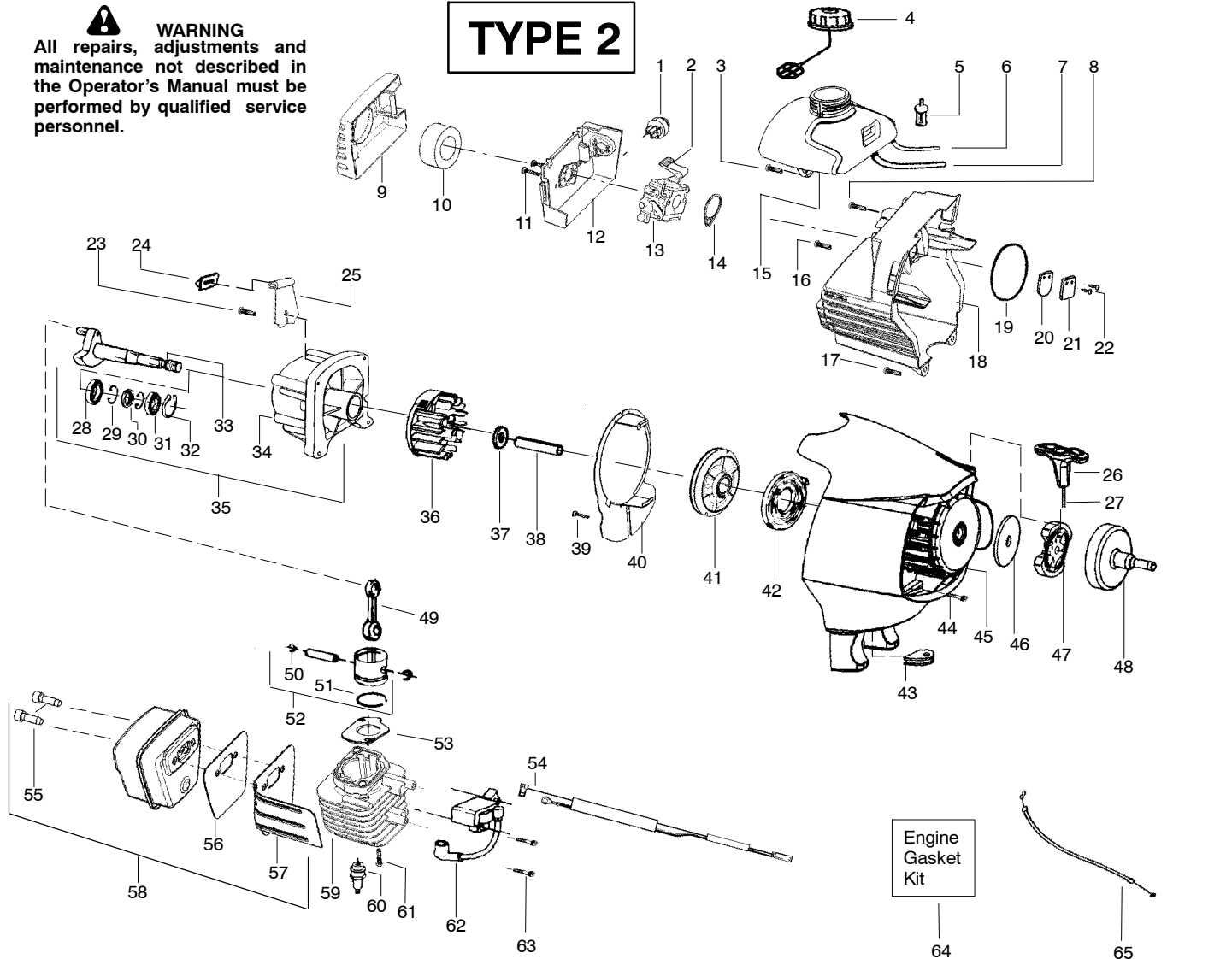
✓ = NEW PART NUMBER FOR THIS IPL

\* = REFER TO THE SERVICE REFERENCE INDICATED FOR MORE INFORMATION. (LOCATED AT END OF IPL)

**Note:** Illustration may differ from actual model due to design changes

**WARNING**  
All repairs, adjustments and maintenance not described in the Operator's Manual must be performed by qualified service personnel.

## TYPE 2



| Ref.  | Part No.  | Description              | Ref. | Part No.  | Description                             | Ref. | Part No.  | Description                             |
|---|-----------|--------------------------|------|-----------|---|------|-----------|---|
| 2.  | 530047721 | Bulb-Purge               | 24   | 530055492 | Isolator-Tank                           | 47.  | 530055122 | Assy-Clutch                             |
| 2.  | 530071717 | Kit-Choke Lever          | 25.  | 530054941 | Ret.-Tank                               | 48.  | 530150247 | Assy-Drum/Adapter                       |
| 3.  | 530015843 | Screw-tank               | 26.  | 530054834 | Handle-Starter                          | 49.  | 530010960 | Assy-Conn. Rod                          |
| 4.  | 530049386 | Cap-Fuel w/ret.          | 27.  | 545050409 | Kit-Rope                                | 50.  | 530015162 | Ret.-Piston pin                         |
| 5.  | 530095646 | Assy-Fuel pickup         | 28.  | 545081601 | Bearing-Inner                           | 51.  | 530012595 | Ring-Piston                             |
| 6.  | 530071404 | Kit-Fuel line            | 29.  | 530015787 | Retainer                                | 52.  | 530072000 | Kit-Piston<br>(Incl. 50,51)             |
| 7.  | 530069216 | Kit-Fuel/Purge line      | 30.  | 530019158 | Seal                                    | 53.  | 545030102 | Gasket-Cylinder(kit)                    |
| 8.  | 530015775 | Screw                    | 31.  | 530032102 | Bearing-Outer                           | 54.  | 530058846 | Assy-Leadwire                           |
| 9.  | 545000501 | Cover-Air box            | 32.  | 530015789 | Ret.-Crankshaft                         | 55.  | 530016387 | Bolt-Muffler 1/4"-20                    |
| 10.   | 545082301 | Filter-Air               | 33.  | 530028807 | Assy-Crankshaft                         | 56.  | 545030102 | Gasket-Muffler (kit)                    |
| 11.   | 530015849 | Screw-Carb.              | 34.  | 545081901 | Assy-Crankcase<br>(Incl. 28,29,30,31)   | 57.  | 545033201 | Shield                                  |
| 12.   | 545000601 | Box-Air                  | 35.  | 545006037 | Assy-C'case/C'shaft<br>(Incl. 32,33,34) | 58.  | 545081871 | Kit-Muffler<br>(Incl. 55,56,57)         |
| 13.   | 545006017 | Kit-Carb assy. (C1U-W32) | 36.  | 530055524 | Assy-Flywheel                           | 59.  | 530012589 | Cylinder                                |
| (Note: Repair kits are not available for this carburetor) |           |                          | 37.  | 530016030 | Washer                                  | 60.  | 952030249 | Plug-Spark (RCJ-6Y)                     |
| 14.   | 545030102 | Seal-Carb.(kit)          | 38.  | 530055620 | Spacer                                  | 61.  | 530001624 | Bolt-Cyl. 1/4"-20                       |
| 15.   | 545075304 | Assy-Fuel Tank           | 39.  | 530015775 | Screw-Baffle                            | 62.  | 530039234 | Module-Ignition                         |
| 16.   | 530015771 | Screw-Crankcase          | 40.  | 545115201 | Plate-Baffle                            | 63.  | 530016357 | Screw-Module                            |
| 17.   | 530015952 | Screw-Shroud             | 41.  | 545050408 | Kit-Pulley                              | 64.  | 545030102 | Kit-Gasket/Seal<br>(Incl. 14,19, 53,56) |
| 18.   | 545000701 | Assy-Rear Shroud         | 42.  | 545054901 | Spring-Starter                          | 65.  | 545026801 | Assy-Throttle cable                     |
| 19.   | 545030102 | O-ring-Shroud (kit)      | 43.  | 530019182 | Grommet                                 |      |           |   |
| 20.   | 530027593 | Valve-Reed               | 44.  | 530016386 | Screw-F/hsg.                            |      |           |   |
| 21.   | 530029781 | Stop-Reed                | 45.  | 530055248 | Assy-Fan Housing                        |      |           |   |
| 22.   | 530016064 | Screw-Reed stop          | 46.  | 530094189 | Washer-Clutch                           |      |           |   |
| 23.   | 530015875 | Screw-Retainer           |      |           |   |      |           |   |

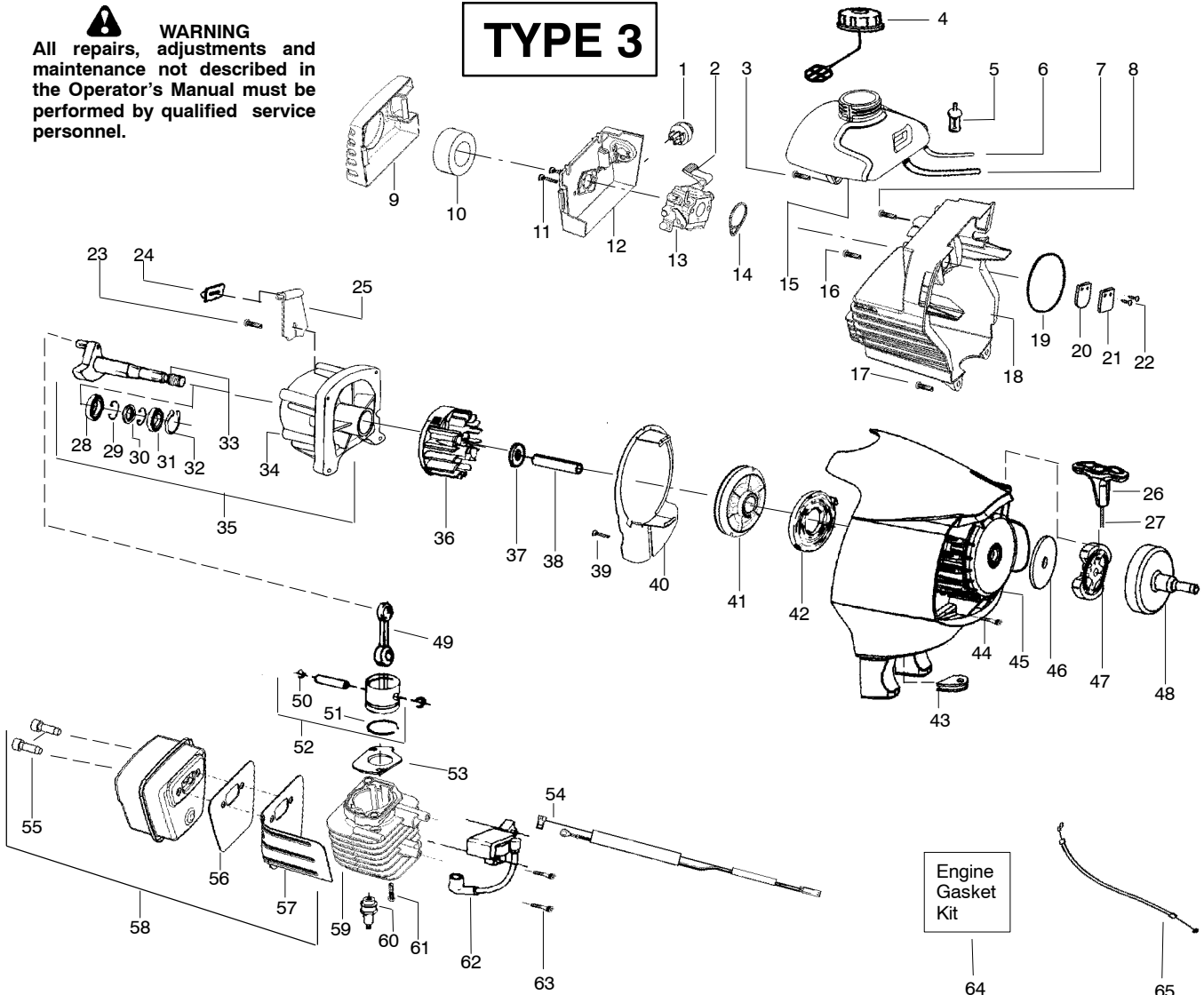
✓ = NEW PART NUMBER FOR THIS IPL

\* = REFER TO THE SERVICE REFERENCE INDICATED FOR MORE INFORMATION. (LOCATED AT END OF IPL)

**Note:** Illustration may differ from actual model due to design changes

**WARNING**  
All repairs, adjustments and maintenance not described in the Operator's Manual must be performed by qualified service personnel.

## TYPE 3



| Ref.  | Part No.  | Description              | Ref. | Part No.  | Description                              | Ref. | Part No.  | Description                              |
|---|-----------|--------------------------|------|-----------|--|------|-----------|--|
| 3.  | 530047721 | Bulb-Purge               | 24   | 530055492 | Isolator-Tank                            | 47.  | 530055122 | Assy-Clutch                              |
| 2.  | 530071717 | Kit-Choke Lever          | 25.  | 530054941 | Ret. - Tank                              | 48.  | 530150247 | Assy-Drum/Adapter                        |
| 3.  | 530015843 | Screw-tank               | 26.  | 530054834 | Handle-Starter                           | 49.  | 530010960 | Assy-Conn. Rod                           |
| 4.  | 530049386 | Cap-Fuel w/ret.          | 27.  | 545050409 | Kit-Rope                                 | 50.  | 530015162 | Ret.-Piston pin                          |
| 5.  | 530095646 | Assy-Fuel pickup         | 28.  | 545081601 | Bearing-Inner                            | 51.  | 530012595 | Ring-Piston                              |
| 6.  | 530071404 | Kit-Fuel line            | 29.  | 530015787 | Retainer                                 | 52.  | 530072000 | Kit-Piston                               |
| 7.  | 530069216 | Kit-Fuel/Purge line      | 30.  | 530019158 | Seal                                     |      |           | (Incl. 50,51)                            |
| 8.  | 530015775 | Screw                    | 31.  | 530032102 | Bearing-Outer                            | 53.  | 545030102 | Gasket-Cylinder(kit)                     |
| 9.  | 545000501 | Cover-Air box            | 32.  | 530015789 | Ret.-Crankshaft                          | 54.  | 530058846 | Assy-Leadwire                            |
| 10.   | 545082301 | Filter-Air               | 33.  | 530028807 | Assy-Crankshaft                          | 55.  | 530016387 | Bolt-Muffler 1/4"-20                     |
| 11.   | 530015849 | Screw-Carb.              | 34.  | 545081901 | Assy-Crankcase<br>( Incl. 28,29,30,31)   | 56.  | 545030102 | Gasket-Muffler (kit)                     |
| 12.   | 545000601 | Box-Air                  | 35.  | 545006037 | Assy-C'case/C'shaft<br>( Incl. 32,33,34) | 57.  | 545033201 | Shield                                   |
| 13.   | 545006017 | Kit-Carb assy. (C1U-W32) |      |           |  | 58.  | 545081871 | Kit-Muffler<br>(Incl. 55,56,57)          |
| (Note: Repair kits are not available for this carburetor) |           |                          | 36.  | 530055524 | Assy-Flywheel                            | 59.  | 530012589 | Cylinder                                 |
| 14.   | 545030102 | Seal-Carb.(kit)          | 37.  | 530016463 | Washer                                   | 60.  | 952030249 | Plug-Spark(RCJ-6Y)                       |
| 15.   | 545075304 | Assy-Fuel Tank           | 38.  | 530055620 | Spacer                                   | 61.  | 530001624 | Bolt-Cyl. 1/4"-20                        |
| 16.   | 530015771 | Screw-Crankcase          | 39.  | 530015775 | Screw-Baffle                             | 62.  | 530039229 | Module-Ignition                          |
| 17.   | 530015952 | Screw-Shroud             | 40.  | 545115201 | Plate-Baffle                             | 63.  | 530016357 | Screw-Module                             |
| 18.   | 545000701 | Assy-Rear Shroud         | 41.  | 545050408 | Kit-Pulley                               | 64.  | 545030102 | Kit-Gasket/Seal<br>( Incl. 14,19, 53,56) |
| 19.   | 545030102 | O-ring-Shroud (kit)      | 42.  | 545054901 | Spring-Starter                           |      |           |  |
| 20.   | 530027593 | Valve-Reed               | 43.  | 530019182 | Grommet                                  | 65.  | 545026801 | Assy-Throttle cable                      |
| 21.   | 530029781 | Stop-Reed                | 44.  | 530016386 | Screw-F/hsg.                             |      |           |  |
| 22.   | 530016064 | Screw-Reed stop          | 45.  | 530055248 | Assy-Fan Housing                         |      |           |  |
| 23.   | 530015875 | Screw-Retainer           | 46.  | 530094189 | Washer-Clutch                            |      |           |  |

✓ = NEW PART NUMBER FOR THIS IPL      \* = REFER TO THE SERVICE REFERENCE INDICATED FOR MORE INFORMATION. (LOCATED AT END OF IPL)

## Free Manuals Download Website

<http://myh66.com>

<http://usermanuals.us>

<http://www.somanuals.com>

<http://www.4manuals.cc>

<http://www.manual-lib.com>

<http://www.404manual.com>

<http://www.luxmanual.com>

<http://aubethermostatmanual.com>

Golf course search by state

<http://golfingnear.com>

Email search by domain

<http://emailbydomain.com>

Auto manuals search

<http://auto.somanuals.com>

TV manuals search

<http://tv.somanuals.com>