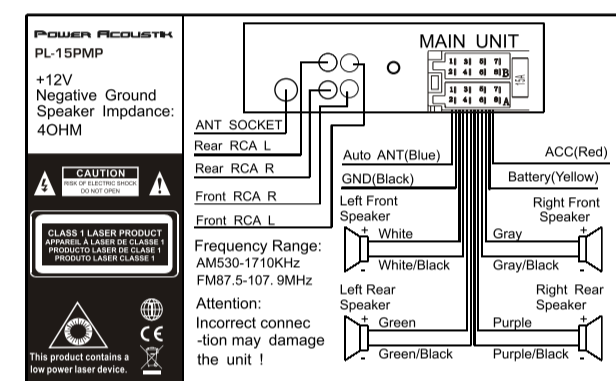


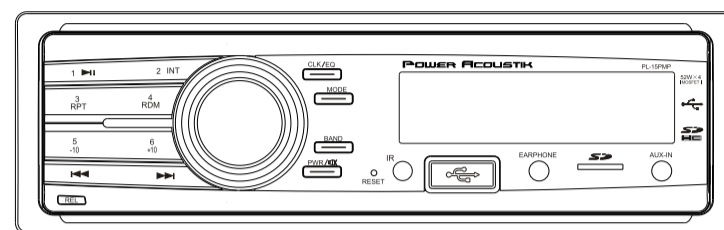
Precaution :

1. Power Source: the unit should be connected to power supply only of the type described in the operating instruction or as marked on the unit.
2. The unit is designed for negative terminal of the battery which is connected to the vehicle metal. Please confirm it before installation.
3. Do not allow the speaker wires to be shorted together when the unit is switched on. Otherwise it may overload or burn out the power amplifier.
4. In case of the unit can work normal; please do not change the circuit of the unit.
5. Please make sure that the temperature is -25°C to +70°C before open this unit.
6. Do not use this unit when water and moisture is near it.
7. Please make sure the USB/SD is compatible with this unit.
8. Please make sure the protective tube is compatible with this unit.

Description of the Input /Output Wires



POWER ACOUSTIK PL-15PMP Car Audio Instruction Manual



New Wisdom Electronic Technology Company Limited

Dear Customer :

Thank you for your purchase of this car audio, which is of high quality, reliability, and stabilization. Please read this instruction manual before installation and use this product. Thank you very much!

Summary :

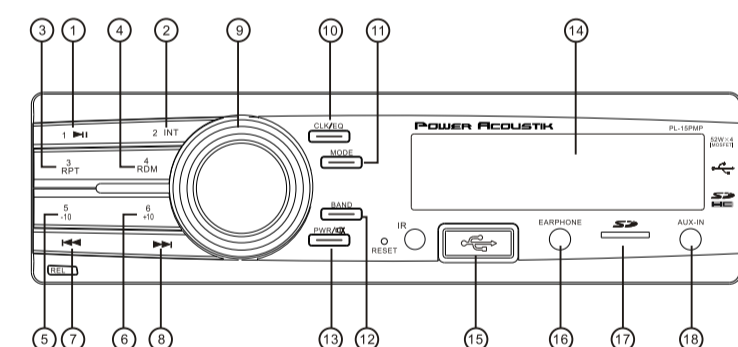
- This product with radio, USB/SD/AUX IN with high sensitivity, maximum power, high quality tone etc.
- High play USB/SD with MP3/WMA file formats
- Four channel output
- The front panel as the media player

Content

1. Precaution	2
2. Description of the Input /Output Wires.....	2
3. Unit Install	3
4. Common Operation.....	4-6
5. Remote Control.....	7
6. Specification	8
7. Trouble Shooting.....	8

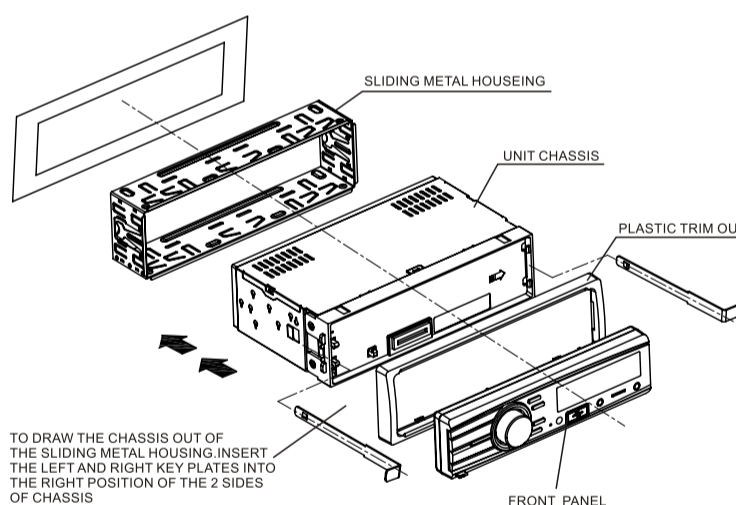
Common Operation

Description of the Face of the Front Panel

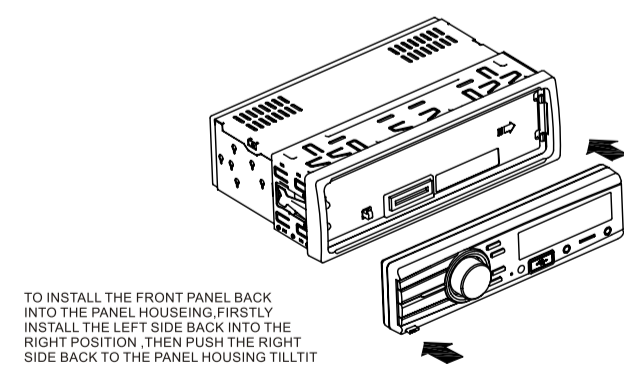


- 1/▶|▶| Knob**
When in radio mode, shortly press the key to exist radio program "1", press the button, can store the received radio in the "1" key; when playing to press the key to pause and then click this button to play.
- 2/INT Knob**
When in radio mode, shortly press the key to exist radio program "2", press the button, can store the received radio in the "2"; in the playback state press the button for 10 seconds and then browse playback, press this button to cancel 10 seconds browsing.
- 3/RPT Knob**
When in radio mode, shortly press this button to play "3" station which preset; press and hold to automatically search station and preset to "2" knob. In audio mode, press this button to play repeatedly.
- 4/RDM Knob**
When in radio mode, shortly press this button to play "4" which preset; press and hold to automatically search station and preset to "4". In audio mode, press this to play in random.

Unit Installation



TO DRAW THE CHASSIS OUT OF THE SLIDING METAL HOUSING, INSERT THE LEFT AND RIGHT KEY PLATES INTO THE LEFT AND RIGHT POSITION OF THE 2 SIDES OF CHASSIS



TO INSTALL THE FRONT PANEL BACK INTO THE PANEL HOUSING, FIRSTLY INSTALL THE LEFT SIDE BACK INTO THE RIGHT POSITION, THEN PUSH THE RIGHT SIDE BACK TO THE PANEL HOUSING TILL IT CLIP INTO THE POSITION

12. BAND Knob

In the radio turntable, repeated by the key to select the band, while "LCD" will be displayed in the selected band.
FM1 → FM2 → FM3 → AM1 → AM2

Long press the key FM browsing station in 18, AM browsing station automatically stored in 12.

13. PWR/⏻ Knob

According to the time the keys can open the machine power; in the working state of a short press this key will be mute, long press to turn off the machine power.

14. LCD display screen after starting up, display the current operating state.

15. USB Socket

16. EARPHONE Socket
Without removing the panel, the "EARPHONE" inserted earplugs is no output.

17. SD Socket

18. AUX IN Socket

In particular the front panel for player:

1. Remove the panel, should ensure that has been charged, can use that as a player.
2. The panel as a player, some key functions are different.
 - (1). When the panel is removed, the maximum volume default is "32", the multifunction button has EQ function in the playing state, radio state doesn't work.
 - (2). When the panel is removed, the CLK/EQ function key EQ functions in the playing state, on the radio state doesn't work.
 - (3). Remove the panel, only FM function. LCD will only display the selected bands:
FM1 → FM2 → FM3
(Long press this button to browse station in 18.)
 - (4). Remove the panel, "EARPHONE" can be directly inserted earplugs, listen to the radio and audio etc..

5. 5/10- Knob

When in radio mode, shortly press this button to play "5" station; press and hold to automatically search station and preset to "5". In audio mode, press this button to play last 10 chapter.

6. 6/10+ Knob

When in radio mode, shortly press this button to play "6" station which preset; press and hold to search station and preset to "6". In audio mode, press this button to play next 10 chapter.

7. ◀◀ Knob

When in radio mode, shortly press this button to search last station; press and hold to automatically search down for an available station. In audio mode press to last track; press and hold to fast backward.

8. ▶▶ Knob

When in radio mode, shortly press this button on panel or remote control to next station; press and hold to automatically search down for an available station. In audio mode, shortly press this knob to next track; press and hold to fast forward.

9. ○ Knob

Turn this button to directly low the volume level. Press the key for multiple function keys, can enter into the audio settings, switching mode:
BAS → TRE → BAL → FAD → LOUD → EQ OFF

10. CLK/EQ Knob

Press the key for 3 seconds, LCD will display the time, then short press this button to enter the date; for time / date set up by the round knob. Short press the key, can realize EQ function conversion:
CLASS → POP → ROCK → JAZZ → EQ OFF

11. MOD Knob

press the button in the radio RADIO and MP3/AUX playback in the following manner conversion between:
RADIO → CARDS → AUX

Specification

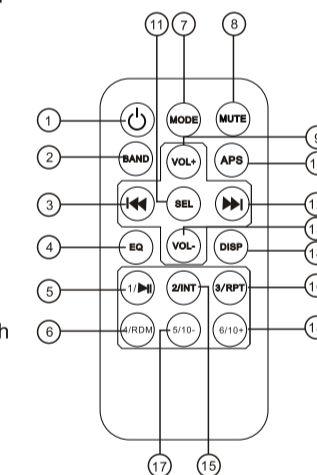
1. Frequency Range..... AM 530KHz—1710KHz
2. Noise limited sensitivity FM 87.5MHz—107.9MHz
3. S/N Ratio
.....FM ≧ 55dB
.....MP3 ≧ 60dB
4. Frequency Response..... 100Hz—15KHz
5. USB/SD Card..... * .MP3/WMA
6. Load Impedance..... 4Ω
7. Max Output power..... 4×35W
8. Power Supplies..... DC 10.8—16V
(Negative terminal of the battery which is connected to the cover)
9. Size..... 188(width)×58(high)×115(length)MM
10. Weight..... About 570G

Trouble shooting

Problem	Cause and Method
The radio does not work	check whether the antenna cable is connected firmly; manually tune for a station
No sound/lower sound	Connection well the wiring
Does not open the unit	Check the power supply is good or not; reset the unit and turn on it again
No power	Check whether is protect tube is good or not; check the power plug is connected to the inlet tightly
MP3 does not work	Check whether there is some file in USB/SD card; whether the USB/SD card is connected to the inlet tightly

Remote control function

1. The power switch key
2. Band selection switch
3. Rewind button / inverse scanning radio
4. The EQ function key
5. Digital 1 / play / pause button
6. Random play key / digital 4
7. Mode conversion key
8. Mute button
9. The volume + button
10. APS automatic control station search key Short press left key automatic browse radio, press the key will automatically search for radio, in search of radio automatically stored station to 1-6 digital keys.
11. SEL audio setting keys
12. the fast-forward button / scanning radio
13. The volume - key
14. Time display and setting key Radio, playing state, press the button, LCD converts the display time. According to the key to make the clock "H" flash, according to VOL+/VOL- adjustable "H" long press the keys enable clock "MIN" flashing, press VOL+VOL- to adjust the "MIN", 5 seconds if it is not in accordance with the button will automatically reply time display state; by the DISP bond, such as clock flicker, then press the button, can be converted 24/12 hour display mode.
15. browsing the play button / digital 2 keys
16. repeat key / digital 3 keys
17. 10 minus the play button / digital 5 keys
18. 10 songs plus the play button / digital 6 keys



Free Manuals Download Website

<http://myh66.com>

<http://usermanuals.us>

<http://www.somanuals.com>

<http://www.4manuals.cc>

<http://www.manual-lib.com>

<http://www.404manual.com>

<http://www.luxmanual.com>

<http://aubethermostatmanual.com>

Golf course search by state

<http://golfingnear.com>

Email search by domain

<http://emailbydomain.com>

Auto manuals search

<http://auto.somanuals.com>

TV manuals search

<http://tv.somanuals.com>