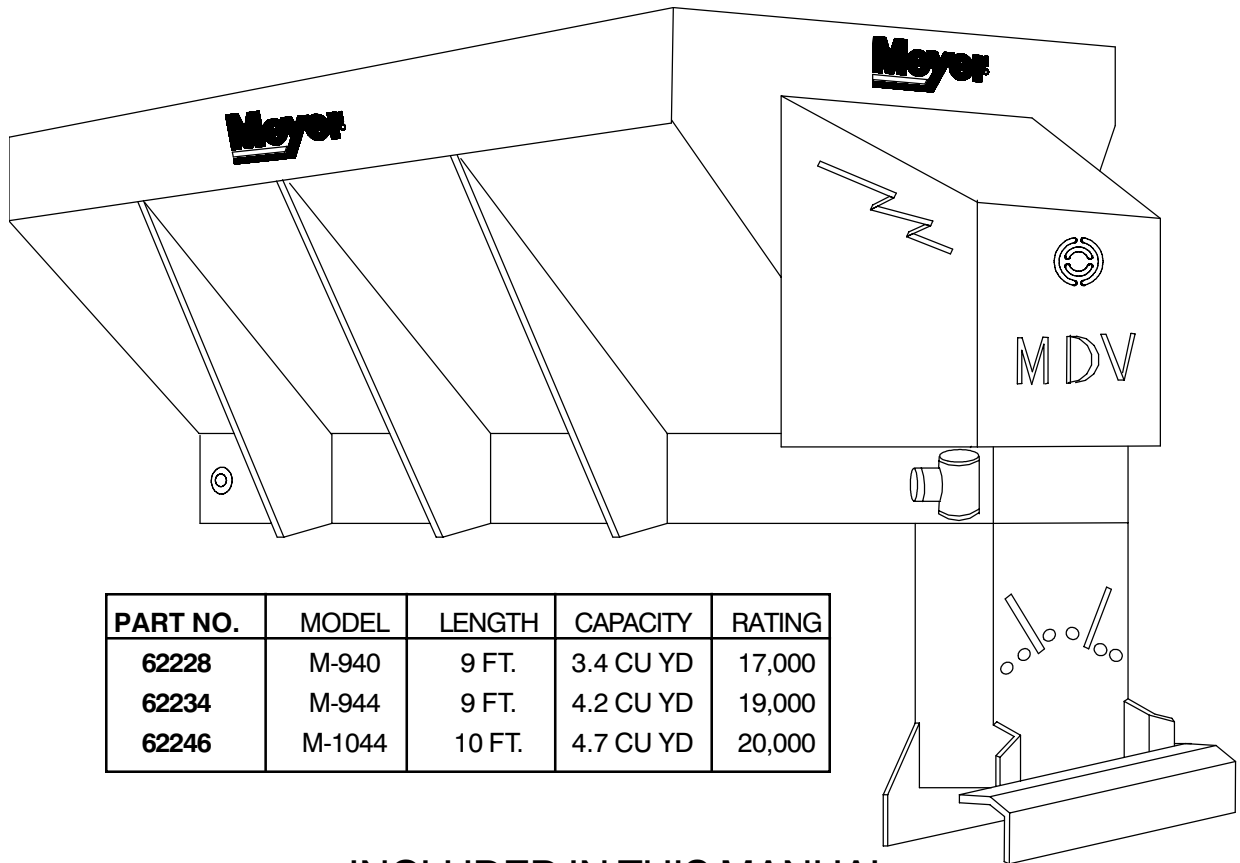


INSTALLATION and OPERATING INSTRUCTION MANUAL

MDV SPREADER



PART NO.	MODEL	LENGTH	CAPACITY	RATING
62228	M-940	9 FT.	3.4 CU YD	17,000
62234	M-944	9 FT.	4.2 CU YD	19,000
62246	M-1044	10 FT.	4.7 CU YD	20,000

INCLUDED IN THIS MANUAL

SAFETY ALERT	2
SPREADER ASSEMBLY INSTRUCTIONS	3-5
SPREADER OPERATION	6-8
SPREADER MAINTENANCE	9
HYDRAULICS	10-11
SPREADER PARTS LISTS & EXPLODED VIEW	12-36
WARRANTY	37

Meyer Products reserves the right, under its continuing product improvement program, to change construction or design details, specifications and prices without notice or without incurring any obligation.

www.meyerproducts.com • email inf@meyerproducts.com

THE BEST SAFETY DEVICE IS A CAREFUL OPERATOR!

SAFETY ALERT SYMBOL



**THIS SYMBOL MEANS ATTENTION!
BECOME ALERT! YOUR SAFETY IS INVOLVED!
PLEASE READ AND UNDERSTAND COMPLETELY BEFORE DOING!**

SAFE EQUIPMENT INSTALLERS AND OPERATORS:



TURN OFF ALL POWER BEFORE PERFORMING ANY SERVICE OPERATIONS

- FOLLOW RECOMMENDED OPERATING PROCEDURES.
- KEEP EQUIPMENT IN SAFE OPERATING CONDITION AT ALL TIMES.
- RECOGNIZE AND AVOID HAZARDS WHILE OPERATING, SERVICEING AND MAINTAINING EQUIPMENT.



**REFER TO THE ENGINE OPERATING & MAINTENANCE MANUAL
FOR SPECIFIC SAFETY PRECAUTIONS FOR THIS ENGINE.**



CAUTION

1. KEEP ALL SHEILDS IN PLACE.
2. MAKE CERTAIN EVERYONE IS CLEAR BEFORE STARTING MACHINE OR MOVING VEHICLE.
3. KEEP HANDS, FEET, AND CLOTHING AWAY FROM ALL POWER DRIVEN PARTS.
4. DISENGAGE p.t.o., SHUT OFF HYDRAULIC VALVE AND SET PARKING BRAKE BEFORE LEAVING OPERATOR'S POSITION. MAKE SURE ALL MOVEMENT HAS STOPPED BEFORE SERVING OR UNCLOGGING MACHINE.
5. USE FLASHING LIGHTS WHEN OPERATING MACHINE.
6. MAKE SURE MACHINE IS SOLIDLY SUPPORTED WHEN IT IS BEING MOUNTED, DISMOUNTED, OR STORED.



DANGER

**Stay clear while
spinner is turning**



DANGER

**Turn off power
before servicing.**

**NOTICE: Instructional Material And Parts Lists Included In This Manual Are Subject To
Change Without Notice.**

ASSEMBLY INSTRUCTIONS AND INSTALLATION

INSTALLATION INSTRUCTIONS:

The Meyer MDV Series Spreaders can mount and store as a single unit. The Meyer MDV Series Spreader will mount on most 15,000-20,000 GVW trucks as well as larger trucks.



WARNING

DO NOT OVERLOAD THE VEHICLE. It is quite possible to overload the vehicle by improperly mounting or over loading the spreader. This could result in dangerous stability and braking problems. Always consult and follow the truck manufacturer's instructions.



WARNING

BEFORE BEGINNING ANY INSTALLATION ON THIS UNIT, disconnect the spreader battery negative cable if already installed.

1. Place the spreader in the rear of truck with the engine / hydraulic motor to the rear of the truck. Center the spreader (side to side) in the truck. The spreader should extend past the rear of the outer most part of the truck (i.e: truck bed, bumper) approximately 18 inches.



Caution: Insure that the spreader cannot tip when the spinner assembly is attached.

SPINNER ASSEMBLY

- a. Raise engine shroud and prop it open with the support rod. (if engine driven model)
 - b. Slide the spinner frame assembly into the rear of the longitudinals with the spinner back plate toward the rear.
 - c. Bolt the spinner to the longitudinals using the four (4) 3/8" x 1" bolts, 3/8" flange nuts and flatwashers from hardware bag located on the spinner. Using one (1) 3/8" x 1" bolts, flatwashers and flange nut from hardware bag, bolt the top portion of the spinner back plate to the engine plate.
 - d. Install roller chain between the gear box sprocket and the spinner sprocket. Make sure sprockets are in line with each other. The roller chain is tightened, first by loosening all four 3/8" bolts on the back plate. Then, pull the entire bearing/shaft assembly in such a way to achieve the proper amount of chain tension. Make sure the spinner shaft is straight up and down before retightening.
2. Reposition the spreader in the truck, just short of making contact with the rearmost part of the truck bed, bumper, pintle hook etc. Bolt the unit to the truck using a minimum of six 1/2" - grade 5 bolts and corresponding washers and locknuts. The Spreader is designed to sit flat on the bed of the truck, supported by the longitudinal/sides. **DO NOT SUPPORT THE SPREADER BY THE BODYJACKS ALONE !! UNIT IS NOT DESIGNED FOR CHASSIS MOUNT APPLICATION !**

INSTALLATION INSTRUCTION FOR ELECTRIC THROTTLE CONTROL



WARNING

1. **Disconnect battery, NEGATIVE CABLE** (if already installed).
2. Spreaders with factory installed throttle controls do not require installer hook-up to the engine. The actuator has been installed and tested at the factory.
3. Raise the engine shroud and securely prop it in place with the prop rod. The installer will have to remove the ties securing the coiled actuator cable to the top of the engine.
4. The throttle actuator cable plugs into the in-cab control panel after being routed from the cab of the vehicle to the rear of the mounted spreader.
5. Select a suitable location in the cab of the vehicle to mount the throttle control box. (Do not mount at this time.)



WARNING

Consult vehicle manufacturer for acceptable mounting locations. Improperly mounting the control box could interfere with air bag(s) and the other functions of the occupant protection systems, such as knee bolsters!

6. After the location of the control panel is determined, the cable must be routed to the rear of the spreader, so the hookup can be made with the actuator cable plug. Route the conductor cable, attached to the control, to rear of truck, under truck, securing as needed. Allow enough cable for the control panel to be mounted in the cab.
7. The routed cable must be clear of all moving or hot parts on the spreader or vehicle. Secure the cable with the ties provided. Excess cable must be coiled up and secured.
8. Locate and mount the control panel (with screws supplied).
9. For permanent cable mount at rear of the truck, a mounting bracket is supplied.
10. Slide boot over cable then, wire the control panel cable end into the socket (wire colors and locations are identified on the socket). The rubber socket boot must be installed for weather resistant seal.
11. Fill boot from cable side with a good grade of dielectric grease to help reduce corrosion on terminals.
12. Install a 12 volt battery with 4- ampere hour rating, recommended for winter use (if not already done). The battery hold-downs furnished will accept any 2 SM Series battery.



WARNING

Use safety glasses or other face protection against possible battery explosion. Do not smoke and avoid other sources of ignition.

13. Attach the positive battery cable (each end must have a rubber boot) to the positive terminal of the solenoid and to the positive terminal of the battery. Make sure these protective boots are covering the positive terminal post on the battery and on the solenoid.
14. Connect the negative battery terminal to the battery hold down post. When finished, make sure all wires are away from moving parts and lower engine shroud.
15. Plug cable from the spreader into socket mounted on the truck, Step 9.

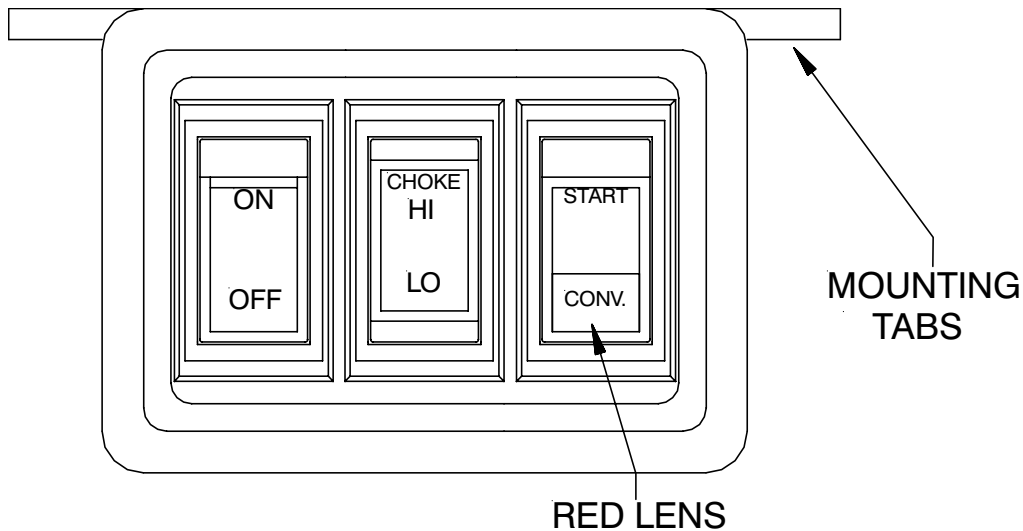
OPERATION



WARNING

BEFORE OPERATING THE CONTROL PANEL - MAKE SURE THAT NO ONE IS INSIDE THE HOPPER OR NEAR THE SPINNER.

1. Electric Throttle Control Panel Switch functions (Sequence of Operations)



- A. ON/OFF System power activated (ready to start). Spreader engine is not running. Spreader conveyor is not engaged.
- B. START (Engine only)
1. On On switch depressed.
 2. Choke (cold engine) Hold down for 5 seconds to move the throttle actuator to the choke position.
Note: Choking a warm engine may not be necessary
 3. Start Hold down until engine starts.
 4. LO / HI Decreases / increases engine speed - adjust as engine warms up. Lo will stop the choke function.
- C. TO ENGAGE Spreader Conveyor
1. Push CONV switch only after you are sure no one is in the hopper or near the spinner! This lights up the red indicator light, if light does not light, take care to verify that the light is not malfunctioning.

D. TO CONTROL Conveyor Speed.

1. Hold HI to increase speed. NOTE: Do not hold switch in HI position after the desired RPM is achieved or you will choke and/or stall the engine.
2. Hold LO to decrease speed.

E. TO DISENGAGE Spreader Conveyor.

1. Tap START switch momentarily so that red indicator light goes out. Do not fully depress the START switch, only half way is needed. Only the conveyor stops, the engine continues to run.

F. TO TURN ENGINE OFF (with or without conveyor running).

1. Depress LO on throttle control to reduce setting to idle (this prevents engine flooding and hard starting).
2. Push OFF position on the ON/OFF switch.

NOTE: OFF can be pushed at anytime during spreader operation to cut power to the unit. However, you should normally use steps under F above.

(Once the off switch is depressed - the starting procedure must be followed for engine re-start.)

G. Do not attempt to start the engine with the conveyor engaged. (CONV switch light will be lit to indicating its' being on.)



WARNING

1. As with all power equipment, safety is the number one concern.
2. Do not operate this equipment until you fully understand how it functions.
3. Before starting engine, be sure that no one is near the rear of the unit and that no one is inside the unit!
4. Do not start the engine or engage the conveyor (which is interconnected to the spinner); until everyone is clear from moving parts and flying material from the spinner.

SPREADER OPERATION

A. Start the engine and engage the clutch. The amount of material spread, depends on engine speed and gate opening. Decreasing RPM and/or gate height will decrease amount spread; the inverse holds true also. Notice that the electric clutch can be engaged or disengaged at any time and at any engine RPM. However, since engagement time and torque is almost instantaneous, to prevent premature spinner chain failure and chain tension loss, it is recommended that the electric clutch be engaged at the lowest possible RPM without stalling the engine.

If the truck is to be driven for an extended period of time while the spreader is not operating, it is best to turn off the gas at the carburetor inlet to prevent the carburetor from overflowing with fuel.

Before loading the spreader the first time, start and stop the conveyor several times to break in the clutch.



WARNING

**ALWAYS STAND AT A SAFE DISTANCE AWAY FROM THE SPINNER WHILE OPERATING
ALWAYS WEAR EYE PROTECTION WHEN OUTSIDE OF THE TRUCK CAB WHILE
SPREADER IS RUNNING.**

- B. Spread pattern depends on baffle settings and spinner RPM. Maximum spread width is 30 ft.
1. Speeding up or slowing down the engine will increase or decrease spread pattern width.
 2. Internal baffle adjustments will move the spread pattern to the right or left.
 3. External baffle adjustments will block spreading to the right or left side.

DESIRED SPREAD PATTERN	BAFFLE SETTING	
	INTERNAL	EXTERNAL
Centered Behind Truck	Both Down	All Three UP
All Material to the Right	RH - Up LH - Down	RH - Up LH - Down
All Material to the Left	RH - Down LH - Down	RH - Down LH - Up
Behind Truck and Left	RH - Down LH - Up	RH - Med. LH - Up
Behind Truck and Right	RH - Up LH - Down	RH - Up LH - Med.
Windrow Behind Truck	RH - Down LH - Down	All - Down

4. External Baffles can be lowered to an intermediate position to baffle down the particles that may otherwise leave the spinner at a high trajectory.

C. CALIBRATION

The average lbs. of salt per gearbox shaft revolution per inch of gate height is 6.7 lbs.

GATE HEIGHT	AVG. LBS/REV.	AVG. LBS/MIN.	AVG. LBS/MIN.
		AT FULL ENGINE RPM	AT 7 GPM HYD OIL FLOW
1"	6.7	260	200
3"	20.1	780	580
5"	33.5	1300	970
7"	46.9	1800	1350

MAINTENANCE



WARNING

**DO NOT ATTEMPT TO LIFT THE SPREADER BY THE CENTER LIFT OR
CORNER LIFT HOOKS WITH MATERIAL IN THE SPREADER.**

1. Grease idler bearings on idler shaft take up assembly, outboard bearing on gearbox output shaft, and lower spinner bearing every ten hours of operation.
2. Grease input shaft bearing on gearbox every fifty hours of operation. **CAUTION!** Over greasing may cause seal damage. The gearbox must be filled to oil level plug with SAE 90 gear type lubricant. Keep breather plug clean.
3. Drag chain slack on V-boxes should be checked periodically and taken up if distance between center line of rear sprocket and point where chain contacts lower flange on longitudinal is less than eight (8) inches.
4. If the spreader is equipped with a gasoline engine, it should be maintained per engine manufacturer's instruction. (Instructions and parts book is enclosed.)
5. V-belt tension must be maintained. The v-belt can be tightened by loosening engine hold-down bolts and sliding engine as required. **CAUTION!** Over tightening may damage gearbox.
6. Roller chain tension must be maintained. It is adjusted by loosening the spinner mounting bearings and sliding the bearings. Make sure the spinner shaft is straight up and down before retightening. Oil chain often and at end of season.
7. When the box is not in use, it should be washed out. If the box is put in storage, all surfaces should be oiled or painted after washing.
8. For HYDRAULIC SPREADERS, maintain oil level three fourths (3/4) full in reservoir with clean high grade non-foaming hydraulic oil; recommended viscosity 100-200 SSU. Operating temperature should be limited to 180 degrees F. Replace filter cartridge **#62382** at least twice a year.
9. If chain becomes stuck or "froze" to the floor to the point where the clutch cannot pull the load, never attempt to free chain using a pipe wrench or any other tool on the output shaft. The gearbox is designed to accept torque from input shaft only. Trying to turn output shaft will strip the gears, thus voiding the warranty.
10. To minimize problems and extend the life of the Electric Clutch, the following is highly recommended
 - a. Before starting unit, make sure the drag chain is free (not stuck or "froze" to the floor). If the drag chain is stuck, this can cause the clutch to burn up.
 - b. After the using season is over, remove clutch from unit, and clean thoroughly.
 - c. After cleaning, coat both mating surfaces of the clutch with oil or light weight grease.

NOTE: The Oil or Grease must be removed prior to the next using season.

HYDRAULICS



WARNING

Leaking high pressure fluids can inject themselves under the skin of persons near a leak, creating grave medical risks. TAKE CARE TO AVOID EXPOSURE TO HIGH PRESSURE FLUIDS.

1. Hydraulic components should be kept as clean as possible during assembly operations.
2. Galvanized pipe and pipe fittings must not be used because flaking or galvanizing material can cause damage to major hydraulic components.
3. A pipe joint sealant, compatible with hydraulic oil, must be applied to all screwed fittings. (Teflon tape is not recommended.)
4. Hose should be protected where severe wear may be caused by vibration or sliding movement.
5. Long runs of hose should be supported by tie wiring or clamping.
6. Pressure and return hoses, connected to hydraulic motors, may be reversed for proper motor rotation. Spinner rotates in a clockwise direction when looking down from top.
7. Use hose manufacturer's recommendations for fitting re-useable hose ends.
8. Hydraulic pumps must be mounted so shaft rotates in direction of arrow.
9. Locate reservoir as close to pump as possible. It may be installed on truck frame or truck box.
10. Hydraulic return line filter is screwed directly onto reservoir with cartridge down. Oil must flow through filter in direction of arrow on filter.
11. Install the quick connect couplings so that when disconnected, there is a male and female on the truck as well as on the spreader. This way, hoses will always be hooked up properly, and hose ends can be coupled together when spreader is in storage to prevent system contamination.
12. See page 11 for valve assembly
13. Operate hydraulic system for several minutes to warm up. Check all connections for leaks.
14. After running, refill reservoir to three fourths full.

CONTROL AND HYDRAULIC SYSTEM SPECIFICATIONS

*Hydraulic Oil Good Grade of MS10W Hydraulic Oil Which has wear, oxidation and foam inhibitors.

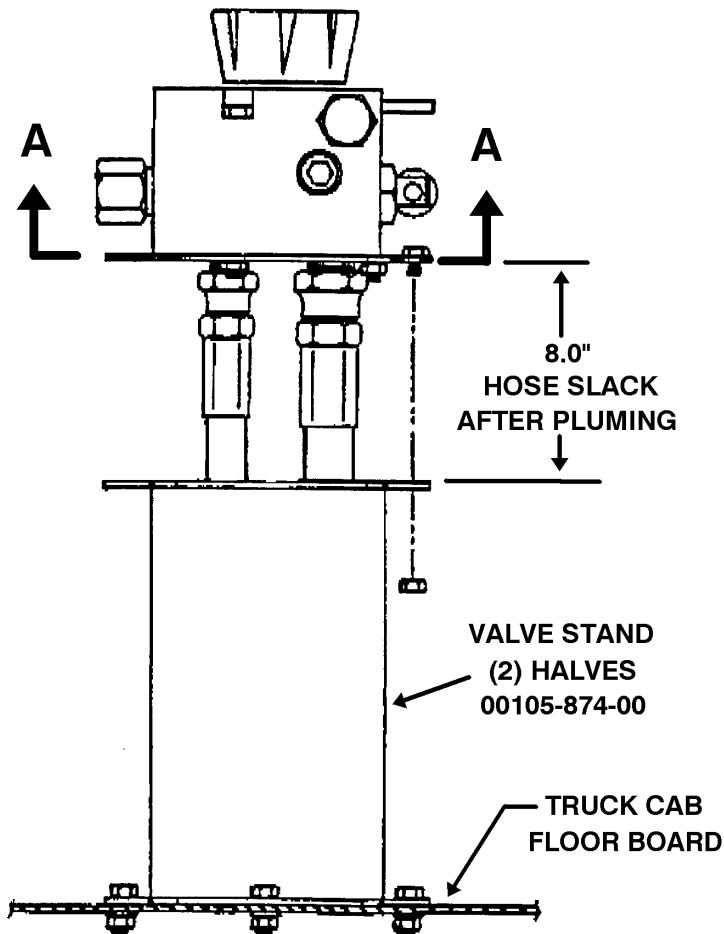
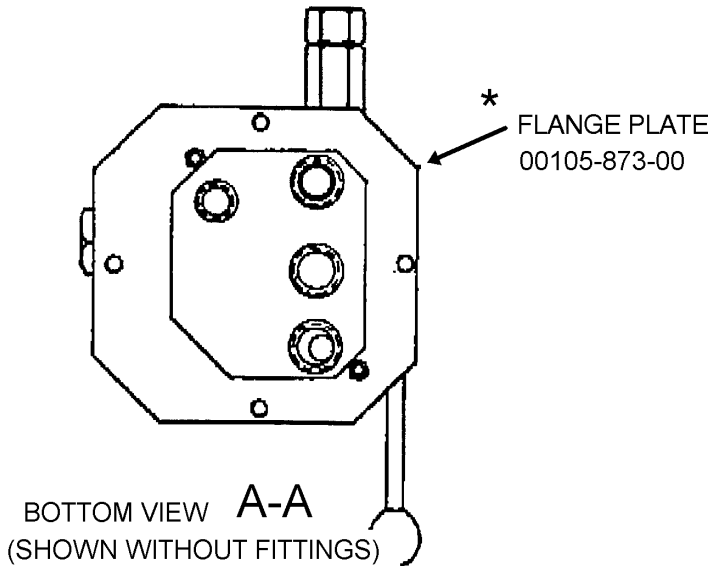
*Oil Filter 10 Micron Element Return Line Filter.

*Relief Valve Setting 1500 PSI

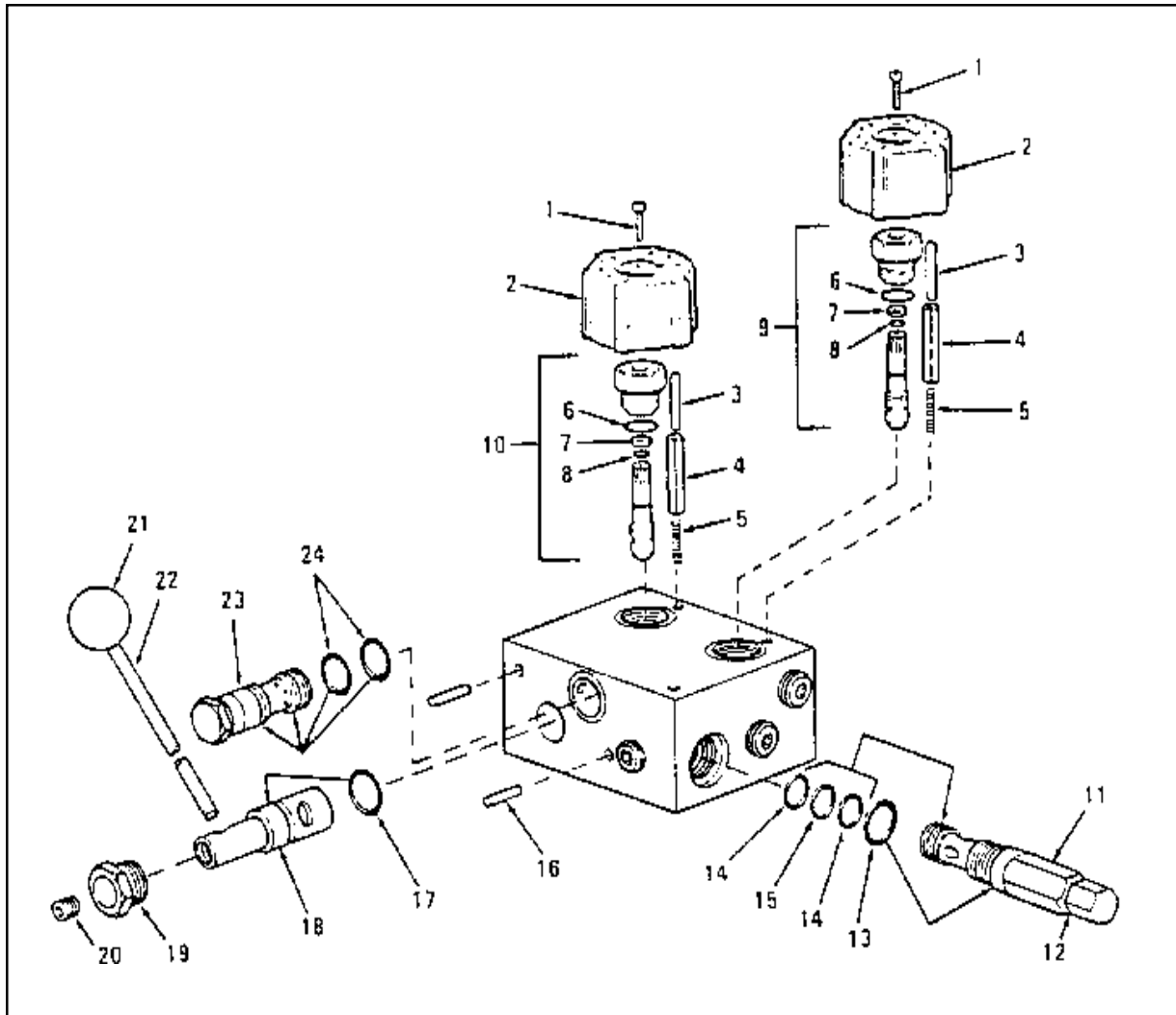
*Oil Flow 0 - 10 GPM - With single flow valve connect conveyor and spinner with dual flow valve.

*Oil Flow 0 - 15 GPM - With dual flow valve connect separate pressure line to conveyor and spinner motor.

DUAL FLOW VALVE/STAND INSTALLATION INSTRUCTIONS



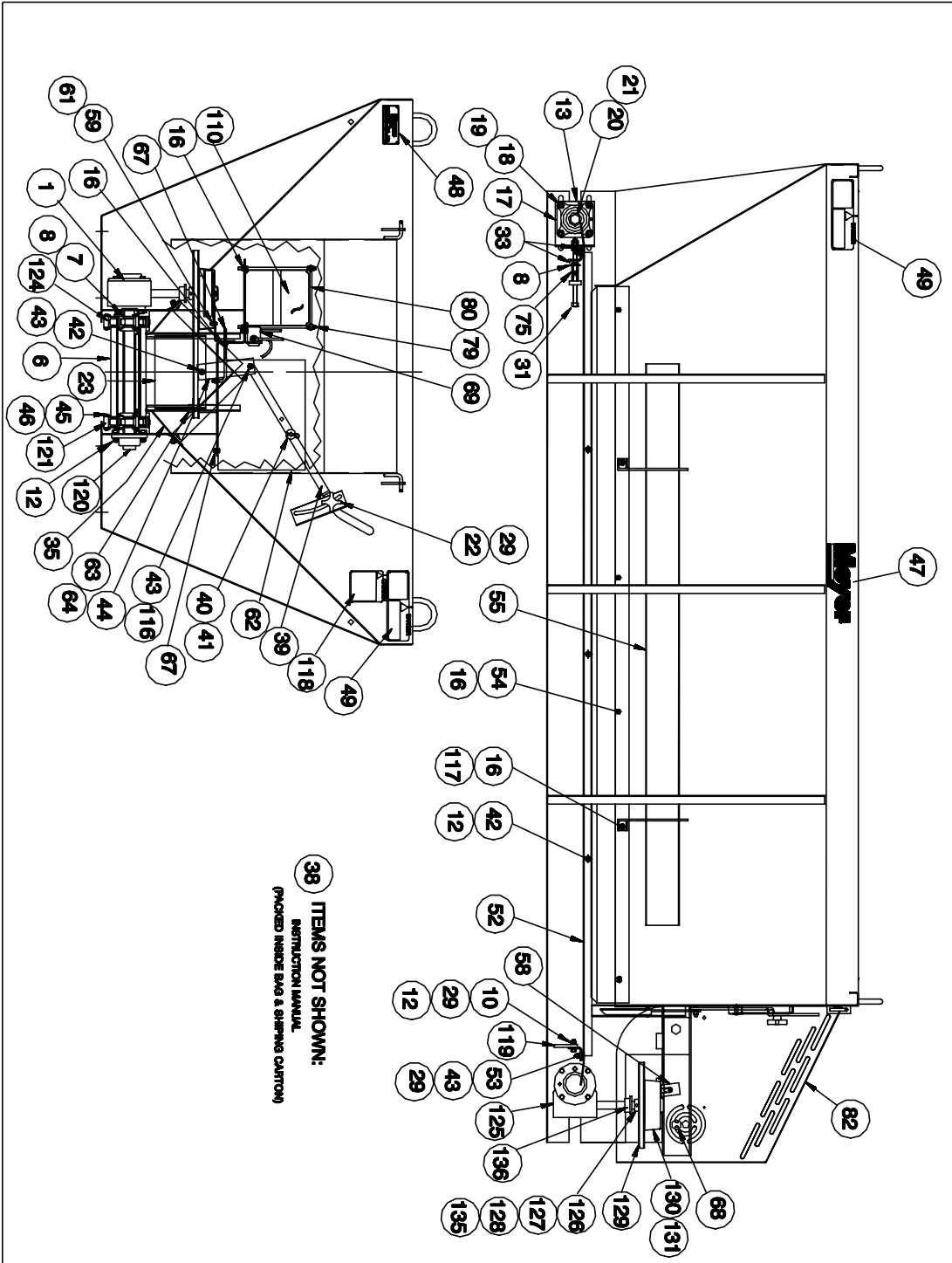
1. **IMPORTANT:** A pipe joint sealant compatible with hydraulic oil must be applied to all screw fittings. (Teflon Tape Sealant Is Not Recommended)
2. Hose ends connected to flow valve must be of the "swivel" type.
3. **CAUTION:** Over tightening of the fittings in flow valve may cause damage to valve body
4. Approximately 8" of hose slack must be realized between the flow valve and valve stand after the flow valve has been completely plumbed. If this condition does not exist after the plumbing has been completed, removal of valve will require hoses to be removed at opposite end of valve.
5. Assembly of valve on stand:
 - a. Cut a 5" x 5" square opening in floor board of truck where the valve stand is to be located.
 - b. Bolt valve stand halves together forming a "box" over the 5" x 5" square opening. **NOTE:** When bolting valve stand halves in place, make sure holes in flanges align with holes in flange plate.*
 - c. Bolt flange plate to VALVE (Use (2) 1/4" x 3" bolts, lockwashers, etc.)
 - d. Insert hoses through floor opening and valve stand and connect appropriate hoses (see instructions #1 thru #4) to flow valve.
 - e. Bolt flange plate to valve stand flanges.



**DUAL FLOW CONTROL VALVE
62213**

**PARTS LIST FOR DUAL HYDRAULIC FLOW CONTROL VALVE
(62213)**

Item	Part Number	Qty.	Description
1	62383	2	Screw
2	62098	2	Handknob
3	62384	2	Dowel Pin
4	62385	2	Roll Pin
5	62386	2	Spring
6	04105-285-06	2	O-Ring, Viton ®
7	04105-285-07	2	Back-up, Teflon
8	04105-285-08	2	O-Ring, Viton ®
-	62099		Kit, Seal - Consists of Items 6, 7 & 8
9	04105-285-10	1	Auger Adj. Assy. - 7 GPM
	04105-285-11	1	Auger Adj. Assy. -10 GPM
	62387	1	Auger Adj. Assy. - 15 GPM
	04105-285-13	1	Auger Adj. Assy. - 20 GPM
	04105-285-14	1	Auger Adj. Assy. -25 GPM
	04105-285-15	1	Auger Adj. Assy. - 30 GPM
10	04105-285-16	1	Spinner Adj. Assy. - 5 GPM
	62388	1	Spinner Adj. Assy. - 7 GPM
	04105-285-18	1	Spinner Adj. Assy. - 10GPM
11	62389	1	Relief Cartridge
12	04105-285-20	1	Gasket
13	62100	1	O-Ring, Viton ®
14	04105-032-30	2	Back-up, Teflon ®
15	62102	1	O-Ring, Viton ®
16	04105-285-24	2	Roll Pin
17	62103	1	O-Ring (Dump Stem)
18	04105-032-21	1	Stem (Not Available - Can no longer service)
19	04105-285-26	1	Plug
20	62390	1	Setscrew
21	62391	1	Handknob
22	62392	1	Lever
23	62393	1	Bypass Assy.
24	62104	2	O-Ring, Viton ®
			<u>NOT SHOWN</u>
	04105-285-40		Kit, Seal (For Item 11) Consists of Items: 12, 13, 14 & 15
	62394		Kit, Seal Consists of Items: 6, 7, 8, 12, 13, 14, 15, 17, 23 & 24



PARTS LIST FOR MDV ENGINE DRIVEN HOPPER ASSEMBLIES
(Carbon Steel)

Item	Part Number	Qty.	Description
1	00115-146-01	1	Weld, Hopper 840
	00115-146-02	1	Weld, Hopper 844
	00115-146-09	1	Weld, Hopper 940
	00115-146-10	1	Weld, Hopper 944
	00115-146-17	1	Weld, Hopper 1040
	00115-146-18	1	Weld, Hopper 1044
6	62343	1	Weld, Drag Chain, 8' MDV
	62344	1	Weld, Drag Chain, 9' MDV
	62345	1	Weld, Drag Chain, 10' MDV
7	20091	4	Bolt, 1/2-13 x 3/4 HH GR5 ZP
8	20329	6	Lockwasher, 1/2" Med Split ZP
10	20051	2	Bolt, 3/8-16 x 1-1/2 HH GR5 ZP
12	04003-806-02	10	Nut, 3/8-16 Serrated Flange ZP
13	62355	2	Bearing, 1-1/4"
16	20525	25	Nut, 5/16-18 Serrated Flange ZP
17	62302	2	Plate, Front Brg.
18	20226	8	Bolt, 1/2-13 x 1-3/4 Carriage GR5 ZP
19	20307	8	Locknut, 1/2-13 Nyl Ins ZP
20	62370	1	Weld, Idler Shaft
21	61171	1	Sprocket, Drag Chain
22	61169	1	Knob, Hand
23	62300	1	Feedgate, Forming
29	20353	7	Flatwasher, 3/8" U.S.S. ZP
31	62304	2	Weld, Take-up
33	62408	10	Nut, 1/2-13 Hex Jam ZP
35	62310	2	Shield, Rep. Chain 8'
	62308	2	Shield, Rep. Chain 9'
	62306	2	Shield, Rep. Chain 10'
38	00115-147-00M	1	Instruction Manual MDV (1-739)
39	62280	1	Handle
40	20354	1	Flatwasher, 7/16" U.S.S. ZP
41	04010-003-02	1	Pin, 1/8" x 1" Cotter
42	04003-033-12	7	Bolt, 3/8-16 x 3/4 Carriage SS
43	20305	8	Locknut, 3/8-16 Nyl Ins ZP
44	62270	1	Bar, Pivot
45	61204	2	Pin, Master for Chn W/O Cotter
46	04045-025-00	2	Pin, Cotter Only
47	21971	2	Decal, Meyer
48	21932	1	Decal, Serial (w/Pat. Nos.)
49	62009	2	Decal, Danger (Conveyor)
52	62292	1	Floor, Forming, 8'
	62290	1	Floor, Forming, 9'
	62288	1	Floor, Forming, 10'
53	62335	1	Screw, 3/8-16 x 1-3/16" SLT FL HD
54	04003-032-06	1	Bolt, 5/16-18 x 3/4 Carriage SS
55	62298	1	Weld, Inverted "V" 8'
	62296	1	Weld, Inverted "V" 9'
	62294	1	Weld, Inverted "V", 10'
56	61162	1	V-Belt
57	61168	1	Cover, Clutch
58	61176	1	Retainer, Clutch
59	04003-001-16	4	Bolt, 1/4-20 x 1 HH ZP
61	62187	4	Nut, 1/4-20 Serrated Flange
62	62133	1	Engine, 10-1/2 HP I/C
63	61196	1	Key, 1/4" Sq x 1
64	61177	1	Pulley, Driver

PARTS LIST FOR MDV ENGINE DRIVEN HOPPER ASSEMBLIES
(Carbon Steel)Continued

Item	Part Number	Qty.	Description
65	04003-002-06	1	Bolt, 5/16-18 x 1-1/2 HH GR5 ZP
66	61205	1	Bolt, "L"
67	20352	5	Flatwasher, 5/16" U.S.S. ZP
68	04093-022-00	2	Grommet, CA Plug Type (1 1/4")
69	61179	1	Solenoid, Grounded
70	62046	2	Terminal, Insulated Ring
71	62188	2	Connector, 16-14 Insulated Butt
73	62040	1	Cable, Battery
74	61213	1	Cable, Starter
75	62395	2	Spring, Linkage
76	04607-004-00	2	Clamp, 3/8" Nylon Cable
77	62191	2	Screw, #10-24 3/4 HWH TEKS/3
78	04607-001-00	1	Tie, Nylon 6"
79	61206	2	Rod, Battery
80	04604-017-00	1	Down Hold
81	20355	2	Flatwasher, 1/2" U.S.S. ZP
82	00115-140-01	1	Weld, Shroud
83	61215	1	Rod, Prop
84	20353	2	Flatwasher, 3/8" U.S.S. ZP
85	61231	2	Pin, 3/32" x 1" Cotter
88	04049-199-00	1	Decal, Gasoline Only
91	20235	4	Bolt, 1/2-13 x 4 Car GR5 PLN
94	20354	4	Flatwasher, 7/16" U.S.S. ZP
95	04010-003-02	2	Pin, 1/8" x 1" Cotter
96	20202	1	Bolt, 3/8-16 x 1 Car GR5 ZP
97	20305	1	Locknut, 3/8-16 Nyl Ins ZP
98	20048	4	Bolt, 3/8-16 x 7/8" HH GR5 ZP
99	04120-078-01	1	Hose, 3/8" x 13" (1) Wire
100	04110-006-03	1	Ell. 3/8" 90 Deg. Street
101	20203	1	Bolt, 3/8-16 x 1-1/4" Car GR5 ZP
104	62105	1	Boot, Batt. Cable, Straight
105	62106	1	Boot, Alt. Cable
106	04003-081-04	3	Screw, 5/16-18 x 3/4 Soc Cap
107	20327	3	Lockwasher, 3/8" Med Split ZP
109	04607-001-00	2	Tie, Nylon 6"
111	62174	1	Assy, Plate Actuator
112	62169	1	Assy, Control Cable
113	00113-668-00	1	Dia. Wiring/Instructions
115	04093-021-00	2	Trim, Vinyl
116	20203	1	Bolt, 3/8-16 x 1-1/4" Car GR5 ZP
117	20600	4	Bolt, 5/16-18 x 1 Car SS
118	62007	1	Decal, Caution
119	62354	1	Wiper, Chain
120	61163	1	Bearing, 1-1/4"
121	62284	2	Sprocket, Drive w/Set Screws
124	62000	2	Key, 1/4" SQ x 2"
125	61178	1	Assy, Gearbox
126	61202	1	Snap Ring, External
127	61201	2	Key, 1/4" x 7/8" Woodruff
128	00107-679-00	1	Washer
129	61161	1	Pulley, Driven
130	61167	1	Clutch, Electric
131	00108-771-00	1	Washer, Flat
132	04003-002-09	1	Bolt, 5/16-18 x 2 HH GR5 ZP
133	20326	3	Lockwasher, 5/16" Med Split ZP
134	04003-081-04	3	Screw, 5/16-18 x 3/4 Soc Cap
135	04001-001-01	1	Collar, Set 1" Per Print
136	61156	1	Sprocket, 41B13

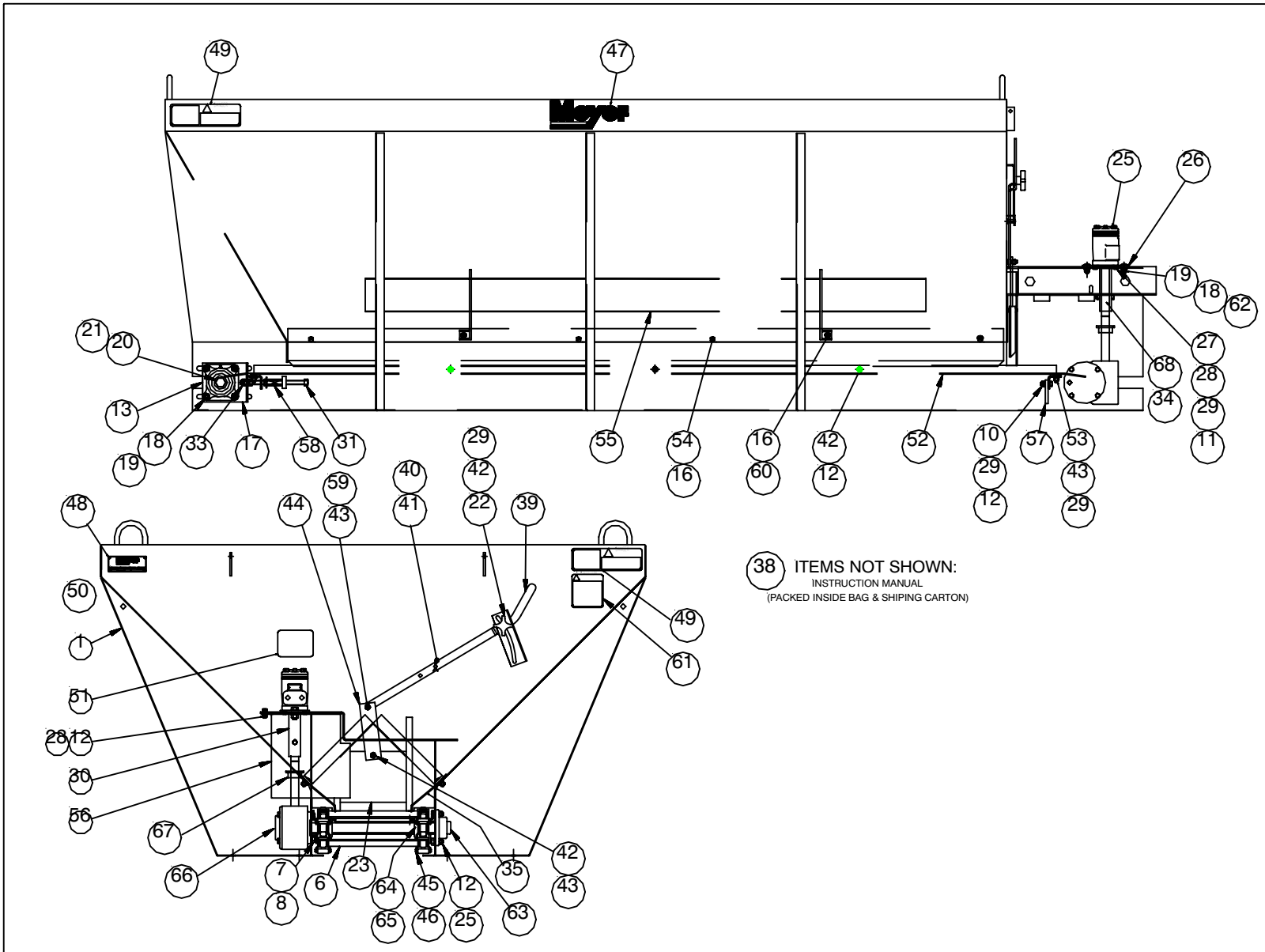
PARTS LIST FOR MDV ENGINE DRIVEN HOPPER ASSEMBLIES

(Stainless Steel)

Item	Part Number	Qty.	Description
1	00115-146-05	1	Weld, Hopper 840, S3
	00115-146-06	1	Weld, Hopper 844, S3
	00115-146-13	1	Weld, Hopper 940, S3
	00115-146-14	1	Weld, Hopper 944, S3
	00115-146-21	1	Weld, Hopper 1040, S3
	00115-146-22	1	Weld, Hopper 1044, S3
6	62343	1	Weld, Drag Chain, 8' MDV
	62344	1	Weld, Drag Chain, 9' MDV
	62345	1	Weld, Drag Chain, 10' MDV
7	04003-005-56	4	Bolt, 1/2-13 x 3/4 HH SS
8	04004-001-16	6	Lockwasher, 1/2" Med Split SS
10	04003-003-28	2	Bolt, 3/8-16 x 1 1/2 HH SS
12	04003-806-12	10	Nut, 3/8-16 Serrated Flange SS
13	62355	2	Bearing, 1-1/4"
16	04003-806-13	25	Nut, 5/16-18 Ser Flange SS
17	62302	2	Plate, Front Brg., S3
18	04003-034-19	8	Bolt, 1/2-13 x 1-3/4 Car NK SS
19	04003-804-07	8	Locknut, 1/2-13 Nyl Ins SS
20	62370	1	Weld, Idler Shaft
21	61171	1	Sprocket, Drag Chain
22	61169	1	Knob, Hand
23	62301	2	Feedgate, Forming, S3
29	04004-002-20	7	Flatwasher, 3/8" U.S.S. SS
31	62304	2	Weld, Take-up
33	62336	10	Nut, 1/2-13 Hex Jam SS
35	62311	2	Shield, Rep. Chain 8 Ft, S3
	62309	2	Shield, Rep. Chain 9 Ft, S3
	62307	2	Shield, Rep. Chain 10Ft, S3
38	00115-147-00	1	Instruction Manual MDV
39	62280	1	Handle
40	04004-002-32	1	Flatwasher, 7/16" U.S.S. SS
41	04010-003-02	1	Pin, 1/8" x 1" Cotter
42	04003-033-12	7	Bolt, 3/8-16 x 3/4 Car SS
43	04003-804-08	8	Locknut, 3/8-16 Nyl Ins SS
44	62270	1	Bar, Pivot
45	62346	2	Pin, Master for Chn W/O Cotter
46	04045-025-00	2	Pin, Cotter Only
47	21971	2	Decal, Meyer
48	21932	1	Decal, Serial (w/Pat.Nos.)
49	04049-182-00	2	Decal, Danger (Conveyor)
50	04049-229-00	1	Decal, Stainless Steel
52	62293	1	Floor, Forming, 8', S3
	62291	1	Floor, Forming, 9', S3
	62289	1	Floor, Forming, 10', S3
53	04003-025-02	4	Screw, 3/8-16 x 1- 3/16" Slit Fl SS
54	04003-032-06	8	Bolt, 5/16-18 x 3/4 Car SS
55	62299	1	Weld, Inverted "V" 8', S3
	62297	1	Weld, Inverted "V" 9', S3
	62295	1	Weld, Inverted "V" 10', S3
56	61162	1	V-Belt
57	61168	1	Cover, Clutch
58	61176	1	Retainer, Clutch
59	04003-001-16	4	Bolt, 1/4-20 x 1" H H SS
61	04003-806-15	4	Nut, 1/4-20 Ser Flange SS
62	62133	1	Engine, 10 1/2 HP I/C
63	62397	1	Key, 1/4" SQ x 1
64	61177	1	Pulley, Driver
65	04003-002-21	3	Bolt, 5/16-18 x 1-1/2 HH SS
66	61205	1	Bolt, "L"
67	04004-002-25	5	Flatwasher, 5/16" U.S.S. SS
68	04093-022-00	2	Grommet, CA Plug Type (1-1/4")

PARTS LIST FOR MDV ENGINE DRIVEN HOPPER ASSEMBLIES
(Stainless Steel)

Item	Part Number	Qty.	Description
69	61179	1	Solenoid, Grounded
70	62046	2	Terminal, Insulated Ring
71	62188	2	Connector, 16-14 Insulated Butt
73	62040	1	Cable, Battery
74	61213	1	Cable, Starter
75	62395	2	Spring, Linkage
76	04607-004-00	2	Clamp, 3/8" Nylon Cable
77	04002-069-02	2	Screw, #10-24 x 3/4 HWH TEKS/3 SS
78	04607-001-00	1	Tie, Nylon 6"
79	61206	2	Rod, Battery
80	04604-017-00	1	Down, Hold
81	04004-002-22	2	Flatwasher, 1/2" U.S.S. SS
82	00115-140-02	1	Weld, Shroud, S3
83	61215	1	Rod, Prop
84	04004-002-20	2	Flatwasher, 3/8" U.S.S.SS
85	61231	2	Pin, 3/32" x 1" Cotter
88	04049-199-00	1	Decal, Gasoline Only
91	20235	4	Bolt, 1/2-13 x 4 Car GR5 Pin
94	04004-002-32	4	Flatwasher, 7/16" SS
95	04010-003-02	2	Pin, 1/8" x 1" Cotter
96	04003-033-03	1	Bolt, 3/8-16 x 1" Car SS
97	04003-804-08	1	Locknut, 3/8-16 Nyl Ins SS
98	04003-003-24	4	Bolt, 3/8-16 x 3/4 HH SS
99	04120-078-01	1	Hose, 3/8" x 13" (1) Wire
100	04110-006-03	1	Ell., 3/8" 90 Deg Street
101	04003-033-05	1	Bolt, 3/8-16 x 1-1/4" Car SS
104	62105	1	Boot, Batt. Cable, Straight
105	62106	1	Boot, Alt. Cable
106	04003-081-04	3	Screw, 5/16-18 x 3/4" Soc Cap
107	04004-001-14	3	Lockwasher, 3/8" Med Split SS
109	04607-001-00	2	Tie, Nylon 6"
111	62174	1	Assy, Plate Actuator
112	62169	1	Assy, Control Cable
113	00113-668-00	1	Dia. Wiring/Instructions
116	04003-033-05	1	Bolt, 3/8-16 x 1-1/4" Car SS
117	04003-032-04	4	Bolt, 5/16-18 x 1" Car SS
118	62007	1	Decal, Caution
119	62354	1	Wiper, Chain
120	61163	1	Bearing, 1-1/4"
121	62284	2	Sprocket, Drive w/Set Screws
124	62000	2	Key, 1/4" Sq. x 2"
125	61178	1	Assy, Gearbox
126	61202	1	Snap Ring, External
127	61201	2	Key, 1/4" x 7/8" Woodruff
128	00107-679-00	1	Washer
129	61161	1	Pulley, Driven
130	61167	1	Clutch, Electric
131	00108-771-00	1	Washer, Flat
132	04003-002-09	1	Bolt, 5/16-18 x 2 HH GR5 ZP
133	20326	3	Lockwasher, 5/16" Med Split ZP
134	04003-081-04	3	Screw, 5/16-18 x 3/4 Soc Cap
135	04001-001-01	1	Collar, Set 1" Per Print
136	61156	1	Sprocket, 41B13



**PARTS LIST FOR MDV HYDRAULIC HOPPER ASSEMBLIES
(Carbon Steel)**

Item	Part Number	Qty.	Description
	00115-146-01	1	Weld, Hopper 840
	00115-146-02	1	Weld, Hopper 844
	00115-146-09	1	Weld, Hopper 940
	00115-146-10	1	Weld, Hopper 944
	00115-146-17	1	Weld, Hopper 1040
	00115-146-18	1	Weld, Hopper 1044
5	61201	1	Key, 1/4" x 7/8" Woodruff
6	62343	1	Weld, Drag Chain, 8' MDV
	62344	1	Weld, Drag Chain, 9' MDV
	62345	1	Weld, Drag Chain, 10' MDV
7	20091	4	Bolt, 1/2-13 x 3/4 HH GR5 ZP
8	20329	4	Lockwasher, 1/2" Med Split ZP
10	20051	2	Bolt, 3/8-16 x 1-1/2 HH GR5 ZP
11	20327	4	Lockwasher, 3/8" Med Split ZP
12	04003-806-02	10	Nut, 3/8-16 Serrated Flange ZP
13	62355	2	Bearing, 1-1/4"
16	04003-806-13	29	Nut, 5/16-18 Ser Flange ZP
17	62302	2	Plate, Front Brg.
18	20226	10	Bolt, 1/2-13 x 1-3/4 Car GR5 ZP
19	20307	10	Locknut, 1/2-13 Nyl Ins ZP
20	62370	1	Weld, Idler Shaft
21	61171	1	Sprocket, Drag Chain
22	61169	1	Knob, Hand
23	62300	2	Feedgate, Forming
25	62398	1	Motor, Hydraulic (AA)
26	62399	1	Plate, Motor Mtg.
27	62202	4	Bushing, 3/8" I.D. x 5/8" O.D.
28	20049	4	Bolt, 3/8-16 x 1 HH GR5 ZP
29	20353	10	Flatwasher, 3/8" U.S.S. ZP
30	62073	1	Coupling, Shaft
31	62304	2	Weld, Take-up
33	62408	10	Nut, 1/2-13 Hex Jam ZP
34	04007-005-04	2	Setscrew. 1/4-20 x 3/8" AL HD
35	62310	2	Shield, Rep. Chain 8'
	62308	2	Shield, Rep. Chain 9'
	62309	2	Shield, Rep. Chain 10'
38	-----	1	Instruction Manual MDV
39	00110-817-00	1	Handle
40	20354	1	Flatwasher, 7/16" U.S.S. ZP
41	04010-003-02	1	Pin, 1/8" x 1" Cotter
42	04003-033-12	8	Bolt, 3/8-16 x 3/4 Car SS
43	20314	6	Locknut, 3/8-16 Nyl Ins ZP
44	62270	1	Bar, Pivot
45	61204	2	Pin, Master for Chn W/O Cotter
46	04045-025-00	2	Pin, Cotter Only
47	21971	2	Decal, Meyer
48	21932	1	Decal, Serial (w/Pat.Nos.)
49	62009	2	Decal, Danger (Conveyor)
52	62292	1	Floor, Forming, 8'
	62290	1	Floor, Forming, 9'
	62288	1	Floor, Forming, 10'
53	62335	4	Screw, 3/8-16 x 1-3/16" SILT FIL HD
54	00400-032-06	8	Bolt, 5/16-18 x 3/4 Car SS

PARTS LIST FOR MDV HYDRAULIC HOPPER ASSEMBLIES (Carbon Steel)

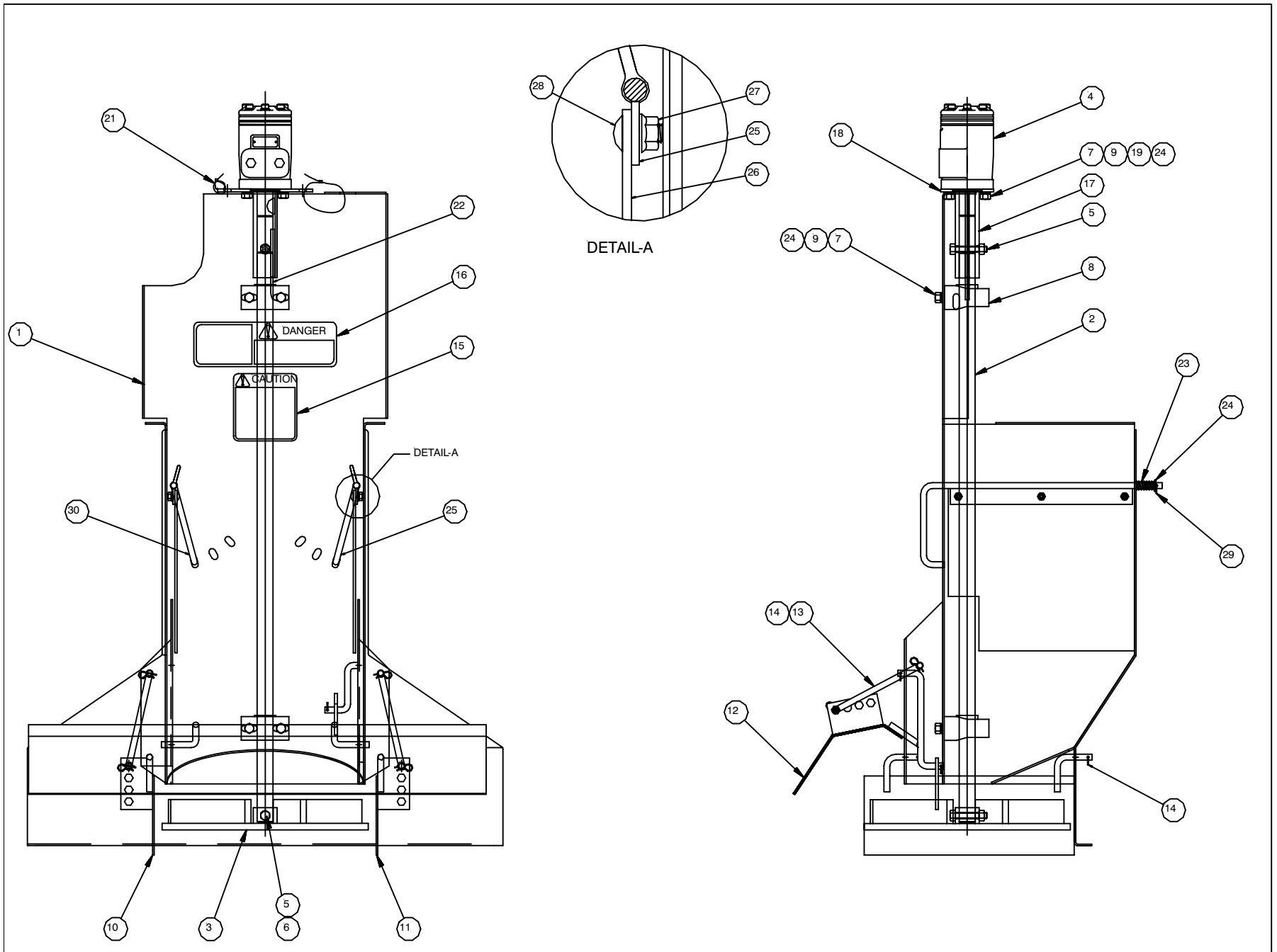
Item	Part Number	Qty.	Description
55	62298	1	Weld, Inverted "V" 8'
	62296	1	Weld, Inverted "V" 9'
	62294	1	Weld, Inverted "V" 10'
56	62314	1	Guard, Shaft
59	20203	1	Bolt, 3/8-16 x 1-1/4 Car GR5 ZP
60	04003-032-04	4	Bolt, 5/16-18 x 1 Car SS
61	62007	1	Decal, Caution
62	04004-002-22	2	Flatwasher, 1/2" U.S.S. SS
63	62400	1	Bearing, 1-1/4"
64	62284	2	Sprocket Drive 2/Set Screws
65	62401	2	Key, 1/4" SQ. x 2"
66	62402	1	Assy, Gearbox
67	61156	1	Sprocket, 41B13
68	04009-001-00	1	Key, 1/4" x 7/8" Woodruff

PARTS LIST FOR MDV HYDRAULIC HOPPER ASSEMBLIES (Stainless Steel)

Item	Part Number	Qty	Description
1	00115-146-05	1	Weld, Hopper 840, S3
	00115-146-06	1	Weld, Hopper 844, S3
	00115-146-13	1	Weld, Hopper 940, S3
	00115-146-14	1	Weld, Hopper 944, S3
	00115-146-21	1	Weld, Hopper 1040, S3
	00115-146-22	1	Weld, Hopper 1044, S3
5	61201	1	Key, 1/4" x 7/8" Woodruff
6	62343	1	Weld, Drag Chain, 8' MDV
	62344	1	Weld, Drag Chain, 9' MDV
	62345	1	Weld, Drag Chain, 10' MDV
7	04003-005-56	4	Bolt, 1/2-13 x 3/4 HH SS
8	04004-001-16	4	Lockwasher, 1/2" Med Split SS
10	04003-003-28	2	Bolt, 3/8-16 x 1-1/2 HH SS
11	04004-001-14	4	Lockwasher, 3/8" Med Split SS
12	04003-806-12	10	Nut, 3/8-16 Serrated Flange SS
13	62355	2	Bearing, 1-1/4"
16	04003-806-13	29	Nut, 5/16-18 Ser Flange SS
17	62303	2	Plate, Front Brg., S3
18	04003-034-19	10	Bolt, 1/2-13 x 1-3/4 Car NK SS
19	04003-804-07	10	Locknut, 1/2-13 Nyl Ins SS
20	62370	1	Weld, Idler Shaft
21	61171	1	Sprocket, Drag Chain
22	61169	1	Knob, Hand
23	62301	2	Feedgate, Forming,
25	62398	1	Motor, Hydraulic (AA)
26	62368	1	Plate, Motor Mtg., S3
27	62339	4	Bushing, Spacer, S3
28	04003-003-20	4	Bolt, 3/8-16 x 1 HH SS
29	04004-002-20	10	Flatwasher, 3/8" U.S.S. SS
30	62073	1	Coupling, Shaft
31	62304	2	Weld, Take-up
33	62336	10	Nut, 1/2-13 Hex Jam
34	04007-005-04	2	Setscrew. 1/4-20 x 3/8" AL HD
35	62311	2	Shield, Rep. Chain 8'
	62309	2	Shield, Rep. Chain 9'
	62307	2	Shield, Rep. Chain 10'
38	00115-147-00	1	Instruction Manual MDV
39	62280	1	Handle
40	04004-002-32	1	Flatwasher, 7/16" U.S.S. SS
41	04010-003-02	1	Pin, 1/8" x 1" Cotter
42	04003-033-12	8	Bolt, 3/8-16 x 3/4 Car
43	04003-804-08	6	Locknut, 3/8-16 Nyl Ins SS
44	62270	1	Bar, Pivot
45	61204	2	Pin, Master for Chn W/O Cotter
46	04045-025-00	2	Pin, Cotter Only
47	21971	2	Decal, Meyer
48	21932	1	Decal, Serial (w/Pat. Nos.)
49	04049-182-00	2	Decal, Danger (Conveyor)
50	04049-229-00	1	Decal, Stainless Steel
52	62293	1	Floor, Forming, 8 Ft., S3
	62291	1	Floor, Forming, 9 Ft. S3
	62289	1	Floor, Forming, 10 Ft. , S3
53	04003-025-02	1	Screw, 3/8-16 x 1-3/16" SLT FL SS
54	04003-032-06	1	Bolt, 5/16-18 x 3/4 Car SS
55	62299	1	Weld, Inverted "V" 8 FT. S3
	62297	1	Weld, Inverted "V" 9 FT. S3
	62295	1	Weld, Inverted "V" 10 FT. S3

**PARTS LIST FOR MDV HYDRAULIC HOPPER ASSEMBLIES
(Stainless Steel)**

Item	Part Number	Qty.	Description
56	62315	1	Guard, Shaft, S3
57	62354	1	Wiper, Chain
58	62395	2	Spring, Linkage
59	04003-033-05	1	Bolt, 3/8-16 x 1-1/4 Car SS
60	04003-032-04	4	Bolt, 5/16-18 x 1 Car SS
61	62007	1	Decal, Caution
62	04004-002-22	2	Flatwasher, 1/2" U.S.S. SS
63	61163	1	Bearing, 1-1/4"
64	62284	2	Sprocket, Drive W/Set Screws
65	62000	2	Key, 1/4" SQ. x 2"
66	61178	1	Assy, Gearbox
67	61156	1	Sprocket, 41B13
68	61201	1	Key, 1/4" x 7/8" Woodruff

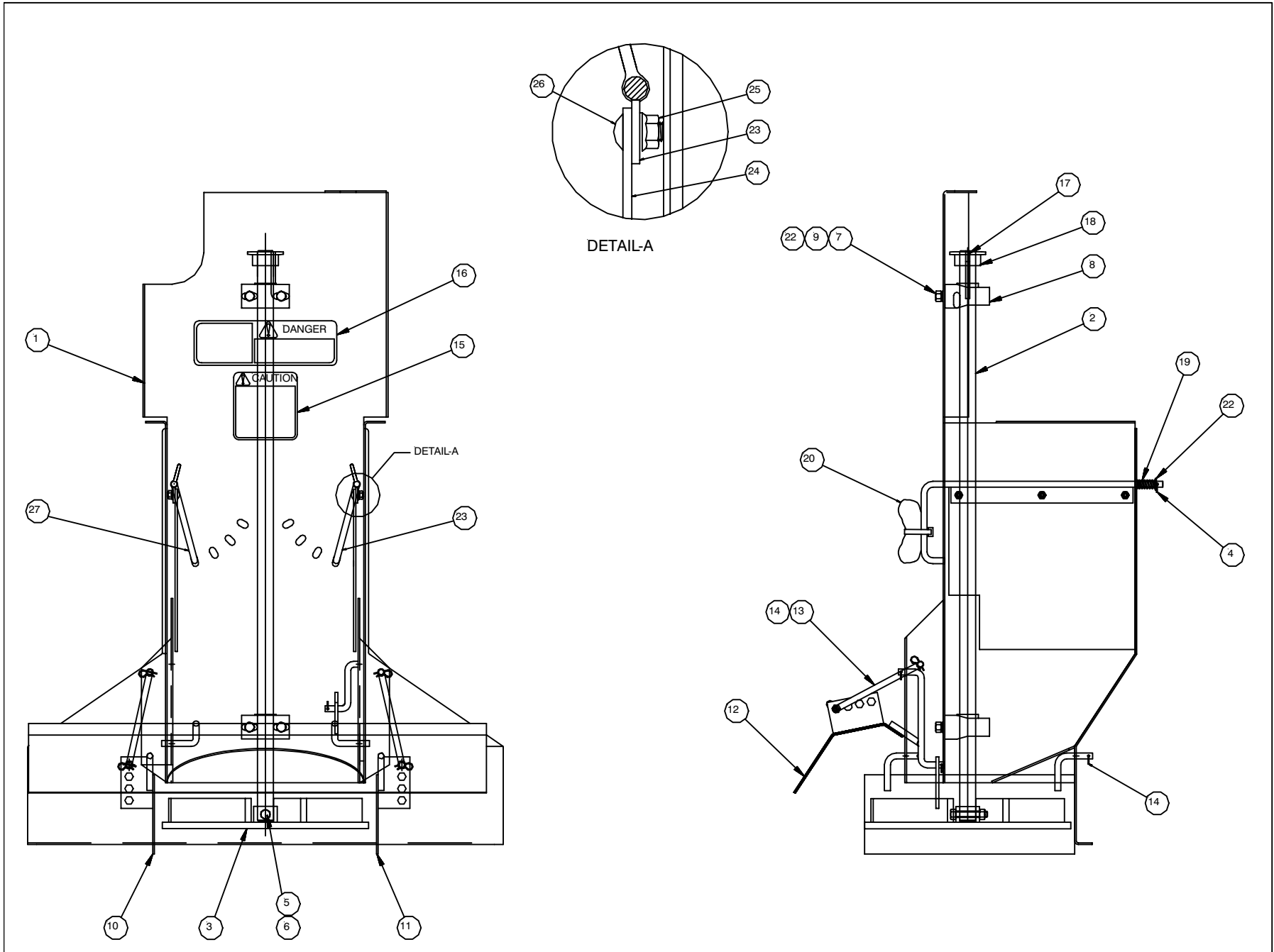


**PARTS LIST FOR HYDRAULIC SPINNER ASSEMBLY
(Carbon Steel)**

Item	Part Number	Qty.	Description
1	62312	1	Weld, Spinner Frame
2	62057	1	Shaft, Spinner (Long)
3	62146	1	Disc, Poly Spinner 13"
4	60324	1	Motor, Hydraulic (AA)
5	04003-003-06	2	Bolt, 3/8-16 x 2" HH GR5 ZP
6	04003-807-09	2	Locknut, 3/8-16 Cen Lock ZP
7	04003-003-01	8	Bolt, 3/8-16 x 3/4 HH GR5 ZP
8	62356	2	Bearing, 1" Tapped Base
9	20327	8	Lockwasher, 3/8" Med Split ZP
10	61181	1	Weld, Baffle, L.H.
11	61182	1	Weld, Baffle, R.H.
12	61183	1	Weld, Baffle, Rear
13	62313	3	Bar, Link, S3
14	61232	12	Keeper, Hairpin Small
15	62007	1	Decal, Caution
16	62006	1	Decal, Danger (Spinner)
17	62073	1	Coupling, Shaft
18	62201	1	Plate, Motor Mtg.
19	62202	4	Bushing, 3/8" I.D. x 5/8" O.D.
21	00115-152-00	1	Bag, Hardware
22	04031-017-00	1	Key, 1/4" SQ x 3" Straight
23	62358	2	Spring, Compression
24	20353	10	Flatwasher, 3/8" U.S.S. ZP
25	62331	1	Weld, Handle
26	62305	2	Plate, Baffle
27	04003-806-15	6	Nut, 1/4-20 Ser. Flange SS
28	04003-031-06	6	Bolt, 1/4-20 x 1/2" Car SS
29	04010-016-01	2	Pin, 1/8" x 1" Cotter SS
30	62333	1	Weld, Handle

**PARTS LIST FOR HYDRAULIC SPINNER ASSEMBLY
(Stainless Steel)**

Item	Part Number	Qty.	Description
1	00115-148-02	1	Weld, Spinner Frame, S3
2	62057	1	Shaft, Spinner (Long)
3	62146	1	Disc, Poly Spinner 13"
4	60324	1	Motor, Hydraulic (AA)
5	04003-003-29	2	Bolt, 3/8-16 x 2" HH SS
6	04003-807-18	2	Locknut, 3/8-16 Cen Lock SS
7	04003-003-24	8	Bolt, 3/8-16 x 3/4 HH SS
8	62356	2	Bearing, 1" Tapped Base
9	04004-001-14	8	Lockwasher, 3/8" Med Split SS
10	00104-811-01	1	Weld, Baffle, L.H., S3
11	62272	1	Weld, Baffle, R.H., S3
12	62275	1	Weld, Baffle, Rear, S3
13	62313	3	Bar, Link, S3
14	04011-001-05	12	Keeper, Hairpin #7 SS
15	62007	1	Decal, Caution
16	62006	1	Decal, Danger (Spinner)
17	62073	1	Coupling, Shaft
18	62201	1	Plate, Motor Mtg., S3
19	62239	4	Bushing, Spacer, S3
21	00115-152-00	1	Bag, Hardware
22	04031-017-00	1	Key, 1/4" SQ x 3" Straight
23	62358	2	Spring, Compression
24	04004-002-20	10	Flatwasher, 3/8" U.S.S. SS
25	00115-545-02	1	Weld, Handle
26	00115-127-02	2	Plate, Baffle, S3
27	04003-806-15	6	Nut, 1/4-20 Ser. Flange SS
28	04003-031-06	6	Bolt, 1/4-20 x 1/2" Car SS
29	04010-016-01	2	Pin, 1/8" x 1" Cotter SS
30	00115-580-02	1	Weld, Handle L.H., S3



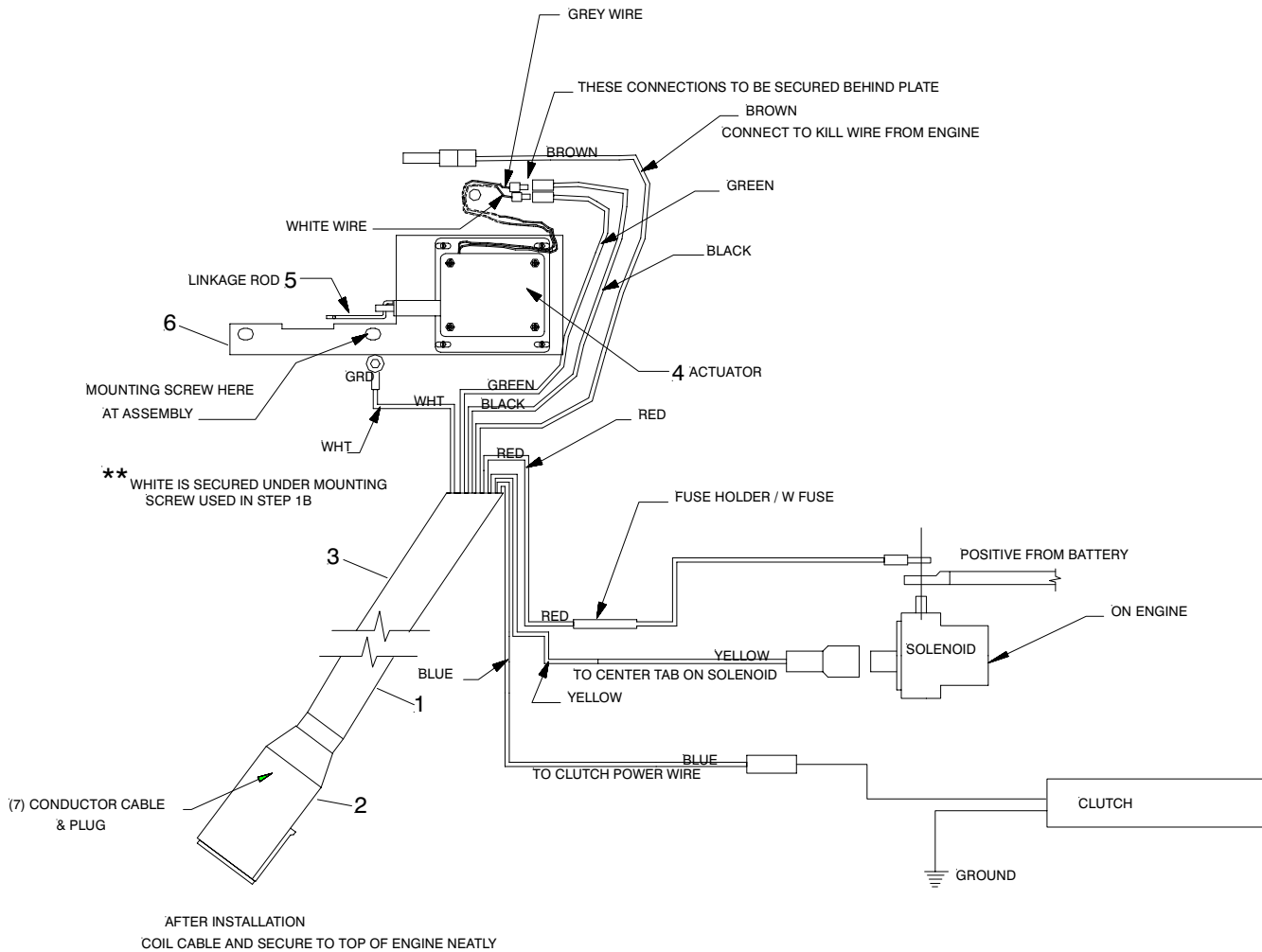
**PARTS LIST FOR ENGINE DRIVEN SPINNER ASSEMBLY
(Carbon Steel)**

Item	Part Number	Qty.	Description
	62312	1	Weld, Spinner Frame
2	62057	1	Shaft, Spinner (Long)
3	62146	1	Disc, Poly Spinner 13"
4	04010-016-01	2	Pin, 1/8" x 1" Cotter SS
5	04003-003-06	1	Bolt, 3/8-16 x 2 HH GR5 ZP
6	04003-807-09	1	Locknut, 3/8-16 Cen Lock ZP
7	04003-003-01	4	Bolt, 3/8-16 x 3/4 HH GR5 ZP
8	62356	2	Bearing, 1" Tapped Base
9	20327	4	Lockwasher, 3/8" Med Split ZP
10	61181	1	Weld, Baffle, L.H.
11	61182	1	Weld, Baffle, R.H.
12	61183	1	Weld, Baffle, Rear
13	62313	3	Bar, Link, S3
14	61232	12	Keeper, Hairpin Small
15	62007	1	Decal, Caution
16	62006	1	Decal, Danger (Spinner)
17	61196	1	Key, 1/4" SQ x 1
18	61156	1	Sprocket, 41 B1 3
19	62358	2	Spring, Compression
20	00115-165-00	1	Bag, Hardware
22	20353	6	Flatwasher, 3/8" U.S.S. ZP
23	62331	1	Weld, Handle
24	62305	2	Plate, Baffle
25	04003-806-15	6	Nut, 1/4-20 Ser Flange SS
26	04003-031-06	1	Bolt, 1/4-20 x 1/2" Car SS
27	62333	1	Weld, Handle

**PARTS LIST FOR ENGINE DRIVEN SPINNER ASSEMBLY
(Stainless Steel)**

Item	Part Number	Qty.	Description
1	00115-148-02	1	Weld, Spinner Frame, S3
2	62057	1	Shaft, Spinner (Long)
3	62146	1	Disc, Poly Spinner 13"
4	04010-016-01	2	Pin, 1/8" x 1" Cotter SS
5	04003-003-29	1	Bolt, 3/8-16 x 2 HH SS
6	04003-807-18	1	Locknut, 3/8-16 Cen Lock SS
7	04003-003-24	4	Bolt, 3/8-16 x 3/4 HH SS
8	62356	2	Bearing, 1" Tapped Base
9	04004-001-14	4	Lockwasher, 3/8" Med Split SS
10	00104-811-01	1	Weld, Baffle, L.H., S3
11	62272	1	Weld, Baffle, R.H., S3
12	62275	1	Weld, Baffle, Rear, S3
13	62313	3	Bar, Link, S3
14	61232	12	Keeper, Hairpin Small
15	62007	1	Decal, Caution
16	62006	1	Decal, Danger (Spinner)
17	61196	1	Key, 1/4" SQ x 1
18	61156	1	Sprocket, 41 B1 3
19	62358	2	Spring, Compression
20	00115-165-00	1	Bag, Hardware
22	04004-002-20	6	Flatwasher, 3/8" U.S.S. SS
23	00115-545-02	1	Weld, Handle, S3
24	00115-127-02	2	Plate, Baffle, S3
25	04003-806-15	6	Nut, 1/4-20 Ser. Flange SS
26	04003-031-06	6	Bolt, 1/4-20 x 1/2" Car SS
27	00115-580-02	1	Weld, Handle L.H., S3 .

ELECTRIC CONTROLS PARTS & SCHEMATIC (Honda)

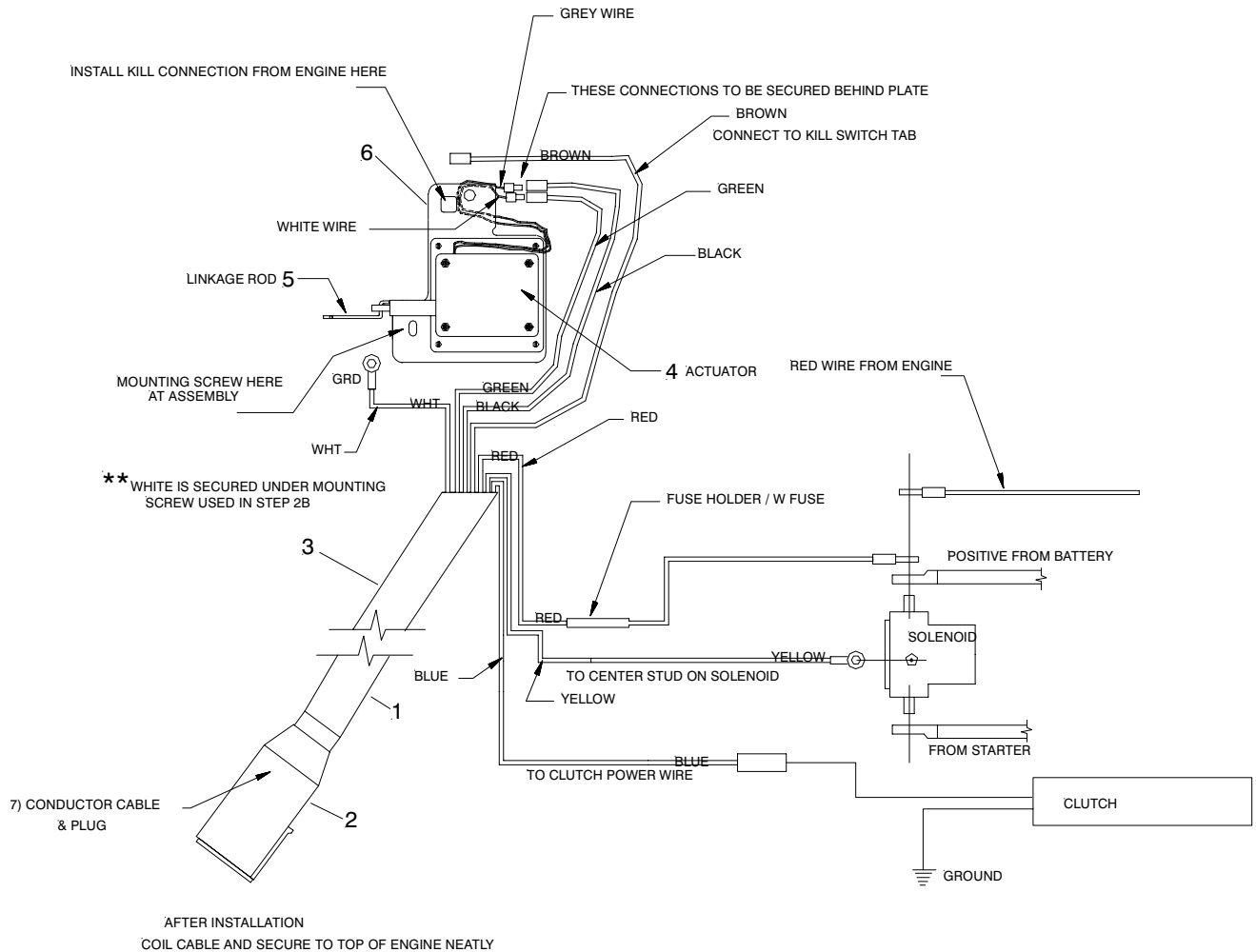


WIRING AT THE ENGINE

NOTE: The plug is wired to the cable as indicated on the connector.
(That is; red to red, black to black, etc.)

Item	Part No.	Qty.	Description
1	00115-189-00		Assy, Control Cable
2	62119	1	Plug, 7 Conductor
3	62170	1	Conductor-7, 14 ga. 103"
4	62081	1	Actuator, Linear
5	62324	1	Rod, Linkage
6	62322	1	Plate, Throttle
	62323	1	Assy, Throttle Plate (Includes Items 4, 5, & 6)

ELECTRIC CONTROLS PARTS & SCHEMATIC (Briggs & Stratton)

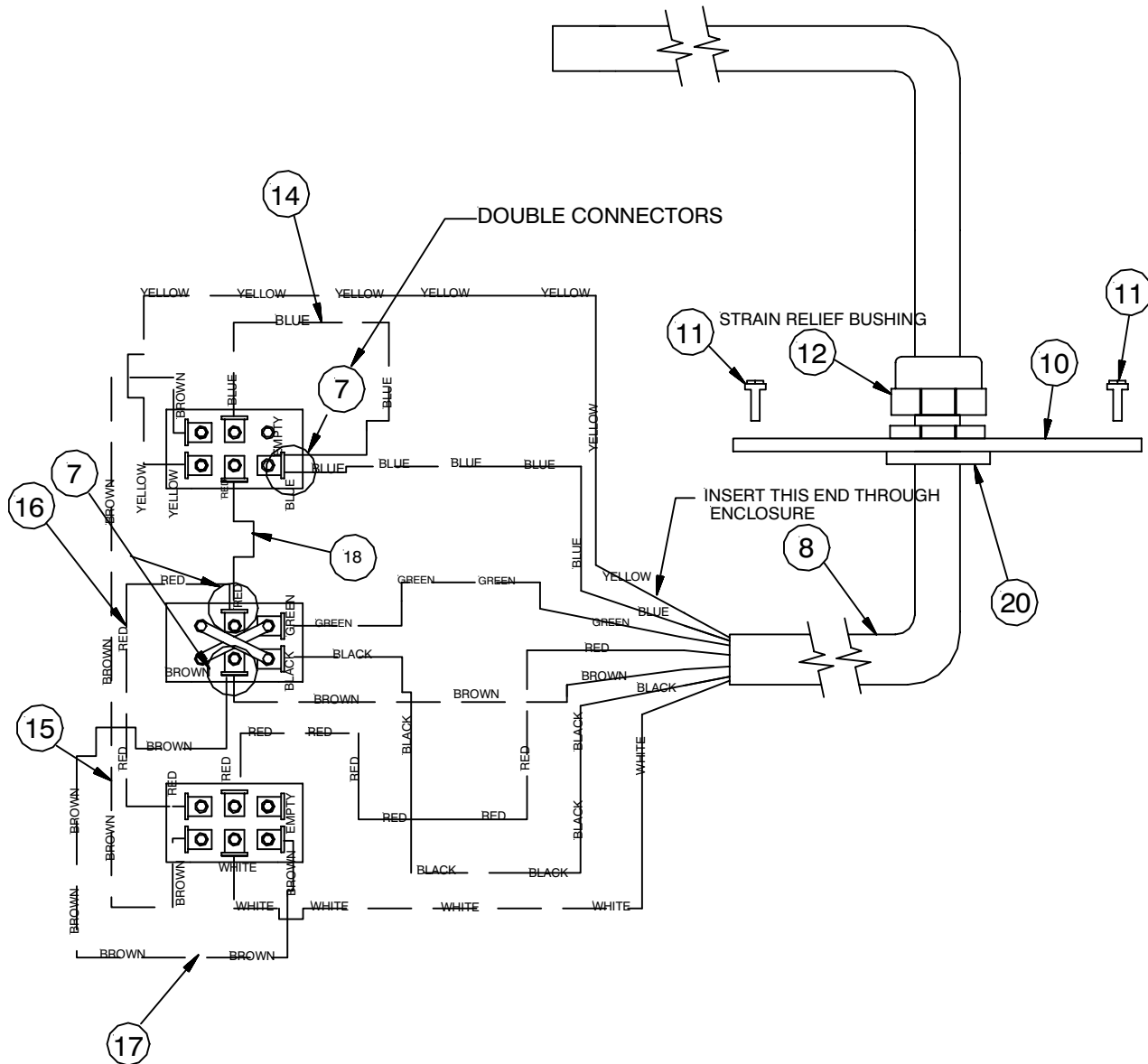
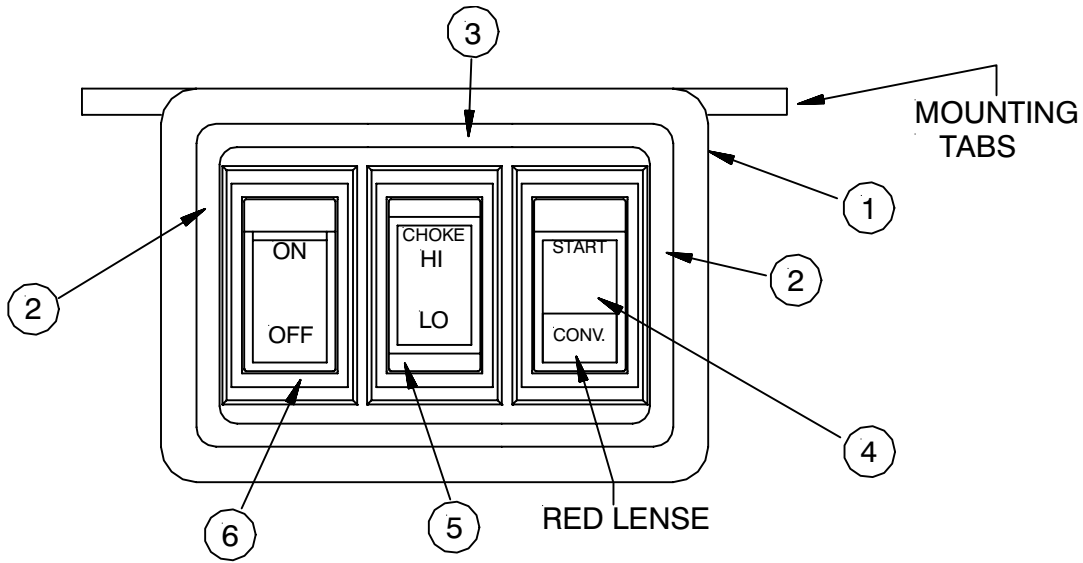


WIRING AT THE ENGINE

NOTE: The plug is wired to the cable as indicated on the connector.
(That is; red to red, black to black, etc.)

Item	Part No.	Qty.	Description
1	62169	1	Assy, Control Cable
2	62119	1	Plug, 7 Conductor
3	62170	1	Conductor-7, 14 ga. 103"
4	62081	1	Actuator, Linear
5	62181	1	Rod, Linkage
6	62172	1	Plate, Throttle

CONTROL BOX

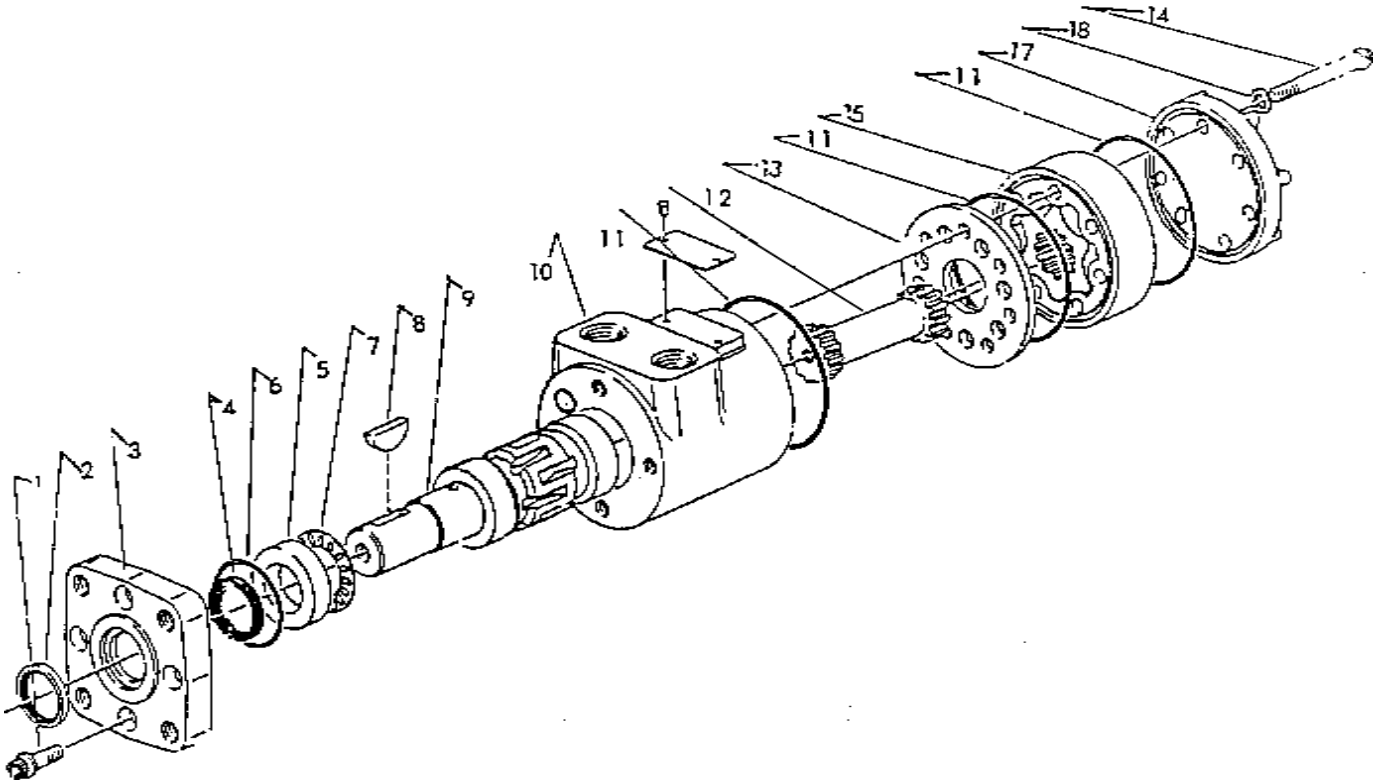


**PARTS LIST FOR CONTROL PANEL ASSEMBLY
(62267)**

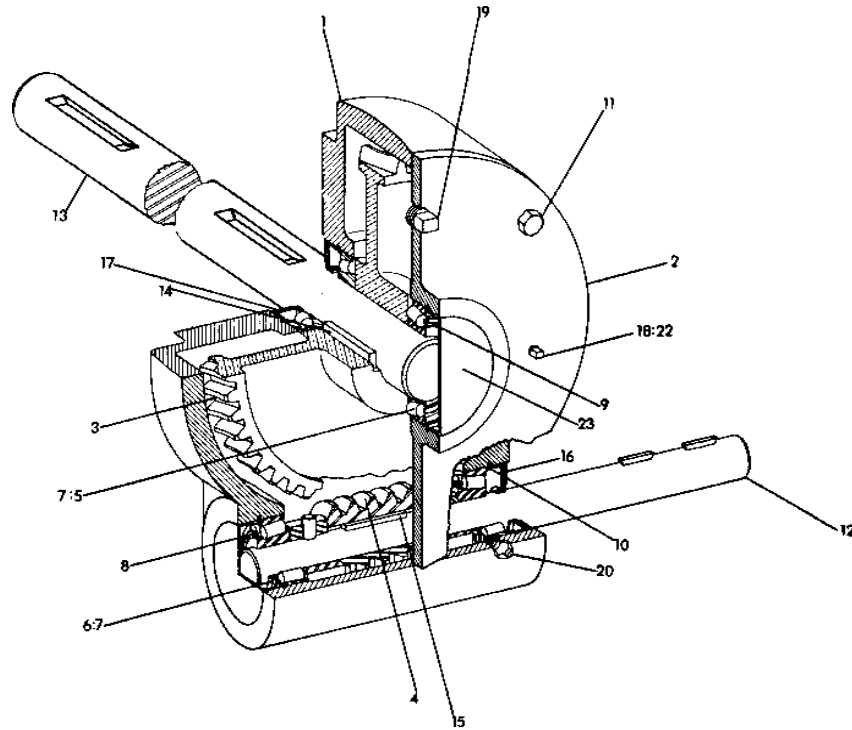
Item	Part Number	Qty.	Description
1	62150	1	Enclosure
2	62151	2	Panel, End
3	62152	1	Panel, Middle
4	62153	1	Switch, START/CONV
5	62154	1	Switch, Choke HI/LO
6	62155	1	Switch, ON/OFF
7	62156	3	Conn., double M/FM
8	62157	1	Assembly, Cable
10	62158	1	Enclosure, Back Panel
11	04002-059-04	4	#8 x 1/2 SM SLT HWH SCR
12	62160	1	Strain Relief
14	62161	1	Jump Wire, 14 Ga., BLUE 3"
15	62162	1	Jump Wire, 14 Ga., BROWN 5.5"
16	62163	1	Jump Wire, 14 Ga., RED 4"
17	62164	1	Jump Wire, 14 Ga., BROWN 3"
18	62165	1	Jump Wire, 14 Ga., RED 3"
N/S	62122	1	Socket, 7 Conductor
N/S	62166	1	Bracket Mounting (included in Kit: use optional)
N/S	62149	1	Boot, Cable

NOTE: The conductor socket (not shown) is wired to the cable as indicated on the socket.
(That is; red to red, black to black, etc.)

PARTS LIST FOR HYDRAULIC MOTOR (60324)



Item	Part Number	Qty.	Description
1	20644	4	Screw, 5/16" - 24 x 7/8" Cap
2	_____	1	Seal
3	62404	1	Flange, Mounting (4 Bolt)
4	_____	—	Seal, O-Ring
5	04101 035 05	1	Race, Bearing
6	_____	—	Seal, O-Ring
7	04101 035 07	1	Bearing, Thrust Needle
8	04009 002 02	1	Key, 1/4" x 1 " Woodruff
9	04101 035 09	1	Shaft, Output
10	04101 035 10	1	Housing
11	_____	—	Seal, O-Ring n
12	04101 035 12	1	Drive (For 04101 035 00)
	04101 037 12	1	Drive (For 04101 037 00)
13	04101 035 13	1	Plate, Spacer
14	20647	4	Screw, 5/16" - 24 x 1-1/2" Cap
	20648	4	Screw, 5/16" - 24 x 1-3/4" Cap
15	04101 035 15	1	Gerotor Set (For 04101 035 00)
	04101 037 15	1	Gerotor Set (For 04101 037 00)
17	62405	1	Cap, End
18	04101 035 18	7	Washer, Seal
20	_____	—	_____
21	04101 035 21	1	Repaired Motor (for 04101 035 00)
	62406	1	Seal Kit (Char-Lynn)
	62359	1	Seal Kit (White)



PARTS LIST FOR DURST GEAR BOX ASSEMBLY (61178)

Item	Part No.	Qty.	Description
1	62033	1	Housing
2	62034	1	Cover
3	62035	1	Worm Gear - Bronze
4	62036	1	Worm
5	62025	2	Bearing Cone
6	62022	2	Bearing Cone
7	62019	4	Bearing Cup
8	62026	1	Snap Ring Input
9	62027	1	Snap Ring Output
10	62020	4	Snap Ring
11	62028	4	Capscrew, 3/8" x 3/4" H.H.
12	62037	1	Shaft-Input
*13	62032	1	Shaft-Output
14	62029	1	Woodruff Key - Hard
15	62024	1	Woodruff Key - Hard
16	61166	1	Seal Input
17	62030	1	Seal Output
18	62016	1	Plug, 1/8" - 27 NPTF
19	62017	1	Plug, Level, 3/8" - 18 NPTF
20	62236	1	Zerk, 1/4" - 28 NF
21	62031	1	Gasket, Cover (Not Shown)
22	62023	1	Plug, Vent, 1/8" - 27 NPTF
23	62018	2	Cap
24	62021	A/R	Shim (Not Shown)

ONE YEAR WARRANTY

Meyer Products promises to the consumer to repair or, at Meyer Products' option, to replace any part of this Meyer Spreader except expendable parts such as pins, spreader fins, and other normal wear items, which proves to be defective in workmanship or material under normal use for a period of one year from the date of delivery to the original purchaser. During this one year, Meyer Products will provide, to the consumer, through its Distributor / Sub-Distributor network, all parts necessary to correct such defects free of charge. Labor costs incurred for any repairs on this piece of equipment will be the responsibility of the consumer. Faulty parts will be repaired or replaced by the Distributor / Sub-Distributor where that particular piece of equipment was purchased. Any cost incurred in returning the product to the Distributor / Sub-Distributor is the responsibility of the consumer.

The gasoline engine used in this product is covered by its own warranty as provided by the engine manufacturer. A copy of this warranty is included with the engine.

EXCLUSIONS

IN NO EVENT SHALL MEYER PRODUCTS BE LIABLE FOR SPECIAL, INCIDENTAL OR CONSEQUENTIAL DAMAGES OR FOR DAMAGES RESULTING FROM LACK OF NECESSARY MAINTENANCE, FROM MISUSE, ABUSE, ACTS OF GOD, ALTERATION OF THE MEYER PRODUCT, OR FROM USE OF PARTS OR HYDRAULIC FLUID NOT SUPPLIED BY MEYER PRODUCTS. USE OF THE MEYER SNOWPLOW FOR ANY PURPOSE OTHER THAN PLOW-

ING SNOW IS ONE EXAMPLE OF AN ABUSE AND MISUSE OF THE PRODUCT.

WARRANTY SERVICE

In order to obtain service under this warranty, the consumer must return this Meyer product to the Distributor / Sub-Distributor from whom the product was purchased or to any other Meyer Products Distributor / Sub-Distributor, transportation and freight charges prepaid. Only Meyer Products Distributor / Sub-Distributors are authorized to perform the obligations under these warranties. For the address and telephone number of the Distributor / Sub-Distributor nearest you, check the telephone directory or you may write to the warrantor at the address below.

GENERAL

It is the responsibility of the consumer to establish the warranty period by verifying the original delivery date. A bill of sale, cancelled check or some other appropriate payment record may be kept for that purpose. It is recommended, but not required, that the consumer verify the original delivery date by immediately returning the attached Warranty Registration Card. No person is authorized to change this warranty or to create any warranty other than that set forth herein. This warranty gives you specific legal rights and you may also have other rights which vary from state to state.

Meyer Products
18513 Euclid Avenue
Cleveland, Ohio 44112
Phone (216) 486-1313
Fax (216) 486-3073
E-Mail info@meyerproducts.com

In order to validate this warranty, please complete this card and mail it.

Name: _____

Address: _____

Spreader Model: _____ Serial No.: _____

Installation Date: _____ Purchased From: _____

NAME PLATE INFORMATION

- When ordering parts or requesting information or assistance, always include the information listed below.
- The Model Number and Serial Number for the Spreader are shown on the Name Plate.
- The space below is provided as a convenient place to record these numbers; just fill in the blanks.

Model No. _____

Serial No. _____

Date Purchased _____

Purchased From _____

Phone No. For Service _____



Meyer Products
18513 Euclid Avenue
Cleveland, Ohio 44112-1084

Free Manuals Download Website

<http://myh66.com>

<http://usermanuals.us>

<http://www.somanuals.com>

<http://www.4manuals.cc>

<http://www.manual-lib.com>

<http://www.404manual.com>

<http://www.luxmanual.com>

<http://aubethermostatmanual.com>

Golf course search by state

<http://golfingnear.com>

Email search by domain

<http://emailbydomain.com>

Auto manuals search

<http://auto.somanuals.com>

TV manuals search

<http://tv.somanuals.com>