

PMC401853

**Insert
Additif
Adición**



ELECTRIC GENERATOR - GROUPE ELECTROGENE - GENERADOR ELECTRICO

Thank you for selecting a Coleman® Powermate® Generator. The Coleman® Powermate® generator has been made to supply reliable, portable electrical power when utility power is not available. We hope you will enjoy your new generator. Welcome to our worldwide family of Coleman® Powermate® generator users.

Merci d'avoir choisi le groupe électrogène Coleman® Powermate®. Ce groupe électrogène Coleman® Powermate® a été conçu pour fournir le pouvoir électrique, portatif et fiable quand le pouvoir d'utilité n'est pas disponible. Nous espérons que votre groupe électrogène vous donnera entière satisfaction. Bienvenue dans la famille mondiale des utilisateurs de groupes électrogènes Coleman® Powermate®.

Gracias por seleccionar un generador Coleman® Powermate®. El generador Coleman® Powermate® ha sido diseñado para proporcionar energía eléctrica confiable y portátil cuando no hay servicio disponible de energía pública. Esperamos que disfrute de su nuevo generador. Bienvenido a nuestra familia de usuarios de generadores Coleman® Powermate® a nivel mundial.



IMPORTANT – Please make certain that persons who are to use this equipment thoroughly read and understand these instructions and any additional instructions provided prior to operation.

IMPORTANT - Prière de vous assurer que les personnes destinées à utiliser cet appareil ont pris soin d'en lire et d'en comprendre le mode d'emploi ou les directives avant de le mettre en marche.

IMPORTANTE. Asegúrese que las personas que utilizarán este equipo lean y entiendan completamente estas instrucciones y cualquier instrucción adicional proporcionada antes del funcionamiento.

MAJOR GENERATOR FEATURES

- * 3.5 HP Briggs & Stratton engine
- * Receptacles on endbell
- * Battery charger
- * 1.35 gallon plastic fuel tank
- * Spark arrester
- * Brushless generator

ENDBELL

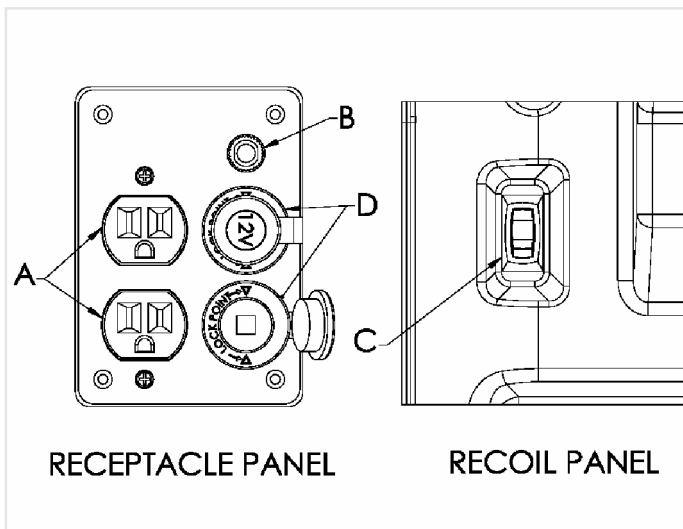
A . 120 V, 15 Ampere Duplex Receptacle

15 amps of current may be drawn from each half of the receptacle. However, total power drawn must be kept within nameplate ratings.

B. Circuit Breaker

The receptacles are protected by an AC circuit breaker. If the generator is overloaded or an external short circuit occurs, the circuit breaker will trip. If this occurs, disconnect all electrical loads and try to determine the cause of the problem before attempting to use the generator again. If overloading causes the circuit breaker to trip, reduce the load. **NOTE: Continuous tripping of the circuit breaker may cause damage to generator or equipment.** The circuit breaker may be reset by pushing the button of the breaker.

C. Engine Switch



D. Battery Charger

NOT RECOMMENDED FOR USE WITH GEL PACK, SEALED OR SMALL (MOTORCYCLE) BATTERIES.

These generators contain an additional circuit used for battery charging purposes. A DC accessory receptacle is provided on the control panel. A battery charging cable equipped with a matching plug for this receptacle has been supplied with the unit. Line up metal prongs on plug with arrows on receptacle to secure.

The battery charger on this generator is referred to as an unregulated taper charger - the most widely used in the market today. The amount of current flowing will depend on the

charging voltage and battery's state of charge. As the battery becomes more fully charged, the output current to the battery decreases and nearly becomes constant. Taper chargers are intended to be used with the provision that they will be disconnected from the battery after a maximum time on charge. Normally a period of 30 to 120 minutes is sufficient to recharge a weak battery. The charge level of the battery should be checked periodically.



CAUTION

CAUTION: This battery charging system is intended to recharge weak batteries, not to "boost start" vehicles. Do not overcharge battery or leave battery unattended.

Note: When the battery charger circuit is in use, the AC capacity is reduced by 180 watts. Make sure the combined load is within the rated limits.

Before charging a storage battery, check the electrolyte fluid level in all the cells. Add distilled water to each cell, if necessary, to bring the level back up to the manufacturer's required level.



WARNING: Storage batteries give off EXPLOSIVE hydrogen gas while charging. Do not allow smoking, open flames, sparks, or spark producing equipment in the area while charging.

Use cables approved for battery charging. Connect a red clip to the positive terminal of the battery. Connect a black clip to the negative terminal of the battery. Connect the other end of the cable to the DC accessory receptacle on the generator panel. After the battery is fully charged, remove the battery charging cable from the generator and then disconnect from the battery posts.



WARNING

WARNING: Battery electrolyte fluid is comprised of sulfuric acid that can be very dangerous and cause severe burns. Do not allow this fluid to contact eyes, skin, clothing, etc. If contact or spillage does occur, flush the area with water immediately.



WARNING

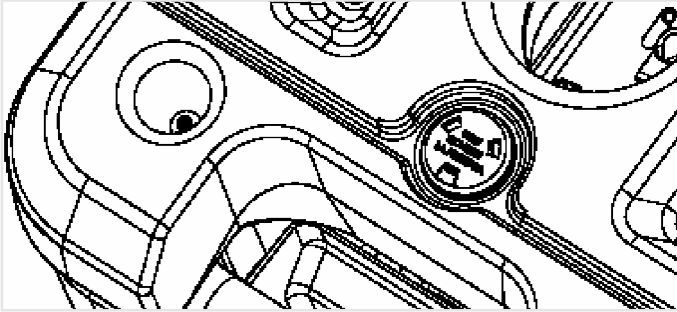
WARNING: Do not continue to charge a battery that becomes hot or is fully charged.

DC CIRCUIT BREAKER: The maximum current available from the battery charger circuit is 15 amps. An automatic DC circuit breaker has been provided to protect the circuit from overloads and assure that the battery gets recharged. If an overload occurs, the circuit breaker will trip. After it cools, it will automatically reset itself. The battery's maximum rate of charge will eventually reduce to less than 15 amps and then to zero as the battery approaches a 100 percent state of charge.

FUEL TANK VENTING



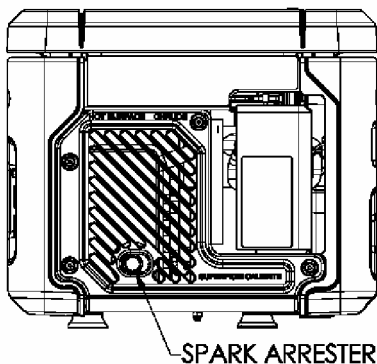
CAUTION: Keep fuel tank area free of all debris, water, and ice. Do not block vent. "Tank must breathe."



SPARK ARRESTER MUFFLER

This engine is equipped with a U.S. Forest Service approved spark arrest muffler. It should periodically be cleaned to prevent the screen from becoming clogged, which could hamper engine performance.

To clean, remove the muffler shield. Remove the four screws and pull the plate with the screen attached. Clean off any particles with a brush and reinstall. Be sure gasket is in place.



ENGINE MAINTENANCE SCHEDULE

Check engine oil	Before each use
Change engine oil	After first 20 hours and then every 50 hours of operation
Clean air filter	Every 50 hours of operation
Clean spark plug	Every 100 hours of operation
Clean spark arrester	Every 50 hours of operation

Oil Type. Use new good quality oil such as SC, SD, and SE grades. The oil to be used depends upon the temperature at which the engine is operated:

Summer: (temperatures of over 40 degrees F/10 degrees C) SAE 30 or SAE 10W-30, SAE 10W-40

Winter: (temperatures of below 40 degrees F/10 degrees C) SAE 20 or SAE 10W-30

LIMITED WARRANTY

Warranty Coverage: Powermate Corporation (the Company) warrants to the original retail customer in North America that it will repair or replace, free of charge, any parts found by the Company or its authorized service representative to be defective in material or workmanship. This warranty covers the cost of replacement parts and labor for defects in material or workmanship.

Not Covered:

- Transportation charges for sending the product to the Company or its authorized service representative for warranty service, or for shipping repaired or replacement products back to the customer; these charges must be borne by the customer.
- Engine is covered exclusively by a separate warranty from the engine manufacturer, included with the engine Manual.
- Damages caused by abuse or accident, and the effects of corrosion, erosion and normal wear and tear.
- Warranty is voided if the customer fails to install, maintain and operate the product in accordance with the instructions and recommendations of the Company set forth in the owner's manual, or if the product is used as rental equipment.
- The Company will not pay for repairs or adjustments to the product, or for any costs or labor, performed without the Company's prior authorization.

Warranty Period: Two (2) years from the date of purchase on products used solely for consumer applications; if a product is used for business or commercial applications, the warranty period will be limited to one (1) year from the date of purchase. For warranty service, the customer must provide dated proof of purchase and must notify the Company within the warranty period.

For warranty service: Call toll free 800-445-1805, or write to Powermate Corporation, Product Services, 4970 Airport Road, P. O. Box 6001, Kearney, NE 68848.

EXCLUSIONS AND LIMITATIONS: THE COMPANY MAKES NO OTHER WARRANTY OF ANY KIND, EXPRESS OR IMPLIED. IMPLIED WARRANTIES, INCLUDING WARRANTIES OF MERCHANTABILITY AND OF FITNESS FOR A PARTICULAR PURPOSE, ARE HEREBY DISCLAIMED. THE WARRANTY SERVICE DESCRIBED ABOVE IS THE EXCLUSIVE REMEDY UNDER THIS WARRANTY; LIABILITY FOR INCIDENTAL AND CONSEQUENTIAL DAMAGES IS EXCLUDED TO THE EXTENT PERMITTED BY LAW.

This warranty gives you specific legal rights, and you may also have other rights which vary from state to state. Some states do not allow a disclaimer of implied warranties, or the exclusion or limitation of incidental and consequential damages, so the above disclaimers and exclusions may not apply to you.

**CALIFORNIA EMISSION CONTROL WARRANTY STATEMENT
YOUR WARRANTY RIGHTS AND OBLIGATIONS**

The California Air Resources Board and Powermate Corporation (herein "Powermate") are pleased to explain the evaporative emission control system (EECS) warranty on your 2006 generator. In California, new generators must be designed, built and equipped to meet the State's stringent anti-smog standards. Powermate must warrant the EECS on your generator for the periods of time listed below, provided there has been no abuse, neglect or improper maintenance of your generator.

Your EECS includes parts such as: fuel hoses.

MANUFACTURER'S WARRANTY COVERAGE:

This evaporative emission control system is warranted for two years. The warranty period begins on the date the generator is delivered to an ultimate purchaser.

Powermate warrants to the ultimate purchaser and any subsequent owner that the generator is (i) designed, built and equipped so as to conform with all applicable regulations; and (ii) free from defects in materials and workmanship that cause the failure of a warranted part to be identical in all material respects to that part as described in Powermate's application for certification.

If any evaporative emission-related part on your generator is defective, the part will be repaired or replaced by Powermate.

OWNER'S WARRANTY RESPONSIBILITIES:

As the generator owner, you are responsible for performance of the required maintenance listed in your owner's manual. Powermate recommends that you retain all receipts covering maintenance on your generator, but Powermate cannot deny warranty solely for the lack of receipts. You should, however, be aware that Powermate may deny you warranty coverage if your generator or a part has failed due to abuse, neglect or improper maintenance or unapproved modifications.

You are responsible for presenting your generator to an authorized Powermate warranty service center as soon as the problem exists. The warranty repairs should be completed in a reasonable amount of time, not to exceed 30 days. If you have a question regarding your warranty coverage, you should call Powermate Product Service at 1-800-445-1805.

DETAILS OF YOUR WARRANTY

Subject to certain conditions and exclusions as stated below, the warranty on emission-related parts is as follows:

- (1) Any warranted part that is not scheduled for replacement as required maintenance in the written instructions supplied, is warranted for the period stated above. If the part fails during the period of warranty coverage, the part will be repaired or replaced by Powermate according to Subsection (4) below. Any such part repaired or replaced under warranty will be warranted for the remainder of the period.
- (2) Any warranted part that is scheduled only for regular inspection in the written instructions supplied, is warranted for the warranty period stated above. Any such part repaired or replaced under warranty will be warranted for the remaining warranty period.
- (3) Any warranted part that is scheduled for replacement as required maintenance in the written instructions supplied, is warranted for the period of time before the first scheduled replacement date for that part. If the part fails before the first scheduled replacement date, the part will be repaired or replaced by Powermate according to Subsection (4) below. Any such part repaired or replaced under warranty will be warranted for the remainder of the period prior to the first scheduled replacement date for the part.
- (4) Repair or replacement of any warranted part under the warranty provisions herein must be performed at an authorized Powermate warranty service center at no charge to the owner.
- (5) The generator owner will not be charged for diagnostic labor that is directly associated with diagnosis of a defective, emission-related warranted part, provided that such diagnostic work is performed at an authorized Powermate warranty service center.
- (6) Powermate is liable for damages to other engine or generator components proximately caused by a failure under warranty of any warranted part.
- (7) Throughout the generator warranty period stated above, Powermate will maintain a supply of warranted parts sufficient to meet the expected demand for such parts.
- (8) Any replacement part may be used in the performance of any warranty maintenance or repairs and must be provided without charge to the owner. Such use will not reduce the warranty obligations of Powermate.
- (9) Add-on or modified parts that are not exempted by the Air Resources Board may not be used. The use of any non-exempted add-on or modified parts by the ultimate purchaser will be grounds for disallowing a warranty claims. Powermate will not be liable to warrant failures or warranted parts caused by the use of a non-exempted add-on or modified part.
- (10) The repair or replacement of any warranted part otherwise eligible for warranty coverage may be excluded from such warranty coverage if the generator has been abused, neglected or improperly maintained, and such abuse, neglect or improper maintenance was the direct cause of the need for repair or replacement of the part.

WARRANTED PARTS:

The following emission warranty parts list is covered:

Fuel Hose.

CARACTÉRISTIQUES PRINCIPALES DU GROUPE ELECTROGENE

- * Moteur 3.5 HP Briggs & Stratton
- * Prises sur covre-enroulement
- * Chargeur de batterie
- * Réservoir de carburant en plastique d'une contenance de 5.1 litres (1.35 gallon)
- * Pare-étincelles
- * Sans balais génératrice

COVRE-ENROULEMENT

A. Prise double de 120 V, 15 A

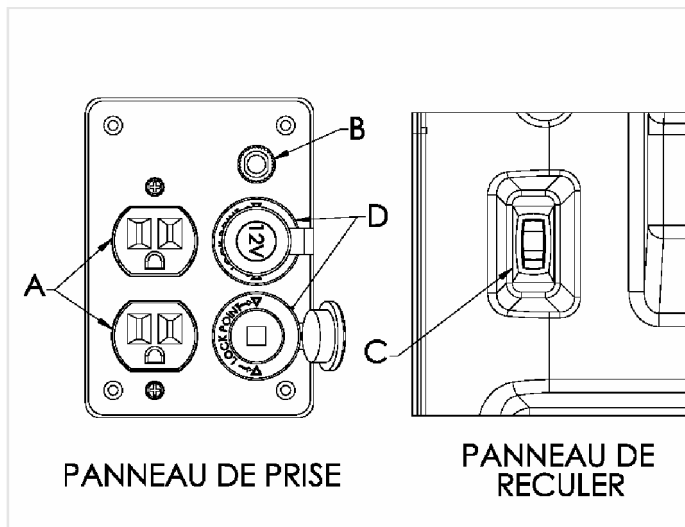
15 ampères de courant peuvent être dessinés de chaque moitié de la prise. La charge totale doit cependant rester dans les limites indiquées sur la plaque signalétique.

B. Disjoncteurs

Les prises sont protégées par un disjoncteur alternatif. En cas de surcharge ou de court-circuit extérieur, le disjoncteur saute. Si cela se produit, débrancher tout appareil relié au groupe électrogène et essayer de déterminer la cause du problème avant d'essayer de le réutiliser. Si le disjoncteur saute en raison d'une surcharge, réduire la charge.

REMARQUE : Le groupe électrogène ou les appareils branchés dessus peuvent se trouver abîmés si le disjoncteur saute continuellement. Appuyer sur le bouton du disjoncteur pour le réenclencher.

C. Commutateur du moteur



D. Chargeur de batterie

Utilisation non recommandée avec les ensembles piles (de motocyclettes) sèches et étanches de petit format.

Ces générateurs comportent un circuit supplémentaire à des fins de charge de la batterie. Une prise pour accessoires à c.c. est fournie sur le tableau de bord. Un câble de charge de batterie pourvu d'une fiche correspondant à la prise a été fourni avec l'unité. Alignez les broches métalliques de la fiche avec les flèches sur la prise pour fixer solidement.

Le chargeur de batterie intégré à la génératrice est un

chargeur non régulé du type de ceux qui sont actuellement le plus utilisés sur le marché. Le débit de courant produit dépend de la tension de chargement et de l'état de charge de la batterie. Comme la pile devient plus entièrement chargée, le courant de production aux diminutions de pile et devient presque constant. Les chargeurs non régulés sont destinés à servir à la condition d'être débranchés de la batterie après l'expiration du délai de chargement à bloc. Il suffit normalement de 30 à 120 minutes pour recharger une batterie à plat. Le niveau de charge de cette dernière doit faire l'objet d'une vérification périodique.



ATTENTION

ATTENTION : Ce chargeur est destiné à la recharge des batteries et non pas au démarrage des véhicules en panne. Éviter de charger la batterie à l'excès ou de la laisser sans surveillance.

Remarque: Lorsqu'on utilise le circuit du chargeur de pile, la capacité du courant alternatif est réduite par 180 watts. Assurez-vous que la charge combinée reste à l'intérieur des limites de régime.

Avant de recharger une batterie, vérifiez le niveau de liquide électrolytique dans tous les éléments. Ajoutez de l'eau distillée à chaque élément, si nécessaire, pour ramener le niveau à celui exigé par le fabricant.



AVERTISSEMENT : Les accumulateurs en train de recharger dégagent du gaz hydrogène DETONANT. Il doit être formellement interdit de fumer ou de produire des flammes ou des étincelles à proximité lorsque vous rechargez des accus.

Servez-vous de câbles approuvés aux fins de chargement de la pile. Connectez la cosse rouge à la borne d'attache positive de la pile. Connectez la cosse noire à la borne d'attache négative de la pile. Connecter l'autre fin du câble au DC prise accessoire sur le panneau de générateur. Après que la batterie soit rechargée, détachez le câble de recharge de la génératrice et ensuite celui de la batterie.



AVERTISSEMENT

AVERTISSEMENT : Le liquide électrolytique des batteries est composé d'acide sulfurique qui peut être très dangereux et occasionner des brûlures graves. Il ne faut pas que ce liquide soit en contact avec les yeux, la peau, les vêtements, etc. Si un contact se produit, nettoyez immédiatement à grande eau la partie atteinte.



AVERTISSEMENT

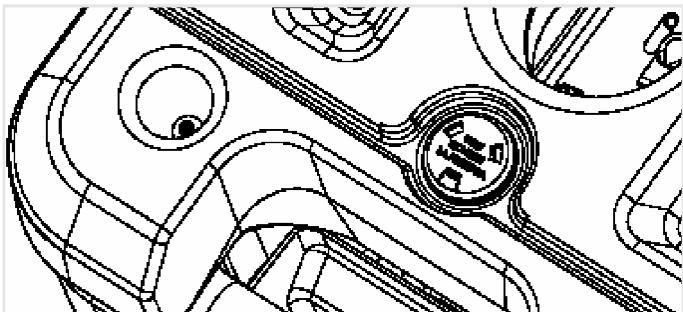
AVERTISSEMENT : Ne pas continuer de charger une batterie chaude ou pleinement chargée.

LE DISJONCTEUR DE COURANT CONTINU: Le courant maximum disponible du circuit du chargeur d'accus est 15 ampères. Un disjoncteur automatique en courant continu a été fourni pour protéger le circuit des surcharges et pour assurer que la batterie se recharge. Si une surcharge se produit, le disjoncteur basculera. Après qu'il se soit refroidi, il se remettra automatiquement. Le taux de recharge maximum de la batterie se réduira éventuellement à moins de 15 ampères et ensuite à zéro lorsque la batterie approche un état de recharge de 100 pour cent.

DONNER VENT DE RESERVOIR DE CARBURANT



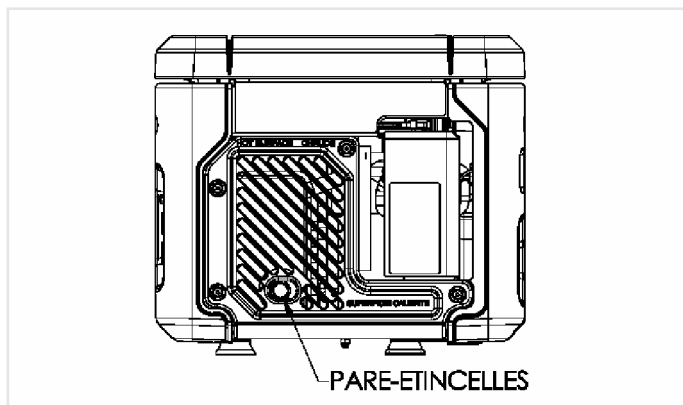
ATTENTION: Garder le réservoir de carburant sans domaine de tout débris, toute eau, et toute glace. Pas le conduit de bloc. "Respire" de réservoir.



LE SILENCIEUX PARE-ETINCELLES

Ce moteur est muni d'un silencieux pare-étincelles approuvé par le Service des Forêts aux USA. Il faut nettoyer périodiquement le silencieux pour empêcher que le tamis devienne colmaté, ce qui pourrait entraver le fonctionnement de la machine.

Pour nettoyer le silencieux, enlevez la tôle. Enlevez les quatre écrous et tirez la plaque avec le tamis attaché. Nettoyez à l'aide d'une brosse et réinstallez l'ensemble. Vérifiez que le joint est bien en place.



LE PLAN D'ENTRETIEN DE MOTEUR

Vérifier l'huile du moteur Avant chaque utilisation

Changer l'huile du moteur Après les premières 20 heures d'utilisation et toutes les 50 heures d'utilisation

Nettoyer le filtre à air Toutes les 50 heures d'utilisation

Nettoyer la bougie Toutes les 100 heures d'utilisation

Nettoyer le pare-étincelles. Toutes les 50 heures d'utilisation

Le type d'huile. Utilisez une huile neuve et de bonne qualité telle que les grades SC, SD et SE. L'huile à utiliser dépend de la température à laquelle le moteur sera actionné.

L'été: (des températures de plus de 10 degrés C / 40 degrés F) SAE 30 ou SAE 10W-30, SAE 20W-40

L'hiver: (des températures de moins de 10 degrés C / 40 degrés F) SAE 20 ou SAE 10W-30

GARANTIE LIMITÉE

Couverture limitée : Powermate Corporation (la compagnie) garantit au revendeur d'origine en Amérique du Nord qu'elle réparera ou remplacera, sans frais, toutes les pièces que la compagnie ou que son représentant du service autorisé auront déterminé comme étant défectueuses du point de vue du matériel ou de la fabrication. La garantie couvre les coûts de remplacement des pièces et de main-d'œuvre pour tout défaut matériel ou de fabrication.

Ce qui n'est pas couvert :

- Les frais de transport pour envoyer le produit à la compagnie ou à son représentant du service autorisé pour effectuer le travail couvert par la garantie, les frais d'expédition au client des produits réparés ou remplacés. Ces frais doivent être assumés par le client.
- Le moteur est couvert exclusivement par une garantie distincte du fabricant du moteur. Cette garantie est incluse dans le guide d'utilisation du moteur.
- Les dommages causés par un abus ou un accident, et les effets de la corrosion, de l'érosion ainsi que de l'usure normale.
- La garantie est annulée si le client n'arrive pas à installer, garder et faire fonctionner le produit conformément aux directives et aux recommandations de la compagnie formulées dans le guide d'utilisation, ou si le produit est utilisé comme équipement de location.
- La compagnie ne paiera pas de réparation ou des ajustements au produit, ou pour les coûts ou main-d'œuvre, exécuté sans l'autorisation préalable de la compagnie.

Période couverte par la garantie : Deux (2) ans à partir de la date d'achat sur les produits utilisés uniquement pour les applications de consommateur. Si le produit est utilisé à des fins d'affaires ou commerciales, la période couverte par la garantie se limite à un (1) an à partir de la date d'achat. En ce qui concerne l'entretien couvert par la garantie, le client doit présenter une preuve de la date d'achat et il doit aviser la compagnie au cours de la période couverte par la garantie.

Pour tout ce qui touche l'entretien couvert par la garantie : Composez sans frais le 1 800 445-1805, ou écrivez à **Powermate Corporation, Product Services, 4970 Airport Road, P. O. Box 6001, Kearney, NE 68848 É.-U.**

EXCLUSIONS ET LIMITATIONS : LA COMPAGNIE NE PRÉSENTE AUCUNE AUTRE GARANTIE, EXPRESSE OU IMPLICITE. LES GARANTIES IMPLICITES, INCLUANT LES GARANTIES DE QUALITÉ MARCHANDE ET DE CONFORMITÉ AUX BESOINS SONT, PAR LA PRÉSENTE, ABANDONNÉES. L'ENTRETIEN COUVERT PAR LA GARANTIE DÉCRIT CI-DESSUS EST UN RECOURS EXCLUSIF EN VERTU DE CETTE GARANTIE. LA RESPONSABILITÉ POUR DES DOMMAGES ACCESSOIRES ET INDIRECTS EST EXCLUE JUSQU'À LA LIMITE AURORISÉE PAR LA LOI.

Cette garantie vous donne des droits spécifiques reconnus par la loi. Vous pouvez également bénéficier de certains autres droits, lesquels varient d'une province (État) à l'autre. Certaines provinces (ou certains États) n'autorisent pas de clauses de renonciation des garanties implicites ou de limites à l'égard de dommages accessoires ou indirects, ainsi, les clauses de renonciation et les exclusions ci-dessus peuvent ne pas s'appliquer à vous.

DÉCLARATION DE GARANTIE DE CONFORMITÉ AUX RÈGLEMENTS ANTIPOLLUTION DE LA CALIFORNIE DROITS ET OBLIGATIONS EN VERTU DE LA GARANTIE

Le California Air Resources Board et la société Powermate Corporation (ci-après "Powermate") sont fiers d'expliquer la garantie de conformité du système de recyclage des vapeurs de carburant ("EECS") de votre génératrice 2006. Dans l'état de la Californie, les nouvelles génératrices doivent être conçues, fabriquées et équipées pour être conformes aux règlements antipollution stricts de l'État en matière de protection de l'environnement. Powermate doit garantir l'EECS de votre génératrice pour les périodes énumérées ci-dessous, pourvu que votre génératrice n'ait fait l'objet d'aucun usage abusif, négligence ou entretien inapproprié.

Votre EECS comprend des pièces telles que : les canalisations de carburant.

COUVERTURE DE GARANTIE DU FABRICANT :

Ce système de recyclage des vapeurs de carburant est garanti pour une période de deux ans. La période de la garantie commence à la date de livraison de la génératrice à l'acheteur ultime.

Powermate garantit à l'acheteur ultime et à tout acheteur subséquent que la génératrice a été (i) conçue, fabriquée et équipée de manière à être conforme à tous les règlements applicables; et que (ii) celle-ci est exempte de défauts de matériel et de fabrication qui provoquent la défaillance identique d'une pièce sous garantie à tous les égards matériels que la pièce décrite dans la demande de certification de Powermate.

Si toute pièce de votre génératrice reliée aux vapeurs de carburant est défectueuse, celle-ci sera réparée ou remplacée par Powermate.

RESPONSABILITÉS DE LA GARANTIE DU PROPRIÉTAIRE :

À titre de propriétaire de la génératrice, vous êtes responsable de l'exécution de l'entretien requis, tel qu'il figure dans votre guide du propriétaire. Powermate recommande que vous conserviez tous les reçus de l'entretien dont votre génératrice, mais Powermate ne peut refuser la garantie pour seule cause du manque de reçus. Toutefois, vous devez être conscient que Powermate peut refuser votre garantie si votre génératrice ou l'une de ses pièces a fait défaut en raison d'un usage abusif, d'une négligence ou d'un entretien inapproprié ou de modifications non autorisées.

Vous êtes responsable de remettre votre génératrice à un centre de service de garantie agréé de Powermate dès que l'anomalie se manifeste. Les réparations au titre de la garantie doivent être effectuées dans un laps de temps raisonnable ne devant pas dépasser 30 jours. Pour toute question concernant votre couverture de garantie, veuillez appeler le Service des produits Powermate au 1 800 445-1805.

DÉTAILS DE LA GARANTIE

Sous réserve de certaines conditions et exclusions énumérées ci-dessous, la garantie sur les pièces de recyclage de carburant est la suivante :

- (1) Toute pièce sous garantie dont le remplacement n'est pas prévu à titre d'entretien requis dans les consignes écrites fournies est garantie pour la période précitée. Si la pièce fait défaut pendant la période de garantie, la pièce sera réparée ou remplacée par Powermate conformément à la sous-section (4) ci-dessous. Toute telle pièce réparée ou remplacée en vertu de la garantie sera toujours protégée en vertu de la garantie pour le reste de la période.
- (2) Toute pièce sous garantie dont seulement l'inspection régulière est prévue selon les consignes écrites fournies est garantie pour la période de garantie précitée. Toute telle pièce réparée ou remplacée en vertu de la garantie sera toujours protégée en vertu de la garantie pour le reste de la période de garantie.
- (3) Toute pièce sous garantie dont le remplacement est prévu à titre d'entretien requis dans les consignes écrites fournies est garantie pour la période précédant la première date prévue de remplacement de cette pièce. Si la pièce fait défaut avant la première date de remplacement prévue, la pièce sera réparée ou remplacée par Powermate conformément à la sous-section (4) ci-dessous. Toute telle pièce réparée ou remplacée en vertu de la garantie sera toujours protégée en vertu de la garantie pour le reste de la période précédant la première date de remplacement prévue pour cette pièce.
- (4) La réparation ou le remplacement de toute pièce sous garantie en vertu des dispositions de la garantie énoncées dans la présente doit être effectué chez un centre de service de garantie agréé de Powermate, sans frais pour le propriétaire.
- (5) Le propriétaire de la génératrice ne devra payer aucuns frais pour la main-d'œuvre de diagnostic directement reliée avec le diagnostic d'une pièce défectueuse sous garantie reliée aux vapeurs de carburant, pourvu que ledit travail de diagnostic soit effectué chez un centre de service de garantie agréé de Powermate.
- (6) Powermate est responsable des dommages aux autres composants de moteur ou de génératrice découlant directement d'une défaillance sous garantie de toute pièce sous garantie.
- (7) Tout au long de la période de garantie précitée de la génératrice, Powermate maintiendra un approvisionnement des pièces sous garantie en nombres suffisants pour satisfaire à la demande de telles pièces.
- (8) Toute pièce de rechange peut être utilisée dans l'exécution de tout entretien ou réparation sous garantie et doit être offerte sans frais pour le propriétaire. Une telle utilisation ne réduira pas les obligations de Powermate à l'égard de la garantie.
- (9) Les pièces ajoutées ou modifiées qui ne font pas l'objet d'une homologation par Air Resources Board ne peuvent être utilisées. L'utilisation par l'acheteur ultime de toute pièce ajoutée ou modifiée ne faisant pas l'objet d'une homologation donnera lieu à un refus de la réclamation au titre de la garantie. Powermate ne pourra être tenue responsable des défaillances de pièces sous garantie découlant de l'utilisation d'une pièce ajoutée ou modifiée ne faisant pas l'objet d'une homologation.
- (10) La réparation ou le remplacement de toute pièce sous garantie autrement admissible à une couverture de garantie peut être exclu de ladite couverture de garantie si la génératrice a fait l'objet d'un usage abusif, d'une négligence ou d'un entretien inapproprié, et si un tel usage abusif, négligence ou entretien inapproprié s'avère la cause directe du besoin de réparation ou de remplacement de la pièce.

PIÈCES SOUS GARANTIE :

Les pièces énumérées ci-dessous sont couvertes par la garantie :

Canalisation de carburant.

CARACTERISTICAS PRINCIPALES DEL GENERADOR

- * Motor 3.5 HP Briggs & Stratton
- * Receptáculos sobre el placa lateral
- * Cargador de batería
- * Tanque plástico de combustible con capacidad de 5.1 litros (1.35 galone)
- * Apagachispas
- * El generador sin escobillas

PLACA LATERAL

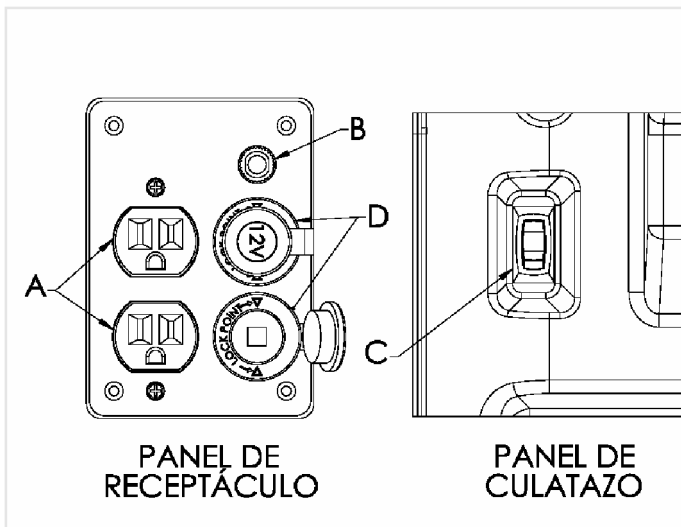
A. Receptáculo dúplex de 120 voltios, 15 amperes

15 amperes de la corriente se pueden dibujar de cada mitad del receptáculo. Sin embargo, la potencia total extraída debe mantenerse dentro de los valores nominales de la placa de identificación.

B. Interruptor

Los receptáculos se protegen mediante un cortacircuitos de CA. Si se sobrecarga el generador u ocurre un cortocircuito externo, el cortacircuitos saltará. Si esto ocurre, desconecte todas las cargas eléctricas y trate de determinar la causa del problema antes de usar el generador nuevamente. Si la sobrecarga causa que salte el cortacircuitos, reduzca la carga. **NOTA: Si salta continuamente el cortacircuitos, se podría dañar el generador o el equipo.** El cortacircuitos puede restaurarse pulsando el botón del cortacircuitos.

C. Interruptor del motor



D. Cargador de batería

No se recomienda su uso con paquetes de gelatina, baterías selladas, pequeñas (motocicleta).

Estos generadores incluyen un uso adicional para el circuito para propósitos de carga de batería. En el panel de control se incluye un receptáculo para accesorios. Con la unidad se suministra un cable para carga de la batería equipado con un enchufe que se ajusta a este receptáculo. Alinee las clavijas de

metal del enchufe con las flechas del receptáculo para asegurarlo.

Se refiere al cargador de la batería en este generador como un cargador cónico no regulado, de mayor utilización en el mercado en la actualidad. La cantidad de corriente circulante dependerá del voltaje de la carga y del estado de carga de la batería. Cuando la batería llega a ser más completamente cargada, la corriente de la salida a las disminuciones de la batería y casi llega a ser la constante. Los cargadores cónicos están diseñados para utilizarse con la disposición de que se desconectarán de la batería después de un tiempo máximo de carga. Normalmente, es suficiente un periodo de 30 a 120 minutos para recargar una batería débil. El nivel de carga de la batería debe verificarse en forma periódica.



PRECAUCION

PRECAUCION: Este sistema de carga de la batería sirve para volver a cargar las baterías débiles, y no para “arrancar por refuerzo” los vehículos. No sobrecargue la batería o deje la batería sin atención.

Nota: Cuando el circuito cargador de la batería está en uso, la capacidad de CA se reduce en 180 vatios. Asegúrese de que la carga combinada esté dentro de los límites nominales.

Antes de cargar una batería de almacenaje, verifique el nivel de fluido electrolético en todas las células. Agregue agua destilada a cada célula, si fuera necesario, para traer el nivel hasta el valor requerido por el fabricante.



ADVERTENICA: Las baterías de almacenaje emiten gas hidrógeno **EXPLOSIVO** al estar en carga. No permita que se fume ni la existencia de llamas abiertas, chispas o equipos que produzcan chispas en la zona al estar en carga.

Utilice cables aprobados para cargar baterías. Conecte la grapa roja a la terminal positiva de la batería. Conecte la grapa negra a la terminal negativa de la batería. Conecte el otro fin del cable al DC receptáculo accesorio en el panel del generador. Una vez que la batería esté completamente cargada, retire el cable cargador de la batería del generador y luego desconéctelo de las espigas de la batería.



ADVERTENCIA

ADVERTENCIA: El fluido electrolético de la batería está compuesto de ácido sulfúrico que puede ser muy peligroso y causar quemaduras graves. No permita que este fluido entre en contacto con los ojos, la piel, la ropa, etc. En caso de ocurrir un contacto o un derrame, enjuague la zona con agua inmediatamente.



ADVERTENCIA

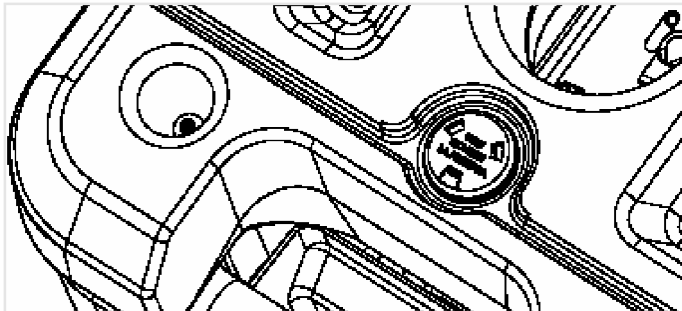
ADVERTENCIA: No continúe cargando una batería que se ha quedado caliente o que esté completamente cargada.

CORTACIRCUITOS DE CC: La corriente máxima disponible del circuito cargador de la batería es de 15 amp. Se ha provisto un cortacircuitos de CC automático para proteger el circuito contra sobrecarga y asegurar que la batería pueda cargarse. En caso de ocurrir una sobrecarga, saltará el cortacircuitos. Después de enfriarse, se repondrá automáticamente. La velocidad máxima de carga de la batería con el tiempo se reducirá a menos de 15 amp y luego a cero al acercarse la batería a un estado de carga del 100 por ciento.

TANQUE DEL COMBUSTIBLE DESCARGAR



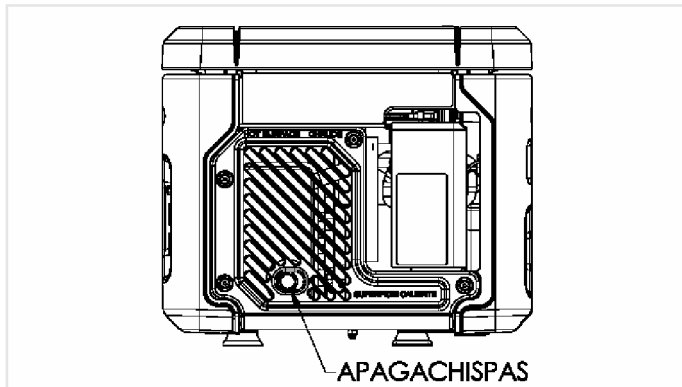
PRECAUCION: Mantenga área de tanque de combustible libre de todos escombros, del agua, y del hielo. No bloquee abertura. "El tanque debe respirar."



SILENCIADOR DEL ARRESTOR DE CHISPAS

Este motor viene equipado con un silenciador del arrestor de chispas aprobado por el Servicio Forestal de los EE.UU. Periódicamente debe limpiarse para evitar el taponamiento de la pantalla, lo cual podría perjudicar el rendimiento del motor.

Para limpiar, retire el escudo del silenciador. Retire los cuatro tornillos y tire la placa con la pantalla conectada. Limpie cualquier partícula con un cepillo y vuelva a instalar. Asegúrese de que la junta esté en posición.



EL HORARIO DE LA MANTENIMIENTO DEL MOTOR

Verifique el nivel de aceite del motor . . . Antes de cada uso
Cambie el aceite del motor. Después de las primeras
20 horas de funcionamiento
y cada 50 horas de funcionamiento
Limpie el filtro de aire. Cada 50 horas de funcionamiento
Limpie la bujía. Cada 100 horas de funcionamiento
Limpie el arrestor de chispas Cada 50 horas de
funcionamiento

Tipo de aceite. Utilice aceite fresco de buena calidad tal como los grados SC, SD y SE. El aceite que será usado depende de la temperatura a la cual funciona el motor:

Verano: (temperaturas mayores que 40 grados F/10 grados C) SAE 30 ó SAE 10W-30, SAE 10W-40

Invierno: (temperaturas menores que 40 grados F/10 grados C) SAE 20 ó SAE 10W-30

GARANTIA LIMITADA

Cobertura de la garantía: Powermate Corporation (la Compañía) garantiza al cliente minorista original en América del Norte, que reparará o reemplazará, sin costo alguno, cualesquiera partes que la Compañía o cualquiera de sus representantes de servicio autorizados encuentren defectuosas en sus materiales o en su fabricación. Esta garantía cubre el costo de partes de reemplazo y mano de obra por defectos en materiales o en fabricación.

No están cubiertos:

- Costos de transporte por el envío del producto a la Compañía o a sus representantes de servicio autorizados por servicio de garantías, o por el reenvío de los productos reparados o de reemplazo al consumidor; estos cargos los deberá cubrir el cliente.
- El motor está cubierto exclusivamente por una garantía por separado por parte del fabricante del motor, que se incluye en el Manual del motor.
- Daños ocasionados por el mal uso o por un accidente, y los efectos de la corrosión, la erosión, el desgaste y el uso normales.
- La garantía no será válida si el consumidor no instala, da mantenimiento y hace funcionar el producto de acuerdo con las instrucciones y recomendaciones de la Compañía, descritas en el manual del usuario, o si el producto se utiliza como equipo de arrendamiento.
- La Compañía no pagará por reparaciones ni ajustes al producto, ni costos ni mano de obra, realizado sin la Compañía's la autorización previa.

Período de garantía: Dos (2) años de la fecha de la compra en productos utilizados únicamente para aplicaciones de consumo; si un producto se utiliza para usos comerciales o con fines de lucro, el período de garantía se limitará a un (1) año a partir de la fecha de compra. Para obtener el servicio de garantía, el cliente debe proporcionar el comprobante de compra fechado y debe notificar a la Compañía dentro del período de garantía.

Para el servicio de garantía: Llame sin costo al número 800-445-1805 o escriba a *Powermate Corporation, Product Services, 4970 Airport Road, P. O. Box 6001, Kearney, NE 68848 EE. UU.*

EXCLUSIONES Y LIMITACIONES: LA COMPAÑÍA NO OTORGA NINGUNA OTRA GARANTÍA DE NINGÚN TIPO, EXPLÍCITA O IMPLÍCITA. POR ESTE MEDIO SE RENUNCIA A LAS GARANTÍAS IMPLÍCITAS, INCLUYENDO GARANTÍAS DE COMERCIABILIDAD O DE ADAPTABILIDAD PARA UN PROPÓSITO PARTICULAR. EL SERVICIO DE GARANTÍA DESCRITO ANTERIORMENTE ES EL RECURSO EXCLUSIVO CUBIERO POR ESTA GARANTÍA; LA RESPONSABILIDAD CIVIL POR DAÑOS INCIDENTALES Y CONSECUENTES SE EXCLUYEN EN LA MEDIDA EN QUE LA LEY LO PERMITA.

Esta garantía le otorga derechos legales específicos y también puede ser objeto de otros derechos que varían de estado a estado. Algunos Estados no permiten la exención de responsabilidad de garantías implícitas o la exclusión o limitación de daños incidentales o consecuentes, de manera que las exenciones y exclusiones de responsabilidades pueden no ser aplicables a usted.

DECLARACIÓN DE GARANTÍA DEL CONTROL DE EMISIÓN DE CALIFORNIA LOS DERECHOS Y OBLIGACIONES DE SU GARANTÍA

El Consejo de los Recursos del Aire de California y Powermate Corporation (de aquí en adelante denominada "Powermate") se complace en explicar la garantía del sistema de control de emisiones evaporativas (EECS por sus siglas en inglés) en su generador modelo 2006. En California, los generadores nuevos deben diseñarse, fabricarse y equiparse de manera que cumplan con los estrictos estándares contra emisiones de humo del estado. Powermate debe garantizar el EECS en su generador por los períodos de tiempo que se indican a continuación, siempre que no haya habido abuso, negligencia o mantenimiento incorrecto de su generador.

Su EECS incluye las siguientes piezas: Mangueras de combustible.

COBERTURA DE LA GARANTÍA DEL FABRICANTE:

Este sistema de control de emisiones evaporativas tiene una garantía de dos años. El período de garantía comienza en la fecha en que se le entregue el generador al comprador final.

Powermate garantiza al comprador final y a cualquier propietario subsiguiente que el generador (i) está diseñado, fabricado y equipado de acuerdo con todos los reglamentos aplicables; y (ii) no tiene defectos en materiales ni en mano de obra que pudieran provocar fallas en alguna de las piezas garantizadas que sea idéntica en lo que respecta al material a la pieza descrita en la solicitud de certificación de Powermate.

Si alguna de las piezas relacionadas con el sistema de emisiones evaporativas de su generador fallara, Powermate se compromete a repararla o reemplazarla por otra.

RESPONSABILIDADES DE LA GARANTÍA DEL PROPIETARIO:

Como propietario del generador, usted es responsable de que se le brinde el mantenimiento requerido que se indica en su manual del propietario. Powermate recomienda que guarde todos los recibos que hacen constar que se le dio mantenimiento a su generador; sin embargo, Powermate no puede negarse a prestar un servicio cubierto por la garantía, únicamente porque usted no cuenta con dichos recibos. No obstante, tenga en cuenta que Powermate puede negar la cobertura de su garantía si su generador o una pieza de éste ha fallado debido a abuso, negligencia, mantenimiento incorrecto o modificaciones no autorizadas.

Usted es responsable de llevar su generador a un centro de servicio de garantía autorizado de Powermate, en cuanto se presente el problema. Las reparaciones cubiertas por la garantía se realizarán en un período razonable, que no exceda 30 días. Si tiene alguna pregunta relacionada con la cobertura de su garantía, debe llamar al Servicio de Productos de Powermate al 1-800-445-1805.

DETALLES DE SU GARANTÍA

La garantía que cubre las piezas relacionadas con el sistema de emisiones evaporativas, sujeta a ciertas condiciones y exclusiones que se indican abajo, establece lo siguiente:

- (1) Cualquier pieza garantizada, no programada para ser reemplazada como parte del mantenimiento requerido en las instrucciones escritas que se le proporcionaron, está garantizada por el período que se indicó anteriormente. Si la pieza fallara durante el período de cobertura de la garantía, Powermate la reparará o reemplazará de acuerdo con la subsección (4) que se incluye más abajo. Dicha pieza reparada o reemplazada bajo la cobertura de la garantía, se garantizará por el resto del período.
- (2) Cualquier pieza garantizada, programada únicamente para inspección regular en las instrucciones escritas que se le proporcionaron, está garantizada por el período de la garantía que se indicó anteriormente. Dicha pieza reparada o reemplazada bajo la cobertura de la garantía, se garantizará por el resto del período de la garantía.
- (3) Cualquier pieza, programada para ser reemplazada como parte del mantenimiento requerido en las instrucciones que se le proporcionaron, está garantizada por el período de tiempo anterior a la fecha del primer reemplazo programado para esa pieza. Si la pieza fallara antes de la fecha del primer reemplazo programado, Powermate la reparará o reemplazará de acuerdo con la subsección (4) que se incluye a continuación. Dicha pieza reparada o reemplazada bajo la cobertura de la garantía, se garantizará por el resto del período, antes de la fecha del primer reemplazo programado para la pieza.
- (4) La reparación o reemplazo de cualquier pieza establecida en las cláusulas de la garantía, deberá efectuarse en un centro de servicio de garantía autorizado de Powermate, sin que el propietario incurra en gasto alguno.
- (5) El propietario del generador no deberá pagar la mano de obra del diagnóstico que esté directamente relacionado con el diagnóstico de una pieza del sistema de emisiones evaporativas en mal estado y garantizada, siempre que dicho diagnóstico sea llevado a cabo en un centro de servicio de garantía autorizado de Powermate.
- (6) Powermate es responsable de los daños hechos a otros componentes del motor o generador provocados inminentemente por una falla cubierta por la garantía, de alguna pieza garantizada.
- (7) Durante el período de garantía del generador, el cual se indica anteriormente, Powermate mantendrá un suministro suficiente de piezas garantizadas para satisfacer la demanda esperada de dichas piezas.
- (8) Para realizar el mantenimiento o las reparaciones cubiertos por la garantía podrá usarse cualquier pieza de repuesto, la cual deberá proporcionarse en forma gratuita al propietario. Dicho uso no reducirá las obligaciones de la garantía de Powermate.
- (9) No podrán utilizarse piezas incorporadas o modificadas que no estén exentas por el Consejo de los Recursos del Aire de California. Si el comprador final utilizara alguna pieza incorporada o modificada que no esté exenta, esto constituirá motivo de anulación de los reclamos de la garantía. Powermate no será responsable de garantizar daños en piezas garantizadas, provocados por el uso de una pieza modificada o incorporada que no está exenta.
- (10) La reparación o reemplazo de alguna pieza garantizada que de algún modo cumpla con los requisitos de la cobertura de la garantía, puede ser excluida de dicha cobertura si se comprueba que el generador ha sido sometido a abuso, negligencia o mantenimiento incorrecto y que dicho abuso, negligencia o mantenimiento incorrecto ha sido la causa directa de la reparación o cambio de la pieza.

PIEZAS GARANTIZADAS:

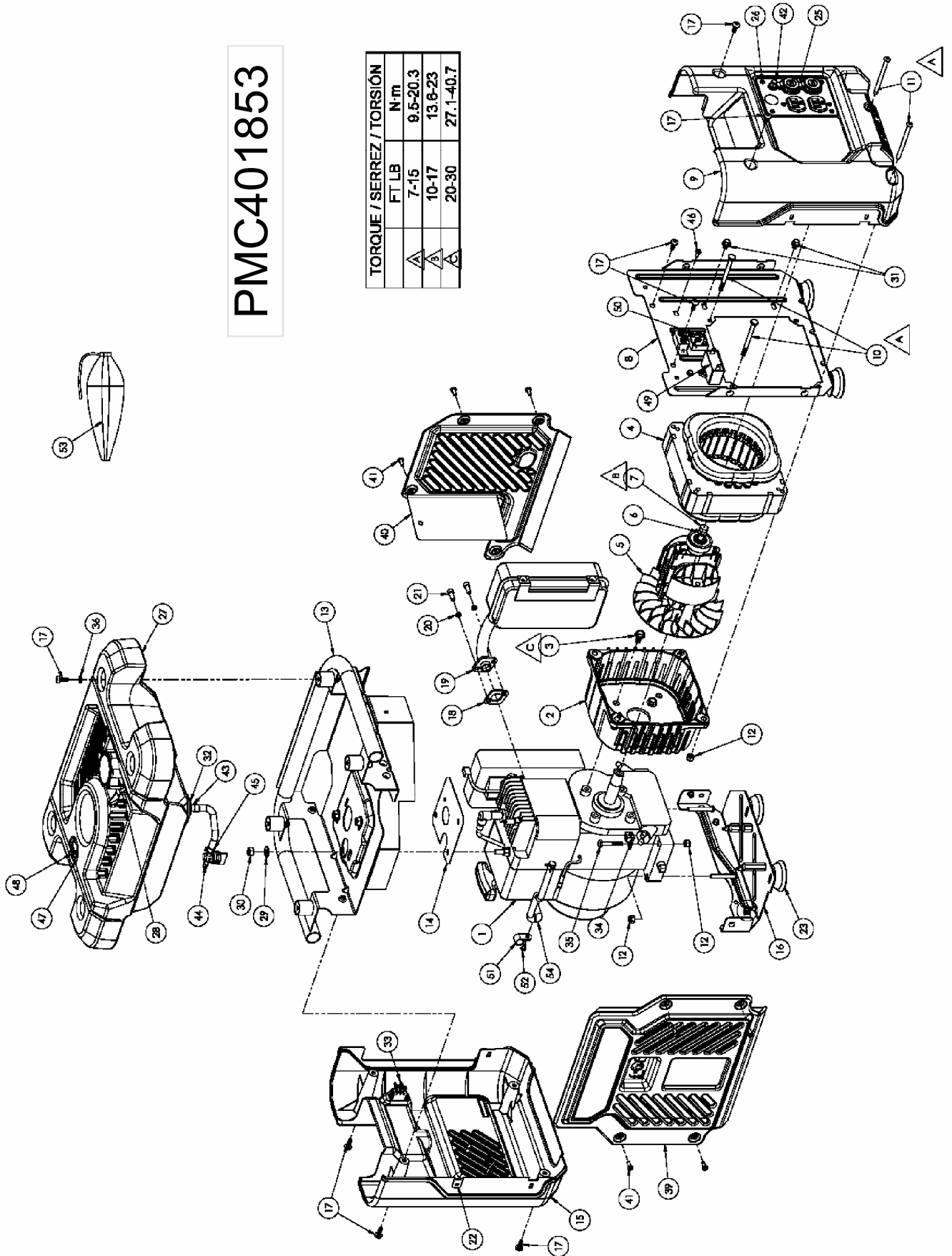
Las piezas del sistema de emisiones evaporativas que están cubiertas por la garantía son las siguientes:

Manguera de combustible.

PARTS DRAWING / SCHEMA DES PIÈCES / DIAGRAMA DE PIEZAS

PMC401853

TORQUE / SERREZ / TORSIÓN	
FT LB	N m
7-15	9.5-20.3
10-17	13.6-23
20-30	27.1-40.7



PARTS LIST / LISTE DES PIÈCES / LISTA DE PIEZAS

Ref No Art Art Núm	Part No N° / P Pièces Núm	Description	Description	Descripción	Qty
1	Note A	Engine 3.5 hp B&S	Moteur	Motor	1
2	0050448.01	Engine Adapter	Adaptateur de moteur	Adaptador motor	1
3	0000901.01	Bolt Whz 5/16-24 x 5/8	Boulon, whz	Perno, whz	4
4	0062623	Stator	Stator	Estator	1
5	0062621	Rotor	Rotor	Rotor	1
6	Note B	Washer, Lock 5/16	Rondelle, plate	Arandela, cierre	1
7	0035022	Bolt, Rotor 5/16-24 x 5-1/8	Boulon, rotor	Perno, rotor	1
8	0062008	Assy, Stator Bracket	Assemblage, support de stator	Ensamble, soporte estator	1
9	0062774	Endbell	Couvre-enroulement	Placa lateral	1
10	Note B	Bolt, Hex HD 1/4-20 x 3	Boulon, hex	Perno, hex	2
11	0062006	Screw, Torx T30 1/4-20 x 3.25	Vis, Torx T30	Tornillo, Torx T30	2
12	0040832	Nut, Nyloc 1/4-20	Ecrou, nyloc	Tuerca, nyloc	7
13	0062011	Assembly, handle bracket	Assemblage, support de manche	Ensamble, soporte mango	1
14	0062069	Shield, heat	Écran de chaleur	Pantalla para el calor	1
15	0062773	Panel, recoil	Panneau	Panel	1
16	0061952	Bracket, recoil	Support	Soporte	1
17	0062015	Screw, Torx T30 1/4-20	Vis, Torx	Tornillo, Torx	12
18	0049892	Gasket, Muf B&S	Joint sil	Junta, silenciador	1
19	0062002	Muffler B&S	Silencieux	Silenciador	1
20	Note B	Washer, Lock 1/4	Rondelle, contre-ecrou	Arandela, cierre	2
21	0049161	Screw SHC 1/4-20 x 5/8	Vis	Tornillo	2
22	0049846	Clip	Attache	Presilla	2
23	0047774	Foot, Rubber 106-W	Pied, caoutchouc	Pie, caucho	2
24	0062007	Screw, Torx T30 1/4-20 x 1.50	Vis, Torx T30	Tornillo, Torx T30	2
25	0062016	Panel, wired	Tableau, câble	Panel con cable	1
26	0062020	Screw #6-19 x .50	Vis	Tornillo	4
27	Note C	Assy, Fuel Tank	Assemblage, réservoir	Ensamble, tanque combustible	1
28	0062122	Cap, Fuel	Capuchon, réservoir d'essence	Tapa, combustible	1
29	Note B	Washer, Flat 5/1 6	Rondelle, plate	Arandela, plana	3
30	Note B	Nut 5/16-18	Ecrou	Tuerca	3
31	0050144	Bolt, Whz 1/4-20 x 3/8	Boulon, whz	Perno, whz	2
32	0062673	Fuel bushing	Bague d'essence	Buje de combustible	1
33	0050298	Switch, rocker	Interrupteur	Interruptor	1
34	0008854	Lug, Ground	Patte, mise à la terre	Oreja, tierra	1
35	Note B	Bolt, Hex 1/4-20 x 1-1/2	Boulon, hex	Perno, hex	1
36	0062093	Washer Nylon .25 ID	Rondelle en nylon	Arandela del nilón	4
39	0062512	Panel Side Cover	Panneau de couverture côté	Cubierta lateral panel	1
40	0062023	Shield, Muffler	Tole, silencieux	Escudo, silenciador	1
41	0062021	Screw, Torx T20 #10-24 x .50	Vis, Torx T20	Tornillo, Torx T20	8
42	0049953	Circuit Breaker, 12A	Disjoncteurs	Cortacircuitos	1
43	0051367.01	Fuel Filter	Epurateur d'essence	Filtro de combustible	1
44	0049920	Fuel Shut Off, Inline	Fermeture d'essence	Apagado combustible, en línea	1
45	0035857	Clamp, Hose 1/2"	Crampon, tuyau	Abrazadera, manguera	2
46	0055955	Screw CRPH #10-24 x .50	Vis	Tornillo	1
47	0062197	Bushing, breather	Bague	Buje	1
48	0061835	Assembly, duck bill fuel valve	Assemblage, Robinet de carburant	Ensamble, Válvula combustible	1
49	0047806	Capacitor	Condensateur	Condensador	1
50	0048677	Bridge Diode	Pont Diode	Puente Diodo	1
51	0047706	Clamp, Nylon 1/2"	Crampon, nylon	Abrazadera, nylon	1
52	0001537	Screw Hex Hd 8-32 x 3/8	Vis	Tornillo	1
53	0061992	Assembly, Battery Cable	Câble pour batterie	Batería, cable	1
54	0055853	Assembly, Fuel line	Essence ligne assemblée	Tubería de alimentación de combustible asamblea	1

Note A: Powermate Corporation will not provide engines as replacement parts. Engines are covered through the engine manufacturer's warranty. Consult the accompanying engine manual or contact our service department for assistance.

Note B: These are standard parts available at your local hardware store.

Note C: Contact your nearest Coleman® Powermate® Service Center for replacement fuel tanks.



WARNING

WARNING: To avoid possible personal injury or equipment damage, a registered electrician or an authorized service representative should perform installation and all service. Under no circumstances should an unqualified person attempt to wire into a utility circuit.

Electrical: For models approved for the City of Los Angeles, the ampacity of the phase conductors from the generator terminals to the first over current device shall not be less than 115 percent of the nameplate rating of the generator.

Remarque A: Powermate Corporation ne fournit pas de moteurs dans ses pièces détachées. Les moteurs sont couverts par la garantie du fabricant de moteurs. Consulter le manuel du moteur inclus ou contacter notre département de service après-vente pour toute assistance.

Remarque B: Ces pièces sont des pièces standard disponibles en quincaillerie.

Remarque C: Pour commander un réservoir de rechange, contacter Centre de service Coleman® Powermate® le plus proche.



AVERTISSEMENT

AVERTISSEMENT: Pour éviter toute blessure personnelle ou dommage à l'équipement, l'installation et tout entretien devraient être effectués par un électricien qualifié ou un préposé au service autorisé. En aucun cas, une personne non-qualifiée ne devrait essayer de faire le raccord au circuit principal.

Électricité: Pour les modèles approuvés pour la ville de Los Angeles: La charge limite en ampères des fils de phase allant des bornes du groupe électrogène au premier appareil en surcharge ne doit pas être inférieure à 115% de la puissance nominale indiquée sur la plaque des caractéristiques du groupe électrogène.

Nota A: Powermate Corporation no proporcionará los motores como repuestos. Los motores están cubiertos por medio de la garantía del fabricante del motor. Consulte el manual adjunto del motor o comuníquese con nuestro departamento de servicio para recibir ayuda al respecto.

Nota B: Estas son piezas estándar disponibles en su ferretería local.

Nota C: Para hacer pedidos de tanques, localice el Centro de Servicio de Coleman® Powermate® más cercano.



ADVERTENCIA

ADVERTENCIA: Para evitar posibles lesiones físicas o daños materiales, es necesario que la instalación y todo el servicio sea realizado por un electricista matriculado o representante de servicio autorizado. Bajo ninguna circunstancia debe permitirse que una persona que no está capacitada trate de manipular cables dentro del circuito de servicio eléctrico.

Eléctricos: El amperaje de los conductores de fase desde los terminales del generador al primer dispositivo de sobrecorriente no podrá ser menor que 115 por ciento del valor nominal que aparece en la placa de identificación del generador en los modelos aprobados para la ciudad de Los Angeles.




**4970 Airport Road
P. O. Box 6001
Kearney, NE 68848
1-800-445-1805
1-308-237-2181
Fax 1-308-234-4187**

© 2005 Powermate Corporation. All rights reserved.

Coleman® and  are registered trademarks of The Coleman Company, Inc. used under license.


Powermate® is a registered trademark of Powermate Corporation.

© 2005 Powermate Corporation. Tous droits réservés.

Coleman® et  sont des marques déposées de The Coleman Company, Inc. utilisées sous licence.

Powermate® est une marque déposée de Powermate Corporation.

© 2005 Powermate Corporation. Reservados todos los derechos.

Coleman® y  son marcas comerciales registradas de The Coleman Company, Inc. utilizadas bajo licencia.

Powermate® es una marca comercial registrada de Powermate Corporation.

Free Manuals Download Website

<http://myh66.com>

<http://usermanuals.us>

<http://www.somanuals.com>

<http://www.4manuals.cc>

<http://www.manual-lib.com>

<http://www.404manual.com>

<http://www.luxmanual.com>

<http://aubethermostatmanual.com>

Golf course search by state

<http://golfingnear.com>

Email search by domain

<http://emailbydomain.com>

Auto manuals search

<http://auto.somanuals.com>

TV manuals search

<http://tv.somanuals.com>