

**PMC496751**

**Insert  
Additif  
Adición**



---

---

## **ELECTRIC GENERATOR - GROUPE ELECTROGENE - GENERADOR ELECTRICO**

Thank you for selecting a Coleman® Powermate® Generator. The Coleman® Powermate® generator has been made to supply reliable, portable electrical power when utility power is not available. We hope you will enjoy your new generator. Welcome to our worldwide family of Coleman® Powermate® generator users.

Merci d'avoir choisi le groupe électrogène Coleman® Powermate®. Ce groupe électrogène Coleman® Powermate® a été conçu pour fournir le pouvoir électrique, portatif et fiable quand le pouvoir d'utilité n'est pas disponible. Nous espérons que votre groupe électrogène vous donnera entière satisfaction. Bienvenue dans la famille mondiale des utilisateurs de groupes électrogènes Coleman® Powermate®.

Gracias por seleccionar un generador Coleman® Powermate®. El generador Coleman® Powermate® ha sido diseñado para proporcionar energía eléctrica confiable y portátil cuando no hay servicio disponible de energía pública. Esperamos que disfrute de su nuevo generador. Bienvenido a nuestra familia de usuarios de generadores Coleman® Powermate® a nivel mundial.



---

**IMPORTANT – Please make certain that persons who are to use this equipment thoroughly read and understand these instructions and any additional instructions provided prior to operation.**

**IMPORTANT - Prière de vous assurer que les personnes destinées à utiliser cet appareil ont pris soin d'en lire et d'en comprendre le mode d'emploi ou les directives avant de le mettre en marche.**

**IMPORTANTE. Asegúrese que las personas que utilizarán este equipo lean y entiendan completamente estas instrucciones y cualquier instrucción adicional proporcionada antes del funcionamiento.**

## MAJOR GENERATOR FEATURES

- \* 13 HP Honda OHV engine
- \* Cast-iron cylinder sleeve
- \* Low oil sensor
- \* Electric start
- \* Receptacles on control panel
- \* CordKeeper™
- \* Automatic voltage regulator (AVR)
- \* 8 gallon plastic fuel tank
- \* Spark arrester
- \* Portability Kit

## CONTROL PANEL

### A. 120 V, 20 Ampere Duplex Receptacle

20 amps of current may be drawn from each half of the receptacle. However, total power drawn must be kept within nameplate ratings. These receptacles may be used along with the twistlock receptacle provided the generator is not overloaded.

### B. 120/240 V, 30 Ampere Twistlock Receptacle

A maximum of 30 amps may be drawn from the 120/240 volt receptacle, provided it is the only receptacle used. However, current must be limited to the nameplate rating. If the 120/240 volt receptacle is used along with the 120 volt receptacle, the total load drawn must not exceed the nameplate ratings.

### C. Circuit Breakers

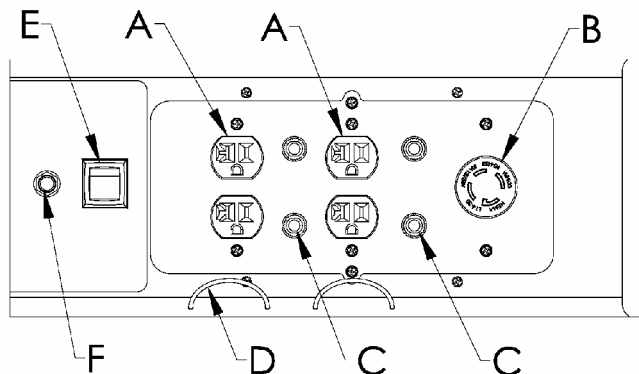
The receptacles are protected by an AC circuit breaker. If the generator is overloaded or an external short circuit occurs, the circuit breaker will trip. If this occurs, disconnect all electrical loads and try to determine the cause of the problem before attempting to use the generator again. If overloading causes the circuit breaker to trip, reduce the load. **NOTE: Continuous tripping of the circuit breaker may cause damage to generator or equipment.** The circuit breaker may be reset by pushing the button of the breaker.

### D. CordKeeper™ Restraint

The CordKeeper™ restraint is a unique feature used to prevent plugs from being pulled out of the receptacles.

### E. Engine On/Off Switch

### F. Engine Start Button



## LIMITED WARRANTY

**Warranty Coverage:** Powermate Corporation (the Company) warrants to the original retail customer in North America that it will repair or replace, free of charge, any parts found by the Company or its authorized service representative to be defective in material or workmanship. This warranty covers the cost of replacement parts and labor for defects in material or workmanship.

### Not Covered:

- Transportation charges for sending the product to the Company or its authorized service representative for warranty service, or for shipping repaired or replacement products back to the customer; these charges must be borne by the customer.
- Engine is covered exclusively by a separate warranty from the engine manufacturer, included with the engine Manual.
- Damages caused by abuse or accident, and the effects of corrosion, erosion and normal wear and tear.
- Warranty is voided if the customer fails to install, maintain and operate the product in accordance with the instructions and recommendations of the Company set forth in the owner's manual, or if the product is used as rental equipment.
- The Company will not pay for repairs or adjustments to the product, or for any costs or labor, performed without the Company's prior authorization.

**Warranty Period:** Two (2) years from the date of purchase on products used solely for consumer applications; if a product is used for business or commercial applications, the warranty period will be limited to one (1) year from the date of purchase. For warranty service, the customer must provide dated proof of purchase and must notify the Company within the warranty period.

**For warranty service: Call toll free 800-445-1805, or write to Powermate Corporation, Product Services, 4970 Airport Road, P. O. Box 6001, Kearney, NE 68848.**

**EXCLUSIONS AND LIMITATIONS:** THE COMPANY MAKES NO OTHER WARRANTY OF ANY KIND, EXPRESS OR IMPLIED. IMPLIED WARRANTIES, INCLUDING WARRANTIES OF MERCHANTABILITY AND OF FITNESS FOR A PARTICULAR PURPOSE, ARE HEREBY DISCLAIMED. THE WARRANTY SERVICE DESCRIBED ABOVE IS THE EXCLUSIVE REMEDY UNDER THIS WARRANTY; LIABILITY FOR INCIDENTAL AND CONSEQUENTIAL DAMAGES IS EXCLUDED TO THE EXTENT PERMITTED BY LAW.

This warranty gives you specific legal rights, and you may also have other rights which vary from state to state. Some states do not allow a disclaimer of implied warranties, or the exclusion or limitation of incidental and consequential damages, so the above disclaimers and exclusions may not apply to you.

## PORTABILITY KIT INSTALLATION

**TOOLS REQUIRED:** 7/16", 1/2" and 9/16" sockets and ratchets, block(s) of wood (minimum of 6" tall).  
Refer to the parts list on page 9.

### WHEEL INSTALLATION

1. Block up end of generator opposite the fuel tank cap to install wheel kit.
2. Insert wheel spacer (**item 45**) into the center of the wheel (**item 31**).
3. Slide 3/8 x 4.25" bolt (**item 35**) and 3/8 washer (**item 30**) through the wheel (**item 31**), then through the wheel bracket on the carrier, with the offset side of the wheel hub against the wheel bracket.
4. Thread 3/8 nyloc nut (**item 36**) onto the bolt and tighten to securely clamp the wheel assembly to the carrier.
5. Repeat above instructions for the remaining wheel.

### FOOT INSTALLATION

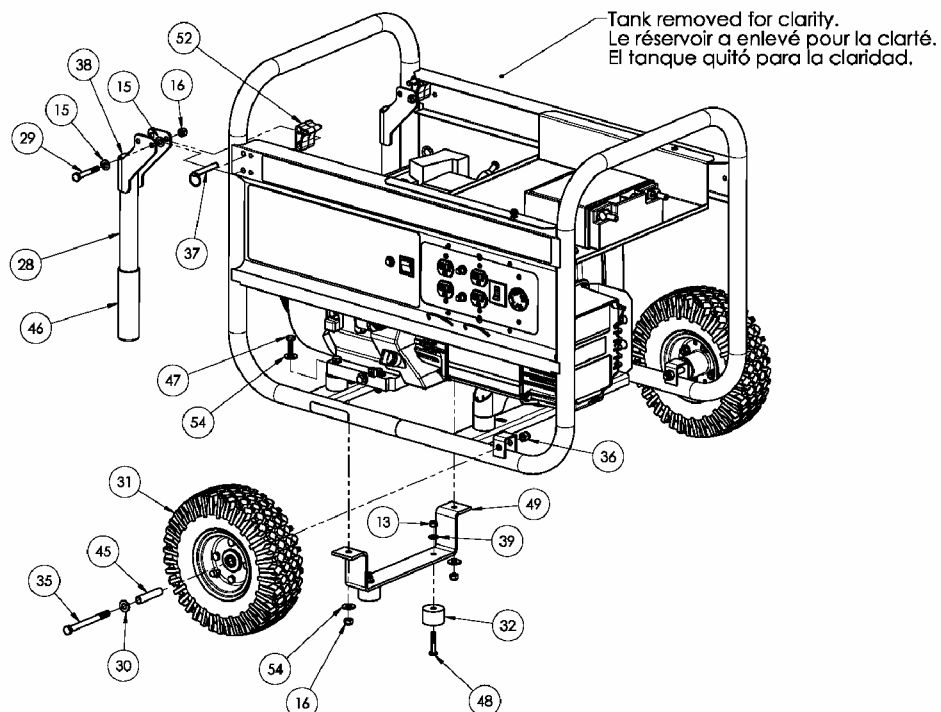
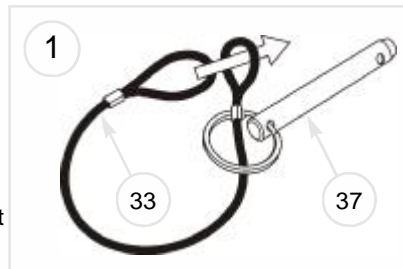
1. Assemble the rubber feet (**item 32**) to the foot bracket (**item 49**) using a 1/4-20 x 1.5" bolt (**item 48**). Thread a 1/4 washer (**item 39**) and a 1/4 nyloc nut (**item 13**) to the bolt to secure the assembly. **Caution: Do not over tighten so that the foot material collapses.**
2. Blocking up the alternator side of the generator, place the foot bracket under the carrier channel. Thread a 5/16-18 x 1" bolt (**item 47**) with a 5/16 wide washer (**item 54**) through the mounting holes and thread a 5/16 wide washer (**item 54**) and a 5/16 nyloc nut (**item 16**) to the bolt to secure the foot bracket to the carrier.

### HANDLE INSTALLATION

1. Place handle (**item 28**) and spacer (**item 52**) on carrier on same end as feet, as shown in the diagram.
2. Slide 5/16 x 2.25" bolt (**item 29**) and 5/16 washers (**item 15**) through handle and handle bracket as shown in diagram and secure with 5/16" nyloc nut (**item 16**). Tighten until handle is securely clamped to the carrier.
3. Apply aerosol hairspray or similar adhesive to the handle (**item 28**), and then slide the handle grip (**item 46**) onto the handle. The aerosol hairspray will allow for easier assembly and will adhere the grip to the handle.
4. Insert cap (**item 38**) into end of handle (**item 28**).
5. Repeat above instructions for the remaining handle.

### LOCKING HANDLE

1. Attach the lanyards (**item 33**) to the release pins (**item 37**) and carrier as shown in the illustration.
2. To lock the handle (**item 28**) in the extended position, align the holes in the handle brackets with the holes in the carrier brackets and insert the release pins (**item 37**).



## ELECTRIC START

This generator model is provided with both electric start and recoil start capabilities. The charger is a low amperage (1A) maintenance type charger. It will charge your battery as your generator runs. Avoid prolonged cranking, as it can damage the engine.

The battery provided is a nominal 12 volt sealed rechargeable lead-acid battery and can be operated in any position without leakage. It complies with non-spillable battery regulations. Its convenient size offers a 30% reduction over conventional batteries.

Length = 7.14 inches, Width = 3.03 inches,  
Height = 6.59 inches, Weight = 12.56 lbs  
18AH Rating  
UL Recognized

### Battery Kit Parts List

Item	Description	Qty
A	*Bolt, M5 x M12	2
B.	*Nut 5MM	2
C.	*Washer Flat M5	2

\* These are standard parts available at your local hardware store.

**Note: Brand New Generators are shipped with the Battery Connections disconnected. The Positive and Negative Terminals must be connected to the Battery before the Electric Start Feature will work.**

Initial Battery Connection - Refer to the Installation Instructions Below.

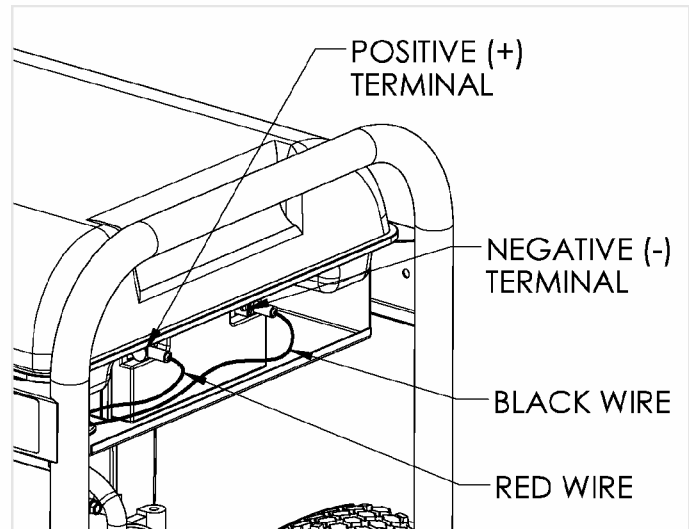
### Battery Removal & Installation:

**Removal:** Remove the nut and bolt from the negative and positive post, being careful not to short across the terminals. (Shorting the terminals together can cause sparks, damage to the battery or generator or even burns or explosions.) Always abide by the safety warnings provided with the battery. Remove the battery and re-cycle and dispose of properly.

### Installation:

Hook up the new battery, or re-install the new battery, as follows: Place the battery in the position provided. Connect the Red 10 Gauge wire to the positive (+) terminal and the Black 10 Gauge wire to the negative (-) terminal with the bolt, nut, and washer provided. Make sure all connections are tight. Your battery is now connected and ready for use. Turn the start rocker switch to the on position and push the start button to crank the engine.

**Note: Be sure Oil has been added to the engine as specified in the Owner's Manual.**



## CAUTION



- Do not short-circuit the battery terminals.
- Do not charge in a sealed container.
- Keep sparks, flame away.

**CALIFORNIA EMISSION CONTROL WARRANTY STATEMENT  
YOUR WARRANTY RIGHTS AND OBLIGATIONS**

The California Air Resources Board and Powermate Corporation (herein "Powermate") are pleased to explain the evaporative emission control system (EECS) warranty on your 2006 generator. In California, new generators must be designed, built and equipped to meet the State's stringent anti-smog standards. Powermate must warrant the EECS on your generator for the periods of time listed below, provided there has been no abuse, neglect or improper maintenance of your generator.

Your EECS includes parts such as: fuel hoses.

**MANUFACTURER'S WARRANTY COVERAGE:**

This evaporative emission control system is warranted for two years. The warranty period begins on the date the generator is delivered to an ultimate purchaser.

Powermate warrants to the ultimate purchaser and any subsequent owner that the generator is (i) designed, built and equipped so as to conform with all applicable regulations; and (ii) free from defects in materials and workmanship that cause the failure of a warranted part to be identical in all material respects to that part as described in Powermate's application for certification.

If any evaporative emission-related part on your generator is defective, the part will be repaired or replaced by Powermate.

**OWNER'S WARRANTY RESPONSIBILITIES:**

As the generator owner, you are responsible for performance of the required maintenance listed in your owner's manual. Powermate recommends that you retain all receipts covering maintenance on your generator, but Powermate cannot deny warranty solely for the lack of receipts. You should, however, be aware that Powermate may deny you warranty coverage if your generator or a part has failed due to abuse, neglect or improper maintenance or unapproved modifications.

You are responsible for presenting your generator to an authorized Powermate warranty service center as soon as the problem exists. The warranty repairs should be completed in a reasonable amount of time, not to exceed 30 days. If you have a question regarding your warranty coverage, you should call Powermate Product Service at 1-800-445-1805.

**DETAILS OF YOUR WARRANTY**

Subject to certain conditions and exclusions as stated below, the warranty on emission-related parts is as follows:

- (1) Any warranted part that is not scheduled for replacement as required maintenance in the written instructions supplied, is warranted for the period stated above. If the part fails during the period of warranty coverage, the part will be repaired or replaced by Powermate according to Subsection (4) below. Any such part repaired or replaced under warranty will be warranted for the remainder of the period.
- (2) Any warranted part that is scheduled only for regular inspection in the written instructions supplied, is warranted for the warranty period stated above. Any such part repaired or replaced under warranty will be warranted for the remaining warranty period.
- (3) Any warranted part that is scheduled for replacement as required maintenance in the written instructions supplied, is warranted for the period of time before the first scheduled replacement date for that part. If the part fails before the first scheduled replacement date, the part will be repaired or replaced by Powermate according to Subsection (4) below. Any such part repaired or replaced under warranty will be warranted for the remainder of the period prior to the first scheduled replacement date for the part.
- (4) Repair or replacement of any warranted part under the warranty provisions herein must be performed at an authorized Powermate warranty service center at no charge to the owner.
- (5) The generator owner will not be charged for diagnostic labor that is directly associated with diagnosis of a defective, emission-related warranted part, provided that such diagnostic work is performed at an authorized Powermate warranty service center.
- (6) Powermate is liable for damages to other engine or generator components proximately caused by a failure under warranty of any warranted part.
- (7) Throughout the generator warranty period stated above, Powermate will maintain a supply of warranted parts sufficient to meet the expected demand for such parts.
- (8) Any replacement part may be used in the performance of any warranty maintenance or repairs and must be provided without charge to the owner. Such use will not reduce the warranty obligations of Powermate.
- (9) Add-on or modified parts that are not exempted by the Air Resources Board may not be used. The use of any non-exempted add-on or modified parts by the ultimate purchaser will be grounds for disallowing a warranty claims. Powermate will not be liable to warrant failures or warranted parts caused by the use of a non-exempted add-on or modified part.
- (10) The repair or replacement of any warranted part otherwise eligible for warranty coverage may be excluded from such warranty coverage if the generator has been abused, neglected or improperly maintained, and such abuse, neglect or improper maintenance was the direct cause of the need for repair or replacement of the part.

**WARRANTED PARTS:**

The following emission warranty parts list is covered:

Fuel Hose.

## CARACTÉRISTIQUES PRINCIPALES DU GROUPE ELECTROGENE

- \* Moteur 13 HP Honda OHV
- \* Chemise de cylindres en fonte
- \* Détecteur de bas niveau d'huile
- \* Démarreur électrique
- \* Prises sur tableau de commande
- \* CordKeeper™
- \* La tension automatique régulatrice
- \* Réservoir de carburant en plastique d'une contenance de 30.3 litres (8 gallons)
- \* Pare-étincelles
- \* Kit de transport

## TABLEAU DE COMMANDE

### A. Prise double de 120 V, 20 A

20 ampères de courant peuvent être dessinés de chaque moitié de la prise. La charge totale doit cependant rester dans les limites indiquées sur la plaque signalétique. Ces prises peuvent s'utiliser en conjonction avec la prise à verrouillage à condition que le générateur ne soit pas surchargée.

### B. Prise à verrouillage de 120/240 V, 30 A

Cette prise de 120/240 V fournit un maximum de 30 A à condition que ce soit la seule utilisée. La charge totale doit par ailleurs rester dans les limites indiquées sur la plaque signalétique. Si la prise de 120/240 V est utilisée en conjonction avec les prises de 120 V, la charge totale ne doit pas dépasser les limites indiquées sur la plaque.

### C. Disjoncteurs

Les prises sont protégées par un disjoncteur alternatif. En cas de surcharge ou de court-circuit extérieur, le disjoncteur saute. Si cela se produit, débrancher tout appareil relié au groupe électrogène et essayer de déterminer la cause du problème avant d'essayer de le réutiliser. Si le disjoncteur saute en raison d'une surcharge, réduire la charge.

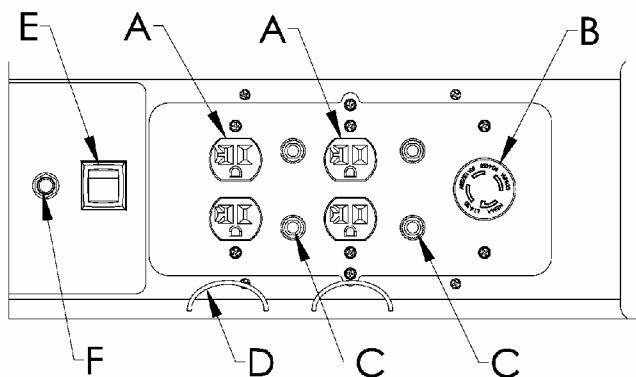
**REMARQUE : Le groupe électrogène ou les appareils branchés dessus peuvent se trouver abîmés si le disjoncteur saute continuellement.** Appuyer sur le bouton du disjoncteur pour le réenclencher.

### D. CordKeeper™ la Restriction

Le CordKeeper™ la restriction est un dispositif unique qui empêche la fiche de ressortir accidentellement d'une prise.

### E. Commutateur On/Off (Sur/De) du moteur

### F. Le Bouton de Début de moteur



## GARANTIE LIMITÉE

**Couverture limitée :** Powermate Corporation (la compagnie) garantit au revendeur d'origine en Amérique du Nord qu'elle réparera ou remplacera, sans frais, toutes les pièces que la compagnie ou que son représentant du service autorisé auront déterminé comme étant défectueuses du point de vue du matériel ou de la fabrication. La garantie couvre les coûts de remplacement des pièces et de main-d'œuvre pour tout défaut matériel ou de fabrication.

### Ce qui n'est pas couvert :

- Les frais de transport pour envoyer le produit à la compagnie ou à son représentant du service autorisé pour effectuer le travail couvert par la garantie, les frais d'expédition au client des produits réparés ou remplacés. Ces frais doivent être assumés par le client.
- Le moteur est couvert exclusivement par une garantie distincte du fabricant du moteur. Cette garantie est incluse dans le guide d'utilisation du moteur.
- Les dommages causés par un abus ou un accident, et les effets de la corrosion, de l'érosion ainsi que de l'usure normale.
- La garantie est annulée si le client n'arrive pas à installer, garder et faire fonctionner le produit conformément aux directives et aux recommandations de la compagnie formulées dans le guide d'utilisation, ou si le produit est utilisé comme équipement de location.
- La compagnie ne paiera pas de réparation ou des ajustements au produit, ou pour les coûts ou main-d'œuvre, exécuté sans l'autorisation préalable de la compagnie.

**Période couverte par la garantie :** Deux (2) ans à partir de la date d'achat sur les produits utilisés uniquement pour les applications de consommateur. Si le produit est utilisé à des fins d'affaires ou commerciales, la période couverte par la garantie se limite à un (1) an à partir de la date d'achat. En ce qui concerne l'entretien couvert par la garantie, le client doit présenter une preuve de la date d'achat et il doit aviser la compagnie au cours de la période couverte par la garantie.

**Pour tout ce qui touche l'entretien couvert par la garantie :** Composez sans frais le 1 800 445-1805, ou écrivez à **Powermate Corporation, Product Services, 4970 Airport Road, P. O. Box 6001, Kearney, NE 68848 É.-U.**

**EXCLUSIONS ET LIMITATIONS :** LA COMPAGNIE NE PRÉSENTE AUCUNE AUTRE GARANTIE, EXPRESSE OU IMPLICITE. LES GARANTIES IMPLICITES, INCLUANT LES GARANTIES DE QUALITÉ MARCHANDE ET DE CONFORMITÉ AUX BESOINS SONT, PAR LA PRÉSENTE, ABANDONNÉES. L'ENTRETIEN COUVERT PAR LA GARANTIE DÉCRIT CI-DESSUS EST UN RECOURS EXCLUSIF EN VERTU DE CETTE GARANTIE. LA RESPONSABILITÉ POUR DES DOMMAGES ACCESSOIRES ET INDIRECTS EST EXCLUE JUSQU'À LA LIMITE AUTORISÉE PAR LA LOI.

Cette garantie vous donne des droits spécifiques reconnus par la loi. Vous pouvez également bénéficier de certains autres droits, lesquels varient d'une province (État) à l'autre. Certaines provinces (ou certains États) n'autorisent pas de clauses de renonciation des garanties implicites ou de limites à l'égard de dommages accessoires ou indirects, ainsi, les clauses de renonciation et les exclusions ci-dessus peuvent ne pas s'appliquer à vous.

## L'INSTALLATION DE KIT DE TRANSPORT

**OUTILS NÉCESSAIRES :** Cliquet à rochet de 7/16 po, 1/2 po, et 9/16 po, blocs de bois (minimum de 6 po de hauteur)  
**Reportez-vous à la liste des pièces des page 9.**

### INSTALLATION DES ROUES

1. Faire reposer l'extrémité de la génératrice à l'opposé de celle où se trouve le capuchon du réservoir d'essence sur un bloc de façon à pouvoir effectuer la pose de la roue.
2. Insérer une bague d'espacement (**article 45**) dans le centre de la roue (**article 31**).
3. Enfiler le boulon de 3/8 x 4.25 po (**article 35**) et rondelle de 3/8 po (**article 30**) dans la roue (**article 31**), puis dans le support de la roue sur le transporteur, en le plaçant de façon à ce que le côté le plus en creux du moyeu de la roue repose contre le support.
4. Enfiler l'écrou à frein élastique de 3/8 po (**article 36**) sur le boulon et serrer de façon à bien fixer la roue sur la transporteur.
5. Procéder de la même façon pour l'autre roue.

### INSTALLATION DU PIED

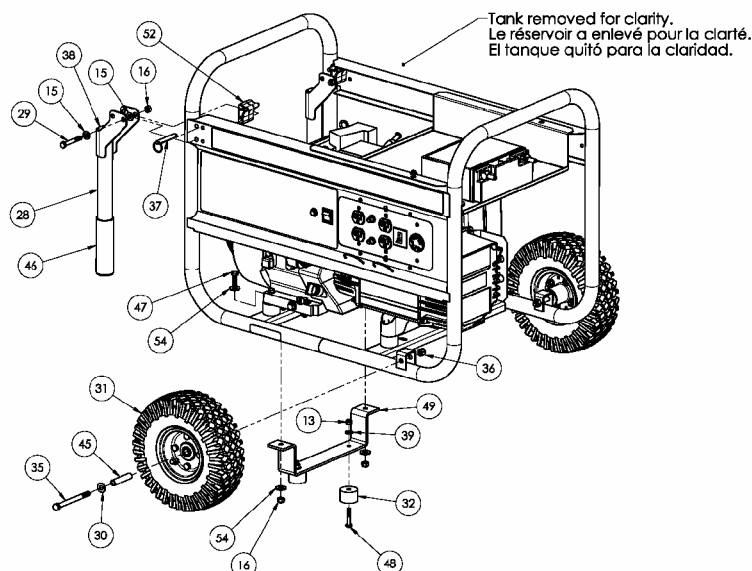
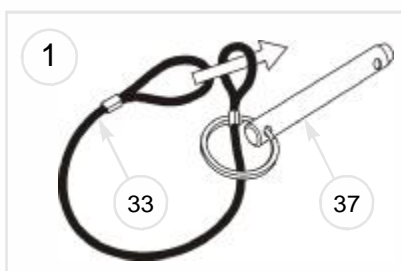
1. Monter le pied (**article 32**) sur le support de pied (**article 49**) au moyen d'un boulon de 1/4-20 x 1.5 po (**article 48**). Fixer l'ensemble en vissant sur le boulon un écrou nyloc (**article 13**), avec une rondelle (**article 39**). **Attention: ne pas trop serrer, pour ne pas écraser le matériau du pied.**
2. En bloquant le côté alternateur de la génératrice, mettre en place le support de pied sous le profilé en U. Visser un boulon de 5/16-18 x 1 po (**article 47**) avec une rondelle de 5/16 po large (**article 54**) dans les trous de fixation, puis visser sur le boulon un écrou nyloc de 5/16 po (**article 16**), avec une rondelle de 5/16 po large (**article 54**) pour fixer le support de pied au profilé.

### POSE DE LA POIGNEE

1. Mettre la poignée (**article 28**) et entretoise (**article 52**) sur la chariot du côté où se trouvent les pieds tel qu'indiqué sur le diagramme.
2. Insérer le boulon de 5/16 x 2.25 po (**article 29**) et rondelles de 5/16 po (**article 15**) dans la poignée et support de poignée tel qu'indiqué sur le diagramme et fixer en place à l'aide de l'écrou à frein élastique de 5/16 po (**article 16**). Serrer jusqu'à ce que la poignée soit bien fixée sur la chariot.
3. Appliquez un aérosol de laque ou un produit adhésif semblable sur la poignée (**article 28**) et faites ensuite glisser la prise (**article 46**) sur la poignée. L'emploi de l'aérosol de laque en facilitera l'assemblage et permettra à la prise de coller à la poignée.
4. L'insertion capuchon (**article 38**) dans les fin de poignée (**article 28**).
5. Procéder de la même façon pour l'autre poignée.

### POIGNEE VERROUILLANT

1. Attacher le lanyards (**article 33**) aux épingles de relâchement (**article 37**) et le transporteur selon l'illustration.
2. Pour verrouiller la poignée (**article 28**) dans la position étendue, aligner les trous dans les support de poignée avec les trous dans les support de transporteur et insérer les épingles de relâchement (**article 37**).





## DÉMARRAGE ÉLECTRIQUE

Ce modèle de génératrice est offert avec des fonctions de démarrage électrique ou de démarrage à rappel. Le chargeur est de type entretien à faible niveau de courant électrique (1A). Il permet de charger votre batterie lorsque votre génératrice est en marche. Évitez les démarrages prolongés car ils risquent d'endommager le moteur.

La batterie fournie en est une de type rechargeable au plomb étanche d'une charge nominale de 12 volts pouvant fonctionner dans n'importe quelle position sans risque de fuite. Elle est conforme aux règlements relatifs aux batteries hermétiques. Son format pratique est 30 pour cent plus compact que celui des batteries traditionnelles. Longueur = 18,13 cm (7.14 po), Largeur = 7,69 cm (3.03 po), Hauteur = 16,73 cm (6.59 po), Poids = 27,63 lb (12.56 lb) Régime nominal 18Ah  
Reconnue par UL

### Liste des pièces du nécessaire de batterie

Article	Description	Quantité
A	*Boulon, M5 x M12	2
B.	*Écrou 5MM	2
C.	*Rondelle plate M5	2

\*Toutes les pièces sont standard et sont en vente à la quincaillerie locale.

**NOTA : Les nouvelles génératrices sont expédiées avec les connexions de batterie débranchées. Les bornes positive et négative doivent être branchées à la batterie avant que la fonction de démarrage électrique puisse fonctionner.**

Branchement initial de la batterie - Reportez-vous aux directives d'installation ci-dessous.

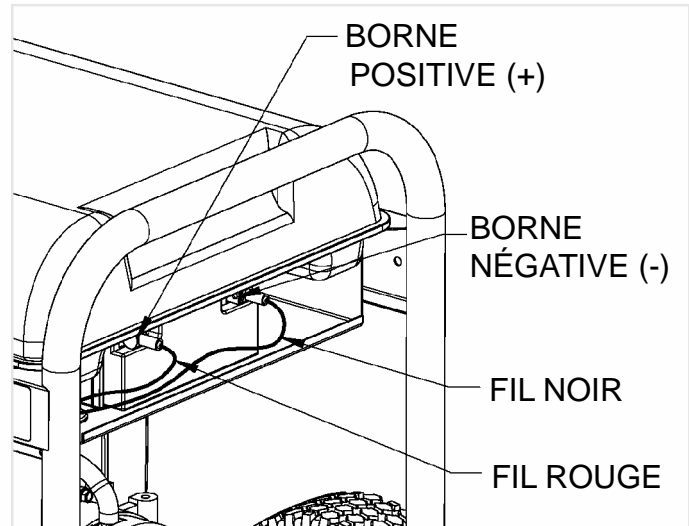
### Dépose et pose de la batterie

**Dépose.** Enlevez l'écrou et le boulon de la borne négative et positive de batterie en prenant soin de ne pas court-circuiter les bornes. (Le fait de court-circuiter les bornes peut causer des étincelles, des dommages à la batterie ou à la génératrice ou même des blessures ou des explosions.) Respectez toujours les avertissements en matière de sécurité fournis avec la batterie. Enlevez la batterie. Recyclez et jetez la batterie de manière appropriée.

### Pose:

Insérez la nouvelle batterie ou réinstallez la nouvelle batterie comme suit : Placer la batterie à l'emplacement prévu. Branchez le fil métallique rouge no 10 à la borne positive (+) et le fil métallique noir no 10 à la borne négative (-) à l'aide du boulon, de l'écrou, et rondelle fournis. Assurez-vous que toutes les connexions sont bien serrées. Votre batterie est maintenant branchée et prête à l'emploi. Tourner le commutateur clé pour couder le moteur.

**NOTA : Assurez-vous que de l'huile a été ajoutée au moteur, tel qu'il est précisé dans le guide du propriétaire.**



# ATTENTION



- Ne pas court-circuiter les bornes de la batterie.
- Ne pas charger dans un contenant étanche.
- Éloigner des étincelles et des flammes.



## **DÉCLARATION DE GARANTIE DE CONFORMITÉ AUX RÈGLEMENTS ANTIPOLLUTION DE LA CALIFORNIE DROITS ET OBLIGATIONS EN VERTU DE LA GARANTIE**

Le California Air Resources Board et la société Powermate Corporation (ci-après "Powermate") sont fiers d'expliquer la garantie de conformité du système de recyclage des vapeurs de carburant ("EECS") de votre génératrice 2006. Dans l'état de la Californie, les nouvelles génératrices doivent être conçues, fabriquées et équipées pour être conformes aux règlements antipollution stricts de l'État en matière de protection de l'environnement. Powermate doit garantir l'EECS de votre génératrice pour les périodes énumérées ci-dessous, pourvu que votre génératrice n'ait fait l'objet d'aucun usage abusif, négligence ou entretien inapproprié.

Votre EECS comprend des pièces telles que : les canalisations de carburant.

### **COUVERTURE DE GARANTIE DU FABRICANT :**

Ce système de recyclage des vapeurs de carburant est garanti pour une période de deux ans. La période de la garantie commence à la date de livraison de la génératrice à l'acheteur ultime.

Powermate garantit à l'acheteur ultime et à tout acheteur subséquent que la génératrice a été (i) conçue, fabriquée et équipée de manière à être conforme à tous les règlements applicables; et que (ii) celle-ci est exempte de défauts de matériel et de fabrication qui provoquent la défaillance identique d'une pièce sous garantie à tous les égards matériels que la pièce décrite dans la demande de certification de Powermate.

Si toute pièce de votre génératrice reliée aux vapeurs de carburant est défectueuse, celle-ci sera réparée ou remplacée par Powermate.

### **RESPONSABILITÉS DE LA GARANTIE DU PROPRIÉTAIRE :**

À titre de propriétaire de la génératrice, vous êtes responsable de l'exécution de l'entretien requis, tel qu'il figure dans votre guide du propriétaire. Powermate recommande que vous conserviez tous les reçus de l'entretien dont votre génératrice, mais Powermate ne peut refuser la garantie pour seule cause du manque de reçus. Toutefois, vous devez être conscient que Powermate peut refuser votre garantie si votre génératrice ou l'une de ses pièces a fait défaut en raison d'un usage abusif, d'une négligence ou d'un entretien inapproprié ou de modifications non autorisées.

Vous êtes responsable de remettre votre génératrice à un centre de service de garantie agréé de Powermate dès que l'anomalie se manifeste. Les réparations au titre de la garantie doivent être effectuées dans un laps de temps raisonnable ne devant pas dépasser 30 jours. Pour toute question concernant votre couverture de garantie, veuillez appeler le Service des produits Powermate au 1 800 445-1805.

### **DÉTAILS DE LA GARANTIE**

Sous réserve de certaines conditions et exclusions énumérées ci-dessous, la garantie sur les pièces de recyclage de carburant est la suivante :

- (1) Toute pièce sous garantie dont le remplacement n'est pas prévu à titre d'entretien requis dans les consignes écrites fournies est garantie pour la période précitée. Si la pièce fait défaut pendant la période de garantie, la pièce sera réparée ou remplacée par Powermate conformément à la sous-section (4) ci-dessous. Toute telle pièce réparée ou remplacée en vertu de la garantie sera toujours protégée en vertu de la garantie pour le reste de la période.
- (2) Toute pièce sous garantie dont seulement l'inspection régulière est prévue selon les consignes écrites fournies est garantie pour la période de garantie précitée. Toute telle pièce réparée ou remplacée en vertu de la garantie sera toujours protégée en vertu de la garantie pour le reste de la période de garantie.
- (3) Toute pièce sous garantie dont le remplacement est prévu à titre d'entretien requis dans les consignes écrites fournies est garantie pour la période précédant la première date prévue de remplacement de cette pièce. Si la pièce fait défaut avant la première date de remplacement prévue, la pièce sera réparée ou remplacée par Powermate conformément à la sous-section (4) ci-dessous. Toute telle pièce réparée ou remplacée en vertu de la garantie sera toujours protégée en vertu de la garantie pour le reste de la période précédant la première date de remplacement prévue pour cette pièce.
- (4) La réparation ou le remplacement de toute pièce sous garantie en vertu des dispositions de la garantie énoncées dans la présente doit être effectué chez un centre de service de garantie agréé de Powermate, sans frais pour le propriétaire.
- (5) Le propriétaire de la génératrice ne devra payer aucuns frais pour la main-d'œuvre de diagnostic directement reliée avec le diagnostic d'une pièce défectueuse sous garantie reliée aux vapeurs de carburant, pourvu que ledit travail de diagnostic soit effectué chez un centre de service de garantie agréé de Powermate.
- (6) Powermate est responsable des dommages aux autres composants de moteur ou de génératrice découlant directement d'une défaillance sous garantie de toute pièce sous garantie.
- (7) Tout au long de la période de garantie précitée de la génératrice, Powermate maintiendra un approvisionnement des pièces sous garantie en nombres suffisants pour satisfaire à la demande de telles pièces.
- (8) Toute pièce de rechange peut être utilisée dans l'exécution de tout entretien ou réparation sous garantie et doit être offerte sans frais pour le propriétaire. Une telle utilisation ne réduira pas les obligations de Powermate à l'égard de la garantie.
- (9) Les pièces ajoutées ou modifiées qui ne font pas l'objet d'une homologation par Air Resources Board ne peuvent être utilisées. L'utilisation par l'acheteur ultime de toute pièce ajoutée ou modifiée ne faisant pas l'objet d'une homologation donnera lieu à un refus de la réclamation au titre de la garantie. Powermate ne pourra être tenue responsable des défaillances de pièces sous garantie découlant de l'utilisation d'une pièce ajoutée ou modifiée ne faisant pas l'objet d'une homologation.
- (10) La réparation ou le remplacement de toute pièce sous garantie autrement admissible à une couverture de garantie peut être exclu de ladite couverture de garantie si la génératrice a fait l'objet d'un usage abusif, d'une négligence ou d'un entretien inapproprié, et si un tel usage abusif, négligence ou entretien inapproprié s'avère la cause directe du besoin de réparation ou de remplacement de la pièce.

### **PIÈCES SOUS GARANTIE :**

Les pièces énumérées ci-dessous sont couvertes par la garantie :

Canalisation de carburant.

## CARACTERÍSTICAS PRINCIPALES DEL GENERADOR

- \* Motor 13 HP Honda OHV
- \* Manga de hierro fundido del cilindro
- \* El sensor del nivel bajo de aceite
- \* Arranque eléctrico
- \* Receptáculos sobre el panel de control
- \* CordKeeper™
- \* El regulador automático del voltaje
- \* Tanque plástico de combustible con capacidad de 30.3 litros (8 galones)
- \* Apagachispas
- \* Juego de transporte

## PANEL DE CONTROL

### A. Receptáculo dúplex de 120 voltios, 20 amperes

20 amperes de la corriente se pueden dibujar de cada mitad del receptáculo. Sin embargo, la potencia total extraída debe mantenerse dentro de los valores nominales de la placa de identificación. Estos receptáculos pueden usarse junto con el receptáculo de cierre giratorio siempre y cuando el generador no esté sobrecargado.

### B. Receptáculo de cierre giratorio de 120/240 voltios, 30 amperes

Puede extraerse un máximo de 30 amp desde el receptáculo de 120/240 voltios siempre y cuando sea el único receptáculo usado. Sin embargo, la corriente debe limitarse al valor nominal de la placa de identificación. Si se utiliza un receptáculo de 120/240 voltios junto con los receptáculos de 120 voltios, la carga total extraída no debe exceder los valores nominales de la placa de identificación.

### C. Interruptor

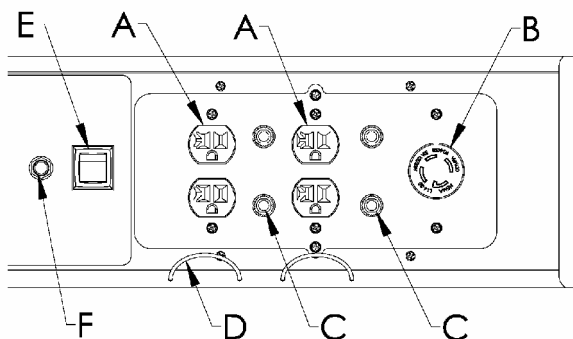
Los receptáculos se protegen mediante un cortacircuitos de CA. Si se sobrecarga el generador u ocurre un cortocircuito externo, el cortacircuitos saltará. Si esto ocurre, desconecte todas las cargas eléctricas y trate de determinar la causa del problema antes de usar el generador nuevamente. Si la sobrecarga causa que salte el cortacircuitos, reduzca la carga. **NOTA: Si salta continuamente el cortacircuitos, se podría dañar el generador o el equipo.** El cortacircuitos puede restaurarse pulsando el botón del cortacircuitos.

### D. CordKeeper™ Restricción

El CordKeeper™ restricción es una característica exclusiva que se utiliza para impedir que los tapones se salgan de los receptáculos de 120 voltios.

### E. El motor On/Off (En/De) Interruptor

### F. Botón de Comienzo de motor



## GARANTÍA LIMITADA

**Cobertura de la garantía:** Powermate Corporation (la Compañía) garantiza al cliente minorista original en América del Norte, que reparará o reemplazará, sin costo alguno, cualesquiera partes que la Compañía o cualquiera de sus representantes de servicio autorizados encuentren defectuosas en sus materiales o en su fabricación. Esta garantía cubre el costo de partes de reemplazo y mano de obra por defectos en materiales o en fabricación.

### No están cubiertos:

- Costos de transporte por el envío del producto a la Compañía o a sus representantes de servicio autorizados por servicio de garantías, o por el reenvío de los productos reparados o de reemplazo al consumidor; estos cargos los deberá cubrir el cliente.
- El motor está cubierto exclusivamente por una garantía por separado por parte del fabricante del motor, que se incluye en el Manual del motor.
- Daños ocasionados por el mal uso o por un accidente, y los efectos de la corrosión, la erosión, el desgaste y el uso normales.
- La garantía no será válida si el consumidor no instala, da mantenimiento y hace funcionar el producto de acuerdo con las instrucciones y recomendaciones de la Compañía, descritas en el manual del usuario, o si el producto se utiliza como equipo de arrendamiento.
- La Compañía no pagará por reparaciones ni ajustes al producto, ni costos ni mano de obra, realizado sin la Compañía's la autorización previa.

**Período de garantía:** Dos (2) años de la fecha de la compra en productos utilizados únicamente para aplicaciones de consumo; si un producto se utiliza para usos comerciales o con fines de lucro, el período de garantía se limitará a un (1) año a partir de la fecha de compra. Para obtener el servicio de garantía, el cliente debe proporcionar el comprobante de compra fechado y debe notificar a la Compañía dentro del período de garantía.

**Para el servicio de garantía: Llame sin costo al número 800-445-1805 o escriba a Powermate Corporation, Product Services, 4970 Airport Road, P. O. Box 6001, Kearney, NE 68848 EE. UU.**

**EXCLUSIONES Y LIMITACIONES:** LA COMPAÑÍA NO OTORGA NINGUNA OTRA GARANTÍA DE NINGÚN TIPO, EXPLÍCITA O IMPLÍCITA. POR ESTE MEDIO SE RENUNCIA A LAS GARANTÍAS IMPLÍCITAS, INCLUYENDO GARANTÍAS DE COMERCIABILIDAD O DE ADAPTABILIDAD PARA UN PROPÓSITO PARTICULAR. EL SERVICIO DE GARANTÍA DESCRITO ANTERIORMENTE ES EL RECURSO EXCLUSIVO CUBIERO POR ESTA GARANTÍA; LA RESPONSABILIDAD CIVIL POR DAÑOS INCIDENTALES Y CONSECUENTES SE EXCLUYEN EN LA MEDIDA EN QUE LA LEY LO PERMITA.

Esta garantía le otorga derechos legales específicos y también puede ser objeto de otros derechos que varían de estado a estado. Algunos Estados no permiten la exención o limitación de daños incidentales o consecuentes, de manera que las exenciones y exclusiones de responsabilidades pueden no ser aplicables a usted.

## INSTALACION DEL JUEGO DE TRANSPORT

**HERRAMIENTAS NECESARIAS:** Cubos y trinquetes de 7/16", 1/2", y 9/16", bloque(s) de madera, mínimo de 6" de alto.  
**Consulte la lista de partes en las página 9.**

### INSTALACIÓN DE LAS RUEDAS

1. Bloquee el extremo del generador situado en el lado opuesto a la tapa del tanque de combustible para instalar el juego de rueda.
2. Inserte el espaciador de la rueda (**artículo 45**) en el centro de la rueda (**artículo 31**).
3. Deslice el perno de 3/8 x 4.25" (**artículo 35**) y arandela de 3/8 (**artículo 30**) a través de la rueda (**artículo 31**), y luego a través del soporte de la rueda en el transportador, colocando el lado descentrado del centro de la rueda en contra del soporte.
4. Atornille la tuerca de nyloc de 3/8 (**artículo 36**) en el perno y apriétela para fijar firmemente el conjunto de la rueda a la transportador.
5. Repita el procedimiento anterior para la otra rueda.

### INSTALACION DEL PIE

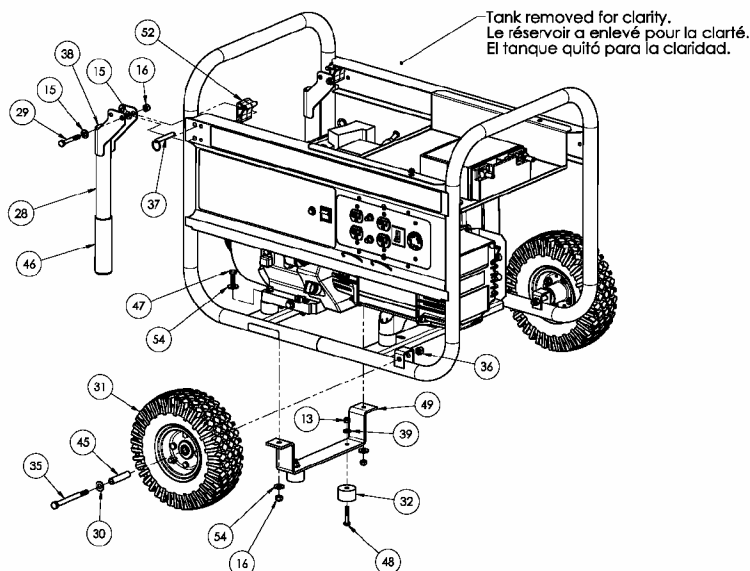
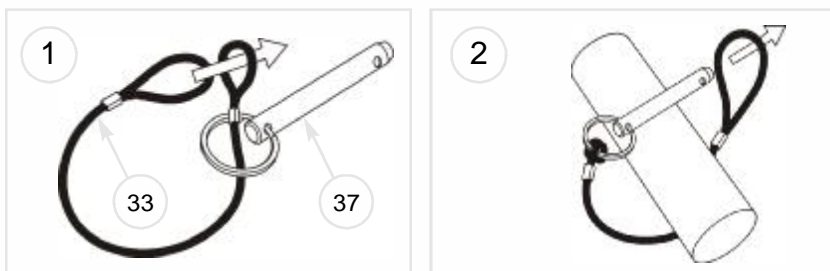
1. Ensamble la pie (**artículo 32**) al soporte de la misma (**artículo 49**) con un perno de 1/4-20 x 1.5" (**artículo 48**). Enrosque una arandela (**artículo 39**) y una tuerca nyloc (**artículo 13**) al perno para asegurar el ensamble. **Precaución: No apriete demasiado para que el material de la pie no colapse.**
2. Bloquee el lado del alternador del generador para colocar el soporte de la pie bajo el canal portador. Enrosque un perno de 5/16-18 x 1" (**artículo 47**) con una arandela de 5/16 lejos (**artículo 54**) a través de los orificios de montaje y enrosque una arandela de 5/16 lejos (**artículo 54**) y una tuerca nyloc de 5/16 (**artículo 16**) al perno para asegurar el soporte de la pie al portador.

### INSTALACIÓN DE LA MANIJA

1. Coloque la manija (**artículo 28**) y espaciador (**artículo 52**) sobre la transportadora en el mismo extremo de las patas, tal como se indica en el diagrama.
2. Deslice el perno de 5/16 x 2.25" (**artículo 29**) y arandela de 5/16 (**artículo 15**) a través de la manija y soporte del manija, tal como se indica en el diagrama, y fíjela con la tuerca de nyloc de 5/16" (**artículo 16**). Apriétela hasta que la manija quede firmemente asegurada a la transportadora.
3. Aplique rociador para el cabello en aerosol o un adhesivo similar a la manija (**artículo 28**), y luego deslice el agarradero de la manija (**artículo 46**) sobre la manija. El rociador para el cabello en aerosol permitirá un ensamble más fácil y adherirá el agarradero a la manija.
4. La adición tapa (**artículo 38**) en fines del manija (**artículo 28**).
5. Repita el procedimiento anterior para la otra manija.

### MANIJA QUE CIERRA

1. Conecte los acoladores (**artículo 33**) a los alfileres de la liberación (**artículo 37**) y el portador como mostrado en la ilustración.
2. Para cerrar el manija (**artículo 28**) en la posición extendida, alinea los hoyos en los soporte del manija con los hoyos en los soporte de transportador y mete los alfileres de la liberación (**artículo 37**).



## ARRANQUE ELÉCTRICO

El modelo de este generador se proporciona con capacidades de arranque tanto de impacto trasero como eléctrico. El cargador es del tipo para mantenimiento de bajo amperaje (1A). Cargará su batería cuando esté en marcha su generador. Evite el uso prolongado de arranque con manivela, pues esto puede dañar el motor.

La batería que se suministra es de plomo-ácido, de 12 voltios nominales, sellada y recargable y se puede poner en funcionamiento en cualquier posición sin que presente fugas. Cumple con las regulaciones de baterías antiderrame. Su cómodo tamaño ofrece una reducción del 30% sobre otras baterías convencionales.

Longitud = 7.14 pulg, Ancho = 3.03 pulg, Altura = 6.59 pulg  
Altura = 12.56 lb

18AH nominal

Reconocida por UL

### Lista de piezas del kit de batería

Artículo	Descripción	Cant.
A	*Perno, M5 x M12	2
B.	*Tuerca 5mm	2
C.	*Arandela plana M5	2

\*Todas las partes son estándar y puede encontrarlas en su ferretería local.

**Nota: Los generadores nuevos de marca se envían con las conexiones de la batería sin conectar. Las terminales positiva y negativa deben conectarse con la batería antes de que se ponga en marcha la función Arranque eléctrico.**

Conexión inicial de la batería: Consulte las Instrucciones de instalación que aparecen a continuación.

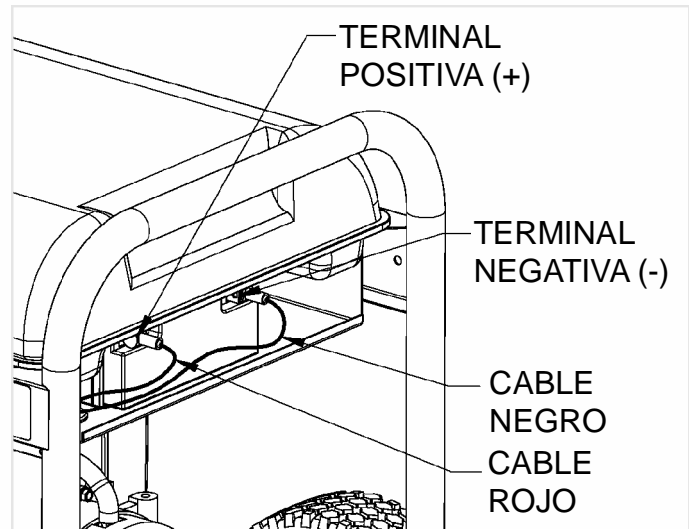
### Extracción e instalación de la batería:

**Extracción:** Retire la tuerca y el perno de la terminal negativa y la positiva, teniendo cuidado de no causar cortocircuito en las terminales. (Un cortocircuito al juntar las terminales puede causar chispas, daños a la batería o al generador y hasta quemaduras o explosiones.) Siempre observe las advertencias de seguridad que se suministran con la batería. Retire la batería; asimismo, recíclela y deséchela de manera adecuada.

### Instalación:

Acople la nueva batería, o vuelva a instalarla, como se muestra a continuación. Coloque la batería en la posición provista. Por medio del perno, tuerca, y la arandela suministrados, conecte el cable rojo diámetro 10 con la terminal positiva (+) y el cable negro diámetro 10 con la terminal negativa (-). Asegúrese de que todas las conexiones estén firmes. Ahora se encuentra conectada su batería y lista para utilizarse. Gire el interruptor clave para acodar el motor.

**Nota: Asegúrese de que se haya agregado aceite al motor, según se especifica en el Manual del propietario.**



## PRECAUCIÓN



- **No cause cortocircuito en las terminales de las baterías.**
- **No realice la carga en un recipiente sellado.**
- **Mantenga alejadas las chispas y las llamas.**

## **DECLARACIÓN DE GARANTÍA DEL CONTROL DE EMISIÓN DE CALIFORNIA LOS DERECHOS Y OBLIGACIONES DE SU GARANTÍA**

El Consejo de los Recursos del Aire de California y Powermate Corporation (de aquí en adelante denominada "Powermate") se complace en explicar la garantía del sistema de control de emisiones evaporativas (EECS por sus siglas en inglés) en su generador modelo 2006. En California, los generadores nuevos deben diseñarse, fabricarse y equiparse de manera que cumplan con los estrictos estándares contra emisiones de humo del estado. Powermate debe garantizar el EECS en su generador por los períodos de tiempo que se indican a continuación, siempre que no haya habido abuso, negligencia o mantenimiento incorrecto de su generador.

Su EECS incluye las siguientes piezas: Mangueras de combustible.

### **COBERTURA DE LA GARANTÍA DEL FABRICANTE:**

Este sistema de control de emisiones evaporativas tiene una garantía de dos años. El período de garantía comienza en la fecha en que se le entregue el generador al comprador final.

Powermate garantiza al comprador final y a cualquier propietario subsiguiente que el generador (i) está diseñado, fabricado y equipado de acuerdo con todos los reglamentos aplicables; y (ii) no tiene defectos en materiales ni en mano de obra que pudieran provocar fallas en alguna de las piezas garantizadas que sea idéntica en lo que respecta al material a la pieza descrita en la solicitud de certificación de Powermate.

Si alguna de las piezas relacionadas con el sistema de emisiones evaporativas de su generador fallara, Powermate se compromete a repararla o reemplazarla por otra.

### **RESPONSABILIDADES DE LA GARANTÍA DEL PROPIETARIO:**

Como propietario del generador, usted es responsable de que se le brinde el mantenimiento requerido que se indica en su manual del propietario. Powermate recomienda que guarde todos los recibos que hacen constar que se le dio mantenimiento a su generador; sin embargo, Powermate no puede negarse a prestar un servicio cubierto por la garantía, únicamente porque usted no cuenta con dichos recibos. No obstante, tenga en cuenta que Powermate puede negar la cobertura de su garantía si su generador o una pieza de éste ha fallado debido a abuso, negligencia, mantenimiento incorrecto o modificaciones no autorizadas.

Usted es responsable de llevar su generador a un centro de servicio de garantía autorizado de Powermate, en cuanto se presente el problema. Las reparaciones cubiertas por la garantía se realizarán en un período razonable, que no exceda 30 días. Si tiene alguna pregunta relacionada con la cobertura de su garantía, debe llamar al Servicio de Productos de Powermate al 1-800-445-1805.

### **DETALLES DE SU GARANTÍA**

La garantía que cubre las piezas relacionadas con el sistema de emisiones evaporativas, sujeta a ciertas condiciones y exclusiones que se indican abajo, establece lo siguiente:

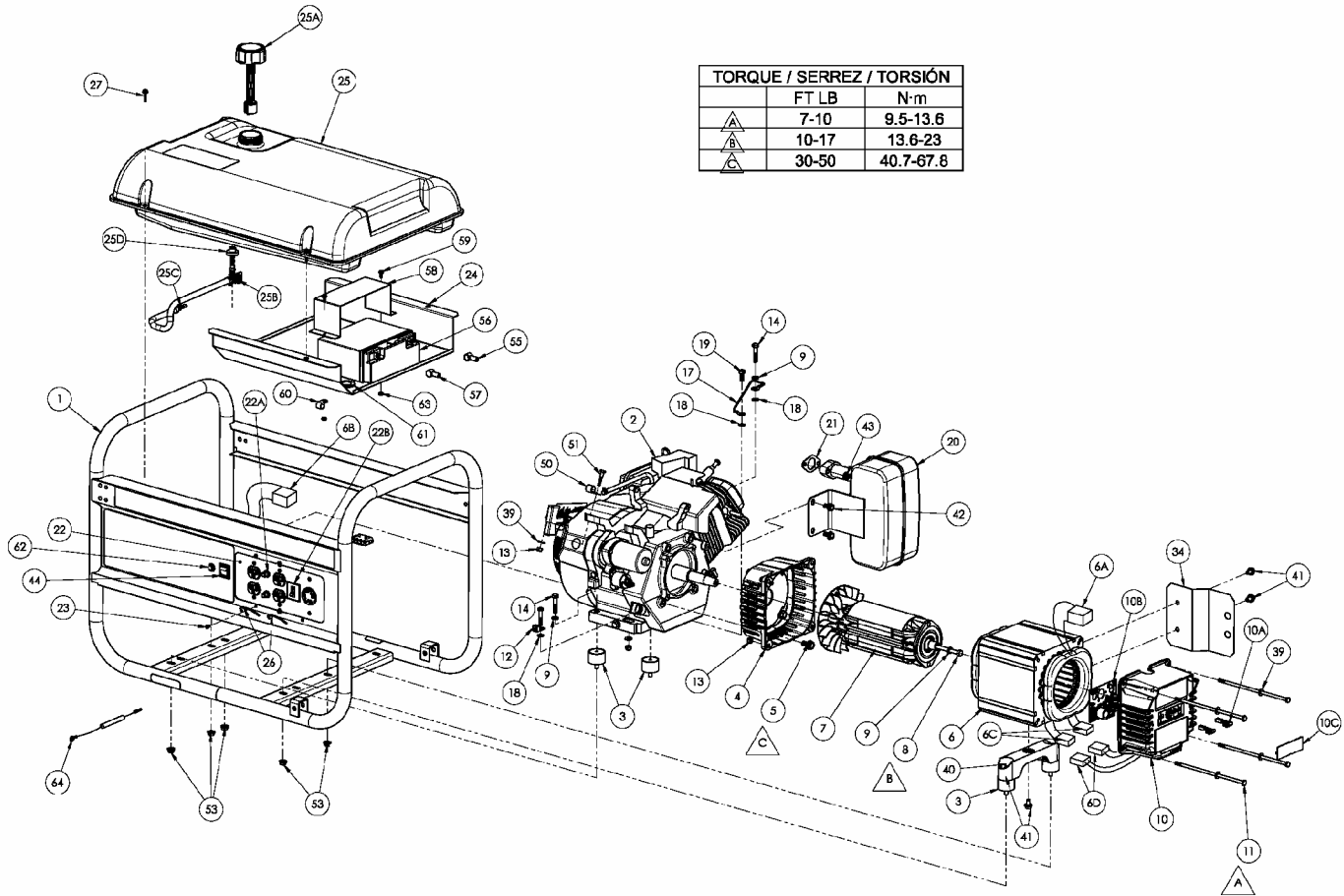
- (1) Cualquier pieza garantizada, no programada para ser reemplazada como parte del mantenimiento requerido en las instrucciones escritas que se le proporcionaron, está garantizada por el período que se indicó anteriormente. Si la pieza fallara durante el período de cobertura de la garantía, Powermate la reparará o reemplazará de acuerdo con la subsección (4) que se incluye más abajo. Dicha pieza reparada o reemplazada bajo la cobertura de la garantía, se garantizará por el resto del período.
- (2) Cualquier pieza garantizada, programada únicamente para inspección regular en las instrucciones escritas que se le proporcionaron, está garantizada por el período de la garantía que se indicó anteriormente. Dicha pieza reparada o reemplazada bajo la cobertura de la garantía, se garantizará por el resto del período de la garantía.
- (3) Cualquier pieza, programada para ser reemplazada como parte del mantenimiento requerido en las instrucciones que se le proporcionaron, está garantizada por el período de tiempo anterior a la fecha del primer reemplazo programado para esa pieza. Si la pieza fallara antes de la fecha del primer reemplazo programado, Powermate la reparará o reemplazará de acuerdo con la subsección (4) que se incluye a continuación. Dicha pieza reparada o reemplazada bajo la cobertura de la garantía, se garantizará por el resto del período, antes de la fecha del primer reemplazo programado para la pieza.
- (4) La reparación o reemplazo de cualquier pieza establecida en las cláusulas de la garantía, deberá efectuarse en un centro de servicio de garantía autorizado de Powermate, sin que el propietario incurra en gasto alguno.
- (5) El propietario del generador no deberá pagar la mano de obra del diagnóstico que esté directamente relacionado con el diagnóstico de una pieza del sistema de emisiones evaporativas en mal estado y garantizada, siempre que dicho diagnóstico sea llevado a cabo en un centro de servicio de garantía autorizado de Powermate.
- (6) Powermate es responsable de los daños hechos a otros componentes del motor o generador provocados inminentemente por una falla cubierta por la garantía, de alguna pieza garantizada.
- (7) Durante el período de garantía del generador, el cual se indica anteriormente, Powermate mantendrá un suministro suficiente de piezas garantizadas para satisfacer la demanda esperada de dichas piezas.
- (8) Para realizar el mantenimiento o las reparaciones cubiertos por la garantía podrá usarse cualquier pieza de repuesto, la cual deberá proporcionarse en forma gratuita al propietario. Dicho uso no reducirá las obligaciones de la garantía de Powermate.
- (9) No podrán utilizarse piezas incorporadas o modificadas que no estén exentas por el Consejo de los Recursos del Aire de California. Si el comprador final utilizara alguna pieza incorporada o modificada que no esté exenta, esto constituirá motivo de anulación de los reclamos de la garantía. Powermate no será responsable de garantizar daños en piezas garantizadas, provocados por el uso de una pieza modificada o incorporada que no está exenta.
- (10) La reparación o reemplazo de alguna pieza garantizada que de algún modo cumpla con los requisitos de la cobertura de la garantía, puede ser excluida de dicha cobertura si se comprueba que el generador ha sido sometido a abuso, negligencia o mantenimiento incorrecto y que dicho abuso, negligencia o mantenimiento incorrecto ha sido la causa directa de la reparación o cambio de la pieza.

### **PIEZAS GARANTIZADAS:**

Las piezas del sistema de emisiones evaporativas que están cubiertas por la garantía son las siguientes:

Manguera de combustible.

PARTS DRAWING / SCHEMA DES PIÈCES / DIAGRAMA DE PIEZAS



PMC496751

PARTS LIST / LISTE DES PIÈCES / LISTA DE PIEZAS

REF. NO.	PART NO.	DESCRIPTION	DESCRIPTION	DESCRIPCIÓN	QTY
1	0064292	Carrier, assembly	Ensemble transport	Transportador, conjunto	1
	Note A	Engine 13 hp Honda OHV ES	Moteur	Motor	1
3	0051094	Isolator	Sectionneur	Aislador	4
4	0050236.01	Adapter, engine	Adaptateur pour moteur	Adaptador, motor	1
5	0000919.01	Bolt whz 3/8-16 x .75	Boulon	Perno	4
6	0064374	Stator 6.75 KW 60 HZ AVR	Stator	Estator	1
6A	0063172	Connector, stator	Connecteur, stator	Conector, estator	1
6B	0062797	Connector, panel	Connecteur, tableau	Conector, panel	1
6C	0056717	Connector, stator	Connecteur, stator	Conector, estator	2
6D	0049835	Connector, endbell	Connecteur, couvre-enroulement	Conector, caja posterior	2
7	0052293	Rotor 7 KW	Rotor	Rotor	1

## PARTS LIST / LISTE DES PIÈCES / LISTA DE PIEZAS

REF. NO.	PART NO.	DESCRIPTION	DESCRIPTION	DESCRIPCIÓN	QTY
8	0049613.01	Bolt, hex 5/16-24 x 8.69	Boulon	Perno	1
9	Note B	Washer, lock 5/16	Contre-écrou 5/16	Arandela, de cierre 5/16	3
10	0062478	Endbell Wired AVR	Couvre-enroulement, câblage complet tableau	Caja posterior con cable	1
10A	0050439	Brush, E-4R	Balais, E-4R	Escobilla, E-4R	2
10B	0062975	Assembly, AVR board	Ensemble de planche de tension automatique régulatrice	Conjunto de la tabla del regulador automático del voltaje	1
10C	0062745	Brush Cover	Couvre-balais	Cubierta de escobillas	1
11	0035170	Bolt, hex hd 1/4-20 x 8	Boulon	Perno	4
12	0008854	Lug, ground	Oeillet de mise à la terre	Terminal, tierra	1
13	0040832	Nut, nyloc 1/4-20	Écrous nyloc 1/4-20	Tuerca, nyloc 1/4-20	7
14	Note B	Bolt, 5/16-18 x 1 1/2	Boulon	Perno	2
15	Note B	Washer, flat 5/16	Rondelle plates 5/16	Arandela, plana 5/16	4
16	0048736	Nut, nyloc 5/16-18	Écrous nyloc 5/16-18	Tuerca, nyloc 5/16-18	4
17	0049224	Assembly, ground wire	Ensemble fil de masse tressé a tierra	Conjunto, cable trenzado	1
18	Note B	Washer, star external 5/16	Rondelle à dents externa 5/16	Arandela, estrella	3
19	Note B	Bolt, hex 5/16-18 x 3/4	Boulon, tête hex 5/16-18 x 3/4	Perno	1
20	0057664	Muffler	Silencieux	Silenciador	1
21	0061392	Gasket	Joint	Empaquetadura	1
22	0064375	Panel, wired	Tableau complet câblé	Panel, cabeado completo	1
22A	0049071	Circuit Breaker 20 amp	Disjoncteurs 20 amp	Cortacircuitos 20 amp	2
22B	0062838	Circuit Breaker 30 amp dual	Disjoncteurs 30 amp	Cortacircuitos 30 amp	1
23	0062462	Screw #6-20 x .38 Type B	Vis	Tornillo	4
24	0064212	Shield, heat	Écran de chaleur	Pantalla para el calor	1
25	Note C	Fuel tank assembly	Ensemble complet du réservoir	Conjunto tanque	1
25A	0056231	Fuel Cap	Capuchon	Tapa de combustible	1
25B	0061756	Fuel shut off with filter	Robinet de carburant	Válvula combustible con filtro	1
25C	0064306	Fuel connector	Connecteur à carburant	Conector combustible	1
25D	0062673	Fuel Bushing	Bague d'essence	Buje de combustible	1
26	0055982.01	Cord Keeper™	Cord Keeper™	Cord Keeper™	2
27	0058618	Screw #10 x 1	Vis	Tornillo	4
28	0064308	Handle	Poignée	Manija	2
29	Note B	Bolt, 5/16-18 x 2 1/4	Boulon	Perno	2
30	Note B	Washer, flat 3/8	Rondelle plates 3/8	Arandela, plana 3/8	2
31	0057704	Wheel	Roue	Rueda	2
32	0055894	Rubber Foot	Pied	Pie	2
33	0062174	Lanyard	Lanyard	Acollador	2
34	0062266	Shield, heat	Écran de chaleur	Pantalla para el calor	1
35	Note B	Bolt, 3/8-16 x 4.25	Boulon	Perno	2
36	0057578	Nut, nyloc 3/8-16	Écrous nyloc 3/8-16	Tuerca, nyloc 3/8-16	2
37	0062502	Pin, release	Épingle de relâchement	Alfileres de la liberación	2
38	0058955	Cap, plastic	Capuchon	Tapa	2
39	Note B	Washer, flat 1/4	Rondelle plates 1/4	Arandela, plana 1/4	7
40	0056342	Bracket, stator	Sectionneur stator	Conjunto de soporte	1
41	0049279	Bolt, whz 5/16-18 x 1/2	Boulon	Perno	5
42	0000901.01	Bolt, whz 5/16-24 x 5/8	Boulon	Perno	2
43	0061393	Nut whz 8mm	Écrous	Tuerca	2
44	0063673	Switch, Rocker	Interrupteur	Interruptor	1
45	0062433	Wheel spacer	Bague d'espacement	Espaciador de la rueda	2
46	0062495	Grip, handle	Poignée	Empuñadura	2
47	Note B	Bolt, 5/16-18 x 1	Boulon	Perno	2
48	Note B	Bolt, 1/4-20 x 1 1/2	Boulon	Perno	3
49	0063546	Bracket, foot	Support de pied	Soporte del pie	1
50	0052931	J clamp	Collier	Pinza vinílica	1
51	Note B	Bolt, 1/4-20 x 1 1/4	Boulon	Perno	1
52	0063164	Spacer, handle bracket	Entretoise	Espaciador	2
53	0057254	Nut, hex flg 5/16-18	Écrous 5/16-18	Tuerca 5/16-18	5
54	0049352	Washer, flat 5/16 W	Rondelle plates 5/16 large	Arandela, plana 5/16 lejas	4
55	0064221	Boot, black	Botte, noir	Bota, negro	1
56	0063574	Battery 12V 18AH	Batterie	Batería	1
57	0064220	Boot, red	Botte, rouge	Bota, rojo	1
58	0064222	Bracket, battery hold-down	Support, Botte	Soporte, batería	1
59	0047864	Screw #10-32 x .50	Vis	Tornillo	2
60	0047706	Clamp, nylon 1/2	Collier	Abrazadera	1
61	0057183	Grommet	Oeillet	Arandela de cabo	1
62	0063672	Start button	Bouton de début	Botón de comienzo	1
63	0051930	Nut hex #10-32 Keps	Écrous #10-32	Tuerca #10-32	2
64	0064379	Assembly, diode	Ensemble, diode	Conjunto, diodos	1



**Note A:** Powermate Corporation will not provide engines as replacement parts. Engines are covered through the engine manufacturer's warranty. Consult the accompanying engine manual or contact our service department for assistance.

**Note B:** These are standard parts available at your local hardware store.

**Note C:** Contact your nearest Coleman® Powermate® Service Center for replacement fuel tanks.



**WARNING:** To avoid possible personal injury or equipment damage, a registered electrician or an authorized service representative should perform installation and all service. Under no circumstances should an unqualified person attempt to wire into a utility circuit.

**Electrical:** For models approved for the City of Los Angeles, the ampacity of the phase conductors from the generator terminals to the first over current device shall not be less than 115 percent of the nameplate rating of the generator.

**Remarque A:** Powermate Corporation ne fournit pas de moteurs dans ses pièces détachées. Les moteurs sont couverts par la garantie du fabricant de moteurs. Consulter le manuel du moteur inclus ou contacter notre département de service après-vente pour toute assistance.

**Remarque B:** Ces pièces sont des pièces standard disponibles en quincaillerie.

**Remarque C:** Pour commander un réservoir de rechange, contacter Centre de service Coleman® Powermate® le plus proche.



**AVERTISSEMENT:** Pour éviter toute blessure personnelle ou dommage à l'équipement, l'installation et tout entretien devraient être effectués par un électricien qualifié ou un préposé au service autorisé. En aucun cas, une personne non-qualifiée ne devrait essayer de faire le raccord au circuit principal.

**Électricité:** Pour les modèles approuvés pour la ville de Los Angeles: La charge limite en ampères des fils de phase allant des bornes du groupe électrogène au premier appareil en surcharge ne doit pas être inférieure à 115% de la puissance nominale indiquée sur la plaque des caractéristiques du groupe électrogène.

**Nota A:** Powermate Corporation no proporcionará los motores como repuestos. Los motores están cubiertos por medio de la garantía del fabricante del motor. Consulte el manual adjunto del motor o comuníquese con nuestro departamento de servicio para recibir ayuda al respecto.

**Nota B:** Estas son piezas estándar disponibles en su ferretería local.

**Nota C:** Para hacer pedidos de tanques, localice el Centro de Servicio de Coleman® Powermate® más cercano.



**ADVERTENCIA:** Para evitar posibles lesiones físicas o daños materiales, es necesario que la instalación y todo el servicio sea realizado por un electricista matriculado o representante de servicio autorizado. Bajo ninguna circunstancia debe permitirse que una persona que no está capacitada trate de manipular cables dentro del circuito de servicio eléctrico.

**Eléctricos:** El amperaje de los conductores de fase desde los terminales del generador al primer dispositivo de sobrecorriente no podrá ser menor que 115 por ciento del valor nominal que aparece en la placa de identificación del generador en los modelos aprobados para la ciudad de Los Angeles.




© 2006 Powermate Corporation. All rights reserved.

Coleman® and  are registered trademarks of The Coleman Company, Inc. used under license.


Powermate® is a registered trademark of Powermate Corporation.

© 2006 Powermate Corporation. Tous droits réservés.

Coleman® et  sont des marques déposées de The Coleman Company, Inc. utilisées sous licence.

Powermate® est une marque déposée de Powermate Corporation.

© 2006 Powermate Corporation. Reservados todos los derechos.

Coleman® y  son marcas comerciales registradas de The Coleman Company, Inc. utilizadas bajo licencia.

Powermate® es una marca comercial registrada de Powermate Corporation.

## Free Manuals Download Website

<http://myh66.com>

<http://usermanuals.us>

<http://www.somanuals.com>

<http://www.4manuals.cc>

<http://www.manual-lib.com>

<http://www.404manual.com>

<http://www.luxmanual.com>

<http://aubethermostatmanual.com>

Golf course search by state

<http://golfingnear.com>

Email search by domain

<http://emailbydomain.com>

Auto manuals search

<http://auto.somanuals.com>

TV manuals search

<http://tv.somanuals.com>