

LIFE... UNINTERRUPTED™



PowerStation
AUTOMATIC POWER SYSTEM

P320100 / P320110



Models: P320100 P320110		Output Standby Rating*			Full Load Current	Motor Starting	Alternator Insulation	MLCB Rating
Voltage	Phase	Hertz	kW	kVA	Amps	SkVA ⁽¹⁾	Class	Amps
120/240	1	60	32LP	32	266.6/133.3	50	H	150
			30NG					

*NAMEPLATE RATING FOR CONTINUOUS STANDBY OPERATION FOR THE DURATION OF THE OUTAGE. DERATE 4% PER 1000 FEET ABOVE 500 FEET. (1) RATED @ 30% VOLTAGE DIP.



STANDARD FEATURES

GM Vortec 3000 Industrial Engine

- Ultra quiet and dependable automotive style inline 4 cylinder operating at 1800 rpm
- Specially designed for use on LPG/natural gas
- Fuel efficient and durable design
- Electronic governing provides 0.5% frequency control

4-Pole Alternator

- 2/3 pitch winding for reduced harmonics (<5%)
- Tropicalized windings for corrosion resistance

Sound Attenuated Weather Enclosure

- 16 gauge Galvaneel™ (galvanized) steel or 12 gauge aluminum with sound insulating material installed
- Powder coated almond color finish
- Modular design allows access from all sides
- Critical grade muffler integral to unit

Fuel System

- Operates on liquefied petroleum gas or natural gas
- Field convertible from natural gas to liquid propane
- Integrated governor-throttle body assembly
- Dual 12V DC positive lock-off valves for added safety

Cooling System

- High ambient temperature rated
- Factory filled with environmentally safe propylene glycol
- High temperature shutdown protection

Main Line Circuit Breaker

- UL 489 listed breaker is included as standard
- Conveniently mounted behind service door

Digital Remote Start/Stop Controller

- Automatic remote start (2-wire)
- Overspeed protection
- Overcrank protection
- Battery condition monitoring
- Underspeed protection
- On-off-auto selector switch
- Engine oil pressure protection
- Hour meter

Warranty

- 3 year / 1500 hour limited warranty (comprehensive)
- 5 year / 1500 hour extended limited warranty (engine/alternator)

Accessories

- Oil Pan Heater
- Maintenance Kit



SEE REVERSE SIDE FOR TECHNICAL SPECIFICATIONS
ALL SPECIFICATIONS SUBJECT TO CHANGE WITHOUT NOTICE

P320100 / P320110

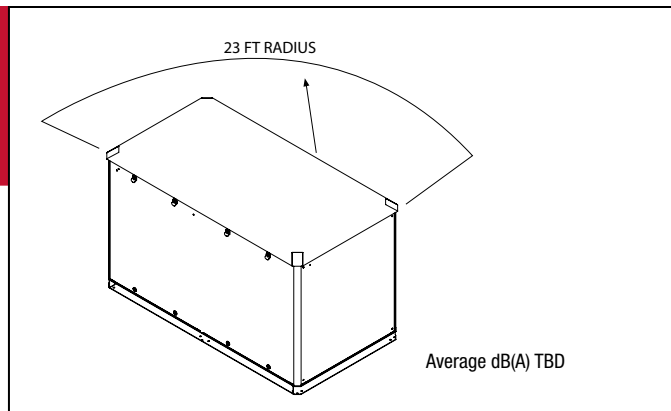
ENGINE DATA

General	
Manufacturer	General Motors
Model	6RL
Type	4-cycle, in-line configuration
Horsepower	64 hp @1800 rpm (LP)
Cylinder Block Material	Cast iron
Cylinders	4
Aspiration	Natural
Air Cleaner	Heavy duty replaceable dry element
Displacement	3.0 Liters (181 cid)
Compression Ratio	10.5:1
Bore	4.00 in (101.60 mm)
Stroke	3.6 in (91.44 mm)
RPM	1800
Engine Governing	+/- 0.5% - electronic
Fuel System	
Fuel System	Woodward fuel mixer, secondary regulator, 12V DC positive locking shut-off solenoid
Fuel Type	Liquefied petroleum gas (vapor) or natural gas
Delivery Method	Carbureted induction
Lubrication System	
Lube Oil System	Centrifugal pump, spin-on-full flow filter
Lube Oil Capacity	4.5 quarts
Pan Heater	Optional
Cooling System	
Cooling System Capacity	2.8 gallons
Coolant Flow Rate	18 GPM
Electrical System	
Starting Voltage	12V negative ground
Battery Size Required	BCI group 34, battery rack and 2/0 cables inc
Cranking Current	750cca @ 0°F
Battery Charging Alternator	90 amps
Battery Charger (120V AC)	Bulk – 6A, 12vdc Absorption – 5.5A, taper to 1.5A between 13-14V DC Float – 0.1 To 0.3A, 13.3vdc K 0.3vdc

FUEL DATA

Fuel Type	Liquefied petroleum gas vapor or natural gas	
Fuel Supply Inlet	3/4" NPT	
Fuel Supply Pressure	6-11 (in/H2O)	
Fuel Consumption		
Load	LP Vapor (Gallons/Hour)	Natural Gas (Cubic Feet/Hour)
50%	2.06	180

SOUND DATA

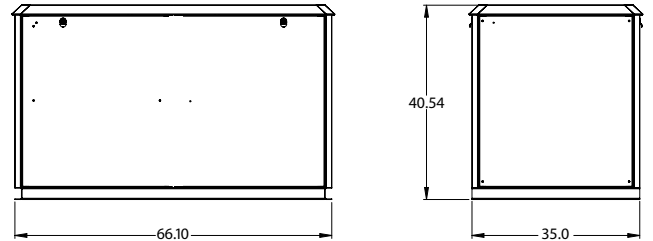


ENGINE GENERATOR APPLICATION/INSTALL DATA

Radiator Airflow	4500 CFM
Alternator Airflow	250 CFM
Combustion Airflow	150 CFM
Total Airflow	4900 CFM
Heat Rejected To Coolant	86000 BTU/HR
Maximum Exhaust Flow	290 CFM
Maximum Exhaust Backpressure	3.0 in Hg
Exhaust Temperature	1200°F
Maximum Clean Inlet Air Restriction	10 in H2O
Maximum Dirty Inlet Air Restriction	20 in H2O

Weight	1300 lbs. (P320100) 1200 lbs. (P320110)
--------	--

Dimensions



All specifications subject to change without notice



©2007 POWERMATE CORPORATION. ALL RIGHTS RESERVED.
POWERSTATION® IS A REGISTERED TRADEMARK OF POWERMATE CORPORATION.
101-3069-0308



Free Manuals Download Website

<http://myh66.com>

<http://usermanuals.us>

<http://www.somanuals.com>

<http://www.4manuals.cc>

<http://www.manual-lib.com>

<http://www.404manual.com>

<http://www.luxmanual.com>

<http://aubethermostatmanual.com>

Golf course search by state

<http://golfingnear.com>

Email search by domain

<http://emailbydomain.com>

Auto manuals search

<http://auto.somanuals.com>

TV manuals search

<http://tv.somanuals.com>