



Operator's Manual Rear Tine Rotary Tiller

MODEL No. P-RTT-196MD-[E]
P-RTT-196MD

Look inside for:

	Page
Safety Definitions	1
Important Safety Information	2-4
Product Specifications	5
Parts & Features	5
Safety Decals	6-7
Assembly	7-9
Engine Preparation	10
Operation	11-15
Maintenance	16-19
Technical Service	19
Troubleshooting	20
Warranty	21-24
Español	26-50



IMPORTANT:

Thank you for purchasing this Powermate® Tiller.

This manual provides complete instructions for safely operating and maintaining your Tiller. Read and save these instructions. Refer to this manual each time before using your Tiller.

Record the following for future reference:

Mfg. Date Code: _____

Date of Purchase: *Attach a copy of your sales receipt.*

Consumer Toll Free Number: 1-800-737-2112

Refer to the website for electronic manual and parts book.
www.gardnerinc.com

WARNING

This product contains one or more chemicals known to the State of California to cause cancer and birth defects or other reproductive harm. Wash hands after handling.



If you have a question or problem...

CALL TOLL FREE: 1-800-737-2112




KEEP THIS MANUAL FOR FUTURE REFERENCE

Safety Definitions

• Save these instructions











Safety Alert Symbols

The following symbols are used on the product and in this manual to alert the operator of potential safety hazards. Read them carefully, and understand their meaning.






 DANGER	Indicates an imminently hazardous situation which, if not avoided, will result in death or serious injury.
 WARNING	Indicates a potentially hazardous situation which, if not avoided, could result in death or serious injury.
 CAUTION	Indicates a potentially hazardous situation which, if not avoided, may result in minor/moderate injury or equipment/property damage.

The following symbols can be found on your tiller. Carefully read and understand their meaning.

Safety Warning Symbols

	Indicates WARNING, DANGER, or CAUTION.		Wear eye protection complying with ANSI Z87.1 and hearing protection.
	Read operator's manual before operating this machine. Failure to follow directions could result in serious injury.		Disconnect spark plug wire when not in use or before servicing, cleaning, or performing maintenance on the unit.
	Thrown objects. Remove all rocks, stones, and foreign objects which could be thrown by machine		Engine exhaust contains carbon monoxide, an odorless and deadly gas. NEVER run unit indoors or in a poorly ventilated area.
	Do not use if children or bystanders are present.		Do NOT touch hot muffler or cylinder. These parts are extremely hot from operation and may remain hot for a short time after operation.
	Rotating tines can cause serious injury. Keep hands, feet, and clothing away.		To reduce risk of fire, clean spilled gas and oil and keep unit free from debris. Gasoline is extremely flammable. Allow machine to cool before refueling.

Control and Operating Symbols

	Oil Fill Location Do Not Overfill		Fuel ON/OFF Valve Move Fuel Valve lever to the right to operate the tiller.
	Clutch Lever Depressing the upper lever engages the tines and drive wheels for the tilling operation. Depressing the lower engages the tines and drive wheels for reversing the tiller.		Choke Lever Move Choke Lever to the left for cold engine starting. Move Choke Lever to the right once engine is started or for warm engine starting.
	Throttle Control Move throttle lever to the left to increase engine speed. Move throttle lever to the right to decrease engine speed.		

Important Safety Information

• Save all instructions

RESPONSIBILITY OF OPERATOR

1. Carefully read and follow these safety instructions. Failure to do so can result in serious injury.
2. Know your product. Read and understand this manual before use. Compare the illustrations to unit. Learn location and function of all controls. Thoroughly understanding the unit before use will result in the best performance and safety.
3. Follow all instructions when assembling the unit. If the unit was purchased in assembled condition, the operator must check the unit carefully to make sure it was assembled according the instructions in the manual before use.
4. Regularly inspect the tiller. Make sure parts are not bent, damaged, or loose.
5. Use this equipment for its intended purpose only.
6. Operate the unit only with guards, shields, and other safety items in place and working correctly.
7. Service the unit only with authorized or approved replacement parts.
8. Complete all unit maintenance and adjustments according to the instruction in this manual.

WARNING

Look for this symbol to point out important safety precautions. It means: “Attention! Become Alert! Your Safety Is Involved.”

WARNING

Engine Exhaust, some of its constituents, and certain vehicle components contain or emit chemicals known to the State of California to cause cancer and birth defects or other reproductive harm.

WARNING

To prevent accidental starting when setting up, transporting, adjusting or making repairs, always disconnect spark plug wire and put wire where it cannot contact the spark plug.

PREPARATION SAFETY

WARNING

- Read, understand, and follow all instructions on the machine and in this manual. Be thoroughly familiar with the controls and the proper use of the tiller before starting. Know how to stop the engine quickly.
- Familiarize yourself with all the safety and operating decals on this equipment.

WARNING

- Thoroughly inspect the area where the tiller is to be used and remove all foreign objects. Your equipment can propel small objects at high speed causing personal injury or property damage. Stay away from breakable objects, such as house windows, auto glass, greenhouses, etc.
- Check that all nuts and bolts are tight and equipment is in good condition before each use.

WARNING

- Always check that the flameout wire is connected before starting engine.

OPERATION SAFETY

- Never allow children or young teenagers to operate the tiller.

WARNING

- Keep area of operation clear of all bystanders, particularly small children and pets.
- Only allow responsible individuals, who are familiar with the instructions, to operate the tiller.

WARNING

- Do not operate the tiller while under the influence of alcohol, drugs, or other medication which can cause drowsiness or affect your ability to operate this machine safely.
- Do not use this machine if you are mentally or physically unable to operate the machine safely.
- Always wear ANSI compliant safety goggles or safety glasses with side shields when operating tiller to protect your eyes from foreign objects, which can be thrown from the unit.

Important Safety Information (Continued)

• Save all instructions

OPERATION SAFETY (Continued)

- Wear appropriate clothing such as a long sleeved shirt or jacket. Also wear long trousers or slacks. Do NOT wear shorts. Do NOT wear loose clothing, which could get caught in this equipment.
- Always wear work gloves and sturdy footwear such as leather work shoes or short boots. These will protect ankles and shins from small sticks, splinters, and other flying debris, and improve traction.
- It is advisable to wear protective headgear to protect against being struck by small flying particles, or being struck by low hanging branches, twigs, or other objects, which may be unnoticed by the operator.

⚠ WARNING

- Do not put hands or feet near or under rotating parts.
- Exercise extreme caution when operating on or crossing gravel drives, walks, or roads. Stay alert for hidden hazards or traffic.

⚠ WARNING

- Exercise caution to avoid slipping or falling. Always be sure of your footing; keep a firm hold on the handle and walk; never run. Never operate the tiller at high transport speeds on slippery surfaces.
- Never operate the tiller without good visibility or light.

⚠ DANGER

- Do not run the engine indoors or inside a closed area. The exhaust fumes are dangerous, containing CARBON MONOXIDE, an ODORLESS AND DEADLY GAS.
- Never leave the tiller unattended when the engine is running. Stop the engine and make sure all moving parts have stopped. Remove the wire from the spark plug.
- Watch for holes, ruts, bumps, or other rough ground. Tall grass can hide obstacles.
- Always look behind and down and use caution when using reverse or pulling the tiller towards you.
- Never attempt to start the tiller unless both wheels are in the locked position. This acts as a brake for the tiller. Always start the tiller on the level surface.

⚠ WARNING

- Disengage clutch lever and stop engine before leaving the tiller in operating position. Wait until the tines come to a complete stop before removing debris or making any adjustments to the tiller.

⚠ CAUTION

- Do not attempt to till hard soil, till too deep or till at too fast a rate that can overload the tiller.
- If the tiller should start to vibrate abnormally, stop the engine, disconnect the spark plug wire and prevent it from touching the spark plug. Check immediately for the cause. Vibration is generally a warning of trouble.

FUEL SAFETY

⚠ WARNING

- Gasoline is extremely flammable, and gasoline vapors can explode if ignited. Handle with care.
- Use an approved container.
- Check fuel supply before each use, allowing space for expansion as the heat of the engine and/or sun can cause fuel to expand.
- Fill fuel tank outdoors with extreme care. Never fill fuel tank indoors.
- Never remove gas cap or add fuel with the engine running. Allow engine to cool before refueling.

⚠ WARNING

- Do not smoke while refueling.
- After refueling, replace fuel tank cap securely and wipe up spilled fuel.
- Never store fuel or tiller with fuel in the tank inside a building where fumes may reach an open flame.
- Never fill gasoline containers or the tiller fuel tank inside of a vehicle or in a truck bed. Accidental electrical static discharge can ignite fuel vapors which could result in serious injury or death.

Important Safety Information (Continued)

- Save all instructions

STORAGE SAFETY

- Always refer to the operator's manual instructions for important details if the tiller is to be stored for an extended period.
- Never store the tiller with fuel in the fuel tank inside a building where ignition sources are present such as water heaters, space heaters, clothes dryers, etc.
- To reduce fire hazard, keep tiller free of grass, leaves, or other debris build-up.
- Allow the engine to cool before storing in any enclosure.

REPAIR, MAINTENANCE, AND ADJUSTMENT SAFETY

- After striking a foreign object, stop the engine. Remove the wire from the spark plug and keep the wire away from the plug to prevent accidental starting. Thoroughly inspect the tiller for any damage. If damaged, have the equipment repaired by a trained technician before restarting and operating.

WARNING

- Stop the engine before cleaning, repairing, or inspecting the unit. Make sure all moving parts have stopped. Let the engine cool, disconnect the spark plug wire and move it away from the spark plug.
- Never attempt to make any adjustments while the engine is running except when specifically recommended by the manufacturer.
- Keep the tiller in safe working condition. Check all fasteners at frequent intervals for proper tightness.
- When servicing or repairing the tiller, do not tip the machine over or up unless specifically instructed to do so in this manual. Service and repair procedures can be done with the tiller in an upright position. Some procedures will be easier if the machine is lifted on a raised platform or working surface.
- Use only original equipment or authorized replacement parts.

WARNING

- Never tamper with safety devices. Check their proper operation regularly.
- Do not change the engine governor setting or over-speed engine.
- Clean and replace safety and instruction decals as necessary.
- To guard against engine over-heating, always have engine debris filter mounted and clean.

CHILDREN SAFETY

WARNING

- Tragic accidents can occur if the operator is not alert to the presence of children. Children are often attracted to the tiller and the tilling activity.
- Keep children out of the tilling area and under the watchful care of a responsible adult.
- Never assume that children will remain where you last saw them.
- Be alert and turn tiller off if children enter the area.
- Before and while moving backwards, look behind and down for small children.
- Never allow children to operate the tiller.
- Use extra care when operating near blind corners, shrubs, trees, or other objects that may obstruct vision.

Product Specifications

• Save all instructions

Unit Weight	120 lb (79kg)	Spark Plug Gap	0.028-0.031 in (0.7-0.8 mm)
Tilling Width	18 in (457mm)	Engine Type	OHV 4-stroke
Tilling Depths	up to 6"	Engine Displacement	196cc
Tine Diameter	11 in (279mm)	Engine Speed (Full Throttle)	3600rpm
Gasoline Type	Regular Unleaded/88 Octane (min.)	Engine Speed (Idle)	2100rpm
Gasoline Capacity	3.5 qt. (3.3L)	Torque Rating	9.6 ft-lbs gross torque per SAE J1940
Engine Oil Type (API SG-SL)	10W-30 is recommended for all service temperatures. See page (8) for additional information.)	Bore Diam. x Stroke	2.7 x 2.13 in (68 x 54mm)
Engine Oil Capacity	20 oz	Intake Valve Clearance	0.004 - 0.006 in (0.10 - 0.15mm)
Transmission Oil Type	SAE 90W-140	Exhaust Valve Clearance	0.006 - 0.008 in (0.15 - 0.20mm)
Transmission Oil Capacity	20 oz (0.6L)	Angle of Ignition	25 degrees
Spark Plug	Torch F7RTC	Tire Size	13x5.00-6 Directional Tractor Tread
		Tire Pressure	20 psi min/30 psi max

Parts & Features

1. Tines
2. Tine Shield
3. Wheels
4. Wheel Lock Pins
5. Muffler
6. Air Filter
7. Recoil Starter Handle
8. Spark Plug / Spark Plug Wire
9. Depth Regulator
10. Throttle Control
11. Fuel ON/OFF Valve
12. Choke Control
13. On/Off Switch
14. Fuel Tank Cap
15. Oil Dipstick
16. Forward Lever
17. Reverse Lever
18. Tine Shield Side Guards
19. Front Handle

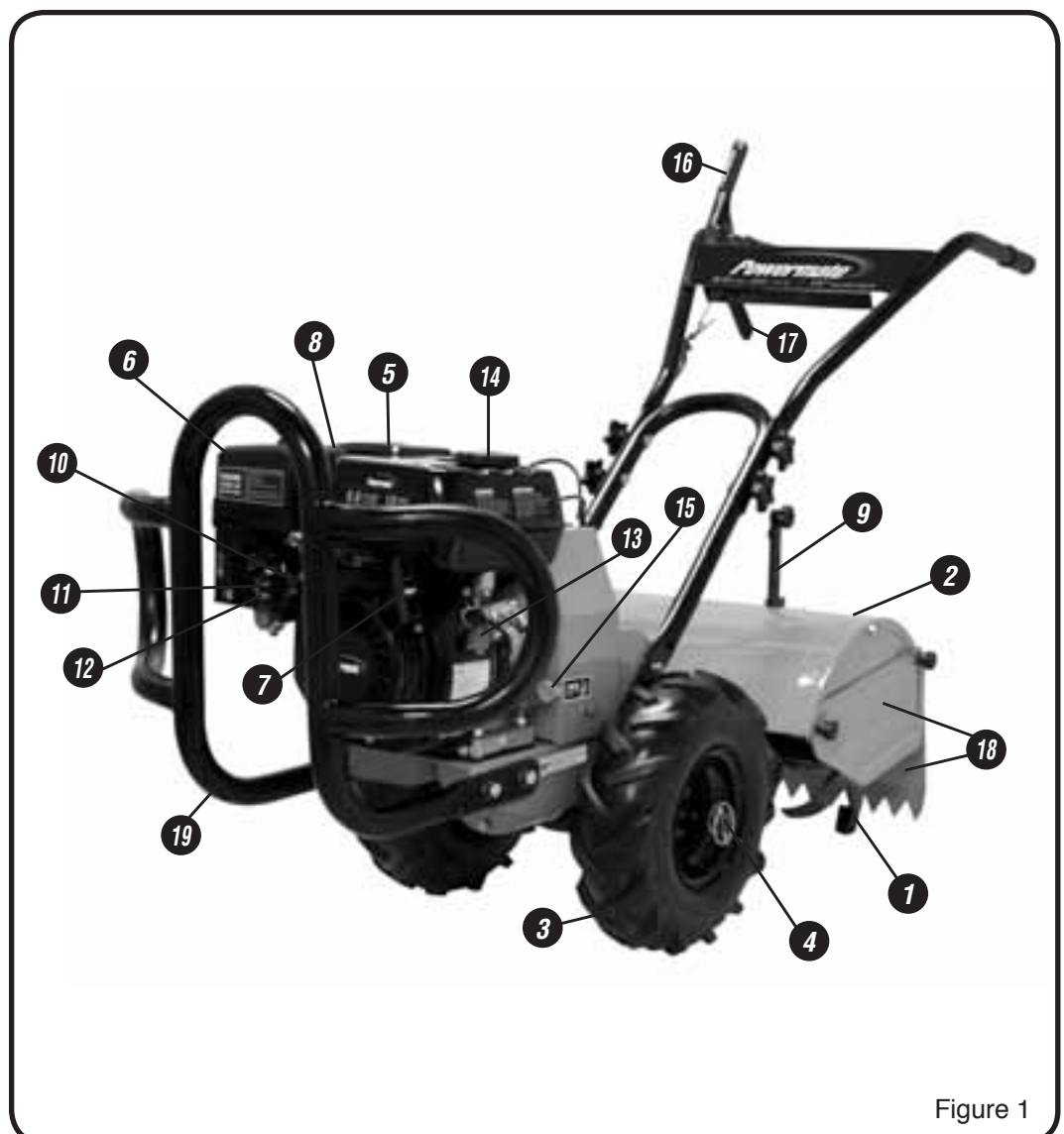


Figure 1

Safety Decals

• Save all instructions

This tiller has been designed and manufactured to provide you with the safety and reliability you would expect from an industry leader in outdoor power equipment manufacturing.

Although reading this manual and the safety instructions it contains will provide you with the necessary basic knowledge to operate this equipment safely and effectively, we have placed several safety labels on the tiller to remind you of this important information while you are operating the unit.

These important safety labels are illustrated below, and are shown here to help familiarize you with the location and content to the safety messages you will see as you perform normal tilling operations. Please review these labels now. If you have any questions regarding their meaning or how to

comply with these instructions, reread the complete safety instruction text on the preceding pages, or contact your local dealer.

Should any of the safety labels become unreadable because of being worn, faded, or otherwise damaged during the use of your tiller, please contact your local authorized dealer to order replacement label.

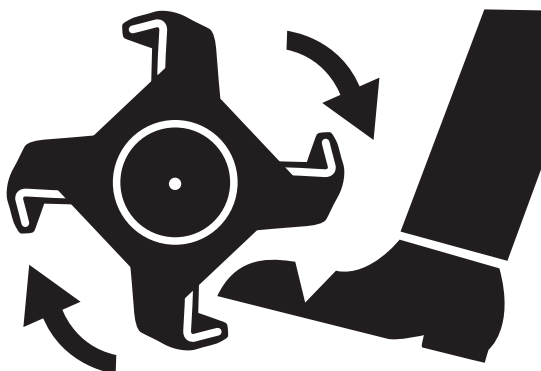
The safety labels are easily applied, and will act as a constant visual reminder to you and others who may use the equipment. Following the safety instructions is necessary for safe, effective operation of your tiller.

⚠ WARNING

TO AVOID SERIOUS INJURY

- Read operators manual(s).
- Know the location and function of all controls.
- Keep all shields and guards in place and working.
- Never allow children or uninstructed adults to operate machine.
- Shut off engine and disconnect the spark plug before manually unclogging tine or making repairs.
- Keep bystanders away from the machine.
- Keep away from rotating parts while engine is running.
- Use extreme caution when reversing or pulling the machine towards yourself.
- Gasoline is flammable and explosive.

⚠ DANGER



KEEP HANDS, FEET, AND CLOTHING AWAY FROM ROTATING TINES.

CONTACT WITH ROTATING TINES MAY RESULT IN SERIOUS INJURY.

FORWARD

REVERSE

⚠ WARNING

FOR OUTDOOR USE ONLY

RISK OF FIRE: DO NOT ADD FUEL WHEN PRODUCT IS OPERATING. ALLOW ENGINE TO COOL COMPLETELY BEFORE REFUELING.
RISK OF ASPHYXIATION. USE THIS PRODUCT ONLY IN A WELL VENTILATED AREA.

⚠ MISE EN GARDE

POUR USAGE EXTÉRIEUR SEULEMENT

RISQUE D'INCENDIE : N'AJOUTEZ PAS LE CARBURANT QUAND LE PRODUIT FONCTIONNE. NE PAS REMPLIR LE RÉSERVOIR DE CARBURANT DANS UN ESPACE CLOS NI PENDANT LE FONCTIONNEMENT DE L'APPAREIL.
RISQUE D'ASPHYXIE : UTILISER DANS UNE ZONE BIEN AÉRÉE.

⚠ ADVERTENCIA

SOLAMENTE PARA USO EN EXTERIORES

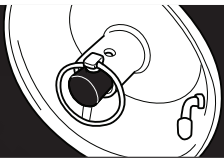
RIESGO DE FUEGO: NO AGREGUE PRODUCTO ESTÁ FUNCIONANDO. PERMITA QUE EL MOTOR SE ENFRIE COMPLETAMENTE DE LLENARLO DE COMBUSTIBLE DE NUEVO
RIESGO DE ASFIXIA. UTILICE EN ÁREAS CON BUENA VENTILACIÓN.

Safety Decals (Continued)

• Save all instructions

TO ENGAGE TRANSPORT MODE

1. Remove pin
2. Slide wheel *towards* frame
3. Insert pin through the hole on the wheel axle and rotate ring to secure



! WARNING

Do not start engine unless belt cover is attached. Keep hands, feet, and clothing away from moving belts and pulleys. Failure to comply could result in injury. See owner's manual for full safety instructions.

ENGINE START-UP INSTRUCTIONS

1. Insert the locking pin to secure the wheels in locked position.
2. Turn the Engine Switch to the "on" position.
3. Open the Fuel Valve.
4. Close the Choke Lever.
5. Adjust the Throttle Control to the high speed.
6. Pull the Starter Handle until engine starts.
7. After starting the engine, open the Choke Lever.

! WARNING

Refer to the Troubleshooting and Belt Tension Adjustment sections of the Operator's Manual if tines continue to rotate when the clutch lever is released or do not rotate when the clutch lever is depressed.

Assembly

• Save all instructions



If you need assistance or find any parts missing, CALL TOLL FREE: 1-800-737-2112.

Read and follow the assembly instructions. Do not discard any parts or materials until the unit is assembled. References to the right or left side of the tiller are from the viewpoint of the operator's position behind the tiller.

! WARNING

Do not operate tiller if it is damaged or not completely and correctly assembled.

! WARNING

Before doing any assembly or maintenance to the unit, remove the wire from the spark plug.

! WARNING

Always wear ANSI compliant safety glasses with side shields while assembling the tiller.

The following components will be found in the carton. Quantities shown in ().

1. (1) Tiller
2. (1) Handle Assembly
3. (1) Front Handle
4. (2) Tine Assembly
5. (1) Tine Guard Assembly
6. (1) Depth Regulator
7. (2) M10x50mm bolts and lock nuts for assembling stationary side shields
8. (1) Tiller Operator's Manual
9. (1) Engine Manual
10. (1) Bottle of SAE 30 Engine Oil
11. (1) Parts bag containing the following
 - a. (1) Spark plug wrench
 - b. (2) Combination wrenches
 - c. (4) M8x25mm bolts, flat washers, lock nuts for assembling front carry handle
 - d. (2) M10x25mm flange head bolts, lock washers and nuts for assembling lower handle
 - e. (4) M8x60mm saddle bolts and washers for assembling upper handle
 - f. (4) Handle knobs for assembling upper handle
 - g. (2) Wheel locking pins
 - h. (4) M6x25mm flange head bolts, flat washers and lock nuts
 - i. (2) M10x50mm bolts and lock nuts for assembling tines
 - j. (1) Detent pin
 - k. (4) M8 wing nuts for assembling rotating side shields.

Assembly (Continued)

• Save all instructions



If you need assistance or find any parts missing, CALL TOLL FREE: 1-800-737-2112.

A How to Remove Tiller from Carton

1. Remove all parts and packaging components.
2. Use a utility knife to cut all 4 vertical edges and lay the side panels flat around the tiller.
3. Remove any remaining packaging.
4. Remove the two bolts going thru the packing frame and wheel axle holes.
5. Remove the two bolts located underneath the engine that go thru the packing frame and thru the tiller base frame.
6. With a helper, remove the tiller from the packing frame.

B Assembly Instructions

The tiller comes fully assembled except for a few parts. The following instructions will help you complete the tiller assembly.

INSTALL THE WHEELS (See Figure 2)

1. Remove the locking pins from the wheel hubs.
2. The tiller wheels are directional. For best performance install the wheels with the tire thread facing the direction as shown.
3. Slide the wheel hub onto the wheel axle.
4. Align the wheel hub hole with the hole in the axle and insert the locking pin.
5. Rotate the locking pin ring to lock the pin in position.

INSTALL THE TINES

1. Check the orientation of the tine blade. The sharp cutting edge should be facing the direction of tine rotation for your tiller.
2. Install the tine assemblies on each tine axle. Secure with M10x50mm bolts and lock nuts. Do not over tighten the tine bolt. This could damage the tine assembly and cause difficulty in removing the tine assembly from the tine axle.

INSTALL THE TINE SHIELD

1. Remove the 4 bolts installed in the tine shield brackets above the transmission housing.
2. Place the tine shield on the bracket and secure with the bolts removed in 1. above.
3. Install the tine shield side guards with the hardware provided.

INSTALL THE DEPTH REGULATOR (See Figure 3)

1. Remove the bolt and knob from the depth regulator lever.
2. Insert the depth regulator into the bottom of the depth regulator bracket.
3. Insert the detent pin thru the bracket and lever.
4. Install the bolt and knob removed in 1. onto the depth regulator lever.

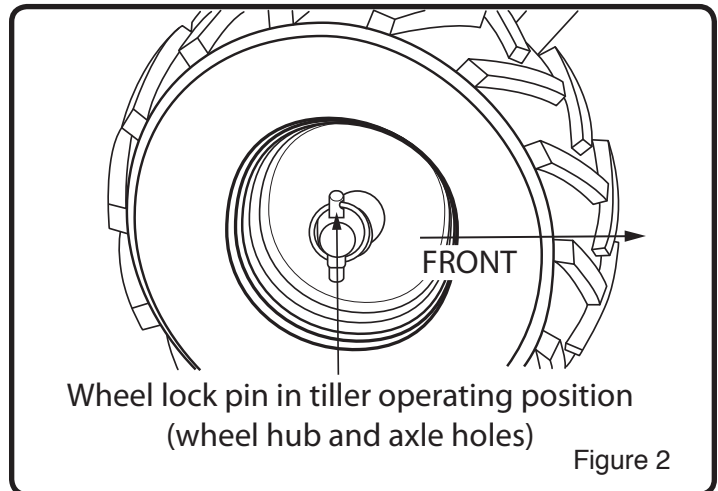


Figure 2

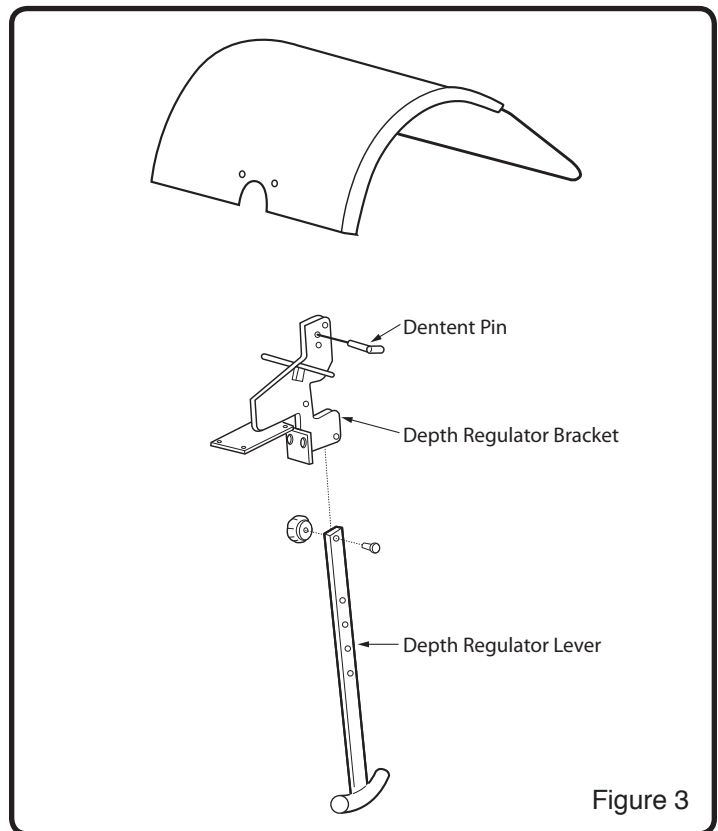


Figure 3

Assembly (Continued)

• Save all instructions



If you need assistance or find any parts missing, CALL TOLL FREE: 1-800-737-2112.

ATTACH LOWER HANDLE (See Figure 4)

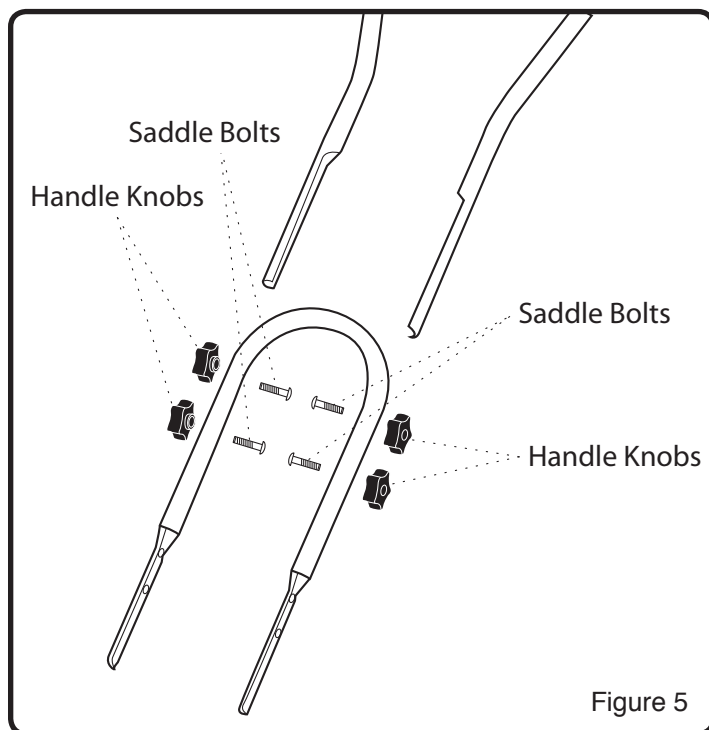
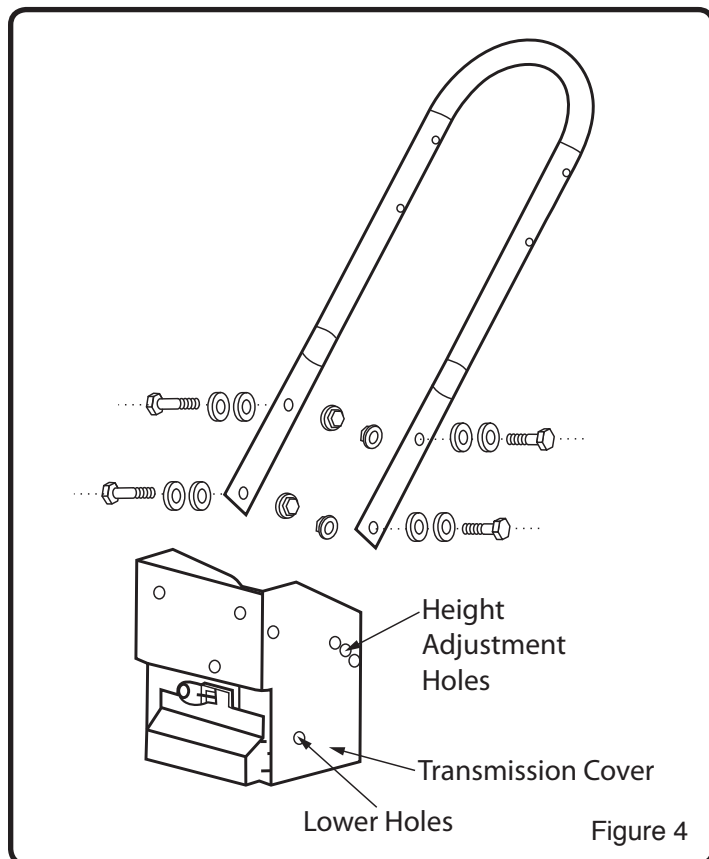
1. Loosen the lower handle bolts.
2. Align the lower handle holes to the middle height adjustment holes in the transmission cover and install the M10 x 25mm flange head bolts, lock washers and nuts. Tighten all four bolts at this time.

ATTACH UPPER HANDLE (See Figure 5)

1. Slide the upper handle down over the lower handle and align the holes.
2. Insert the saddle bolts into the holes as shown and secure with the handle knobs.
3. Tighten the handle knobs securely.

ATTACH FRONT HANDLE (See Figure 1)

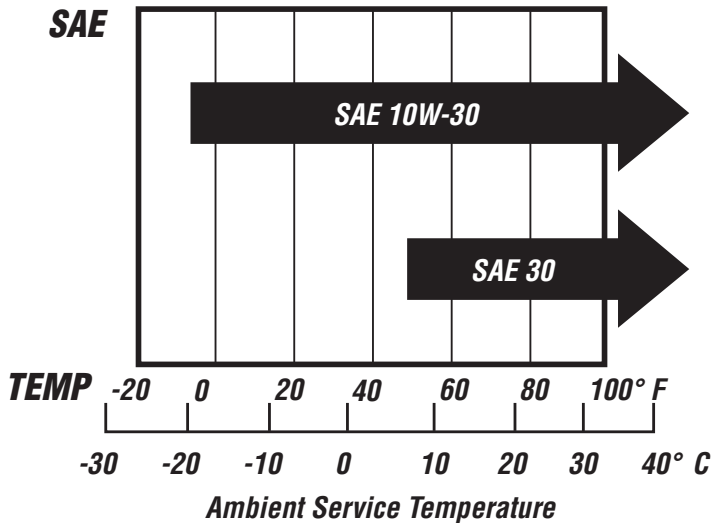
1. Slide the front handle onto the outside of the base frame and align the holes.
2. Install the four M8 x 25mm bolts, flat washers and locknuts and tighten securely.



Engine Preparation (Continued)

• Save all instructions

A Engine Oil



CAUTION

Frequently check oil level while filling. DO NOT OVERFILL. DO NOT UNDER FILL. Running engine at improper oil level will seriously damage engine.

6. Replace and tighten dipstick.
7. Clean up any spilled oil.

NOTE: THE TRANSMISSION CASE COMES FROM THE FACTORY WITH THE PROPER AMOUNT AND TYPE OF GEAR OIL. (See Figure 8)

CAUTION

Engine shipped without oil. Failure to add oil will result in serious engine damage.

A bottle of SAE 30 engine oil is included with your tiller. Refer to the chart on the right for alternative oil types to use at different temperatures. Always use a high quality detergent oil classified "For Service, SG, SH, SJ" or higher. Do not use special additives.

CAUTION

Always use recommended oil type. Using dirty oil or incorrect oil type such as 2-stroke engine oil will shorten engine life.

NOTE: Engine Oil Capacity is 600 ml. For first time fill, simply add the entire contents of the provided oil bottle to the crankcase.

HOW TO CHECK OIL LEVEL AND FILL TO PROPER LEVEL

WARNING

Before checking oil, make sure engine is off, and spark plug wire has been disconnected from spark plug.

1. Place the tiller on a level surface and make sure the depth regulator lever is set so the main frame of the tiller is level. (See Figure 6)
2. Remove the oil fill cap/dipstick and wipe clean with cloth. (See Figure 6)
3. Insert dipstick into fill spout but do NOT screw in. Remove dipstick and check oil level.
4. When oil level is full, the oil will be at upper limit on dip stick. If oil level is near or below the lower limit, oil must be added. (See Figure 7)
5. Add oil slowly until the oil level reaches the upper limit of the dipstick. Use a funnel or nozzle to reduce spillage.

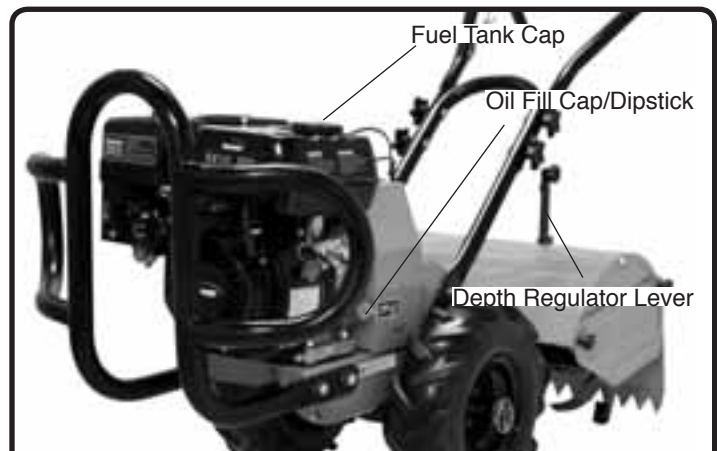


Figure 6

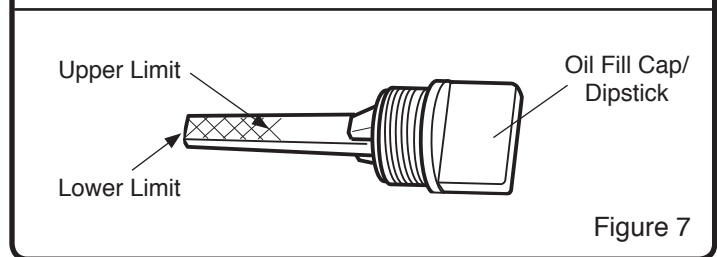
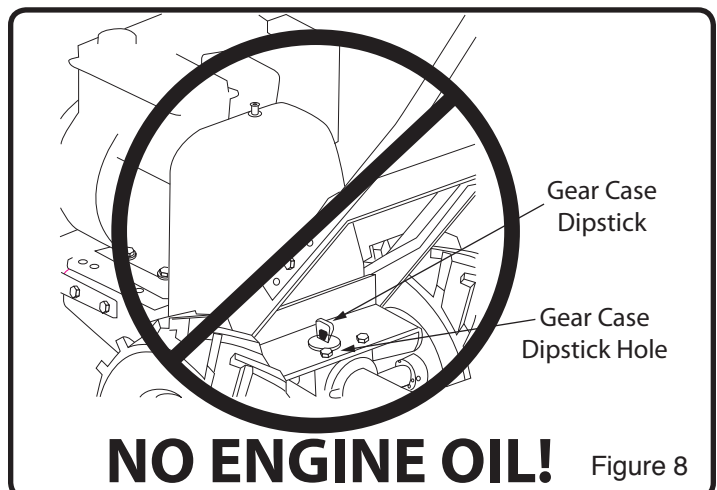


Figure 7



NO ENGINE OIL! Figure 8

Operation

• Save all instructions

A Pre-Start Inspection

1. Make sure all safety guards are in place and all nuts and bolts are secure.
2. Check oil level in engine crankcase. See your engine manual for procedure and specifications.
3. Inspect air cleaner for cleanliness. See your engine manual for procedure.
4. Check the fuel supply. Fill the fuel tank no closer than 1 inch from top of tank to provide space for expansion. See your engine manual for fuel recommendations.
5. Be sure spark plug wire is attached and spark plug is tightened securely.
6. Check position of wheels and wheel lockouts.
7. Check depth regulator lever position.
8. Examine underneath and around engine for signs of oil or fuel leaks.
9. Inspect fuel hoses for tightness and fuel seepage.
10. Look for signs of engine damage.
11. Remove excessive debris from muffler area and recoil starter.

IMPORTANT: ENGINE IS SHIPPED FROM FACTORY WITHOUT OIL. YOU MUST ADD ENGINE OIL BEFORE STARTING ENGINE.

CAUTION

PLEASE DO NOT START YOUR TILLER UNTIL YOU HAVE READ THE MANUAL THAT CAME WITH YOUR TILLER, AND THE SECTIONS IN THIS MANUAL TILLER CONTROLS, ADJUSTMENTS AND SAFETY. IF YOU HAVE READ THESE, FOLLOW THE STEPS BELOW TO START YOUR TILLER. ALWAYS PERFORM THIS PRE-START CHECKLIST BEFORE STARTING THE ENGINE.

WARNING

GASOLINE IS HIGHLY FLAMMABLE AND MUST BE HANDLED WITH CARE. NEVER FILL THE TANK WHEN THE ENGINE IS HOT OR RUNNING. ALWAYS MOVE OUTDOORS TO FILL TANK.

WHEELS MUST ALWAYS BE LOCKED IN THE TILLING POSITION WHEN ENGINE IS RUNNING. DO NOT OPERATE THE TILLER WITH THE WHEEL LOCKOUTS UNLOCKED. ALWAYS SET THE WHEELS IN TILLING POSITION BEFORE STARTING ENGINE.

ALWAYS PUT DEPTH REGULATOR LEVER IN THE TRANSPORT POSITION BEFORE STARTING ENGINE. TINES SHOULD CLEAR GROUND.

DANGER

ALWAYS KEEP HANDS AND FEET CLEAR OF ROTATING MACHINE PARTS.

B Start-Up

The controls required to start and run the tiller are located on the engine and are marked with the icon for choke, slow and fast for the throttle, and on/off fuel valve. A more detailed description of engine operation and all related precautions and procedures can be found in the engine manufacturer's manual that accompanies each tiller.

COLD STARTS

1. Turn the Engine Switch to the "on" position.
2. Open the Fuel Valve.
3. Move choke lever to left for full choke position.
4. Move throttle lever to "start" or "fast" position.
5. Pull starting rope out slowly one time and allow to return normally.
6. Pull starting rope out rapidly, and allow rope to return normally.
7. When engine starts, gradually move choke lever to "no choke" position and increase throttle speed.

RESTARTING A WARM ENGINE

Restarting an engine that is already warm from previous running does not normally require use of the choke.

1. Move throttle lever to "start" position or "fast" position.
2. Pull starting rope out rapidly until engine starts. Allow rope to return normally. Repeat until engine starts.
3. Adjust throttle speed to "fast" for best tiller performance.

Operation (Continued)

• Save all instructions

C Idle Speed

Use the "low" position on the throttle lever to reduce stress on the engine when tilling is not being performed. Lowering the engine speed to "idle" will help extend the life of the engine, as well as conserve fuel and reduce the noise level of the equipment.

D Operating Speed

For normal tilling, set the throttle lever to "fast".

E Shutting Down

To stop the engine at any time, turn engine ON/OFF switch to the off position. To stop wheels and tines at any time, release drive safety control levers to neutral position.

F Tilling

1. Adjust the depth regulator lever to desired tilling depth.

⚠ WARNING

NOTE: Raise depth regulator lever up one hole at a time, testing tiller operation after each raise. Raising depth regulator lever too high can result in loss of control of tiller!

2. Move the throttle control to fast.

3. Place the tiller in forward by pushing down on the drive safety control lever (**FORWARD**)--this will engage the wheels and tines.

NOTE: You can slow the tiller's forward advance at any time by putting slight downward pressure on the handlebars. You can stop the tiller by releasing the drive safety control levers to the neutral position.

⚠ CAUTION

ALWAYS PRESS THE FORWARD OR REVERSE DRIVE LEVERS DOWN COMPLETELY ONTO THE HANDLE BAR GRIPS. FAILURE TO DO SO MAY RESULT IN EXCESSIVE DRIVE BELT WEAR AND PRE-MATURE DRIVE BELT FAILURE.

⚠ WARNING

TEMPERATURE OF MUFFLER AND NEAR BY AREAS MAY EXCEED 150°F. AVOID THESE AREAS.

DO NOT MOVE CHOKE CONTROL TO CHOKE TO STOP ENGINE, BACKFIRE OR ENGINE DAMAGE MAY OCCUR.

TO STOP WHEELS AND TINES AT ANY TIME, RELEASE DRIVE SAFETY CONTROL LEVERS TO NEUTRAL POSITION.

ALWAYS RELEASE DRIVE SAFETY CONTROL LEVERS TO NEUTRAL POSITION AND STOP THE ENGINE BEFORE ADJUSTING THE DEPTH OF THE REGULATOR LEVER.

⚠ DANGER

ENGINE AND SURROUNDING PARTS BECOME EXTREMELY HOT DURING NORMAL USE AND WILL CAUSE SERIOUS BURN INJURIES IF TOUCHED BEFORE THE ENGINE HAS COOLED.

ALLOW ENGINE TO COOL COMPLETELY BEFORE TOUCHING THESE HOT SURFACES.

IMPORTANT: PRACTICE OPERATING THE CONTROLS AND TILLER WITH TINES OUT OF GROUND BEFORE BEGINNING TO TILL. IT IS IMPORTANT THAT YOU KNOW HOW TO USE THE TILLER PROPERLY, KEEP CONTROL AT ALL TIMES, STOP THE TINES AND WHEELS FROM TURNING, AND STOP THE ENGINE IF NECESSARY. IF YOU DO NOT KNOW HOW TO DO THESE THINGS, READ THE CONTROLS, ADJUSTMENTS AND SAFETY SECTIONS BEFORE PROCEEDING.

Operation (Continued)

• Save all instructions

G Drive Safety Control Levers

CAUTION

DO NOT OPERATE BOTH "FORWARD" AND "REVERSE" DRIVE SAFETY CONTROL LEVERS AT THE SAME TIME.

THIS INFORMATION IS PROVIDED HERE ONLY TO INTRODUCE THE CONTROLS. DO NOT START THE ENGINE AT THIS TIME. STARTING AND OPERATING INSTRUCTIONS ARE GIVEN ON PAGE 11. PLEASE READ THIS SECTION AND ALL OPERATING AND SAFETY INSTRUCTIONS BEFORE STARTING YOUR TILLER.

- AS A SAFETY PRECAUTION, THE DRIVE SAFETY CONTROL LEVERS WILL NOT LOCK IN THE FORWARD OR REVERSE POSITION.

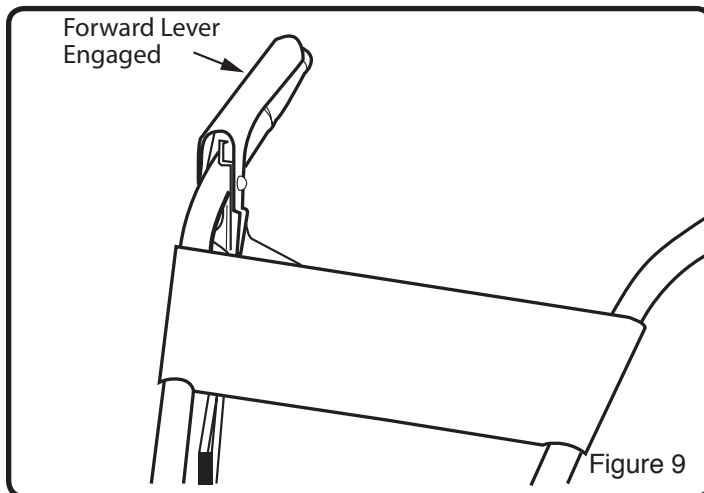
WARNING

DO NOT FIX THE FORWARD OR REVERSE DRIVE LEVERS IN DRIVE POSITION BY ANY OTHER MEANS THAN MANUALLY USING YOUR RIGHT HAND. DO NOT TIE OR OTHERWISE SECURE THE LEVERS IN DRIVE POSITION.

- TO STOP THE WHEELS AND TINES AT ANY TIME RELEASE THE DRIVE SAFETY CONTROL LEVERS OR RELEASE THE REVERSE HANDLE.

FORWARD LEVER (See Figure 9)

Engages wheels and tines into forward. Pushing down the drive safety control lever (**FORWARD**) toward the handlebar engages the wheels and tines. Releasing the lever stops the wheels and tines and brings the tiller to a complete stop.

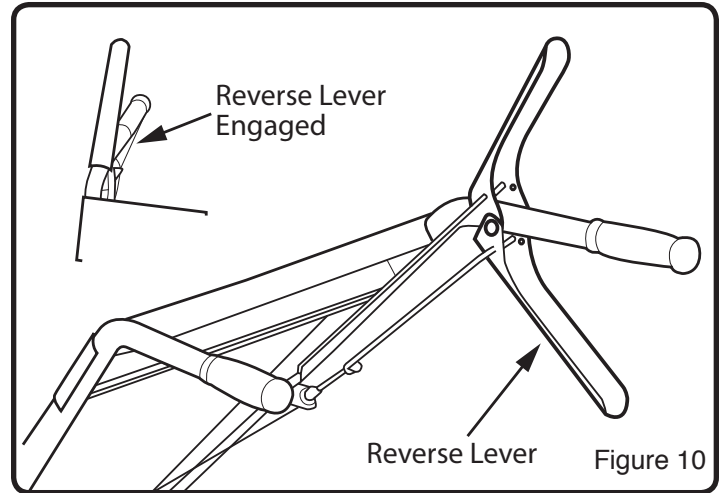


REVERSE LEVER (See Figure 10)

Engages wheels and tines into reverse.

Pulling the drive safety control lever (**REVERSE**) toward the handlebar reverses tiller.

Releasing the lever stops the wheels and tines.



Operation (Continued)

• Save all instructions

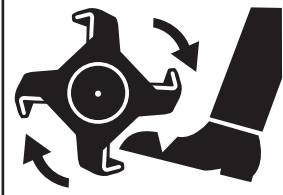
H Adjustments

⚠ WARNING

ENGINE SHOULD BE OFF BEFORE ADJUSTING ANY CONTROLS.

EXTREME CAUTION SHOULD BE USED WHEN OPERATING TILLER IN THE REVERSE DIRECTION.

⚠ DANGER



WHEEL LOCK PINS (See Figures 2 and 11)

Place wheels in tilling position.

1. Remove lock pin. Align hole in axle with hole in wheel hub.
2. Insert lock pin through holes, fold lock pin ring to secure pin to axle.
3. Firmly lock wheel and axle together before tilling.
4. Repeat for other wheel.

⚠ WARNING

Always have both wheel lock pins in or out. Do not operate tiller with only one wheel locked.

To place wheels in free-wheel position.

1. Remove lock pin. Slide wheel inward toward machine.
2. Insert pin in axle only, fold lock pin ring to secure pin to axle.
3. Wheel should turn freely on axle.

HANDLEBAR HEIGHT ADJUSTMENT (See Figure 4)

Adjust handlebar height.

The ideal height of the handlebar varies with operator height and the depth of tilling. To adjust handlebar height:

1. Unscrew nuts and remove top bolts on each side.
2. Loosen the lower bolts. Do not remove.
3. Align handlebar to desired holes on the lower handlebar mount.
4. Install bolts and nuts. Retighten all four bolts securely.

DEPTH REGULATOR LEVER (See Figure 3)

Tilling depth is controlled by the height of the depth regulator lever. To adjust tilling depth:

1. Remove detent pin.
2. Raise the depth regulator lever to position tines at chosen tilling depth.
3. Align hole in depth regulator lever with hole in depth regulator bracket and replace detent pin.

Depth Regulator Lever Down = Shallower tilling.

Place the detent pin in the top hole of the depth regulator lever for shallowest tilling.

Depth Regulator Lever Up = Deeper tilling.

Place the detent pin in the bottom hole of the depth regulator lever for deepest tilling.

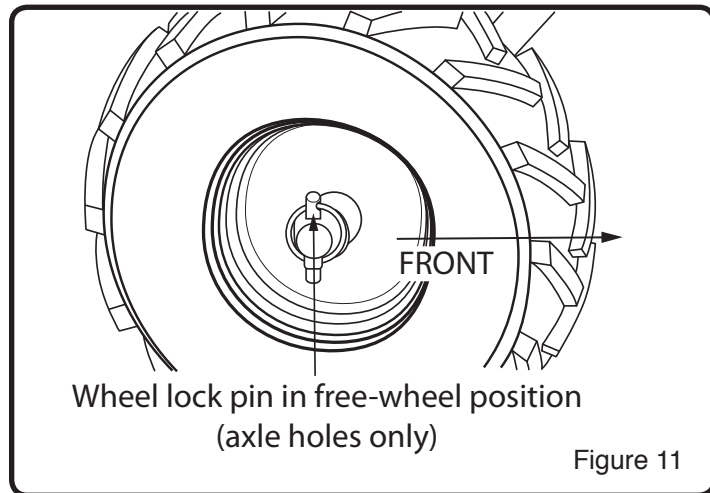


Figure 11

⚠ WARNING

DO NOT ADJUST TILLING DEPTH UNLESS DRIVE SAFETY CONTROL LEVERS ARE RELEASED TO NEUTRAL POSITION.

ALWAYS SET THE DEPTH REGULATOR LEVER IN THE TRANSPORT POSITION BEFORE STARTING ENGINE, THAT IS, PLACE THE DETENT PIN IN THE HIGHEST HOLE OF THE DEPTH REGULATOR LEVER.

Operation (Continued)

• Save all instructions

I Adjustments (Cont.)

BELT TENSION ADJUSTMENT (See Figure 12)

Proper belt tension is critical to good performance. After 1/2 hour of operation, all cables may have to be adjusted due to initial stretch. Thereafter, check tension after every 2 hours of operation.

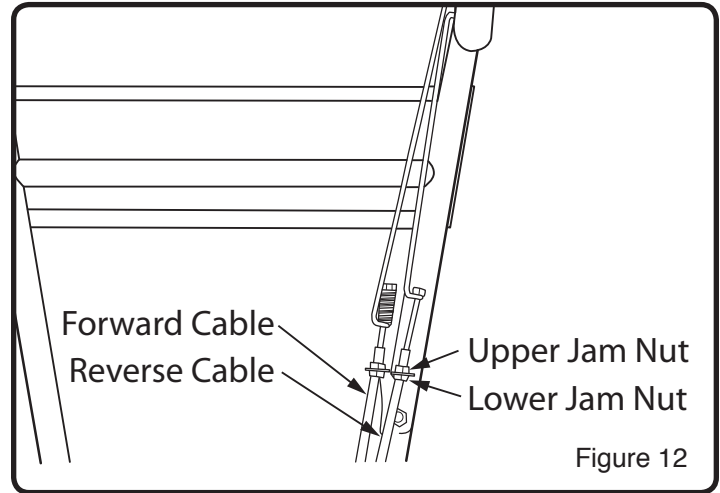
TO INCREASE BELT TENSION

1. Loosen upper jam nut. Turn nut up cable in 1/8" increments.
2. Tighten lower jam nut.
3. Check adjustment.

TO DECREASE BELT TENSION

1. Loosen lower jam nut. Turn nut down cable in 1/8" increments.
2. Tighten upper jam nut.
3. Check adjustment.

This procedure can be repeated until conduit adjustment bolts are fully adjusted. If no more adjustment can be made, belt may have to be replaced.



J Tilling Tips

The key to successful tilling is to begin with a shallow cut on the first pass, and then work an inch or two deeper on each successive pass.

- Tilling depth will vary with ground conditions.
- When beginning to till in unbroken ground or in extremely hard soil, set the detent pin in the highest hole of the depth regulator lever (follow instructions under Tilling section). This will allow for shallow tilling. With the drag stake in this position, make several light passes over the area to be tilled. Reset for deeper depths with successive passes.
- If tiller jumps or skids uncontrollably, lower the drag stake by placing the detent pin in a higher hole. This will allow for shallower tilling. Hold firmly to the handlebars to control sudden lurches.
- If weeds, tall grasses, vines, or other materials clog or jam the tines, reverse the tiller to unwind vegetation.

⚠ WARNING

Immediately release the drive control levers if the tines jam or you strike a foreign object. With drive control levers in neutral position, stop the engine. Disengage the spark plug wire. When tines have stopped, remove foreign objects and check for damage.

K Cultivating Tips

If you plan to use your tiller for cultivating:

- Plant rows on 20" - 22" centers for ease of turning.
- Set the depth regulator lever with the detent pin in one of the higher holes. This will allow for shallow cultivation necessary to turn over weeds, and break up and aerate the soil.

⚠ WARNING

EXTREME CAUTION MUST BE TAKEN IN SELECTING TILLING DEPTH. IF YOU ATTEMPT TO TILL TOO DEEPLY FOR SOIL CONDITIONS, THAT IS, WITH THE DEPTH REGULATOR LEVER IN TOO HIGH A POSITION, LOSS OF CONTROL COULD RESULT.

IF REMOVING MATERIAL FROM THE TINES BY HAND, STOP ENGINE AND REMOVE SPARK PLUG WIRE FIRST.

Maintenance

• Save all instructions

A Maintenance Schedule

⚠ WARNING

Before performing any maintenance, turn engine off and remove the wire from the spark plug to prevent accidental starting and serious injury.

IMPORTANT: The warranty on this tiller does not cover items that have been subjected to operator abuse or negligence. To receive full value from the warranty, the operator must maintain the tiller as instructed in this manual, and only use genuine replacement parts. The following table lists required periodic maintenance.

PERIODIC MAINTENANCE SCHEDULE TABLE

Service Records- Fill in dates as you complete regular service	Before Each Use	After Every 10 Hours of Use	After Every 25 Hours of Use	After Every 50 Hours of Use	After Every 100 Hour of Use	Before Each Season	Before Storage	See Note Below
Check Engine Oil Level, Fill to Proper Level	✓					✓		
Check Connection of BOTH Flameout Wire Connectors	✓					✓		
Clean Debris From Unit	✓					✓	✓	
Lubricate All Pivot Points		✓				✓	✓	
Check Fasteners for Tightness		✓				✓		1
Check Drive Belts Replace if Necessary		✓				✓		
Check Tines for Wear or Damage Replace if Necessary		✓				✓		
Check Fuel Line Replace if Necessary			✓			✓		
Lubricate Wheel Axles			✓			✓	✓	
Check Spark Plug Replace if Necessary			✓			✓		
Change Engine Oil				✓		✓	✓	2,3
Clean Air Filter Replace if Necessary			✓			✓		4
Replace Spark Plug					✓			
Clean Combustion Deposits from Cylinder, Piston, and Valves					✓			
Check Transmission Oil						✓		

⚠ CAUTION **IMPORTANT NOTES about Maintenance schedule**

1. Re-check tightness of all fasteners after first 2 hours of initial use
2. Change engine oil after first 5-8 hours of initial use
3. Change oil every 25 hours if operating under heavy load or in high temperatures
4. Clean air filter every 10 hours if operating under dusty conditions.

⚠ WARNING

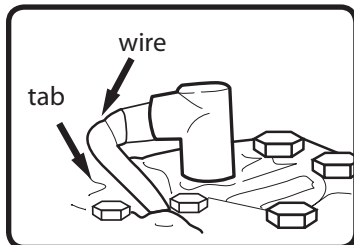
Use only GENUINE replacement parts. Other parts may damage the unit or result in injury.

Maintenance (Continued)

• Save all instructions

B Servicing the Tiller

The following information will help you make the necessary checks and perform the procedures required to follow the normal care recommendations made for your tiller unit. If you prefer, your local authorized dealer can make these checks and perform the required procedures for you.



⚠ WARNING

TO PREVENT ACCIDENTAL STARTING:

ENGINE MUST BE TURNED OFF AND COOL, AND SPARK PLUG WIRE MUST BE REMOVED AND SECURED FROM

SPARK PLUG BEFORE CHECKING AND ADJUSTING ENGINE OR EQUIPMENT.

CHANGE FORWARD/REVERSE BELTS

(See Figure 12 and 13)

1. Turn off engine. Engine must cool completely before proceeding.
2. Remove spark plug wire and secure away from spark plug.
3. Reduce the belt tension by loosening the forward and reverse cable lower jam nut.
4. Remove the upper and lower belt guards.
5. To remove the reverse drive belt:
 - a. Remove the reverse belt idler.
 - b. Slide the belt free of the reverse belt guides and engine pulley.
 - c. Pull belt down and away from the transmission pulley.
6. To remove the forward drive belt:
 - a. Remove the two forward belt guide studs and forward belt idler assembly.
 - b. Slide the belt free of the engine pulley.
 - c. Pull the belt down and away from the transmission pulley.
7. To install the forward drive belt:
 - a. Insert the belt from underneath the unit and up around the rearward portion on the engine pulley.
 - b. Place the lower loop of the belt around the rearward portion of the transmission pulley.
 - c. Replace the two forward belt guide studs and forward belt idler assembly.
8. To install the reverse drive belt;
 - a. Insert the belt from underneath the unit and up around the reverse belt idler.
 - b. Place the lower loop of the belt around the forward portion of the transmission pulley.
 - c. Replace the reverse belt idler into the reverse belt idler bracket. The belt should not go around the engine pulley. Be sure the belt is inside of the reverse belt guide studs.
9. Tighten the forward and reverse lower jam nut.
10. Check the belt tension. The belts should be loose with the drive levers disengaged.
11. Replace the upper and lower belt guards.
12. Re-attach the spark plug wire to the spark plug.

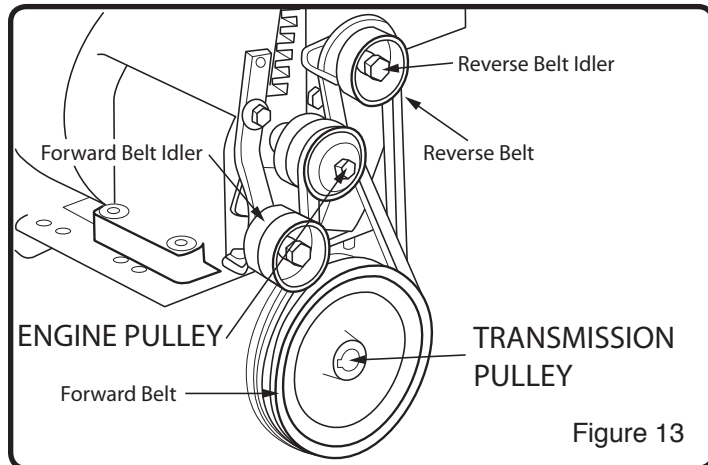


Figure 13

13. Follow Operating Instructions – start the engine and operate the forward drive lever to check for proper cable adjustment and belt tension. See the Belt Tension Adjustment section if cable adjustment is required.
14. Start the engine and operate the reverse drive lever to check for proper cable adjustment and belt tension. See the Belt Tension Adjustment section if cable adjustment is required.

⚠ WARNING

THE TINES OR WHEELS SHOULD NOT ROTATE WITH THE ENGINE RUNNING, THE DEPTH REGULATOR SET AT TRANSPORT HEIGHT (LOWEST HEIGHT) AND THE DRIVE LEVER NOT ENGAGED.

Maintenance (Continued)

• Save all instructions

C Engine Maintenance

ENGINE MAINTENANCE

Refer to the engine manual included in your parts packet for information on engine maintenance. Your engine manual provides detailed information and a maintenance schedule for performing the following tasks:

1. Check oil level before each use or after every 8 hours of operation.
2. Change oil after first 5-8 hours of operation. Change oil while engine is warm. Refill with new oil of recommended grade.
4. Check spark plug yearly or every 100 hours of operation.
5. Service air cleaner.
6. Keep engine and parts clean.
7. Check engine and equipment often for loose nuts and bolts, keep these items tightened.

CHECK OR FILL ENGINE CRANKCASE

Important: Engine is shipped from factory without oil. You must add engine oil before starting engine.

1. Add oil according to engine manual. **Do not overfill.** Use a clean, high quality detergent oil. **Do not mix oil with gasoline.** Oil level must be full. check the oil level by removing oil fill plug.
2. Always check oil level before starting engine. Refer to engine manual for capacity and type of oil to use.

CHECK TILLER TRANSMISSION OIL

Important: Tiller transmission is shipped from factory with the proper amount of oil. When replacing oil, the tiller transmission holds 18-22ounces. Do not overfill.

Check the oil level annually. To check the oil level:

1. Move tiller to level ground.
2. Remove oil level dipstick located between the handlebar mounts on the engine mount. If the oil level couldn't touch the dipstick, fill the oil to recommended level.
3. Replace oil level dipstick in the filler hole.
4. Note that the drive wheel transmission and rear tine transmission are one common reservoir. When you add to the front transmission, you must wait a short period of time for the oil to flow rearward and equalize in both front and rear. The dipstick will read correctly on level ground for both gear units.

CHECK TIRE PRESSURE

Recommended tire pressure is 30 PSI. If tires do not have equal pressure, tiller will pull to one side.

LUBRICATION

Proper lubrication of moving mechanical parts is critical for proper care and maintenance. Oil the moving parts shown at 10 hour intervals using a 30 weight oil.

CLEAN TINE AXLE SHAFT

1. Turn off engine. Engine must be cool.
2. Remove spark plug wire and secure from spark plug.
3. Tip the tiller forward. Block the tiller in position so that it rests on the engine mount and the tines are exposed.
4. Remove all vegetation, string, wire, and other material that may have accumulated on the axle between the inside set of tines and the seal cover on the transmission housing.
5. Tip the tiller back to a level position.
6. Replace spark plug wire.

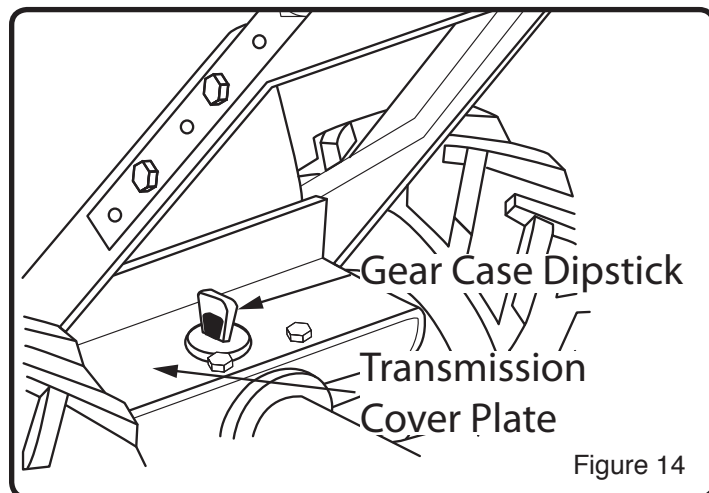


Figure 14

Maintenance *(Continued)*

• Save all instructions

D How to Prepare for Storage

⚠ WARNING

Never store the tiller indoors with fuel in the fuel tank. Never store in an enclosed, poorly ventilated area where fumes could reach an open flame, a spark or a pilot light as on a furnace, water heater or clothes dryer. Allow engine to cool before storing unit.

⚠ WARNING

Do not remove gasoline while inside a building, near a fire, or while you smoke. Gasoline fumes can cause an explosion or a fire.

NOTE: A yearly checkup or tune-up at an authorized service center will make sure that the tiller will provide maximum performance for the next season.

When the tiller is put in storage for thirty days or more, the following steps should be followed to make sure the tiller is in good condition the next season.

1. Let the engine run until it is out of gasoline.
2. Change the oil by following instructions under "How to Change the Oil."
3. Remove the spark plug from the cylinder. Pour one ounce of oil into the cylinder. Slowly pull the recoil-start grip so that the oil will protect the cylinder. Install a new spark plug in the cylinder. Pull starter handle slowly a few times to distribute oil. Pull recoil slowly until resistance is felt. This will close the cylinder valves.

⚠ WARNING

DO NOT attach spark plug wire to spark plug when storing unit.

4. Clean tiller. Remove all dirt, leaves, debris, grease, etc. from the tiller - including cylinder cooling fans, recoil starter cover holes, under fuel tank, and under muffler.
5. Check the tiller for worn or damaged parts. Have damaged parts replaced if necessary.
6. Tighten any loose hardware.
7. Apply lubrication as directed in Maintenance section.
8. Put the unit in a building that has good ventilation.
9. Cover the tiller with a breathing material.

Technical Service

You may have further questions about assembling, operating, or maintaining this TILLER. If so, you can contact our Technical Service Department at 1-800-737-2112 (English only).

You may also write to:

METL Corporate Office - CORRESPONDENCE ONLY
ATTN: Technical Service – METL
6700 Wildlife Way
Long Grove, IL 60047



**If you need assistance or have any questions, CALL
TOLL FREE: 1-800-737-2112.**

When contacting the Technical Service Department, have ready:

- Your Name
- Your Address
- Your Phone Number
- Model Number of Product
- Date of Purchase (include copy of receipt for written requests)

Maintenance (Continued)

• Save all instructions

PROBLEM	POSSIBLE CAUSE(S)	SOLUTION(S)
Engine difficult to start	<ol style="list-style-type: none"> 1. Out of fuel 2. Engine Switch Off 3. Engine is not primed. 4. Spark plug wire disconnected 5. Fouled spark plug 6. Dirty Carburetor 7. Clogged air filter 8. Clogged fuel filter 9. Contaminated Fuel 	<ol style="list-style-type: none"> 1. Add fresh fuel 2. Turn engine switch on 3. Turn choke on 4. Attach spark plug wire to spark plug 5. Remove spark plug. Inspect. Replace if necessary 6. Take unit to an authorized service center for Carburetor cleaning 7. Remove and clean air filter 8. Remove fuel filter. Inspect. Replace if necessary 9. Drain fuel tank. Clean fuel tank. Fill with fresh fuel
<u>Engine Problems</u> Engine smokes excessively Engine runs very "rough" Engine runs erratically Engine cannot maintain full speed	<ol style="list-style-type: none"> 1. No Engine Oil 2. Engine oil not at proper level 3. Fouled spark plug 4. Clogged air filter 5. Clogged fuel filter 6. Contaminated Fuel 7. Carburetor out of adjustment 	<ol style="list-style-type: none"> 1. Add engine oil 2. Check engine oil. Add or drain engine oil if necessary 3. Remove spark plug. Inspect. Replace if necessary 4. Remove and clean air filter 5. Remove fuel filter. Inspect. Replace if necessary 6. Drain fuel tank. Clean fuel tank. Fill with fresh fuel 7. Take unit to an authorized service center for Carburetor adjustment
Excessive vibration / noise	<ol style="list-style-type: none"> 1. Loose parts 2. Engine problems (above) 3. Abnormal noise or squeal coming from belt drive. 	<ol style="list-style-type: none"> 1. Tighten all fasteners 2. Refer to engine solutions (above) 3. Normally due to belt/pulley break in period. Refer to Belt Tension Adjustment section.
Tines will not rotate	<ol style="list-style-type: none"> 1. Debris interfering with tines 2. Tines loose 3. Improper drive cable adjustment 4. Damaged drive belts 	<ol style="list-style-type: none"> 1. Remove debris from around tines 2. Replace tine bolts and nuts 3. Refer to "Belt Tension Adjustment" Section to decrease belt tension 4. Replace drive belts
Tines continue to rotate when drive lever not engage	<ol style="list-style-type: none"> 1. Improper drive cable adjustment 2. Damaged drive belts 	<ol style="list-style-type: none"> 1. Refer to "Belt Tension Adjustment" Section to decrease belt tension 2. Replace drive belts
Engine will not stop	Flameout wire terminals disconnected	Connect engine flameout wire terminals
Tine will not cut properly	Damaged or worn tines	Replace tines
Frequent engine stalling	<ol style="list-style-type: none"> 1. Excessive tilling speed / depth 2. Engine problems (above) 	<ol style="list-style-type: none"> 1. Till at a moderate pace. Make multiple passes. 2. Refer to engine solutions (above)

Warranty

• Save all instructions

A Powermate® ROTARY TILLER Limited Warranty

Always specify model number when contacting the factory.

We reserve the right to amend these specifications at any time without notice. The only warranty applicable is our standard written warranty. We make no other warranty, expressed or implied. MAT Engine Technologies, LLC warrants this Tiller and any parts thereof, to be free from defects in material and workmanship for two years (90 days for commercial use or for reconditioned unit) from the date of first purchase from an authorized dealer, provided that the product has been properly maintained and operated in accordance with all applicable instructions. This warranty is extended only to the original retail purchaser. The bill of sales or proof of purchase must be presented at the time a claim is made under this warranty. This warranty does not cover commercial, industrial, or rental usage, nor does it apply to parts that are not in original condition because of normal wear and tear, or parts that fail or become damaged as a result of misuse, accident, lack of proper maintenance, tampering, or alteration. Travel, handling, transportation, and incidental costs associated with warranty repairs are not reimbursable under this warranty and are the responsibility of the owner. To the full extent allowed by the law of the jurisdiction that governs the sale of the product, this express warranty excludes any and all other expressed warranties and limits the duration of any and all implied warranties, including warranties of merchantability and fitness for a particular purpose to two years from the date of first purchase, and MAT Engine Technologies, LLC's liability is hereby limited to the purchase price of the product and MAT Engine Technologies, LLC shall not be liable for any other damages whatsoever including indirect, incidental, or consequential damages. Some states do not allow limitation of how long an implied warranty lasts or an exclusion or limitation of incidental or consequential damages, so the above limitation of damages may not apply to you. This warranty provides the original purchaser with specific rights.

For information regarding those rights, please consult the applicable state laws.

METL Corporate Office - CORRESPONDENCE ONLY
ATTN: Technical Service – METL
6700 Wildlife Way
Long Grove, IL 60047

Warranty (Continued)

- Save all instructions

B Emission Control System Warranty

This **MAT Engine Technologies, LLC (METL)** outdoor power equipment engine complies with the emissions regulations of:

<i>Powermate® Model No.</i>	<i>Regulatory Agency</i>
P-RTT-196MD-[E]	United States Environmental Protection Agency ("U.S. EPA")
P-RTT-196MD	United States Environmental Protection Agency ("U.S. EPA") and State of California

To the extent there is any conflict between this Emissions Control System Warranty and the equipment manufacturer's warranty, this Emissions Control System Warranty shall apply except where the equipment manufacturer's warranty may provide a longer warranty period. Please read your warranty rights and obligations carefully. Some sections of the warranty may not apply to the specific equipment model you purchased. Unless specifically noted otherwise, the terms of the Emission Control System Warranty shall apply to all product engines covered within this manual.

Your Warranty Rights and Obligations:

The California Air Resources Board, U.S. EPA and **MAT Engine Technologies, LLC (METL)** are pleased to explain the Emission Control System Warranty on your new outdoor power equipment engine.

California (applies only to Model No. P-RTT-196MD-[E] and P-RTT-196MD)

In California, new spark-ignited small off-road equipment engines must be designed, built and equipped to meet the State's stringent anti-smog standards.

Other States, U.S. Territories

In other areas of the United States, your engine must be designed, built and equipped to meet the U.S. EPA emission standards for spark-ignited engines at or below 19 kilowatts.

All of the United States

MAT Engine Technologies, LLC (METL) must warrant the emissions control system on your power equipment engine for the periods of time listed below provided there has been no abuse, neglect or improper maintenance of your power equipment engine. Where a warrantable condition exists, **METL** will repair your power equipment engine at no cost to you including diagnosis, parts and labor.

Manufacturer's Warranty Coverage:

The emissions control system is warranted for two years. If any emissions-related part on your engine is defective, the part will be repaired or replaced by **METL**.

Owner's Warranty Responsibility

As the power equipment engine owner, you are responsible for the performance of the required maintenance listed in your owner's manual. **METL** recommends that you retain all receipts covering maintenance on your power equipment engine, but **METL** can not deny warranty solely for the lack of receipts or for your failure to ensure the performance of all scheduled maintenance.

As the power equipment engine owner, you should however be aware that **METL** may deny your warranty coverage if your power equipment engine or a part has failed due to abuse, neglect, improper maintenance or unapproved modifications.

You are responsible for presenting your power equipment engine to a distribution center or service center authorized by **METL** as soon as the problem exists. The warranty repairs should be completed in a reasonable amount of time, not to exceed 30 days.

If you have any questions regarding your warranty rights and responsibilities, you should contact

MAT Engine Technologies, Inc.
6700 Wildlife Way
Long Grove, IL 60047
Tel: 1-800-737-2112

Warranty (Continued)

- Save all instructions

Warranty Coverage:

METL warrants that the product engine is free from defects in materials and workmanship which cause such engine to fail to conform with the U.S. EPA or State of California emissions standards for small spark-ignited nonroad (off-road) engines – as applicable to your **METL** product. Small spark-ignited off-road engines manufactured after January 1, 1995 and sold in the State of California and U.S. EPA-certified small spark-ignited nonroad engines manufactured in model year 1997 or later and sold in all of the United States are covered by this Emission Control System Warranty for a period of two years from the date of delivery to the original purchaser. This Emission Control System Warranty is transferable to each subsequent purchaser for the duration of the warranty period. Emission Control System Warranty repairs or replacements will be made without charge for diagnosis, parts or labor. A list of warranted parts is provided below. Normal maintenance items, such as spark plugs, air filters and fuel filters that are included on the list of warranted parts are warranted only up to the first scheduled required replacement interval for such item, as set forth in the Operator's Manual. If any emission control system part is repaired or replaced under the Emission Control System Warranty, it shall be warranted for the remainder of the applicable warranty period. **METL** will also repair or replace other engine components damaged by a failure of any part covered by the Emission Control System Warranty during the Emission Control System Warranty Period. Only parts authorized and approved by **METL** may be used in the performance of any Emission Control System Warranty repairs or replacements and will be provided without charge to the owner. Unapproved, add-on, modified, counterfeit and/or "gray market" parts may not be used to modify or repair the **METL** engine. If such a part has been used in the repair or maintenance of your engine, and an **METL Authorized Service Center** determines it is defective or causes a failure of a part covered under the Emission Control System Warranty, your claim for repair of your engine or product may be disallowed. **METL** shall not be held liable hereunder for failures of any warranted parts caused by the use of such an unapproved, add-on, modified, counterfeit and/or "gray market" part.

How to Obtain Warranty Service:

You must take your power equipment engine or the product on which it is installed, along with evidence of the date of the sale to the original purchaser, at your expense, to any **METL Authorized Service Center** during its normal business hours. To locate your nearest **METL Authorized Service Center**, call (800) 737-2112. The product owner shall be responsible for any expenses or charges incurred for service calls or transportation of the product or equipment engine to and from the **METL Authorized Service Center**, including any and all damages or losses incurred during such transportation or shipment.

Exclusions:

Failures other than those resulting from defects in material or workmanship are not covered by this Emission Control System Warranty. This Emission Control System Warranty does not extend to emission control systems or parts which are affected or damaged by owner abuse, neglect, improper maintenance, misuse, mis-fueling, improper storage, accident and/or collision, the incorporation of, or any use of, any unapproved, add-on, modified, "graymarket" or counterfeit parts, unsuitable attachments, or the unauthorized alteration of any part. This Emission Control System Warranty does not cover the regular replacement of normal maintenance items made in connection with required maintenance services after the item's first scheduled replacement, as set forth in the Operator's Manual (e.g. spark plugs, air filters, fuel filters, etc...).

Limitations of Liability:

METL disclaims any responsibility for loss of time or use of the engine, or the equipment in which the engine is installed, transportation, commercial loss, or any other incidental or consequential damage. Any implied warranties are limited to the duration of this written limited warranty. Some states do not allow limitations on how long an implied warranty lasts and/or do not allow the exclusion or limitation of incidental or consequential damages, so the above exclusions and limitations may not apply to you.

This warranty gives you specific legal rights, and you may also have other rights which vary from state to state.

Warranty (Continued)

- Save all instructions

Limitation of Liability (cont.):

SYSTEMS COVERED BY THIS WARRANTY:	PARTS DESCRIPTION:
Fuel Metering System	Carburetor assembly (if so equipped) and its internal components; fuel filter (if so equipped), carburetor gaskets, fuel pump (if so equipped)
Air Induction System	Intake pipe/ manifold, air cleaner
Ignition System	Spark plug ¹ , ignition module / coil
Exhaust System	Catalytic muffler assembly (if so equipped), muffler gasket, exhaust manifold
Crankcase Breather Assembly	Breather connection tube
Miscellaneous Parts Used in Above Systems	Hoses, belts, connectors and assemblies
Evaporative Emissions Components ²	Fuel line, fuel line fittings, clamps, fuel tank, carbon canister, canister mounting brackets, carburetor purge port connector
¹ Covered up to the first required replacement only. See the Maintenance Schedule	
² As applicable to your product engine emissions certifications	



Manual de operación MOTOCULTIVADORA ROTATIVA CON TREN DE AZADA POSTERIOR

MODELO N.º P-RTT-196MD-[E]
P-RTT-196MD

Contenido:	Página
Definiciones de seguridad	27
Información importante sobre seguridad	28-30
Especificaciones del producto	31
Parts & Features	31
Marbetes de seguridad	32-33
Montaje	33
Preparación del motor	36
Puesta en marcha y funcionamiento	37-41
Mantenimiento	42-45
Servicio técnico	45
Diagnóstico y resolución de problemas	46
Garantía	47-50



IMPORTANTE:

Gracias por comprar esta motocultivadora Powermate®

Este manual brinda instrucciones completas para la operación y mantenimiento seguros de la motocultivadora. Leer y guardar estas instrucciones. Siempre consultar este manual antes de utilizar la motocultivadora.

Anotar lo siguiente para referencia futura:

Código de fecha de fabricación: _____

Fecha de compra: adjuntar una copia del recibo de venta.

Número gratuito para el consumidor: 1-800-737-2112

Consúltese el sitio web para obtener una copia electrónica del manual y el catálogo de piezas.
www.gardnerinc.com

⚠ ADVERTENCIA

Este producto contiene una o más sustancias químicas que, consta al Estado de California, producen cáncer y malformaciones congénitas u otros daños reproductivos. Lavarse las manos después de manipularlo.



Si se tienen preguntas o problemas...

NÚMERO GRATUITO PARA EL CONSUMIDOR: 1-800-737-2112




GUÁRDESE ESTE MANUAL PARA REFERENCIA FUTURA

Definiciones de seguridad

• Guardar estas instrucciones











Símbolos de alerta sobre seguridad

Los símbolos siguientes se utilizan en el producto y en este manual para alertar al operador sobre riesgos potenciales de seguridad. Leerlos detenidamente y entender su significado.






 PELIGRO	Indica una situación inminentemente peligrosa que, de no evitarse, producirá la muerte o lesiones graves.
 ADVERTENCIA	Indica una situación potencialmente peligrosa que, de no evitarse, producirá la muerte o lesiones graves.
 CUIDADO	Indica una situación potencialmente peligrosa que, de no evitarse, podría causar lesiones de leves a moderadas o daños materiales.

Los símbolos siguientes se encuentran en la motocultivadora. Leerlos detenidamente y entender su significado.

Símbolos de advertencia sobre seguridad

	Indica ADVERTENCIA, PELIGRO o CUIDADO.		Usar protección ocular que cumpla con la norma ANSI Z87.1 y protección auditiva.
	Leer el manual de operación antes de utilizar esta máquina. El no seguir las directrices podría conducir a lesiones graves.		Desconectar el cable de la bujía cuando la motocultivadora no esté en uso o antes de dar servicio técnico, limpiar o dar mantenimiento a la unidad.
	Objetos lanzados. Retirar toda roca, piedra u objetos extraños que pudieran ser lanzados por la máquina.		Los gases de escape del motor contienen monóxido de carbono, un gas inodoro y letal. JAMÁS hacer funcionar la unidad en espacios interiores o en áreas con ventilación deficiente.
	No utilizar la motocultivadora ante la presencia de niños o circunstancias.		NO tocar el silenciador ni el cilindro calientes. Estas piezas están sumamente calientes debido al funcionamiento y podrían permanecer calientes durante un período de tiempo corto después del funcionamiento.
	Las azadas rotativas pueden causar lesiones graves. Mantener alejadas las manos, los pies y la indumentaria.		Para reducir el riesgo de incendio, limpiar el combustible y aceite derramados y mantener la unidad libre de residuos. La gasolina es sumamente inflamable. Dejar que la máquina enfríe antes de reabastecerla de combustible.

Símbolos de control y operación

	Admisión para llenado de aceite No sobrellenar		Válvula de ALIMENTACIÓN/CORTE de combustible Mover la válvula de combustible hacia la derecha para accionar la motocultivadora.
	Palanca del embrague El abatimiento de la palanca superior engrana las azadas e impulsa las ruedas para la operación de labranza. El abatimiento de la palanca inferior engrana las azadas e impulsa las ruedas para invertir el sentido de la motocultivadora.		Palanca del estrangulador Mover la palanca del estrangulador hacia la izquierda para arrancar el motor en frío. Mover la palanca del estrangulador hacia la derecha una vez el motor está en marcha o para arrancar el motor en caliente.
	Control del regulador Mover la palanca del regulador hacia la izquierda para aumentar la velocidad del motor; moverla hacia la derecha para disminuirla.		

Información importante sobre seguridad

• Conserve todas las instrucciones

RESPONSABILIDAD DEL OPERADOR

1. Leer detenidamente y seguir estas instrucciones de seguridad. El hacer caso omiso de éstas puede conducir a lesiones graves.
2. Conózcase el producto. Leer y entender este manual antes de utilizar la unidad. Comparar las ilustraciones con la unidad. Aprenderse la ubicación y función de todos los controles. Un entendimiento exhaustivo de la unidad antes de utilizarla redundará en rendimiento y seguridad óptimos.
3. Seguir todas las instrucciones al montar la unidad. Si se compró la unidad ya montada, el operador ha de revisar la unidad cuidadosamente para asegurarse que se montó de conformidad con las instrucciones en el manual antes de utilizarla.
4. Inspeccionar la motocultivadora periódicamente. Verificar que no hayan piezas dobladas, dañadas o flojas.
5. Utilizar este equipo únicamente para su uso previsto.
6. Utilizar la unidad sólo con protectores, cubiertas y otros elementos de seguridad instalados y en buenas condiciones.
7. Utilizar sólo con piezas de repuesto autorizadas o aprobadas par dar mantenimiento a la unidad.
8. Completar todo mantenimiento y ajuste de la unidad conforme a las instrucciones en este manual.

⚠ ADVERTENCIA

La presencia de este símbolo señala precauciones de seguridad importantes. Significa: «¡Atención! ¡Ponte alerta! Tu seguridad está de por medio.»

⚠ ADVERTENCIA

El gas de escape del motor, algunos de sus constituyentes, y ciertos componentes de vehículos contienen o emiten sustancias químicas que, consta al Estado de California, producen cáncer y malformaciones congénitas u otros defectos reproductivos.

⚠ ADVERTENCIA

Para evitar el arranque accidental al montar, transportar, ajustar o efectuar reparaciones, siempre desconectar el cable de la bujía y colocarlo donde no pueda entrar en contacto con ésta.

SEGURIDAD DURANTE LA PREPARACIÓN

⚠ ADVERTENCIA

- Leer, entender y seguir todas las instrucciones en la máquina y en este manual. Familiarizarse completamente con los controles y el uso apropiado de la motocultivadora antes del arranque. Sépase cómo parar el motor rápidamente.
- Familiarizarse con todos los marbetes de seguridad y funcionamiento en este equipo.

⚠ ADVERTENCIA

- Inspeccionar completamente el área en que se va a utilizar la motocultivadora y retirar todo objeto extraño. La motocultivadora puede lanzar objetos pequeños a gran velocidad y causar lesiones personales o daños materiales. Mantenerse alejado de objetos frágiles, tales como ventanas de viviendas, vidrios de automóviles, invernaderos, etc.
- Verificar, antes de cada uso, que todas las tuercas y pernos estén apretados y que el equipo esté en buenas condiciones.

⚠ ADVERTENCIA

- Antes de arrancar el motor, siempre verificar que el cable de extinción esté conectado.

SEGURIDAD DURANTE LA OPERACIÓN

- Jamás permitir que niños o adolescentes jóvenes operen la motocultivadora.

⚠ ADVERTENCIA

- Mantener el área de trabajo libre de circunstancias, particularmente niños pequeños y mascotas.
- Permitir solo a individuos responsables, familiarizados con las instrucciones, operar la motocultivadora.

⚠ ADVERTENCIA

- No operar la motocultivadora bajo la influencia de alcohol, fármacos u otro medicamento que pudiera causar somnolencia o afectar la capacidad de operar la máquina de manera segura.
- No utilizar esta máquina si se es mental o físicamente incapaz de operarla de manera segura.
- Al operar la motocultivadora, siempre usar gafas de seguridad con resguardos laterales, homologadas por ANSI, para protegerse los ojos contra objetos extraños que pudieran ser lanzados por la unidad.
- Vestir indumentaria apropiada tal como una camisa o chaqueta de manga larga. También, vestir pantalones largos. NO vestir pantalones cortos. NO vestir indumentaria holgada que pudiera atorarse en este equipo.

Información importante sobre seguridad (Continuación)

• Conserve todas las instrucciones

SEGURIDAD DURANTE LA OPERACIÓN (Continuación)

- Siempre usar guantes de trabajo y calzado robusto tal como zapatos de cuero para trabajo o botas cortas. Éstos protegen los tobillos y la tibia contra palos pequeños, astillas y otros despojos lanzados. Asimismo, éstos mejoran la tracción.
- Es aconsejable usar equipo para protegerse la cabeza contra golpes de partículas pequeñas lanzadas, o contra golpes de ramas bajas, ramitas u otros objetos que pudieran pasar desapercibidos por el operador.

⚠ ADVERTENCIA

- No colocar ni las manos ni los pies cerca de piezas rotativas o debajo de las mismas.
- Tener sumo cuidado al operar la motocultivadora sobre accesos, andenes o caminos con grava; o bien, al cruzarlos. Mantenerse alerta por peligros ocultos o tránsito.

⚠ ADVERTENCIA

- Tener cuidado para no deslizarse o caerse. Siempre asegurar el apoyo de los pies; mantener una sujeción firme del asidero y caminar; jamás correr. Jamás operar la motocultivadora a velocidades altas de transporte sobre superficies lisas.
- Jamás operar la motocultivadora sin buena visibilidad o luz.

⚠ PELIGRO

- No poner en marcha el motor en espacios interiores o dentro de un área encerrada. Los gases del escape son peligrosos; contienen MONÓXIDO DE CARBONO, un GAS INODORO Y LETAL.
- Jamás dejar la motocultivadora desatendida mientras el motor está en marcha. Parar el motor y asegurarse que todas las piezas móviles hayan parado. Desconectar el cable de la bujía.
- Tener cuidado con agujeros, surcos, abultamientos u otro terreno escabroso. El pasto alto puede ocultar obstáculos.
- Siempre ver hacia atrás, hacia abajo y tener cuidado al usar el retroceso o tirar de la motocultivadora hacia sí mismo.
- Jamás intentar arrancar la motocultivadora a menos que ambas ruedas estén en la posición inmovilizada. Esto actúa como un freno para la motocultivadora. Siempre arrancar la motocultivadora en una superficie a nivel.

⚠ ADVERTENCIA

- Desenganchar la palanca del embrague y parar el motor antes de dejar la motocultivadora en la posición de operación. Esperar hasta que las azadas paren completamente antes de retirar despojos o efectuar cualquier ajuste en la motocultivadora.

⚠ CUIDADO

- No intentar labrar suelo duro, labrar demasiado profundo o labrar a una velocidad demasiado rápida que pudiera sobrecargar la motocultivadora.
- Si la motocultivadora comenzara a vibrar anormalmente, parar el motor, desconectar el cable de la bujía y evitar que éste haga contacto con la bujía. Tratar de identificar la causa inmediatamente. Generalmente, la vibración indica problemas.

SEGURIDAD DEL COMBUSTIBLE

⚠ ADVERTENCIA

- La gasolina es sumamente inflamable y los vapores de gasolina pueden explotar si se los enciende. Manipularla con cuidado.
- Utilizar un contenedor aprobado.
- Revisar el nivel de combustible antes de cada uso; dejar espacio para expansión puesto que el calor del motor o el sol puede causar la expansión del combustible.
- Llenar el tanque de combustible al aire libre con sumo cuidado. Jamás llenar el tanque de combustible en espacios interiores.
- Jamás retirar la tapa del combustible ni abastecer combustible con el motor en marcha. Dejar que el motor enfríe antes de reabastecerlo de combustible.

⚠ ADVERTENCIA

- No fumar mientras se reabastece combustible.
- Después del reabastecimiento de combustible, colocar nuevamente la tapa del tanque de combustible de manera segura y enjugar el combustible derramado.
- Jamás almacenar combustible o la motocultivadora con combustible en el tanque dentro de un edificio donde los vapores podrían llegar a una llama abierta.
- Jamás llenar contenedores de gasolina o el tanque de combustible de la motocultivadora dentro de un vehículo o en la cama de un camión. Una descarga eléctrica estática accidental puede encender los vapores de combustible, lo cual podría resultar en lesiones graves o la muerte.

Información importante sobre seguridad (Continuación)

- *Conserve todas las instrucciones*

SEGURIDAD DE ALMACENAMIENTO

- Siempre consultar las instrucciones del Manual del operador para obtener información importante pormenorizada si se va a guardar la motocultivadora durante un período de tiempo prolongado.
- Jamás almacenar la motocultivadora con combustible en el tanque dentro de un edificio donde haya fuentes de ignición tales como calentadores de agua, calentadores unitarios, secadoras de ropa, etc.
- Para reducir el riesgo de incendio, mantener la motocultivadora libre de césped, hojas y acumulación de otros residuos.
- Dejar que el motor enfríe antes de almacenarlo en un recinto.

SEGURIDAD DURANTE LA REPARACIÓN, MANTENIMIENTO Y AJUSTE

- Después de golpear un objeto extraño, parar el motor. Desconectar el cable de la bujía y mantenerlo alejado de ésta para evitar un arranque accidental. Inspeccionar exhaustivamente la motocultivadora para determinar si ha sufrido daños. Si está dañada, efectuar las gestiones para que un técnico capacitado la repare antes de arrancarla y utilizarla nuevamente.

⚠ ADVERTENCIA

- Parar el motor antes de limpiar, reparar o inspeccionar la unidad. Verificar que todas las piezas móviles hayan parado. Dejar que el motor enfríe. Desconectar el cable de la bujía y alejarlo de ésta.
- Jamás intentar ajuste alguno mientras el motor esté en marcha, excepto cuando así lo recomiende el fabricante específicamente.
- Mantener la motocultivadora en condiciones de funcionamiento seguro. Revisar todos los sujetadores a intervalos frecuentes para una sujeción adecuada.
- Al dar mantenimiento a la motocultivadora o repararla, no inclinar la máquina lateral o longitudinalmente a menos que así lo instruya este Manual específicamente. Los procedimientos de mantenimiento y reparación se pueden efectuar con la motocultivadora en la posición vertical. Algunos procedimientos son más fáciles si se coloca la máquina sobre una plataforma o superficie de trabajo elevada.
- Utilizar sólo equipo original o piezas de repuesto autorizadas.

⚠ ADVERTENCIA

- Jamás manipular imprudentemente los dispositivos de seguridad. Verificar el funcionamiento apropiado de los mismos periódicamente.
- No cambiar la configuración del regulador del motor ni sobreacelerar el motor.
- Limpiar y reemplazar los marbetes de seguridad e instrucciones según sea necesario.
- Para prevenir el sobrecalentamiento del motor, siempre tener el filtro de impurezas limpio e instalado en el motor.

SEGURIDAD DE NIÑOS

⚠ ADVERTENCIA

- Accidentes trágicos pueden ocurrir si el operador no está alerta a la presencia de niños. A menudo, los niños se ven atraídos por la motocultivadora y la labranza misma.
- Mantener a los niños fuera del área de labranza y bajo la supervisión de un adulto responsable.
- Jamás suponer que los niños permanecerán donde se los vio la última vez.
- Estar alerta y apagar la motocultivadora si algún niño entra en el área.
- Antes de retroceder y mientras se retrocede, ver hacia atrás y hacia abajo para asegurarse que no haya niños pequeños.
- Jamás permitir que niños operen la motocultivadora.
- Tener sumo cuidado al utilizar la motocultivadora cerca de esquinas sin visibilidad clara, arbustos, árboles u otros objetos que pudieran obstruir la visión.

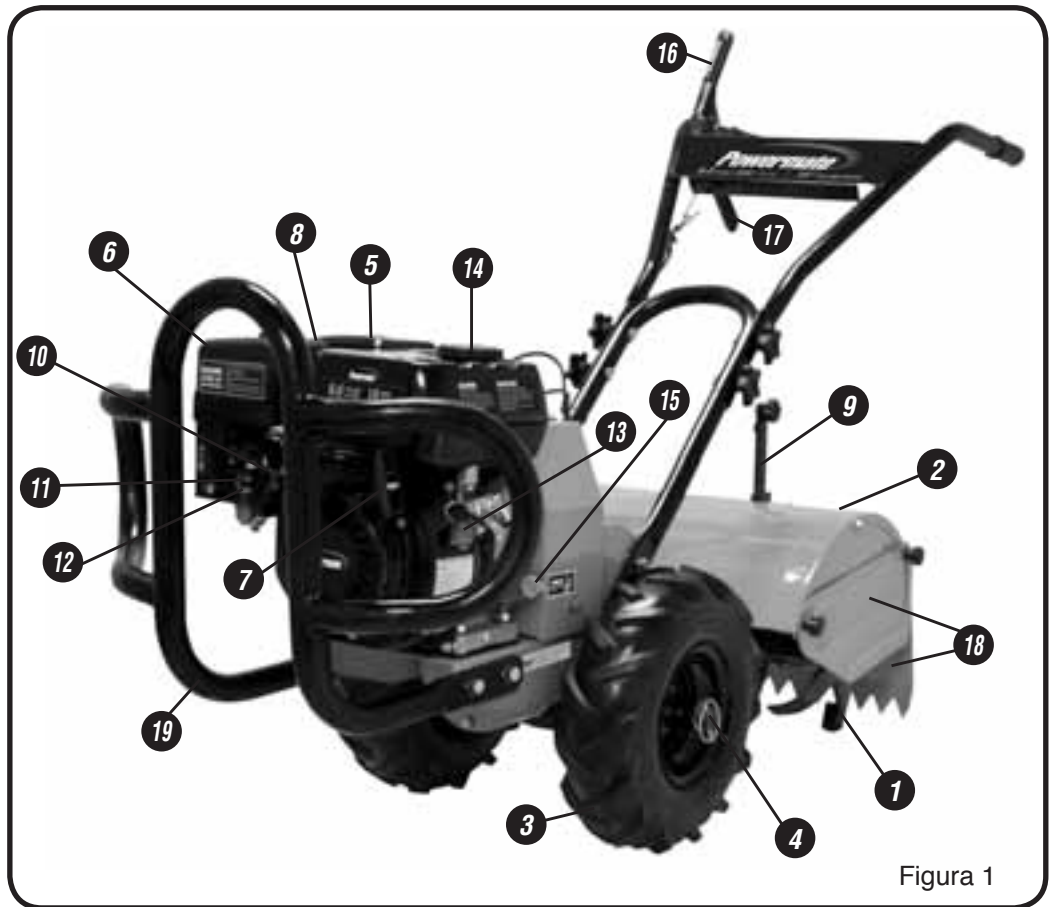
Especificaciones del producto

• Conserve todas las instrucciones

Peso de la unidad	79 kg (120 lb)	Tipo de motor	Válvula en la culata, 4 tiempos
Anchura de labranza	457 mm (18 in)	Cilindrada del motor	196 cm ³
Profundidad de labranza	hasta 152 mm (6 in)	Velocidad del motor (admisión plena)	3600rpm
Diámetro de azada	279 mm (11 in)	Velocidad del motor (marcha en vacío)	2100rpm
Tipo de gasolina	Regular, sin plomo, 88 octanos (mín.)	Par de torsión nominal	13.02 N·m (9.6 ft·lbf) par de torsión bruto según SAE J1940
Capacidad de gasolina	3.3 l (3.5 qt)	Diámetro interior x carrera	68 x 54 mm (2.7 x 2.13 in)
Tipo de aceite para motor (API SG-SL)	Se recomienda 10W-30 para toda temperatura de servicio. Véase la página 8 para información adicional.	Huelgo de la válvula de admisión	0.10 - 0.15 mm (0.004 - 0.006 in)
Capacidad de aceite de motor	20 oz	Huelgo de la válvula de escape	0.15 - 0.20 mm (0.006 - 0.008 in)
Tipo de aceite de transmisión	SAE 90W-140	Ángulo de ignición	25°
Capacidad de aceite de transmisión	0.6 l (20 oz)	Tamaño de las llantas	13x5.00-6 banda de rodadura direccional para tractor
Bujía	Torch F7RTC	Presión de las llantas	1.4 bar mín./2.1 bar máx. (20 psi min/30 psi max)
Distancia entre electrodos de la bujía	0.7-0.8 mm (0.028-0.031 in)		

Piezas y características

1. Azadas
2. Cubierta de azadas
3. Ruedas
4. Pasador de seguridad de rueda
5. Silenciador
6. Filtro de aire
7. Empuñadura del arrancador de retroceso
8. Bujía / Cable de bujía
9. Regulador de profundidad
10. Control del regulador
11. Válvula de ALIMENTACIÓN/ CORTE de combustible
12. Control del estrangulador
13. Interruptor de encendido/ apagado (On/Off)
14. Tapa del tanque de combustible
15. Varilla medidora del nivel de aceite
16. Palanca de avance
17. Palanca de retroceso
18. Protectores laterales de azadas
19. Asidero frontal



Marbetes de seguridad

• Conserve todas las instrucciones

Esta motocultivadora se ha diseñado y fabricado para brindar la seguridad y confiabilidad que se debería esperar de un líder de la industria en la fabricación de equipo motorizado para espacios exteriores.

Aunque leer este manual y las instrucciones de seguridad que contiene proporciona el conocimiento básico necesario para operar este equipo de manera segura y eficaz, se han colocado varios marbetes de seguridad en la motocultivadora para recordar al operador esta importante información mientras opera la unidad.

Estos importantes marbetes de seguridad se ilustran a continuación y se muestran aquí para ayudar a familiarizarse con la ubicación y contenido de los mensajes de seguridad que el operador verá durante las operaciones normales de labranza. Revisense estos marbetes ahora mismo. Si se tiene alguna

pregunta con respecto a su significado o a cómo cumplir estas instrucciones, leer nuevamente el texto completo de la instrucción de seguridad en las páginas que anteceden, o bien, contáctese al concesionario local autorizado.

Si alguno de los marbetes de seguridad se vuelve ilegible debido al desgaste, desvanecimiento o daño durante el uso de la motocultivadora, contáctese al concesionario local autorizado para pedir un marbete nuevo.

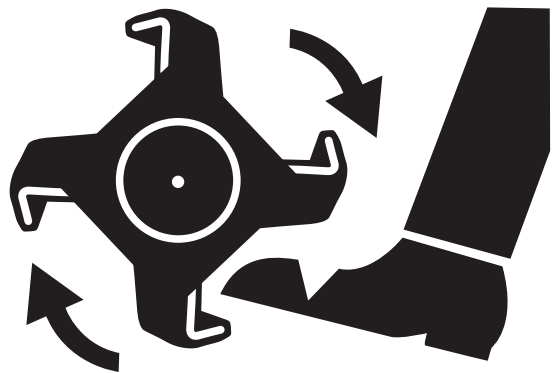
Los marbetes de seguridad se aplican fácilmente y actúan como un recordatorio visual constante para el operario y otros que pudieran usar el equipo. Seguir las instrucciones de seguridad es necesario para la operación segura y eficaz de la motocultivadora.

⚠ WARNING

TO AVOID SERIOUS INJURY

- Read operators manual(s).
- Know the location and function of all controls.
- Keep all shields and guards in place and working.
- Never allow children or uninstructed adults to operate machine.
- Shut off engine and disconnect the spark plug before manually unclogging tine or making repairs.
- Keep bystanders away from the machine.
- Keep away from rotating parts while engine is running.
- Use extreme caution when reversing or pulling the machine towards yourself.
- Gasoline is flammable and explosive.

⚠ DANGER



KEEP HANDS, FEET, AND CLOTHING AWAY FROM ROTATING TINES.

CONTACT WITH ROTATING TINES MAY RESULT IN SERIOUS INJURY.

FORWARD

REVERSE

⚠ WARNING

FOR OUTDOOR USE ONLY

RISK OF FIRE: DO NOT ADD FUEL WHEN PRODUCT IS OPERATING. ALLOW ENGINE TO COOL COMPLETELY BEFORE REFUELING. RISK OF ASPHYXIATION. USE THIS PRODUCT ONLY IN A WELL VENTILATED AREA.

⚠ MISE EN GARDE

POUR USAGE EXTÉRIEUR SEULEMENT

RISQUE D'INCENDIE : N'AJOUTEZ PAS LE CARBURANT QUAND LE PRODUIT FONCTIONNE. NE PAS REMPLIR LE RÉSERVOIR DE CARBURANT DANS UN ESPACE CLOS NI PENDANT LE FONCTIONNEMENT DE L'APPAREIL. RISQUE D'ASPHYXIE : UTILISER DANS UNE ZONE BIEN AÉRÉE.

⚠ ADVERTENCIA

SOLAMENTE PARA USO EN EXTERIORES

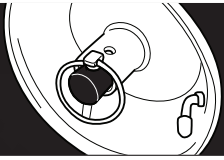
RIESGO DE FUEGO: NO AGREGUE PRODUCTO ESTÁ FUNCIONANDO. PERMITA QUE EL MOTOR SE ENFRIE COMPLETAMENTE DE LLENARLO DE COMBUSTIBLE DE NUEVO. RIESGO DE ASFIXIA. UTILICE EN ÁREAS CON BUENA VENTILACIÓN.

Marbetes de seguridad (Continuación)

• Conserve todas las instrucciones

TO ENGAGE TRANSPORT MODE

1. Remove pin
2. Slide wheel *towards* frame
3. Insert pin through the hole on the wheel axle and rotate ring to secure



! WARNING

Do not start engine unless belt cover is attached. Keep hands, feet, and clothing away from moving belts and pulleys. Failure to comply could result in injury. See owner's manual for full safety instructions.

ENGINE START-UP INSTRUCTIONS

1. Insert the locking pin to secure the wheels in locked position.
2. Turn the Engine Switch to the "on" position.
3. Open the Fuel Valve.
4. Close the Choke Lever.
5. Adjust the Throttle Control to the high speed.
6. Pull the Starter Handle until engine starts.
7. After starting the engine, open the Choke Lever.

! WARNING

Refer to the Troubleshooting and Belt Tension Adjustment sections of the Operator's Manual if tines continue to rotate when the clutch lever is released or do not rotate when the clutch lever is depressed.

Montaje

• Conserve todas las instrucciones



Si se necesita ayuda o falta alguna pieza, LLAMAR GRATUITAMENTE AL: 1-800-737-2112.

Leer y seguir las instrucciones de montaje. No descartar ninguna pieza o materiales sino hasta que la unidad esté montada. Las referencias al lado derecho o izquierdo de la motocultivadora toman como base el punto de vista desde la posición del operador detrás de la motocultivadora.

! ADVERTENCIA

No operar la motocultivadora si ésta está averiada o no montada completa o correctamente.

! ADVERTENCIA

Antes de efectuar algún montaje o mantenimiento de la unidad, retirar el cable de la bujía.

! ADVERTENCIA

Al montar la motocultivadora, siempre usar gafas de seguridad con resguardos laterales, homologadas por ANSI.

La caja contiene los componentes siguientes.
Cantidades mostradas en ().

1. (1) Motocultivadora
2. (1) Asidero
3. (1) Asidero frontal
4. (2) Tren de azadas
5. (1) Protector de azadas
6. (1) Regulador de profundidad
7. (2) Pernos y contratuercas M10 x 50 mm para montaje de los resguardos laterales estacionarios
8. (1) Manual de operación de la motocultivadora
9. (1) Manual del motor
10. (1) Envase de aceite de motor SAE 30
11. (1) Bolsa de piezas con el contenido siguiente
 - a. (1) Llave para bujía
 - b. (2) Llaves ajustables para tuercas
 - c. (4) Pernos M8 x 25 mm con arandelas planas y contratuercas para montaje del asidero frontal
 - d. (2) Pernos M10 x 25 mm con cabeza de reborde, arandelas de seguridad y tuercas
 - e. (4) Pernos curvos M8 x 60 mm y arandelas para montaje del asidero superior
 - f. (4) Perillas del asidero para montaje del asidero superior
 - g. (2) Pasadores de seguridad de las ruedas
 - h. (2) Pernos M6 x 25 mm con cabeza de reborde, arandelas planas y contratuercas
 - i. Pernos M10 x 50 mm y contratuercas para montaje de las azadas
 - j. (1) Pasador de detención
 - k. (4) Tuercas M8 de orejetas para montaje de resguardos laterales.

Montaje (Continuación)

• Conserve todas las instrucciones



Si se necesita ayuda o falta alguna pieza, LLAMAR GRATUITAMENTE AL: 1-800-737-2112.

A Cómo sacar la motocultivadora de la caja

1. Sacar todas las piezas y componentes del embalaje.
2. Utilizar una cuchilla multiuso para cortar las cuatro esquinas verticales y colocar los costados de la caja sobre el piso, alrededor de la motocultivadora.
3. Sacar el resto del embalaje.
4. Retirar los dos pernos que atraviesan el marco de embalaje y los agujeros del eje de las ruedas.
5. Retirar los dos pernos ubicados debajo del motor, que atraviesan el marco de embalaje y el bastidor de base de la motocultivadora.
6. Con un ayudante, retirar la motocultivadora de la jaula de embalaje.

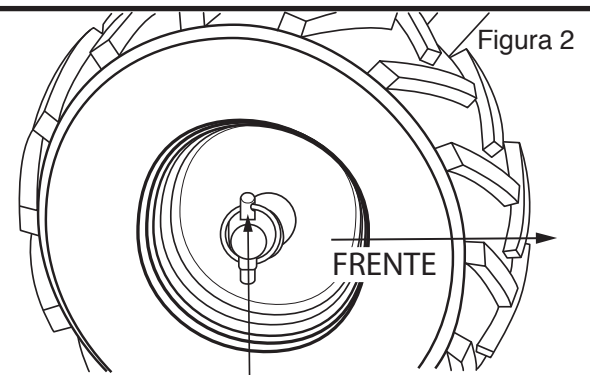


Figura 2
Pasador de seguridad de rueda en posición de funcionamiento de motocultivadora (agujeros del cubo de rueda y del eje)

B Instrucciones de montaje

Excepto por unas cuantas piezas, la motocultivadora viene completamente montada. Las instrucciones siguientes ayudan a completar el montaje de la motocultivadora.

INSTALAR LAS RUEDAS (véase la figura 2)

1. Retirar los pasadores de seguridad de los cubos de las ruedas.
2. Las ruedas de la motocultivadora son direccionales. Para un rendimiento óptimo, instalar las ruedas con la banda de rodamiento orientada en la dirección mostrada.
3. Deslizar el cubo de la rueda sobre el eje de las ruedas.
4. Alinear el agujero del cubo de la rueda con el agujero en el eje e insertar el pasador de seguridad.
5. Girar el aro del pasador de seguridad para asegurar el pasador en posición.

INSTALAR LAS AZADAS

1. Verificar la orientación de la hoja de las azadas. El borde cortante afilado debe estar orientado en dirección a la rotación de las azadas de la motocultivadora.
2. Instalar los trenes de azadas en cada eje de azadas. Asegurarlos con pernos M10 x 50 mm y tuercas de seguridad. No apretar excesivamente el perno de las azadas. Esto podría dañar el tren de azadas y dificultar el retiro del tren de azadas del eje de azadas.

INSTALAR LA CUBIERTA DE AZADAS

1. Retirar los 4 pernos instalados en los soportes de la cubierta de las azadas, sobre la carcasa de la transmisión.
2. Colocar la cubierta de las azadas en el soporte y asegurarla con los pernos retirados en el paso 1. anterior.
3. Instalar los resguardos laterales de las azadas con los herrajes provistos.

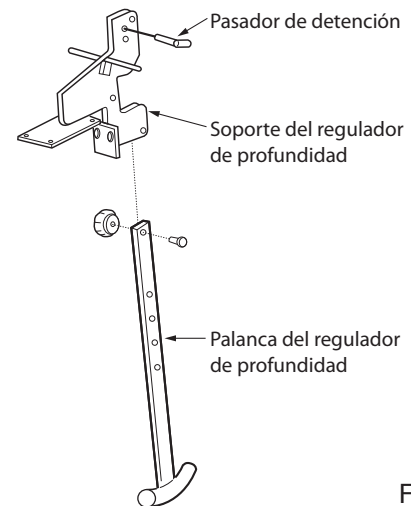
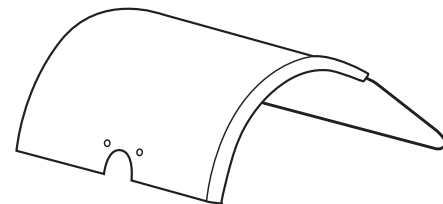


Figura 3

INSTALAR EL REGULADOR DE PROFUNDIDAD

(véase la figura 3)

1. Retirar el perno y la perilla de la palanca del regulador de profundidad.
2. Insertar el regulador de profundidad en la parte inferior del soporte del regulador de profundidad.
3. Insertar el pasador de detención a través del soporte y la palanca.
4. Instalar el perno y la perilla retirados en 1. en la palanca del regulador de profundidad.

Montaje (Continuación)

• Conserve todas las instrucciones



Si se necesita ayuda o falta alguna pieza, LLAMAR GRATUITAMENTE AL: 1-800-737-2112.

INSTALAR EL ASIDERO INFERIOR (véase la figura 4)

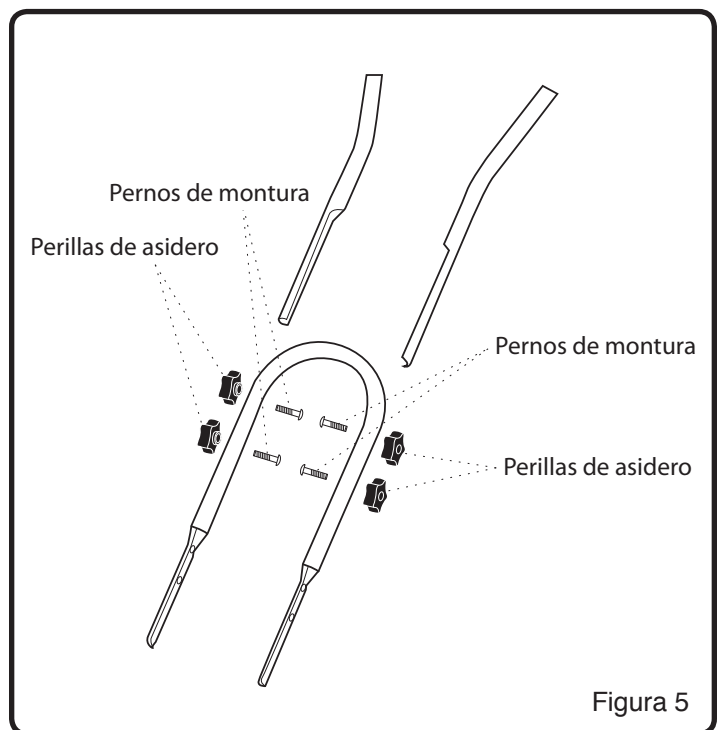
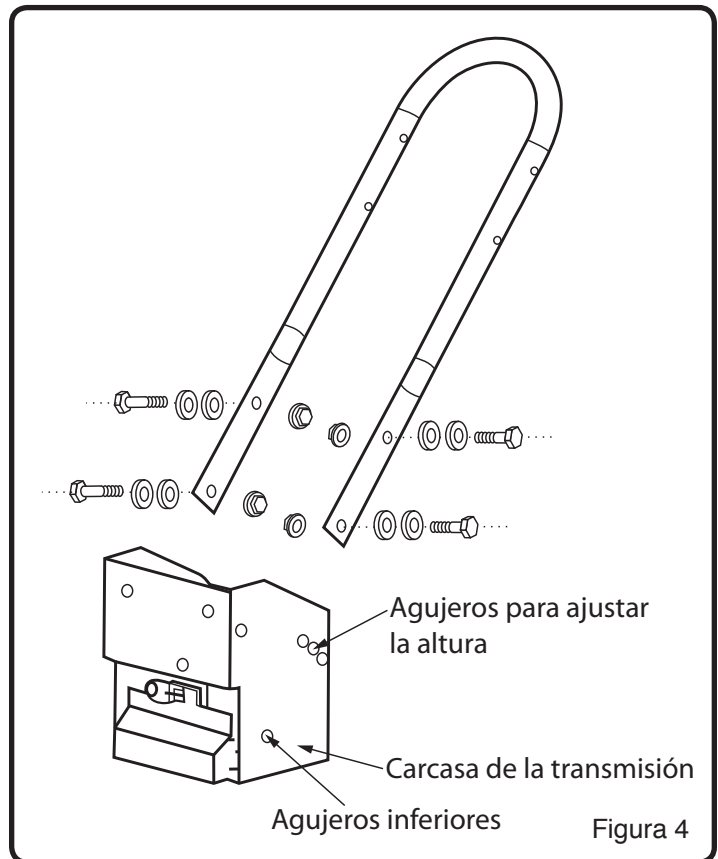
1. Aflojar los pernos del asidero inferior.
2. Alinear los agujeros del asidero inferior con los agujeros medios de ajuste de la altura en la carcasa de la transmisión e instalar los pernos de cabeza con reborde M10 x 25 mm, las arandelas de seguridad y las tuercas. Apretar los cuatro pernos en este paso.

INSTALAR EL ASIDERO SUPERIOR (véase la figura 5)

1. Deslizar el asidero superior sobre el asidero inferior y alinear los agujeros.
2. Insertar los pernos curvos en los agujeros como se muestra y asegurarlos con las perillas del asidero.
3. Apretar las perillas ajustadamente.

INSTALAR EL ASIDERO FRONTAL (véase la figura 1)

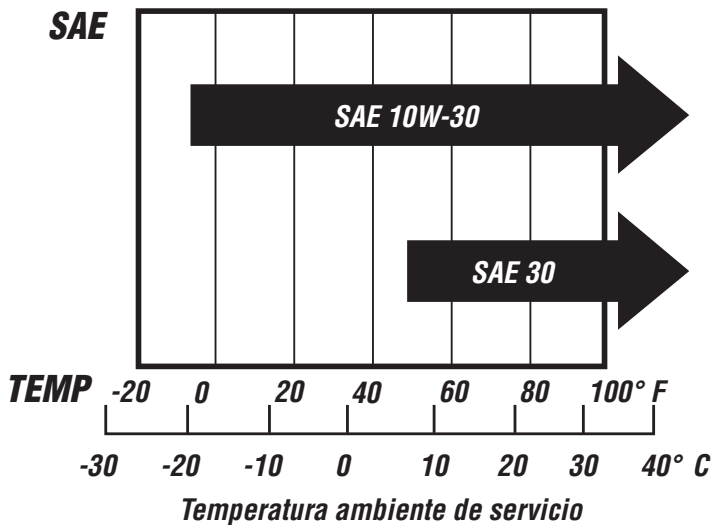
1. Deslizar el asidero frontal sobre el exterior del bastidor de base y alinear los agujeros.
2. Instalar los cuatro pernos M8 x 25 mm, arandelas planas y contratuercas; apretarlos ajustadamente.



Preparación del motor

• Conserve todas las instrucciones

A Aceite para motor



⚠ CUIDADO

El motor se envía sin aceite. El no agregar aceite causará daños severos al motor.

Se incluye un envase de aceite de motor SAE 30 con la motocultivadora. Consultar el gráfico a la derecha para obtener información sobre tipos alternativos de aceite a usarse a diferentes temperaturas. Siempre usar un aceite detergente de alta calidad clasificado «Para servicio, SG, SH, SJ» o superior. No usar aditivos especiales.

⚠ CUIDADO

Siempre usar el tipo de aceite recomendado. El uso de aceite sucio o tipo de aceite incorrecto, tal como aceite para motores de dos tiempos, acortará la vida útil del motor.

NOTA: La capacidad de aceite del motor es 600 ml. Para el primer llenado, sencillamente verter todo el contenido del envase de aceite provisto al cárter del cigüeñal.

CÓMO REVISAR EL NIVEL DE ACEITE Y LLENAR AL NIVEL APROPIADO

⚠ ADVERTENCIA

Antes de revisar el aceite, asegurarse que el motor esté apagado y que se ha desconectado de la bujía el cable de la misma.

1. Colocar la motocultivadora en una superficie a nivel y asegurarse que la palanca del regulador de profundidad esté en una posición tal que el bastidor principal de la motocultivadora esté a nivel. (Véase la figura 6)
2. Retirar la tapa de llenado / varilla medidora del nivel de aceite y enjuagarla con un paño. (Véase la figura 6)
3. Insertar la varilla medidora del nivel de aceite en la boquilla de llenado pero NO enroscarla. Retirarla y revisar el nivel del aceite.
4. Al alcanzarse el nivel lleno de aceite, el aceite llegará al límite superior de la varilla medidora. Si el nivel de aceite está cerca del límite inferior o por debajo del mismo, se ha de agregar aceite. (Véase la figura 7)
5. Agregar aceite lentamente hasta que el nivel del aceite

llegue al límite superior de la varilla medidora. Utilizar un embudo o boquilla para evitar derrames.

⚠ CUIDADO

Revisar el nivel del aceite con frecuencia durante el llenado. NO SOBRELLENAR. NO SUBLLENAR. Hacer marchar el motor con un nivel inadecuado de aceite causará daños severos al motor.

6. Colocar la varilla medidora nuevamente en posición y apretarla.

7. Limpiar todo aceite derramado.

NOTA: LA CAJA DE LA TRANSMISIÓN VIENE DE FÁBRICA CON LA CANTIDAD Y TIPO CORRECTOS DE ACEITE PARA TRANSMISIÓN. (Véase la figura 8)

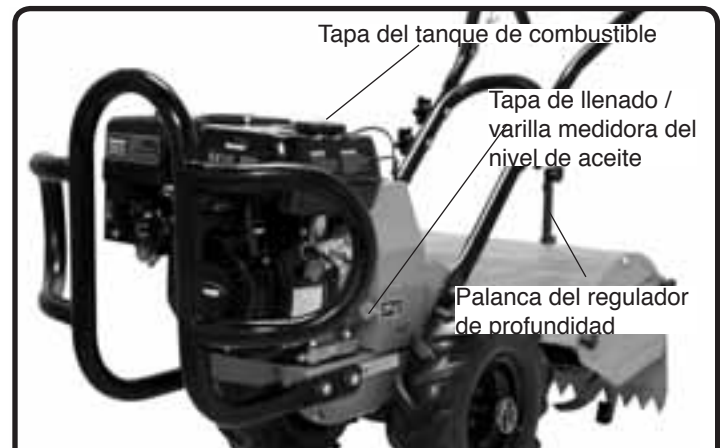


Figura 6

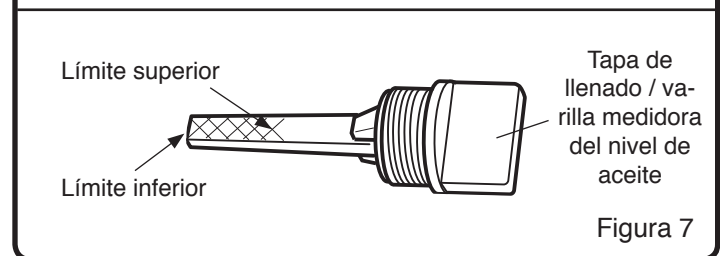


Figura 7

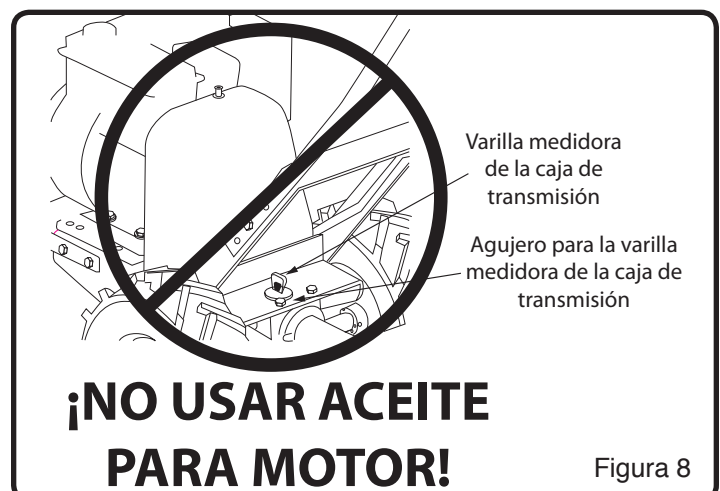


Figura 8

Operación

• Conserve todas las instrucciones

A Inspección prearranque

1. Asegurarse que todas las protecciones de seguridad estén en posición y que todas las tuercas y pernos estén seguros.
2. Verificar el nivel del aceite en el cárter del cigüeñal. Consultar el procedimiento y las especificaciones en el manual del motor.
3. Inspeccionar el estado del filtro de aire. Consultar el procedimiento en el manual del motor.
4. Revisar el nivel de combustible. Llenar el tanque de combustible, como máximo, hasta 2.5 cm de la parte superior del tanque para dejar espacio para expansión. Consultar las recomendaciones sobre combustible en el manual del motor.
5. Verificar que el cable de la bujía esté conectado a ésta y que la bujía esté apretada de manera segura.
6. Revisar la posición de las ruedas y de los seguros de las ruedas.
7. Revisar la posición de la palanca del regulador de profundidad
8. Examinar debajo y alrededor del motor para determinar si hay fugas de aceite o combustible.
9. Inspeccionar las mangueras de combustible para determinar si están apretadas correctamente y si hay fugas de combustible.
10. Buscar señales de daños en el motor.
11. Retirar residuos excesivos del área del silenciador y del arrancador de retroceso.

IMPORTANTE: EL MOTOR SE ENVÍA DE FÁBRICA SIN ACEITE. SE HA DE AGREGAR ACEITE ANTES DE ARRANCARSE EL MOTOR.

⚠ CUIDADO

NO ARRANCAR LA MOTOCULTIVADORA SI NO HASTA HABERSE LEÍDO EL MANUAL ENVIADO CON LA MOTOCULTIVADORA, Y LAS SECCIONES CONTROLES, AJUSTES Y SEGURIDAD DE LA MOTOCULTIVADORA EN ESTE MANUAL. SI YA SE HAN LEÍDO DICHAS SECCIONES, SEGUIR LOS PASOS A CONTINUACIÓN PARA ARRANCAR LA MOTOCULTIVADORA. SIEMPRE REVISAR ESTA LISTA DE VERIFICACIÓN ANTES DE ARRANCAR EL MOTOR.

⚠ ADVERTENCIA

LA GASOLINA ES SUMAMENTE INFLAMABLE Y SE LA HA DE MANIPULAR CON CUIDADO. JAMÁS LLENAR EL TANQUE CUANDO EL MOTOR ESTÉ CALIENTE O EN MARCHA. SIEMPRE LLENAR EL TANQUE EN ESPACIOS EXTERIORES.

ES PRECISO QUE LAS RUEDAS ESTÉN SIEMPRE ASEGURADAS EN LA POSICIÓN DE LABRANZA CUANDO EL MOTOR ESTÉ EN MARCHA. NO OPERAR LA MOTOCULTIVADORA CON LOS SEGUROS DE LAS RUEDAS NO INSTALADOS. SIEMPRE FIJAR LAS RUEDAS EN LA POSICIÓN DE LABRANZA ANTES DE ARRANCAR EL MOTOR.

SIEMPRE COLOCAR LA PALANCA DEL REGULADOR DE PROFUNDIDAD EN LA POSICIÓN PARA TRANSPORTE ANTES DE ARRANCARSE EL MOTOR. LAS AZADAS NO DEBEN ESTAR EN CONTACTO CON EL TERRENO.

⚠ PELIGRO

SIEMPRE MANTENER LAS MANOS Y LOS PIES FUERA DEL ALCANCE DE PIEZAS ROTATIVAS DE LA MÁQUINA.

B Arranque

Los controles necesarios para arrancar y operar la motocultivadora están ubicados en el motor y están marcados con el ícono para el estrangulador, lento y rápido para el regulador, y la válvula de alimentación/corte de combustible. En el manual del fabricante del motor, enviado con cada motocultivadora, se pueden encontrar una descripción detallada del funcionamiento del motor y todas las precauciones y procedimientos pertinentes.

ARRANQUES EN FRÍO

1. Colocar el interruptor del motor en la posición de encendido («ON»).
2. Abrir la válvula del combustible.
3. Mover la palanca del estrangulador a la posición de estrangulación total a lado izquierdo.
4. Mover la palanca del regulador a la posición «Start» («Arranque») o «Fast» («Rápido»).
5. Tirar del cordón de arranque lentamente una vez; dejar que retroceda normalmente.
6. Tirar del cordón de arranque rápidamente y dejar que éste retroceda normalmente.
7. Cuando el motor arranque, mover gradualmente la palanca del estrangulador a la posición «no choke» («sin estrangulación») y aumentar la velocidad del regulador.

REARRANQUE DE UN MOTOR EN CALIENTE

El re arranque de un motor que ya está caliente por el funcionamiento previo normalmente no necesita el uso del estrangulador.

1. Mover la palanca del regulador a la posición «Start» («Arranque») o «Fast» («Rápido»).
2. Tirar del cordón de arranque rápidamente hasta que el motor arranque. Dejar que el cordón retroceda normalmente. Repetir hasta que el motor arranque.
3. Ajustar la velocidad del regulador a «fast» («rápida») para un rendimiento óptimo de la motocultivadora.

Operación (Continuación)

• Conserve todas las instrucciones

C Régimen de marcha en vacío

Utilizar la posición «low» («baja») de la palanca del regulador para reducir el esfuerzo sobre el motor cuando no se esté labrando. Reducir la velocidad del motor a «idle» («marcha en vacío») ayuda a prolongar la vida útil del motor, así como también a conservar combustible y reducir el nivel de ruido del equipo.

D Velocidad de operación

Para labrado normal, colocar la palanca del regulador en «fast» («rápida»).

E Apagado

Para parar el motor en cualquier momento, colocar el interruptor de ENCENDIDO/APAGADO (ON/OFF) del motor a la posición de apagado (off). Para detener las ruedas y las azadas en cualquier momento, soltar las palancas de control motriz seguro a la posición neutra.

F Labranza

1. Ajustar la palanca del regulador de profundidad a la profundidad de labranza deseada.

⚠ ADVERTENCIA

NOTA: Elevar la palanca del regulador de profundidad un agujero a la vez y probar el funcionamiento de la motocultivadora después de cada elevación. ¡La elevación excesiva del regulador de profundidad puede dar lugar a la pérdida de control de la motocultivadora!

2. Mover el control del regulador a «fast» («rápida»).
3. Empujar la palanca de control motriz seguro («FORWARD» [«AVANCE»]) hacia abajo para colocar la motocultivadora en «forward» («avance»); esto engranará las ruedas y las azadas.

NOTA: Se puede reducir la velocidad de marcha de avance de la motocultivadora en cualquier momento mediante presión leve descendente sobre las barras del asidero. Se puede parar la motocultivadora al soltar las palancas de control motriz seguro a la posición neutra.

⚠ CUIDADO

SIEMPRE OPRIMIR LAS PALANCAS DE MARCHA DE AVANCE O RETROCESO COMPLETAMENTE CONTRA LOS ASIDEROS DE LAS BARRAS DEL ASIDERO. NO HACERLO PODRÍA CAUSAR DESGASTE EXCESIVO DE LA CORREA DE IMPULSIÓN Y FALLO PREMATURO DE LA CORREA DE IMPULSIÓN.

⚠ ADVERTENCIA

LA TEMPERATURA DEL SILENCIADOR Y ÁREAS CERCANAS PODRÍA REBASAR 65.6 °C (150 °F). EVITAR ESTAS ÁREAS.

NO MOVER EL CONTROL DEL ESTRANGULADOR PARA ESTRANGULAR EL MOTOR PARA PARARLO; PODRÍA OCURRIR PETARDEO O SUFRIR DAÑOS EL MOTOR.

PARA DETENER LAS RUEDAS Y LAS AZADAS EN CUALQUIER MOMENTO, SOLTAR LAS PALANCAS DE CONTROL MOTRIZ SEGURO A LA POSICIÓN NEUTRA.

SIEMPRE SOLTAR LAS PALANCAS DE CONTROL MOTRIZ SEGURO A LA POSICIÓN NEUTRA Y PARAR EL MOTOR ANTES DE AJUSTAR LA PROFUNDIDAD DE LA PALANCA DEL REGULADOR.

⚠ PELIGRO

EL MOTOR Y LAS PIEZAS CIRCUNDANTES SE VUELVEN SUMAMENTE CALIENTES DURANTE EL USO NORMAL Y CAUSAN LESIONES GRAVES POR QUEMADURA SI SE TOCAN ANTES DE HABER ENFRIADO EL MOTOR. DEJAR QUE EL MOTOR ENFRÍE COMPLETAMENTE ANTES DE TOCAR ESTAS SUPERFICIES CALIENTES.

IMPORTANTE: PRACTICAR LA OPERACIÓN DE LOS CONTROLES Y LAS AZADAS CON LAS AZADAS SIN CONTACTO CON EL TERRENO ANTES DE COMENZAR LA LABRANZA. ES IMPORTANTE SABER CÓMO USAR LA MOTOCULTIVADORA CORRECTAMENTE, MANTENER EL CONTROL DE LA MISMA EN TODO MOMENTO, PARAR LA ROTACIÓN DE LAS AZADAS Y RUEDAS, Y PARAR EL MOTOR SI FUERA NECESARIO. SI NO SE SABE CÓMO HACER ÉSTAS, LÉANSE LAS SECCIONES SOBRE CONTROLES, AJUSTES Y SEGURIDAD ANTES DE PROCEDER.

Operación (Continuación)

• Conserve todas las instrucciones

G Palancas de control motriz seguro

⚠ CUIDADO

NO ACCIONAR LAS PALANCAS DE CONTROL MOTRIZ SEGURO «FORWARD» («AVANCE») Y «REVERSE» («RETROCESO») AL MISMO TIEMPO.

ESTA INFORMACIÓN SE PROPORCIONA AQUÍ SOLO PARA INTRODUCIR LOS CONTROLES. NO ARRANCAR EL MOTOR TODAVÍA. LAS INSTRUCCIONES DE ARRANQUE Y OPERACIÓN APARECEN EN LA PÁGINA 11. LÉASE ESTA SECCIÓN Y TODAS LAS INSTRUCCIONES SOBRE OPERACIÓN Y SEGURIDAD ANTES DE ARRANCAR LA MOTOCULTIVADORA.

- COMO PRECAUCIÓN DE SEGURIDAD, LAS PALANCAS DE CONTROL MOTRIZ SEGURO NO SE ENGANCHAN NI EN LA POSICIÓN DE AVANCE NI EN LA DE RETROCESO.

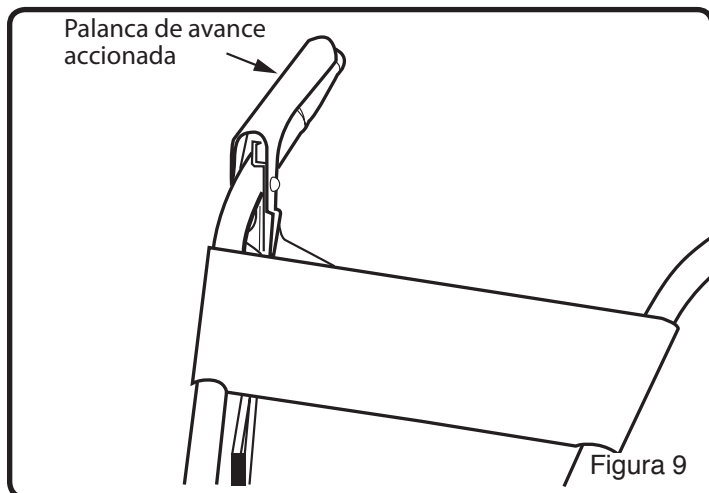
⚠ ADVERTENCIA

NO FIJAR LAS PALANCAS DE MARCHA DE AVANCE O DE RETROCESO EN LA POSICIÓN DE IMPULSIÓN POR NINGÚN OTRO MEDIO QUE LA MANO DERECHA DEL OPERADOR. NO ATAR NI ASEGURAR DE NINGUNA OTRA MANERA LAS PALANCAS EN LA POSICIÓN DE IMPULSIÓN.

- PARA DETENER LAS RUEDAS Y LAS AZADAS EN CUALQUIER MOMENTO, SOLTAR LAS PALANCAS DE CONTROL MOTRIZ SEGURO O SOLTAR EL ASIDERO DEL RETROCESO.

PALANCA DE AVANCE (véase la figura 9)

Engrana las ruedas y azadas en marcha de avance. Empujar hacia abajo la palanca de control motriz seguro (**AVANCE**) hacia la barra del asidero engrana las ruedas y las azadas. Soltar la palanca para las ruedas y las azadas produce el paro completo de la motocultivadora.

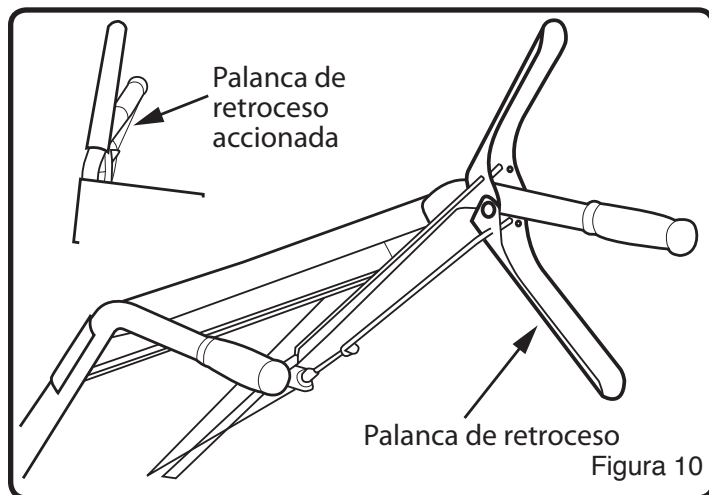


PALANCA DE RETROCESO (véase la figura 10)

Engrana las ruedas y las azadas en marcha de retroceso.

El tirar de la palanca de control motriz seguro (**RETROCESO**) hacia la barra del asidero invierte la marcha de la motocultivadora.

Soltar la palanca detiene las ruedas y las azadas.



Operación (Continuación)

• Conserve todas las instrucciones

H Ajustes

⚠ ADVERTENCIA

EL MOTOR DEBE ESTAR APAGADO ANTES DE AJUSTARSE CUALQUIER CONTROL.

SE DEBE TENER SUMO CUIDADO AL OPERARSE LA MOTOCULTIVADORA EN RETROCESO.



PASADORES DE SEGURIDAD DE LAS RUEDAS

(véase las figuras 2 y 11)

Colocar las ruedas en la posición de labranza.

1. Retirar el pasador de seguridad. Alinear el agujero en el eje con el agujero en el cubo de la rueda.
2. Insertar el pasador de seguridad a través de los agujeros, girar el aro del pasador de seguridad para asegurar el pasador al eje.
3. Asegurar firmemente la rueda y el eje entre sí antes de labrar.
4. Repetir para la otra rueda.

⚠ ADVERTENCIA

Siempre tener ambos pasadores de seguridad para ruedas dentro o fuera. No operar la motocultivadora con solo una rueda asegurada.

Para colocar las ruedas en la posición de rueda libre:

1. Retirar el pasador de seguridad. Deslizar la rueda hacia la máquina.
2. Insertar el pasador sólo en el eje, girar el aro del pasador de seguridad sobre el eje.
3. La rueda debe girar libremente sobre el eje.

AJUSTE DE LA ALTURA DE LA BARRA DEL ASIDERO

(véase la figura 4)

Ajuste de la altura de la barra del asidero.

La altura ideal de la barra del asidero varía con la altura del operador y la profundidad de labranza. Para ajustar la altura de la barra del asidero:

1. Desenroscar las tuercas y retirar los pernos superiores a cada lado.
2. Aflojar los pernos inferiores. No retirarlos.
3. Alinear la barra del asidero a los agujeros deseados en el soporte de la barra del asidero inferior.
4. Instalar los pernos y las tuercas. Apretar de nuevo y ajustadamente los cuatro pernos.

PALANCA DEL REGULADOR DE PROFUNDIDAD

(véase la figura 3)

La profundidad de labranza está controlada por la altura de la palanca del regulador de la profundidad. Para ajustar la profundidad de labranza:

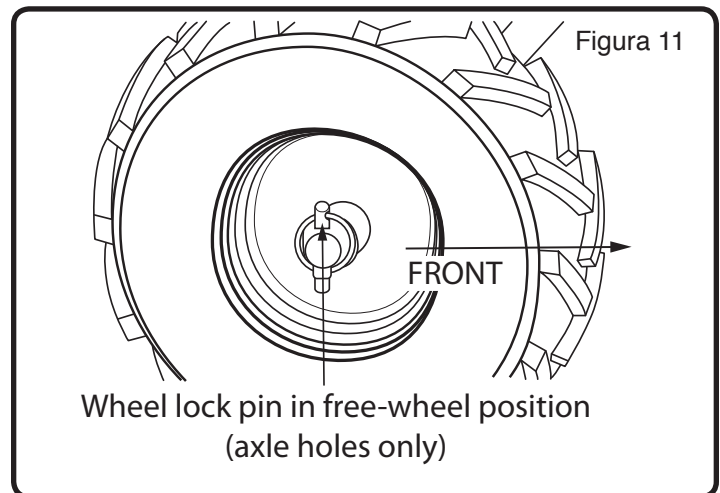
1. Retirar el pasador de detención.
2. Elevar la palanca del regulador de la profundidad para colocar las azadas a la profundidad de labranza escogida.
3. Alinear el agujero en la palanca del regulador de la profundidad con el agujero en el soporte del regulador de la profundidad y reinstalar el pasador de detención.

Palanca del regulador de la profundidad abajo = labranza menos profunda.

Colocar el pasador de detención en el agujero superior de la palanca del regulador de la profundidad para la labranza menos profunda posible.

Palanca del regulador de la profundidad arriba = labranza más profunda.

Colocar el pasador de detención en el agujero inferior de la palanca del regulador de la profundidad para la labranza más profunda posible.



⚠ ADVERTENCIA

NO AJUSTAR LA PROFUNDIDAD DE LABRANZA A MENOS QUE LAS PALANCAS DE CONTROL MOTRIZ SEGURO SE SUELTEN A LA POSICIÓN NEUTRA.

SIEMPRE CONFIGURAR LA PALANCA DEL REGULADOR DE LA PROFUNDIDAD EN LA POSICIÓN DE TRANSPORTE ANTES DE ARRANCAR EL MOTOR; ES DECIR, COLOCAR EL PASADOR DE DETENCIÓN EN EL AGUJERO MÁS ALTO DE LA PALANCA DEL REGULADOR DE LA PROFUNDIDAD.

Operación (Continuación)

• Conserve todas las instrucciones

I Ajustes (continuación)

AJUSTE DE LA TENSIÓN DE LA CORREA

(véase la figura 12)

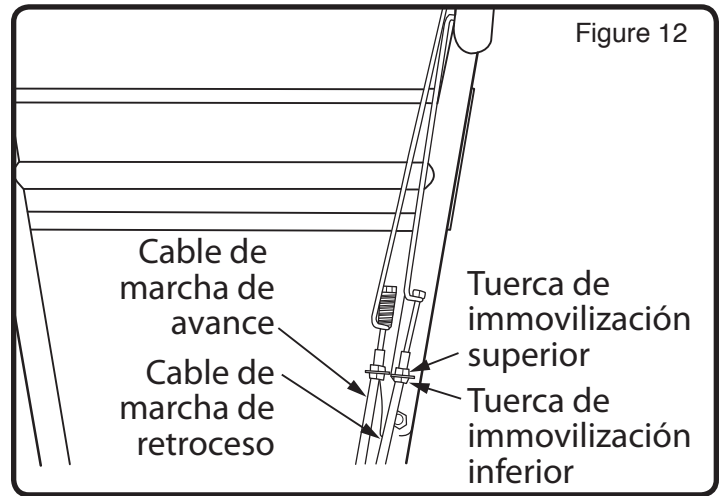
La tensión correcta de la correa es crítica para un buen rendimiento. Después de media hora de funcionamiento, se podría tener que ajustar todos los cables debido al estiramiento inicial. Sucesivamente, revisar la tensión después de cada 2 horas de operación.

PARA AUMENTAR LA TENSIÓN DE LA CORREA

1. Aflojar la tuerca de inmovilización superior. Girar la tuerca en el cable superior en incrementos de 1/8".
2. Apretar la tuerca de inmovilización inferior.
3. Verificar el ajuste.

PARA REDUCIR LA TENSIÓN DE LA CORREA

1. Aflojar la tuerca de inmovilización superior. Girar la tuerca en el cable superior en incrementos de 1/8".
2. Apretar la tuerca de inmovilización inferior.
3. Verificar el ajuste.



Se puede repetir este procedimiento hasta que los pernos de ajuste del conducto estén completamente ajustados. Si ya no se pueden efectuar más ajustes, podría ser necesario cambiar la correa.

J Consejos de labranza

La clave para una labranza exitosa es comenzar con un corte poco profundo en la primera pasada, y luego, aumentar de dos y medio a cinco centímetros (una a dos pulgadas) en cada pasada sucesiva.

- La profundidad de labranza varía según las condiciones del terreno.
- Al comenzar a labrarse en terreno no trabajado previamente o en un suelo sumamente duro, colocar el pasador de detención en el agujero más alto de la palanca del regulador de la profundidad (seguir las instrucciones bajo la sección Labranza). Esto permitirá una labranza poco profunda. Con la estaca de arrastre en esta posición, efectuar varias pasadas livianas sobre el área a labrarse. Cambiar la configuración para mayores profundidades en pasadas sucesivas.
- Si la motocultivadora salta o patina incontrolablemente, bajar la estaca de arrastre mediante la colocación del pasador de detención en un agujero más alto. Esto dará lugar a una labranza menos profunda. Sujetar las barras del asidero firmemente para controlar sacudidas repentinas.
- Si maleza, pasto alto, enredaderas u otros materiales obstruyen o atascan las azadas, invertir la marcha de la motocultivadora para desenrollar la vegetación.

K Consejos de cultivo

Si se planea usar la motocultivadora para cultivar:

- Plantar filas con distancia de 51 a 56 cm (20 a 22") de centro a centro para virar con facilidad.
- Colocar la palanca del regulador de profundidad con el pasador de detención en uno de los agujeros más altos. Esto permitirá el cultivo poco profundo necesario para virar sobre maleza y desmenuzar y airear el suelo.

⚠ ADVERTENCIA

Inmediatamente soltar las palancas de control motriz seguro si las azadas se atascan o si se golpea algún objeto extraño. Con las palancas de control motriz en la posición neutra, parar el motor. Desconectar el cable de la bujía. Cuando las azadas hayan parado, retirar los objetos extraños y determinar si hay daños.

⚠ ADVERTENCIA

SE HA DE TENER SUMO CUIDADO AL SELECCIONARSE LA PROFUNDIDAD DE LABRANZA. SI SE INTENTA LABRAR A DEMASIADA PROFUNDIDAD PARA LAS CONDICIONES DEL SUELO, ES DECIR, CON LA PALANCA DEL REGULADOR DE PROFUNDIDAD EN UNA POSICIÓN DEMASIADO ALTA, PODRÍA HABER PÉRDIDA DEL CONTROL.

SI SE RETIRA MATERIAL DE LAS AZADAS MANUALMENTE, PARAR EL MOTOR Y RETIRAR EL CABLE DE LA BUJÍA PRIMERO.

Mantenimiento

• Conserve todas las instrucciones

A Programa de mantenimiento

⚠ ADVERTENCIA

Antes de cualquier tarea de mantenimiento, apagar el motor y retirar de la bujía el cable de ésta para evitar un arranque accidental y lesiones graves.

IMPORTANTE: La garantía de esta motocultivadora no cubre elementos que se han visto sujetos a uso indebido o negligencia del operador. Para recibir el valor completo de la garantía, el operador ha de mantener la motocultivadora como se indica en este manual y únicamente ha de usar piezas de repuesto genuinas. En la tabla siguiente se detallan las actividades del mantenimiento periódico necesario.

TABLA DE PROGRAMA DE MANTENIMIENTO PERIÓDICO

<i>Registros de servicio- Anotar las fechas a medida que se lleve a cabo el servicio normal</i>	<i>Antes de cada uso</i>	<i>Después de cada 10 horas de uso</i>	<i>Después de cada 25 horas de uso</i>	<i>Después de cada 50 horas de uso</i>	<i>Después de cada 100 horas de uso</i>	<i>Antes de cada tem- porada</i>	<i>Antes del almace- namiento</i>	<i>Véase nota abajo</i>
Revisar el nivel del aceite de motor, llenar al nivel apropiado	✓					✓		
Revisar la conexión de AMBOS conectores de los cables de extinción	✓					✓		
Limpiar residuos de la unidad	✓					✓	✓	
Lubricar todos los puntos de giro		✓				✓	✓	
Revisar el apriete de los sujetadores		✓				✓		1
Revisar las correas de impulsión Reemplazarlas si fuera necesario		✓				✓		
Revisar si hay desgaste o daños en las azadas Reemplazarlas si fuera necesario		✓				✓		
Revisar la tubería del combustible Reemplazarlas si fuera necesario			✓			✓		
Lubricar los ejes de las ruedas			✓			✓	✓	
Revisar la bujía Reemplazarlas si fuera necesario			✓			✓		
Cambiar el aceite del motor				✓		✓	✓	2,3
Limpiar el filtro de aire Reemplazarlas si fuera necesario			✓			✓		4
Reemplazar la bujía					✓			
Limpiar los depósitos de combustión del cilindro, pistón y válvulas					✓			
Revisar el aceite de la transmisión						✓		

⚠ CUIDADO IMPORTANTES sobre el programa de mantenimiento

1. Revisar nuevamente el apriete de todos los sujetadores después de las primeras 2 horas de uso inicial
2. Cambiar el aceite del motor después de las primeras 5 a 8 horas de uso inicial
3. Cambiar el aceite del motor cada 25 horas si se está operando bajo servicio pesado o en altas temperaturas
4. Limpiar el filtro de aire cada 10 horas si se está operando bajo condiciones pulvígenas.

⚠ ADVERTENCIA

Utilizar sólo piezas de repuesto GENUINAS. Otras piezas podrían dañar la unidad o causar lesiones.

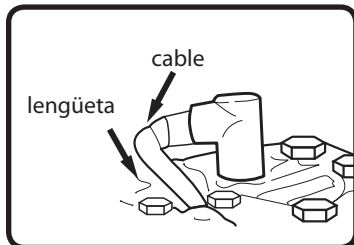
Llame sin costo al: 1-800-737-2112

Mantenimiento (Continuación)

• Conserve todas las instrucciones

B Mantenimiento menor de la motocultivadora

La información siguiente ayudará a efectuar las revisiones necesarias y llevar a cabo los procedimientos requeridos para seguir las recomendaciones del cuidado normal provistas para la motocultivadora. Si se prefiere, el concesionario local autorizado puede efectuar estas revisiones y llevar a cabo los procedimientos requeridos.



⚠ ADVERTENCIA

PARA EVITAR UN ARRANQUE ACCIDENTAL:

EL MOTOR HA DE ESTAR APAGADO Y FRÍO; EL CABLE DE LA BUJÍA HA DE ESTAR DESCONECTADO Y SEPARADO DE MANERA SEGURA DE LA BUJÍA ANTES DE REVISARSE Y AJUSTARSE EL MOTOR O EL EQUIPO.

CAMBIO DE CORREAS DE AVANCE/RETROCESO

(Véanse las figuras 12 y 13)

1. Apagar el motor. El motor ha de estar completamente frío antes de proceder.
2. Retirar el cable de la bujía y separarlo de manera segura de la bujía.
3. Aflojar la tuerca de inmovilización inferior del cable de marcha de avance y del de retroceso para reducir la tensión de la correa.
4. Retirar los resguardos superior e inferior de la correa.
5. Para retirar la correa motriz de retroceso:
 - a. Retirar la polea guía de la correa de retroceso.
 - b. Deslizar la correa para librarla de las guías de la correa de retroceso y de la polea del motor.
 - c. Tirar de la correa hacia abajo y alejarla de la polea de transmisión.
6. Para retirar la correa motriz de avance:
 - a. Retirar los dos prisioneros guía de la correa de avance y el conjunto de la polea guía de la correa de avance.
 - b. Deslizar la correa para librarla de la polea del motor.
 - c. Tirar de la correa hacia abajo y alejarla de la polea de transmisión.
7. Para instalar la correa motriz de avance:
 - a. Insertar la correa por debajo de la unidad y sobre la porción posterior de la polea del motor.
 - b. Colocar el bucle inferior de la correa alrededor de la porción trasera de la polea de transmisión.
 - c. Instalar nuevamente los dos prisioneros guía de la correa de avance y el conjunto de la polea guía de la correa de avance.
8. Para instalar la correa motriz de retroceso:
 - a. Insertar la correa por debajo de la unidad y sobre la polea guía de la correa de retroceso.
 - b. Colocar el bucle inferior de la correa alrededor de la porción delantera de la polea de transmisión.
 - c. Reinstalar la polea guía de la correa de retroceso en el soporte de la polea guía de la correa de retroceso. La correa no debe pasar sobre la polea del motor. Asegurarse de que la correa esté dentro de los prisioneros guía de la correa de retroceso.

9. Apretar la tuerca de inmovilización inferior de la marcha de avance y del retroceso.
10. Revisar la tensión de la correa. Con las palancas motrices desengranadas, las correas deben estar holgadas.
11. Reinstalar los resguardos superior e inferior de la correa.
12. Reinstalar el cable de la bujía a la bujía.
13. Seguir las instrucciones de operación: arrancar el motor y accionar la palanca motriz de avance para asegurarse de que el ajuste del cable y la tensión de la correa sean apropiados. Consúltese la sección Ajuste de la tensión si fuera necesario ajustar el cable.
14. Arrancar el motor y accionar la palanca motriz de retroceso para asegurarse de que el ajuste del cable y la tensión de la correa sean apropiados. Consúltese la sección Ajuste de la tensión de las correas si fuera necesario ajustar el cable.

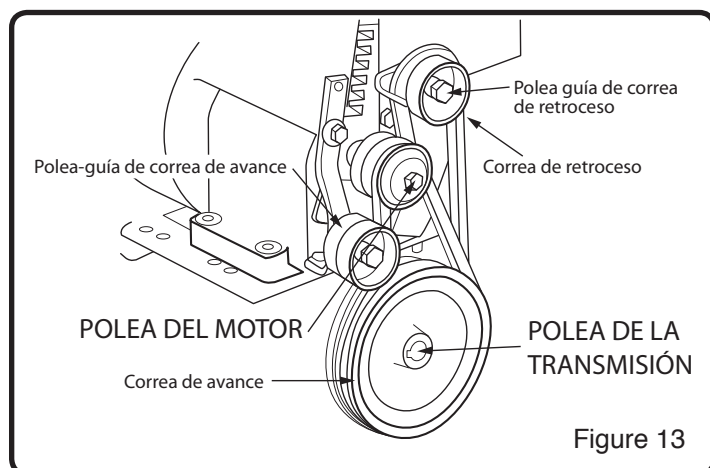


Figure 13

⚠ ADVERTENCIA

NI LAS AZADAS NI LAS RUEDAS DEBEN GIRAR CON EL MOTOR EN MARCHA, EL REGULADOR DE PROFUNDIDAD FIJADO A LA ALTURA DE TRANSPORTE (ALTURA MÁS BAJA) Y LA PALANCA MOTRIZ NO ENGRANADA.

Mantenimiento (Continuación)

• Conserve todas las instrucciones

C Mantenimiento del motor

MANTENIMIENTO DEL MOTOR

Consultar el manual del motor incluido en el paquete de piezas para obtener información sobre mantenimiento del motor. El manual del motor brinda información detallada y un programa de mantenimiento para realizar las tareas siguientes:

1. Revisar el nivel del aceite antes de cada uso o después de cada 8 horas de operación.
2. Cambiar el aceite después de las primeras 5 a 8 horas de operación. Cambiar el aceite mientras el motor está caliente. Llenar nuevamente con aceite nuevo del grado recomendado.
4. Revisar la bujía anualmente o cada 100 horas de operación.
5. Revisar el filtro de aire y limpiarlo o reemplazarlo según sea necesario.
6. Mantener el motor y las piezas limpias.
7. Revisar el motor y el equipo a menudo para determinar si hay tuercas y pernos flojos; mantener estos componentes apretados.

REVISAR O LLENAR EL CÁRTER DEL CIGÜEÑAL

Importante: el motor se envía de fábrica sin aceite. Se ha de agregar aceite antes de arrancarse el motor.

1. Agregar aceite conforme al manual del motor. No sobrellenar. Utilizar un aceite detergente limpio y de alta calidad. No mezclar aceite con gasolina. El nivel de aceite ha de ser lleno. Retirar el tapón del aceite para revisar el nivel del aceite.
2. Siempre revisar el nivel del aceite antes de arrancar el motor. Para obtener información sobre capacidad y tipo de aceite a usarse, consultar el manual del motor.

REVISAR EL ACEITE DE LA TRANSMISIÓN DE LA MOTOCULTIVADORA

Importante: La transmisión de la motocultivadora se envía de fábrica con la cantidad correcta de aceite. Al cambiarse el aceite, la transmisión de la motocultivadora acepta de 18 a 22 onzas fluidas. No sobrellenarla.

Revisar el nivel del aceite anualmente. Para revisar el nivel del aceite:

1. Mover la motocultivadora a una superficie a nivel.
2. Retirar la varilla medidora del nivel de aceite ubicada entre los soportes de montaje de las barras del asidero en el soporte del motor. Si el nivel de aceite no entra en contacto con la varilla medidora, llenar con aceite al nivel recomendado.
3. Reinstalar la varilla medidora del nivel de aceite en el agujero de llenado.
4. Nótese que la transmisión de las ruedas y la transmisión del tren de azadas posterior tienen un contenedor común. Cuando se agrega aceite a la transmisión frontal, se ha de esperar un período corto de tiempo para que el aceite fluya hacia atrás y se distribuya por igual al frente y atrás. En un terreno a nivel, la varilla medidora dará la lectura correcta para ambas unidades de engranajes.

REVISAR LA PRESIÓN DE LAS LLANTAS

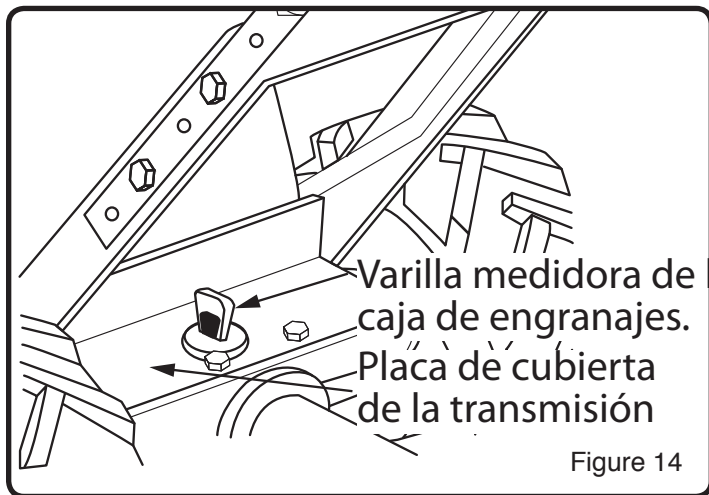
La presión recomendada de las llantas es 2.1 bar (30 psi). Si las llantas tienen presión desigual, la motocultivadora tirará hacia un lado.

LUBRICACIÓN

La lubricación correcta de piezas mecánicas móviles es crítica para el cuidado y mantenimiento adecuados. Aceitar las piezas móviles mostradas a intervalos de 10 horas con aceite 30W.

LIMPIAR LA FLECHA DEL EJE DE AZADAS

1. Apagar el motor. El motor ha de estar frío.
2. Retirar el cable de la bujía y separarlo de manera segura de la bujía.
3. Inclinar la motocultivadora hacia el frente. Bloquear la motocultivadora en posición de modo que descansa sobre el soporte del motor y las azadas estén expuestas.
4. Retirar toda vegetación, hebras, alambre y otro material que pudiera haberse acumulado en el eje entre el juego interior de azadas y la cubierta de sello en la carcasa de la transmisión.
5. Volver la motocultivadora a la posición a nivel.
6. Reconectar el cable de la bujía.



Mantenimiento (Continuación)

• Conserve todas las instrucciones

D Cómo preparar la motocultivadora para almacenamiento

⚠ ADVERTENCIA

Jamás almacenar la motocultivadora en espacios interiores con combustible en el tanque. Jamás almacenarla en un área encerrada, con ventilación deficiente donde los vapores podrían llegar a una llama abierta, una chispa o una luz piloto como la de un horno, calentador de agua o secadora de ropa. Dejar que el motor enfríe antes de almacenarse la unidad.

⚠ ADVERTENCIA

No retirar la gasolina dentro de un edificio, cerca de un fuego o mientras se fuma. Los vapores de gasolina pueden causar una explosión o un incendio.

NOTA: Una revisión o afinado anual en un centro de servicio autorizado asegurará que la motocultivadora rinda al máximo en la temporada siguiente.

Cuando la motocultivadora se almacena durante treinta días o más, se deben seguir los pasos siguientes para asegurarse que la motocultivadora esté en buenas condiciones para la próxima temporada.

1. Dejar que el motor marche hasta acabarse la gasolina.
2. Cambiar el aceite según las instrucciones bajo «Cómo cambiar el aceite».
3. Retirar la bujía del cilindro. Verter una onza de aceite en el cilindro. Lentamente, tirar de la empuñadura del arrancador de retroceso para que el aceite proteja el cilindro. Instalar una bujía nueva en el cilindro. Tirar de la empuñadura del arrancador lentamente unas cuantas veces para distribuir el aceite. Tirar del arrancador de retroceso hasta sentirse resistencia. Esto cierra las válvulas del cilindro.

⚠ ADVERTENCIA

NO conectar el cable de la bujía a ésta al almacenarse la unidad.

4. Limpiar la motocultivadora. Retirar toda mugre, hojas, residuos, grasa, etc. de la motocultivadora, incluidos los ventiladores de enfriamiento del cilindro, los agujeros de la cubierta del arrancador de retroceso, debajo del tanque de combustible y debajo del silenciador.
5. Revisar la motocultivadora para determinar si hay piezas gastadas o dañadas. Hacer que se reemplacen las piezas dañadas si fuera necesario.
6. Apretar todo herraje flojo.
7. Aplicar lubricación según lo indique la sección Mantenimiento.
8. Colocar la unidad en un edificio que tenga buena ventilación.
9. Cubrir la motocultivadora con un material con ventilación.

Servicio técnico

Es posible que se tengan más preguntas sobre montaje, operación o mantenimiento de esta MOTOCULTIVADORA. En dicho caso, se puede contactar a nuestro Departamento de Servicio Técnico al 1-800-737-2112 (solo inglés).

También se puede escribir a:

Oficina Corporativa METL; SOLO CORRESPONDENCIA
ATTN: Technical Service – METL
6700 Wildlife Way
Long Grove, IL 60047



**Si necesita ayuda o tiene una duda,
LLAME SIN COSTO AL: 1-800-737-2112.**

Al contactarse al Departamento de Servicio Técnico, tener listos:

- Nombre
- Dirección
- Número de teléfono
- Número de modelo del producto
- Fecha de compra (incluida una copia del recibo para solicitudes por escrito)

Diagnóstico y resolución de problemas

• Conserve todas las instrucciones

PROBLEMA	CAUSA/S POSIBLE/S	SOLUCIÓN / SOLUCIONES
Dificultad para arrancar el motor	<ol style="list-style-type: none"> 1. Sin combustible 2. Interruptor del motor apagado 3. Motor no está cebado. 4. Cable de bujía desconectado 5. Bujía hollinada 6. Carburador sucio 7. Filtro de aire obstruido 8. Filtro de combustible obstruido 9. Combustible contaminado 	<ol style="list-style-type: none"> 1. Agregar combustible fresco 2. Colocar el interruptor del motor en la posición de encendido 3. Activar el estrangulador 4. Conectar el cable de la bujía a la bujía 5. Retirar la bujía. Inspeccionarla. Reemplazarla si fuera necesario. 6. Llevar la unidad a un centro de servicio autorizado para limpieza del carburador. 7. Retirar y limpiar el filtro de aire. 8. Retirar el filtro de combustible. Inspeccionarlo. Reemplazarlo si fuera necesario. 9. Drenar el tanque de combustible. Limpiarlo. Llenarlo con combustible fresco.
<p><u>Problemas del motor</u> El motor despidе humo excesivamente La marcha del motor es muy «irregular» El motor funciona erráticamente El motor no puede mantener la velocidad plena</p>	<ol style="list-style-type: none"> 1. Sin aceite de motor 2. Nivel inadecuado del aceite del motor 3. Bujía hollinada 4. Filtro de aire obstruido 5. Filtro de combustible obstruido 6. Combustible contaminado 7. Carburador desafinado 	<ol style="list-style-type: none"> 1. Agregar aceite para motor 2. Revisar el aceite del motor. Agregar o drenar aceite para motor si fuera necesario. 3. Retirar la bujía. Inspeccionarla. Reemplazarla si fuera necesario. 4. Retirar y limpiar el filtro de aire. 5. Retirar el filtro de combustible. Inspeccionarlo. Reemplazarlo si fuera necesario. 6. Drenar el tanque de combustible. Limpiar el tanque de combustible. Llenarlo con combustible fresco. 7. Llevar la unidad a un centro de servicio autorizado para ajuste del carburador.
Vibración o ruido excesivo	<ol style="list-style-type: none"> 1. Piezas flojas 2. Problemas del motor (arriba) 3. Ruido anormal o chirrido procedente de la correa. 	<ol style="list-style-type: none"> 1. Apretar todos los sujetadores 2. Consultar las soluciones para el motor (arriba) 3. Normalmente, debido a la correa/polea por el primer uso. Consulte la sección de tensión de la correa de ajuste.
Las azadas no giran	<ol style="list-style-type: none"> 1. Los residuos interfieren con las azadas 2. Azadas flojas 3. Ajuste inadecuado del cable motriz 4. Correas motrices dañadas 	<ol style="list-style-type: none"> 1. Retirar los residuos de las azadas 2. Reemplazar los pernos y tuercas de las azadas 3. Consúltese la sección «Ajuste de la tensión de las correas» para reducir la tensión de la correa 4. Cambiar las correas motrices
Las azadas continúan rotando cuando la palanca motriz no está engranada	<ol style="list-style-type: none"> 1. Ajuste inadecuado del cable motriz 2. Correas motrices dañadas 	<ol style="list-style-type: none"> 1. Consúltese la sección «Ajuste de la tensión de las correas» para reducir la tensión de la correa 2. Cambiar las correas motrices
El motor no para	Bornes del cable de extinción desconectados	Bornes del cable de extinción desconectados
Las azadas no cortan correctamente	Azadas gastadas o dañadas	Reemplazar las azadas
Paro frecuente del motor	<ol style="list-style-type: none"> 1. Velocidad o profundidad excesiva de labranza 2. Problemas de motor (arriba) 	<ol style="list-style-type: none"> 1. Labrar a un ritmo moderado. Efectuar pasadas múltiples. 2. Consultar las soluciones para el motor (arriba)

Garantía

• *Conserve todas las instrucciones*

A *Garantía limitada de la MOTOCULTIVADORA ROTATIVA CON TREN DE AZADA POSTERIO Powermate®*

Al contactar la fábrica, siempre especificar el número del modelo.

Nos reservamos el derecho de enmendar estas especificaciones en cualquier momento y sin aviso previo. La única garantía pertinente es nuestra garantía estándar por escrito. No ofrecemos ninguna otra garantía, expresa o implícita. MAT Engine Technologies, LLC garantiza que esta Motocultivadora para césped y todas las piezas de la misma, carecerán de defectos en materiales y mano de obra durante dos años (90 días para uso comercial o para unidades reacondicionadas) a partir de la fecha de compra original en un concesionario autorizado, siempre y cuando se haya dado mantenimiento adecuado al producto y se lo haya operado de conformidad con todas las instrucciones pertinentes. Se extiende esta garantía únicamente al comprador al por menor original. Se ha de presentar el contrato de venta o prueba de compra al efectuarse una reclamación bajo esta garantía. Esta garantía no cubre uso comercial, industrial o de alquiler, y asimismo, no es pertinente a piezas que no estén en su condición original debido a desgaste normal o piezas que fallan o sufren averías como resultado de uso indebido, accidente, falta de mantenimiento apropiado, manipulación imprudente y peligrosa, o alteración. Los costos de viaje, manipulación, transporte e incidentales asociados con reparaciones bajo garantía no son reembolsables bajo esta garantía y son responsabilidad del propietario. Hasta donde lo permita la ley de la jurisdicción que gobierne la venta de este producto, esta garantía expresa excluye cualesquier y toda otra garantía expresa y limita la duración de cualesquier y toda garantías implícitas, incluyendo las garantías de comerciabilidad e idoneidad para un propósito específico durante dos años a partir de la fecha de compra original, y por la presente, se limita la responsabilidad de MAT Engine Technologies, LLC al precio de compra del producto y MAT Engine Technologies, LLC no será responsable por ningún otro daño en lo absoluto, incluyendo daños incidentales

o emergentes. Algunos estados no permiten limitaciones sobre la duración de una garantía implícita, ni la exclusión o limitación de los daños emergentes, por lo cual la limitación de daños anterior podría no ser pertinente en algunos casos. Esta garantía brinda al comprador original derechos jurídicos específicos.

Para obtener información sobre esos derechos, por favor consultar las leyes estatales pertinentes.

Sede de METL - SÓLO CORRESPONDENCIA

Atención: Servicio Técnico - METL

6700 Wildlife Way

Long Grove, IL 60047

Garantía (Continuación)

• Conserve todas las instrucciones

B Garantía del sistema pro control de emisiones contaminantes

Este motor de **MAT Engine Technologies, LLC (METL, por sus siglas en inglés)** para equipo mecánico para espacios exteriores cumple el reglamento sobre emisiones contaminantes de:

Modelo Powermate® n.º	Entidad normativa
P-RTT-196MD-[E]	Agencia de Protección Ambiental de Estados Unidos ("U.S. EPA", por sus siglas en inglés)
P-RTT-196MD	Agencia de Protección Ambiental de Estados Unidos ("U.S. EPA", por sus siglas en inglés) y el Estado de California

En la medida que haya conflicto alguno entre esta Garantía pro control de emisiones contaminantes y la garantía del fabricante del equipo, prevalecerá la presente Garantía pro control de emisiones contaminantes, excepto cuando la garantía del fabricante pudiera brindar un período de garantía más prolongado. Por favor léanse cuidadosamente los derechos y obligaciones del propietario al amparo de esta garantía. Es posible que algunas secciones de la garantía no sean pertinentes al modelo específico que se haya adquirido. A menos que se haga notar específicamente lo contrario, los términos de la Garantía pro control de emisiones contaminantes serán pertinentes a todos los motores de productos cubiertos en este manual.

Derechos y obligaciones al amparo de la garantía:

La California Air Resources Board (Junta de Recursos del Aire de California), la Agencia de Protección Ambiental de Estados Unidos y **MAT Engine Technologies, LLC** se complacen en explicar la Garantía del sistema pro control de emisiones contaminantes de este nuevo motor de equipo mecánico para espacios exteriores.

California (pertinente sólo al Modelo n.º P-RTT-196MD):

En California, se han de diseñar, construir y equipar los nuevos motores pequeños para uso no vial de encendido por chispa para cumplir las estrictas normas antismog del Estado.

Otros Estados o territorios de los Estados Unidos

En otras áreas de los Estados Unidos, se ha de diseñar, construir y equipar este motor a fin de que cumpla las normas de la U.S. EPA sobre emisiones contaminantes de motores de encendido por chispa de 19 kilovatios o menos.

En todos los Estados Unidos

MAT Engine Technologies, LLC (METL) ha de garantizar el sistema de control de emisiones contaminantes del motor para equipo mecánico durante los períodos de tiempo que figuran a continuación, siempre y cuando no haya habido uso indebido, descuido o mantenimiento inadecuado del motor para equipo mecánico. Cuando exista una condición garantizable, **METL** reparará el motor para equipo mecánico sin costo alguno para el propietario, incluyendo el diagnóstico, las piezas y la mano de obra.

Cobertura de la garantía del fabricante:

El sistema de control de emisiones contaminantes está garantizado durante dos años. Si alguna pieza del motor relacionada con emisiones contaminantes es defectuosa, **METL** reparará o reemplazará dicha pieza.

Responsabilidades del propietario de la garantía

Como propietario del motor para equipo mecánico, el consumidor es responsable por llevar a cabo el mantenimiento necesario enumerado en el manual del propietario. **METL** recomienda al propietario guardar todos los recibos que cubran el mantenimiento del motor para equipo mecánico, pero **METL** no puede negar la garantía exclusivamente por la falta de recibos o por no asegurarse el propietario de que se efectuara todo el mantenimiento programado.

Como propietario del motor para equipo mecánico, no obstante, el consumidor debe estar conciente de que **METL** podría negar la cobertura de la garantía si el motor para equipo mecánico o una pieza del mismo ha fallado por uso indebido, descuido, mantenimiento inadecuado o modificaciones no autorizadas.

Es responsabilidad del propietario presentar el motor para equipo mecánico a un centro de distribución o centro de servicio autorizado por **METL** tan pronto exista un problema. Se deben completar las reparaciones bajo garantía en un período de tiempo razonable que no exceda de 30 días.

Si se tiene alguna pregunta sobre los derechos y responsabilidades del propietario al amparo de esta garantía, ponerse en contacto con

MAT Engine Technologies, Inc.
6700 Wildlife Way
Long Grove, IL 60047
Tel: 1-800-737-2112

Garantía (Continuación)

• Conserve todas las instrucciones

Cobertura de la garantía:

METL garantiza que el motor del producto carece de defectos en materiales y mano de obra que causen que dicho motor no observe las normas de la U.S. EPA o el Estado de California sobre emisiones contaminantes de motores pequeños para uso no vial y encendido por chispa, según sea pertinente al producto de **METL**. Los motores pequeños para uso no vial y encendido por chispa fabricados después del 1 de enero de 1995 y vendidos en el Estado de California y los motores pequeños para uso no vial y encendido por chispa certificados por la U.S. EPA, fabricados en el modelo del año 1997 ó más reciente y vendido en todos los Estados Unidos, están cubiertos por esta Garantía del sistema pro control de emisiones contaminantes durante un período de dos años a partir de la fecha de entrega al comprador original. Esta Garantía del sistema pro control de emisiones contaminantes es transferible a cada comprador subsiguiente durante el plazo del período de garantía. Las reparaciones o reemplazos al amparo de la presente Garantía del sistema pro control de emisiones contaminantes se efectuarán sin recargo alguno en concepto de diagnóstico, piezas o mano de obra. La lista de las piezas garantizadas figura a continuación. Los artículos para mantenimiento normal, tales como bujías, filtros de aire y filtros de combustible que están incluidos en la lista de piezas garantizadas, gozan de garantía únicamente hasta el primer intervalo de reemplazo programado para dicho artículo, como se estipula en el Manual del usuario. Toda pieza del sistema pro control de emisiones contaminantes reparada o reemplazada al amparo de la Garantía del sistema pro control de emisiones contaminantes estará garantizada durante el resto del período de garantía pertinente. Asimismo, **METL** reparará o reemplazará otros componentes del motor dañados por el fallo de cualquier pieza cubierta por la Garantía del sistema pro control de emisiones contaminantes durante el período de la Garantía del sistema pro control de emisiones contaminantes. En toda reparación o reemplazo al amparo de la Garantía del sistema pro control de emisiones contaminantes solo se pueden utilizar piezas autorizadas y aprobadas por **METL**; éstas serán provistas sin costo alguno al propietario. No se podrán utilizar piezas no aprobadas, adicionales, modificadas, falsificadas, y/o del "mercado gris" para modificar o reparar el motor **METL**. Si se ha utilizado alguna de dichas piezas en la reparación o mantenimiento del motor, y un Centro de servicio autorizado por **METL** determina que dicha pieza es defectuosa o causa el fallo de una pieza cubierta por la Garantía del sistema pro control de emisiones contaminantes, la reclamación para reparación del motor o producto podrá declararse nula y sin efecto. **METL** no asumirá responsabilidad alguna, bajo la presente garantía, por fallos de toda pieza garantizada causados por el uso de dicha pieza no aprobada, adicional, modificada, falsificada y/o del "mercado gris".

Cómo obtener servicio de garantía:

El propietario ha de llevar el motor para equipo mecánico o el producto en el cual está instalado, junto con la evidencia de la fecha de venta al comprador original, por cuenta del propietario, a cualquier Centro de servicio autorizado por **METL** durante sus horas hábiles normales. Para ubicar el Centro de servicio autorizado por **METL** más cercano, llamar al (800) 737-2112. El propietario del producto será responsable por cualesquier gastos o recargos incurridos por llamadas de servicio o transporte del producto o motor del equipo hacia y desde el Centro de servicio autorizado por **METL**, incluyendo cualesquier y todo daño o pérdida incurrido durante dicho transporte o envío.

Exclusiones:

Todo fallo ajeno a aquellos resultantes de defectos en materiales o mano de obra no está cubierto por esta Garantía del sistema pro control de emisiones contaminantes. Esta Garantía del sistema pro control de emisiones contaminantes no se extiende a los sistemas de control de emisiones ni a piezas afectadas o dañadas por uso indebido, descuido, mantenimiento inadecuado, uso inadecuado, abastecimiento de combustible inadecuado, almacenamiento inadecuado, accidente y/o colisión, la incorporación o cualquier uso de toda pieza no aprobada, adicional, modificada, del "mercado gris" o falsificadas, accesorios inadecuados, o la alteración no autorizada de cualquier pieza, por parte del propietario. Esta Garantía del sistema pro control de las emisiones contaminantes no cubre el reemplazo periódico de los artículos de mantenimiento normal efectuado en conexión con los servicios de mantenimiento necesarios, posteriormente al primer Limitación de responsabilidad:etc.).

Limitaciones de responsabilidad:

METL declina toda responsabilidad por pérdida de tiempo o del uso del motor o del equipo en que el motor está instalado, transporte, pérdidas comerciales, o cualquier otro daño incidental o emergente. Toda garantía implícita está limitada a la duración de esta garantía limitada por escrito. Algunos Estados no permiten limitaciones sobre la duración de una garantía implícita y/o no permiten la exclusión o limitación de los daños incidentales o emergentes, por lo cual las exclusiones y limitaciones de daños anteriores podrían no ser pertinentes en algunos casos.

Esta garantía brinda al consumidor derechos jurídicos específicos y, asimismo, es posible que el consumidor tenga otros derechos que varían de un estado a otro.

Garantía (Continuación)

• Conserve todas las instrucciones

Limitación de responsabilidad:

SISTEMAS CUBIERTOS POR ESTA GARANTÍA:	DESCRIPCIÓN DE LAS PIEZAS:
Sistema de medida del combustible	Unidad del carburador (si está provisto) y sus componentes internos; filtro de combustible (si está provisto), empaques del carburador, bomba del combustible (si está provista)
Sistema de inducción de aire	Tubo / múltiple de admisión, limpiador de aire
Sistema de ignición	Bujía ¹ , módulo / bobina de encendido
Sistema de escape	Unidad de silenciador catalítico (si está provisto), empaque del silenciador, múltiple de escape
Unidad del respirador del cárter del cigüeñal	Tubo de conexión de respirador
Piezas misceláneas utilizadas en los sistemas anteriores	Mangueras, fajas, conectores y montajes
Componentes de emisiones contaminantes evaporativas ²	Tubería para combustible, accesorios de tubería para combustible, abrazaderas, tanque de combustible, soportes para montaje de recipientes, conector de puerto de purga del carburador
¹ Cubierta únicamente hasta el primer reemplazo necesario. Véase el Programa de mantenimiento.	
² Según sean pertinentes a las certificaciones de emisiones contaminantes del motor del producto.	

Free Manuals Download Website

<http://myh66.com>

<http://usermanuals.us>

<http://www.somanuals.com>

<http://www.4manuals.cc>

<http://www.manual-lib.com>

<http://www.404manual.com>

<http://www.luxmanual.com>

<http://aubethermostatmanual.com>

Golf course search by state

<http://golfingnear.com>

Email search by domain

<http://emailbydomain.com>

Auto manuals search

<http://auto.somanuals.com>

TV manuals search

<http://tv.somanuals.com>