

POWERMATIC®

Operating Instructions and Parts Manual

Accu-Fence®

for Models 66, 72A, PM2000, PM3000



Powermatic
427 New Sanford Rd.
LaVergne, TN 37086
Ph.: 800-274-6848
www.powermatic.com

Part No. M-2195079Z
Revision C 01/2015
Copyright © 2015 Powermatic

Warranty and Service

Powermatic warrants every product it sells against manufacturers' defects. If one of our tools needs service or repair, please contact Technical Service by calling 1-800-274-6846, 8AM to 5PM CST, Monday through Friday.

Warranty Period

The general warranty lasts for the time period specified in the literature included with your product or on the official Powermatic branded website.

- Powermatic products carry a limited warranty which varies in duration based upon the product. (See chart below)
- Accessories carry a limited warranty of one year from the date of receipt.
- Consumable items are defined as expendable parts or accessories expected to become inoperable within a reasonable amount of use and are covered by a 90 day limited warranty against manufacturer's defects.

Who is Covered

This warranty covers only the initial purchaser of the product from the date of delivery.

What is Covered

This warranty covers any defects in workmanship or materials subject to the limitations stated below. This warranty does not cover failures due directly or indirectly to misuse, abuse, negligence or accidents, normal wear-and-tear, improper repair, alterations or lack of maintenance. Powermatic woodworking machinery is designed to be used with Wood. Use of these machines in the processing of metal, plastics, or other materials outside recommended guidelines may void the warranty. The exceptions are acrylics and other natural items that are made specifically for wood turning.

Warranty Limitations

Woodworking products with a Five Year Warranty that are used for commercial or industrial purposes default to a Two Year Warranty. Please contact Technical Service at 1-800-274-6846 for further clarification.

How to Get Technical Support

Please contact Technical Service by calling 1-800-274-6846. **Please note that you will be asked to provide proof of initial purchase when calling.** If a product requires further inspection, the Technical Service representative will explain and assist with any additional action needed. Powermatic has Authorized Service Centers located throughout the United States. For the name of an Authorized Service Center in your area call 1-800-274-6846 or use the Service Center Locator on the Powermatic website.

More Information

Powermatic is constantly adding new products. For complete, up-to-date product information, check with your local distributor or visit the Powermatic website.

How State Law Applies

This warranty gives you specific legal rights, subject to applicable state law.

Limitations on This Warranty

POWERMATIC LIMITS ALL IMPLIED WARRANTIES TO THE PERIOD OF THE LIMITED WARRANTY FOR EACH PRODUCT. EXCEPT AS STATED HEREIN, ANY IMPLIED WARRANTIES OF MERCHANTABILITY AND FITNESS FOR A PARTICULAR PURPOSE ARE EXCLUDED. SOME STATES DO NOT ALLOW LIMITATIONS ON HOW LONG AN IMPLIED WARRANTY LASTS, SO THE ABOVE LIMITATION MAY NOT APPLY TO YOU.

POWERMATIC SHALL IN NO EVENT BE LIABLE FOR DEATH, INJURIES TO PERSONS OR PROPERTY, OR FOR INCIDENTAL, CONTINGENT, SPECIAL, OR CONSEQUENTIAL DAMAGES ARISING FROM THE USE OF OUR PRODUCTS. SOME STATES DO NOT ALLOW THE EXCLUSION OR LIMITATION OF INCIDENTAL OR CONSEQUENTIAL DAMAGES, SO THE ABOVE LIMITATION OR EXCLUSION MAY NOT APPLY TO YOU.

Powermatic sells through distributors only. The specifications listed in Powermatic printed materials and on the official Powermatic website are given as general information and are not binding. Powermatic reserves the right to effect at any time, without prior notice, those alterations to parts, fittings, and accessory equipment which they may deem necessary for any reason whatsoever.

Product Listing with Warranty Period

90 Days – Parts; Consumable items
1 Year – Motors, Machine Accessories
2 Year – Woodworking Machinery used for industrial or commercial purposes
5 Year – Woodworking Machinery

NOTE: Powermatic is a division of JPW Industries, Inc. References in this document to Powermatic also apply to JPW Industries, Inc., or any of its successors in interest to the Powermatic brand.

Table of Contents

Warranty and Service	2
Table of Contents	3
Specifications	3
Unpacking	4
Rail Installation on a Powermatic Table Saw.....	4
Installing the Front Rail.....	5
Installing the Back Rail.....	5
Installing the Wood Extension Table.....	6
Securing Wood Table to Front Rail.....	7
Securing Wood Table to Back Rail	8
Installing the Guide Tube	8
Mounting the Accu-Fence	9
Side Plate Replacement.....	11
Rail Installation on a non-Powermatic Table Saw.....	12
Installing the Front Rail.....	12
Installing the Back Rail.....	13
Replacement Parts	14
Rail Assembly.....	14
Accu-Fence Parts	15
Accu-Fence Assembly.....	16

Specifications

Fence side plate length:	
For 10" cabinet saws.....	37-3/8"
For 12" and 14" cabinet saws.....	45-5/8"
Fence width.....	4-1/2"
Fence height:	
For 10", 12" and 14" cabinet saws.....	2-1/2"
Head length:	
For 10", 12" and 14" cabinet saws.....	16"

The above specifications were current at the time this manual was published, but because of our policy of continuous improvement, Powermatic reserves the right to change specifications at any time and without prior notice, without incurring obligations.

Unpacking

Open shipping cartons and check that all parts are intact. Report any damage immediately to your distributor. Read the instruction manual thoroughly for assembly, alignment, and maintenance instructions.

Box contents

Box One

- 1 Accu-Fence (A)
- 1 Lock Lever Knob (B)
- 2 Plastic Shims (not shown)
- 1 Owner's Manual (not shown)

Box Two

- 1 Front Rail (C)
- 1 Back Rail (D)
- 1 Guide Tube (E)
- 2 End Caps (not shown)
- 1 Hardware Bag (see contents below)

Contents of Hardware Bag (shown at right)*

- 2 5/16-18 x 7/8" Hex Cap Screw
- 6 5/16-18 x 1-1/2" Hex Cap Screw
- 14 5/16" Flat Washer
- 8 5/16" Lock Washer
- 6 5/16" Hex Nut
- 10 1/4-20 x 1-1/2" Flat Head Screw
- 8 1/4-20 x 3/4" Hex Cap Screw
- 10 1/4" Flat Washer
- 18 1/4" Lock Washer
- 10 1/4" Hex Nut

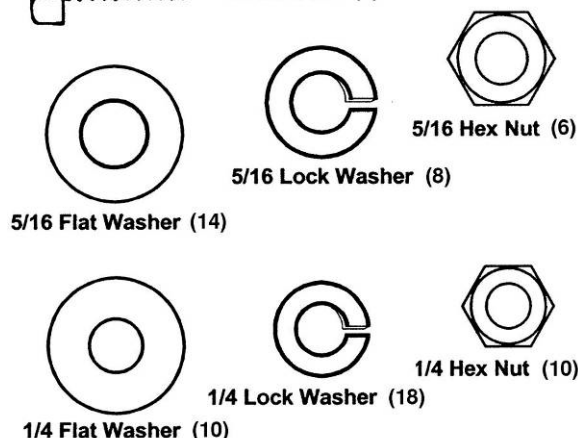
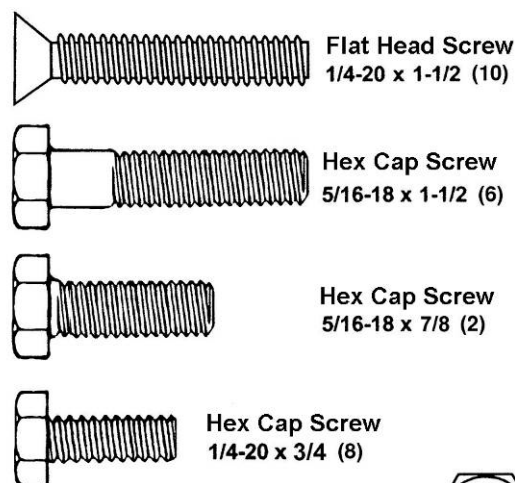
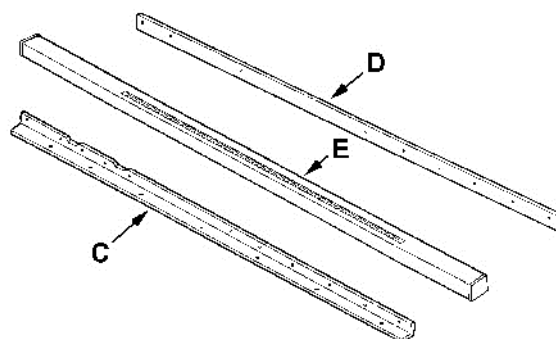
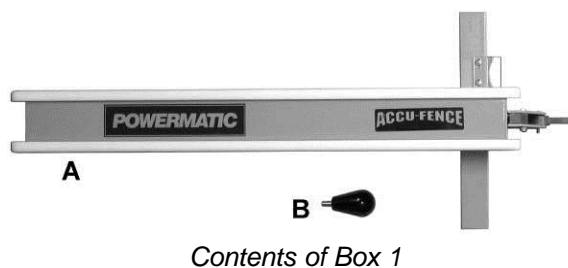
* NOTE: Hardware bag is shipped inside the guide tube.

Rail Installation on a Powermatic Table Saw

Tools required

- 10mm and 12mm wrenches
- Cross-Point ("Phillips") screwdriver
- 5mm hex wrench
- Adjustable square
- Rubber mallet (or hammer and wood block)
- Straight edge

The following instructions are for installing the *Accu-Fence and Rail System* on a *Powermatic* Model 66, 72A, PM2000 or PM3000 table saw. The rails should bolt up to the *Powermatic* saw without any drilling.



Contents of Hardware Bag

Installing the Front Rail

1. Identify the *front rail*, which is 3" x 3" with notches on one side.
2. Align the holes on the notched side of the *front rail* to the holes in the front edge of the table saw top, as shown in Figure 1. The notches should fall below the miter slots in the table.

Note: The rail's second hole from the left should line up with the first hole in the table top as shown. The saw's extension wings are not pre-drilled at the factory, so use of the first hole on the rail is optional.

3. Lightly secure the *front rail* to the saw table with four 1/4-20 x 1-1/2 *flat head screws*, four 1/4 *flat washers*, four 1/4 *lock washers*, and four 1/4 *hex nuts* (Figure 2). Finger-tighten only.

The *front rail* must be parallel to the table top in order for the *Accu-Fence* system to function properly.

1. Place an adjustable square on the table as shown in Figure 3.
2. Check the height of the *front rail* at several locations along the surface of the saw table. The measurements should be the same along the length of the rail. (Generally, this dimension will be about 2-27/32".)
3. When the *front rail* has been correctly positioned, tighten all mounting screws securely with a screwdriver and 10mm wrench.

Installing the Back Rail

1. Locate the *back rail* which is 2" x 2" with holes running along one side only. The back rail should be installed parallel to the table top.
2. Align the holes in the *back rail* to the holes in the table top, as shown in Figure 4.

Note: The rail's second hole from the right should line up with the first hole in the table top as shown. The saw's extension wings are not pre-drilled at the factory, so use of the first hole on the rail is optional.



Figure 1

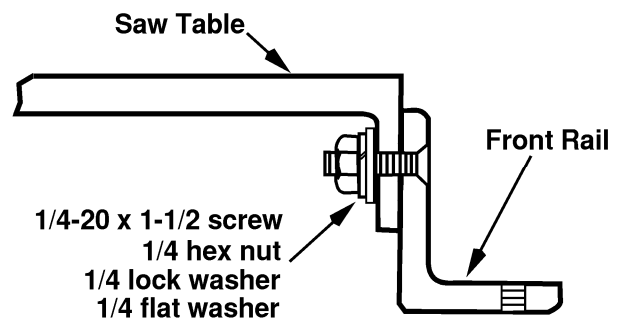


Figure 2

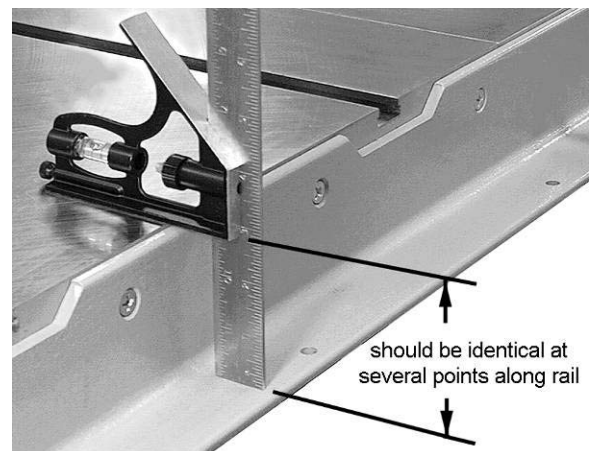


Figure 3

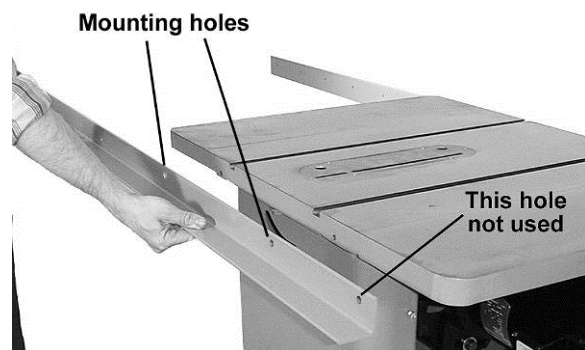


Figure 4

Referring to Figure 5:

3. Secure the *back rail* (A) to the pre-tapped holes in the saw *table* (B) in two places with 5/16-18 x 7/8 *hex cap screws* (C), 5/16 lock washers (D), and 5/16 flat washers (E). Finger tighten only.
4. Use the adjustable square to measure at several points along the rail to achieve parallel with table. Tighten screws securely with a 12mm wrench.

Important: If you are installing an optional wood extension table on your saw, it should be installed first before mounting the guide tube. This will prevent having to mount and align the guide tube twice.

If you are not mounting an optional wood table, proceed to *Installing the Guide Tube* on page 8.

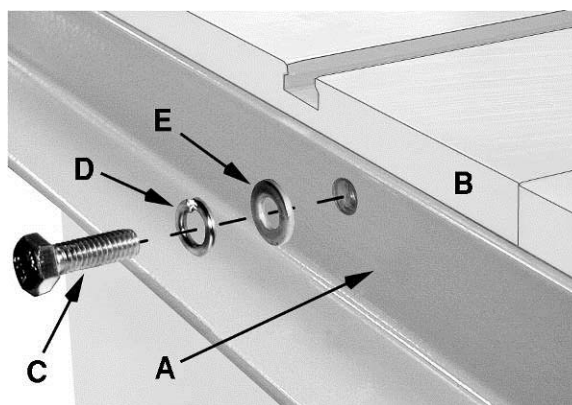


Figure 5

Installing the Wood Extension Table

The wood extension table is an optional accessory.

Tools required:

- Electric drill
- Philips screwdriver
- 10mm and 12mm wrenches
- Four clamps
- Straight edge
- Hammer (or rubber mallet)

Installing the Legs

Legs are optional accessories. If your wood table does not require legs, proceed to "Installing the Table."

1. Place the optional wood extension table upside down. (Use a mat or cloth to protect the surface). Position the legs at the inside corners of the wood table at the end where the Powermatic logo is placed. See Figure 6.

Note: If you are using a mobile base under your saw, you may need to shift the placement of the legs so that they rest properly upon the shelves of the base.

2. Drill pilot holes, making sure not to drill completely through the table and sides.
3. Secure with the eight screws provided.
4. Turn the wood table right-side up.
5. The footpads on the legs can be rotated to help level the wood table with the saw during the following procedure. Tighten the nut against the end of the leg to secure a footpad's position.



Figure 6

Installing the Table

The optional wood extension table (including the optional router table) sits flush against the saw table and along the inside of the rails. The *Powermatic* logo (or warning label on the router table) should face outward. The extension table is not bolted to the saw table. It is bolted only to the rails.

The extension table and saw table must be aligned properly so the *Accu-Fence* will slide smoothly from one to the other.

1. Place the extension table between the rails and up against the saw table, leaving the extension table raised just slightly above the saw table. Clamp the extension table to the front and back rails as shown in Figure 7. Clamping pressure should be enough to secure the table yet allow minor adjustments.
2. Use a rubber mallet (or a hammer and block of wood) to tap the extension table up flush against the cast iron saw table (Figure 6). Then tap down the extension table at various points along its edge where it meets the saw table, until it is level with the saw table (Figure 8).
3. As one part of the edge becomes level with the table, tighten the clamp on that side. Then move to the other side and repeat, until the full length of the edge is level with the saw table.
4. Lay a straight edge across both extension table and saw table to ensure proper leveling.
5. When extension table is properly aligned, drill holes into the wood table using the holes in the rails as your guide. See Figure 9. (You may wish to drill 3/32" pilot holes first.) Drill 1/4" holes into the front edge of the table using the holes in the front rail as a guide. Drill 5/16" holes into the back edge of the table using the holes in the back rail as a guide.

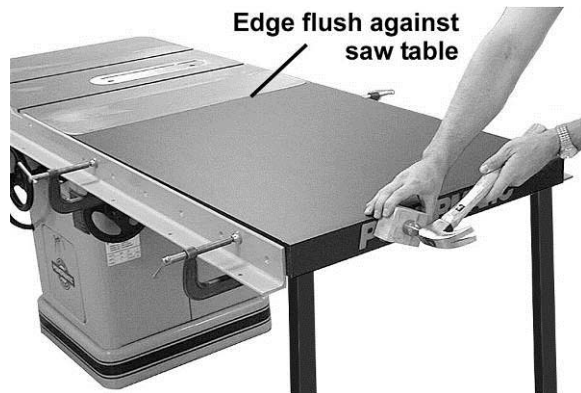


Figure 7

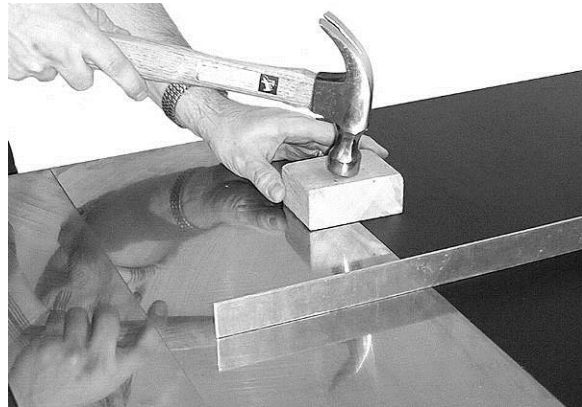


Figure 8

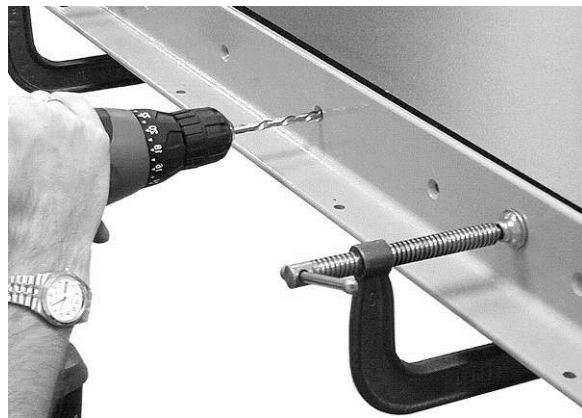


Figure 9

Securing Wood Table to Front Rail

Referring to Figure 10:

Insert six *flat head screws* (A) through the *front rail* and *wood extension table* and secure with six each *flat washers* (B), *lock washers* (C) and *hex nuts* (D). Finger-tighten only.

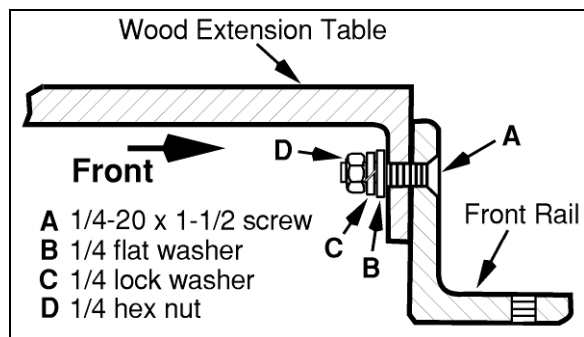


Figure 10

Securing Wood Table to Back Rail

Referring to Figure 11:

1. Insert six *hex head screws* (E) and *flat washers* (F) through the *back rail* and *wooden extension table* and secure with six *flat washers* (F), *lock washers* (G) and *hex nuts* (H). Finger-tighten only at this time.
2. Re-check the table for alignment along the front and back rails. Make further adjustments if necessary, then tighten all screws and nuts.

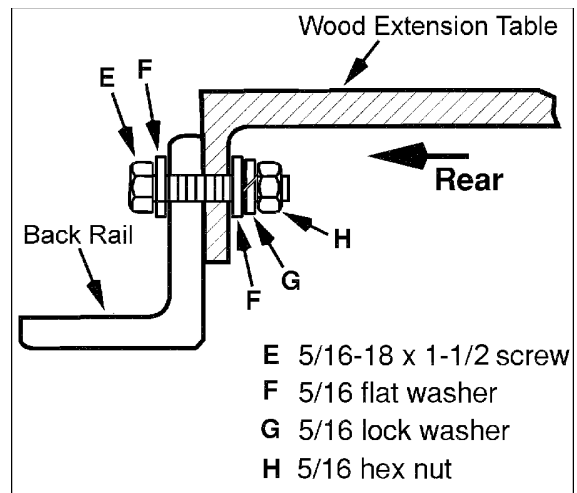


Figure 11

Installing the Guide Tube

1. The *guide tube* mounts to the *front rail* with the *scale* facing toward the operator (Figure 12). Align the holes in the bottom of the *guide tube* with the holes in the *front rail*. When properly positioned the *guide tube* should extend beyond the *front rail* about 6" in both directions.
2. Fasten the *guide tube* to the rail from beneath, with eight 1/4-20 x 3/4 *hex cap screws* and eight 1/4 *lock washers* (Figure 13). Finger-tighten only.
3. The holes in the front rail are over-sized to allow slight adjustment of the *guide tube*. Pull the *guide tube* away from the rail as far as it will go.
4. Measure the distance from edge of *guide tube* to front rail; do this at both ends of the guide tube to ensure that guide tube is parallel to front rail. (The distance itself is not important, but it should be the same along the length of the guide tube.)
5. Tighten all screws with a 10mm wrench.
6. Insert a plastic end cap into the ends of the guide tube. Use a rubber mallet if needed to gently push in the caps.

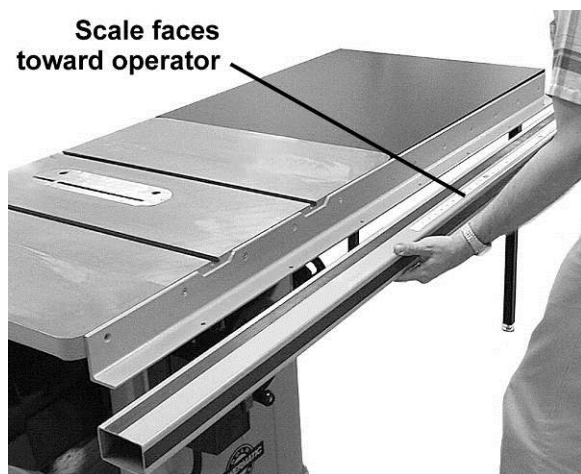


Figure 12

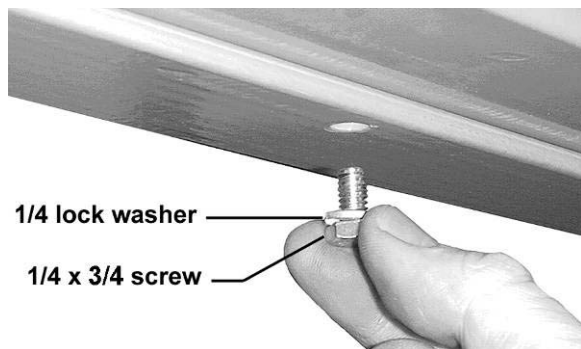


Figure 13

Mounting the Accu-Fence

1. Screw the lock lever knob into the threaded handle on the Accu-Fence (see Figure 14).

The *lock lever* has three functional positions. Referring to Figure 15:

- The upright position permits mounting and removal of fence from the saw.
- The unlock position permits easy fence positioning.
- The lower position locks the fence to the front rail. The cam handle should be pushed down firmly against the pin.

2. Place the *Accu-Fence* on the table top and check the height of the side plates from the table top. The *Accu-Fence* has been pre-set at the factory for a side plate height of $1/32$ " from the table top of your saw. If, however, some misalignment has occurred during shipment, you can easily reset your side plates to the correct height as described in the following section.

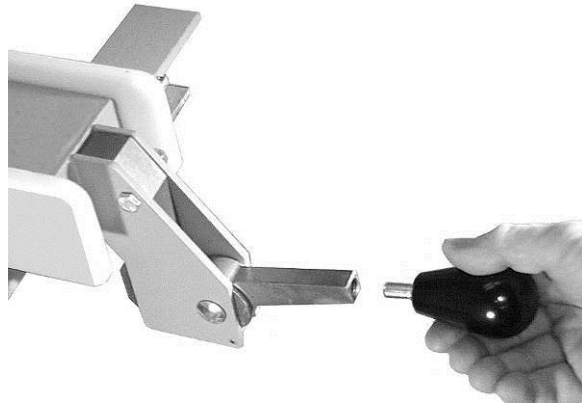


Figure 14

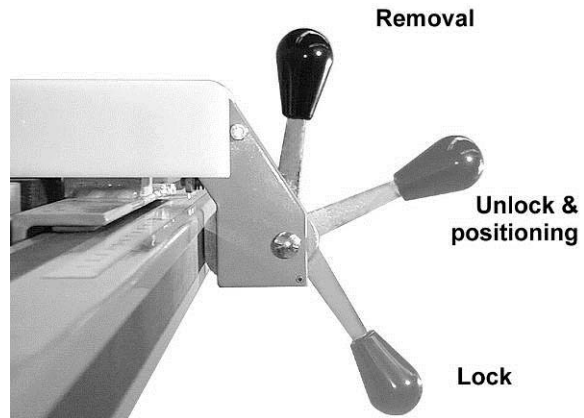


Figure 15

Setting the Side Plate Height

1. Figure 16 shows a fence where misalignment of the side plates has occurred; the side plates are in contact with the front edge of the table saw top.
2. Turn the *Accu-Fence* upside down and with a rubber mallet (or a hammer and block of wood), gently tap the side plates to create a height greater than $1/32$ " from the table top.

Note: Do not use a steel faced hammer directly on the side plates as this will damage them.

3. Reposition the *Accu-Fence* on the table and place the *plastic shims* (included with the shipping contents) beneath the side plates. With the hammer and wood block, tap the sides down until they contact the shims as shown in Figure 17.
4. Remove the shims. The *Accu-Fence* should now have correctly positioned side plates.

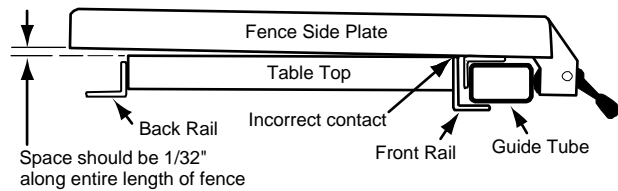


Figure 16

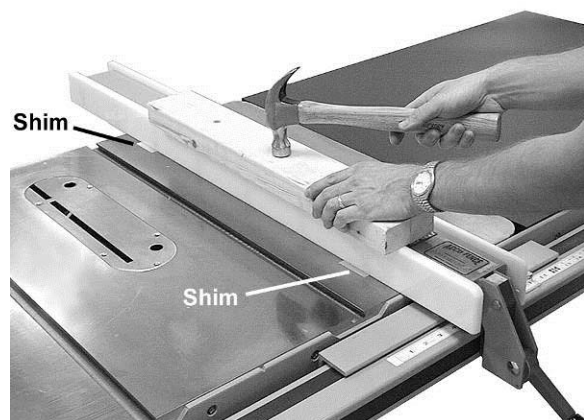


Figure 17

Adjusting Fence Parallel to the Miter Slot

Referring to Figure 18:

1. Place the fence (A) on the table (B). Adjust it so the edge (C) lines up with the right miter slot (D) and lock it.
2. The locked fence must be even (parallel) with the miter slot from front to back.
3. If the fence is not even along the length of the miter slot, unlock and remove it from the guide rail (Figure 19).
4. Adjust one of the two setscrews (H, Figure 19) with a 5mm hex wrench until the fence is even with the miter slot edge along its entire length when locked.

Note: You may need to re-adjust the clamping pressure (described below) after aligning the fence.

Clamping Pressure Adjustment

The Accu-Fence has been adjusted at the factory to lock securely when the lock handle is pushed down. If adjustment is needed:

1. Unlock the fence.
2. Remove the fence from the guide rail (Figure 19).
3. Adjust each of the two setscrews (H, Figure 19) exactly the same number of rotations until the fence is held securely when the lock handle is pushed down.

A clockwise rotation of the setscrews will increase the cam pressure. Counterclockwise rotation will decrease cam pressure.

90° to the Table Adjustment

1. Place the fence on the saw table and lock it.
2. Place a square (E, Figure 18) on the table next to the fence. The fence should be 90° to the table.
3. If adjustment is necessary, unlock the fence, and turn one of the two nylon adjustment screws (F, Figure 18) until the fence is 90° to the table.
4. Lock the fence and check the adjustment again.

Cursor Adjustment

1. Disconnect the table saw from the power source.
2. Raise the saw blade above the tabletop.
3. Unlock the fence and slide it to approximately four inches from the saw blade.
4. Lock the fence.

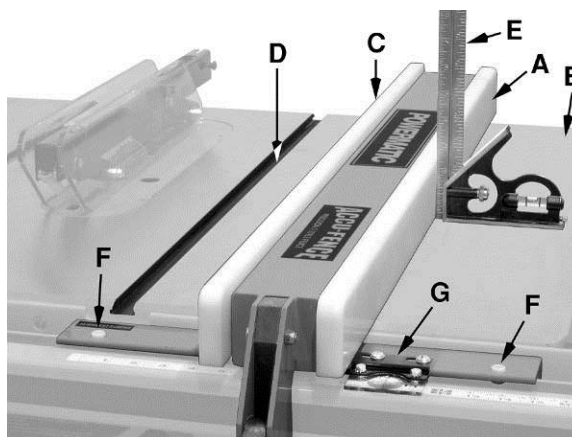


Figure 18



Figure 19

5. Measure the distance between the saw blade and the inside of the fence.
6. Adjust the cursor (G, Figure 18) to read the distance just measured and tighten the cursor assembly to the fence.
7. Take a test cut and confirm that the adjustment is correct.

Note: If the cursor does not have enough travel to give the correct measurement, loosen the guide rail and adjust as needed. If you still do not get the correct measurement, loosen the front rail and adjust as needed. If you have to adjust the front rail you will need to go through the front rail assembly instructions again.

This adjustment must be checked whenever a different blade is installed.

Side Plate Replacement

The *Accu-Fence* is specially designed to save you many hours of down-time when side plates need to be replaced. In an operation that can last an entire day with other fences, the *Accu-Fence* side replacement takes only a few minutes.

Here's how it's done:

1. Turn the *fence* upside down and loosen the five 1/4 lock nuts with a 7/16 wrench through the slots.

Note: A socket wrench can fit into the slot, and will speed the process (Figure 20).
2. Remove the lock nuts.
3. Turn the fence on its side and pull the side plate from the main frame (Figure 21).
4. Replacement side plates come with fasteners already attached. With the fence still on its side, align the new side plate so that the attached bolts line up with the holes on the main frame. See Figure 21. Mount the new side plate to the main frame.
5. Turn the fence on its back and secure the side plate by lightly tightening all nuts.
6. Make any necessary adjustments to the side plate height (see *Setting the Side Plate Height* on page 9).

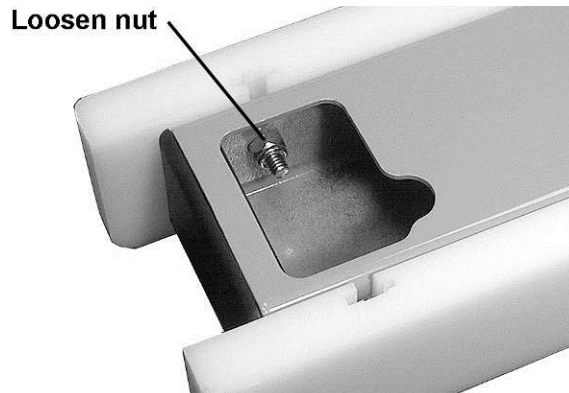


Figure 20

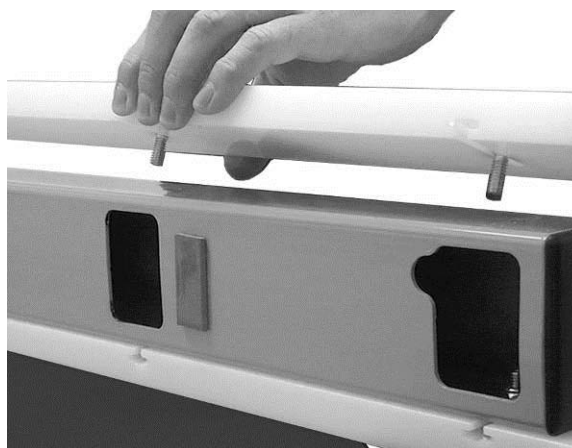


Figure 21

Rail Installation on a non-Powermatic Table Saw

The following instructions are for installing the *Accu-Fence and Rail System* on a table saw other than a *Powermatic* model. Some drilling is required.

Tools required

- 10mm and 12mm wrenches
- Philips screwdriver
- Adjustable square
- Rubber mallet (or hammer and block of wood)
- Straight edge
- Electric drill with 1/4" and 5/16" bits

Installing the Front Rail

1. Identify the *front rail*, which is 3" x 3" with notches on one side.
2. Place a mark 18" from the left end of the *front rail* (Figure 22). This mark will be lined up with the saw blade.
3. Lay a straight edge flush against the right side of the saw blade, as shown in Figure 23, and place the notched side of the *front rail* against the saw table as shown. Hold *front rail* to the saw table with clamps. Make sure the mark on the *front rail* lines up with the left edge of the straight edge (and thus in line with the blade).
4. The *front rail* must be parallel to the table top in order for the *Accu-Fence* system to function properly. Place an adjustable square on the table as shown in Figure 24.
5. Check the height of the *front rail* at several locations along the surface of the saw table. The measurements should be the same along the length of the rail. Adjust as needed.
6. When the *front rail* has been correctly positioned, and your mark still lined up with the straight edge, drill 1/4" holes into the lip of the table saw top, using the holes in the *front rail* as a guide (Figure 25).
7. Lightly secure the *front rail* to the saw table with four 1/4-20 x 1-1/2 *flat head screws*, four 1/4 *flat washers*, four 1/4 *lock washers*, and four 1/4 *hex nuts* (Figure 26). Finger-tighten only.

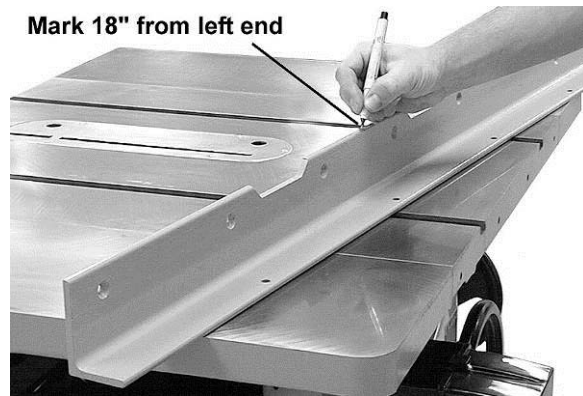


Figure 22

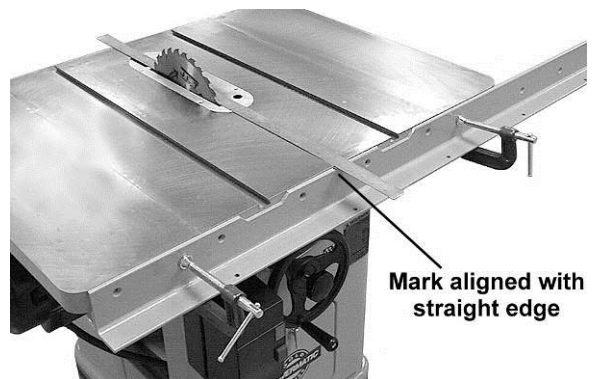


Figure 23

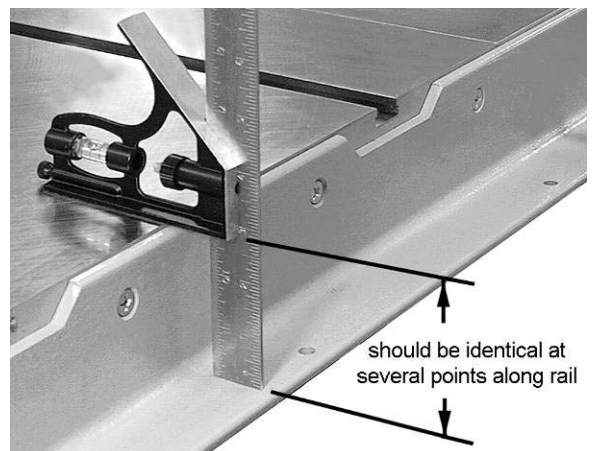


Figure 24

Installing the Back Rail

1. Locate the *back rail* which is 2" x 2" with holes running along one side only. The height of the *back rail* when attached to the saw is not critical, but it should be parallel to the table top.
2. Position the *back rail* approximately 9/16" below the surface of the table top, with the ends even with those of the *front rail* (Figure 27). Hold the *back rail* to the saw with clamps.
3. Drill 5/16" holes into the lip of the saw table using the holes in the *back rail* as a guide (see Figure 28).

Referring to Figure 29 :

4. Insert *hex cap screws* (A) and *flat washers* (B) through the *back rail* and saw table and secure with *flat washers* (B), *lock washers* (C) and *hex nuts* (D). Finger-tighten only at this time.

The rest of the installation is the same as with a *Powermatic* table saw. Refer back to page 6 to mount the optional *wood extension table* (if applicable) and the *guide tube* on page 8, and proceed from there.

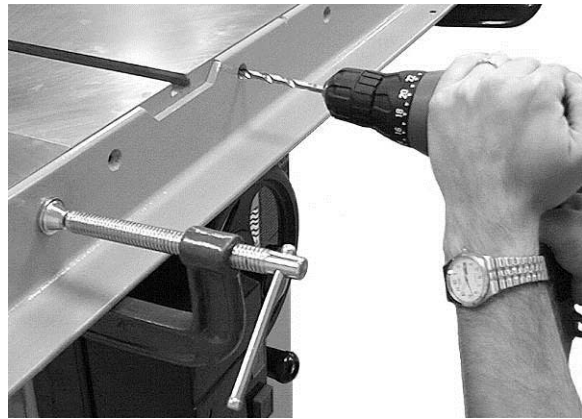


Figure 25

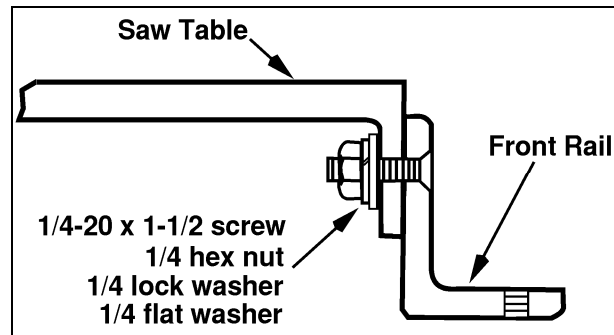


Figure 26



Figure 28

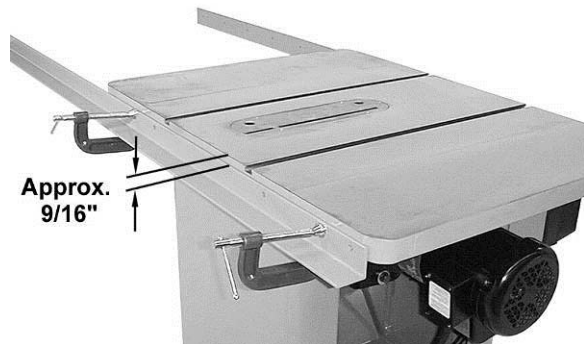


Figure 27

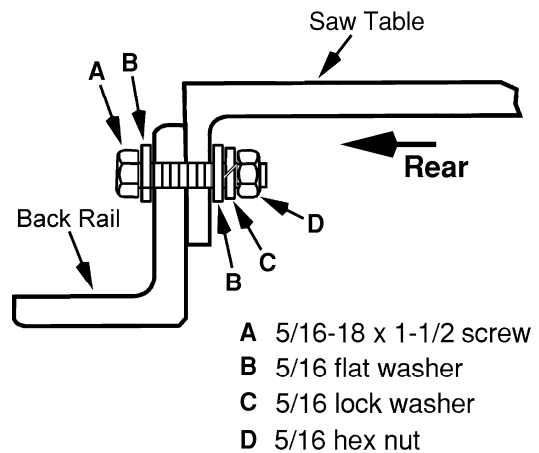


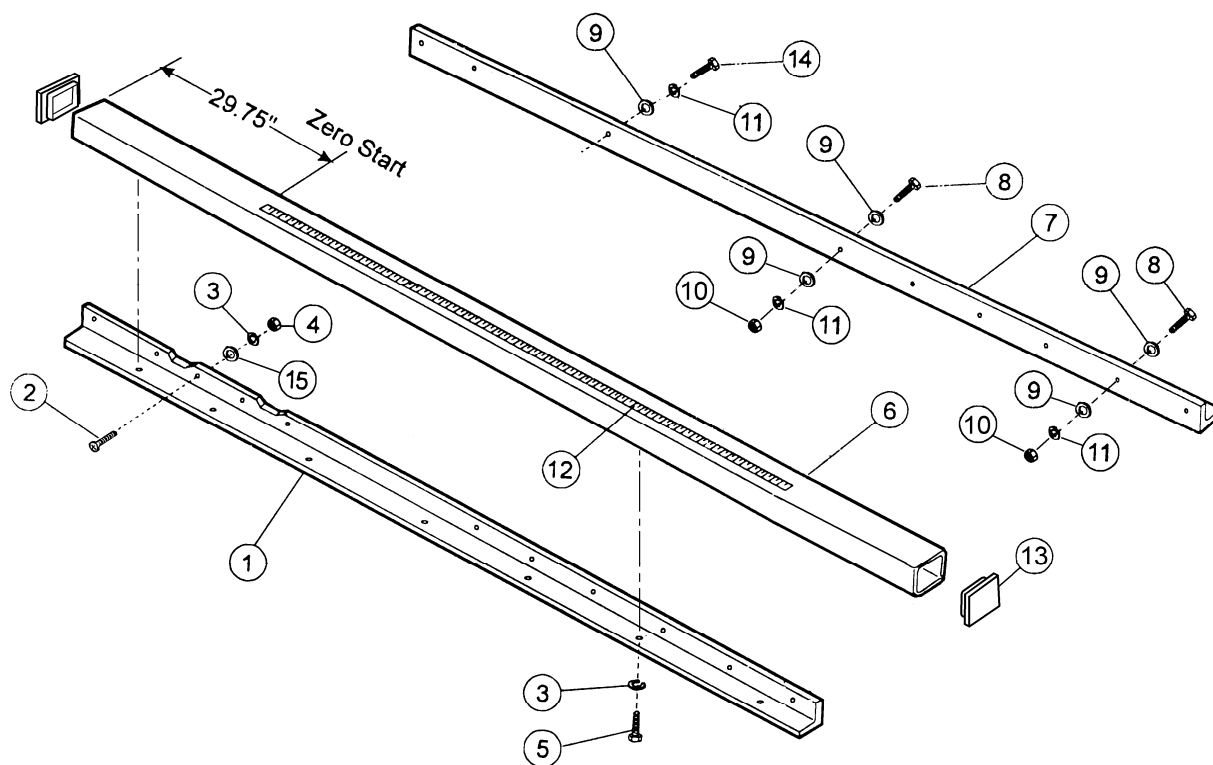
Figure 29

Replacement Parts

To order parts or reach our service department, call 1-800-274-6848, Monday through Friday (see our website for business hours, www.powermatic.com). Having the Model Number and Serial Number of your machine available when you call will allow us to serve you quickly and accurately.

Rail Assembly

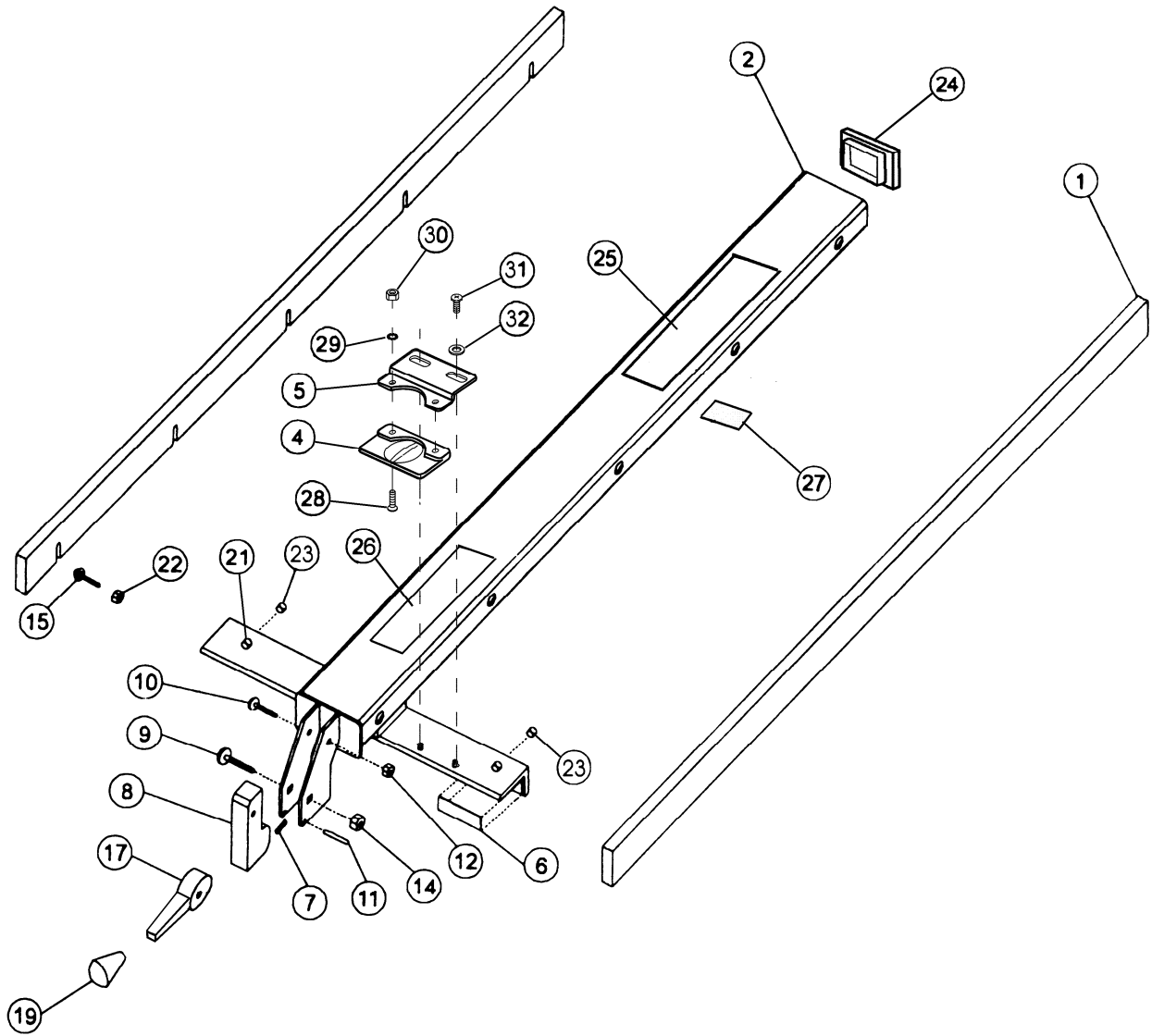
Index No.	Part No.	Description	Size	Qty
.....	2653031Z	PM2000//PM3000/66/72A Rail Assembly - Standard	50" rip	1
.....	2653039Z	PM2000/66 Rail Assembly – Short	30" rip	1
1	3653217	Front Fence Rail – Standard (50" rip)	72" L	1
.....	3653237	Front Fence Rail – Short (30" rip)	52-1/2" L	1
2	TS-081F081	Flat Head Screw	1/4-20 x 1-1/2	10
3	TS-0720071	Lock Washer	1/4	18
4	TS-0561011	Hex Nut	1/4-20	10
5	TS-0050031	Hex Cap Screw	1/4-20 x 3/4	8
6	3254010	Front Fence Guide – Standard (50" rip)	84" L	1
.....	3254022	Front Fence Guide – Short (30" rip)	64" L	1
7	3653218	Back Fence Rail – Standard (50" rip)	72" L	1
.....	3653238	Back Fence Rail – Short (30" rip)	52-1/2" L	1
8	TS-0051071	Hex Cap Screw	5/16-18 x 1-1/2	6
9	TS-0680031	Flat Washer	5/16	14
10	TS-0561021	Hex Nut	5/16-18	6
11	TS-0720081	Lock Washer	5/16	8
12	6687008	Scale	53" L x 3/4" W	1
.....	6687013	Scale	32" L x 3/4" W	1
13	6166069	Cap Plug		2
14	TS-0051041	Hex Cap Screw	5/16-18 x 7/8	2
.....	2405120	Hardware Kit (not shown)		1
15	TS-0680021	Flat Washer	1/4	10



Accu-Fence Parts

Index No.	Part No.	Description	Size	Qty
	2195079Z	66 & PM2000 Accu-Fence Assembly		1
	2195080	72A & PM3000 Accu-Fence Assembly		1
	2726008	Fence Side Plate (Models 66, PM2000) (includes one side plate (item 1) and items 15, 22)		1(set)
	2726009	Fence Side Plate Kit (Models 72A, PM3000) (includes two side plates (item 1) and items 15, 22)		1
1	2726009FSP	Fence Side Plate (Models 72A, PM3000) (includes one side plate only, no fasteners)		2
2	2056033	Fence Body (Weld Models 66, PM2000)		1
	2056034	Fence Body (Weld Models 72A, PM3000)		1
4	800708950D	Cursor		1
5	800708950C	Cursor Bracket		1
6	3575080	Fluoroway Pad		2
7	6813042	Compression Spring		1
8	3215301	Foot Cam		1
9	TS-0152031	Carriage Bolt	5/16-18 x 1-1/2	1
10	TS-0151041	Carriage Bolt	1/4-20 x 1-1/2	1
11	6626031	Spring Pin		1
12	TS-0640071	Lock Nut	1/4-20	1
14	TS-0640081	Lock Nut	5/16-18	1
15	XF2-9	T-Square Bolt (66, PM2000)	1/4-20 x 3/4	10
	XF2-9	T-Square Bolt (72A, PM3000)	1/4-20 x 3/4	12
17	3076232	Locking Cam		1
19	6430055	Knob w/ Stud		1
21	XF-5	Nylon Adjustment Screw		2
22	TS-0640071	Lock Nut (66, PM2000)	1/4-20	10
	TS-0640071	Lock Nut (72A, PM3000)	1/4-20	12
23	TS-0271031	Set Screw	3/8-16 x 3/8	2
24	6166069	Cap Plug		1
25	3312341	Powermatic Logo		1
26	3408241	Accu-Fence Label		1
27	XF2-108	Pad		1
28	TS-081D021	Flat Head Machine Screw	10-32 x 3/8	2
29	TS-0733031	Ext. Tooth Lock Washer	#10	2
30	TS-0560081	Hex Nut	10-32	2
31	TS-081D022	Pan Head Machine Screw	10-32 x 3/8	2
32	TS-0680021	Flat Washer	1/4	2

Accu-Fence Assembly



427 New Sanford Rd.
LaVergne, TN 37086
Phone: 800-274-6848
www.powermatic.com

Free Manuals Download Website

<http://myh66.com>

<http://usermanuals.us>

<http://www.somanuals.com>

<http://www.4manuals.cc>

<http://www.manual-lib.com>

<http://www.404manual.com>

<http://www.luxmanual.com>

<http://aubethermostatmanual.com>

Golf course search by state

<http://golfingnear.com>

Email search by domain

<http://emailbydomain.com>

Auto manuals search

<http://auto.somanuals.com>

TV manuals search

<http://tv.somanuals.com>