



Powerware®

BPIII

Harsh Environment
UPS 50–75 kVA

INSTALLATION & OPERATION MANUAL

IMPORTANT SAFETY INSTRUCTIONS
Instructions Importantes Concernant La Sécurité

SAVE THESE INSTRUCTIONS
Conserver Ces Instructions

This manual contains important instructions for your Uninterruptible Power Supply (UPS) system. You should follow these instructions during the installation and maintenance of the UPS, options, accessories, and batteries.

Cette notice contient des instructions importantes concernant la sécurité.

This equipment has been tested and found to comply with the limits for a Class A digital device, pursuant to Part 15 of the FCC Rules. These limits are designed to provide reasonable protection against harmful interference when the equipment is operated in a commercial environment. This equipment generates, uses, and can radiate radio frequency energy and, if not installed and used in accordance with the instruction manual, may cause harmful interference to radio communications. Operation of this equipment in a residential area is likely to cause harmful interference in which case the user will be required to correct the interference at their own expense.

Table of Contents

Introduction	1
Using This Manual	3
Conventions Used in This Manual	4
Safety Considerations	5
Getting Help	5
Section I Installation	7
1 Getting Started	9
Creating an Installation Plan	9
Preparing Your Site	9
Environmental Considerations	10
Inspecting and Unpacking Each Cabinet	10
Unloading the UPS System From the Pallet	11
Wiring Requirements	12
2 Installing the Harsh Environment UPS System	13
Installing the UPS Cabinet Sections	14
Grounding Joined Cabinets	15
Installing UPS Internal Power and Control Wiring	16
Installing UPS External Wiring	17
Preparing the UPS for Installing Optional Accessories	17
Initial Startup	17
Completing the Installation Checklist	18
Installation Checklist	19
3 Installing a Remote EPO Control	21
4 Installing a Remote Monitor Panel	23
5 Installing a Relay Interface Module	29
6 Installing a Supervisory Contact	33

Section II Operation	37
7 Understanding UPS Operation	39
Looking Inside the UPS	40
Normal Mode	41
Bypass Mode	42
Battery Mode	43
Maintenance Bypass Mode	44
Monitoring and Controlling UPS Operation	45
8 Controls and Features	47
UPS Controls	47
Monitor Panel	47
Control Panel	47
Maintenance Bypass	47
UPS Standard Features	47
Communication Panel	47
Input Filter	47
Emergency Power Off	48
Automatic Battery Charge Current Limit	48
Installation Features	48
Options and Accessories	48
Remote Monitor Panel	48
Relay Interface Module	48
Supervisory Contact Module	48
Modem	48
Customer Convenience Outlet	48
Safety Considerations	49
Symbols, Controls, and Indicators	50
9 Using the Monitor Panel	51
Using the LCD Screen	52
Using the Pushbuttons	53
Adjusting the Contrast	53
Reading the Status Indicators	54
Using the Menu Options	55

10 Operating the UPS	63
Using the Operating Controls	64
Operation	66
To Place the UPS in Normal Mode	66
To Shut Down the UPS from Normal Mode	66
To Start the UPS in Bypass Mode	67
To Transfer the Critical Load to Maintenance Bypass from UPS Bypass..	67
To Transfer the Critical Load to UPS Bypass from Maintenance Bypass..	67
To Cold Start the UPS from Battery (No AC Input Power)	68
To Shut Down the UPS from Cold Start	69
To Reset the DC to DC Converter	69
Using the EMERGENCY POWER OFF Pushbutton	70
To use the EMERGENCY POWER OFF Pushbutton	70
Resetting the UPS System after Emergency Power Off	70
 11 Using Features and Options	 71
Building Alarm Monitoring	71
Summary Alarm Contacts	72
Remote Monitor Panel	73
Relay Interface Module	75
Supervisory Contact Module	76
 12 Responding to System Events	 77
System Event Horns	77
System Event Lights	77
System Event Messages	78
 13 Serial Communications	 85
Locating the Communications Panel	86
Connecting Equipment to a Serial Port	87
Configuring the Serial Ports	89
Mode	90
Rate	90
Data/Stop	91
Handshaking	91
Disabled (No Handshaking)	91
XON/XOFF	91
Save	91
Default Settings	91
Terminal Mode	92
Printing Selected Information	92
Entire Log (Ctrl + P)	93

Meters Printout (Ctrl + M)	94
System Information Printout (Ctrl + A)	94
Battery Test Printout (Ctrl + B)	95
System Configuration	96
System Configuration Mode Main Menu	96
Program Building Alarms	96
Enable/Disable Default Functions	97
Customize Alarm Messages	98
Program Unit Name	98
Adjust Output Voltage	99
Change Password	99
Battery Test Setup	100
Modify Low Battery Time	101
Calibration Mode	101
Computer Mode	101
Remote Monitor Mode	101
14 Remote Notification	103
Remote Notification Features	104
Description of Operation	105
Call Answer	105
Call Out	105
Housekeeping	106
Hardware Requirements	107
Configuring the Modem	108
Basic Modem Configuration	108
Configuring the Modem to Call a Remote Computer	109
Configuring the Modem to Call a Numeric Pager	110
Configuring the Modem to Answer Incoming Calls	111
Final Modem Configuration	111
UPS Setup Configuration	112
User-Selected Events	113
15 Maintaining the UPS System	117
Important Safety Instructions	117
Performing Preventive Maintenance	118
Maintenance Training	119
16 Product Specifications	121
System Input	121
System Output	122
Environmental Specifications	123
Battery Specifications	123
Appendix A	A-1

List of Figures

Figure 1.	Powerware BPIII Harsh Environment UPS System	2
Figure 2.	Cabinet as Shipped, with Outer Packaging and Pallet	10
Figure 3.	Removing Front and Rear Supports	12
Figure 4.	UPS and Environmental Cabinets	13
Figure 5.	Cabinet-to-Cabinet Grounding	15
Figure 6.	Remote EPO Control	21
Figure 7.	Remote Monitor Panel (RMP)	24
Figure 8.	Terminal Block Bracket	25
Figure 9.	Wiring an RMP to the UPS	26
Figure 10.	Relay Interface Module	29
Figure 11.	Terminal Block Bracket	30
Figure 12.	Wiring an RIM to the UPS	31
Figure 13.	Supervisory Contact Module	33
Figure 14.	Terminal Block Bracket	34
Figure 15.	Wiring an SCM to the UPS	35
Figure 16.	Supervisory Contact Module TB2	36
Figure 17.	Main Elements of the UPS System	40
Figure 18.	Path of Current Through the UPS in Normal Mode	41
Figure 19.	Path of Current Through the UPS in Bypass Mode	42
Figure 20.	Path of Current Through the UPS in Battery Mode	43
Figure 21.	Path of Current Through the UPS in Maintenance Bypass Mode	44
Figure 22.	Location of the Monitor Panel and the Control Panel	45
Figure 23.	UPS Monitor Panel	51
Figure 24.	Parts of the LCD Screen (Typical for Powerware BPIII HE 75 480/480V Unit)	52

Figure 25. System Meters Screen (Typical for Powerware BPIII HE 75 480/480V Unit)	55
Figure 26. Load Amps Meters Screen	56
Figure 27. Event History Log Screen	57
Figure 28. Active System Events Screen	58
Figure 29. Unit Statistics Screen	59
Figure 30. Mimic Screen	60
Figure 31. Time Setup Screen	61
Figure 32. Port Setup Screen	62
Figure 33. Location of the Operating Controls	63
Figure 34. UPS Control Panel	64
Figure 35. External Connections for Building Alarm Monitoring	71
Figure 36. Summary Alarm Contacts	72
Figure 37. Remote Monitor Panel	73
Figure 38. Relay Interface Module	74
Figure 39. Supervisory Contact Module	76
Figure 40. Location of Communications Ports on the Powerware BPIII HE UPS (shown without the Environmental Cabinet)	86
Figure 41. Port 1 Pin Assignments	87
Figure 42. Port 2 Pin Assignments	88
Figure 43. Setup Serial Port 1 Screen	89
Figure 44. Event History Log	93
Figure 45. System Meters	94
Figure 46. Battery Test Log	95

Introduction

Powerware BPIII online power protection can be utilized to prevent loss of valuable electronic information, minimize equipment downtime, and/or minimize the adverse effect on equipment production due to unexpected power problems.

The Powerware BPIII Harsh Environment (HE) Uninterruptible Power Supply (UPS) system continually monitors incoming electrical power and removes the surges, spikes, sags, and other irregularities that are inherent in commercial utility power. Working with the electrical system, the UPS supplies clean, consistent power that sensitive electronic equipment requires for reliable operation. During brownouts, blackouts, and other power interruptions, one or more optional battery cabinets can provide emergency power to safeguard your operation.

The UPS will function automatically and requires very little attention during normal operation. However, read and understand the procedures described in this manual to ensure trouble-free operation.

This manual describes how to install and operate the Powerware BPIII HE Uninterruptible Power Supply (UPS) system. It contains instructions for installing and operating both the UPS and Environmental cabinets.

Each component of the Harsh Environment UPS system is housed in a free-standing cabinet. The system configuration consists of the UPS and the Environmental cabinets. Figure 1 shows the Powerware BPIII Harsh Environment UPS system.

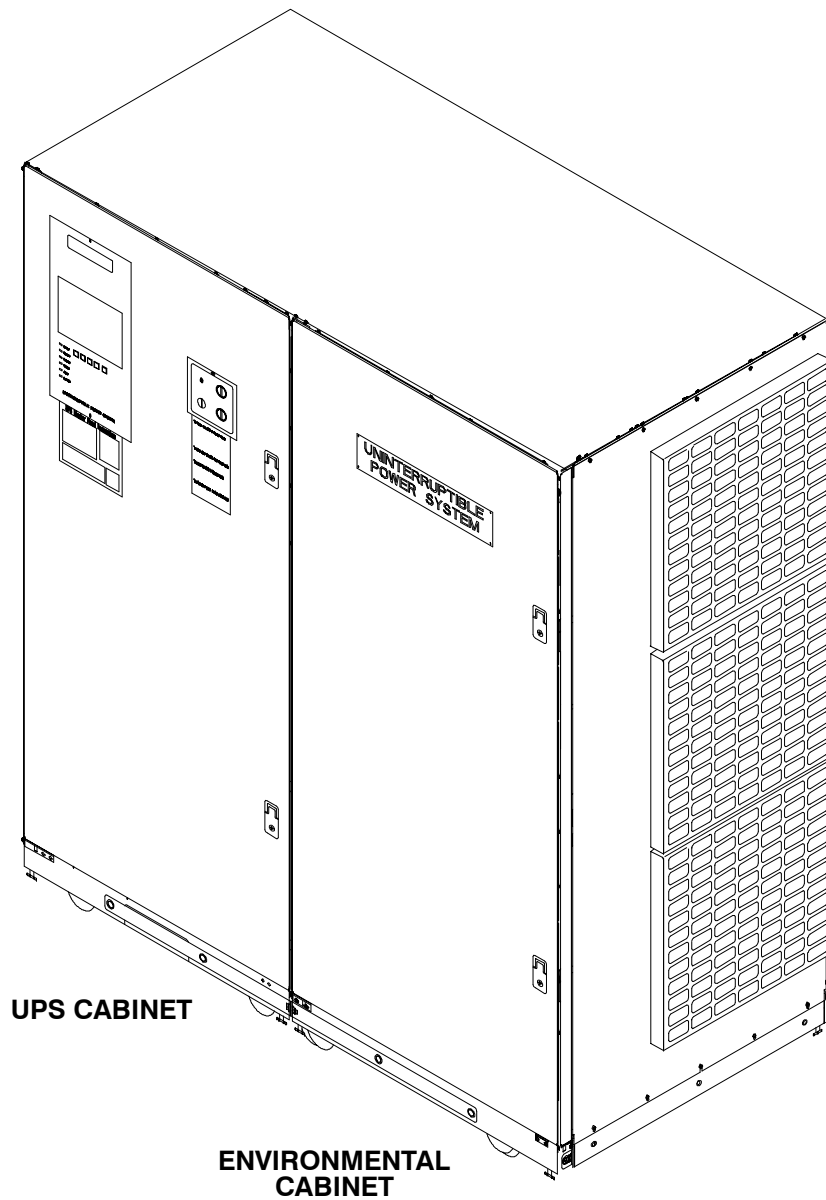


Figure 1. Powerware BPIII Harsh Environment UPS System

Using This Manual

This manual describes the Powerware BP111 HE UPS installation, operation and routine maintenance. The information in this manual is divided into the sections and chapters listed.

Introduction

The Introduction provides a brief description of the UPS system, a description of the content of each chapter, safety, text conventions used in the manual and reference information.

Section I – Installation

- **Chapter 1 – Getting Started** – tells you how to prepare your site for the installation of your UPS system. It discusses equipment environmental requirements, inspecting, and unpacking cabinets.
- **Chapter 2 – Installing the Harsh Environment UPS System** – describes how to install the UPS system.
- **Chapter 3 – Installing a Remote EPO Control** – discusses installing the optional Remote Emergency Power Off (EPO) control.
- **Chapter 4 – Installing a Remote Monitor Panel** – contains information for installing the optional Remote Monitor Panel (RMP).
- **Chapter 5 – Installing a Relay Interface Module** – contains information for installing the optional Relay Interface Module (RIM).
- **Chapter 6 – Installing a Supervisory Contact Module** – contains information for installing the optional Supervisory Contact Module (SCM).

Section II – Operation

- **Chapter 7 – Understanding UPS Operation** – provides information on understanding the operation UPS.
- **Chapter 8 – Controls and Features** – describes the standard features and controls of the UPS system.
- **Chapter 9 – Using the Monitor Panel** – describes the controls and indicators found on the Monitor Panel and shows the various information screens displayed on the LCD screen.
- **Chapter 10 – Operating the UPS** – contains startup and shutdown procedures for the UPS system.
- **Chapter 11 – Using Features and Options** – contains descriptions and instructions for the UPS system features and options.
- **Chapter 12 – Responding to System Events** – lists all the alarm, messages and notices that occur during operation of the UPS system.

- **Chapter 13 – Serial Communications** – describes the serial communications features of the UPS system.
- **Chapter 14 – Remote Notification** – contains instructions for using the remote notification feature of the UPS system.
- **Chapter 15 – Maintaining the UPS System** – contains maintenance instructions for the UPS system.
- **Chapter 16 – Product Specifications** – provides detailed specifications for the UPS system.
- **Appendix A – Customer Information** – contains important information on wiring requirements and recommendations, and important diagrams of the cabinet’s mechanical details and electrical access.

Read through each procedure before you begin.

Conventions Used in This Manual

The text in this manual uses these conventions:

- **Bold type** highlights important concepts in discussions, key terms in procedures, and menu options.
- Rectangular boxes containing bold type are warnings or cautions that pertain to the UPS system or its electrical connections. This important information alerts you to possible dangers pertaining to personnel safety, UPS or equipment damage, critical load protection, or operational concerns.
- *Italic type* highlights notes and new terms where they are defined.

In this manual, the term *UPS* or *UPS system* refers to the UPS cabinet and its internal elements and the environmental cabinet. The rectifier and inverter are internal UPS components that are together referred to as the *power processing unit (PPU)* of the UPS.

Safety Considerations

The UPS and Environmental cabinets are designed for industrial applications in harsh environments. However, the UPS system is a sophisticated power system and should be handled with appropriate care, following these guidelines:

- **Keep surroundings clean and free from excess moisture.**
- **Do not operate the UPS system close to gas or electric heat sources.**
- **The system is not intended for outdoor use.**
- **The operating environment should be maintained within the parameters stated in this manual.**
- **Keep the cabinet doors closed to ensure proper cooling airflow and to protect personnel from dangerous voltages inside the unit.**
- **The system contains its own power source. Lethal voltages are present even when the UPS is disconnected from utility power.**

<p>WARNING: Only AUTHORIZED SERVICE PERSONNEL should perform service or maintenance on the parallel redundant system.</p>

If service or routine maintenance is required:

- **Ensure all power is disconnected before performing installation or service.**
- **Ensure the area around the UPS system is clean and uncluttered.**
- **Observe all DANGER, CAUTION, and WARNING notices affixed to the inside and outside of the equipment.**

Getting Help

If you need to schedule initial startup, need regional locations and telephone numbers, have a question about any of the information in this manual, or have a question this manual does not answer, please call Powerware at:

United States	1-800-843-9433
Canada	1-800-461-9166
Outside the U.S.	Call your local representative

This Page Intentionally Left Blank.

Section I

Installation

This Page Intentionally Left Blank.

1

Getting Started

The Harsh Environment (HE) UPS system is shipped as two separate cabinets (UPS Cabinet and Environmental Cabinet). Each cabinet is shipped on a wood/foam and steel pallet. Use a forklift or pallet jack to move the packaged cabinets to the installation site, or as close as possible to the site, before unloading from the pallets.

This is the basic sequence of the installation steps:

1. Create an installation plan for the UPS and Environmental cabinets.
1. Prepare your site for the UPS system.
2. Inspect, unpack, and unload the cabinets.
3. Wire the cabinets as applicable (Chapter 2).
4. Complete the Installation Checklist (Chapter 2).
5. Have authorized service personnel perform preliminary checks and startup.

After wiring the UPS system to the facility power and critical load(s), be sure to ground the system according to local and/or national electrical wiring codes, using your own cabling and conduit.

NOTE: *Startup and operational checks should be performed only by authorized service personnel. This service is usually offered as part of the sales contract for your UPS system.*

Creating an Installation Plan

Before beginning to install your UPS system, you should be sure you understand the instructions in this manual. Use the procedures and illustrations in the following sections to create a logical plan for installing the UPS system. The information in this chapter and Chapter 2 will help you plan the installation.

Preparing Your Site

For your UPS system to operate at peak efficiency, your installation site should meet the environmental parameters outlined in this manual. If you intend to operate the UPS at an altitude higher than 1500 meters (5000 feet), contact your local sales or service office for important information about high altitude operation. The operating environment must meet the size and weight requirements shown in Table J of Appendix A.

The basic environmental requirements for operation of the UPS system are:

Ambient Temperature Range: 0–50° C (32–122° F)

Recommended Operating Range: 20–25° C (68–77° F)

Maximum Relative Humidity: 95%

The UPS and Environmental cabinets use forced air cooling to regulate internal component temperature. Air inlets are on the right side of the Environmental Cabinet and outlets are on the top of the UPS cabinet. You must allow clearance in front of and above each cabinet for proper air circulation.

Environment Considerations

The UPS system must be installed on a sealed concrete floor.

WARNING:
Installation should be performed by qualified personnel.

Inspecting and Unpacking Each Cabinet

The first task in preparing for installation is inspecting and unpacking each cabinet. Cabinets arrive covered with protective packaging material as shown in Figure 2.

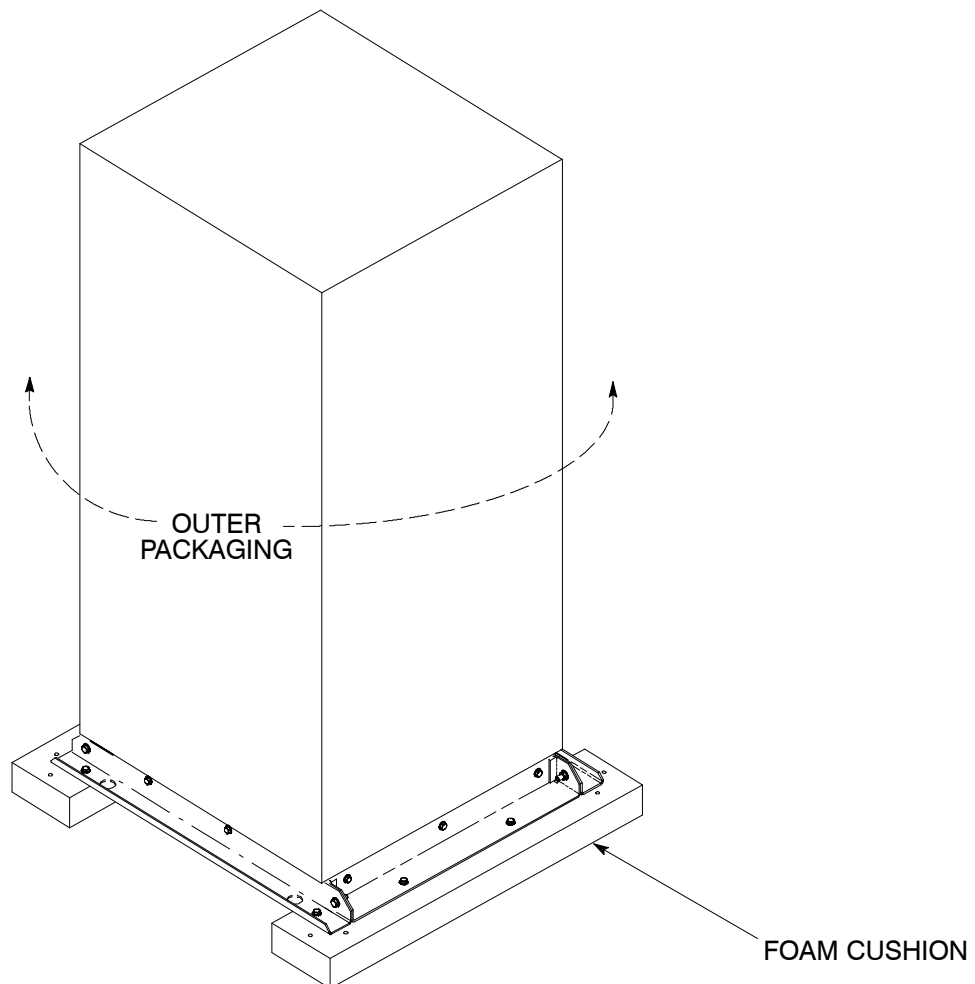


Figure 2. Cabinet as Shipped, with Outer Packaging and Pallet

1. Carefully inspect the outer packaging for evidence of damage during transit.

CAUTION:
Do not install a damaged cabinet. Report any damage to the carrier and contact your local sales or service office immediately.

2. Use a forklift or other material handling equipment to move the cabinets to a convenient unpacking area. Insert the forklift jacks between the foam cushions on the bottom of the unit.

CAUTION:
DO NOT tilt cabinets more than 10 degrees from vertical.

3. Set each pallet on a firm, level surface, allowing a minimum clearance of 4.6m (15 ft) on each side for removing the cabinets from the pallets.
 4. Cut the steel bands around each cabinet.
 5. Remove the protective cardboard covering from the cabinets, cutting where indicated, using a knife blade no longer than 25 mm (1 in.).
- NOTE:** *Do not discard the packaging material yet. Instructions for unloading the cabinet from the pallet are printed on the cardboard, and you will need to refer to them.*
6. Remove the plastic bag and foam packing material, and discard or recycle them in a responsible manner.

Unloading the UPS System From the Pallet

The UPS and Environmental cabinets are each bolted to sheet metal pallets consisting of four supports secured to foam cushions. The foam cushions act as shock absorbers for the cabinet during shipment.

WARNING:
UPS cabinets are extremely heavy. If unloading instructions are not closely followed, the cabinet may tip and cause serious injury.

Turning the jacking bolts unevenly may cause the cabinet to become unbalanced. To prevent tipping, raise and lower the jacking bolts evenly. The cabinet should only be raised approximately 3 mm (1/8 in.) above the floor (just enough to remove foam cushions).

1. Starting with the UPS cabinet, open and remove the cabinet door. Remove the retaining screw located inside the door at the bottom hinge pivot point, then lift the door off. Save the retaining screws for reinstallation of the door.
2. Locate the field kit (packed inside of the cabinet or communication panel). Locate the four ½-in. jacking bolts and install them in the threaded holes in the front and rear supports. Place a floor protector underneath each jacking bolt, and screw the bolts down against them. The floor protectors will save the floor from being marred by the jacking bolts.
3. Loosen, but do not remove the hardware holding the foam cushions to the front and rear supports (labeled “1” in Figure 3).
4. Turn each jacking bolt consecutively, two full turns, until the foam cushions clear the floor by approximately 3 mm (1/8 in.).
5. After the foam cushions clear the floor, remove the hardware loosened in step 3. Pull the foam cushions out from under the cabinet, and discard or recycle them in a responsible manner.

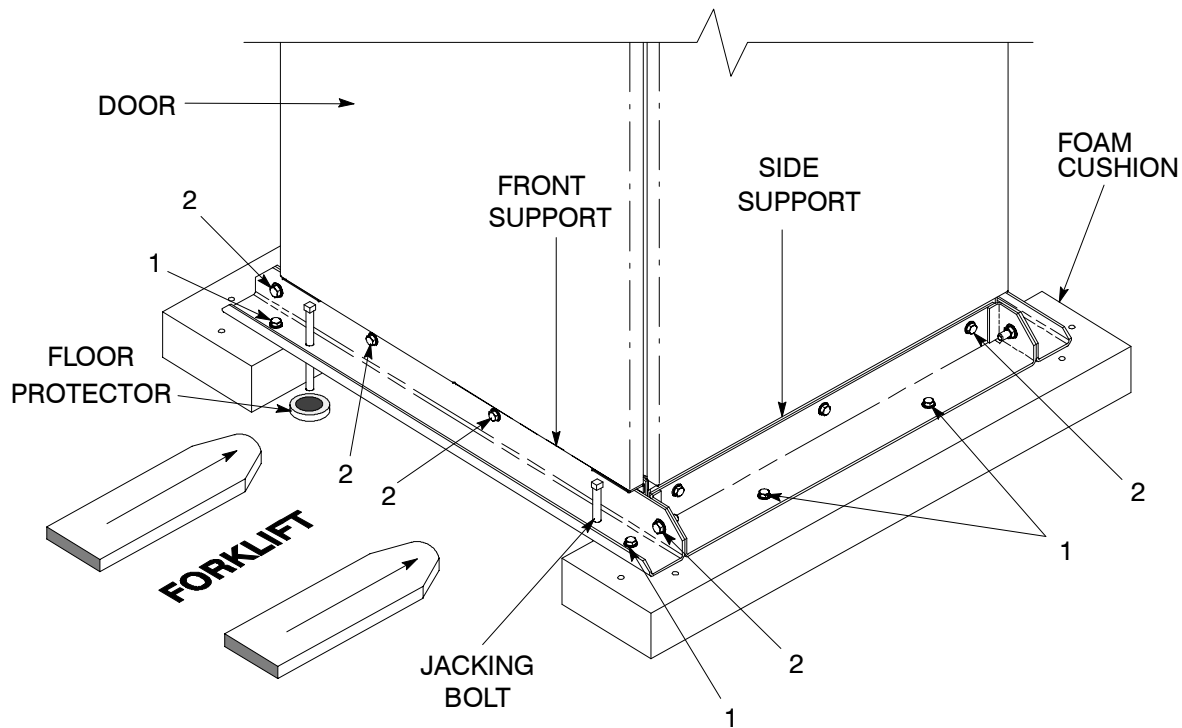


Figure 3. Removing Front and Rear Supports

WARNING:

Cabinet may fall. Do not loosen hardware attaching the side or front supports to cabinet base. Also, do not loosen supports from each other. The cabinet must be lowered using jacking bolts before supports can be removed.

6. Carefully and evenly lower the cabinet by turning each jacking bolt consecutively two full turns (maximum) until the supports contact the floor, and the cabinet is no longer supported by the jacking bolts.
7. After the cabinet is resting on the floor, remove the jacking bolts and discard or recycle them in a responsible manner.
8. Remove the hardware labeled “2” in Figure 3, holding the front, rear and side supports to the cabinet base. Discard or recycle the hardware and support brackets in a responsible manner.
9. Replace the door that was removed in step 1. The cabinet is now ready to be rolled to its final location.
10. Repeat steps 1 through 9 for the Environmental cabinet.

Wiring Requirements

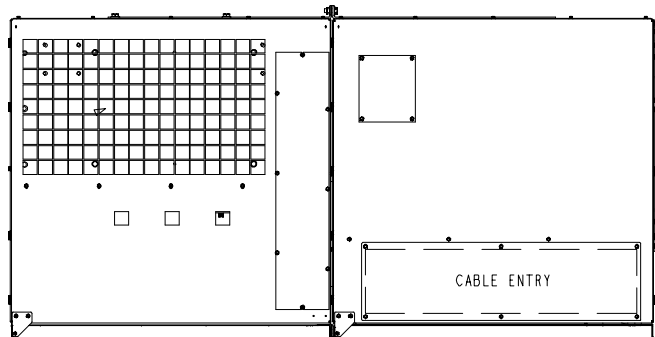
For external wiring requirements, including the minimum AWG size of external wiring, see Tables A and E of Appendix A. The power wiring for this equipment is rated at 90°C.

2

Installing the Harsh Environment UPS System

After the UPS system is unpacked and moved to the final installation location, the UPS and Environmental Cabinets are ready to be joined. Once the cabinets are joined, internal and external wiring is installed. Figure 4 shows the UPS and Environmental cabinets assembled. The top view shows the cable entry plate in the Environmental cabinet.

TOP VIEW



FRONT VIEW

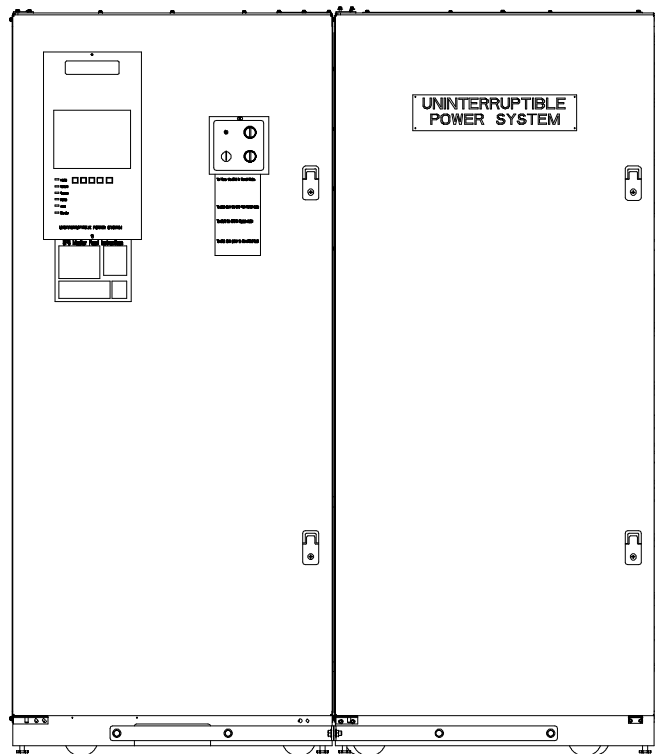


Figure 4. UPS and Environmental Cabinets

WARNING:
Installation should be performed by qualified personnel.

Note the following important information while installing the UPS:

- Dimensions in this manual are provided in millimeters and inches.
- Do not tilt the UPS or other cabinets more than $\pm 10^\circ$ during installation.
- Cooling exhaust airflow is approximately 614.0 L/S (1300 CFM).
- The conduit landing plate is to be removed to add conduit landing holes as required. Plate material is 16 gauge steel (0.06 in. thick).
- Terminals E9 through E15 and E19–E35 are UL and CSA rated at 90°C. A hex key tool is required to attach wires to the terminals.
- Details about control wiring are provided in each procedure for connecting options and features. Table L in Appendix A identifies the control wiring terminations.

Installing the UPS Cabinet Sections

1. Move the UPS and Environmental cabinets together, placing the UPS cabinet on the left side of the Environmental Cabinet.
2. Secure the UPS and Environmental cabinets with the leveling feet provide on each cabinet.
3. Locate the field kit and remove cabinet joining brackets and hardware from the kit.
4. Install the brackets to the front and rear of each cabinet base, using the threaded holes provided. Brackets should be mounted so that the tabs at end of the brackets meet between the two cabinets.
5. Install bolts through the tabs at front and back and secure with washers and nuts.
6. Secure cabinet sides to each other at the top front and top back with 1/2 inch bolts, washers and nuts from the field kit. Use the holes provide in the cabinet sides.
7. Attach a ground to the joined cabinets using the procedure “*Grounding Joined Cabinets*” in this chapter.

Grounding Joined Cabinets

Open the door of each cabinet. Locate the grounding stud at the front/side of each frame. Remove the top nut, lock washer, and flat washer from each stud (if attached, see Figures 5).

1. Locate the grounding cable (part of the field kit, located in a small bag which is fastened to the UPS cabinet in the customer terminal area).
2. Mount the grounding cable as shown in Figure 5, attaching it to the frame of each cabinet using the hardware previously removed.

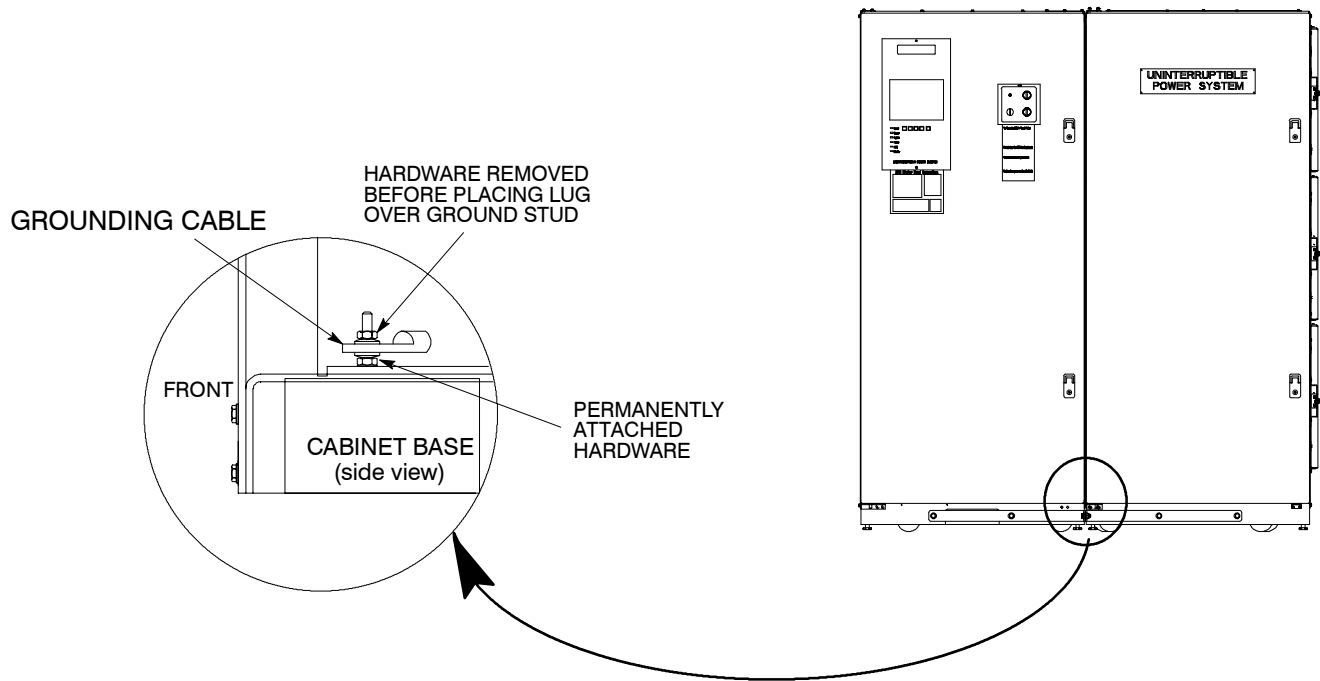


Figure 5. Cabinet-to-Cabinet Grounding

Installing UPS Internal Power and Control Wiring

NOTE: *The cables used in steps 2 through 12 are coiled inside the Environmental cabinet and are attached at the factory to the terminals inside this cabinet. Wiring harness with connectors J20, J22, and J23 are coiled inside the UPS cabinet. Wiring harness with connectors P20, P22, and P23 are coiled inside the Environmental cabinet. Refer to Drawings 164201261–1 and 164201261–4 in Appendix A of this manual for wiring and termination requirements and terminal locations.*

1. Remove the sheet metal shield covering the bottom half of the UPS cabinet.
2. Route DC input cables (cables 205 and 206) from the Environmental cabinet through the cutout in cabinet sides to the DC UPS Input terminals in the UPS cabinet.
3. Connect positive DC power cable 205 to the DC input terminal E4. Refer to Appendix A of this manual for terminal locations and tightening torque.
4. Connect negative DC power cable 206 to the DC input terminal E5. Refer to Appendix A of this manual for terminal locations and tightening torque.
5. Route AC Input Bypass Transformer cables (cables 227, 228 and 229) from the Environmental cabinet through the cutout in cabinet sides to the Bypass Transformer Input terminals in the UPS cabinet.
6. Connect phase A, B, and C power wiring cables 227, 228, and 229 to Bypass Transformer Input terminals E13, E14, and E15 respectively. Refer to Appendix A of this manual for terminal locations and tightening torques.
7. Route AC Input to UPS Rectifier cables (cables 250, 251 and 252) from the Environmental cabinet through the cutout in cabinet sides to the UPS Rectifier Input terminals in the UPS cabinet.
8. Connect phase A, B, and C power wiring cables 250, 251, and 252 to AC Input to UPS Rectifier Input terminals E1, E2, and E3 respectively. Refer to Appendix A of this manual for terminal locations and tightening torques.
9. Route AC Output cables (cables 237, 238 and 239) from the Environmental cabinet through the cutout in cabinet sides to the AC Output terminals in the UPS cabinet.
10. Connect phase A, B, and C power wiring cables 237, 238, and 239 to AC Output terminals E9, E10, and E11 respectively. Refer to Appendix A of this manual for terminal locations and tightening torques.
11. Route two Neutral cables (cable 600) from the Environmental cabinet through the cutout in cabinet sides to the Neutral terminal in the UPS cabinet.
12. Connect two Neutral power wiring cables 600 to Neutral terminal E12. Refer to Appendix A of this manual for terminal locations and tightening torques.
13. Route wiring harness with connectors P20, P22, and P23 from the Environmental cabinet through the cutout in cabinet sides.
14. Connect connectors P20, P22, and P23 to connectors J20, J22, and J23 respectively.
15. Reinstall UPS Cabinet sheetmetal shield.

Installing UPS External Wiring

1. Install rectifier, bypass, and battery input power wiring to terminals in the Environmental cabinet. Refer to Drawings 164201261–1 and 164201261–4 in Appendix A of this manual for wiring and termination requirements and terminal locations.
2. Install the critical load output power wiring to terminals in the Environmental cabinet. Refer to Drawings 164201261–1 and 164201261–4 in Appendix A of this manual for wiring and termination requirements and terminal locations.
3. Reinstall cabinet doors.

Preparing the UPS for Installing Optional Accessories

If you are installing optional accessories, such as a Remot EPO or an RMP, you must prepare the UPS cabinet for the installation of these options.

To prepare the UPS for wiring to an RMP, RIM, SCM or Remote EPO:

1. Be sure the UPS is turned off and all power sources are removed. (See the operator's manual for instructions.)
2. Open the doors of the UPS.
3. Remove the lower sheetmetal shield. Set the shield and hardware aside for later reuse.

Initial Startup

Startup and operational checks should be performed only by authorized service personnel. Contact service in advance (usually a two week notice is required) to reserve a preferred startup date.

Completing the Installation Checklist

The final step in installing the UPS system is completing the following Installation Checklist. This checklist ensures that all hardware, cables, and other equipment have been completely installed. Completing all items on the checklist will ensure a smooth installation. Make a copy of the Installation Checklist before filling it out, and retain the original.

After the installation is complete, a service representative will be able to verify the operation of the UPS system and commission it to support the critical load. The service representative cannot perform any installation tasks other than verifying software and operating setup parameters. Service personnel may request a copy of the completed Installation Checklist to be sure you have completed all applicable equipment installation.

NOTE: *The Installation Checklist MUST be completed prior to starting the UPS system for the first time.*

Installation Checklist

- All packing materials and restraints have been removed from each cabinet.
- Each cabinet in the UPS system is placed in its installed location.
- All cabinets are bolted together.
- A ground bond is installed between all cabinets that are bolted together.
- All switchboards, conduits, and cables are properly routed to the UPS.
- Power cables are terminated on AC Input terminals (UPS Cabinet) (E1 –E3).
- Power cables are terminated on Bypass Transformer input terminals (UPS Cabinet) (E13–E15).
- Power cables are terminated on AC Output terminals (UPS Cabinet) (E9–E12).
- Power cables are terminated on DC Input terminals (UPS Cabinet) (E4–E5).
- Power cables are terminated on bypass terminals (E19–E21).
- Power cables are terminated on the CB1 input breaker (E33–E35).
- Power cables are terminated on output terminals (E25–E27).
- A ground conductor is properly installed.
- If N is used, no other N–G bonds exist downstream from the UPS.
- Battery cables and harness are terminated on the CB2 battery breaker E31 and E32.
- The area around the installed UPS system is clean and dust-free. (It is recommended that the UPS be installed on a sealed concrete pad on a sealed concrete floor.)
- Adequate workspace exists around the UPS and other cabinets.
- Adequate lighting is provided around all UPS equipment.
- A 120V service outlet is located within 25 feet of the UPS equipment.

3

Installing a Remote EPO Control

The Remote EPO control arrives as shown in Figure 6. See Drawing 164201261–7 in Appendix A for enclosure dimensions, side views, and knockout patterns.

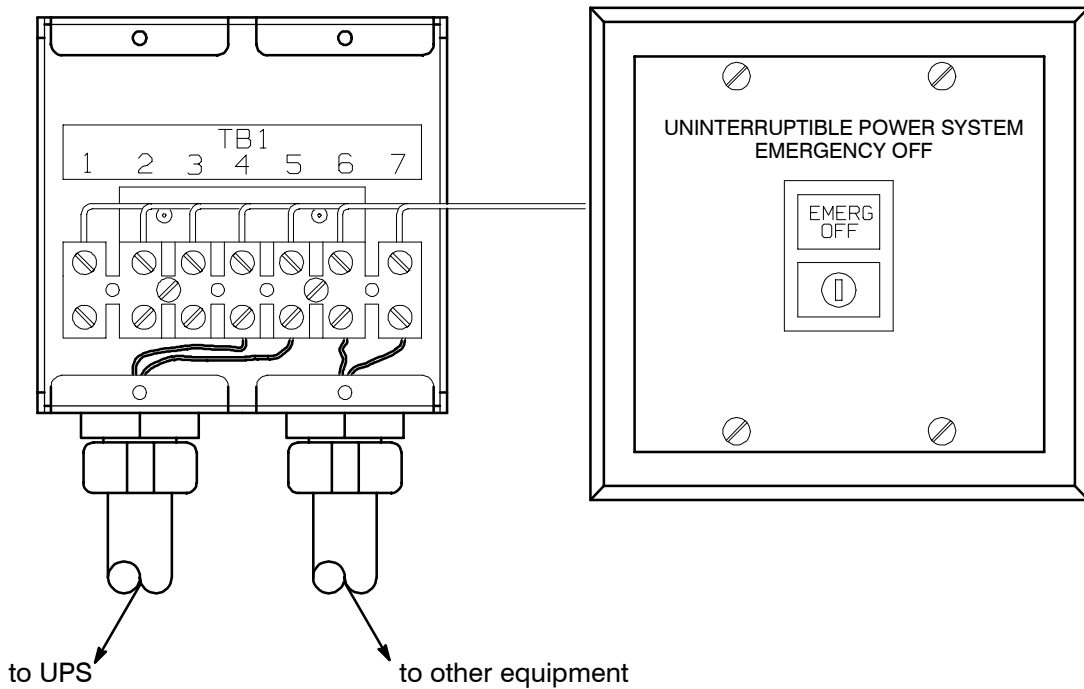
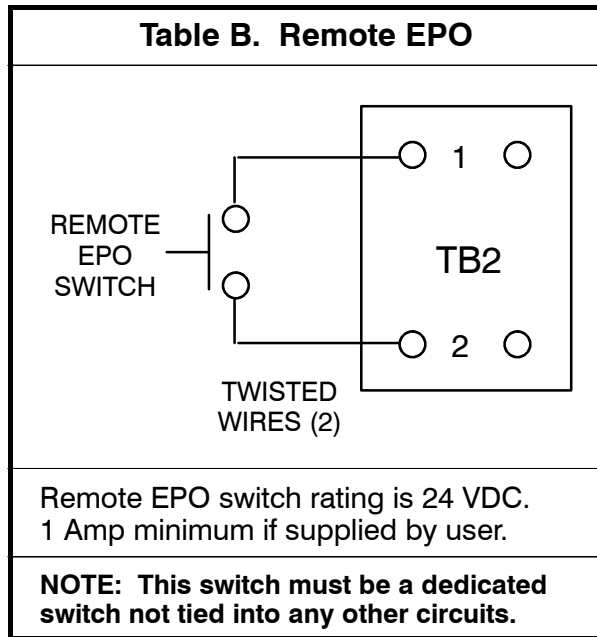


Figure 6. Remote EPO Control

To install a Remote EPO control:

1. Securely mount the Remote EPO station. Recommended locations include operator's consoles or exit doors.
2. Install wiring from the Remote EPO station using 1/2-in. conduit through the 7/8-in. knockout in either the top or bottom of the UPS.
3. Connect the Remote EPO wiring as shown in Tables A and B:

Table A. Remote EPO Wire Terminations		
From REPO Station(s)	To Communications Panel in UPS	Remarks
TB1–4	TB2–1	Twisted wires (2) 14–18 gauge
TB1–5	TB2–2	



4. If installing multiple Remote EPO stations, wire additional stations in parallel with the first Remote EPO.
5. If required, install 1/2-in. conduit and wiring from the Remote EPO station to trip circuitry of upstream protective devices. A normally open contact is provided, as shown in Table B. Remote EPO switch wiring must be in accordance with UL Class II requirements.
6. Secure the UPS by reversing all steps taken to prepare it for Remote EPO installation.

4

Installing a Remote Monitor Panel

As an option, a Remote Monitor Panels (RMPs) can be installed to monitor the operation of the UPS system from virtually any location within the facility, up to 500 feet from the UPS. Flush-mount or surface-mount an RMP on a desktop or on a wall, wherever you have a serial interface line. A maximum of two monitoring accessories (RMPs, RIMs, or SCMs) can be installed. See Table C for the number of accessories permitted. Figure 7 shows an RMP. Drawing 164201261-7 in Appendix A shows the enclosure dimensions and knockout patterns.

Table C. Optional Monitoring Accessories		
Number and Type of Accessories Permitted		
Remote Monitor Panel	Relay Interface Panel	Supervisory Contact Module
2	—	—
—	2	—
—	—	2
1	1	—
1	—	1
—	1	1

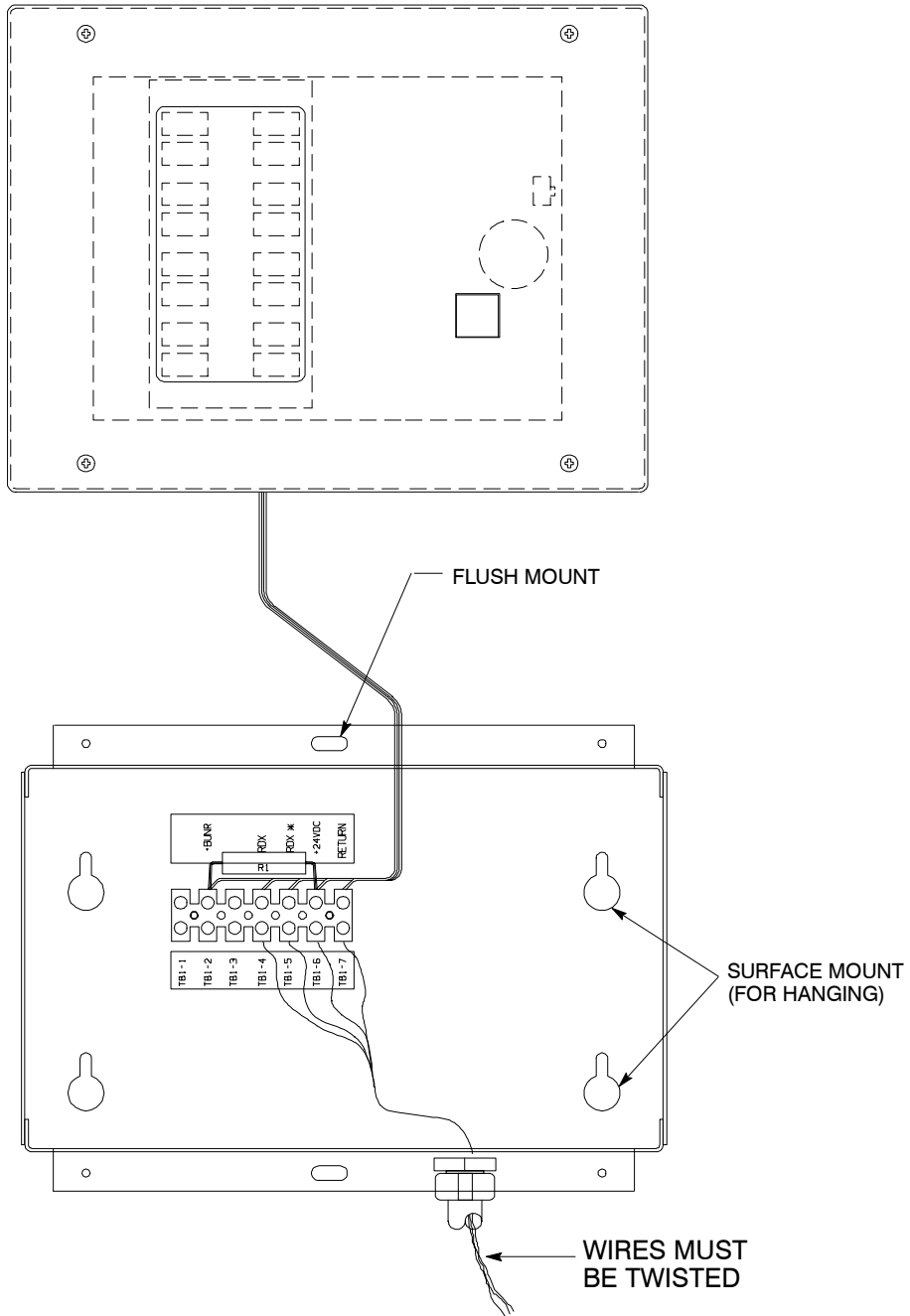


Figure 7. Remote Monitor Panel (RMP)

Before installing an RMP, be sure you have prepared the UPS according to the instructions in Chapter 2.

To install an RMP:

1. Securely mount the RMP(s).
2. Install wiring from the RMP using ½-in. conduit through the cable entry panels in either the top or bottom of the UPS cabinet.

The top entry connection requires installation of ½-in. flexible conduit within the UPS. Bottom entry connection requires no additional routing of conduit within the UPS.

3. In the spare parts kit, locate the RMP adapter cable assembly (see Figure 8). Mate the DB-9 connector on the back of the terminal block into the DB-9 connector on the Communications Panel of the UPS (see Figure 9). Use two screws from the spare parts kit to secure the terminal block bracket to the Communications Panel.

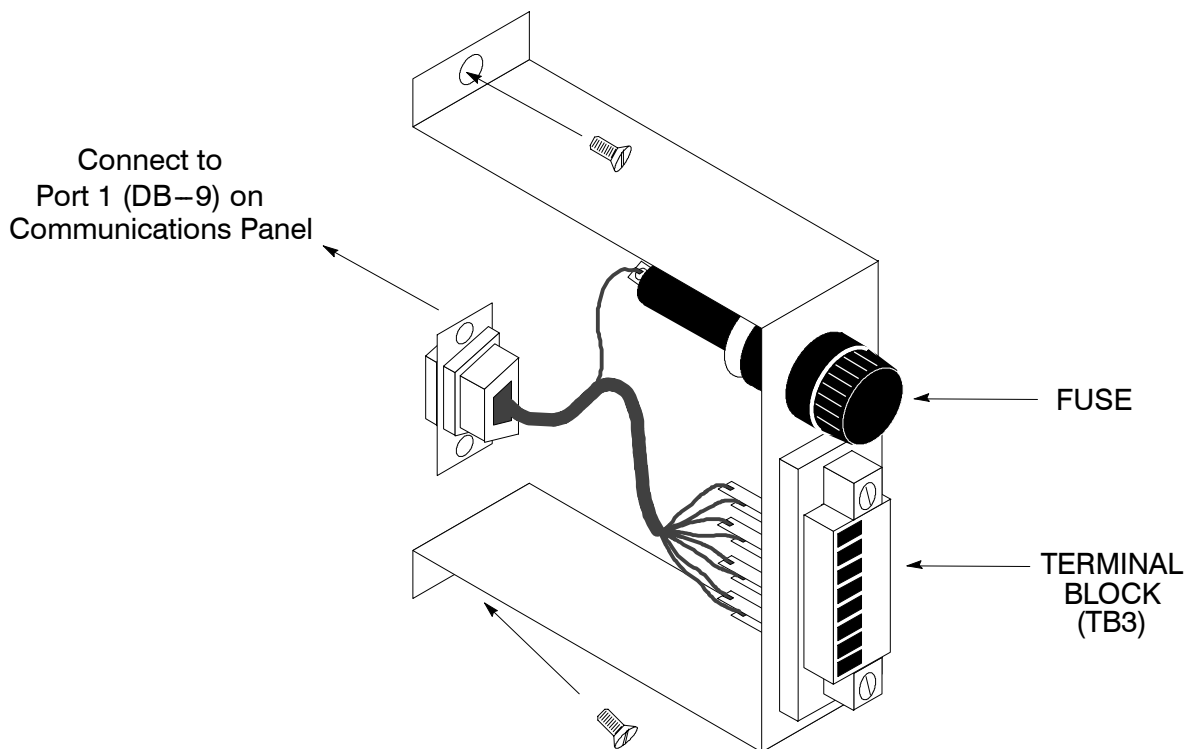


Figure 8. Terminal Block Bracket

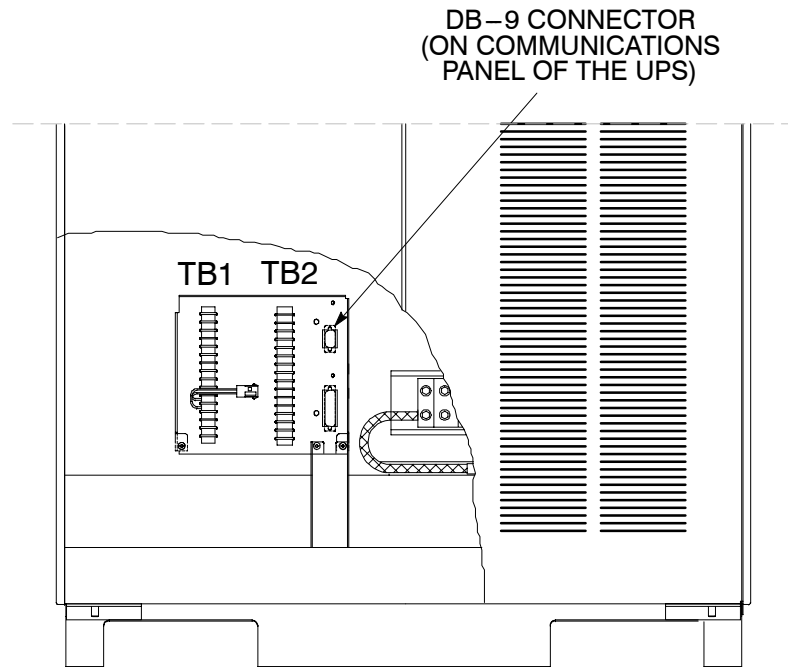


Figure 9. Wiring an RMP to the UPS

4. Connect RMP wiring to the terminal block using terminations shown in Table D.

Table D. RMP Wire Terminations		
<i>From RMP A</i>	<i>To UPS</i>	<i>Remarks</i>
TB1-4	TB3-1	TWISTED WIRES (4) 1-2 TURNS PER 3 INCHES
TB1-5	TB3-2	
TB1-6	TB3-3	
TB1-7	TB3-4	
<i>From RMP B (if used)</i>	<i>To UPS</i>	<i>Remarks</i>
TB1-4	TB3-5	TWISTED WIRES (4) 1-2 TURNS PER 3 INCHES
TB1-5	TB3-6	
TB1-6	TB3-7	
TB1-7	TB3-8	

5. To check the operation of the RMP, ensure that the UPS is supplying the load via inverter or bypass. If the indicators on the RMP show the appropriate status, then it is operating correctly.

If the communications link between the UPS and the RMP is not present, the RMP will self-test (all indicators flash and the horn beeps at one-second intervals). If this occurs, check all harness connectors and the fuse for proper seating. If all connections are secure but the RMP continues to self-test, replace the fuse with the spare included in the hardware kit. If this does not correct the problem, contact your local field service office for verification that the RMP is working correctly.

6. To test the indicator lamps, press the horn silence button and hold it for 3 seconds. All lamps should light, and the horn will sound continuously until you release the button.
7. Repeat steps 1, 2, and 4 through 6 for each RMP you are installing.
8. If you are installing an RIM or SCM in addition to an RMP, proceed to Chapter 5 or 6, respectively; otherwise, secure the UPS cabinet by reversing the steps contained in procedure “To Prepare the UPS for Wiring to an RMP, RIM, SCM, or Remote EPO” of Chapter 2.

This Page Intentionally Left Blank.

5

Installing a Relay Interface Module

The optional Relay Interface Module (RIM) uses relay contact closures to indicate the operating status and alarm condition of the UPS system. The module uses an RS422 serial interface line and may support up to eight critical loads. A maximum of two monitoring accessories (RMPs, RIMs, or SCMs) can be installed. Refer to Chapter 4, Table C for the number of accessories permitted. Figure 10 shows the RIM with its four 15-pin connectors labeled J1 through J4. Drawing 164201261 –8 in Appendix A outlines the enclosure dimensions.

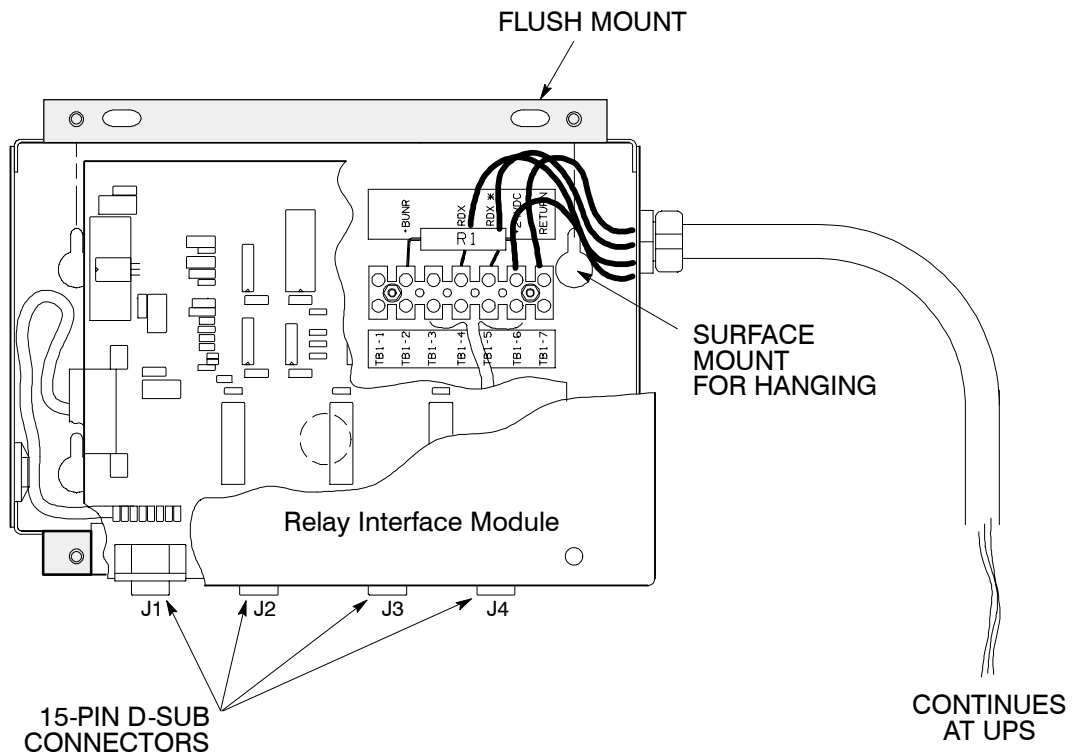


Figure 10. Relay Interface Module

Before installing an RMP, be sure you have prepared the UPS according to the instructions in Chapter 2.

To install an RIM:

1. Securely mount the RIM.
2. Install wiring from the RIM using 1/2-in. conduit through the 7/8-in. knockout in either the top or bottom of the UPS cabinet.

The top entry connection requires installation of 1/2-in. flexible conduit within the UPS. Bottom entry connection requires no additional routing of conduit within the UPS.

3. If not already installed, locate the RMP adapter cable assembly (see Figure 11) in the spare parts kit. Mate the DB-9 connector on the back of the terminal block into the DB-9 connector on the Communications Panel of the UPS (see Figure 12). Use two screws from the spare parts kit to secure the terminal block bracket to the Communications Panel.

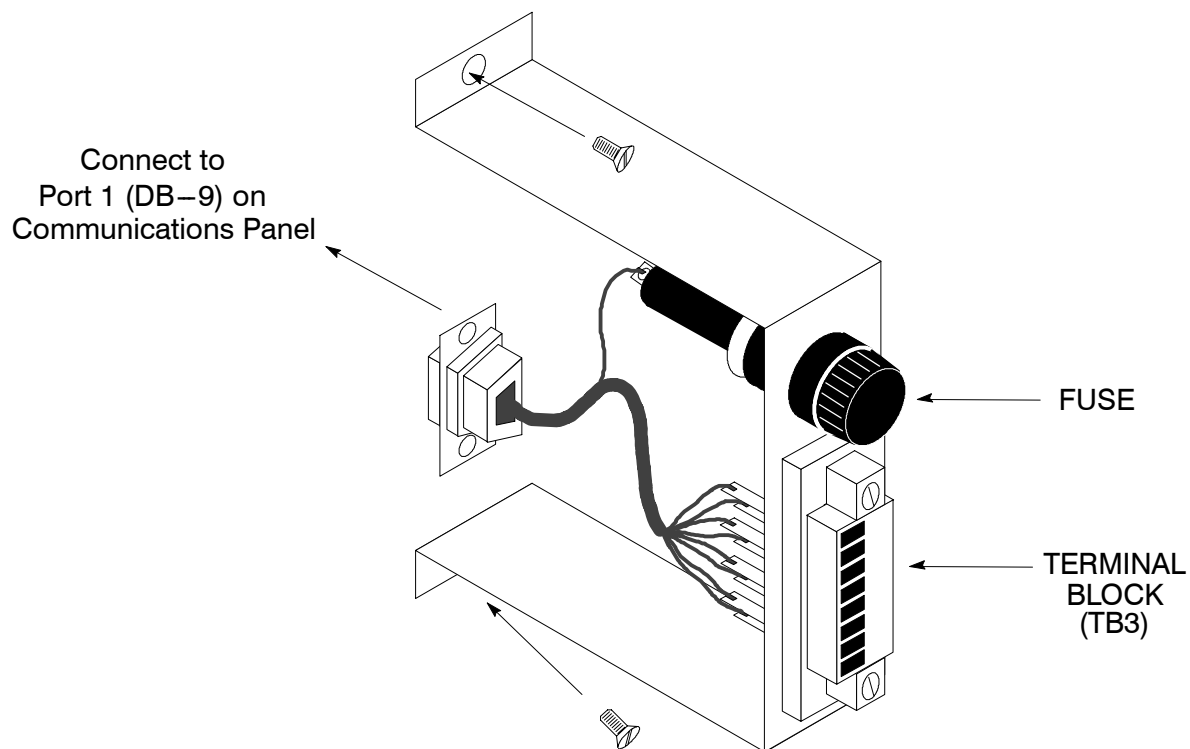


Figure 11. Terminal Block Bracket

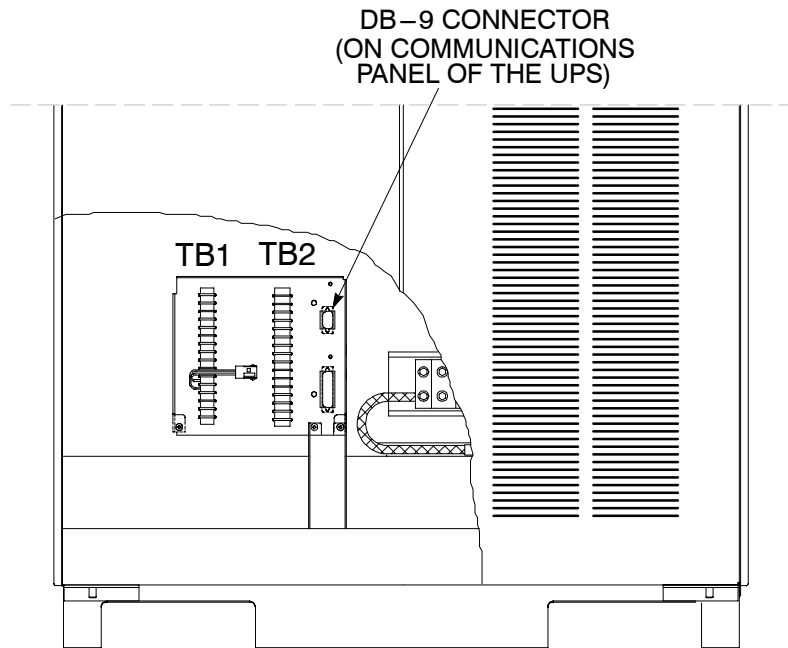


Figure 12. Wiring an RIM to the UPS

4. Connect RIM wiring to the terminal block using the terminations shown in Table E.
5. Contact your local field service office for verification and testing of the RIM and its connections prior to making connections with J1–J4.

You can order interface cables separately for connecting to the 15-Pin D-Sub Connectors.
6. Repeat steps 1 through 5 for each RIM you are installing.
7. If you are installing an RMP or SCM in addition to an RIM, proceed to Chapter 4 or 6, respectively; otherwise, secure the UPS cabinet by reversing the steps contained in procedure “To Prepare the UPS for Wiring to an RMP, RIM, SCM, or Remote EPO” of Chapter 2.

Table E. RIM Wire Terminations		
<i>From RIM A</i>	<i>To UPS</i>	<i>Remarks</i>
TB1–4	TB3–1	TWISTED WIRES (4) 1–2 TURNS PER 3 INCHES
TB1–5	TB3–2	
TB1–6	TB3–3	
TB1–7	TB3–4	
<i>From RIM B (if used)</i>	<i>To UPS</i>	<i>Remarks</i>
TB1–4	TB3–5	TWISTED WIRES (4) 1–2 TURNS PER 3 INCHES
TB1–5	TB3–6	
TB1–6	TB3–7	
TB1–7	TB3–8	

6

Installing a Supervisory Contact Module

The optional Supervisory Contact Module (SCM) as shown in Figure 13 provides contacts for monitoring UPS status. A maximum of two monitoring accessories (RMPs, RIMs, or SCMs) can be installed. Refer to Chapter 4, Table C for the number of accessories permitted. See Drawing 164201261–9 in Appendix A for enclosure dimensions, side views, and knockout patterns.

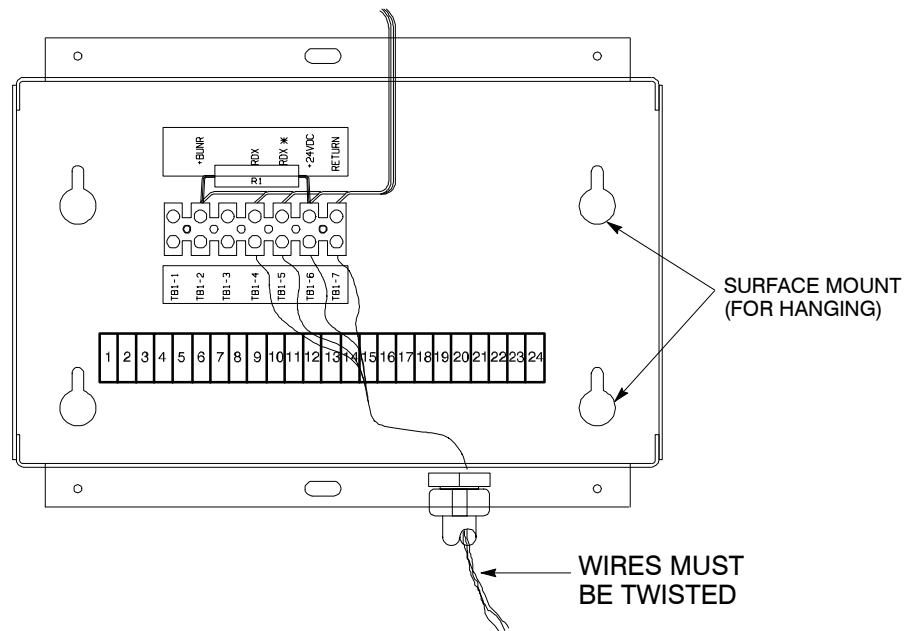


Figure 13. Supervisory Contact Module

Before installing an RMP, be sure you have prepared the UPS according to the instructions in Chapter 2.

To install a Supervisory Contact Module:

1. Securely mount the SCM.
2. Install wiring from the SCM using $\frac{1}{2}$ -in. conduit through the $\frac{7}{8}$ -in. knockout in either the top or bottom of the UPS cabinet.

The top entry connection requires installation of $\frac{1}{2}$ -in. flexible conduit within the UPS. Bottom entry connection requires no additional routing of conduit within the UPS.

3. If not already installed, locate the RMP adapter cable assembly (see Figure 14) in the spare parts kit. Mate the DB-9 connector on the back of the terminal block into the DB-9 connector on the Communications Panel of the UPS (see Figure 15). Use two screws from the spare parts kit to secure the terminal block bracket to the Communications Panel.

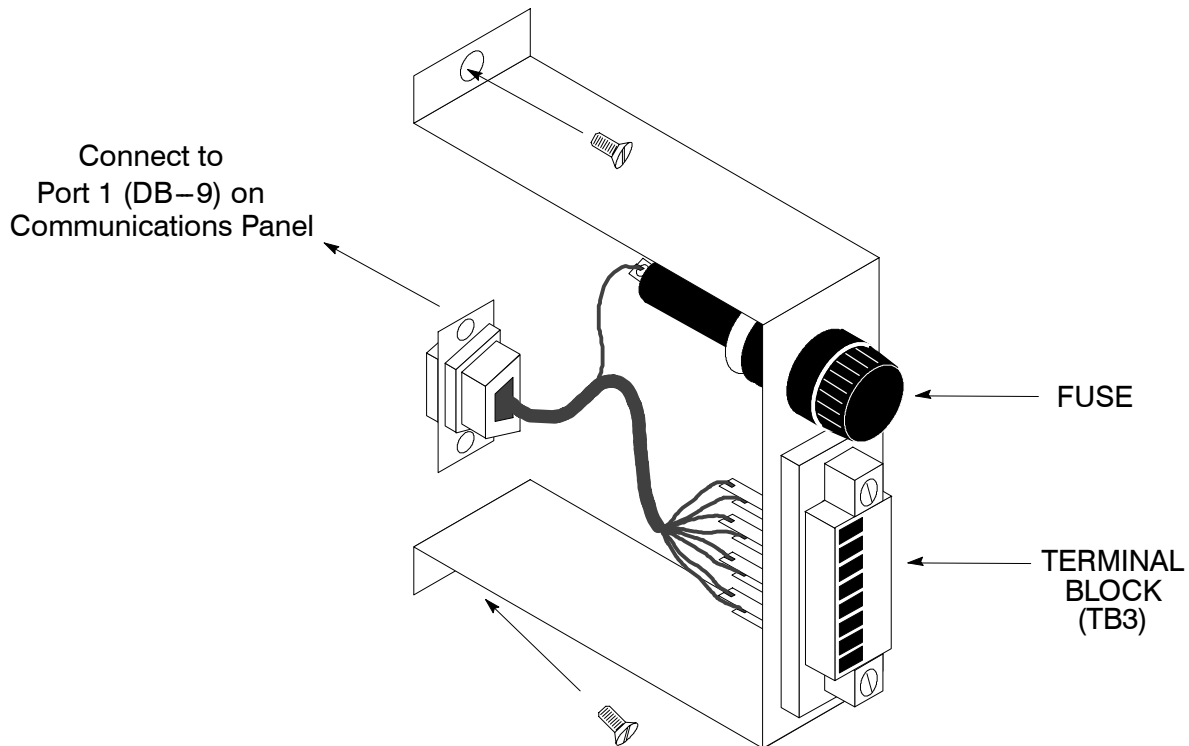


Figure 14. Terminal Block Bracket

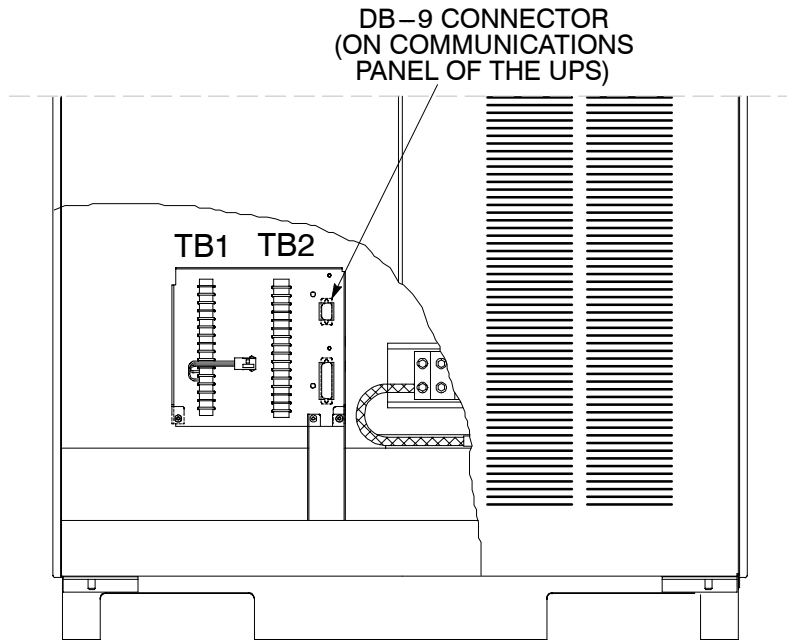
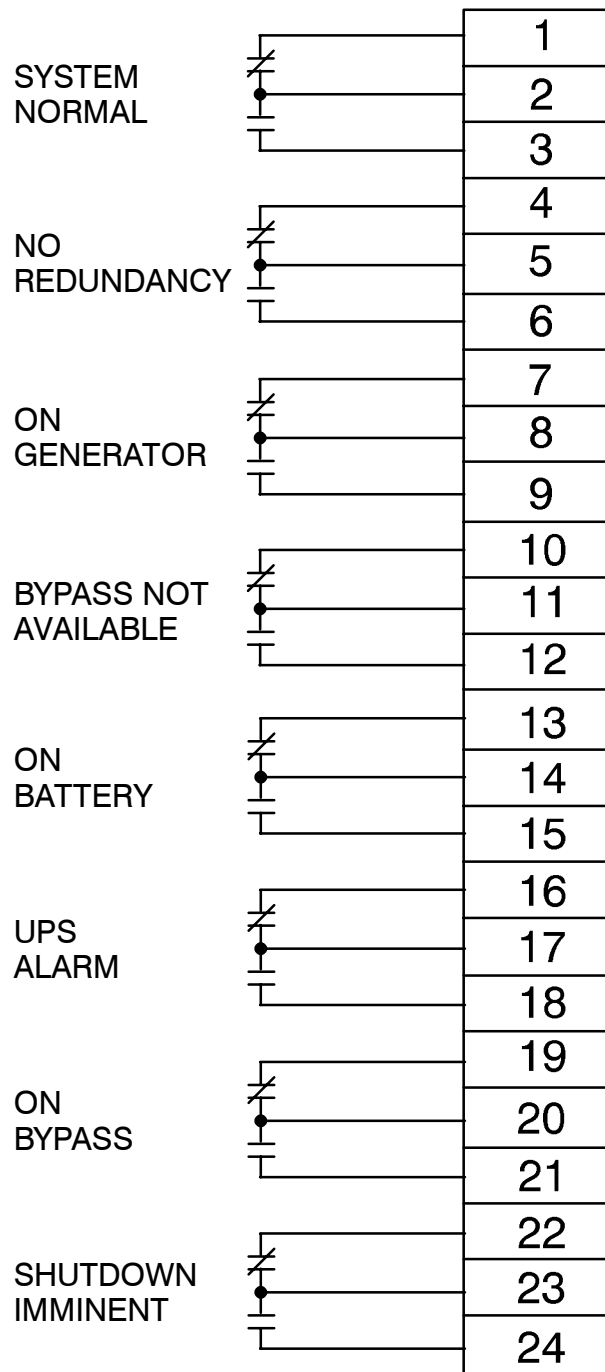


Figure 15. Wiring an SCM to the UPS

4. Connect the SCM wiring to the terminal block using the terminations shown in Table F.
5. Contact your local field service office for verification and testing of the SCM and its connections prior to making connections to terminal strip shown in Figure 16.
6. Repeat steps 1 through 5 for each SCM you are installing.
7. If you are installing an RMP or RIM in addition to an SCM, proceed to Chapter 4 or 5, respectively; otherwise, secure the UPS cabinet by reversing the steps contained in procedure "To Prepare the UPS for Wiring to an RMP, RIM, SCM, or Remote EPO" of Chapter 2.

Table F. Supervisory Contact Module Wire Terminations		
<i>From SCM A</i>	<i>To UPS</i>	<i>Remarks</i>
TB1-4	TB3-1	TWISTED WIRES (4) 1-2 TURNS PER 3 INCHES
TB1-5	TB3-2	
TB1-6	TB3-3	
TB1-7	TB3-4	
<i>From SCM B (if used)</i>	<i>To UPS</i>	<i>Remarks</i>
TB1-4	TB3-5	TWISTED WIRES (4) 1-2 TURNS PER 3 INCHES
TB1-5	TB3-6	
TB1-6	TB3-7	
TB1-7	TB3-8	



Note: Supervisory contacts are rated at 2.0 amps at 28 Vdc or 120 Vac and 0.15 amp at 115 Vdc.

Supervisory contacts require external power supply. Internal 24 Vdc is not capable of supplying contact current.

Figure 16. Supervisory Contact Module TB2

Section II

Operation

This Page Intentionally Left Blank.



Understanding UPS Operation

Your UPS functions automatically to supply AC electrical power to your critical load. The UPS always operates in one of four modes:

- In *Normal* mode, the critical load is supplied by the inverter, which derives its power from rectified utility AC power. In this mode, the rectifier also provides charging current for the battery.
- In *Battery* mode, the battery cabinet provides DC power, which maintains inverter operation. The battery supports the critical load.
- In *Bypass* mode, the critical load is directly supported by the utility through an isolation transformer.
- In *Maintenance Bypass* mode, the critical load is directly supported by the utility through a Maintenance Bypass circuit breaker..

The UPS continually monitors itself and the incoming utility power, and automatically switches between Normal, Battery, and Bypass modes as required, with no operator intervention. The Maintenance Bypass mode is a manual operation needing operator intervention. The sophisticated detection and switching logic inside the UPS ensures that operating mode changes are automatic and transparent to the critical load. The UPS switches automatic operating modes in response to these *system events*:

- A *command* is an intervention that is externally initiated by an operator or by some site action. A command causes the UPS to switch operating modes; it usually does not require any further action by you.
- A *notice* is a minor system event that may or may not require your attention.
- An *alarm* is a system event that requires immediate operator intervention.

System events, alarm horns, and indicator lights are described in Chapter 12 – Responding to System Events.

Looking Inside the UPS

The Powerware BPIII HE is a continuous duty, solid-state UPS that supports the following equipment: process control, data processing, and telecommunications/PBX. The Powerware BPIII HE maintains power to the critical loads during commercial electrical power brownout, blackout, overvoltage, undervoltage, and out-of-tolerance frequency conditions.

In this manual, the power required by your equipment is called the *critical load*. The UPS supplies the critical load with conditioned power that is synchronized with your utility power. Figure 17 shows the main elements of the UPS.

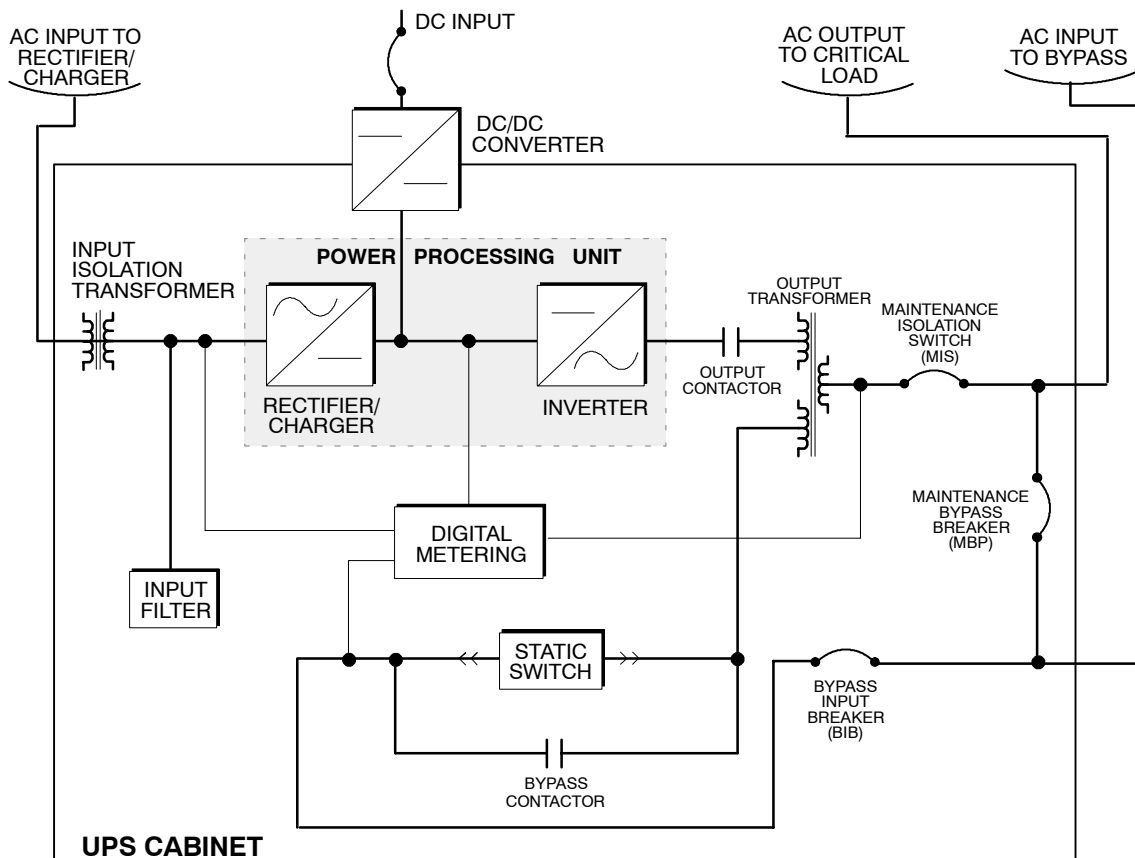


Figure 17. Main Elements of the UPS System

If utility power is interrupted or falls outside the parameters specified in the *Product Specifications* section of Chapter 16, the UPS uses a *backup supply* to sustain power to the critical load for a specified period of time or until the utility power returns. For extended power outages, the backup supply allows you to either transfer to an alternative power system (such as a generator) or shut down your critical load in an orderly manner.

The operation of the UPS system is described in greater detail in the following paragraphs. The *Product Specifications* section of Chapter 16 outlines the storage and operating specifications for the UPS.

Normal Mode

In Normal mode, utility AC power is supplied to the rectifier. The rectifier supplies DC power to the inverter, which then supplies the critical load with AC power. The rectifier also provides charging power to the battery through a DC to DC voltage converter. The battery charge condition is monitored by the UPS and reported by a status indicator on the Monitor Panel. The message "System Normal" appears in the status area of the LCD screen.

Figure 18 shows the path of electrical power through the UPS system when the UPS is operating in Normal mode.

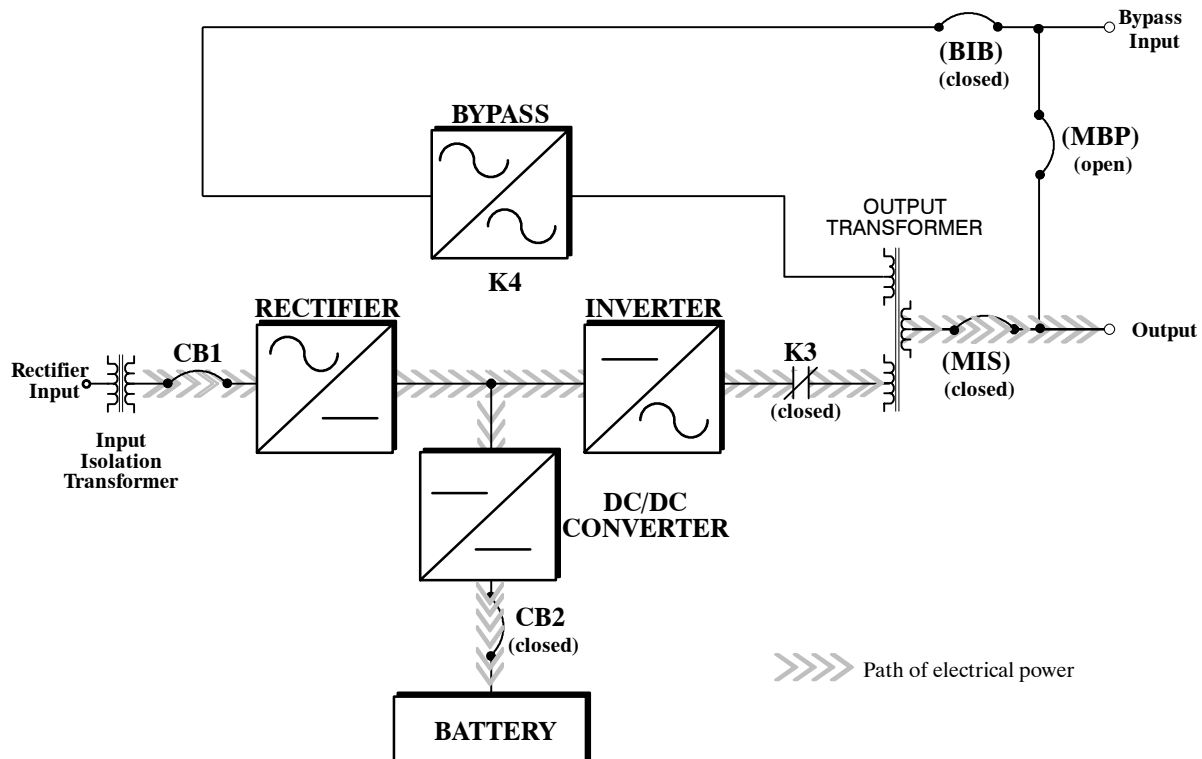


Figure 18. Path of Current Through the UPS in Normal Mode

If the utility AC power is interrupted or is out of specification, the UPS automatically switches to Battery mode to support the critical load with no interruption. When utility power returns, the UPS returns to Normal mode.

If the UPS system becomes overloaded, the UPS switches to Bypass mode. The UPS automatically returns to Normal mode when the error condition is cleared and system operation is restored within specified limits.

If the UPS suffers an internal failure, it switches automatically to Bypass mode and remains in that mode until the failure is corrected and the UPS is back in service.

Bypass Mode

The UPS automatically switches to Bypass mode if it detects an overload, load fault, or internal failure. The bypass source supplies the commercial AC power to the load through an internal switch and an internal transformer.

CAUTION:
The critical load is not protected while the UPS is in Bypass mode.

Figure 19 shows the path of electrical power through the UPS system when the UPS is operating in Bypass mode.

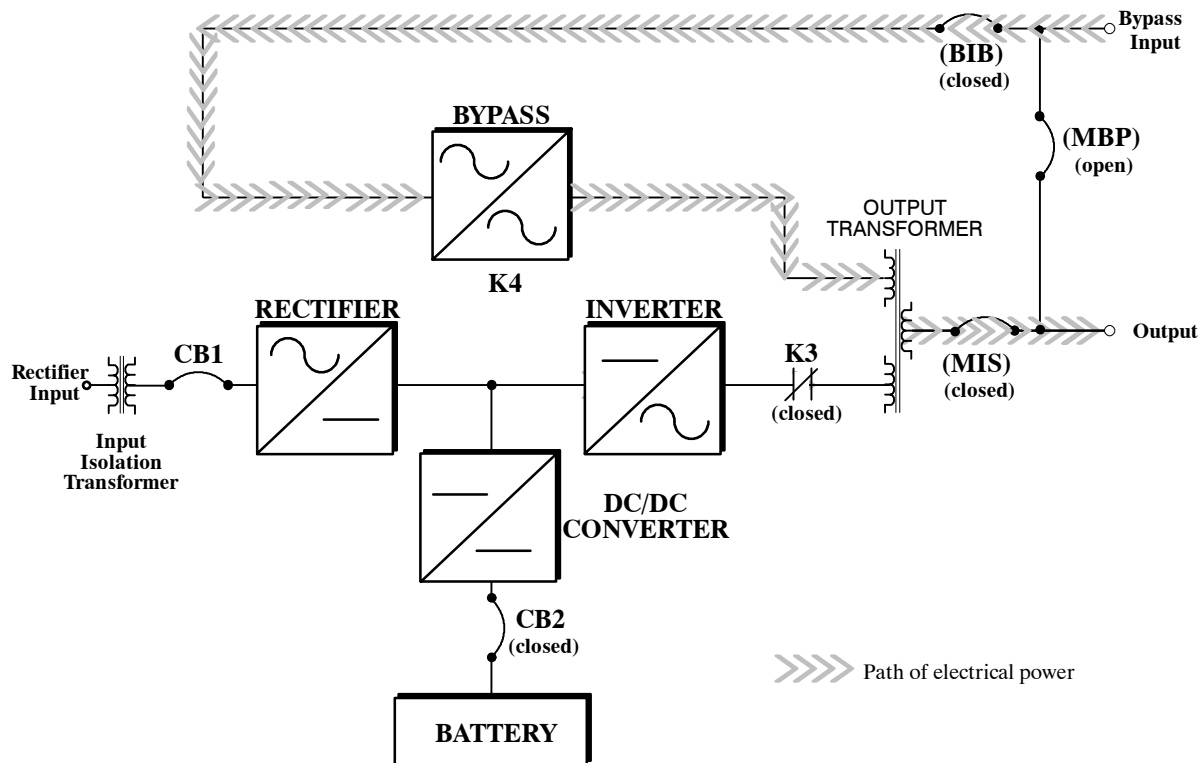


Figure 19. Path of Current Through the UPS in Bypass Mode

You can transfer the UPS from Normal mode to Bypass mode manually. However, the UPS switches automatically to Bypass mode whenever the inverter can no longer supply the critical load. If the UPS transfers to Bypass mode from Normal mode due to any reason other than operator intervention, the UPS automatically attempts to transfer back to Normal mode (up to three times within a 10-minute period).

Bypass mode is a normal operating mode, and not an alarm condition. However, if the UPS is unable to return to Normal mode following an automatic transfer to Bypass mode, an alarm condition will be recorded.

Battery Mode

The UPS transfers to Battery mode automatically if a utility power outage occurs, or if the utility power does not conform to specified parameters. In Battery mode, the battery, through the DC to DC voltage converter, provides emergency DC power that the inverter converts to AC power. When the UPS switches to Battery mode, the alarm indications depend on the cause and condition of the battery charge. The length of time the system can operate in Battery mode depends on loading and the battery supply capacity.

Figure 20 shows the path of electrical power through the UPS when operating in Battery mode.

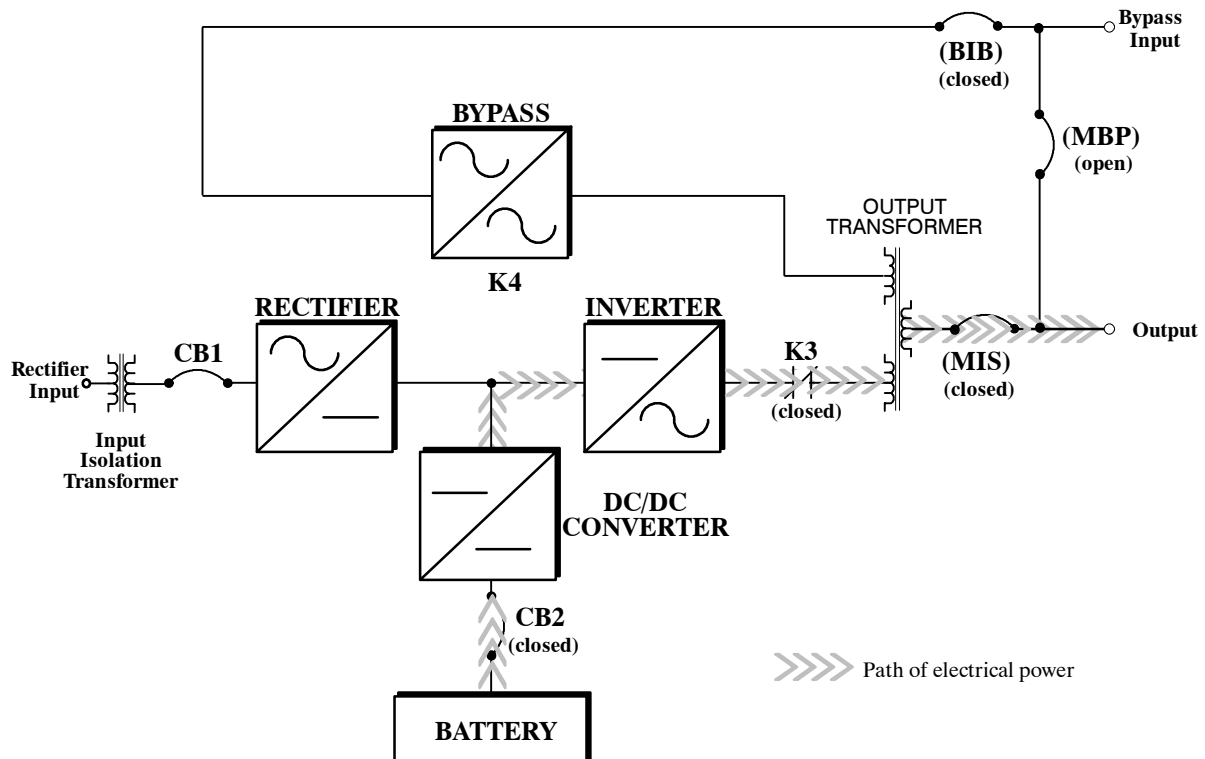


Figure 20. Path of Current Through the UPS in Battery Mode

When the discharging battery voltage reaches the lower limit of UPS operation capability, the critical load transfers to Bypass mode if it is available. If Bypass input is not available, a "Shutdown Imminent" warning occurs. The warning time before critical load loss occurs is approximately 2 minutes, depending on battery capacity and the amount of loading.

If incoming power returns to within specified parameters, the UPS automatically returns to Normal mode and alarm indications clear. However, the process of returning to Normal mode is not instantaneous. The rectifier gradually draws increasing power from the incoming utility until Normal mode is achieved.

Maintenance Bypass Mode

The UPS can be manually switched to Maintenance Bypass mode allowing the UPS to be electrically isolated from the critical load. The bypass source supplies the commercial AC power to the load through an internal circuit breaker.

CAUTION:
Critical load is not protected while the UPS is in Maintenance Bypass mode.

Figure 21 shows the path of electrical power through the UPS system when the UPS is operating in Maintenance Bypass mode.

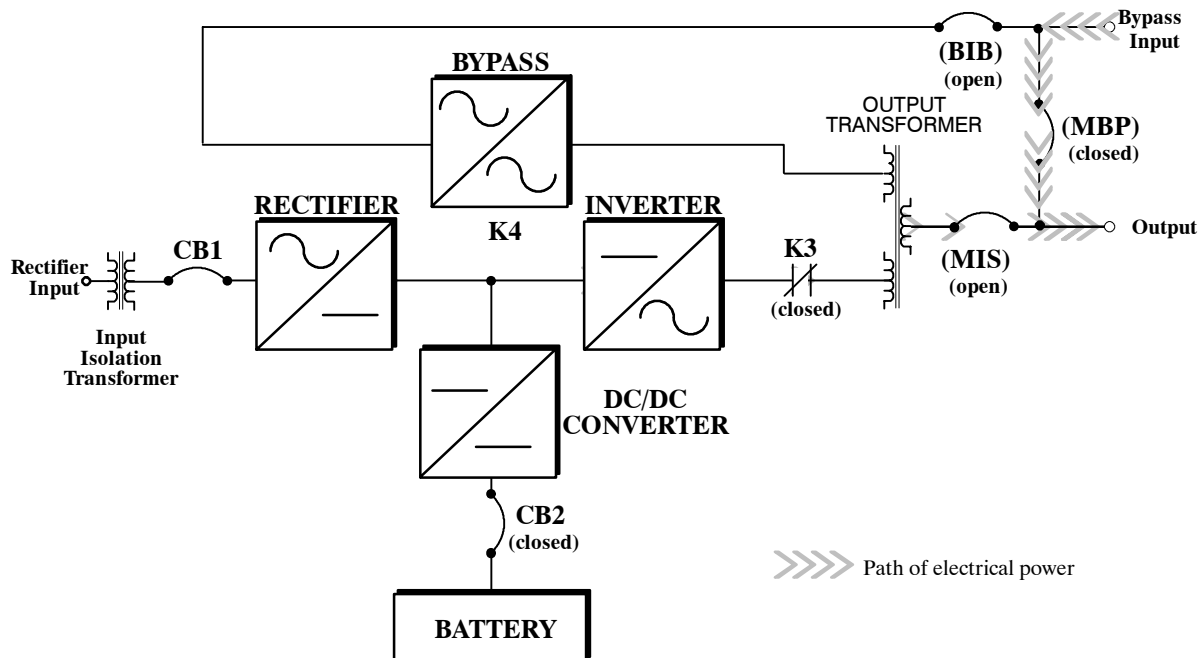


Figure 21. Path of Current Through the UPS in Maintenance Bypass Mode

The wrap-around maintenance bypass is useful during routine UPS maintenance or repairs, by supplying utility power to the critical load while the UPS inverter and bypass are de-energized.

The major components of the Maintenance Bypass are described in the following paragraphs.

Maintenance Bypass (MBP) Circuit Breaker

This breaker is normally open. When closed, it feeds utility power to the critical load when the MIS breaker is opened.

Maintenance Isolation (MIS) Circuit Breaker

This circuit breaker is normally closed, feeding UPS power to the critical load. This breaker is opened to isolate the UPS after the MBP breaker is closed.

Maintenance Bypass (MBP) Circuit Breaker

This circuit breaker is normally closed feeding bypass power to the UPS internal bypass circuit. This breaker is opened to isolate the UPS bypass after the load is transferred to maintenance bypass.

The MBP and MIS breakers are electrically interlocked to limit the possibility of UPS system damage from improper operation.

Monitoring and Controlling UPS Operation

After you start the UPS, operator intervention is unnecessary except for periodic checks of the UPS status. Manual operation is required only during routine maintenance or service. Use the Monitor Panel and the Control Panel to monitor and control the UPS. Figure 22 shows the location of these two panels on the front of the UPS.

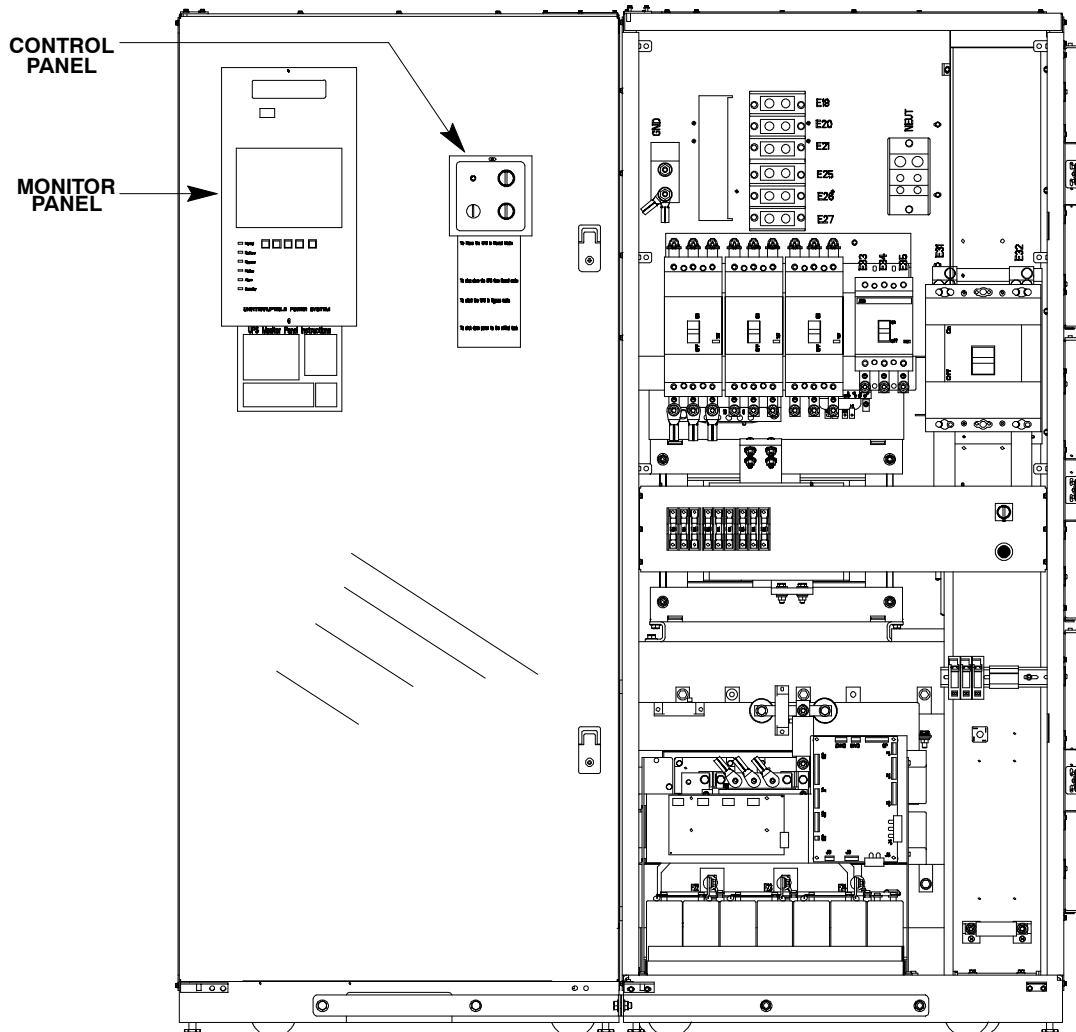


Figure 22. Location of the Monitor Panel and the Control Panel

The *Monitor Panel* on the left front of the UPS continually indicates the present mode of UPS operation. This panel contains an LCD screen, backlit status indicators, and the **EMERGENCY POWER OFF** pushbutton. Use the LCD screen on the Monitor Panel to view performance meters or graphic representations of UPS operation. The Monitor Panel is described in detail in Chapter 9 – *Using the Monitor Panel*. A quick reference label describing how to use the Monitor Panel is located below the Monitor Panel.

The *Control Panel* located to the right of the Monitor Panel contains various controls and switches. These control power to and from the UPS, and allow you to change the UPS mode manually. The Control Panel is discussed in Chapter 10.

This Page Intentionally Left Blank.



UPS Controls

The UPS has three primary control areas as described in the following paragraphs.

Control Panel

The *Control Panel* on the front of the UPS (see Figure 22) contains the operator controls to start and stop the UPS and change the operating mode. The Control Panel is described in *Using the Operating Controls* section of Chapter 10.

Monitor Panel

The *Monitor Panel* on the front of the UPS (see Figure 22) contains an LCD screen to display the current status of the UPS. You can view a statistical history and log of UPS events and display a real-time graphic representation of power flowing through the UPS components. Backlit status indicators show the operating mode of the UPS and alert you to system events.

Maintenance Bypass

Maintenance Bypass (MBP) Circuit Breaker

This breaker is normally open. When closed, it feeds utility power to the critical load when the MIS breaker is opened.

Maintenance Isolation (MIS) Circuit Breaker

This circuit breaker is normally closed, feeding UPS power to the critical load. This breaker is opened to isolate the UPS after the MBP breaker is closed.

Maintenance Bypass (MBP) Circuit Breaker

This circuit breaker is normally closed feeding bypass power to the UPS internal bypass circuit. This breaker is opened to isolate the UPS bypass after the load is transferred to maintenance bypass.

UPS Standard Features

The UPS has many standard features that provide cost-effective and consistently reliable power protection:

Communication Panel

Computer Interface

One combination RS-232/RS-485 *serial communication port* is standard on all units, and is electrically isolated from the UPS. An additional RS-232 *serial communication port* is available (as an option), and is also electrically isolated from the UPS.

Summary Alarm Contacts

Alarm contacts are provided for connection to equipment at your facility, such as a light, an audible alarm, or a computer terminal. The equipment you connect to these contacts alerts you to a UPS alarm.

Input Filter

Your unit may be equipped with an *input filter*. An *input filter* yields power factor correction that allows you to save on your initial installation and operating costs. The filter also reduces input harmonic current distortion and minimizes upstream interference that can damage sensitive hardware components.

Emergency Power Off

An **EMERGENCY POWER OFF** pushbutton is provided for situations where you must immediately remove all power to your critical load. The pushbutton is located on the Monitor Panel for quick access and is covered with a clear plastic shield to prevent inadvertent operation. The shield must be raised before pressing the pushbutton. The **EMERGENCY POWER OFF** pushbutton is described in detail in Chapter 10, "Using the **EMERGENCY POWER OFF** Pushbutton."

Automatic Battery Charge Current Limit

A preset limit restricts battery charging current to protect batteries from damage due to high current charging. Charging at high currents can overheat and damage batteries.

Installation Features

Power and control wiring can be routed through the top of the Environmental cabinet. The cabinet has an *internal wireway*.

Options and Accessories

Contact your sales representative for information about any of these available options:

Remote Monitor Panel

An optional *Remote Monitor Panel (RMP)* contains backlit status indicators and a local horn, allowing you to monitor the operational status and alarm condition of the UPS from virtually any location within your facility. You can install multiple RMPs at remote locations to increase your monitoring capabilities. This option is described further in Chapter 11, "Using Features and Options."

Relay Interface Module

An optional *Relay Interface Module (RIM)* uses relay contact closures to indicate the operating status and alarm condition of the UPS system. The module uses a serial interface line and may support up to eight critical loads. This option is described further in Chapter 11, "Using Features and Options."

Supervisory Contact Module

An optional Supervisory Contact Module (SCM) establishes an interface between the UPS manufacturer's equipment and the customer's monitor. This interface allows the customer to monitor operational status of the UPS equipment. This option is described further in Chapter 11, "Using Features and Options."

Modem

An optional modem is available for use with the UPS Remote Notification feature described in Chapter 14, "Optional Remote Notification". Refer to the manual supplied with the modem for modem operating instructions.

Customer Convenience Outlet

An uninterruptible 120 VAC, 0.2 amp, fuse-protected convenience outlet is provided with the optional modem. It is located adjacent to the Communications Panel.

Safety Considerations

The UPS enclosures are designed for industrial or computer room applications, and contain safety shields behind the doors. However, the UPS is a sophisticated power system and should be handled with appropriate care, following these guidelines:

- **Keep surroundings clean and free from excess moisture.**
- **Do not operate the UPS close to gas or electric heat sources.**
- **The system is not intended for outdoor use.**
- **The UPS operating environment should be maintained within the parameters stated in this manual.**
- **Keep the UPS doors closed to ensure proper cooling airflow and to protect personnel from dangerous voltages inside the unit.**
- **The UPS contains its own power source. Lethal voltages are present even when the UPS is disconnected from utility power.**

<p>WARNING: Only AUTHORIZED SERVICE PERSONNEL should perform service or maintenance on the UPS or battery.</p>
--

If service or routine UPS maintenance is required:

- **Ensure all power is disconnected before performing installation or service.**
- **Ensure the area around the UPS system is clean and uncluttered.**
- **Battery cabinet maintenance or battery replacement should be performed only by authorized service personnel.**
- **Observe all DANGER, CAUTION, and WARNING notices affixed to the inside and outside of the equipment.**
- **Always conform to the more detailed safety precautions described in “Important Safety Instructions” section of Chapter 15.**

Symbols, Controls, and Indicators

These symbols may appear on your UPS system or on labels inside the UPS. They are accepted by most international safety agents. Everyone in your organization who works with your UPS should understand the meaning of these symbols:



ON

The principal power switch is in the On position.



OFF

The principal power switch is in the Off position.



PHASE

The word phase.



CAUTION: REFER TO MANUAL

Stop and refer to the Operator's Manual for more information.



RISK OF ELECTRIC SHOCK

There is a risk of electric shock present, and you should observe associated warnings. The UPS contains high voltages.

9

Using the Monitor Panel

This chapter describes the Monitor Panel and how to monitor and control UPS operation. The Monitor Panel is a black rectangular area on the front of the UPS (see Figure 23).

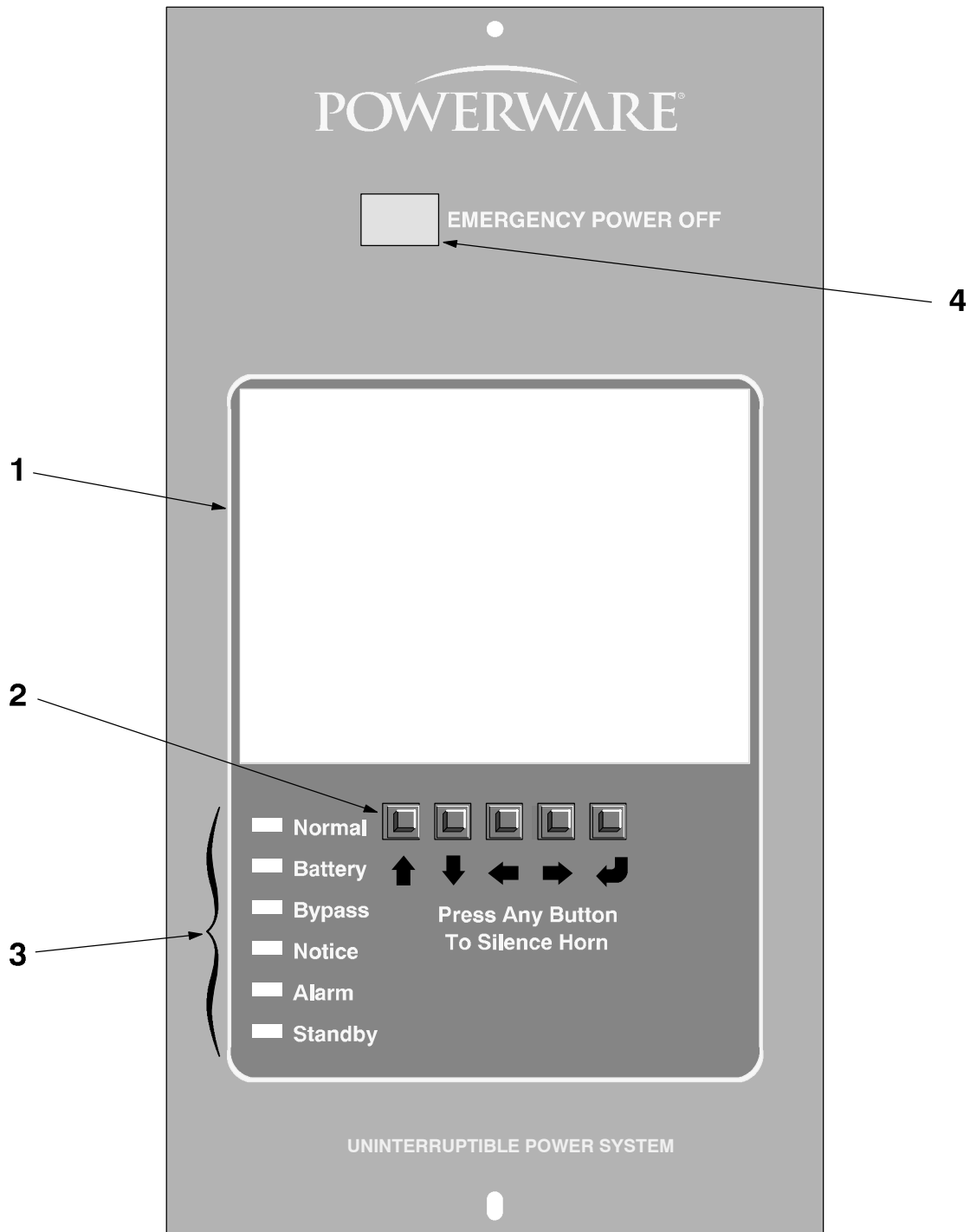


Figure 23. UPS Monitor Panel

The Monitor Panel contains:

1. A flat liquid crystal display (LCD) screen.
2. A horizontal row of pushbuttons.
3. A vertical column of backlit status indicators.
4. A red **EMERGENCY POWER OFF** pushbutton.

A quick reference label describing how to use the Monitor Panel is located below the Monitor Panel. The following sections describe the Monitor Panel in detail.

Using the LCD Screen

The LCD screen at the top of the Monitor Panel provides an operator interface with the UPS. Figure 24 identifies the display fields discussed in the following sections.

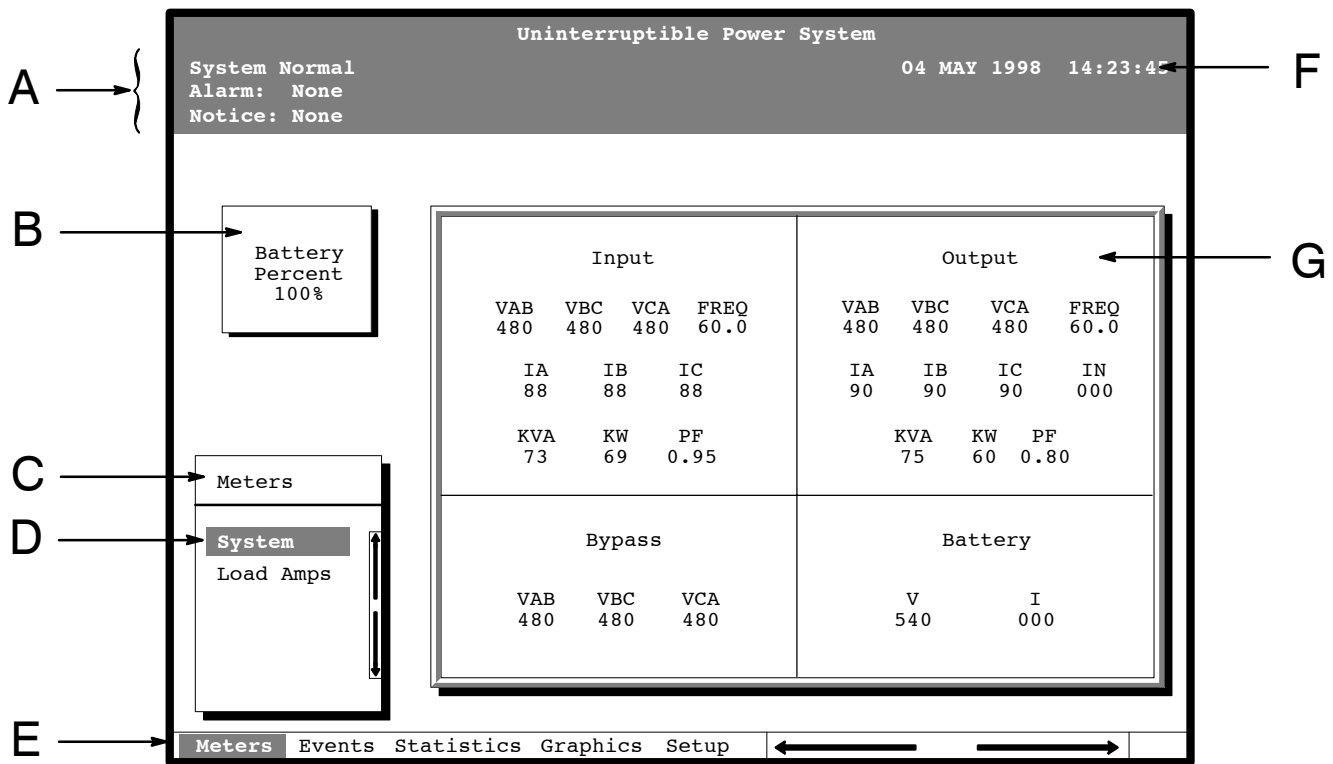


Figure 24. Parts of the LCD Screen (Typical for Powerware BPIII HE 75 480/480V Unit)

- A** The *UPS status area* contains three lines that display the current state of the UPS. The first line shows the present operational mode of the UPS. The second line shows the highest level of the current active alarms, and the third line shows any notices the UPS has posted. (For more information about alarms and notices, refer to Chapter 12 – Responding to System Events.)
- B** The *battery charge box* shows the percentage of battery capacity available.
- C** The *menu box* shows the currently selected menu and lists the options available on that menu. The title at the top of the menu box is also shown below on the menu bar (**E**). Press the **▲** and **▼** pushbuttons to scroll up and down through the options in the menu box.

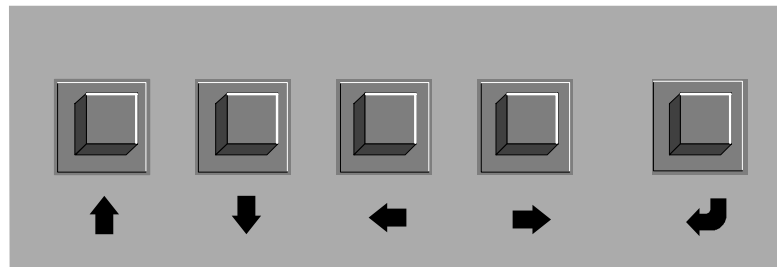
- D** The currently selected *option* is highlighted in the menu box. Press the **▲** and **▼** pushbuttons to move the highlight up or down. The data in the information area (**G**) changes accordingly.
- E** The *menu bar* lists the titles of the menus. The title of the menu currently displayed in the menu box is highlighted. When you press the **◀** and **▶** pushbuttons to move the highlight right or left, the data in the menu box and the information area change accordingly.
- F** The *timestamp* shows the current date and time. This date and time are recorded in the Event Log when a notice or alarm is activated.
- G** The *information area* contains data about UPS status and operations. Select a menu option to display statistics or graphics.

You can use the LCD screen and the pushbuttons beneath it to:

- Monitor UPS operation
- Look at a log of UPS events (alarms, notices, and commands).

Using the Pushbuttons

The *pushbuttons* below the LCD screen are labeled with arrows indicating their functions:



- Press the **◀** and **▶** pushbuttons to move through the menu titles on the menu bar. Press them simultaneously to silence the horn, or to test the lamps behind the status indicators.
- Press the **▲** and **▼** pushbuttons to move through the options in a menu, or to scroll through the list of alarms and notices in the event log.
- Press the **↙** pushbutton to toggle the use of the **▲** and **▼** pushbuttons between the menu box and the information area.

Adjusting the Contrast

- Use the pushbuttons to adjust the contrast on the LCD screen. Hold down the **↙** pushbutton, then press the **▲** pushbutton to increase the contrast or the **▼** pushbutton to decrease the contrast.

Reading the Status Indicators

The six lights on the left side of the monitor panel are *status indicators*. They are backlit by colored light emitting diode (LED) lamps, and work in conjunction with the alarm horn to let you know the operating status of the UPS.

- Normal** This green indicator is lit when the UPS is operating in Normal mode. The power processing unit (PPU) is supplying power to the critical load.
- Battery** This yellow indicator is lit when the UPS is operating in Battery mode. Because Battery mode is a normal condition of the UPS, the Normal indicator also remains lit.
- Bypass** This yellow indicator is lit when the UPS is operating in Bypass mode. The critical load is supported by the bypass source. The Normal indicator is not lit when the system is in Bypass mode.
- Notice** This yellow indicator is lit when the system needs attention. The LCD screen shows all active notices. Some notices may be accompanied by an audible horn. To silence the horn, press the ◀ and ▶ pushbuttons simultaneously. The Notice indicator may be lit along with other indicators.
- Alarm** This red indicator is lit when a situation requires immediate attention. The LCD screen shows the highest priority active alarms. All alarms are accompanied by an audible horn. To silence the horn, press the ◀ and ▶ pushbuttons simultaneously. The Alarm indicator may be lit along with other indicators.
- Standby** This yellow indicator is lit when electricity is present in the PPU of the UPS and the Normal indicator is not lit. During normal startup, this indicator illuminates until the UPS transfers to Normal mode, at which point the Normal indicator is lit. During normal shutdown, the Standby indicator is lit until all energy in the UPS is dissipated and shutdown is complete.

For more information about audible horns, refer to the *System Event Horns* section of Chapter 12.

To test the LED lamp status indicators, press the ◀ and ▶ pushbuttons simultaneously for 3 seconds. All the indicators should light while you hold down these pushbuttons. If any indicator does not light, its LED may need to be replaced. Contact Customer Service if you have a problem with the indicator lamps.

Using the Menu Options

The UPS *menus* allow you to display data in the information area to help you monitor and control UPS operation. The following menus and options are available:

- **Meters** Displays UPS performance meters for the system or critical load.
- **Events** Displays the list of Active System Events and a historical log of system events.
- **Statistics** Displays statistical information about UPS operations for the battery, load, or line.
- **Graphics** Displays a real-time graphic representation of the flow of current through the internal UPS components.
- **Setup** Allows you to configure the UPS communications port and set the date and time for the timestamp.

Figure 25 shows the LCD screen as it appears when you first start the UPS. The Meters menu is displayed in the menu box, with the System option highlighted. In the information area, the system meters show their current readings.

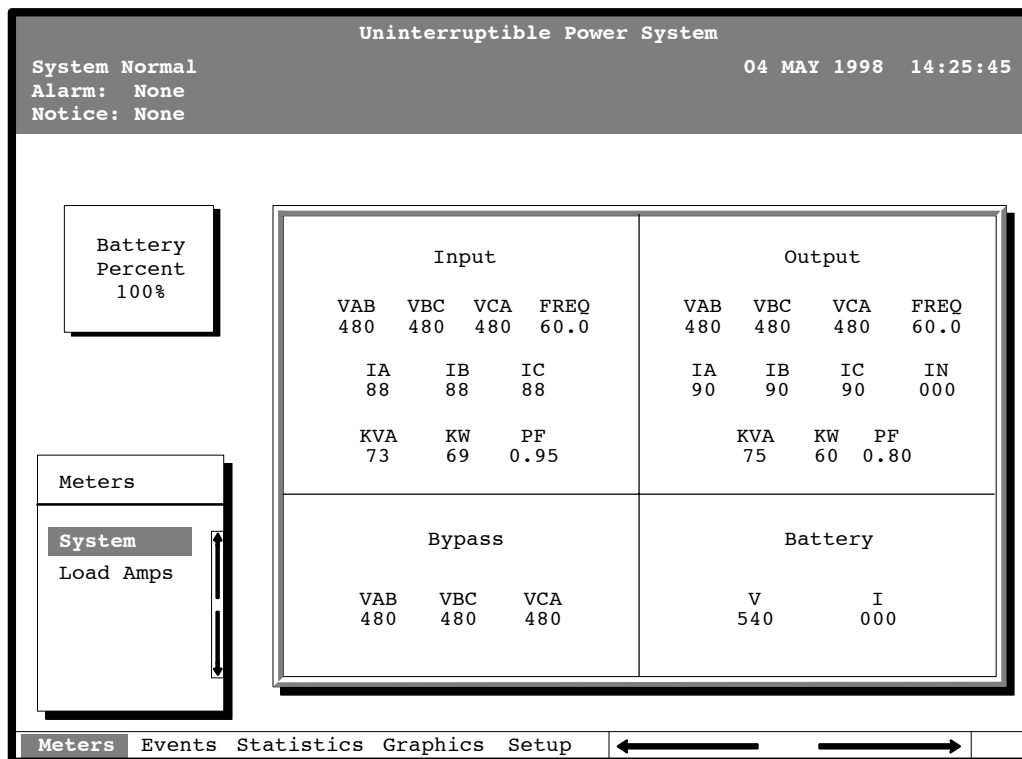


Figure 25. System Meters Screen (Typical for Powerware BPIII HE 75 480/480V Unit)

The Input area shows the phase-to-phase voltage, frequency, and phase current of the incoming utility, followed by the KVA, KW, and power factor measurements. The output area shows the same information for the power being output by the UPS.

The Bypass area shows the phase-to-phase voltage of the bypass source. The Battery area displays the DC voltage (V) and the DC current (I) at the inverter side of the DC to DC voltage converter.

Select **Load Amps** from the Meters menu to see a real-time bar graph of the output current of the UPS. The graph shows the current for each phase.

Figure 26 shows the Load Amps Meters screen.

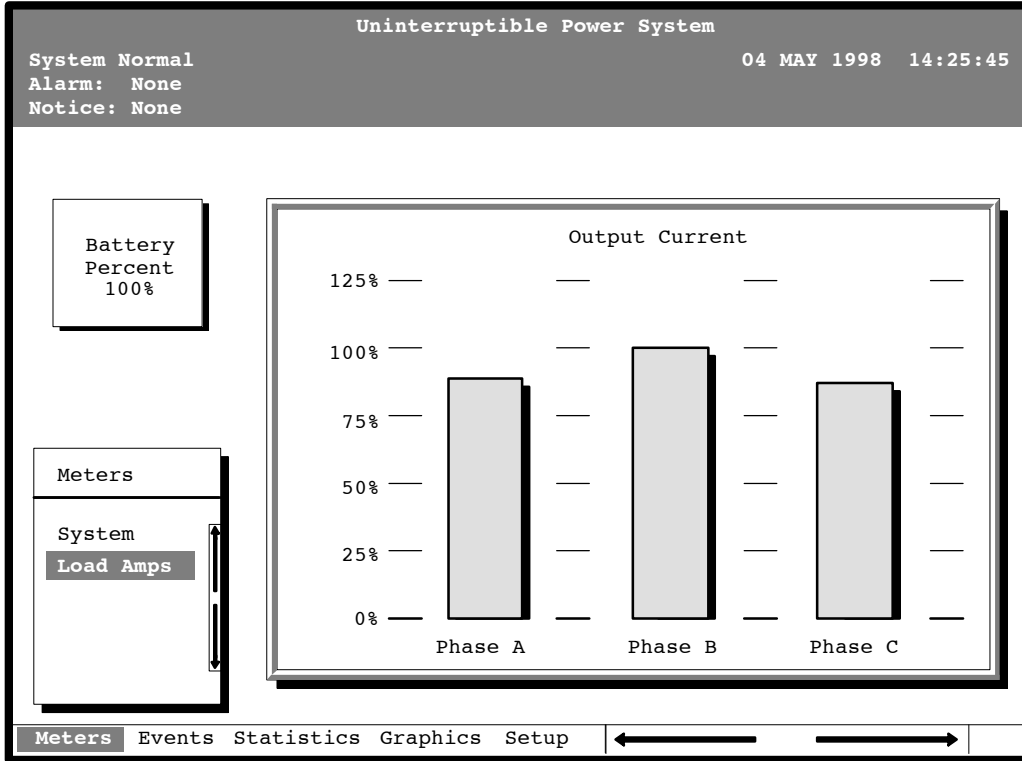


Figure 26. Load Amps Meters Screen

Select **History** from the Events menu to display the Event History Log. The Event History Log lists up to 400 system events in chronological order, with the most recent event listed last. The end of the log (the most recent events) appears when you display the screen, and you must scroll upward to view older event listings.

Figure 27 shows the Event History Log screen.

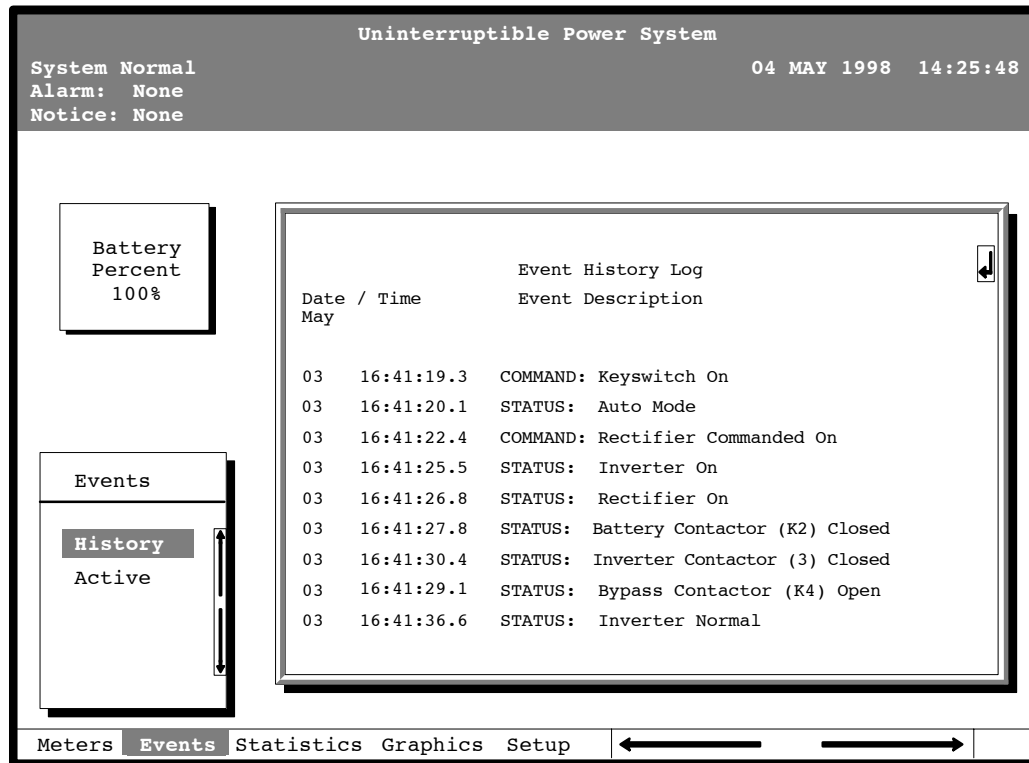


Figure 27. Event History Log Screen

A small return arrow (↵) appears in the upper right corner of the information area of the Event History Log screen. This arrow is a reminder that you can press the ↵ pushbutton on the Monitor Panel to toggle the scroll bar between the menu box and the information area. When the scroll bar is in the information area, the return arrow is in the menu box. When the scroll bar is in the menu box, the return arrow is in the information area.

When the scroll bar is in the information area, you can press the ⬆ and ⬇ pushbuttons to scroll through the Event History log.

Select **Active** from the Events menu to display a listing of all system events that are currently active. The most recent system event is listed first. As events clear, they are removed from the Active System Events listing.

Figure 28 shows the Active System Events screen.

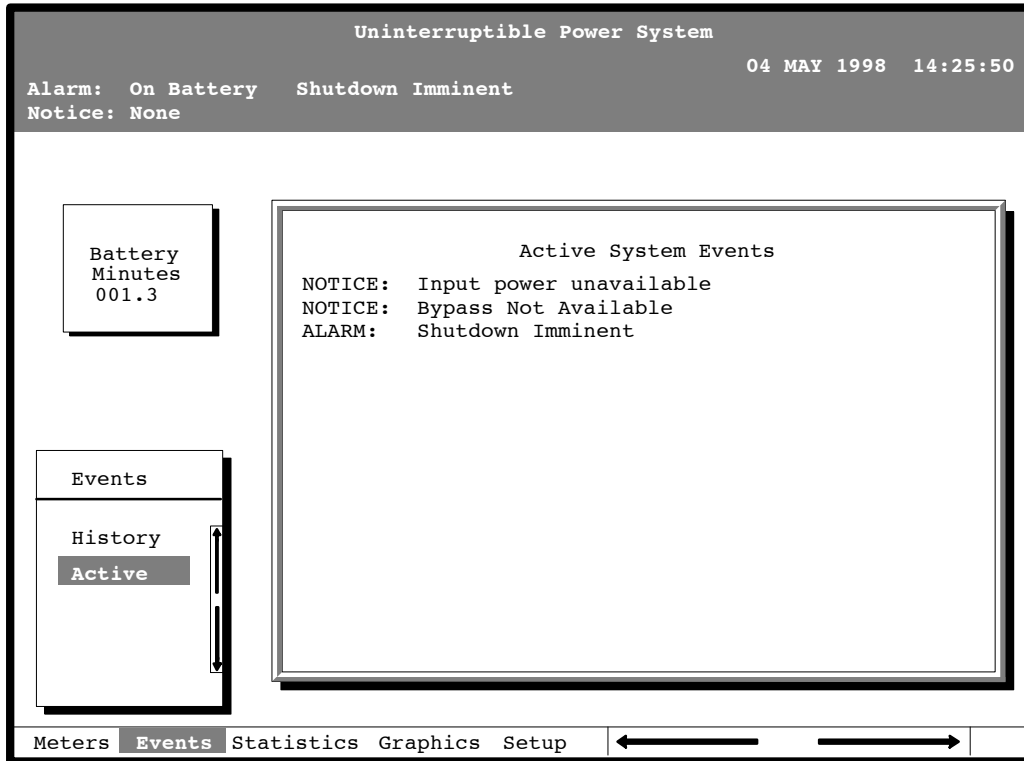


Figure 28. Active System Events Screen

Select **Unit** from the Statistics menu to display a listing of statistics about UPS operation.

Figure 29 shows the Unit Statistics screen.

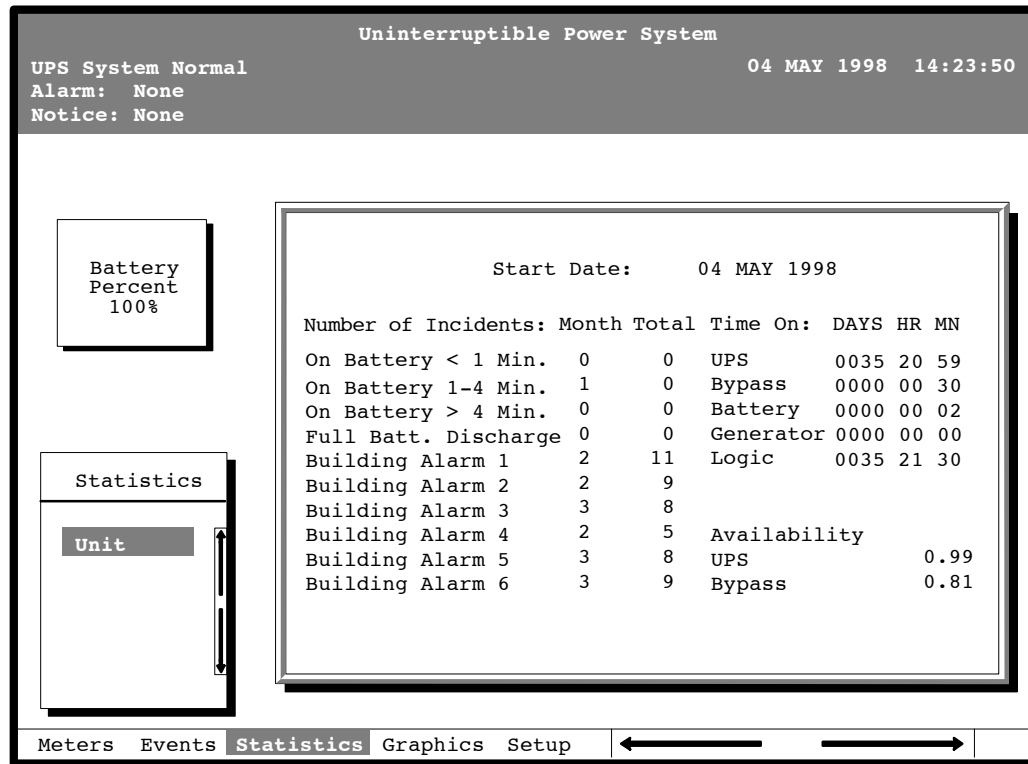


Figure 29. Unit Statistics Screen

The left column shows the number of UPS incidents for the current month and since the start date shown at the top of the screen. The top right column shows the time that the UPS was on bypass, battery, or generator, and the amount of time the UPS logic has been functioning since the start date. The lower right column shows the percent of availability of the UPS and the bypass source.

Select **Mimic** from the Graphics menu to display a real-time graphical representation of the flow of current through the UPS.

Figure 30 shows the Mimic screen.

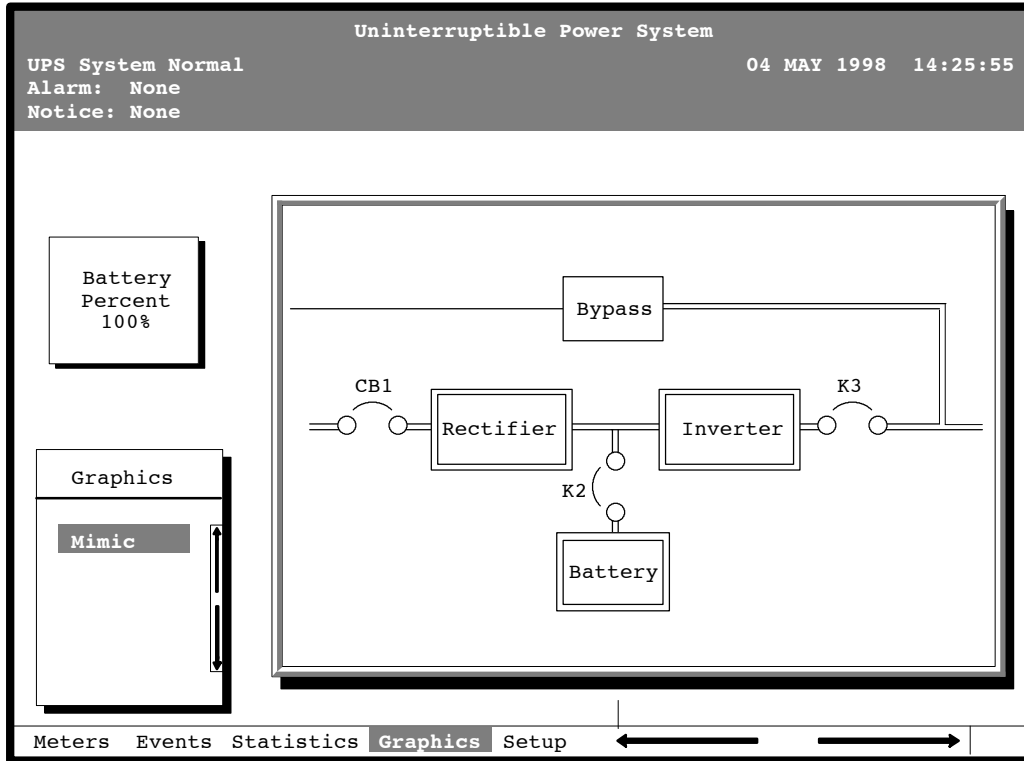


Figure 30. Mimic Screen

The Mimic screen shows the internal components of the UPS cabinet. The flow of current through the components is highlighted.

Select **Time** from the Setup menu to display the Time Setup screen. The Time Setup screen allows you to set the internal timestamp of the UPS. The timestamp is used for logging events in the Event History Log. Figure 31 shows the Time Setup screen.

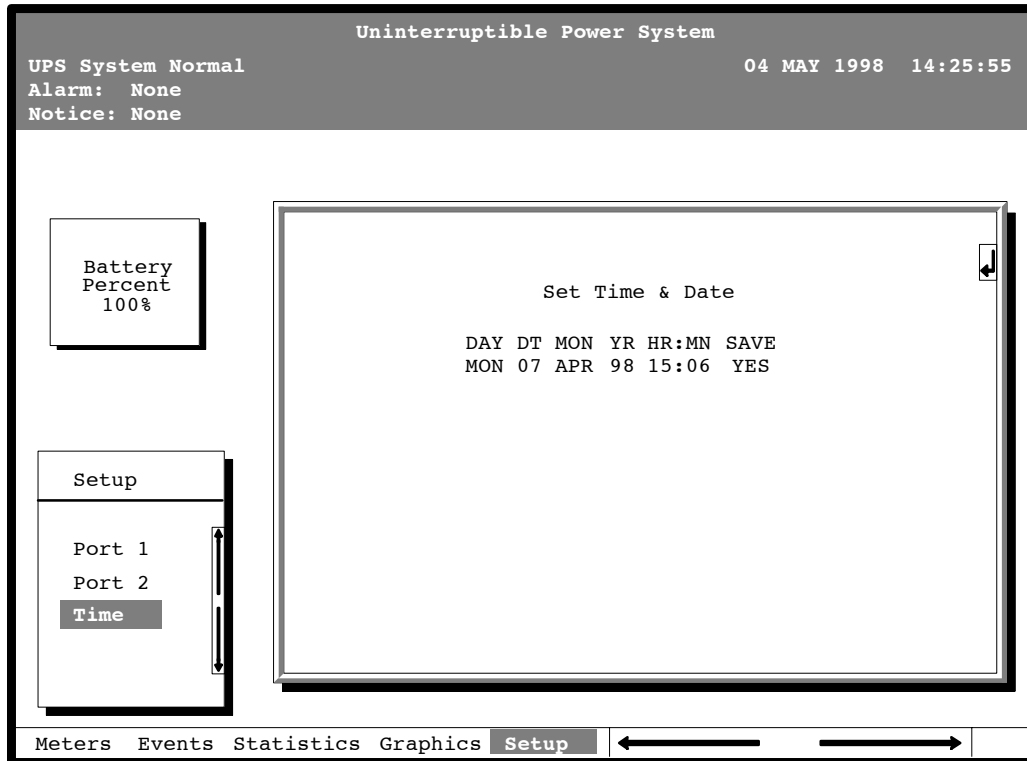


Figure 31. Time Setup Screen

The small return arrow (↵) appears in the upper right corner of the Time Setup screen. This arrow is a reminder that you can press the ↵ pushbutton on the Monitor Panel to toggle the pushbuttons between the menu box and the information area. When the scroll bar is in the information area, the return arrow is in the menu box. When the scroll bar is in the menu box, the return arrow is in the information area.

When the scroll bar appears in the information area, you can use the pushbuttons to change the timestamp settings. To change a setting in the timestamp, press the ◀ and ▶ pushbuttons to highlight the setting you want to change. To increase the setting (make it a higher value), press the ↑ pushbutton. To decrease the setting (make it a lower value), press the ↓ pushbutton. If you want to save the settings upon exit from this screen, be sure the SAVE field is set to YES.

Select **Port 1** or **Port 2** from the Setup menu to display one of the Port Setup screens. The Port Setup screens allow you to specify settings for the two serial communication ports on the UPS. Figure 32 shows the Setup Serial Port 1 screen.

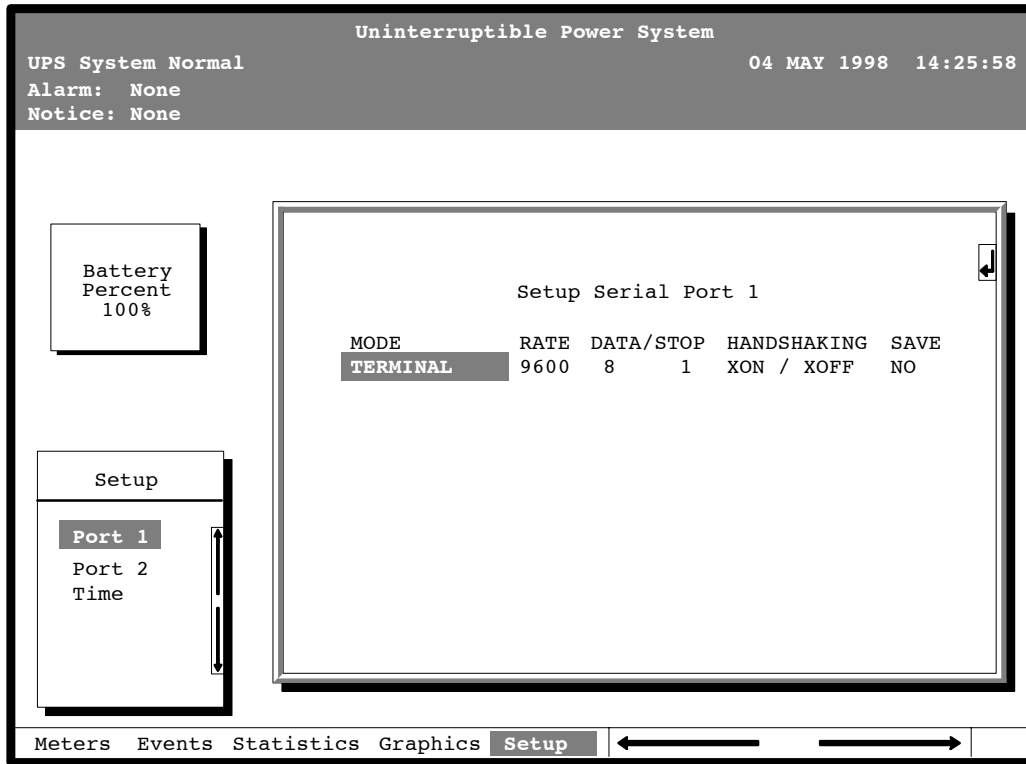


Figure 32. Port Setup Screen

The small return arrow (↵) appears in the upper right corner of the Port Setup screen. This arrow is a reminder that you can press the ↵ pushbutton on the Monitor Panel to toggle the pushbuttons between the menu box and the information area. When the scroll bar is in the information area, the return arrow is in the menu box. When the scroll bar is in the menu box, the return arrow is in the information area.

When the scroll bar appears in the information area, you can use the pushbuttons to change the port configuration. To change a setting, press the ← and → pushbuttons to move the highlight to the setting you want to change. To scroll through the available options for that setting, press the ↑ or ↓ pushbutton. To save the settings upon exit from this screen, be sure the SAVE field is set to YES.

The setup screens for Port 1 and Port 2 are identical.

10

Operating the UPS

This chapter describes how to start and stop the UPS and how to transfer the system to maintenance bypass. Figure 33 shows the location of the operating controls.

NOTE: Before starting the UPS, ensure all installation tasks are complete and a preliminary startup has been performed by authorized service personnel. The preliminary startup verifies all electrical interconnections to ensure the installation was successful and the UPS system operates properly.

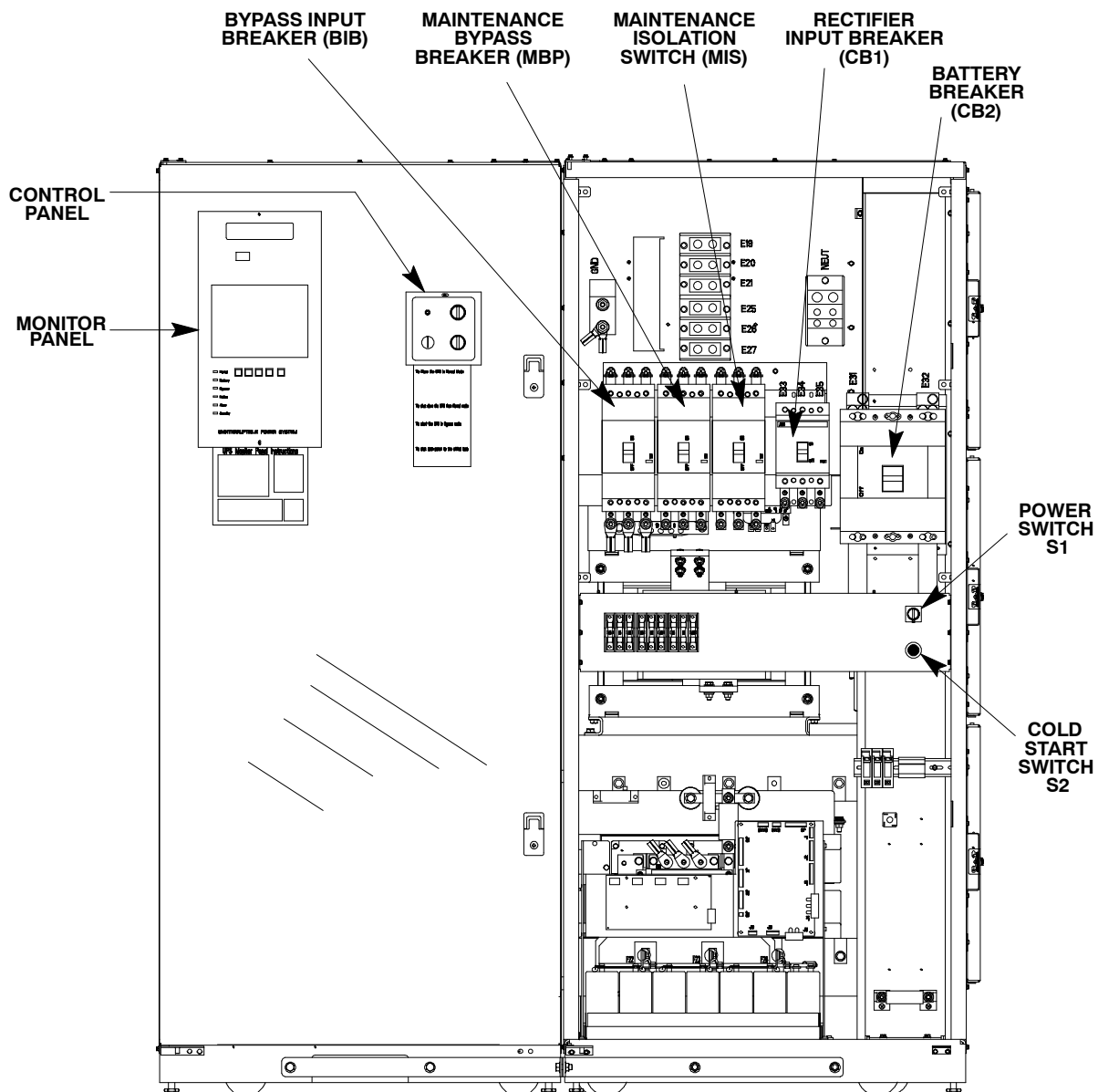


Figure 33. Location of the Operating Controls

Using the Operating Controls

Although the operating controls appear easy to use, you should read these instructions and thoroughly understand how the controls work before attempting to use them. Refer to oneline drawing 164201261–3 in Appendix A to clarify control functions. Refer to Chapter 9 – Using the Monitor Panel for instructions on using the monitor panel.

CAUTION:
Incorrect use of the power controls can cause a loss of power to your critical load.

The following paragraphs describe the switches on the Control Panel (see Figure 34).:

- The **MODE** switch is a two-position rotary switch that controls the manual transfer of the UPS to and from Bypass mode. The **MODE** switch is used to:
 - Place the critical load in Bypass mode when the UPS is operating in Normal mode and the bypass source is within acceptable limits. If the transfer does not occur within 2 seconds, an alarm sounds.
 - Prevent transfer to Normal mode when the UPS is in Bypass mode.
 - Shut down the *power processing unit* (inverter and rectifier) of the UPS.

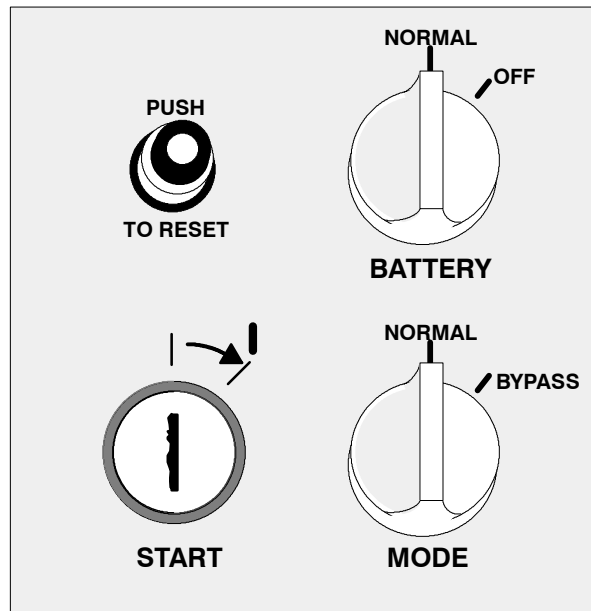


Figure 34. UPS Control Panel

- The **BATTERY** switch is a two-position rotary switch that allows you to manually enable or disable the Battery Breaker CB2. The battery switch is also used to reset the DC to DC converter if the converter shuts down during normal operation.
- The **PUSH TO RESET** pushbutton is described in the “Resetting UPS System after Emergency Power Off” section of this chapter.

- The **START** switch activates the power controls on the Control Panel. The **START** switch is center-biased (the key will rest only in the upright position). Its operation is similar to that of an automobile ignition switch. After setting the operator controls, you turn the **START** switch to the right momentarily to activate the controls. When you release it, it returns to the upright position.

The following paragraphs describe the controls and indicators found in the Environmental cabinet (see Figure 33).

- The circuit breaker (**CB1**) switch supplies power to the rectifier and inverter. If **CB1** is on (closed), the rectifier turns on when the **START** switch is activated and the proper voltage is at the input terminals.
- The circuit breaker (**CB2**) switch controls the application of battery power to the UPS. If **CB2** is closed, the rectifier charges the battery through the DC to DC converter during normal operation. If utility power is lost, battery power is supplied to the inverter through the DC to DC converter.
- **Maintenance Bypass (MBP) Circuit Breaker** – This breaker is normally open. When closed, it feeds utility power to the critical load when the MIS breaker is opened.
- **Maintenance Isolation (MIS) Circuit Breaker** – This circuit breaker is normally closed, feeding UPS power to the critical load. This breaker is opened to isolate the UPS after the MBP breaker is closed.
- **Bypass Input (BIB) Circuit Breaker** – This circuit breaker is normally closed feeding bypass power to the UPS internal bypass circuit. This breaker is opened to isolate the UPS bypass after the load is transferred to maintenance bypass.

Operation

The following sections describe how to operate the controls to start, stop, or change the operating mode of the UPS.

To Place the UPS in Normal Mode:

1. Close BIB circuit breaker.
2. Close **CB1** circuit breaker.
3. Turn the **BATTERY** switch to **NORMAL**.
4. Turn the **MODE** switch to **NORMAL**.
5. Ensure the Emergency Power Off **PUSH TO RESET** pushbutton is pressed in.
6. Turn the **START** switch to the right momentarily.

After the rectifier reaches 540 VDC, the DC to DC converter begins to turn on. After the converter reaches full voltage, the *OK To Close CB2* notice is displayed on the Monitor Panel LCD screen.

7. When the *OK To Close CB2* notice is displayed on the Monitor Panel LCD screen, close circuit breaker **CB2**.

The inverter begins to turn on. When the inverter reaches full voltage, it turns on and supplies power to the critical load.

If a bypass source is available when you turn the **START** switch on, the critical load is immediately supplied by the bypass source in Bypass mode until the inverter turns on and the UPS transfers to Normal mode. The status indicators on the Monitor Panel indicate when the UPS is in Bypass mode and Normal mode.

To Shut Down the UPS from Normal Mode:

1. Turn the **MODE** switch to **BYPASS**.
The UPS switches to Bypass mode. If the bypass source is not available, the power processor remains on and an alarm sounds.
2. When the transfer is complete (the LCD screen reads On Bypass), move the **CB2** breaker switch to **OFF**. Then move the **CB1** breaker switch to **OFF**.
The bypass source supplies the critical load and the power processor de-energizes. The Bypass mode indicator illuminates on the Monitor Panel.

To Start the UPS in Bypass Mode:

If the power processing unit (PPU) of the UPS is not available and you need to energize your critical load right away, you can energize your critical load without the benefit of backup. To turn the UPS on in Bypass mode:

1. Turn the **MODE** switch to **BYPASS**. (The remaining switches can be in any position.)
2. Ensure the Emergency Power Off **PUSH TO RESET** pushbutton is pressed in.
3. Turn the **START** switch to the right momentarily.
Power to the critical load is supplied by the bypass source. No backup is available.

To Transfer the Critical Load to Maintenance Bypass from UPS Bypass:

1. Confirm BIB circuit breaker is closed.
2. Turn **MODE** switch to **BYPASS**.
The UPS switches to Bypass mode. If the bypass source is not available, the power processor remains on and an alarm sounds.
3. Close MBP circuit breaker.
Caution: Failure to close the MBP circuit breaker will result in loss of power to the critical load.
4. Open MIS circuit breaker. The critical load is now on maintenance bypass.
5. Open the BIB circuit breaker to electrically isolate the UPS bypass.
6. When the transfer is complete, move the **CB2** breaker switch to **OFF**. Then move the **CB1** breaker switch to **OFF**.
The maintenance bypass source supplies the critical load and the power processor de-energizes.

To Transfer the Critical Load to UPS Bypass from Maintenance Bypass:

1. Confirm BIB circuit breaker is closed.
2. Turn the **MODE** switch to **BYPASS**.
The UPS switches to Bypass mode. If the bypass source is not available, the power processor remains on and an alarm sounds.
3. Close MIS circuit breaker.
Caution: Failure to close the MIS circuit breaker will result in loss of power to the critical load.
4. Open MBP circuit breaker. The critical load is now on UPS bypass.
5. To transfer the critical load to normal mode follow the procedure "To Place the UPS in Normal Mode" at the beginning of this section.

To Cold Start the UPS from Battery (No AC Input Power):

To start the UPS system when commercial power is not available, perform the following procedure:

1. Ensure the feeder breaker is open (no input or bypass power available).
2. Place the **BATTERY** switch in the **NORMAL** position.
3. Place the **MODE** switch in the **NORMAL** position.
4. Ensure the Emergency Power Off **PUSH TO RESET** pushbutton is pressed in.
5. Close input breaker **CB1**.
6. Place Power Switch S1 (located in the environmental cabinet) to the ON position.

Logic power comes on for all PCBs and Horn sounds every 2 seconds.

7. The following UPS messages are displayed on the Monitor Panel LCD screen:

Status: Load Off
Alarm: Converter Offline
Notice: Bypass AC Under Voltage
Output AC Under Voltage
Converter in Shutdown

8. Monitor the LCD meter screen for battery voltage.
9. Press and hold Cold Start switch S2.

The converter K1 contactor closes after 5 seconds.
LCD meter screen should indicate 120 to 130 VDC.

The following message appears on the screen:

Notice: OK to Close CB2
Converter In Startup

10. Close battery breaker **CB2**.
11. When the DC reaches 250 VDC, the converter starts.
The DC walks up to 540 VDC.
The inverter starts.
K3 closes.
All fans and blowers are functional.

12. System is now on line (Inverter input supported by battery) and will continue until the battery is depleted or commercial input power returns.

The following messages appear on the screen:

Status: System Normal, On Battery
Alarm: On Battery more than 30 Seconds
Notice: Bypass AC Under Voltage
Bypass is Not Available
Input AC Under Voltage

13. Place Power Switch S1 (located in the environmental cabinet) to the OFF position.
14. To return the UPS to NORMAL MODE of operation when commercial power returns, close the feeder breaker.
The UPS can be transferred to bypass and shut down normally.

To Shut Down the UPS from Cold Start:

1. Place Power Switch S1 (located in the environmental cabinet) to the ON position.
2. Place the **BATTERY** switch in the **OFF** position.
3. Place the **MODE** switch in the **BYPASS** position.
4. Place Power Switch S1 (located in the environmental cabinet) to the OFF position.
5. Open battery breaker **CB2**.
6. Open input breaker **CB1**.

To Reset the DC to DC Converter:

1. Turn **BATTERY** switch to **OFF**.
2. Wait at least four seconds. Turn **BATTERY** switch to **NORMAL**. The converter restarts.

Using the EMERGENCY POWER OFF Pushbutton

Emergency Power Off is initiated by the covered, red **EMERGENCY POWER OFF** pushbutton on the Monitor Panel. This pushbutton is protected by a clear plastic shield to prevent accidental activation. In an emergency, you can press this pushbutton to instantaneously open the input breaker and interrupt UPS output. The UPS is cut off from utility power, and your critical load is de-energized. All power to the critical load is lost. The UPS (including Bypass) remains locked off until you reset the **EMERGENCY POWER OFF** pushbutton.

WARNING:

All power to the critical load is lost when you press this pushbutton. You should use this feature only in an emergency or when you want to de-energize the critical load.

To restart the UPS after pressing the **EMERGENCY POWER OFF** pushbutton, follow the procedure “Resetting UPS System after Emergency Power Off” of this chapter before starting the UPS.

NOTE: *The Remote EMERGENCY POWER OFF option functions the same way as the EMERGENCY POWER OFF pushbutton on the Monitor Panel.*

To Use the EMERGENCY POWER OFF Pushbutton

1. Raise the clear plastic shield covering the red **EMERGENCY POWER OFF** pushbutton on the Monitor Panel.
2. Press the **EMERGENCY POWER OFF** pushbutton.
The breakers open (you can hear them opening). The breaker **CB1** trips, and the Emergency Power Off **PUSH TO RESET** pushbutton on the UPS Control Panel pops out. The UPS system shuts down.

Resetting UPS System after Emergency Power Off

CAUTION:

Do not attempt to restart the system until the cause of the emergency has been identified and cleared.

The Emergency Power Off **PUSH TO RESET** pushbutton is a small white button on the UPS Control Panel. The **PUSH TO RESET** pushbutton pops out and the **CB1** switch trips when the **EMERGENCY POWER OFF** pushbutton on the Monitor Panel is activated.

To reset the UPS system:

1. Press the Emergency Power Off **PUSH TO RESET** pushbutton until it clicks in and remains recessed.
2. Move the **CB1** switch from the **TRIPPED** (center) position to **OFF**. The switch should be difficult to move from the **TRIPPED** position.
3. The UPS system is now reset. To restart the UPS system, follow the procedure at the beginning of this chapter.

11

Using Features and Options

The many standard features of your UPS provide consistent, economical, and dependable power protection. In addition, you can add available options and accessories to enhance the performance of your UPS system. This chapter provides detailed descriptions of some of the features and options introduced earlier in this manual.

Building Alarm Monitoring

This standard feature lets you connect the UPS to your building alarms, such as smoke detectors or overtemperature alarms. The terminals for external connections are located inside the UPS on the customer interface panel (see Figure 35).

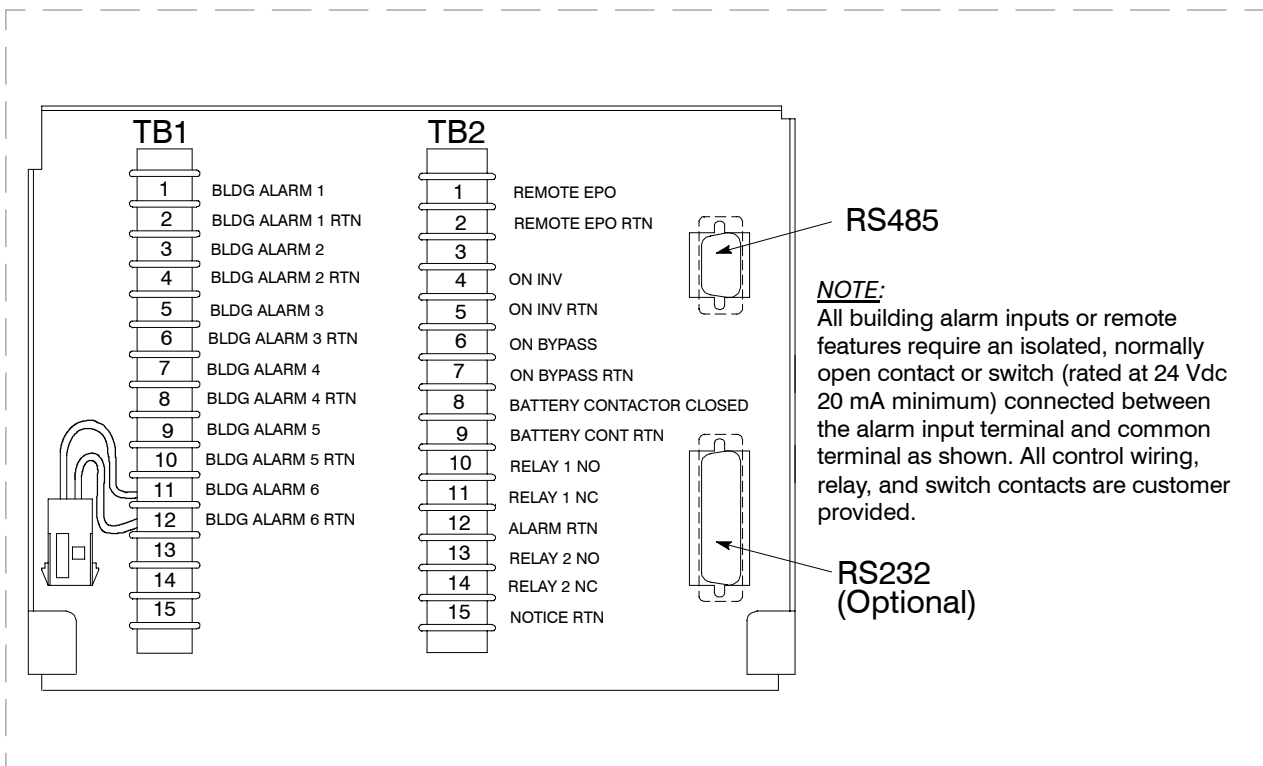


Figure 35. External Connections for Building Alarm Monitoring

Regardless of how you assign the building alarms, they display as Building Alarm 1, Building Alarm 2, Building Alarm 3, etc., on the LCD screen of the Monitor Panel. You should use twisted pair wires for each alarm input and common.

Summary Alarm Contacts

Two summary alarm contacts are provided as a standard feature on the UPS. The alarm contacts (one notice and one alarm) are located inside the UPS on the customer interface panel (see Figure 36).

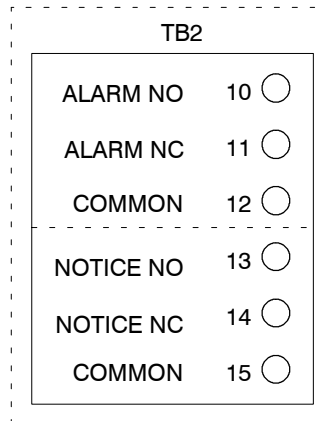


Figure 36. Summary Alarm Contacts

You can specify that each contact be either normally closed (NC) or normally open (NO). If the state of the contact changes from the state you specify as normal, an alarm is issued. You can connect these contacts to equipment at your facility (such as a light or an alarm bell) to let you know when an alarm is active on the UPS. This feature is useful if the UPS is located in a remote area where the UPS alarm horn may not be heard immediately.

CAUTION:
Contacts should not be operated in excess of 30 VAC or 42.4V peak AC or DC @ 1A maximum.

Remote Monitor Panel

As an option, you can install Remote Monitor Panels (RMPs) to monitor the operation of the UPS system from virtually any location within your facility, up to 500 feet from the UPS. Each RMP contains backlit status indicators and a local horn. You can flush-mount or surface-mount an RMP on a desktop, wall, or wherever you have a serial interface line. A maximum of two monitoring accessories (RMPs, Relay Interface Modules (RIMs), or Supervisory Contact Modules (SCMs)) can be installed. See Table 1 for the number of accessories permitted. Figure 37 shows an RMP.

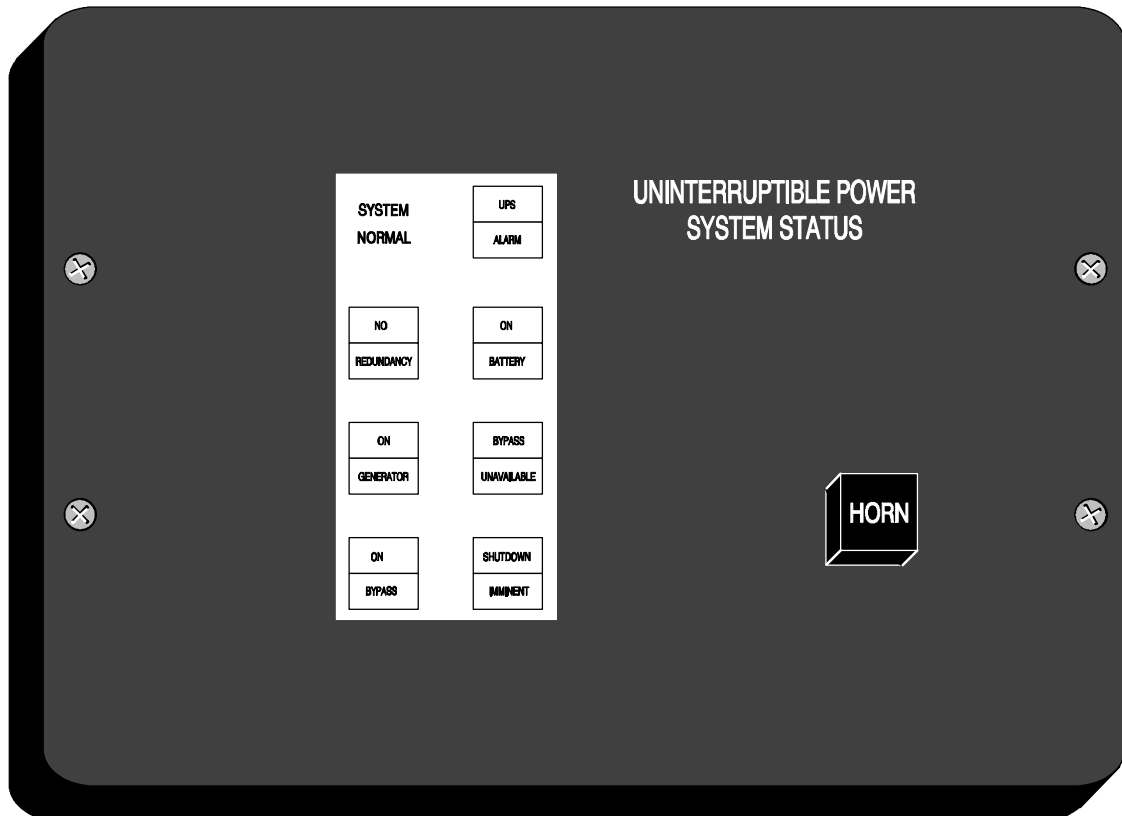


Figure 37. Remote Monitor Panel

Table 1. Optional Monitoring Accessories		
Number and Type of Accessories Permitted		
Remote Monitor Panel	Relay Interface Module	Supervisory Contact Module
2	—	—
—	2	—
—	—	2
1	1	—
1	—	1
—	1	1

The RMP contains a local horn and the following backlit status indicators:

SYSTEM NORMAL

The UPS is energized (either with utility power or battery backup) and is supplying conditioned power to the critical load.

NO REDUNDANCY

This indicator applies only to parallel systems when one cabinet is not functioning. This feature is not available on this system.

ON GENERATOR

This alarm means that the UPS input and bypass are being supplied by the power from the generator, instead of from the utility power.

ON BYPASS

The bypass source is supplying the critical load. Usually this means that the UPS is not energized. The load is not protected in Bypass mode, and a horn sounds after 30 seconds.

UPS ALARM

The UPS system is issuing an alarm. Conditions that affect the current UPS mode are indicated by the alarm lamps and horn on the UPS.

ON BATTERY

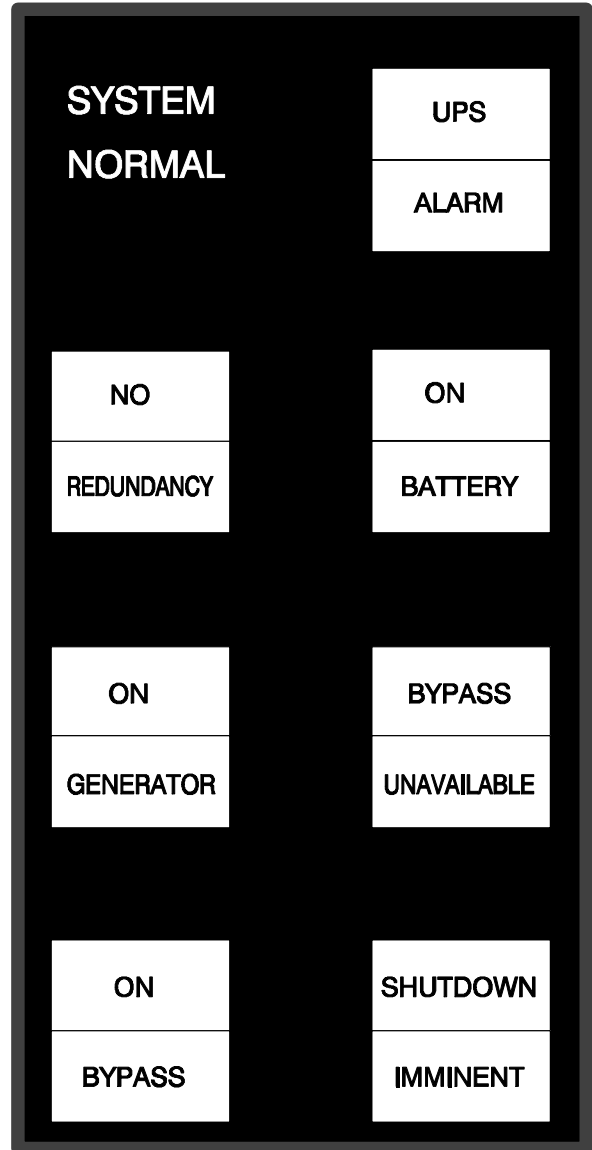
The UPS battery backup is supplying the critical load. The utility power is either interrupted or out of specification. The SYSTEM NORMAL indicator is also lit.

BYPASS UNAVAILABLE

The UPS system is in Normal mode, but a bypass source is not within specification. A horn sounds after 30 seconds.

SHUTDOWN IMMINENT

The UPS is preparing to shut down because the UPS is in Battery mode and the DC voltage is approaching its low limit. This light is accompanied by an audible alarm horn.



Relay Interface Module

An optional Relay Interface Module (RIM) uses relay contact closures to indicate the operating status and alarm condition of the UPS system. A maximum of two monitoring accessories (RMPs, RIMs, or SCMs) can be installed. See Table 1 for the number of accessories permitted. Figure 38 shows the RIM with its four 15-pin connectors labeled J1 through J4.

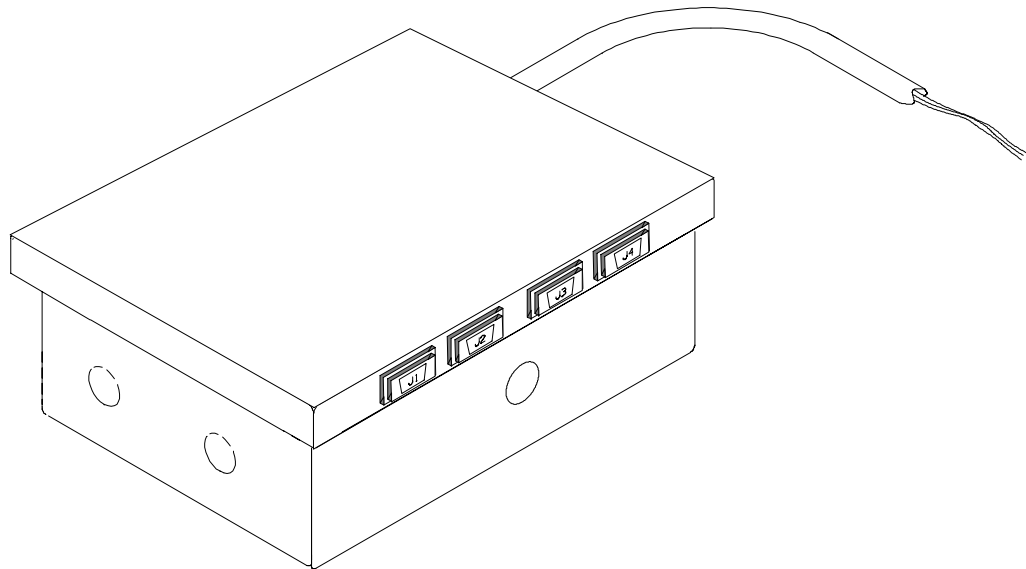


Figure 38. Relay Interface Module

The RIM can provide these signals:

- **UPS AVAILABLE** (pins 1 and 12) Contacts are closed when the UPS is offline.
- **UPS OFF LINE** (pins 3 and 13) Contacts are closed when the UPS is operating in Normal mode.
- **UTILITY FAILURE** (pins 6 and 15) Contacts are closed when Utility Failure is detected.
- **BATTERY WEAK** (pins 5 and 14) Contacts are closed when approximately 2 minutes of battery time is remaining, before the critical load is lost.

Supervisory Contact Module

An optional Supervisory Contact Module (SCM) establishes an interface between the UPS manufacturer's equipment and the customer's monitor. This interface allows the customer to monitor operational status of the UPS equipment. A maximum of two monitoring accessories (RMPs, RIMs, or SCMs) can be installed. See Table 1 for the number of accessories permitted. Figure 39 shows the SCM, input connections on TB1, and output connections on TB2.

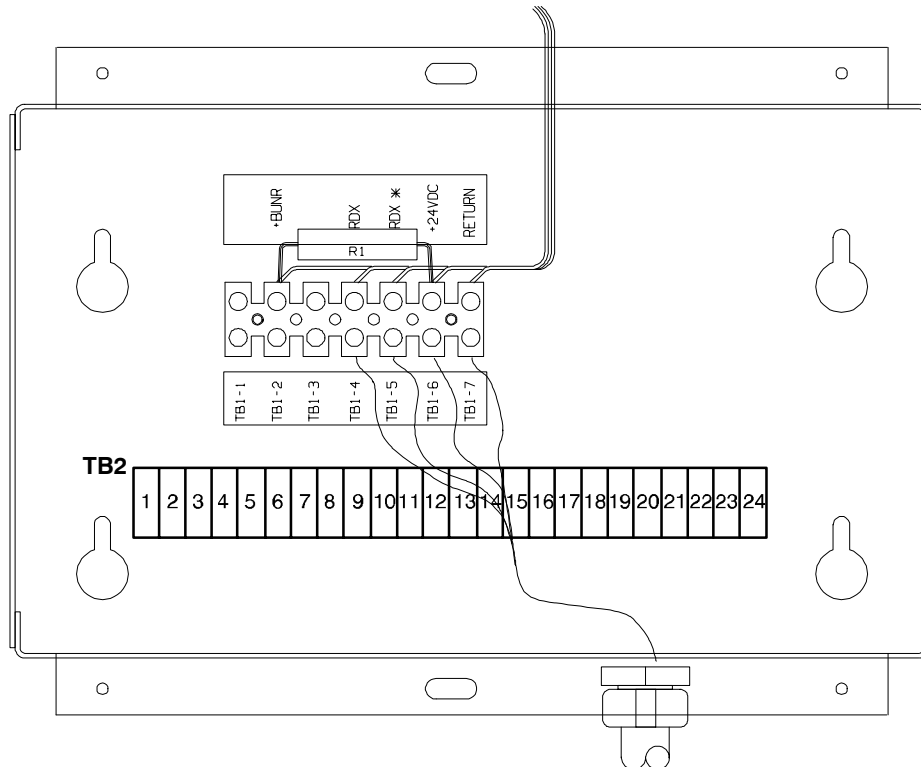


Figure 39. Supervisory Contact Module

The SCM provides signals for the following indications:

- **SYSTEM NORMAL** TB2-1 through TB2-3
- **NO REDUNDANCY** TB2-4 through TB2-6
- **ON GENERATOR** TB2-7 through TB2-9
- **BYPASS NOT AVAILABLE** TB2-10 through TB2-12
- **ON BATTERY** TB2-13 through TB2-15
- **UPS ALARM** TB2-16 through TB2-18
- **ON BYPASS** TB2-19 through TB2-21
- **SHUTDOWN IMMINENT** TB2-22 through TB2-24

See Chapter 6, "Installing a Supervisory Contact Module" for TB2 contact configurations.

12

Responding to System Events

When the UPS system is running in Normal mode, it continually monitors itself and the incoming utility power. In Battery or Bypass modes, the UPS may issue alarms to let you know exactly what event caused the change from Normal mode. System events can be indicated by horns, lights on the UPS, or both.

Select **Active** from the Events menu on the LCD screen to look at the Active System Events screen. This screen shows any currently active alarms, notices, or commands.

System Event Horns

The system event horn beeps according to the type of event it is signifying:

- When the UPS detects an alarm that requires your attention, the horn beeps at ½-second intervals.
- When a notice occurs, the horn beeps at 2-second intervals.
- If the battery contactor is open and the Bypass mode is unavailable, the horn beeps every 4 seconds.

System Event Lights

The status indicators on the UPS Monitor Panel work in conjunction with the event horn to let you know when the UPS is operating in any mode other than Normal. Only the Normal indicator is visible during normal UPS operation. The others light to indicate alarms or events. When an alarm occurs, you should first check these indicators to see what type of event has taken place. For descriptions of the status indicators, see “Reading the Status Indicators” section of Chapter 9, “Using the Monitor Panel”.

System Event Messages

When a system event occurs, a message is added to the Event History Log. A message may also appear on the Monitor Panel of the UPS. The Event History Log contains all system event messages, whether or not they were displayed on the Monitor Panel.

INVERTER ALARMS

- Inverter Failure
- Inverter AC Over Voltage
- Inverter AC Under Voltage
- Inverter Over Frequency
- Inverter Under Frequency
- Inverter DC Over Voltage
- Bypass Phase Rotation
- Inverter Phase Rotation
- Service Required
- UPS Tripped
- Shutdown Imminent
- UPS Off
- Battery Contactor (K2) Failed
- Bypass Contactor (K4) Failed
- Inverter Contactor (K3) Failed
- Bypass Control Failed
- Check Unit Setup
- Bypass Contactor (K4) Fail
- Battery Ground Fault
- 100% Overload Shutdown
- 125% Overload Shutdown
- Over Temperature Shutdown
- Network Sync Failure
- Inverter Calibration Required
- Inverter Setup Required

RECTIFIER ALARMS

- Rectifier Failure
- Rectifier DC Over Voltage
- Rectifier DC Under Voltage
- Input Phase Rotation
- Over Temperature
- Over Temperature Warning
- Temperature Sensor Failure
- Rectifier Calibration Required
- Rectifier Setup Required

MONITOR ALARMS

- Overload Warning
- Load Over 100%
- Load Over 125%
- Battery Test Failed
- Battery Test Failed
- EEPROM Write Failed
- Logic Power Supply Failure
- Fan Failure
- UPS Failure
- Other UPS is On Bypass
- Other UPS Status is Unknown
- Emergency Bypass Failure
- Redundant Module Failure
- Check KW Sensing
- Check Parallel Setup
- Parallel System Overload
- On Battery more than 30 Seconds
- Check UPM Breaker (CBS) AUX
- Check Bypass Breaker (CBP) AUX
- Monitor Calibration Required
- Monitor Setup Required

ENVIRONMENTAL CABINET ALARMS

- Converter Offline
- Converter Failure
- Converter Fan Failure
- Converter Fuse Blown
- Converter Overtemp
- Converter Link OV
- Converter Link UV
- Converter Battery OV
- Converter Battery UV
- Converter Overcurrent
- Converter Calibration Required
- Converter Setup Required
- Converter Board Failure

INVERTER NOTICES

- Input Breaker (CB1) Open
- Bypass Mode
- Bypass AC Over Voltage
- Bypass AC Under Voltage
- Bypass Over Frequency
- Bypass Under Frequency
- Bypass is Not Available
- Battery Discharged
- Battery DC Under Voltage
- Battery Disconnected
- Battery Not Charged
- Phase A Current Limit
- Phase B Current Limit
- Phase C Current Limit
- Battery Voltage Low
- Inv. Logic Power Failure

RECTIFIER NOTICES

Input AC Over Voltage
Input AC Under Voltage
Input Over Frequency
Input Under Frequency
Power Supply Over Voltage
Power Supply Under Voltage
Input Transient
DC Voltage Low
DC Voltage High
Equalizing Battery
Testing Battery
Battery Test Failed
Input/Battery Current Limit
Reduced Input Current Limit
Rct. Logic Power Failure

MONITOR NOTICES

Output AC Over Voltage
Output AC Under Voltage
Output Over Frequency
Output Under Frequency
Three Wire AC Over Voltage
Three Wire AC Under Voltage
Three Wire Under Freq.
PowerNode Network Down
Power Off Switch
Rectifier Network Down
Inverter Network Down
Monitor Network Down
Battery Time Low
Batt Test Requires Calibration
Battery Time Low
Monitor Logic Power Failure
Building Alarm 1 Active
Building Alarm 2 Active
Building Alarm 3 Active
Building Alarm 4 Active
Building Alarm 5 Active
Building Alarm 6 Active
Testing Battery
Battery Test Aborted (load)
Battery Test Aborted (utility)
Battery Passed Test
##Printing Sampled Data
Other UPS Bypass Not Available
Loss of Redundancy

CONVERTER NOTICES

Converter Shutdown
Converter In Startup
OK To Close CB2
Converter Logic Power OK

CONVERTER STATUSES

Converter Normal

This Page Intentionally Left Blank.

13

Serial Communications

This chapter describes the serial communications feature of the Powerware BP111 HE UPS. One RS-232/RS-485 *serial communication port* and an optional RS-232 *serial communication port* allow the connection of equipment to view system event information.

The following sections describe the serial communications feature, and provide information about connecting hardware, setting up the ports, changing settings, and changing modes.

Locating the Communications Panel

The Communications Panel inside the UPS contains two serial communications ports, one DB-9 and one optional DB-25. The ports provide a computer interface to a Remote Monitor Panel (RMP), Relay Interface Module (RIM), or remote terminal and/or printer. The Communications Panel also contains terminals (TB1 and TB2) for connecting your equipment to the UPS. Figure 40 shows the location of these items inside the UPS.

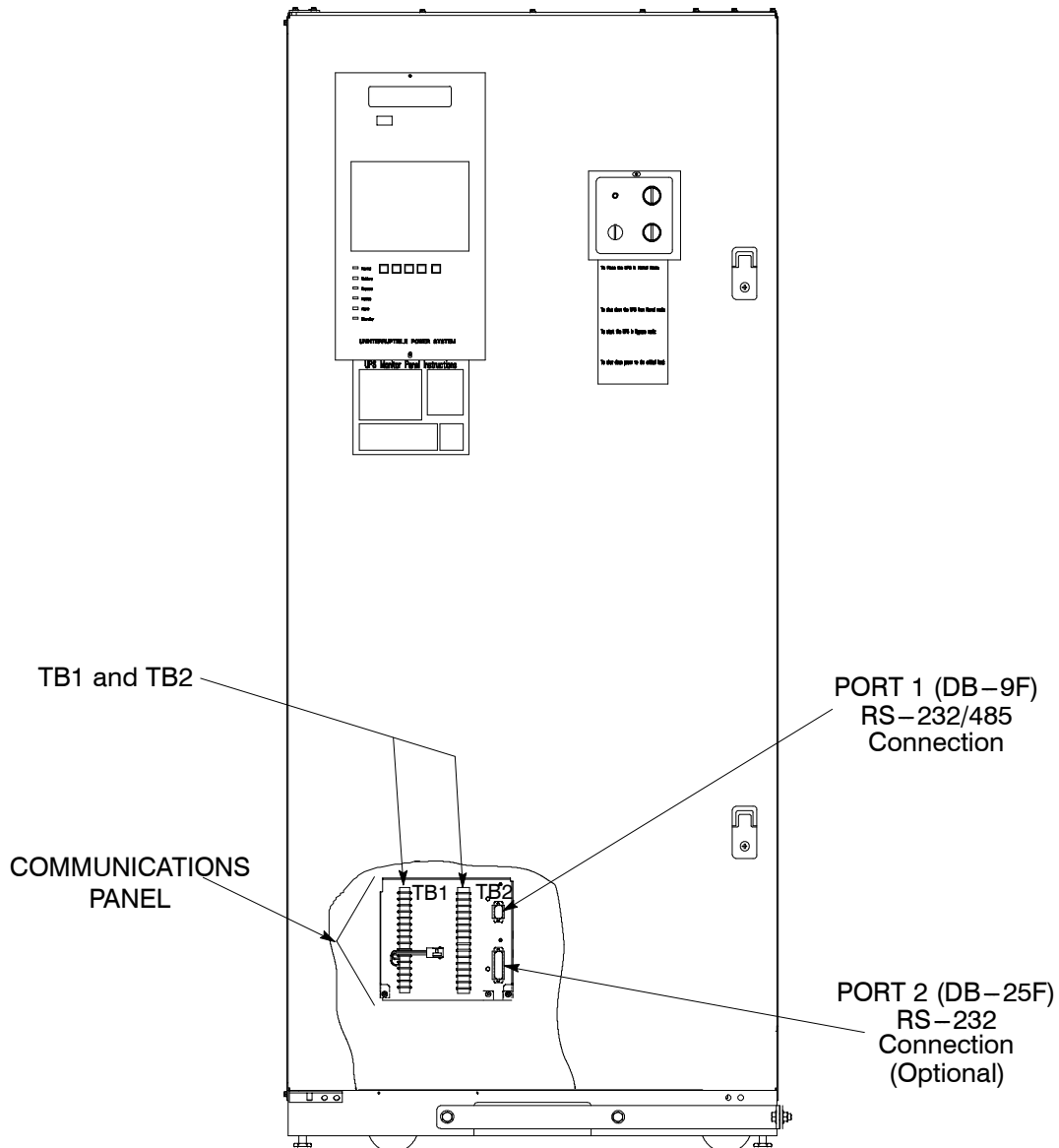


Figure 40. Location of Communications Ports on the Powerware BPIII HE UPS (shown without the Environmental Cabinet)

Connecting Equipment to a Serial Port

You can connect a wide variety of terminals, printers, and computers to each port, and configure the UPS as the Data Communication Equipment (DCE). Set up the remote equipment using the appropriate parameters for the mode you select. The following section provides more information about configuration.

The cables you use for connection depend on the equipment you are connecting to the UPS. Cables should be no longer than 16m (50 ft). The connectors for Port 1 and Port 2 on the Communications Panel in the UPS are female, so the cables should be male. Figure 41 shows the pin assignments for Port 1, and Table 2 describes them. Figure 42 shows the pin assignments for Port 2, and Table 3 describes them.

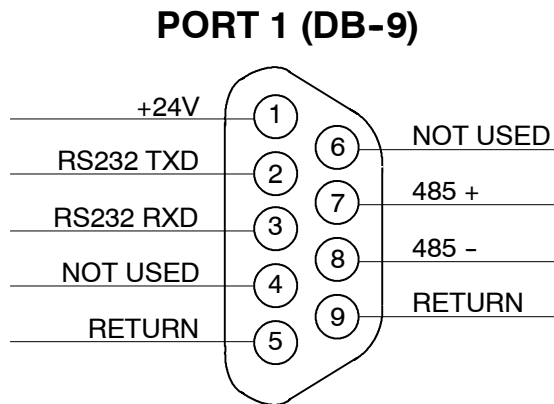


Figure 41. Port 1 Pin Assignments

Table 2. Pin Assignments for Port 1 (DB-9)			
Pin #	Symbol	Description	Comments
1	+24V	+ 24 volts DC	
2	TXD	Transmit Data	Input to UPS
3	RXD	Receive Data	Output from UPS
5	RTN	Return	
7	485+	RS485 + Data	
8	485-	RS485 - Data	
9	RTN	Return	

Optional PORT 2 (DB-25)

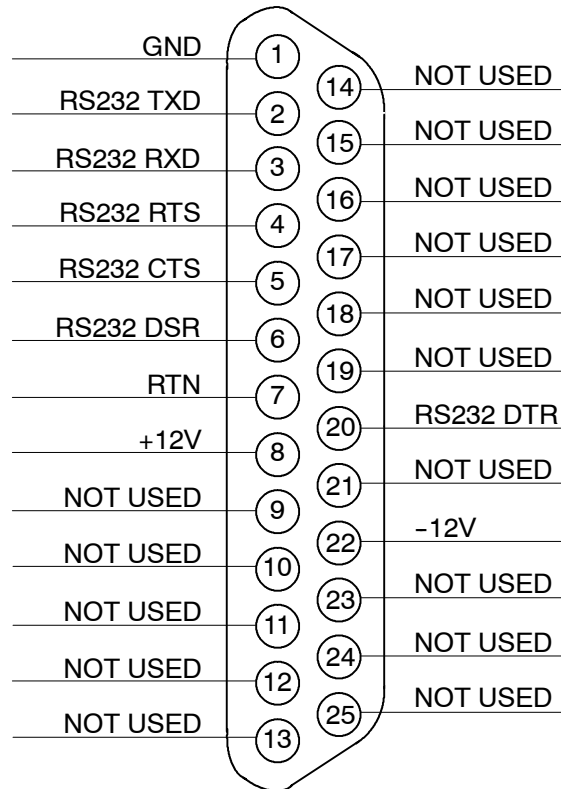


Figure 42. Port 2 Pin Assignments

Table 3. Pin Assignments for Port 2 (DB-25)			
Pin #	Symbol	Description	Comments
1	GND	Chassis Ground	
2	TXD	Transmit Data	Input to UPS
3	RXD	Receive Data	Output from UPS
4	RTS	Request to Send	Input to UPS
5	CTS	Clear to Send	Output from UPS
6	DSR	Data Set Ready	Output from UPS
7	RTN	Return	
8	+12V	+ 12 volts	Output from UPS – always true
20	DTR	Data Terminal Ready	Input to UPS – typically not used by UPS
22	-12V	- 12 volts	Output from UPS – always true
<i>NOTE: Pins 5 and 6 are tied together internally.</i>			

Configuring the Serial Ports

You must configure the port for communications using the LCD screen and pushbuttons on the UPS Monitor Panel.

Select **Port 1** or **Port 2** (optional) from the Setup menu to display one of the Setup Port screens. The screens for Port 1 and Port 2 are identical, and allow you to specify settings for the two serial communication ports. Figure 43 shows the Setup Serial Port 1 screen.

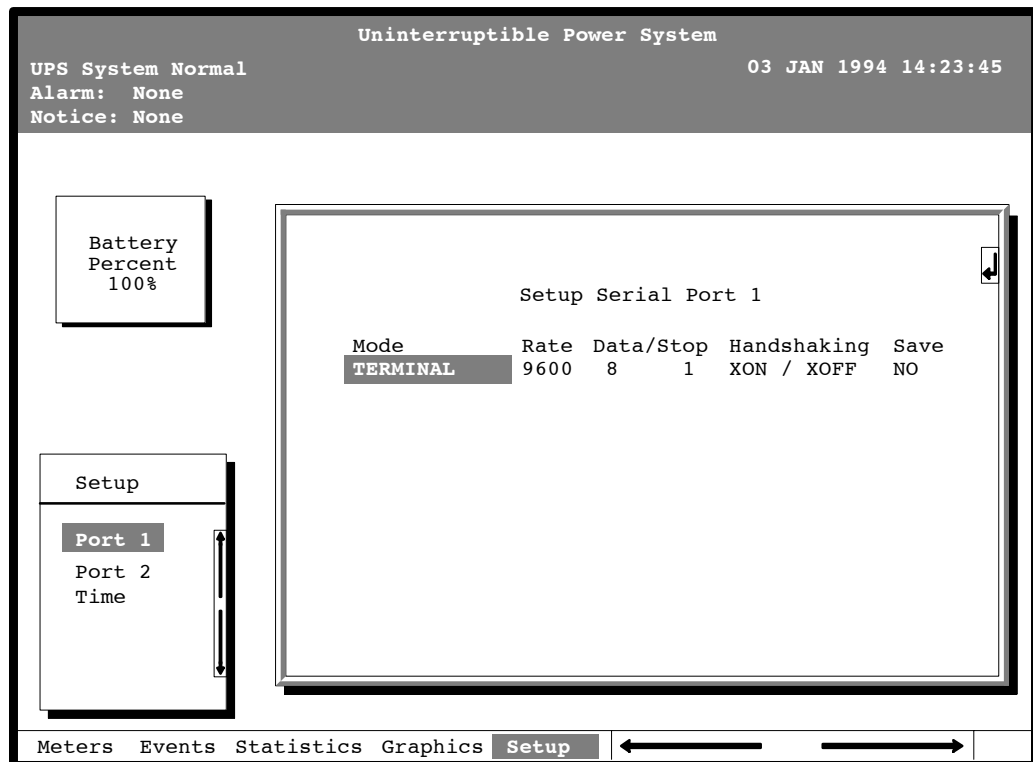


Figure 43. Setup Serial Port 1 Screen

A small return arrow (↵) appears in the upper right corner of the Setup Port screen. This arrow is a reminder that you can press the ↵ pushbutton on the Monitor Panel to toggle the pushbuttons between the menu box and the information area.

If the scroll bar is in the menu box, press the ↵ pushbutton to toggle to the information area. The first setting (Mode) is highlighted. Press the ← or → pushbutton to move the highlight to the setting you want to change. To scroll through the available options for that setting, press the ↑ or ↓ pushbutton.

To save the settings upon exit from this screen, be sure the Save field is set to YES.

Table 4 shows which options are available for each port. The sections that follow describe the configuration settings you can change.

Table 4. Options Available for Each Communication Port		
Port 1	Port 2	Options
X	X	Terminal Mode
		Calibration Mode
X	X	System Configuration
	X	Computer Mode
X		Remote Monitor Mode
X	X	Baud rate of 300, 1200, 2400, 4800, 9600, or 19,200
X	X	Data size/stop bits of 8/1 or 8/2
	X	Data size/stop bits of 7/1 or 7/2
X	X	Disabled handshaking
X	X	XON/XOFF handshaking

Mode

The operational mode of the port. Each communications port operates in one of the following modes:

- Terminal mode** System events are logged immediately as they occur.
- Calibration** Used only by service personnel.
- System Config.** Allows you to set building alarms, battery tests, etc. *(Check with your Sales or Service Representative for availability.)*
- Computer** Provides a proprietary Binary Computer Mode (BCM) Interface.
- Remote Monitor** Sends all system event information to an RMP, RIM, or Supervisory Contact Module (SCM). Available for Port 1 only.

Port 1 and Port 2 cannot be in the same mode simultaneously; they must always be operating in different modes. The modes are described later in this chapter.

Rate

The baud rate of the equipment connected to this port. The baud rate determines the speed of data transferred between the UPS and the connected equipment. For Remote Monitor mode, the baud rate must be set to 300. All other modes should operate at the highest baud rate available with the connected equipment. 300 baud is not recommended for any mode except Remote Monitor.

You can select a baud rate of 300, 1200, 2400, 4800, 9600, or 19,200.

Data/Stop

The data size and stop bits of the equipment connected to this port. These settings determine the number of bits transmitted per ASCII character. The data size and stop bits you specify depend on the configuration of your equipment.

For Port 1, the data size must be set to 8, with 1 or 2 stop bits. Settings of 7 data bits/1 stop bit and 7 data bits/2 stop bits are available for Port 2.

NOTE: *When connecting a computer running a terminal emulation program, you should set your equipment to NO PARITY.*

Handshaking

This setting controls handshaking. You can select XON/XOFF or Disabled for this setting.

Disabled (No Handshaking)

If handshaking is disabled, the UPS will transmit and receive data via the serial port, ignoring all inputs from handshaking lines.

XON/XOFF

If handshaking is enabled, the UPS uses special characters (XON and XOFF) to handshake with the host terminal. The XON character is defined to be ASCII value 11 hex, and the XOFF character is defined to be ASCII value 13 hex. Upon reception of an XOFF command, the UPS halts transmission until an XON command is received. In the same way, if the terminal receives an XOFF command, the UPS expects the terminal to halt transmission until the UPS sends an XON command.

Save

Set to YES to save any changes to configuration settings upon exit from the Setup screen. Set to NO if you do not want to save any changes.

Default Settings

The following are the default configuration settings for the serial communications ports:

Port 1 Remote Monitor 300 baud 8/1 Handshaking Disabled

Port 2 Terminal 9600 baud 8/1 Handshaking Disabled

Each communications port on the UPS operates in one of five modes which you select when configuring the port using the Setup Port screen.

Terminal Mode

In this mode, system events are continually logged through the serial port to the device connected to the port. Port 2 operates by default in Terminal mode.

The printed log entries contain a time and date stamp and the alarm text message. Terminal mode uses this format for printing alarm entries:

```
MMM DD  HH:MM:SS.hh  KYWD MESSAGE  ****  <CF> <LF>
```

<i>Symbol</i>	<i>Description</i>
MM	Month (3 letters)
DD	Day (2 digits)
HH	Hour (2 digits)
MM	Minute (2 digits)
SS	Second (2 digits)
hh	Hundredths of Second (2 digits)
KYWD	Keyword (ALARM, NOTICE, COMMAND, or STATUS)
****	System Diagnostic Information
<CF>	Carriage Return Character (ASCII 13)
<LF>	Line Feed (ASCII 10)

An alarm message is prefixed by the word "CLEAR" whenever an alarm is entered into the Event History Log with a cleared status.

Printing Selected Information

If a port is operating in Terminal mode and is connected to a computer, you can use key combinations at any time to print only selected information:

Ctrl+P	Prints the entire log with a header
Ctrl+M	Prints the current system meters with a header
Ctrl+A	Prints all system information
Ctrl+B	Prints Battery Test Log

To use a key combination, hold down the Control key and press the letter key.

Entire Log (Ctrl + P)

This key sequence prints the entire Event History Log of the UPS at the time the data is requested. The printout begins with the oldest alarm entry in the queue and ends with the most recent. Any alarms that occur while the Event History Log is printing are included in chronological order.

The Event History Log lists up to 400 system events in chronological order with the most recent event listed last. Figure 44 shows a sample Event History Log printout.

```

                                Uninterruptible Power System

UPS System Normal                03 JAN 1994 14:22:49
Alarm:  None
Notice: None

                                Event History Log

                                Event Description

MAY 12 16:41:19.3 COMMAND: Keyswitch On      0421
      12 16:41:29.1 STATUS:  Auto Mode      1000
      12 16:41:42.4 COMMAND: Rectifier Commanded On  2030
      12 16:42:05.5 STATUS:  Inverter On      2202
      12 16:42:46.8 STATUS:  Rectifier On
      12 16:43:15.8 STATUS:  Battery Contactor (K2) Closed
      12 16:43:42.4 STATUS:  Inverter Contactor (3) Closed
      12 16:44:29.1 STATUS:  Bypass Contactor (K4) Open  32
      12 16:44:36.6 STATUS:  Inverter Normal  4001

JUN 04 12:16:35.9 NOTICE:  Room High Temperature

```

Figure 44. Event History Log

Meters Printout (Ctrl + M)

This key sequence prints the current readings of the UPS system meters. The Input area shows the phase-to-phase voltage, frequency, and phase current of the incoming utility, followed by the kVA, kW, and power factor measurements. The output area shows the same information for the power being output by the UPS. The Bypass area shows the phase-to-phase voltage of the bypass source. The Battery area displays the DC voltage (V) and the DC current (I). Figure 45 shows a sample Meters printout.

```
Uninterruptible Power System
UPS System Normal           03 JAN 1994 14:22:49
Alarm: None
Notice: None

      Input                      Output
VAB  VBC  VCA  FREQ          VAB  VBC  VCA  FREQ
480  480  480  60.0          208  208  208  60.0

      IA   IB   IC              IA   IB   IC   IN
      88   88   88              222  222  222   0

      KVA  KW   PF              KVA  KW   PF
      73   69  0.95              80   64  0.80

      Bypass                      Battery
VAB  VBC  VCA              V   +   I
480  480  480              540  +   0
```

Figure 45. System Meters

System Information Printout (Ctrl + A)

This key sequence prints a listing of all available serial data. This printout contains the information shown on the Event History Log and Meters screens of the UPS (both Figures 44 and 45).

Battery Test Printout (Ctrl + B)

This key sequence prints the Battery Test Log. The log consists of a history of the last 30 battery tests that were run and the results of those tests. The most recent test will appear at the bottom of the log. Figure 46 shows a sample of the Battery Test Log.

```
Uninterruptible Power System
      UPS # 1
UPS System Normal           12 APR 95 15:39:31
Alarm:  None
Notice:  None

      Battery Test Log
Date/Time      Volts  Health  Data
AUG  14 23:45 498.0 1.00  0000
SEP  11 23:45 498.0 1.00  0000
OCT  9  23:45 498.0 1.00  0000
NOV  13 23:45 498.0 0.99  0000
DEC  11 23:45 498.0 0.99  0000
JAN  8  23:45 498.0 0.98  0000
FEB  12 23:45 498.0 0.98  0000
MAR  12 23:41 000.0 0.00  0003
APR  9  23:45 496.2 0.98  0000
```

Figure 46. Battery Test Log

The **Date/Time** field is the date and time of the battery test.

The **Volts** field is a measured value of the battery voltage during the test. This field will display 000.0 if the test did not run to completion.

The **Health** field is a relative measurement of your batteries condition. This number can be used to chart the condition of your batteries. If a sudden change of this number occurs relative to the previous test results, it is an indication that your batteries may need attention. This display is 0.00 if the test does not run to completion.

The **Data** field is a value to be used by your field service engineer to gain more information about the battery tests.

If the battery test does not complete, the Volts and Health field will read zero and the UPS Event History Log will report either Battery Test Failed, Battery Test Aborted (Load), or Battery Test Aborted (Utility). If the test ran to completion, Battery Passed Test will appear in the UPS Event History Log.

System Configuration

The System Configuration mode allows you to modify special functions in your UPS. These functions include programming of building alarms, customizing building alarm messages, adjusting the nominal output voltage, and scheduling battery tests. The menus provided and their function are described in this section.

System Configuration Mode Main Menu

When the System Configuration mode is selected with a terminal attached, you will be prompted to enter the password for this mode:

Please Enter Password:

The default password is IPMBP3. You may modify this password using the change password function in the following menu. When the valid password is entered, the main menu will be displayed:

- Program Mode Main Menu
1. Program Building Alarms
 2. Program Unit Name
 3. Adjust Output Voltage
 4. Change Password
 5. Battery Test Setup
 6. Modify Low Battery Time
 7. Exit Program Mode
- Enter Selection:

Program Building Alarms

This menu provides access to all the functions available in the system configuration mode. If 1 is entered at the prompt, you can program the building alarm functions:

- Program Building Alarms
1. Enable/Disable Default Functions
 2. Customize Alarm Messages
 3. Return to Main Menu
- Enter Selection:

Enable/Disable Default Functions

From this menu you may either enable the building alarms for general functions or special functions such as On Generator, Go To Bypass, and Go To UPS. You may also customize the alarm messages from this menu. When 1 is selected from this menu, the following menu is displayed:

Enable/Disable Default Functions

1. Enable/Disable Go To Bypass
2. Enable/Disable Go To UPS
3. Enable/Disable On Generator
4. Enable/Disable Building Alarm
5. Return to Program Building Alarms Menu

Enter Selection:

If you select entry 1–3 from this menu, the following menu will be displayed:

Enable/Disable (*Function*)

Enabled Building Alarm Number(s)

1 4

Enter E# to Enable Building Alarm Number #

Enter D# to Disable Building Alarm Number #

Enter <CR> for No Change

Enter Selection:

Where (*Function*) indicates the function the building alarm is being programmed for. The line following the Enabled Building Alarm Number(s) label indicates which building alarms are currently enabled for the function. (In this example, Building Alarms 1 and 4 are enabled.) A building alarm can only be programmed for one special function at a time from these menus. Enabling a building alarm for a special function automatically enables the alarm. If you disable a special function, the building alarm is also disabled.

If you select entry 4 from this menu, the following menu will be displayed:

Enable/Disable Building Alarm

Enabled Building Alarm Number(s)

1 4

Enter E# to Enable Building Alarm Number #

Enter D# to Disable Building Alarm Number #

Enter <CR> for No Change

Enter Selection:

The line following the Enabled Building Alarm Number(s) label indicates which building alarms are currently enabled. (In this example, Building Alarms 1 and 4 are enabled.)

Customize Alarm Messages

If Customize Alarm Messages is selected from the Program Building Alarm menu, you can select a custom message for a building alarm or disable a previously enabled building alarm custom message. When this entry is selected, the following menu is displayed:

```
Customize Alarm Messages
Enabled on Building Alarm Number(s)
2 3
```

Enter Building Alarm Number:

This example indicates that there are custom messages enabled for Building Alarms 2 and 3. When a building alarm number is entered, the message being used by the software is displayed (either a custom message or the default message indicated by the list of enabled custom messages). If 1 was entered at the prompt, the following will be displayed:

```
Building Alarm Active Message: Building Alarm 1 (default message)
```

Enter New Message or <CR> for No Change:

At this level you can enter a custom message, 30 characters maximum, to display when Building Alarm 1 is activated. If a custom message is entered to activate the building alarm, a custom message should also be entered to deactivate. After the message or a carriage return is entered, the following is displayed:

```
Building Alarm Clear Message: Clear Building Alarm 1 (default message)
```

Enter New Message or <CR> for No Change:

At this prompt, the user should enter the custom message for the building alarm deactivation state. When a message or a carriage return is entered, the following will be displayed:

```
Enter E to Enable Custom Message
```

```
Enter D to Disable Custom Message
```

```
Enter <CR> for No Change
```

```
Enter Selection:
```

If an E is entered at the prompt, the custom messages will be used for the building alarm. If a D is entered, the default messages will be used for the building alarm.

Program Unit Name

If Program Unit Name is selected from the main menu, the following is displayed:

```
Program Unit Name
```

```
Unit Name:
```

```
Enter New Name or <CR> No Change:
```

NOTE: Unit Name is 45 characters maximum

The current unit name is displayed. This name will be displayed on the second line of the display and in the headers of prints from Terminal mode. If a change is desired, the new unit name should be entered at the prompt. The unit name is 45 characters maximum and includes spaces and any punctuation. If the user wants to center the text portion of the name, the appropriate number of leading spaces should be included when entered.

Adjust Output Voltage

If Adjust Output Voltage is selected from the main menu, the following menu is displayed:

Adjust Output Voltage

Output Voltage Setup: 208

Output Voltage Range: 197 – 218

Enter Desired Output Voltage Setup:

The output voltage desired can then be entered or a carriage return for no change. Only values within the range will be accepted.

Change Password

If Change Password is selected from the main menu, the following menu is displayed:

Change Password

Enter New Password:

Verify New Password:

NOTE: Password must be six characters in length.

<CR> to return with no change.

The password will be changed if the user enters and verifies the password. The entry must be six characters.

Battery Test Setup

If Battery Test Setup is selected from the main menu, the following menu is displayed:

Battery Test Setup

1. Setup One-time Delayed Battery Test
2. Setup Monthly Battery Test
3. Setup Quarterly Battery Test
4. Cancel Pending Battery Test
5. Display Next Scheduled Battery Test
6. Return to Main Menu

Enter Selection:

This menu allows you to schedule, review schedule, or cancel pending battery tests. The following menu is displayed when 1–3 is selected:

Enter Starting Month (1–12):

Enter Day of Week, Sunday = 1, (1–7):

Enter Week of Month (1–5):

Enter Hour of Test (0–23):

Enter Minute of Test (0–59):

NOTE: Follow each entry with <CR>.

<CR> with no entry will return to Battery Test Setup Menu.

Enter the information at the prompt with a carriage return to schedule the battery test.

If entry 4 is selected from the Battery Test Setup menu, you will be prompted to enter “Y” to cancel all pending tests. This selection will only cancel pending tests and will not stop a test currently in progress.

If entry 5 is selected from the Battery Test Setup menu, and if a Battery Test is scheduled, the following menu is displayed:

Next Battery Test Scheduled

WK DAY MON HR:MN

4 FRI MAR 15:34

NOTE: Enter <CR> to return to Battery Test Setup Menu.

If 5 is selected and there are no tests scheduled, the following will be displayed:

No Battery Test Scheduled

Enter <CR> to return to Battery Test Setup Menu

NOTE: The unit will only perform one battery test in any 24 hour period.

Modify Low Battery Time

This menu allows you to modify the low battery time warning. When selected, the following menu will be displayed:

Modify Low Battery Time

Low Battery Time (Minutes): 004

Enter New Low Battery Time:

NOTE: *Low Battery Time should be no greater than 999. Enter <CR> to return with no change.*

Enter the new time desired to change the warning level.

Calibration Mode

Calibration mode is used by factory and field service personnel to calibrate system meters. Factory test engineers calibrate the UPS meters prior to shipping so the UPS arrives at your site correctly calibrated. After use, field service personnel may need to use Calibration mode to recalibrate one or more meter settings.

NOTE: *Calibration mode is for use by service personnel ONLY. To prevent inadvertent modification, this mode can be accessed only by trained personnel.*

Computer Mode

This mode provides a computer interface which gives your system compatibility with system monitoring and network products. For a list of products available, contact your sales representative.

Remote Monitor Mode

This mode provides the interface for the RMP, RIM, or SCM described earlier.

This Page Intentionally Left Blank.

14

Optional Remote Notification

NOTE: *The optional RS–232 serial communication port is required to use this feature.*

Remote Notification provides the user with the option of receiving alarms and notices at a remote location. Remote Notification also provides some basic controls that can be performed remotely on the UPS. Remote Notification operates through a standard computer modem. Using the Terminal mode, the user calls the UPS to perform basic monitoring and control. In the event of a UPS alarm or notice, the user is notified at the remote location. The UPS calls, through the modem, to the user's computer or pager and leaves a message.

Remote Notification is an extension of the Terminal mode with the additional support algorithms necessary to control an external modem (refer to Chapter 13, "Serial Communications"). Connection to the UPS is made when a user calls the UPS on the phone. The user has exactly the same capabilities as if using a terminal connected directly to the optional UPS RS–232 port. Remote Notification differs from the basic Terminal mode with the addition of Call Answer, Call Out, and Housekeeping functions. The Call Answer function allows the user to call into the UPS from a remote location and enter Terminal mode. The Call Out function allows the UPS to be configured to call either a remote computer or numeric paging service over the phone line. Call Out allows the UPS to call a remote computer and leave a one-line descriptive message of the alarm or notice condition. Numeric paging support allows the UPS to call a paging service and send numeric messages. The Housekeeping function maintains the link between the UPS and modem.

Remote Notification Features

Remote Notification provides the UPS with the capability to utilize a standard off-the-shelf PC modem as a telephone interface. The features provided by this option are as follows:

- Call out to a remote terminal or pager based on programmable events and alarms.
- Two separate, programmable notification groups (phone numbers).
- Programmable number of redial attempts.
- Programmable time delay between call out attempts.
- Automatic answering (user configurable) for access to the Terminal mode of the UPS.
- Remote and local ability to clear Call Out alarms and events.
- Error detection and correction for misconfigured and disconnected modems.
- Uses standard modems and cables available at your local computer supply center.

Description of Operation

The Remote Notification option performs three basic functions: Call Answer into Terminal mode, Call Out to a remote terminal, and Housekeeping. Remote Notification also allows access to any functions available in the Terminal mode from a remote computer or terminal.

Call Answer

To use the Call Answer function, the modem is configured to automatically answer by having the user program the S0 register of the modem to a non-zero number. When the modem receives a call, the UPS is alerted to wait for a connect signal from the modem. When the modem answers and finishes handshaking, the UPS acknowledges the modem connect signal and allows the caller into the Terminal mode (refer to Chapter 13, "Serial Communications"). In this mode, the user can request four items and perform one command:

NOTE: *The brackets ([]) in the following steps indicate standard keyboard characters.*

- Display all screens (^ B, ^ M, ^ P). Press and hold [CTRL], then press [A].
- Display battery test results by pressing and holding [CTRL], then pressing [B].
- Display meters screen by pressing and holding [CTRL], then pressing [M].
- Display event history by pressing and holding [CTRL], then pressing [P].
- Reset Call Out Alarms by pressing and holding [CTRL], then pressing [R].

The Reset Call Out Alarms command causes the UPS to cease Call Out attempts on a currently active alarm and resets that alarm call. Refer to the "Call Out" section of this chapter for more information.

Call Out

The Call Out function contains programmable alarms and status events (refer to Chapter 12, "Responding to System Events"). The notification groups tell the UPS to notify a remote computer or pager for each selected event. Refer to the "Configuring the Modem" section of this chapter for information on the modem configuration. Refer to the "User-Selected Events" section of this chapter to note which events are designated as group one or two. These events are selected when the UPS is purchased. The Call Out function activates as follows:

- A UPS alarm or notice occurs that is programmed to cause a Call Out.
- The UPS takes the modem off the hook and sends a command to the modem to call the notification groups (phone numbers) required. The command sent to the modem for group one is "ATDTS0" and "ATDTS1" for group two. This allows the user to program the phone numbers into the modem.

- The UPS logs a successful notify to the event log when the remote computer or modem answers and leaves an event message with the following format.

nnn<space>mmm<LF><CR> where:

nnn = The telephone number of the UPS (20 characters maximum)
 <space> = ASCII space character (0x20)
 mmm = Event message for notice or alarm (40 characters maximum)
 <LF> = ASCII line feed character (0x0A)
 <CR> = ASCII carriage return character (0x0D)

If calling a pager service and the service answers, the UPS delays momentarily and then dials the pager number. Refer to the “Configuring the Modem to Call a Numeric Pager” section of this chapter for more information on configuring a modem to dial a pager.

NOTE: *Because the pager service is not a modem, the UPS does not know if its message got through; therefore, the UPS continues to call the pager service for a programmed number of times or until a call-in reset is performed. An unsuccessful notify event is logged into the UPS event log for each attempted call out.*

If the phone number that the UPS is calling does not answer, the UPS delays for a time period (programmable from 1 to 60 minutes) and then reattempts the call. If answered, the UPS ceases further attempts to call. Each call group can be programmed for a separate number of attempts to call and delay between calls. Each unsuccessful attempt to call causes an unsuccessful notify event to be logged into the UPS event log.

If both call groups are active, the UPS alternates between calling the groups. The Call Out process can be terminated at any time by calling into the UPS and sending the reset command (press and hold [CTRL] and press [R]) or by turning the key switch on the front of the UPS.

Housekeeping

When the modem is idle, the UPS “pings” (tests for connection) the modem by sending an “AT” to the modem at five-minute intervals. If the modem does not respond correctly, by sending either “OK” or “O” to the UPS, the UPS attempts to re-initialize the modem. After a successful re-initialization, the UPS returns to the Housekeeping function. If the re-initialization is unsuccessful, two more attempts to re-initialize the modem are made before the UPS disables all Call Out attempts. Re-initialization is then attempted every ten minutes or until the communications mode is changed by the UPS front panel controls (or the modem re-initializes). For each unsuccessful attempt, the UPS logs a modem failure event into the event log. When the modem link is confirmed, the UPS communications resume normal operation and Call Out is enabled.

Hardware Requirements

The following hardware components are required to connect the Remote Notification function.

- Modem: Basic external PC modem supporting the following AT commands.
 - E0 – Do not echo characters in command state.
 - M0 – Turn speaker off.
 - N0 – Handshake only at speed specified by S37.
 - Q0 – Return result codes in both originate and answer mode.
 - V0 – Display result codes as numbers.
 - X0 – Provide basic result codes: CONNECT, NO CARRIER, and RING.
 - &A0 – Connect as answering modem when auto-answering.
 - &D0 – Ignore status of DTR signal.
 - &K0 – Disable local flow control.
 - &Q5 – Communicate in error control mode.

NOTE: Consult the modem manufacturer's manual to confirm that the above commands are supported by your modem.

- Standard serial cable with a male DB25 connector on both ends.
- DB25 null modem adapter.

All the above items can be acquired at your local computer products supply store.

An alternative to purchasing a cable is to build your own serial cable using the following pin out description:

Male DB25	Male DB25
pin 7	pin 7
pin 2	pin 2
pin 3	pin 2

Configuring the Modem

The modem must be configured by the user before connecting to the UPS. In addition, the modem must be programmed with the Call Out telephone numbers in order to operate the Remote Notification option.

To configure the modem, connect the serial port of a standard PC computer to the modem through the serial cable. Run a terminal emulation program on the computer. Test the connection to the modem by typing [A], [T] and [ENTER]. The modem should respond with either "OK" or "0" (zero). If the modem does not respond, consult the modem manufacturer's manual to confirm your setup. If the modem still does not respond, then seek technical assistance from your modem manufacturer.

After connection, perform "Basic Modem Configuration" and the remaining sections of this chapter.

Basic Modem Configuration

The modem should be a plug and play type. All setup is configured by the UPS. Only the initial phone number needs to be entered by the user.

Configuring the Modem to Call a Remote Computer

To configure the modem to call a remote computer, perform the following procedure:

NOTE: Perform this procedure only after completing “Basic Modem Configuration” section of this chapter.

The brackets ([]) in the following steps indicate characters that require keying in prior to pressing [ENTER].

1. Connect the modem to the PC through the serial port as described in the modem manufacturer’s manual .
2. Key in [A], [T], then press [ENTER].
3. Confirm that the modem responds with “OK” or “0” (zero).

NOTE: In steps 4 and 5, the “xxxxxx” is the phone number of a remote computer. The phone number should include all local line and long distance access numbers needed to dial out. This number is limited to 32 characters. Placing a “T” at the beginning of the number informs the modem to use tone dialing. For example, use “9” if needed for an outside line, “1” for long distance + (Area Code) + Number or whatever access codes are needed to dial the call directly. Add a “,” in the number anywhere that a delay is needed. This will cause a one-second delay. More than one delay may be added to the number; for example, enter “AT&Z0=T,9,,1 (Area Code) (Phone Number)”.

4. To program a group one number, key in [A], [T], [&], [Z], [0] (zero), [=], [T], [,], [xxxxxxx], then press [ENTER].
5. To program a group two number, key in [A], [T], [&], [Z], [1], [=], [T], [,], [xxxxxxx], then press [ENTER].
6. Confirm that the modem responds with “OK” or “0” (zero).
7. Key in [A], [T], [&], [W], [0] (zero), then press [ENTER].
8. Confirm that the modem responds with “OK” or “0” (zero).
9. Connect a telephone line to the modem and test the modem by keying in [A], [T], [D], [S], [0] (zero), then pressing [ENTER].
10. The modem dials the telephone number stored in step 4 or 5. (The number is displayed on the terminal screen as it is dialed.) Repeat steps 4 (or 5) through 9 as necessary to modify the telephone number.
11. Confirm that the modem responds with “1” (one) when the connection is made.

NOTE: To set up a group one or group two pager number, refer to “Configuring the Modem to Call a Numeric Pager” section of this chapter.

Configuring the Modem to Call a Numeric Pager

To configure the modem to call a numeric pager system, perform the following procedure.

NOTE: Perform this procedure only after completing “Basic Modem Configuration” section of this chapter.

The brackets ([]) in the following steps indicate characters that require keying in prior to pressing [ENTER].

1. Connect the modem to the PC through the serial port as described in the modem manufacturer’s manual .
2. Key in [A], [T], then press [ENTER].
3. Confirm that the modem responds with “OK” or “0” (zero).

NOTE: In steps 4 and 5 the “xxxxxxx” is the pager system number and “yyyyyyy” is the numeric message (usually a phone number). The three “[,]” provide a delay while the pager system computer answers. The “xxxxxxx” entry should include all local line and long distance access numbers needed to dial out, as well as the pause necessary between dialing the pager service and sending the pager the numeric message. This number is limited to 32 characters. Placing a “T” at the beginning of the number informs the modem to use tone dialing. For example, use “9” if needed for an outside line, “1” for long distance + (Area Code) + Number or whatever access codes are needed to dial the call directly. Add a “,” in the number anywhere that a delay is needed. This causes a one-second delay. More than one delay may be added to the number; for example, enter “AT&Z0=T,9,,1 (Area Code) (Phone Number) (Pauses) (Numeric Message)”. For areas with pulse dialing, the “T” should be inserted before the numeric message to switch to tone dialing. The numeric message can only be delivered using tone dialing. Keying in the “#” (pound) character at the end of the numeric message is very important. It prevents the pager service from picking up on the modem hang-up commands and sending additional characters.

4. To program a group one number, key in [A], [T], [&], [Z], [0] (zero), [=], [T], [,], [xxxxxxx], [,], [,], [,], [yyyyyyy], [#], then press [ENTER].
5. To program a group two number, key in [A], [T], [&], [Z], [1], [=], [T], [,], [xxxxxxx], [,], [,], [,], [yyyyyyy], [#], then press [ENTER].
6. Confirm that the modem responds with “OK” or “0” (zero).
7. Key in [A], [T], [&], [W], [0] (zero), then press [ENTER].
8. Confirm that the modem responds with “OK” or “0” (zero).
9. Connect a telephone line to the modem and test the modem by keying in [A], [T], [D], [S], [0] (zero), then pressing [ENTER].
10. The modem dials the telephone number stored in step 4 or step 5. (The number is displayed on the terminal screen as it is dialed.) Confirm that the pager receives the message. Repeat steps 4 (or 5) through 9 as required to modify the telephone number and message.

NOTE: To set up a group one or group two number to call a computer, refer to “Configuring the Modem to Call a Remote Computer” section of this chapter.

Configuring the Modem to Answer Incoming Calls

To configure the modem to answer incoming calls, perform the following procedure.

NOTE: *Calling into the UPS does not present any type of security risk. There are no commands that can be executed via the call-in feature except those available to the Terminal mode.*

1. Connect the modem to the PC through the serial port as described in the modem manufacturer's manual .

NOTE: *The brackets ([]) in the following steps indicate characters that require keying in prior to pressing [ENTER].*

2. Key in [A], [T], then press [ENTER].
3. Confirm that the modem responds with "OK" or "0" (zero).
4. Key in [A], [T], [S], [0] (zero), [=], [2], then press [ENTER].
5. Confirm that the modem responds with "OK" or "0" (zero).
6. Key in [A], [T], [S], [0] (zero), [?], then press [ENTER].
7. Confirm that the modem responds with "OK" or "0" (zero) and a value of "002".
8. Connect a telephone line to the modem. Test the modem by using another PC equipped with a modem to dial the first modem.
9. Confirm that the UPS modem responds with "2" when the phone is ringing, and a "1" after the UPS modem has answered and the carrier has been detected.
10. Key in [A], [T], [&], [W], [0] (zero), then press [ENTER].
11. Confirm that the modem responds with "OK" or "0" (zero).

Final Modem Configuration

The final step in configuring the PC modem for use with the UPS is to turn off the echo feature of the modem. This procedure is performed automatically by the UPS.

UPS Setup Configuration

Connect the modem to the UPS by connecting one end of the serial cable to the optional UPS Port 2 DB–25F connector and the other to the modem (refer to Chapter 13, “Serial Communications”). If using a standard serial cable, a null modem adapter is required for the connection to the modem.

The Powerware BP III HE UPS can only use optional serial Port 2, DB–25F, for the Remote Notification option. This connection is located in the serial communications panel at the base of the UPS cabinet, behind the front door.

The modem operates at only one baud rate because there is no handshaking between the modem and the UPS. Select the lowest common baud rate (less than or equal to 2400 baud) compatible with the capability of the UPS interface equipment. For example, if the computer only has a 2400 baud modem, then the UPS should be set for 2400 baud. Remember, the remote computer modem can always slow down to the UPS baud rate, e.g., a 14400 baud modem can run at 2400 baud, but a 2400 baud modem cannot run at 14400 baud.

Following the instructions in Chapter 9, “Using the Monitor Panel” and Chapter 13, “Serial Communications”, use the LCD screen and pushbuttons on the Monitor Panel to access the setup screen and configure Port 2 as follows.

NOTE: *The modem should be connected to the UPS as described in the modem manufacturer’s manual before configuring the UPS communications port.*

<MODE>	Remote Notify
<RATE>	The baud rate at which the modem will communicate to other modems, 2400 baud maximum.
<DATA/STOP>	8 1 Standard 8 data bits, 1 stop bit, no parity.
<HANDSHAKING>	Disabled
<SAVE>	Yes. To save new configuration.

The handshaking feature listed is for UPS-to-terminal handshaking, not UPS-to-modem handshaking. Setting the handshaking to “modem” has no effect. If the remote terminal has buffering problems because of excessive data transfer rate from the UPS, XON/XOFF handshaking can be selected to resolve this issue. The user must make sure that the modem (not the remote terminal) at the remote terminal end of the connection is configured for either hardware handshaking or none at all. This is required so that the modem does not attempt to trap the XON/XOFF characters and prevent them from being transmitted to the UPS.

User-Selected Events

Insert a check at each alarm or notice in the appropriate Group 1 or Group 2 block to indicate the configuration of your UPS.

INVERTER MESSAGES – ALARMS	Group 1	Group 2	INVERTER MESSAGES – NOTICES	Group 1	Group 2
Inverter AC Over Voltage			Inv. Logic Power Failed		
Inverter AC Under Voltage			Bypass AC Over Voltage		
Inverter Calibration Required			Bypass AC Under Voltage		
Inverter Contactor (K3) Failed			Bypass is Not Available		
Inverter DC Over Voltage			Bypass Mode		
Inverter Failure			Bypass Over Frequency		
Inverter Over Frequency			Bypass Under Frequency		
Inverter Phase Rotation			Input Breaker (CB1) Open		
Inverter Setup Required			Battery Contactor (K2) Open		
Inverter Under Frequency			Battery DC Under Voltage		
100% Overload Shutdown			Battery Discharged		
125% Overload Shutdown			Battery Not Charged		
Over Temperature Shutdown			Battery Voltage Low		
Shutdown Imminent			Phase A Current Limit		
Load Off			Phase B Current Limit		
Bypass Contactor (K4) Failed			Phase C Current Limit		
Bypass Control Failed					
Bypass Phase Rotation					
Go To Bypass Active					
Battery Contactor (K2) Failed					
Battery Ground Fault					

RECTIFIER MESSAGES – ALARMS	Group 1	Group 2	RECTIFIER MESSAGES – NOTICES	Group 1	Group 2
Input Phase Rotation			Battery Test Failed		
Over Temperature			DC Voltage High		
Over Temperature Warning			DC Voltage Low		
Rectifier Calibration Required			Equalizing Battery		
Rectifier DC Over Voltage			Input AC Over Voltage		
Rectifier DC Under Voltage			Input AC Under Voltage		
Rectifier Failure			Input Over Frequency		
Rectifier Setup Required			Input Transient		
Temperature Sensor Failure			Input Under Frequency		
			Input/Battery Current Limit		
			Logic Power Failed		
			Power Supply Over Voltage		
			Power Supply Under Voltage		
			Rectifier 1.12		
			Reduced Input Current Limit		
			Testing Battery		

MONITOR MESSAGES – ALARMS	Group 1	Group 2	MONITOR MESSAGES – NOTICES	Group 1	Group 2
Battery Test Failed			Battery Passed Test		
Battery Test Failed			Battery Test Aborted (load)		
Fan Failure			Battery Test Aborted (utility)		
Load Over 100%			Battery Test Requires Calibration		
Load Over 125%			Battery Time Low		
Monitor Calibration Required			Building Alarm 1 Active		
Monitor Setup Required			Building Alarm 2 Active		
Overload Warning			Building Alarm 3 Active		
Power Supply Failure			Building Alarm 4 Active		
			Building Alarm 5 Active		
			Building Alarm 6 Active		
			Inverter Network Down		
			Monitor Logic Pwr Fail		
			Monitor Network Down		
			No Active Events		
			Output AC Over Voltage		
			Output AC Under Voltage		
			Output Over Frequency		
			Output Under Frequency		
			Power Off Switch		
			Rectifier Network Down		
			Testing Battery		
			Three Wire AC Over Voltage		
			Three Wire AC Under Voltage		
			Three Wire Over Freq.		
			Three Wire Under Freq.		

This Page Intentionally Left Blank.

15

Maintaining the UPS System

The components inside the UPS cabinet are secured to a sturdy metal frame that is supported by the UPS magnetics. This design allows authorized service personnel to remove repairable components with very little disassembly. All repairable parts and assemblies are located in the front of the UPS, allowing all routine maintenance and servicing to be performed with front panel access.

You must schedule periodic performance checks of your UPS to keep it running properly. Regular routine checks of operation and system parameters will enable your UPS system to function efficiently for many trouble-free years.

Important Safety Instructions

Remember that your UPS is designed to supply power **EVEN WHEN DISCONNECTED FROM THE UTILITY POWER**. The UPS interior is unsafe until the DC power source is disconnected and the electrolytic capacitors are discharged. After disconnecting the utility power and the DC power, authorized service personnel should wait at least 5 minutes before attempting internal access to the UPS system.

WARNING:
LETHAL VOLTAGE PRESENT. This unit should not be operated with the cabinet doors open or protective panels removed. Do not make any assumptions about the electrical state of any cabinet in the UPS system.

WARNING:
Battery maintenance or battery replacement should be performed by authorized service personnel only. Keep unauthorized personnel away from battery room.



Performing Preventive Maintenance

The UPS requires very little preventive maintenance. However, the UPS should be inspected periodically to verify that the unit is operating normally.

Perform the following checks DAILY:

- Check the area surrounding the UPS and environmental cabinet. Ensure the area is not cluttered, allowing free access to the unit.
- Ensure the air intakes (filters on right side of Environmental Cabinet) and exhaust openings (on top of the UPS cabinet) are not blocked.
- Ensure there is at least six inches of clearance behind the unit for proper air circulation.
- Ensure the operating environment is within the parameters specified in the *Product Specifications* section of Chapter 16.
- Ensure the UPS is in Normal mode (Normal status indicator is lit). If an alarm lamp is lit or the Normal status indicator is not lit, contact Customer Support.

Perform the following checks MONTHLY:

- Ensure all status indicator lamps are operative. (Press the  and  pushbuttons simultaneously to test the lamps.)
- Monitor system parameters as described in Chapter 9, "Using the Monitor Panel".
- Record the results of your checks and any corrective actions in a suitable log.

ANNUAL maintenance:

Annual preventive maintenance should be performed only by authorized service personnel familiar with maintenance and servicing of the UPS system. Contact your nearest field service office for more information about service offerings.

FILTER maintenance:

Pleated disposable filters, installed inside of three filter assemblies located on the right side of the Environmental cabinet, eliminate particles from the air which is used to cool the UPS system. Filters should be checked or replaced at least every thirty days in a clean environment, and at least every seven days in a dirty environment. The replaceable filter size is 20 inches x 20 inches x 1 inch with an ASHRAE rating of 52.2. An AmAir 62 Plus meet these requirements. To remove filters:

1. Loosen captive screw at left side of filter grill.
2. Open grill.
3. Remove and replace filter.
4. Close filter grill and secure with captive screw.

Maintenance Training

A basic training course, available from Powerware, gives you a competent working knowledge of UPS operation and teaches you how to perform first level corrective maintenance. For more information about training and other services, contact the Powerware Training Coordinator in Raleigh, North Carolina, or call Powerware field service at **1-800-843-9433**.

This Page Intentionally Left Blank.

16

Product Specifications

The following sections detail the input, output and environmental specifications for the UPS system.

System	Models	Notes
Powerware BPIII HE 50	50 kVA, 40kW	50 Hz/60 Hz models
Powerware BPIII HE 62.5	62.5 kVA, 50kW	50 Hz/60 Hz models
Powerware BPIII HE 75	75 kVA, 60kW	60 Hz models

System Input

Operating Input Voltage	208 VAC for operation from 177 VAC to 229 VAC (60 Hz only) 400 VAC for operation from 340 VAC to 440 VAC (50 Hz only) 480 VAC for operation from 408 VAC to 528 VAC (60 Hz only) 600 VAC for operation from 510 VAC to 660 VAC (60 Hz only)
Operating Input Frequency Range	± 3 Hz of nominal (60 Hz)
Operating Input Current	<u>Battery Charge:</u> 125% of full load for overload + battery charge Actual load + 25% of full load for battery charge <u>Reduced for Generator:</u> Adjustable, set to 102%
Input Current Harmonic Content	10% maximum over zero to full load based on 10% THD at full load (with input filter option installed)
Power Walk-In	Typically 15–20 second rectifier ramp-up to full utility load
Power Factor	Minimum 0.9
Line Surges	6 kV OC, 3 kA SC per ANSI 62.41 and IEC 801–4

System Output

Rectifier/Charger Capacity	135% + 6 Kw
DC Filtering	Ripple voltage less than 0.5% peak to peak
UPS Output Capacity	100% current at 0.8 power factor
Output Voltage Regulation	1% (10% to 100% load)
Output Voltage Adjustment	480 VAC nominal, adjustable from 452 VAC to 508 VAC (60 Hz only)
Output Voltage Harmonic Content	2% max THD, 2% max single (for linear load)
Output Voltage Balance	2% for 100% maximum load imbalance
Output Voltage Phase Displacement	2° for 100% maximum load imbalance
Output Transients	± 5% for 100% load step or removal
Frequency Regulation	± 0.005 Hz free running
Synchronous to Bypass	Bypass within voltage limits of +5%, -8% of output setting; bypass within ± 0.5 Hz
Frequency Slew Rate	1 Hz per second maximum
Overload Capability	Up to 125% for 15 minutes Above 125% for 30 seconds 1000% for 10 cycles with bypass
Maximum Output Capability	300% peak for 10 cycles without bypass

Environmental Specifications

Operating Temperature	0 to 50 °C without derating. However, operating at or near 50 °C will adversely affect battery life (refer to your battery specifications for more information). The recommended operating temperature is 25 °C.
Operating Altitude	Maximum 1500m (5000 ft) at 50 °C without derating
Storage Temperature	–20 to +70 °C (prolonged storage above 40 °C will cause rapid battery self-discharge)
Relative Humidity (operating and storage)	95% maximum noncondensing
Acoustical Noise	75 dBA at a 1m distance
EMI Supression	Meets FCC Part 15 for class A devices
Electrostatic Discharge (ESD) Immunity	Meets IEC 801 –2 specifications. Withstands up to 25 kV without damage and with no disturbance or adverse effect to the critical load.

Battery Specifications

These specifications are for batteries supplied by the customer. Refer to Battery Data section for more information.

Nominal Battery String Voltage	120 VDC (60 cells)
Float Charging	2.25 VDC per cell (135 VDC based on 60 cells)
Initialize Charge	150 VDC, when inverter DC link set to 572 VAC
Battery Charge Current Limit	Limited to 35% of full plus 6 Kw, regardless of actual load on inverter

This Page Intentionally Left Blank.

Appendix A – Customer Information

The information in this appendix will help you plan for and install your UPS system. This appendix contains the following drawings:

- 164201261–1 Installation Notes
- 164201261–2 Typical UPS System
- 164201261–3 Oneline Drawings of UPS System
- 164201261–4 Location of UPS Power Terminals
- 164201261–5 UPS Cabinet
- 164201261–6 Remote Emergency Power Off
- 164201261–7 Remote Monitor Panel
- 164201261–8 Relay Interface Module
- 164201261–9 Supervisory Contact Module

**Table A. INPUT Ratings & External Wiring Requirements for
Powerware BPIII HE 50–75 kVA (208, 480, and 600 Volt)**

Ratings		Units	Rating 60 Hz								
Basic unit rating at 0.8 lagging PF load		KVA	50			62.5			75		
		KW	40			50			60		
		INPUT VOLTAGE	208	480	600	208	480	600	208	480	600
A C I N P U T	AC Input to UPS Rectifier <i>Full Load</i> <i>Full Load + Batt. Chg.(max)</i> (.95min.PF) 3 ∅, (1) gnd	Amps (Nom)	180	60	50	220	90	70	260	110	80
		Amps (Max)	230	100	80	275	120	96	320	140	115
		Minimum conductor size (number per ∅) A	AWG or kcmil(ea)	3/0 (2)	1/0 (1)	2 (1)	3/0 (2)	2/0 (1)	1 (1)	4/0 (2)	3/0 (1)
A C I N P U T	AC Input to Bypass <i>Full Load Current</i> 3 ∅, (1) gnd	INPUT VOLTAGE	208	480	208	208	480	208	208	480	208
		Amps (Nom)	139	60	139	173	75	173	208	90	208
		Minimum conductor size (number per ∅) B	AWG or kcmil(ea)	3/0 (1)	4 (1)	3/0 (1)	350 (1)	2 (1)	350 (1)	350 (1)	1 (1)
D C I N P U T	DC Input from Battery to UPS <i>(1) positive, (1) negative</i>	VDC	120	120	120	120	120	120	120	120	120
		Float VDC	135	135	135	135	135	135	135	135	135
		Amps (2.0V/cell)	360	360	360	455	455	455	545	545	545
	Minimum conductor size (number per pole) C	AWG or kcmil(ea)	3/0 (3)	3/0 (3)	3/0 (3)	250 (3)	250 (3)	250 (3)	350 (3)	350 (3)	350 (3)

Read and understand the following notes while planning your installation:

1. Refer to national and local electrical codes for acceptable external wiring practices.
2. Material and labor for external wiring requirements are to be provided by designated personnel.
3. For external wiring requirements, including the minimum AWG size of external wiring, see the appropriate column in Tables A through C. The power wiring for this equipment is rated at 90°C.
4. Critical load power to be run in separate conduits, busways, or cabletrays and sufficiently separated from source power.
5. System to be grounded to single point local or utility ground.
6. A–B–C phase rotation required.

NOTE: Callout letter **A**, **B**, **C**, and **D**
map to drawing #164201261–3

DESCRIPTION:	INSTALLATION NOTES	
DRAWING NO:	164201261–1	SHEET: 1 of 11
REVISION:	F	DATE: 111503

**Table B. OUTPUT Ratings & External Wiring Requirements for
Powerware BPIII HE 50–75 kVA (208 and 480 Volt)**

Ratings		Units	Rating 60 Hz					
Basic unit rating at 0.8 lagging PF load		KVA	50		62.5		75	
		KW	40		50		60	
		OUTPUT VOLTAGE	208	480	208	480	208	480
A C O U T P U T	AC Output to Critical Load <i>Full Load Current³</i> <i>∅, (1) Neutral, (1) gnd</i>	Amps (Nom)	139	60	175	75	208	90
	<i>Minimum conductor size</i> <i>(number per ∅)</i>	D AWG or kcmil(ea)	3/0 (1)	4 (1)	350 (1)	2 (1)	350 (1)	1 (1)

7. The output of the UPS is a separately derived source. Output neutral is bonded to equipment ground through the main bonding jumper. Refer to NEC Article 250 and local codes for proper grounding practices.
8. External overcurrent protection is not provided by this product, but is required by codes. Refer to Table A through C for wiring requirements. If external overcurrent protection or an output lockable disconnect is required, it is to be supplied by designated personnel.
9. Non-linear loads can create neutral currents that are greater than 100%. This product can accommodate double-sized neutral terminations if needed.

NOTE: Callout letter **A**, **B**, **C**, and **D**
map to drawing #164201261–3

DESCRIPTION:	INSTALLATION NOTES	
DRAWING NO:	164201261–1	SHEET: 2 of 11
REVISION:	F	DATE: 111503

**Table C. INPUT/OUTPUT Ratings & External Wiring Requirements for
Powerware BPIII HE 50 and 62.5 kVA (400 Volt)**

		<i>Ratings</i>	<i>Units</i>	<i>Rating 50 Hz</i>	
Basic unit rating at 0.8 lagging PF load			KVA KW	50 40	62.5 50
			INPUT/OUTPUT VOLTAGE	400	400
A C I N P U T	AC Input to UPS Rectifier <i>Full Load + Batt. Chg. (.95min.PF) 3 \emptyset, (1) gnd</i>		Amps (max)	120	140
		A	Minimum conductor size (number per \emptyset)	AWG or kcmil(ea)	2/0 (1)
	AC Input to Bypass <i>Full Load Current 3 \emptyset, (1) gnd</i>		Amps (Nom)	72	90
		B	Minimum conductor size (number per \emptyset)	AWG or kcmil(ea)	3 (1)
D C I N P U T	DC Input from Battery to UPS <i>(1) positive, (1) negative</i>		VDC Float VDC Amps (2.0V/cell)	120 135 360	120 135 455
		C	Minimum conductor size (number per pole)	AWG or kcmil(ea)	3/0 (3)
A C O U T P U T	AC Output to Critical Load <i>Full Load Current³ 3 \emptyset, (1) Neutral, (1) gnd</i>		Amps (Nom)	72	90
		D	Minimum conductor size (number per \emptyset)	AWG or kcmil(ea)	3 (1)

NOTE: Callout letter **A**, **B**, **C**, and **D**
map to drawing #164201261-3

<i>DESCRIPTION:</i> INSTALLATION NOTES	
<i>DRAWING NO:</i> 164201261-1	<i>SHEET:</i> 3 of 11
<i>REVISION:</i> F	<i>DATE:</i> 115103

10. Refer to Table D for internal power cable terminations and Table E for external power cable terminations. Drawing 164201014-4 shows the location of these power cable terminals inside the UPS cabinets. Terminals E9 through E15, and E19 through E35 are UL and CSA rated at 90°C. A hex key tool is required to attach wires to terminals.

Table D. Internal Power Cable Terminations

<i>Terminal Function</i>	<i>Terminal</i>	<i>Cable Number</i>	<i>Function</i>	<i>Size of Termination</i>	<i>Tightening Torque N-M (lb-in)</i>	<i>Bolt or Hex Size (In.)</i>
AC Input to UPS Rectifier from Environmental Cabinet	E1	250	Phase 'A'	1 – 1 bolt mounting	9.0 (78)	1/4 bolt
	E2	251	Phase 'B'	1 – 1 bolt mounting	9.0 (78)	1/4 bolt
	E3	252	Phase 'C'	1 – 1 bolt mounting	9.0 (78)	1/4 bolt
AC Input to Bypass Transformer from Environmental Cabinet	E13	227	Phase 'A'	1 – #4–500 kcmil	42.4 (375)	3/8
	E14	228	Phase 'B'	1 – #4–500 kcmil	42.4 (375)	3/8
	E15	229	Phase 'C'	1 – #4–500 kcmil	42.4 (375)	3/8
AC Output to Environmental Cabinet	E9	237	Phase 'A'	1 – #6–350 kcmil	31.1 (275)	3/8
	E10	238	Phase 'B'	1 – #6–350 kcmil	31.1 (275)	3/8
	E11	239	Phase 'C'	1 – #6–350 kcmil	31.1 (275)	3/8
	E12	600	Neutral/ Gnd.	2 – #4–500 kcmil	31.1 (275)	3/8
DC Input from Environmental Cabinet	E4	205	Battery (+)	1 – 1 bolt mounting	32 (277)	3/8 bolt
	E5	206	Battery (–)	1 – 1 bolt mounting	32 (277)	3/8 bolt

<i>DESCRIPTION:</i> INSTALLATION NOTES	
<i>DRAWING NO:</i> 164201261-1	<i>SHEET:</i> 4 of 11
<i>REVISION:</i> B	<i>DATE:</i> 011500

Table E. External Power Cable Terminations

<i>Terminal Function</i>	<i>Voltage</i>	<i>Terminal</i>	<i>Function</i>	<i>Size of Pressure Termination</i>	<i>Tightening Torque N-M (lb-in)</i>	<i>Int Hex Size (In.)</i>
AC Input to UPS (CB1)	208	E33	Phase 'A'	2 – 3/0–250 kcmil	42.4 (375)	3/8
		E34	Phase 'B'	2 – 3/0–250 kcmil	42.4 (375)	3/8
		E35	Phase 'C'	2 – 3/0–250 kcmil	42.4 (375)	3/8
	480 600	E33	Phase 'A'	1 – #4–300 kcmil	42.4 (375)	3/8
		E34	Phase 'B'	1 – #4–300 kcmil	42.4 (375)	3/8
		E35	Phase 'C'	1 – #4–300 kcmil	42.4 (375)	3/8
AC Input to Bypass	208 480 600	E19	Phase 'A'	1 – #4–300 kcmil	42.4 (375)	3/8
		E20	Phase 'B'	1 – #4–300 kcmil	42.4 (375)	3/8
		E21	Phase 'C'	1 – #4–300 kcmil	42.4 (375)	3/8
AC Output to Critical Load	208 480 600	E25	Phase 'A'	1 – #4–300 kcmil	42.4 (375)	3/8
		E26	Phase 'B'	1 – #4–300 kcmil	42.4 (375)	3/8
		E27	Phase 'C'	1 – #4–300 kcmil	42.4 (375)	3/8
		E12	Neutral/Gnd.	2 – #4–500 kcmil	31.1 (275)	3/8
DC Input from Battery	120	E31	Battery (+)	3 – 2/0–400 kcmil	42.4 (375)	3/8
		E32	Battery (-)	3 – 2/0–400 kcmil	42.4 (375)	3/8
Customer Ground	N/A	Ground	Ground	2 – #6–350 kcmil	31.1 (275)	3/8

11. The UPS and the Environmental cabinets are normally crated separately for shipping and are bolted together on site.
12. Do not tilt cabinets more than $\pm 10^\circ$ during handling.
13. Dimensions are in millimeters (inches).
14. Table F lists the ventilation requirements for full load operation:

Table F. Air Conditioning or Ventilation Requirements During Full Load Operation	
<i>Ratings</i>	<i>Heat Rejection BTU/hr (Kg-cal/hr)</i>
50 – 75 KVA	23,000 (5796)

15. Recommended minimum clearance over the UPS module is 304.8 mm (12 in.). Required for cooling air exhaust: approximately 614.0 liters/sec (1300 cfm).

<i>DESCRIPTION:</i> INSTALLATION NOTES	
<i>DRAWING NO:</i> 164201261-1	<i>SHEET:</i> 5 of 11
<i>REVISION:</i> B	<i>DATE:</i> 011500

- 16. Battery voltage is computed at 2 volts per cell as defined by Article 480 of the NEC. Rated battery current is computed at 1.8 volts per cell.
- 17. The battery wiring used between the battery and the UPS should not allow a voltage drop of more than 1% of nominal DC voltage at rated battery current.
- 18. A battery disconnect switch is recommended, and may be required by NEC or local codes when batteries are remotely located. The battery disconnect switch may be supplied as an accessory, and should be installed between the battery and the UPS.
- 19. Table G lists the maximum rating for input circuit protective devices (circuit breakers).

Table G. Maximum Input Circuit Breaker Ratings				
Balanced Power System	Input Voltage Rating			
	208V	400V	480V	600V
Balanced Power 75	400	N/A	175	150
Balanced Power 62.5	350	175	150	125
Balanced Power 50	300	150	125	100

- 20. Source protection for AC input should be treated as if supplying a three phase transformer with a rating 1.4 times the UPS kVA rating, to allow for transformer magnetization inrush current.
- 21. The input breaker (CB1) has a trip rating of 150 amps AT for the 400, 480 and 600 volt input UPS and 320 amps AT for the 208 volt input UPS.
- 22. The bypass feed into this equipment utilizes either three or four wires. The rectifier feed into this equipment utilizes three wires. However, the phases must be symmetrical about ground (i.e., from a Wye source) for proper equipment operation. Failure to follow these instructions will void the product warranty.
- 23. The line-to-line unbalanced output capability of the UPS is limited by the full load per phase current values for AC output to critical load shown in Tables A through C. The recommended line-to-line load unbalance is 50% or less.
- 24. Table H lists the maximum rating for output circuit protection devices (circuit breakers).

Table H. Maximum Output Circuit Breaker Ratings			
Balanced Power System	Output Voltage Rating		
	208V	400V	480V
Balanced Power 75	300	N/A	125
Balanced Power 62.5	225	125	100
Balanced Power 50	175	90	80

<i>DESCRIPTION:</i> INSTALLATION NOTES	
<i>DRAWING NO:</i> 164201261-1	<i>SHEET:</i> 6 of 11
<i>REVISION:</i> E	<i>DATE:</i> 093001

25. Table I lists the maximum rating for DC input circuit protection devices (circuit breakers).

Table I. Maximum DC Input Circuit Breaker Ratings	
Balanced Power System	All Voltage Ratings
Balanced Power 75	700
Balanced Power 62.5	600
Balanced Power 50	450

26. Your UPS equipment's operating environment must meet the size and weight requirements shown in Table J, according to your UPS system configuration:

Table J. Equipment Weight and Point Loading		
<i>Component</i>	<i>Weight Kg (lb)</i>	<i>Point Loading Kg (lb)</i>
UPS and Environmental Cabinets	1878 (4140)	8 at 235 (518)

27. The basic environmental requirements for operation of the UPS system are:

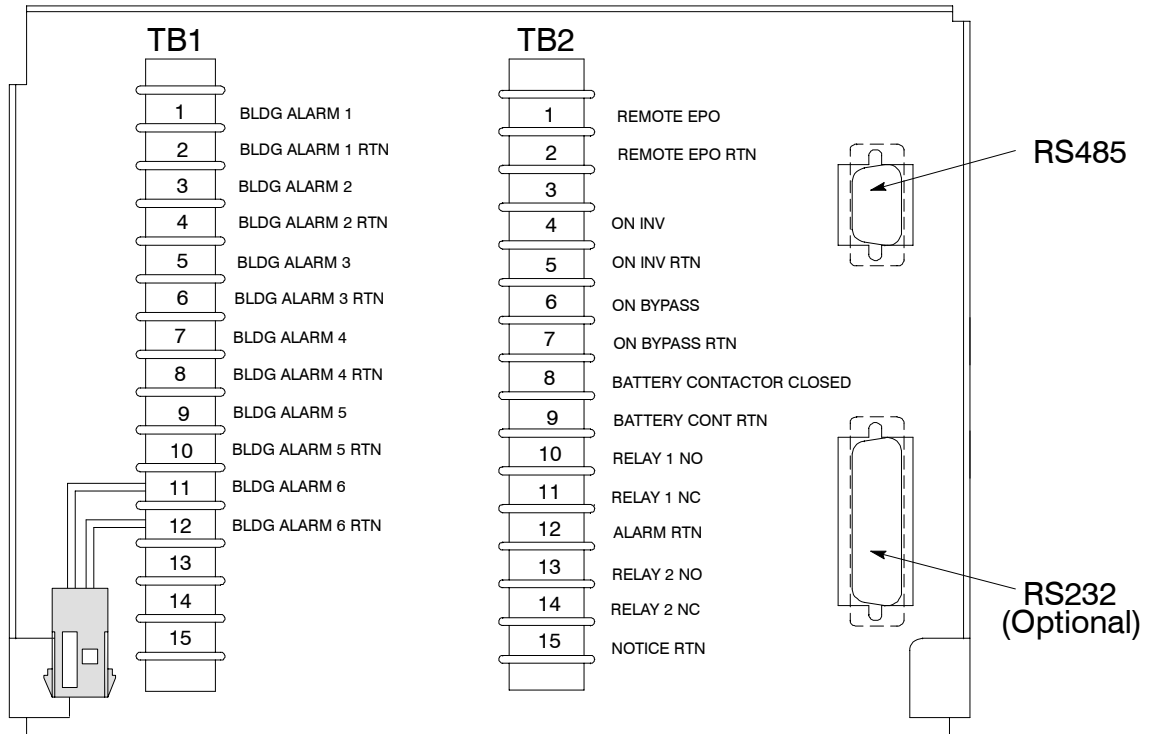
Ambient Temperature Range: 0–50° C (32–122° F)

Recommended Operating Range: 20–25° C (68–77° F)

Maximum Relative Humidity: 95%

<i>DESCRIPTION:</i>	INSTALLATION NOTES	
<i>DRAWING NO:</i>	164201261–1	<i>SHEET:</i> 7 of 11
<i>REVISION:</i>	B	<i>DATE:</i> 011500

Communications Panel



NOTE: Not all building alarms are available for customer use. For remote EPO, use an isolated normally open contactor switch (24VDC, 20ma minimum) connected at TB2-1 and TB2-2.

<i>DESCRIPTION:</i> INSTALLATION NOTES	
<i>DRAWING NO:</i> 164201261-1	<i>SHEET:</i> 8 of 11
<i>REVISION:</i> E	<i>DATE:</i> 093001

Table K. Communications Panel Inputs and Outputs		
TB2 Pin #	Name	Description
1	REMOTE EPO	Contacts used to activate remote EPO of UPS.
2	REMOTE EPO RTN	
3		
4	ON INV	Contacts used to indicate On Inverter status of UPS.
5	ON INV RTN	
6	ON BYPASS	Contacts used to indicate On Bypass status of UPS.
7	ON BYPASS RTN	
8	BATTERY CONTACTOR CLOSED	Contacts used to indicate UPS Battery Contactor is closed.
9	BATTERY CONT RTN	
10	RELAY 1 NO	General purpose NO and NC relay contacts.
11	RELAY 1 NC	
12	ALARM RTN	
13	RELAY 2 NO	General purpose NO and NC relay contacts.
14	RELAY 2 NC	
15	NOTICE RTN	

<i>DESCRIPTION:</i> INSTALLATION NOTES	
<i>DRAWING NO:</i> 164201261-1	<i>SHEET:</i> 9 of 11
<i>REVISION:</i> A	<i>DATE:</i> 053099

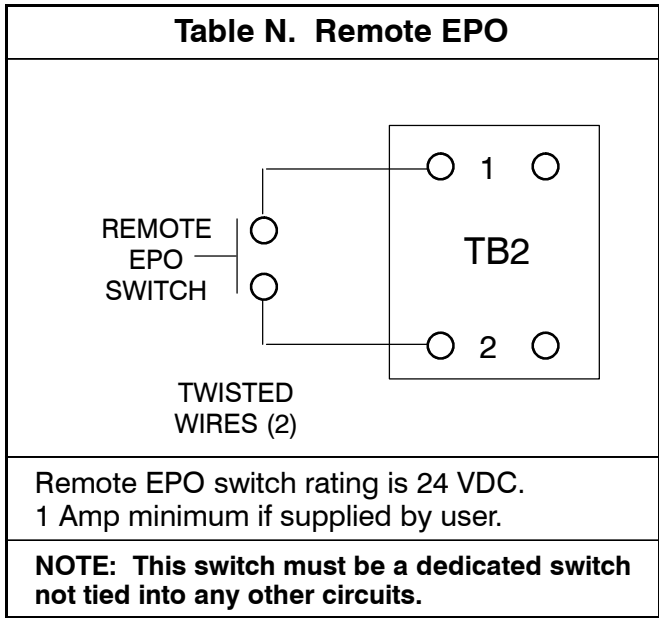
- 28.** Use Class 1 wiring methods (as defined by the NEC) for control wiring. Install the control wiring in separate ferrous conduit from the power wiring. The wire should be rated at 24 volts, 1 amp minimum. Control wiring and conduit to be supplied by designated personnel.
- 29.** Refer to Tables L, M, and N, and to applicable chapters for information about installing control wiring for options and accessories.

Table L. Control Wiring Terminations		
<i>Terminal</i>	<i>Description</i>	<i>Terminal Function</i>
TB1	Terminal Block	Not available to customer
TB1	Terminal Block	Remote EPO
TB2		"On Inverter" Monitoring
TB2		"On Bypass" Monitoring
		Summary Alarm & Notice Contacts

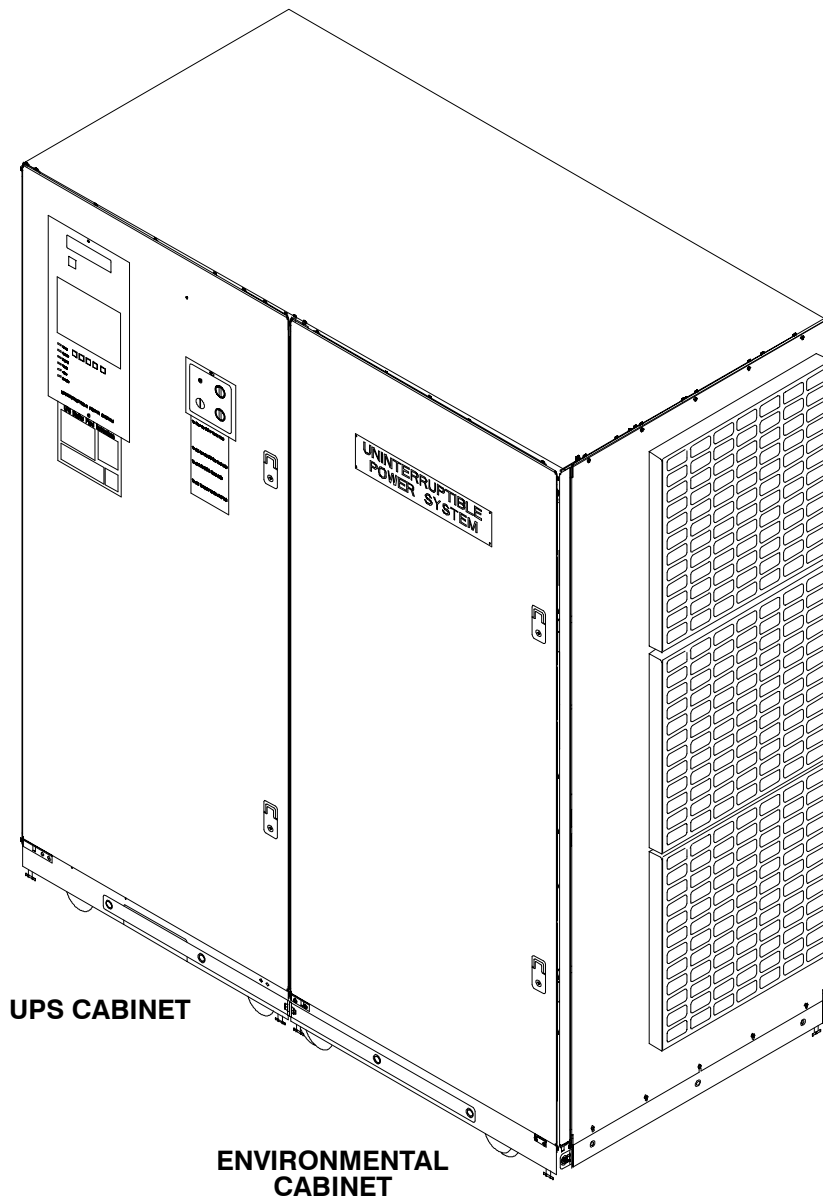
Table M. Summary Alarm Relay Contacts		
CONTACT RATING:		
Maximum Switched Voltage	32 VAC	42 VDC
Maximum Carrying Current	1A	

<i>DESCRIPTION:</i> INSTALLATION NOTES	
<i>DRAWING NO:</i> 164201261-1	<i>SHEET:</i> 10 of 11
<i>REVISION:</i> A	<i>DATE:</i> 053099

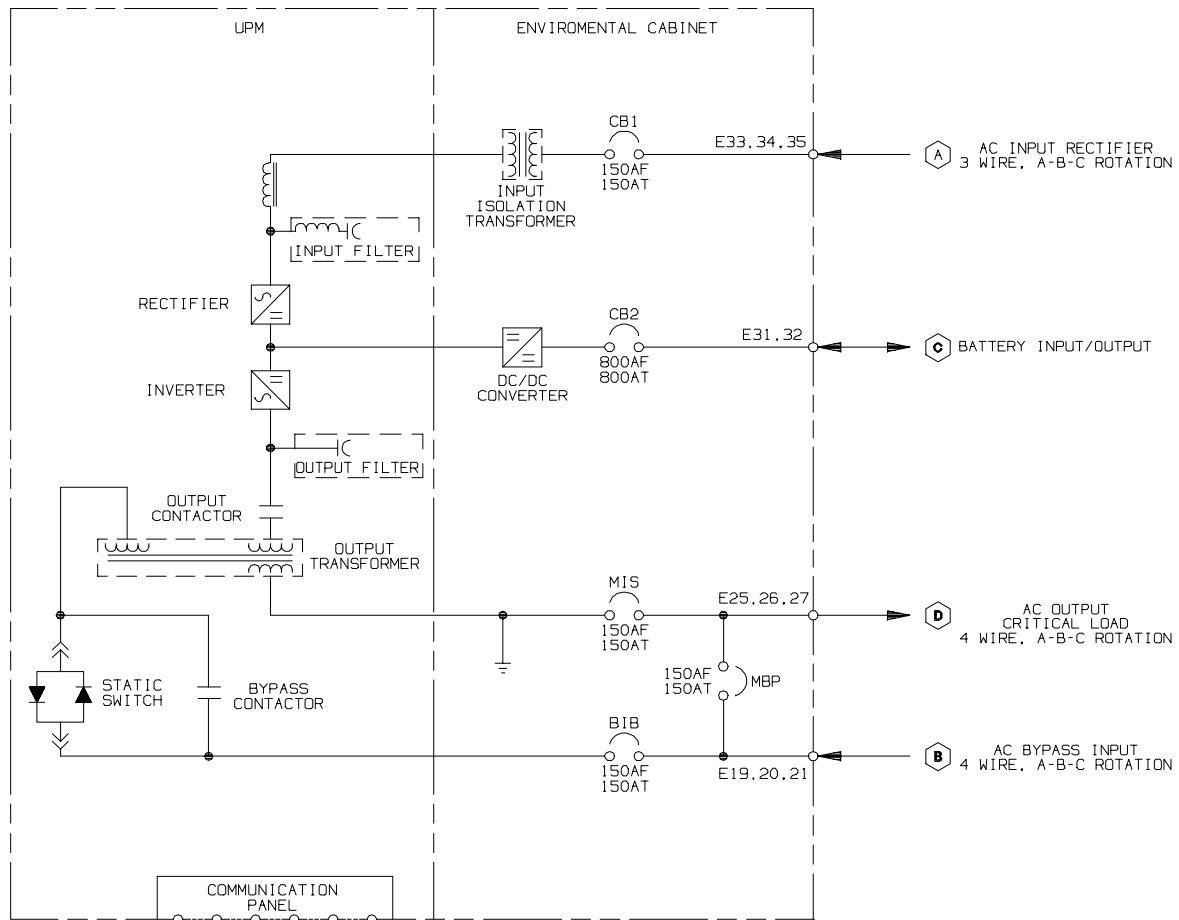
30. The Remote EPO feature opens all breakers and contactors in the UPS cabinet and isolates power from your critical load. Local electrical codes may also require tripping upstream protective devices to the UPS.



<i>DESCRIPTION:</i>	INSTALLATION NOTES	
<i>DRAWING NO:</i>	164201261-1	<i>SHEET:</i> 11 of 11
<i>REVISION:</i>	A	<i>DATE:</i> 053099



DESCRIPTION: TYPICAL UPS SYSTEM	
DRAWING NO: 164201261-2	SHEET: 1 of 1
REVISION: A	DATE: 053099

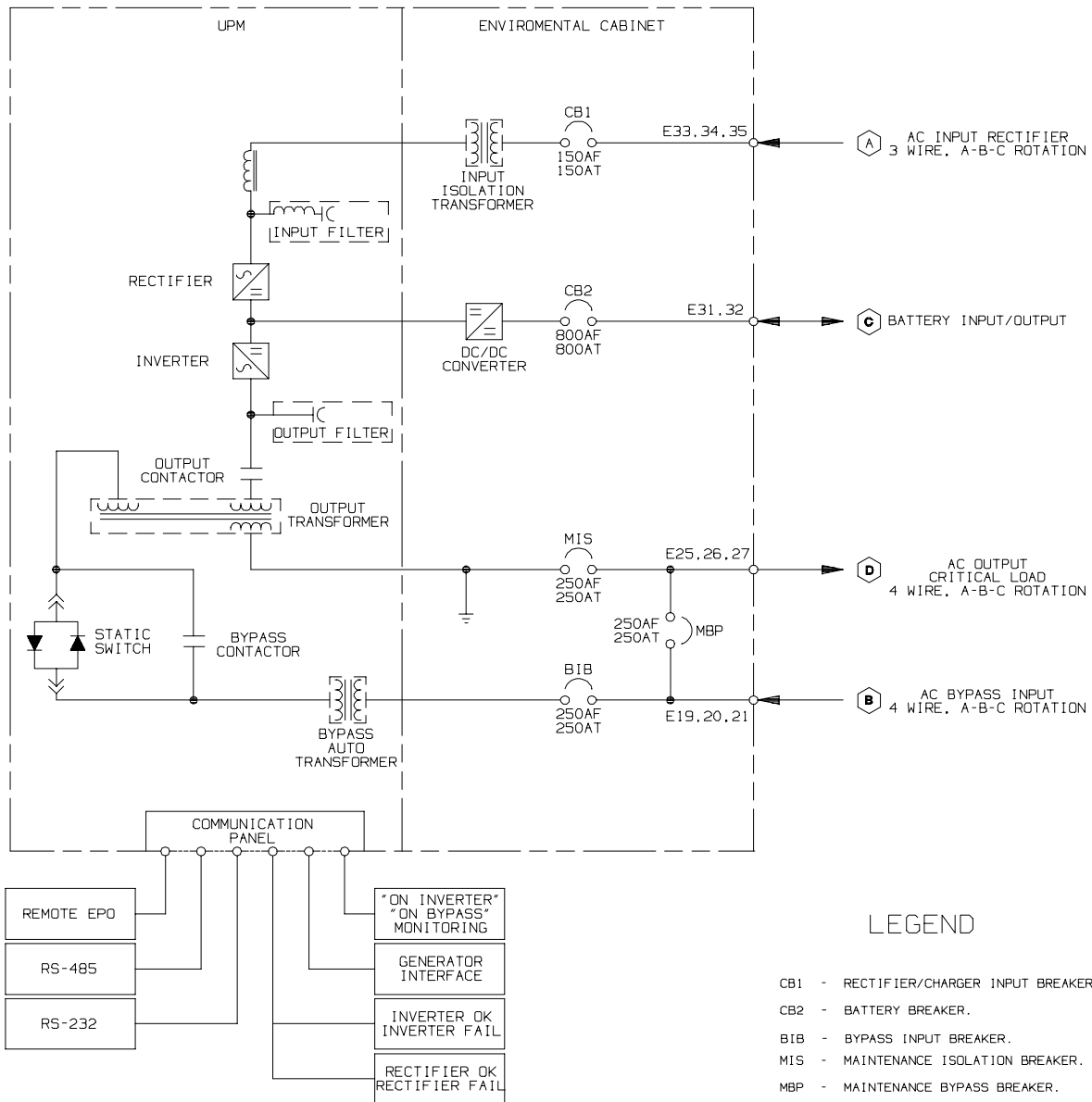


LEGEND

- CB1 - RECTIFIER/CHARGER INPUT BREAKER.
- CB2 - BATTERY BREAKER.
- BIB - BYPASS INPUT BREAKER.
- MIS - MAINTENANCE ISOLATION BREAKER.
- MBP - MAINTENANCE BYPASS BREAKER.

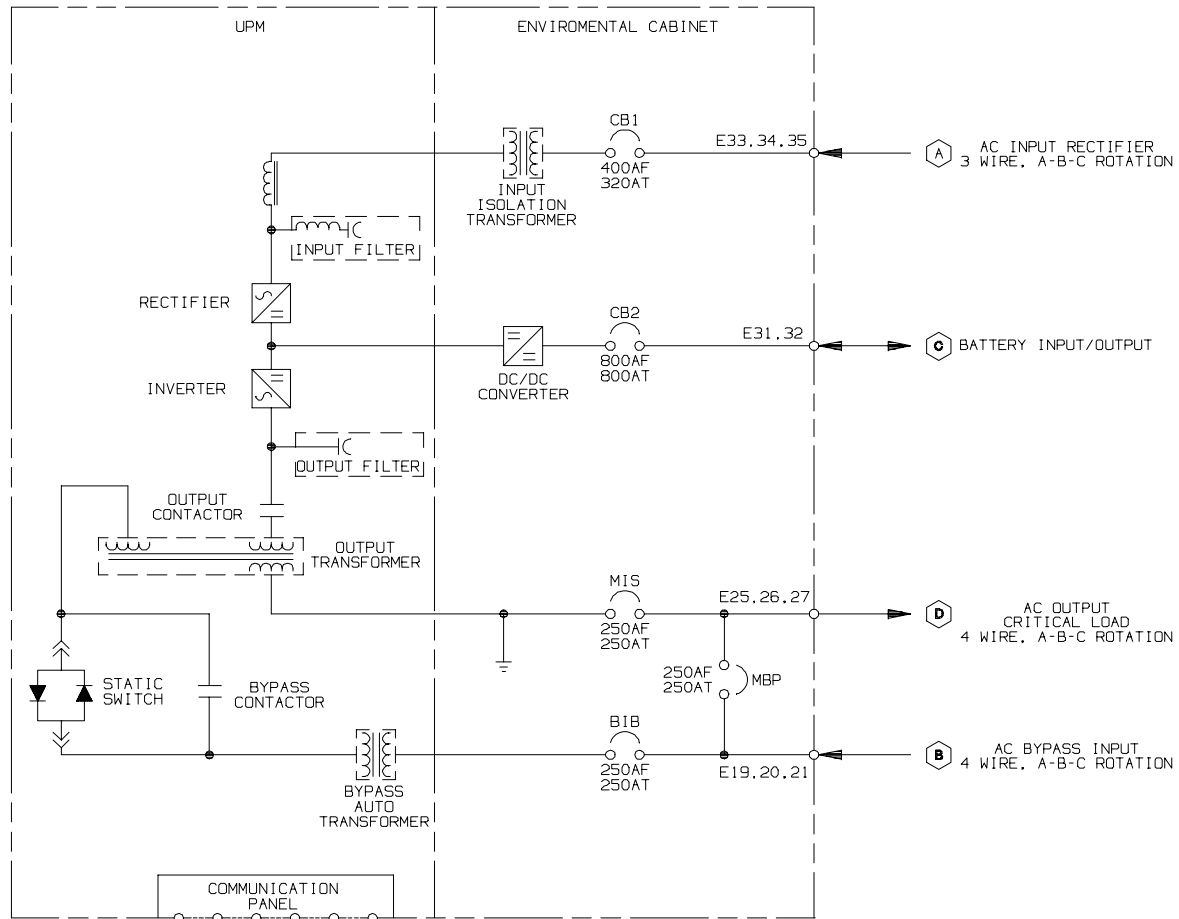
UPS SYSTEM WITH 480/480 OR 400/400 VOLT INPUT/OUTPUT

DESCRIPTION:	ONLINE DRAWINGS OF UPS SYSTEM	
DRAWING NO:	164201261-3	SHEET: 1 of 4
REVISION:	A	DATE: 053099



UPS SYSTEM WITH 480/208 VOLT INPUT/OUTPUT

DESCRIPTION: ONLINE DRAWINGS OF UPS SYSTEM	
DRAWING NO: 164201261-3	SHEET: 2 of 4
REVISION: A	DATE: 053099

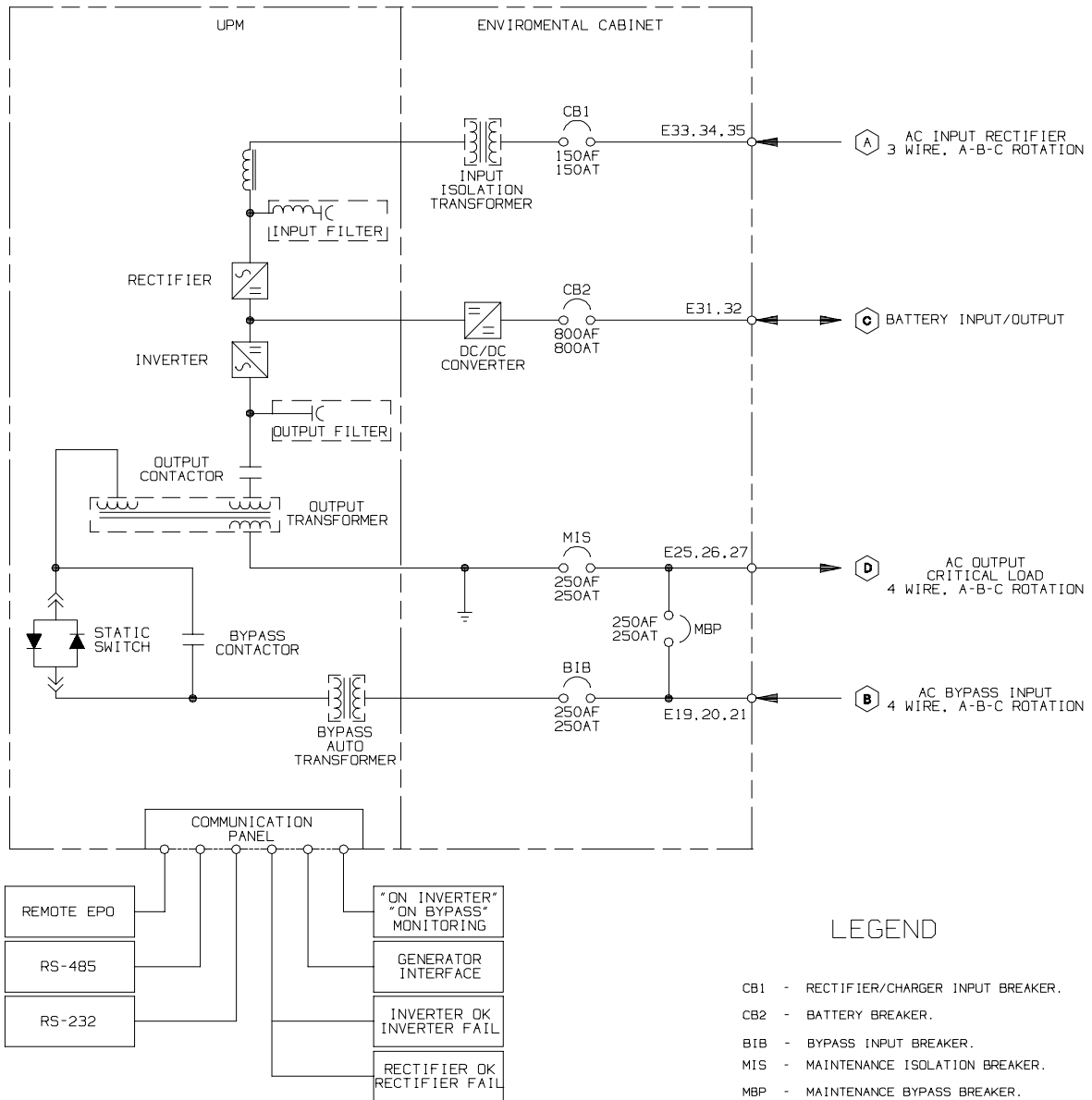


LEGEND

- CB1 - RECTIFIER/CHARGER INPUT BREAKER.
- CB2 - BATTERY BREAKER.
- BIB - BYPASS INPUT BREAKER.
- MIS - MAINTENANCE ISOLATION BREAKER.
- MBP - MAINTENANCE BYPASS BREAKER.

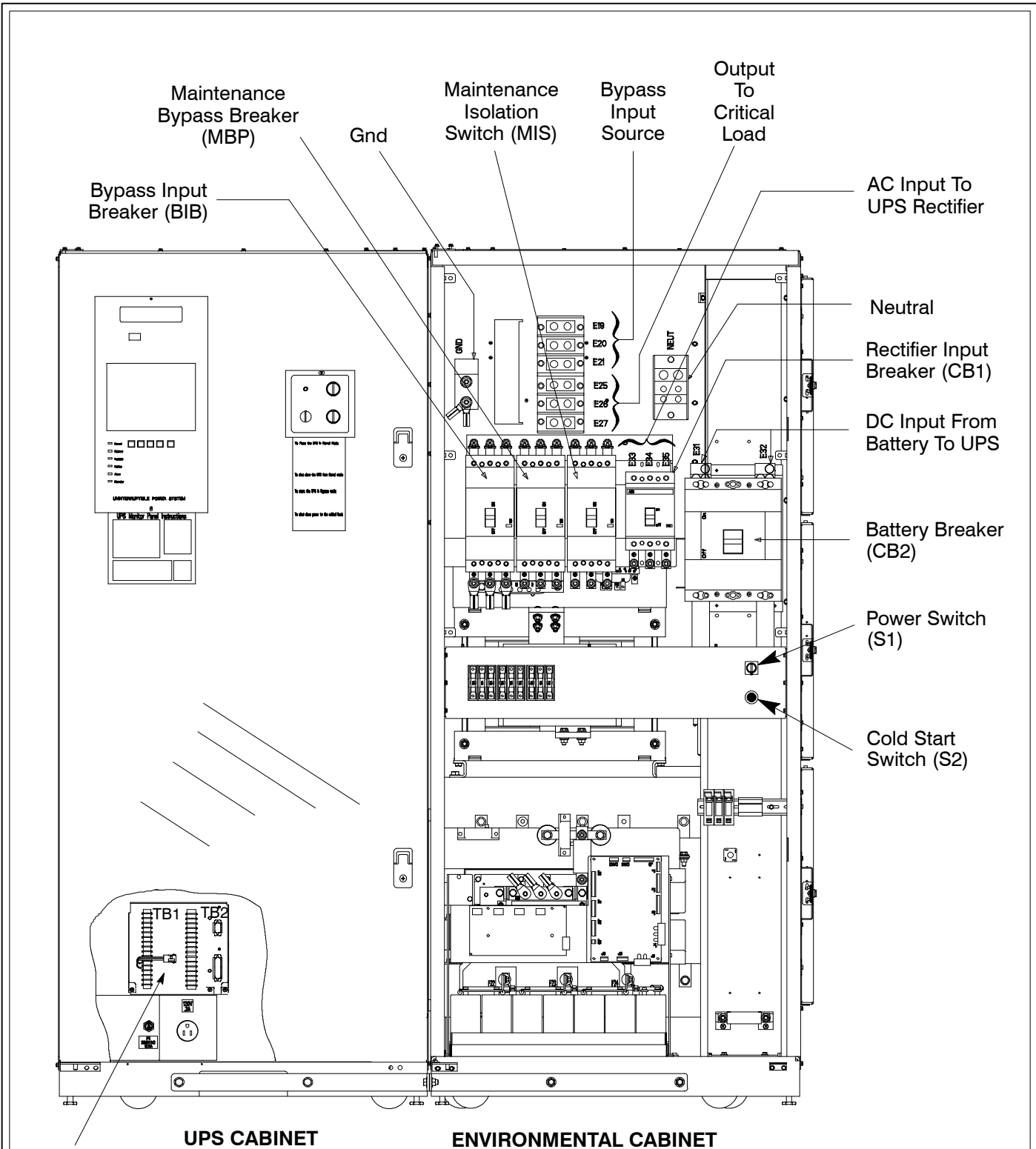
UPS SYSTEM WITH 208/208 VOLT INPUT/OUTPUT

DESCRIPTION:	ONLINE DRAWINGS OF UPS SYSTEM	
DRAWING NO:	164201261-3	SHEET: 3 of 4
REVISION:	A	DATE: 053099



UPS SYSTEM WITH 600/208 VOLT INPUT/OUTPUT

DESCRIPTION: ONLINE DRAWINGS OF UPS SYSTEM	
DRAWING NO: 164201261-3	SHEET: 4 of 4
REVISION: A	DATE: 053099



Cutaway View of Communication Panel

UPS CABINET

ENVIRONMENTAL CABINET

EXTERNAL WIRING

NOTE: Connections shown are external connections to the UPS system. Connections between the UPS cabinet and Environmental cabinet. are shown on sheet 1.

DESCRIPTION:	LOCATION OF UPS POWER TERMINALS	
DRAWING NO:	164201261-4	SHEET: 1 of 2
REVISION: D	DATE: 011001	

DC Input to UPS
(E4, E5)
(+, -)
Connect cables
205 and 206

AC Input to
Bypass Transformer
(E13, E14, E15)
(A, B, C Left to Right)
Connect cables 227,
228, and 229

AC Input to
UPS Rectifier
(E1, E2, E3)
(A, B, C Top to Bottom)
Connect cables 250,
251, and 252

Port 1 (DB-9)
RS-232/485
(J3)

Output
Neutral
Connection
(E12)
Connect cable 600 (2)

Communication
Panel

AC Output
(E9, E10, E11)
(A, B, C,
Top to Bottom)
Connect cables
237, 238, and 239

Port 2 (DB-25)
RS-232
(J4)
(Optional)

Main Bonding
Jumper

Ground

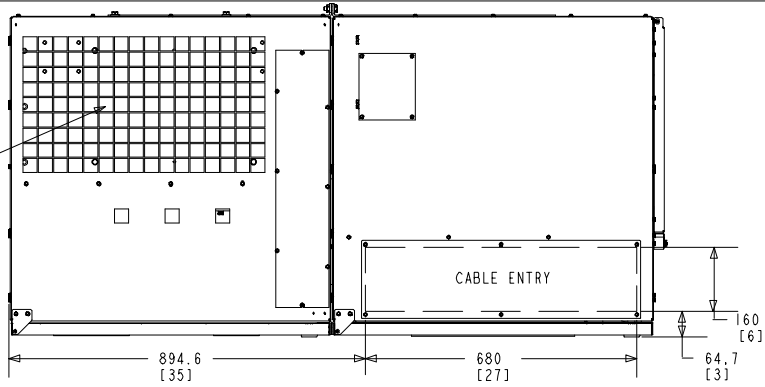
INTERCABINET WIRING

NOTE: Connections shown are between the UPS cabinet and Environmental cabinet. External connections are shown on sheet 1.

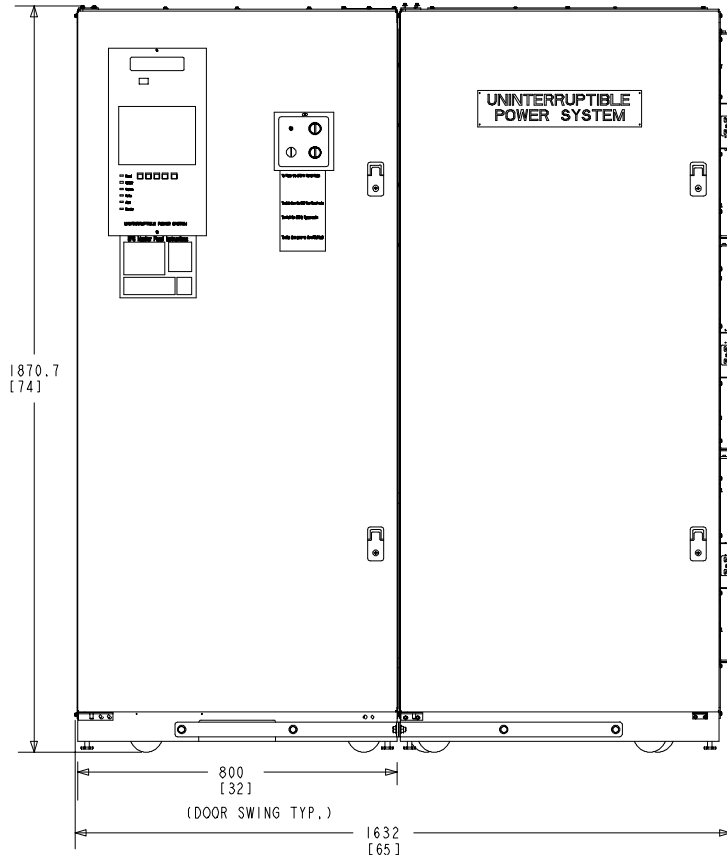
DESCRIPTION:	LOCATION OF UPS POWER TERMINALS	
DRAWING NO:	164201261-4	SHEET: 2 of 2
REVISION:	A	DATE: 053099

TOP VIEW
(UNIT WEIGHT 4,100 LBS.)

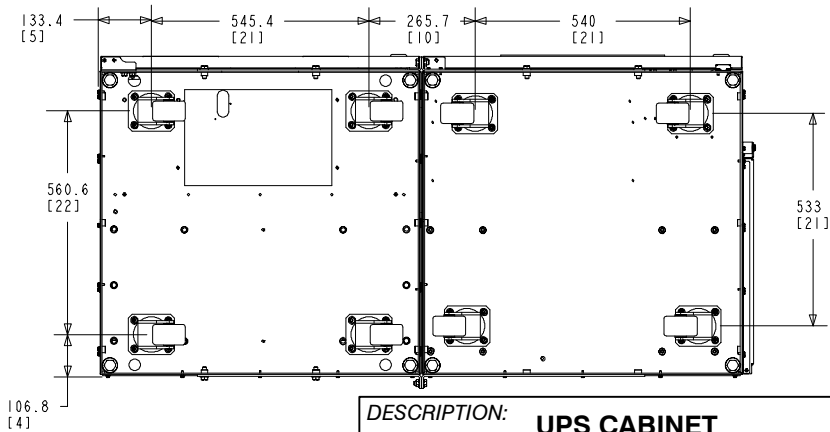
EXHAUST AIR OUTLET



FRONT VIEW

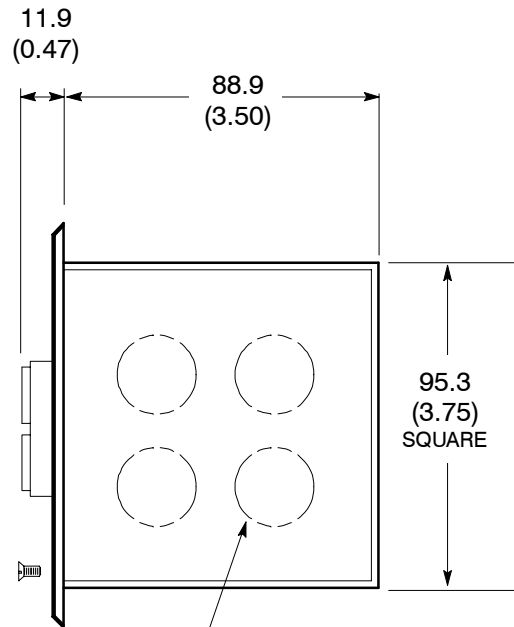
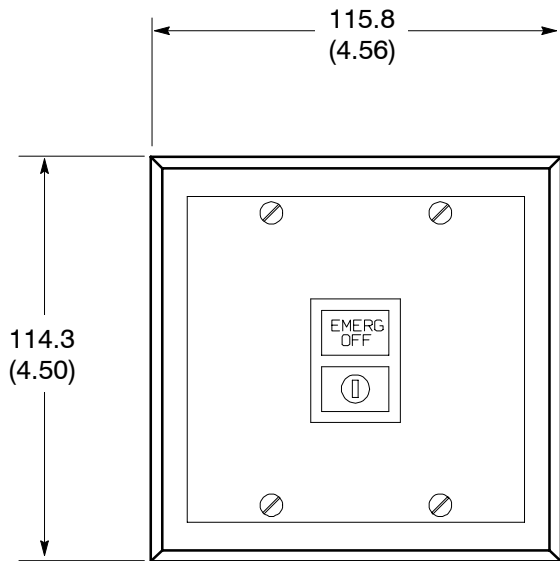


BOTTOM VIEW

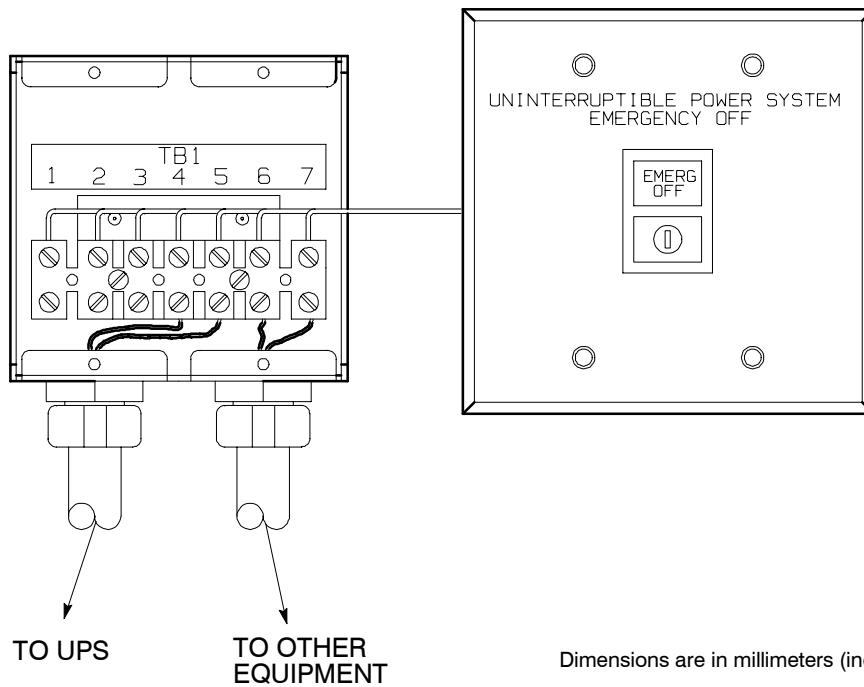


Dimensions are in millimeters (inches)

DESCRIPTION: UPS CABINET		SHEET: 1 of 1
DRAWING NO:	164201261-5	
REVISION: A	DATE: 053099	

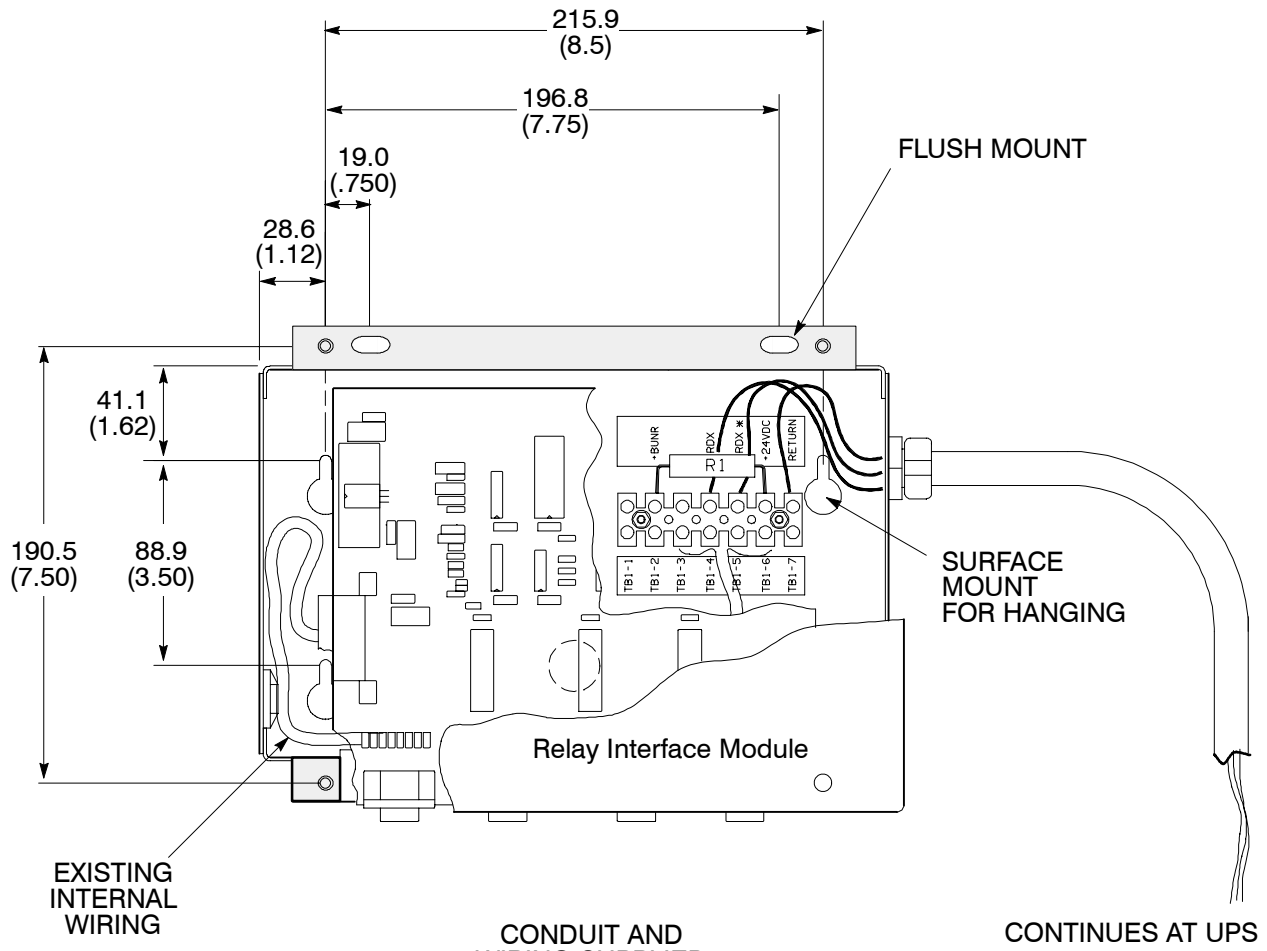


Knockout pattern
typ. 5 sides



Dimensions are in millimeters (inches)

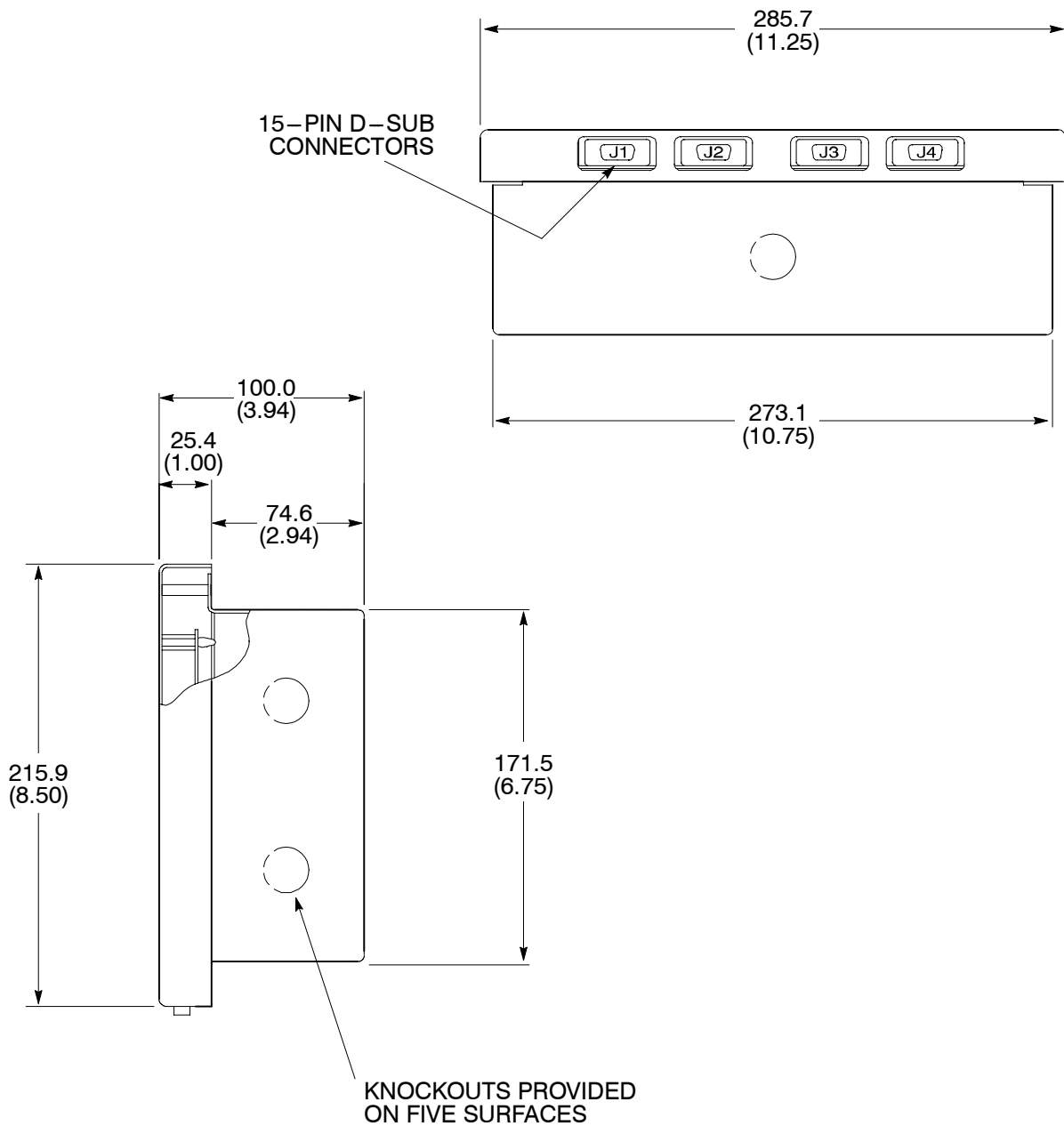
<i>DESCRIPTION:</i> REMOTE EMERGENCY POWER OFF		
<i>DRAWING NO:</i>	164201261-6	<i>SHEET:</i> 1 of 1
<i>REVISION:</i>	A	<i>DATE:</i> 053099



CONDUIT AND WIRING SUPPLIED BY CUSTOMER.
 Maximum distance between RIM and UPS not to exceed 500 feet. Wires must be twisted.
 MAX WIRE SIZE NO. 14 AWG.
 MIN WIRE SIZE NO. 18 AWG.

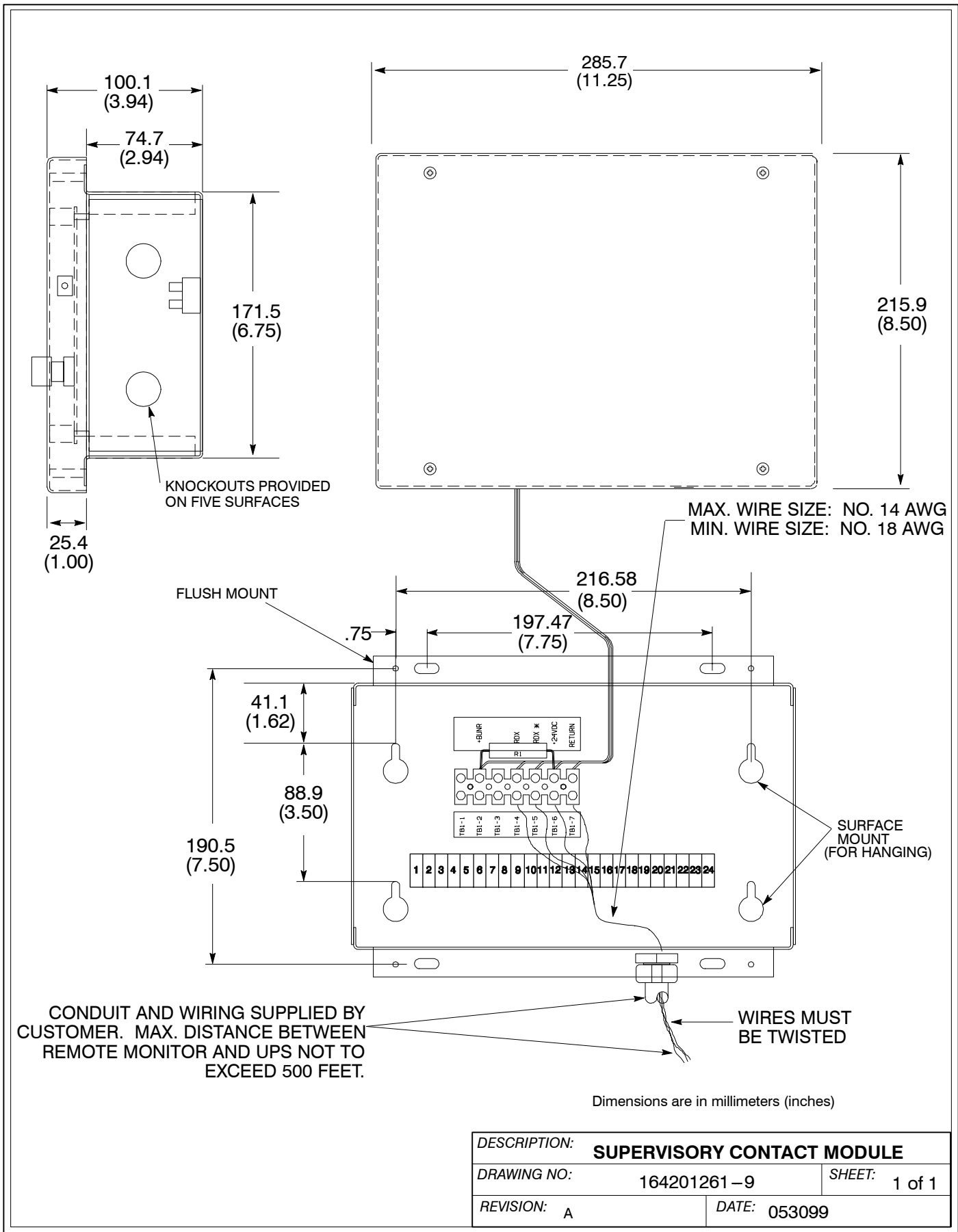
Dimensions are in millimeters (inches)

DESCRIPTION: RELAY INTERFACE MODULE	
DRAWING NO: 164201261-8	SHEET: 1 of 2
REVISION: A	DATE: 053099



Dimensions are in millimeters (inches)

DESCRIPTION: RELAY INTERFACE MODULE	
DRAWING NO: 164201261-8	SHEET: 2 of 2
REVISION: A	DATE: 053099



This Page Intentionally Left Blank.

LIMITED FACTORY WARRANTY FOR THREE-PHASE POWERWARE PRODUCTS

Subject to the conditions herein, *Powerware* (*Powerware*®) warrants solely, to the original end-user, the electronics (the "Unit"), and *Powerware* built battery cabinets, against defects in material and workmanship for the warranty period of 12 months, from the date of equipment start up, or 18 months from date of shipment, whichever occurs first. Should service be necessary, this warranty covers:

USA only: The *Powerware* 9315, 9320, 9330, 9335, BPIII, and BPIV three-phase UPS products are sold with a standard factory warranty (described below), start up, and extended labor service.

All three-phase UPS installations will have an authorized *Powerware* Service Engineer perform startup or the factory warranty and extended labor service will be void. The included first year extended labor service provides for a complete 12 months of onsite labor for your UPS purchase.

Worldwide: All parts requiring replacement for the Factory Warranty period.

If, in the opinion of *Powerware*, the Unit fails to meet published specifications and the defect is within the terms of this warranty, the Unit will be repaired or replaced at the option of *Powerware* with no charge for replacement parts. Labor required, to make upgrades, repairs or replacement installation, is not included under the terms of this Limited Warranty, except for labor and travel costs required during the first 90 days of this warranty (USA only), provided that startup of the unit onsite, has been performed by *Powerware* (in USA) or its agent (outside of USA). Equipment sold, but not manufactured by *Powerware*, and only the manufacturer of such equipment shall warrant this equipment and is not included as part of this warranty agreement. Equipment repaired or replaced pursuant to this warranty will be warranted for the remaining portion of the original warranty subject to all the terms thereof.

This warranty is not valid unless an authorized *Powerware* Service Engineer (in USA) or Agent (outside USA) performs startup and commissioning. This warranty does not apply to any Unit that has been subject to neglect, accident, abuse, misuse, misapplication, incorrect installation, or that has been subject to repair or alteration, not authorized in writing by *Powerware* personnel or performed by an authorized *Powerware* Service Engineer or Agent. Purchaser shall be invoiced for, and shall pay for, all services not expressly provided for by the terms hereof, including, without limitation, site calls involving an inspection that determines no corrective maintenance is required. THIS WARRANTY IS THE PURCHASER'S (USER'S) SOLE REMEDY AND IS EXPRESSLY IN LIEU OF, AND THERE ARE NOT OTHER, EXPRESSED OR IMPLIED GUARANTEES OR WARRANTIES (INCLUDING ANY IMPLIED WARRANTY OF MERCHANTABILITY OR FITNESS FOR ANY PURPOSE, WHICH ARE EXPRESSLY DISCLAIMED). In no case will *Powerware*'s liability under this Warranty exceed the replacement value of the Unit warranted.

Invensys Powerware's obligation, under said warranty, is expressly conditioned upon receipt by *Powerware* of all payments due it (including interest charges, if any). During such time as *Powerware* has not received payment of any amount due it, in accordance with the Contract terms under which the equipment is sold, *Powerware* shall have no obligation, under said warranty; also during this time, the period of said warranty shall continue to run and the expiration of said warranty shall not be extended upon payment of the overdue amount. These limitations, to said warranty, apply even in the event that the equipment is sold initially by *Powerware* for resale to an ultimate end-user.

In no event shall *Powerware* be liable for any indirect, incidental special or consequential damages of any kind or type whatsoever, or based on any claim or cause of action, however denominated. *Powerware* shall not be responsible for failure to provide service or parts due to causes beyond *Powerware*'s reasonable control. This limited warranty applies only to the original end user of the unit.

This factory warranty will not be in effect if the End-User does not properly store the equipment, including the "trickle charge" of batteries no later than the date indicated on the packaging, before installation and does not cover shipping damages if FOB Factory. Cost for replacement equipment, installation, material freight charges travel expenses and labor of *Powerware* representatives will be borne by the Purchaser (user). Any advice furnished the Purchaser before or after delivery in regard to use or application of *Powerware* equipment is furnished without charge and on the basis that it represents *Powerware*'s best judgment under the circumstances. The use of any such advice by the Purchaser is solely and entirely at its own risk. Any other agreements, such as Service contracts or Sales Concessions are not means to annul this Factory Warranty.

For comment or questions, about this Limited Factory Warranty, write to the Customer Quality Representative, 3301 Spring Forest Road, Raleigh, NC 27601, or call (919) 872-3020

This Page Intentionally Left Blank.



164201261 Rev F

Free Manuals Download Website

<http://myh66.com>

<http://usermanuals.us>

<http://www.somanuals.com>

<http://www.4manuals.cc>

<http://www.manual-lib.com>

<http://www.404manual.com>

<http://www.luxmanual.com>

<http://aubethermostatmanual.com>

Golf course search by state

<http://golfingnear.com>

Email search by domain

<http://emailbydomain.com>

Auto manuals search

<http://auto.somanuals.com>

TV manuals search

<http://tv.somanuals.com>