



A2.65C

HIGH PERFORMANCE 2-WAY COAXIAL & COMPONENT SPEAKER SYSTEM

INSTALLATION INSTRUCTIONS /OWNER'S MANUAL

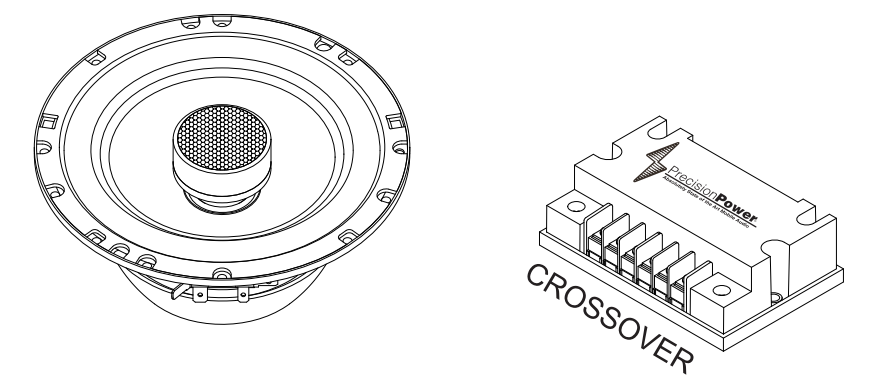
Thank you for purchasing a PrecisionPower speaker system. It is a state-of-the-art product carefully designed manufactured for vehicle use, and has been thoroughly tested to ensure consistent and reliable performance. If you have any question about the installation or operation of your PrecisionPower speaker system which are not answered by this manual, contact your dealer in the first instance.

Function

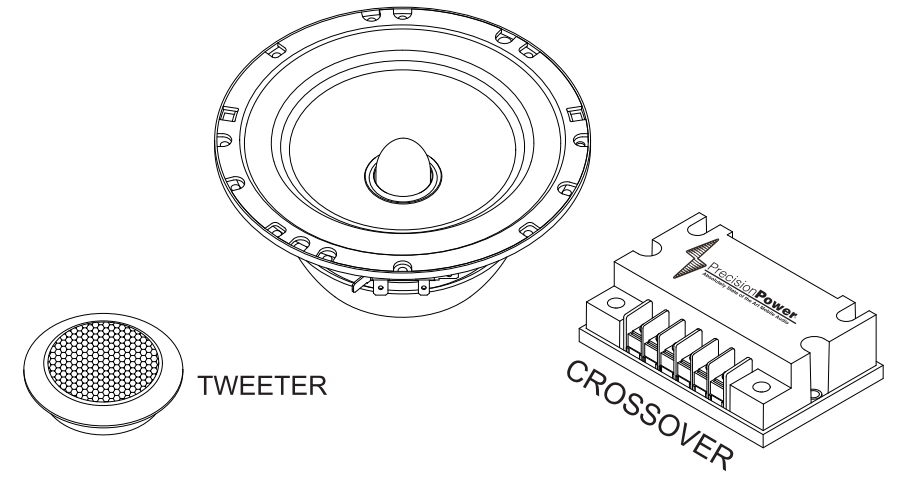
Your PrecisionPower loudspeakers represent a unique design in car audio application. Our A2.65C are convertible. That means they can be used as coaxial speakers with each speaker mounted in one location or they can be converted into a two-way component set with the woofer mounted in a standard speaker location and the tweeter mounted in an optimum (usually higher) location. Your speaker system consists of (2) coaxial speakers with removable tweeters, (2) outboard passive crossover networks, (2) aluminum bullet dust cap, (2) sets of mounting hardware for the tweeters. These aluminum bullet dust caps are used when you convert the speaker system to a component set. When used as a component set, the real tweeters are mounted utilizing the included mounting hardware. Whether using the speakers in coaxial mode or as separates you will need to connect the crossover as indicated in the installation instructions.

1

USING AS A COAXIAL



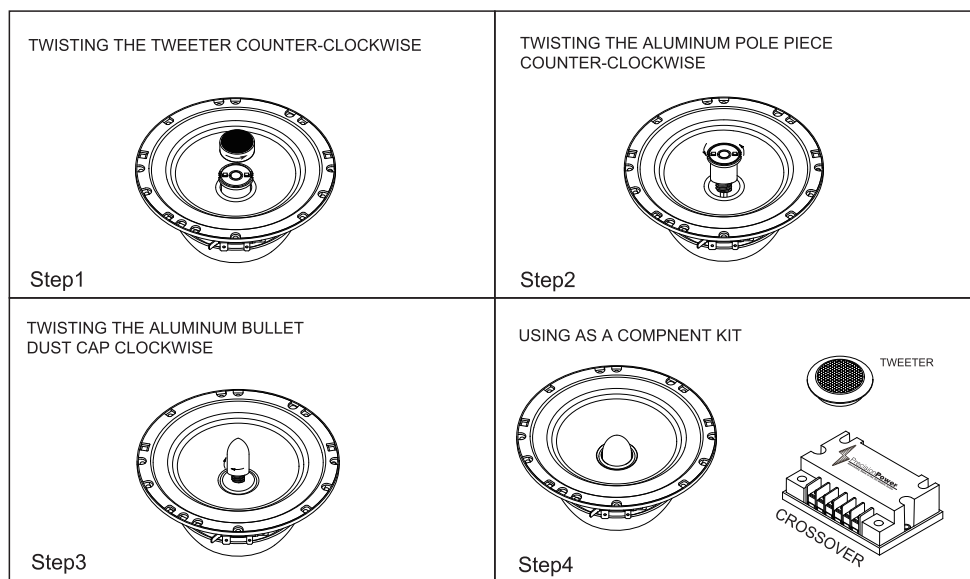
USING AS A COMPONENT KIT



2

Installation

1. Whenever working on a vehicle's electrical system you should disconnect the negative terminal of the vehicle's battery to prevent damage. Consult your vehicle owner's manual before you disconnect the battery.
2. Determine the mounting location to be used. If you are using a mounting location that does not correspond to the size of your speaker you will have to modify the location by cutting (if you need a larger mounting hole) or fabricating a mounting surface (if the existing hole is too large). When cutting or drilling be aware of factory wiring and other lines or devices that may be mounting around or behind the surface being cut or drilled. Make sure the front surface of the speaker cone does not share the same air space with the back surface.
3. If cutting the metal in the vehicle is needed to mount the speaker, be sure to file down any jagged edges to prevent injury.

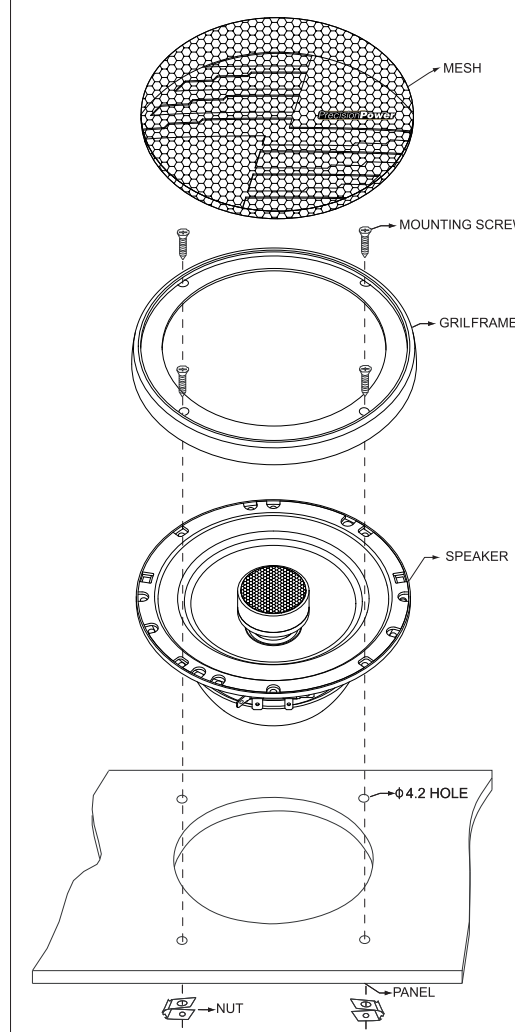


3

4. Connect speaker wire to the amplifier or head unit (whichever is providing the signal to the speakers) and run to the mounting location. This may require removal of interior trim panels, seats, and other parts of the vehicle. In many cases the speaker wire is run underneath the carpet. Mark the speaker wire so you can make the proper connections to the crossovers.
5. Fit the speaker in the mounting location and mark screw hole locations if none already exist. Drill the mounting holes. Do not use the speaker as a template for drilling holes.
6. Using the speakers as coaxial speakers, Connect the speaker leads to the crossover. Wire the tweeter output to the tweeter terminals on the speaker (smaller connectors). The red dot indicates the positive (+) terminal. Wire the woofer output to the larger terminals (for the woofer) on the speaker. The red dot indicates the positive (+) terminal.
7. Using the screws provided carefully mount the speaker.
8. If using the speakers as components, remove the tweeter by twisting it counter-clockwise, then twisting the aluminum pole piece counter-clockwise. After that, twisting the aluminum bullet dust cap clockwise. Connect the woofer output from the crossover to the larger terminals. Mount the tweeter using the tweeter mounting kit (included). Connect the tweeter output to the tweeter.
9. Check all connections. Make sure no wires have been pinched or cut during installation.
10. Connect the negative battery terminal. Turn on the stereo system to a moderate level and adjust to your listening taste.
11. Replace any vehicle parts you removed during installation.
12. If you need help with installation, please contact your local car stereo installation specialist.

4

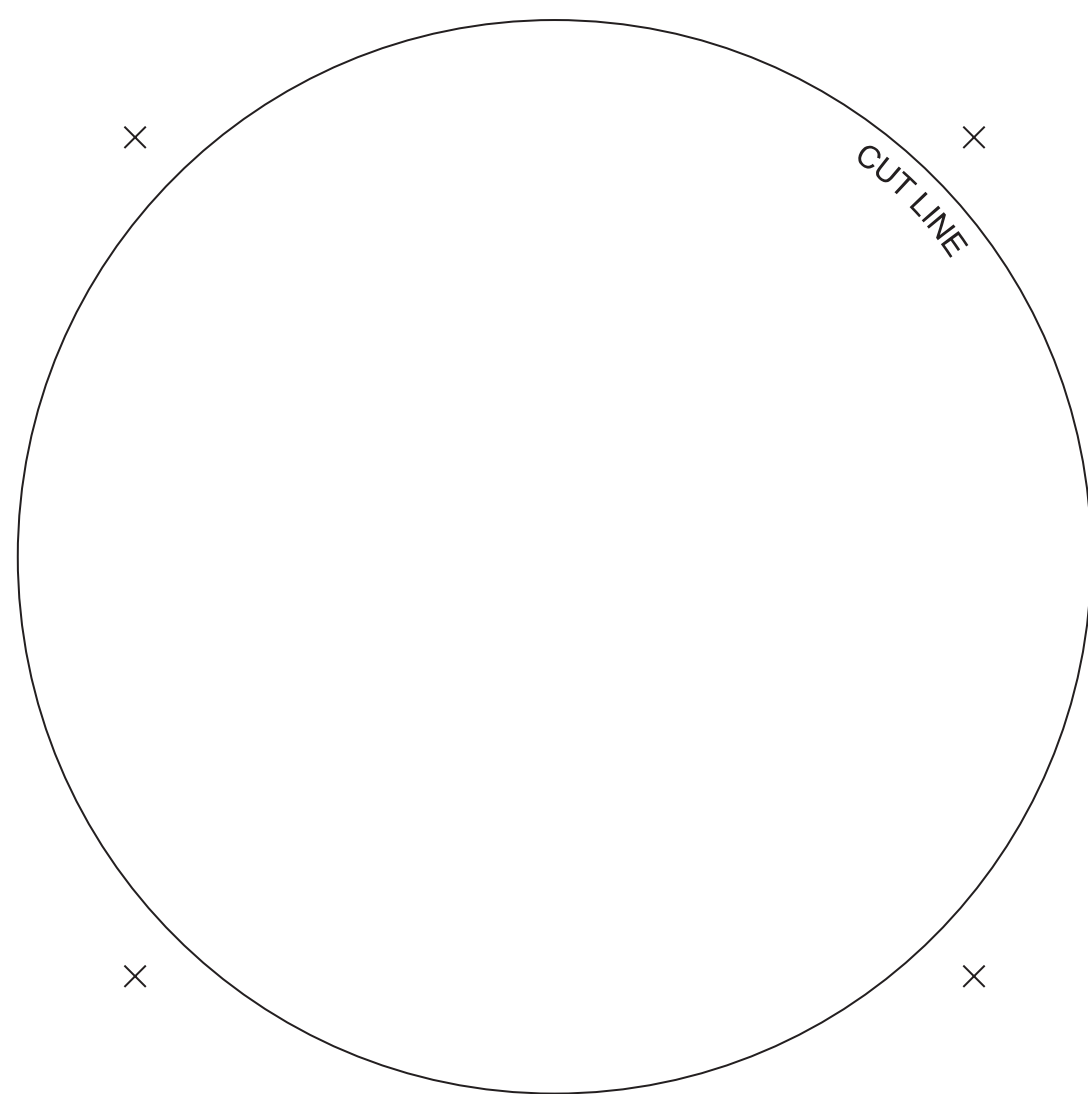
SPEAKER INSTRUCTION



1. Using mounting template for speaker, mark the correct mounting location by a pencil or pen.
2. Cut out the panel by this marking and drill 4 holes for the mounting bolts to pass through.
3. Separate the punching metal from the grill frame.
4. Connect the terminal of speaker to car audio correctly by using cord provided. Caution: be careful not to misconnect polarity.
5. Insert grill frame & speaker Unit in the speaker mounting hole at the rear panel and fix speaker with bolts, screws & nuts provided.
6. Put the punching metal back with the grill frame.

5

TEMPLATE



6



Free Manuals Download Website

<http://myh66.com>

<http://usermanuals.us>

<http://www.somanuals.com>

<http://www.4manuals.cc>

<http://www.manual-lib.com>

<http://www.404manual.com>

<http://www.luxmanual.com>

<http://aubethermostatmanual.com>

Golf course search by state

<http://golfingnear.com>

Email search by domain

<http://emailbydomain.com>

Auto manuals search

<http://auto.somanuals.com>

TV manuals search

<http://tv.somanuals.com>