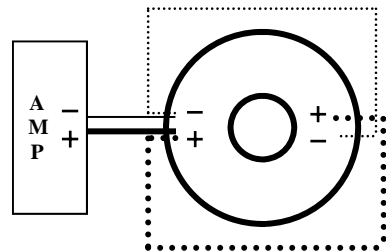
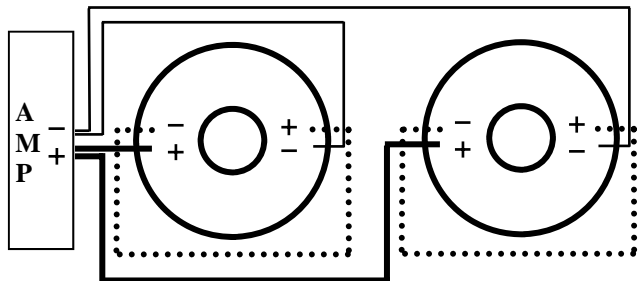


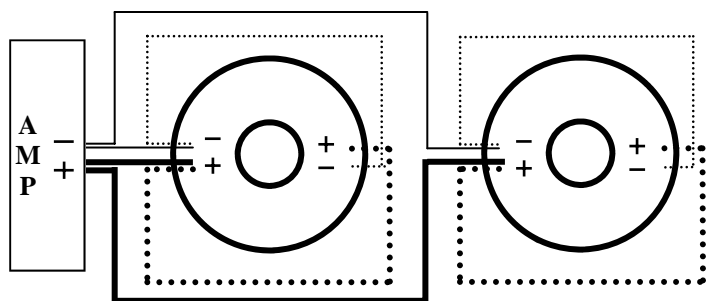
1 PC.DS Woofer Wired to 8Ω



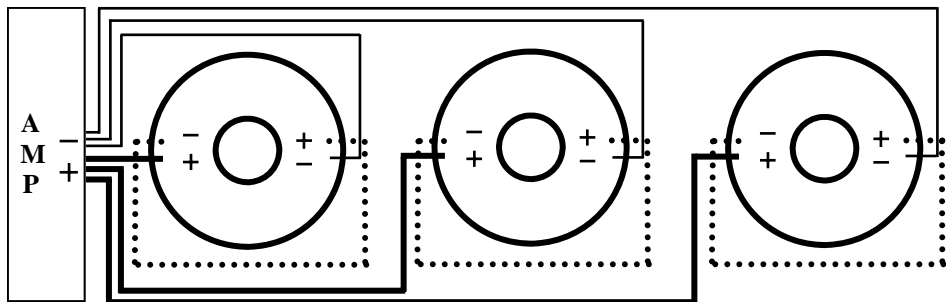
1 PC.DS Woofer Wired to 2Ω



2 PC.DS Woofers Wired to 4Ω



2 PC.DS Woofers Wired to 1Ω



3 PC.DS Woofers Wired to 2.66Ω

WWW.PRECISIONPOWER.COM

PrecisionPower[®]

Absolutely State of the Art Mobile Audio™

2010 POWER CLASS DUAL SUSPENSION SUBWOOFERS

PC.15DS PC.18DS



Thank you for choosing **PrecisionPower** woofers. Designed and engineered in the USA, this product combines innovative technology with the finest materials to consistently deliver *Absolutely State of the Art* performance, sound quality, reliability, and value. This **PrecisionPower** product reflects our commitment to offer you unparalleled performance and quality for years of dependable service and listening enjoyment.

Features, Parameters, & Dimensions

Cast Aluminum Basket
Pressed Paper Cone
Aluminum Phase Plug
4 Layer Voice Coil

Aluminum VC Former
Dual Conex Spiders
Reinforced Foam Surround
Compression Terminals

series wired	PC.15DS	PC.18DS
Fs (Hz)	48.02	35.99
Qms	7.247	6.391
Vas (ft ³)	2.184	5.329
Cms (mm/N)	0.0698	0.0674
Mms (g)	157.4	290
Rms (kg/s)	6.555	10.27
Xmax (mm)	2	1.5
Xmech (mm)	17	16.5
Piston Diameter (in)	14.1	16.69
Sd (in ²)	122.45	194.68
Qes	0.424	0.521
Re (Ω)	7.2	7.2
Z (Ω)	8	8
BL (Tm)	28.41	31.76
Rms Power (watts)	1,200	1,600
Qts	0.4	0.482
NO (%)	1.562	1.306
1w/1m SPL (dB)	93.96	93.18
2.8V SPL (dB)	94.54	93.31
Voice Coil Diameter (in)	3"	4"
Impedance (Ω)	DVC 4Ω	DVC 4Ω
M-vd (ft. ³)	0.27	0.43
Overall Diameter (in.)	15.5"	18.25"
Overall Height (in.)	7.25"	9.625"
Cutout Diameter (in.)	14.125"	16.75"
Mounting Depth (in.)	6.75"	8.875"

Enclosure Dimensions

Included in this manual are a number of different enclosure suggestions. These are by no means the only enclosures to use, but they provide a starting point to determine the correct enclosure for your needs many factors must be addressed (amount of power, vehicle, placement, crossovers, etc) Therefore, as always **PrecisionPower** recommends that your subwoofer be installed by an authorized **PrecisionPower** dealer.

Enclosure Construction

All enclosures should be made of .75" (3/4") material only. When possible, make the baffle 1.5" (1 1/2) thick and add .75" (3/4") to the depth of the enclosure to compensate. All volumes **INCLUDE** vent/port and subwoofer displacements. **DO NOT** change the volume unless you plan on adding a substantial amount of bracing. For added performance, applying a coat of fiberglass resin to the interior walls will greatly improve sealing the enclosure. Adding a thin layer of poly-fill will improve response by smoothing out reflections within the enclosure.

Enclosure Recommendations

PC.15DS High Tuned Ported					PC.15DS Low Tuned Ported				
Vol. (ft. ³)	Dimensions (H x L x D)	Port (dia. x L)	Freq. (Hz)	-3dB (Hz)	Vol. (ft. ³)	Dimensions (H x L x D)	Port (dia. X L)	Freq. (Hz)	-3dB (Hz)
3.50	18x23.75x18	(4) 4"x10"	56.3	48.9	3.50	18x23.75x18	(2) 4"x10"	40.8	40.1
4.00	18x27x18	(4) 4"x10"	52	45.4	4.00	18x27x18	(2) 4"x10"	33.1	34.1
4.50	18x30.25x18	(4) 4"x10"	48.5	42.7	4.50	18x30.25x18	(2) 4"x10"	28.4	31.2

PC.18DS High Tuned Ported					PC.18DS Low Tuned Ported				
Vol. (ft. ³)	Dimensions (H x L x D)	Port (dia. X L)	Freq. (Hz)	-3dB (Hz)	Vol. (ft. ³)	Dimensions (H x L x D)	Port (dia. X L)	Freq. (Hz)	-3dB (Hz)
4.00	20"x21.75"x20"	(5) 4"x15"	53.2	47.3	4.00	20"x21.75"x20"	(3) 4"x15"	40.4	42.2
5.00	20"x27"x20"	(5) 4"x15"	46	41.2	5.00	20"x27"x20"	(3) 4"x15"	35.3	37.8
6.00	20"x32"x20"	(5) 4"x15"	41.3	37.3	6.00	20"x32"x20"	(3) 4"x15"	31.8	35.2

Free Manuals Download Website

<http://myh66.com>

<http://usermanuals.us>

<http://www.somanuals.com>

<http://www.4manuals.cc>

<http://www.manual-lib.com>

<http://www.404manual.com>

<http://www.luxmanual.com>

<http://aubethermostatmanual.com>

Golf course search by state

<http://golfingnear.com>

Email search by domain

<http://emailbydomain.com>

Auto manuals search

<http://auto.somanuals.com>

TV manuals search

<http://tv.somanuals.com>