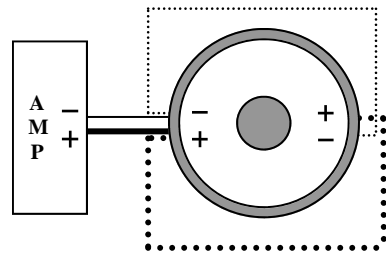
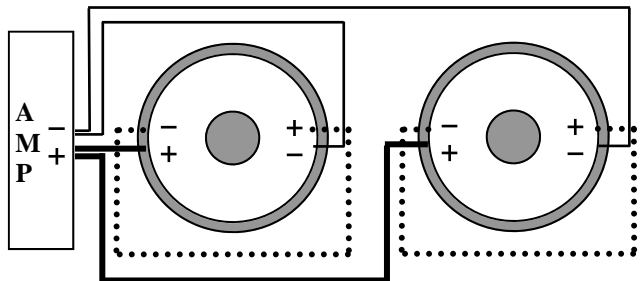


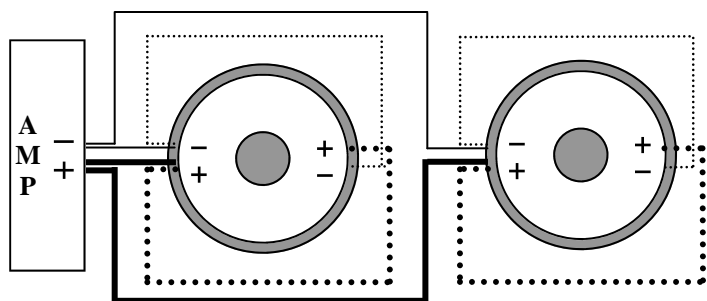
1 Art Subwoofer Wired to 4Ω



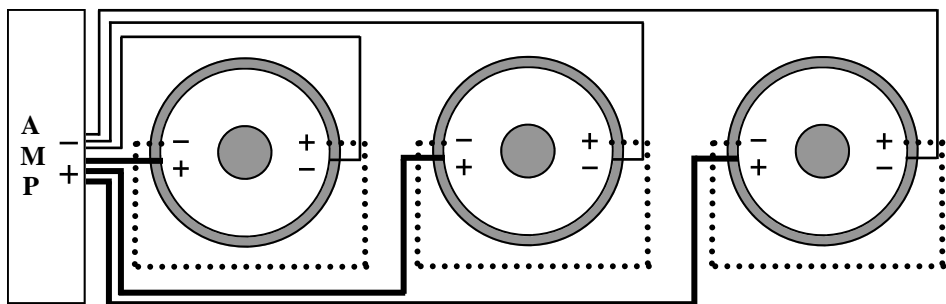
1 Art Subwoofer Wired to 1Ω



2 Art Subwoofers Wired to 2Ω



2 Art Subwoofers Wired to .5Ω



3 Art Subwoofers Wired to 1.33Ω

WWW.PRECISIONPOWER.COM



2010 ART SERIES SUBWOOFERS

A.10

A.12

A.15



Thank you for choosing **PrecisionPower** woofers. Designed and engineered in the USA, this product combines innovative technology with the finest materials to consistently deliver *Absolutely State of the Art* performance, sound quality, reliability, and value. This **PrecisionPower** product reflects our commitment to offer you unparalleled performance and quality for years of dependable service and listening enjoyment.

Features, Parameters, & Dimensions

Pressed Paper Cone
Injection Molded Conical Dust Cap
ABS Gasket
4 Layer Voice Coil
Stitched Tinsel Leads

Aluminum Voice Coil Former
Conex Composite Spider
Butyl Rubber Surround
Vented Pole Piece
Compression Terminals

series wired	A.10	A.12	A.15
Fs (Hz)	33.87	26.14	21.61
Qms	4.19	5.673	5.545
Vas (ft ³)	1.181	2.631	6.715
Cms (mm/N)	0.23	0.218	0.209
Mms (g)	96	169.6	259.1
Rms (kg/s)	4.876	4.912	6.347
Xmax (mm)	11.5	13.3	13.3
Xmech (mm)	17.25	19.95	19.95
Piston Diameter (in)	9.29	11.28	12.56
Sd (in ²)	49.6	75.95	124
Qes	0.636	0.793	0.671
Re (Ω)	4	4	4
Z (Ω)	4	4	4
BL (Tm)	11.33	11.25	14.48
Rms Power (watts)	400	500	600
Qts	0.552	0.696	0.599
NO (%)	0.198	0.162	0.277
1w/1m SPL (dB)	84.97	84.12	86.44
2.8V SPL (dB)	88.12	87.71	89.58
Voice Coil Diameter (in)	2"	2.5"	2.5"
Impedance (Ω)	DVC 2Ω	DVC 2Ω	DVC 2Ω

Enclosure Dimensions

Included in this manual are a number of different enclosure suggestions. These are by no means the only enclosures to use, but they provide a starting point to determine the correct enclosure for your needs many factors must be addressed (amount of power, vehicle, placement, crossovers, etc) Therefore, as always **PrecisionPower** recommends that your subwoofer be installed by an authorized **PrecisionPower** dealer.

Enclosure Construction

All enclosures should be made of .75" (3/4") material only. When possible, make the baffle 1.5" (1 1/2) thick and add .75" (3/4") to the depth of the enclosure to compensate. All volumes **INCLUDE** vent/port and subwoofer displacements. **DO NOT** change the volume unless you plan on adding a substantial amount of bracing. For added performance, applying a coat of fiberglass resin to the interior walls will greatly improve sealing the enclosure. Adding a thin layer of poly-fill will improve response by smoothing out reflections within the enclosure.

Enclosure Recommendations

A.10 Sealed			
Vol. (ft. ³)	Dimensions (H x L x D)	QTC	-3dB (Hz)
0.50	11x14x9	0.965	50.8
0.75	11x14x12.5	0.847	47.6
1.00	11x14x16.25	0.778	46.3

A.12 Sealed			
Vol. (ft. ³)	Dimensions (H x L x D)	QTC	-3dB (Hz)
1.00	13x14.5x13	1.252	37.5
1.50	13x21.25x13	1.084	33.6
2.00	13x27.75x13	0.996	31.7

A.15 Sealed			
Vol. (ft. ³)	Dimensions (H x L x D)	QTC	-3dB (Hz)
2.00	18x17.5x15	1.219	34.9
3.00	18x25x15	1.035	31.1
4.00	18x33x15	0.933	29.4

Free Manuals Download Website

<http://myh66.com>

<http://usermanuals.us>

<http://www.somanuals.com>

<http://www.4manuals.cc>

<http://www.manual-lib.com>

<http://www.404manual.com>

<http://www.luxmanual.com>

<http://aubethermostatmanual.com>

Golf course search by state

<http://golfingnear.com>

Email search by domain

<http://emailbydomain.com>

Auto manuals search

<http://auto.somanuals.com>

TV manuals search

<http://tv.somanuals.com>