

PBC

Projector Mount

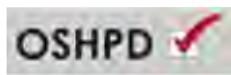
The PBC pipe-adaptable universal mount is the ideal solution for projectors weighing up to 60 lbs. It features four double-jointed support arms and adjustable leveling feet that allow flexible positioning to reach any mounting point. Its unique design allows the mount to adapt to any standard 1 1/2" NPT for lengthening capabilities. Cables can be routed inside pipe for a neat appearance.



- Fits most projectors up to 60 lbs.
- +/- 20° tilt and roll
- 360° rotation
- Mounts to traditional, vaulted or cathedral ceilings*
- Mates with 1 1/2" NPT
- Cable routing inside pipe
- OSHPD tested (OPA-1635)
- Lifetime warranty
- Colors: Black and White

Model	Color	Max. Wt.
PBC-UMS	Black	60 lbs. (27 kgs.)
PBC-UMW	White	60 lbs. (27 kgs.)

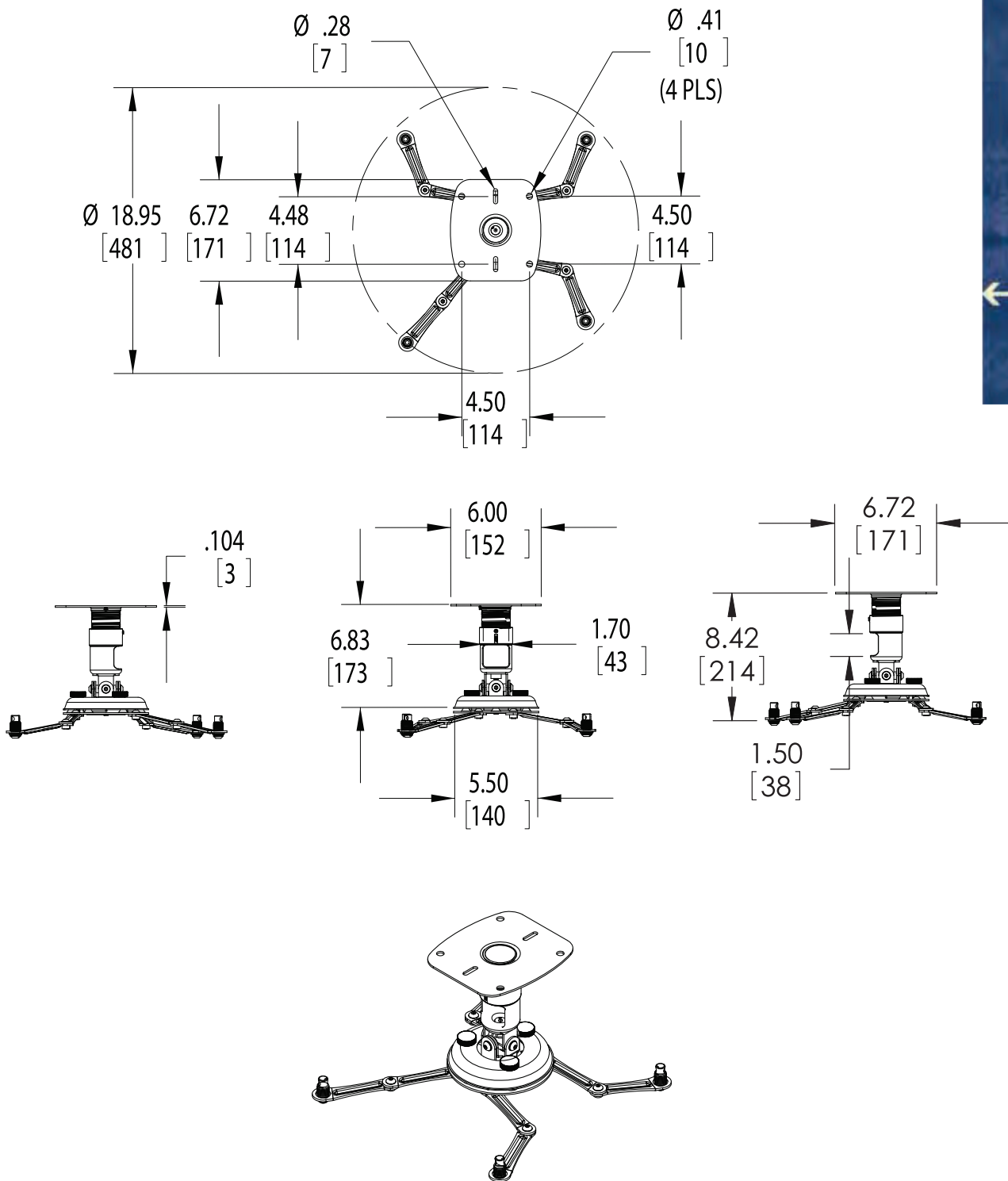
Use the APP-2446 for extended drops of 24" - 46".



For added protection, add our PP-SEC security device.



SPECIFICATIONS



Dimensions are in inches and millimeters [mm].
Drawings are subject to change without notice.

800.368.9700 | www.mounts.com



Free Manuals Download Website

<http://myh66.com>

<http://usermanuals.us>

<http://www.somanuals.com>

<http://www.4manuals.cc>

<http://www.manual-lib.com>

<http://www.404manual.com>

<http://www.luxmanual.com>

<http://aubethermostatmanual.com>

Golf course search by state

<http://golfingnear.com>

Email search by domain

<http://emailbydomain.com>

Auto manuals search

<http://auto.somanuals.com>

TV manuals search

<http://tv.somanuals.com>