

# Universal Projector Mounts

## PBL Series

The PBL Series of Universal Projector Mounts fit most projectors under 25 lbs. They feature four double-jointed support arms that allow flexible positioning to reach any mounting point.

This unique design can mate with our optional adjustable-height suspension adapter (APL-2647) to extend the length of the channel up to 47" from the ceiling. Cables can be routed inside channel for a neat appearance. Plus, it's backed by our industry-leading Lifetime Guarantee.



PBL Universal Mounts fit projectors up to 25 lbs

## Features

- Fits most projectors under 25 lbs
- +/-20° tilt and roll; 360° Rotation
- Mounts to walls and traditional, vaulted/cathedral ceilings
- Adjustable-height channel extends from 9"-12.5"
- Low-profile design (2.5")
- Cable management
- Lifetime Guarantee

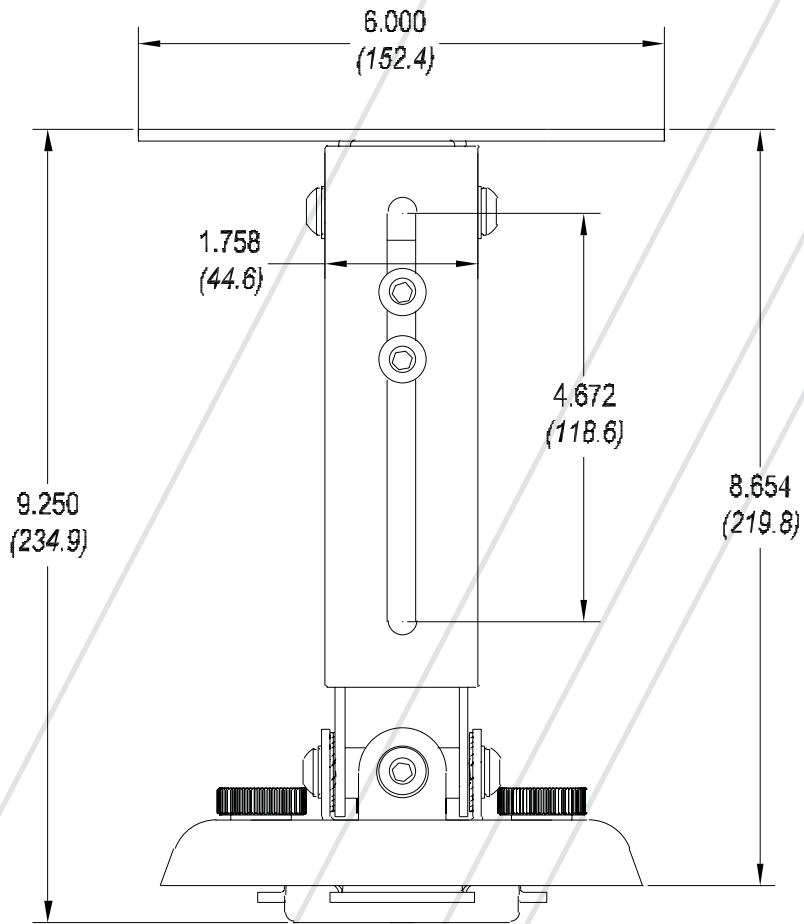


Remove channel for low profile look

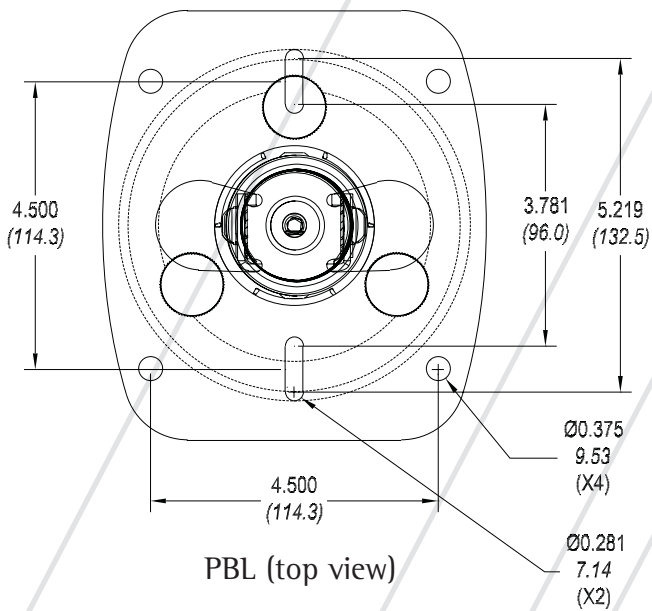
Rotate up to 360°



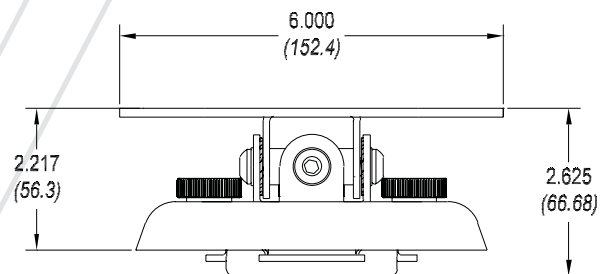
Model	Max Wt.	Color	UPC	Box Dimensions	Retail
PBL-UMP	25 LBS	Silver	829973203160	7.5x15x5	\$199.99
PBL-UMS	25 LBS	Dark Gray	829973203023	7.5x15x5	\$199.99
PBL-UMW	25 LBS	White	829973203030	7.5x15x5	\$199.99



PBL w/ channel (side view)



PBL (top view)



PBL w/out channel (side view)

\*Measurements are shown in inches and millimeters (mm)

**PREMIER MOUNTS™**  
 The original holding company  
 www.mounts.com • 800.368.9700

## Free Manuals Download Website

<http://myh66.com>

<http://usermanuals.us>

<http://www.somanuals.com>

<http://www.4manuals.cc>

<http://www.manual-lib.com>

<http://www.404manual.com>

<http://www.luxmanual.com>

<http://aubethermostatmanual.com>

Golf course search by state

<http://golfingnear.com>

Email search by domain

<http://emailbydomain.com>

Auto manuals search

<http://auto.somanuals.com>

TV manuals search

<http://tv.somanuals.com>