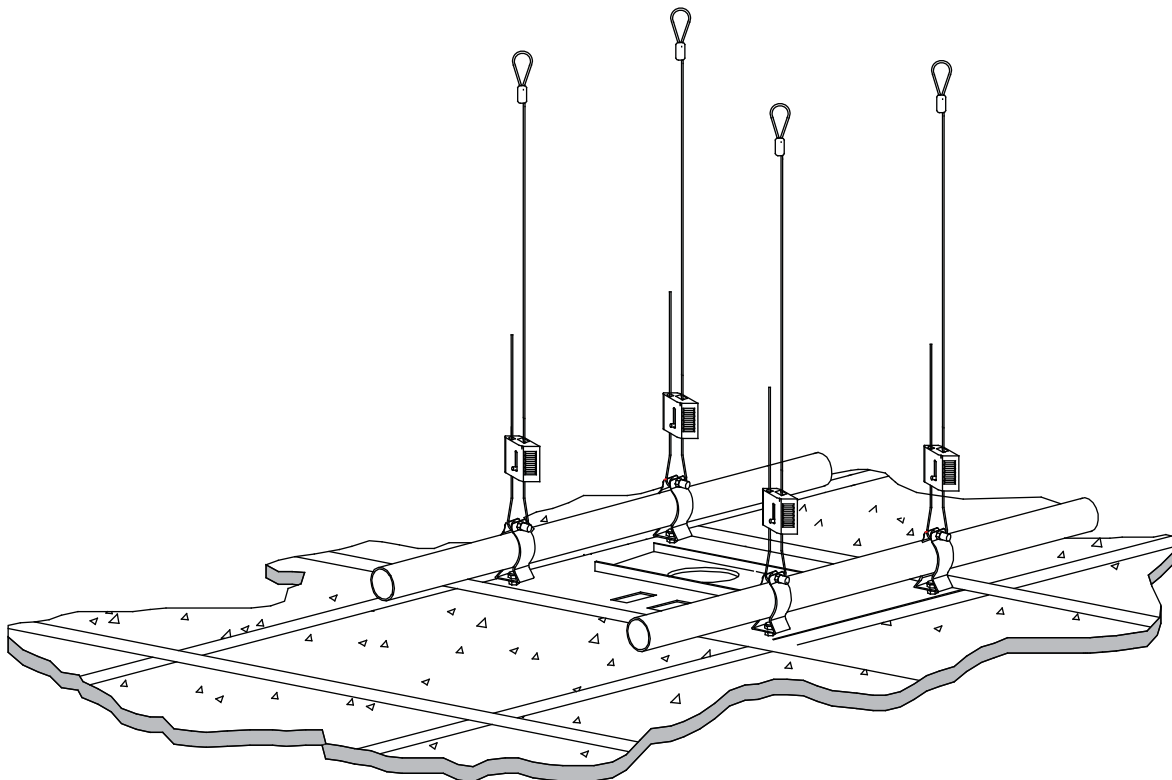


INSTALLATION INSTRUCTIONS



PP-FCMA-QL Suspended Ceiling Tile Adapter

NORTH AMERICA
3130 East Miraloma Avenue
Anaheim, CA 92806 USA
USA and Canada –
Phone: 800-368-9700
Fax: 800-832-4888

EUROPE
Swallow House,
Shilton Industrial Estate,
Shilton, Coventry, England CV79JY
Phone: +44 (0) 2476 614700
Fax: +44 (0) 2476 614710

Other Locations – Phone: (001)-714-632-7100; Fax: (001)-714-632-1044
©Premier Mounts 2008
9533-010-001-01



Table of Contents

Warning Statements..... 2

Parts List 3

Installation Tools..... 3

Ceiling Tile Removal..... 4

Ceiling Anchoring..... 5

PP-FCMA-QL Installation..... 6

Attaching Pipe Clamps..... 7

Attaching EMT Conduit Pipe (Optional) 7

Quick Lock Installation 8

Electrical Box Installation 10


PP-FCMA-QL Adjustments..... 10


Securing the Pipe to the PP-FCMA-QL..... 11


Technical Specifications..... 11

Warranty 12


Warning Statements


 PRIOR TO THE INSTALLATION OF THIS PRODUCT, THE INSTALLATION INSTRUCTIONS SHOULD BE READ AND COMPLETELY UNDERSTOOD. THE INSTALLATION INSTRUCTIONS MUST BE READ TO PREVENT PERSONAL INJURY AND PROPERTY DAMAGE. KEEP THESE INSTALLATION INSTRUCTIONS IN AN EASILY ACCESSIBLE LOCATION FOR FUTURE REFERENCE.


 PREMIER MOUNTS DOES NOT WARRANT AGAINST DAMAGE CAUSED BY THE USE OF ANY PREMIER MOUNTS PRODUCT FOR PURPOSES OTHER THAN THOSE FOR WHICH IT WAS DESIGNED OR DAMAGE CAUSED BY UNAUTHORIZED ATTACHMENTS OR MODIFICATIONS, AND IS NOT RESPONSIBLE FOR ANY DAMAGES, CLAIMS, DEMANDS, SUITS, ACTIONS OR CAUSES OF ACTION OF WHATEVER KIND RESULTING FROM, ARISING OUT OF OR IN ANY MANNER RELATING TO ANY SUCH USE, ATTACHMENTS OR MODIFICATIONS.


 THE SURFACE MUST BE CAPABLE OF SUPPORTING 250LBS. IF NOT, THE SURFACE STRUCTURE MUST BE REINFORCED. DO NOT HAND OR ATTACH MORE THAN 50LBS. TO THIS PRODUCT. PROPER INSTALLATION PROCEDURE BY A QUALIFIED SERVICE TECHNICIAN, AS OUTLINED IN THE INSTALLATION INSTRUCTIONS, MUST BE ADHERED TO. FAILURE TO DO SO COULD RESULT IN SERIOUS PERSONAL INJURY, OR EVEN DEATH.


 SAFETY MEASURES MUST BE PRACTICED AT ALL TIMES DURING THE ASSEMBLY OF THIS PRODUCT. USE PROPER SAFETY GEAR AND TOOLS FOR THE ASSEMBLY PROCEDURE TO PREVENT PERSONAL INJURY.


 At least two qualified people should perform the assembly procedure. Injury and/or damage can result from dropping or mishandling the product.

 If mounting to studs, make sure that the mounting screws are anchored into the center of the studs. Use of an edge-to-edge stud finder is recommended.

 Be aware of the mounting environment. If drilling and/or cutting into the mounting surface, always make sure that there are no electrical wires in the surface. Cutting/drilling into an electrical line may cause serious injury.

 This product is intended for indoor use only. Use of this product outdoors could lead to product failure and personal injury.

 Do not install near sources of high heat. Do not install on a structure that is prone to vibration, movement or chance of impact

 Contact Premier Mounts with any questions
 (800) 368-9700
 techsupport@mounts.com

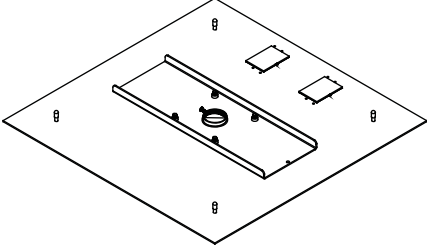
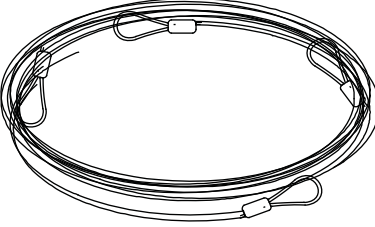
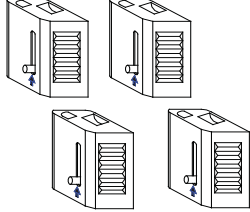
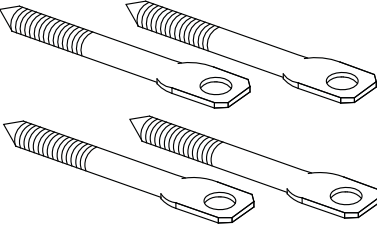
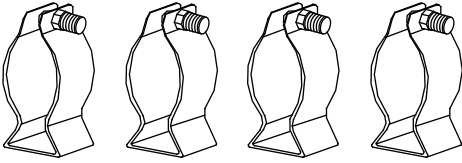
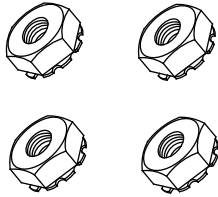
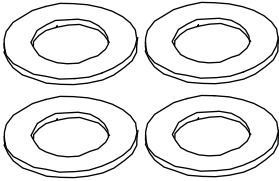
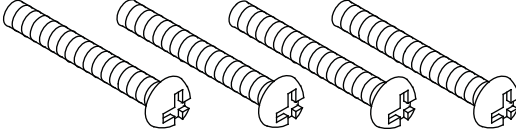
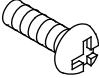
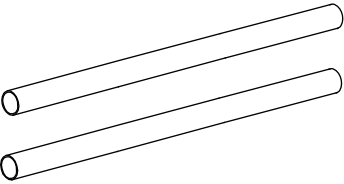
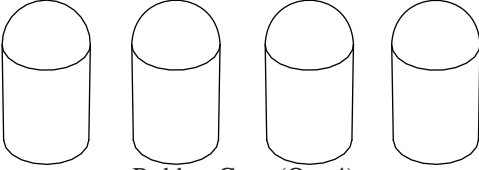

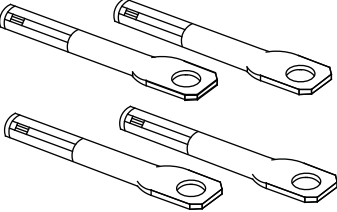


Parts List



NOTE

This ceiling adapter is shipped with all proper installation hardware and components. Make sure that none of these parts are missing and/or damaged before beginning installation. If there are parts missing and/or damaged, please stop the installation and contact Premier Mounts (800-368-9700).

 <p>PP-FCMA-QL(Qty 1)</p>	 <p>Braided Cable (Qty 4 Strands)</p>	 <p>Quick Locks (Qty 4)</p>
 <p>1/4" x 3" Eye Lag Screws (Qty 4)</p>	 <p>Pipe Clamp (Qty 4)</p>	 <p>1/4-20 KEP Nut (Qty 4)</p>
 <p>M8 Flat Washers (Qty 4)</p>	 <p>M8 x 20mm Phillips Head Screws (Qty 4)</p>	 <p>M5 x 16mm Phillips Head Screw (Qty 1)</p>
 <p>EMT Conduit Pipe (Optional - Qty 2) Commercially Available</p>	 <p>Rubber Caps (Qty 4)</p>	 <p>24" T-Bar Frame (Qty 1) Commercially Available</p>
 <p>1/4" x 3" Concrete Anchors (Qty 4)</p>		

Installation Tools

Phillips Head Screwdriver

Wire Cutters

Ladder



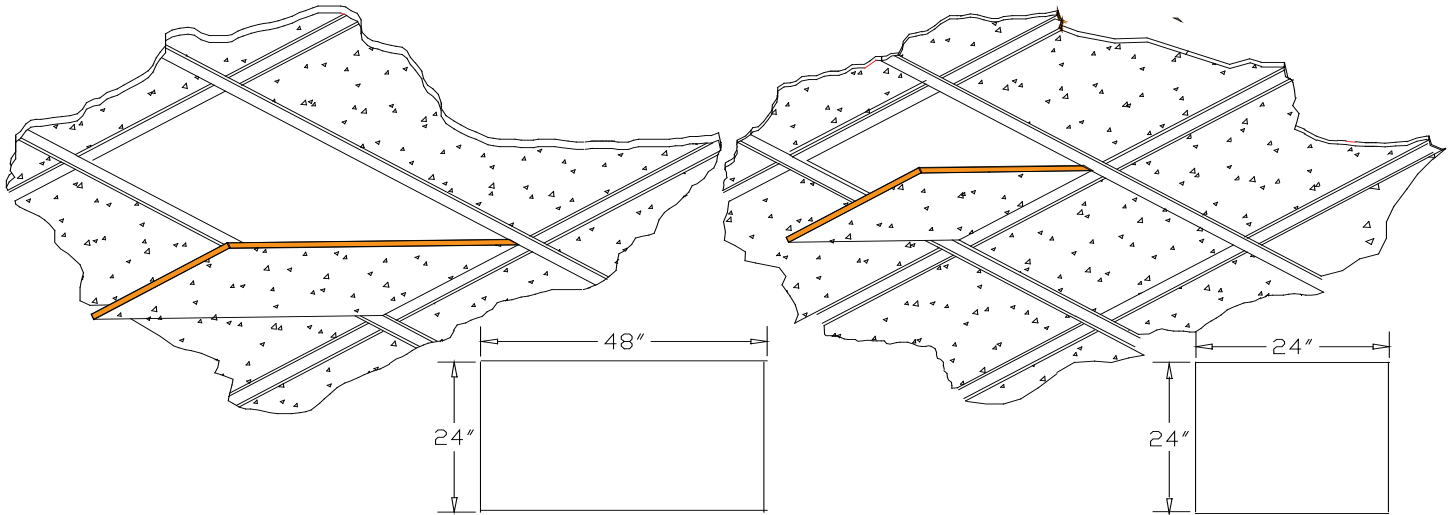
Ceiling Tile Removal



NOTE Read all cautions and warnings before continuing.



NOTE Observe the room and the ceiling; find the proper location for the PP-FCMA-QL placement and lightly mark the bottom of the tile.



Step 1. Carefully remove the 24" x 24" or, depending on your ceiling configuration, the 24" x 48" suspended ceiling tiles.

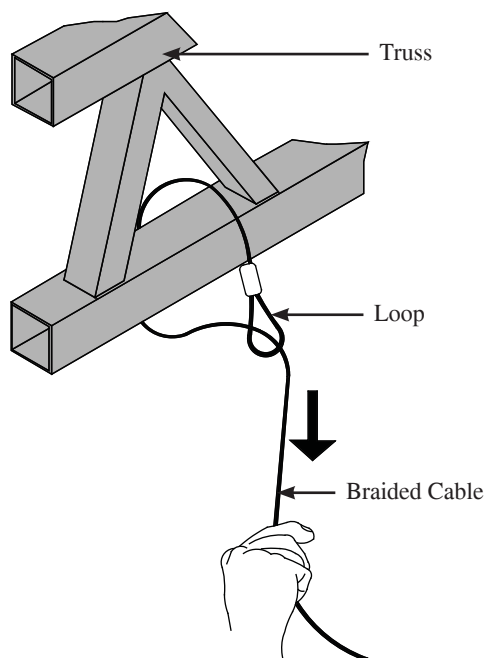
Ceiling Anchoring



WARNING

THE PP-FCMA-QL MUST SECURED USING THE SUPPLIED QUICK LOCKS AND BRAIDED CABLES.

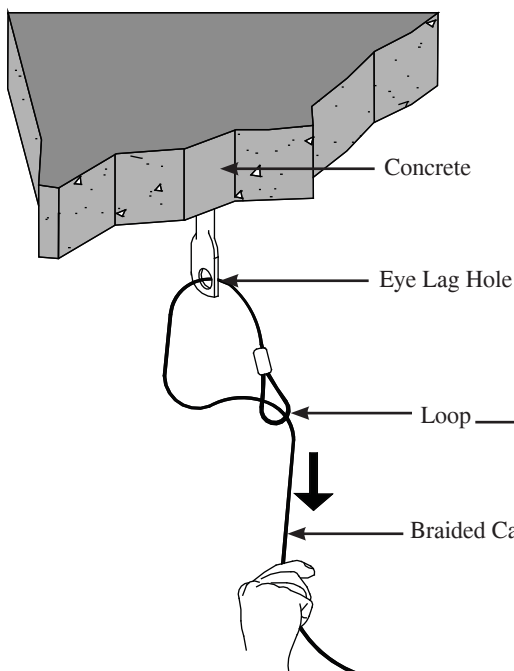
Truss



Truss ceiling

- Step 1.** Loop the braided cable around the truss.
- Step 2.** Run the open end through the loop.
- Step 3.** Pull the open end down until the braided cable tightens around the truss.

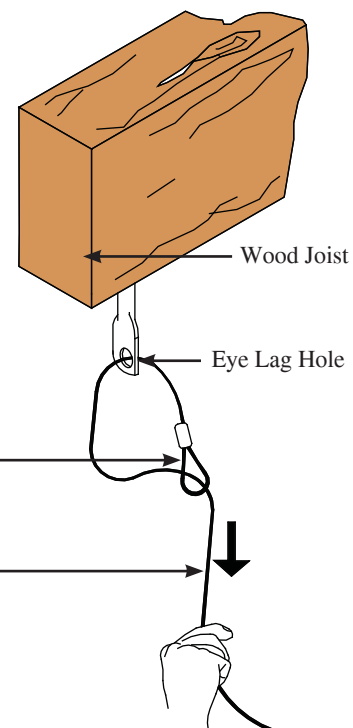
Concrete



Concrete

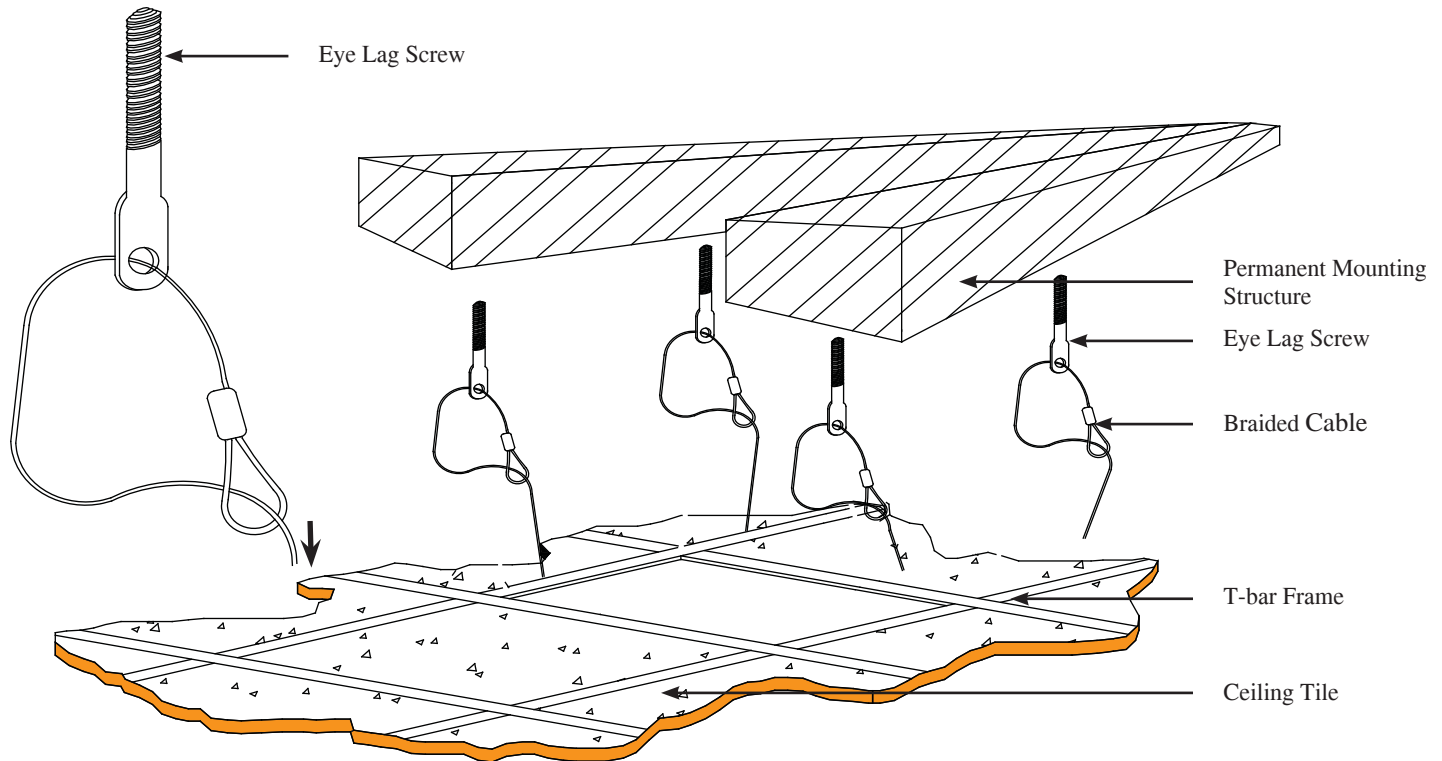
- Step 1.** Determine the mounting location.
- Step 2.** Use a 1/4" masonry drill bit to pre-drill the mounting holes.
- Step 3.** Place the concrete anchor into the pre-drilled hole and gently tap into place using a rubber mallet or hammer.

Wood



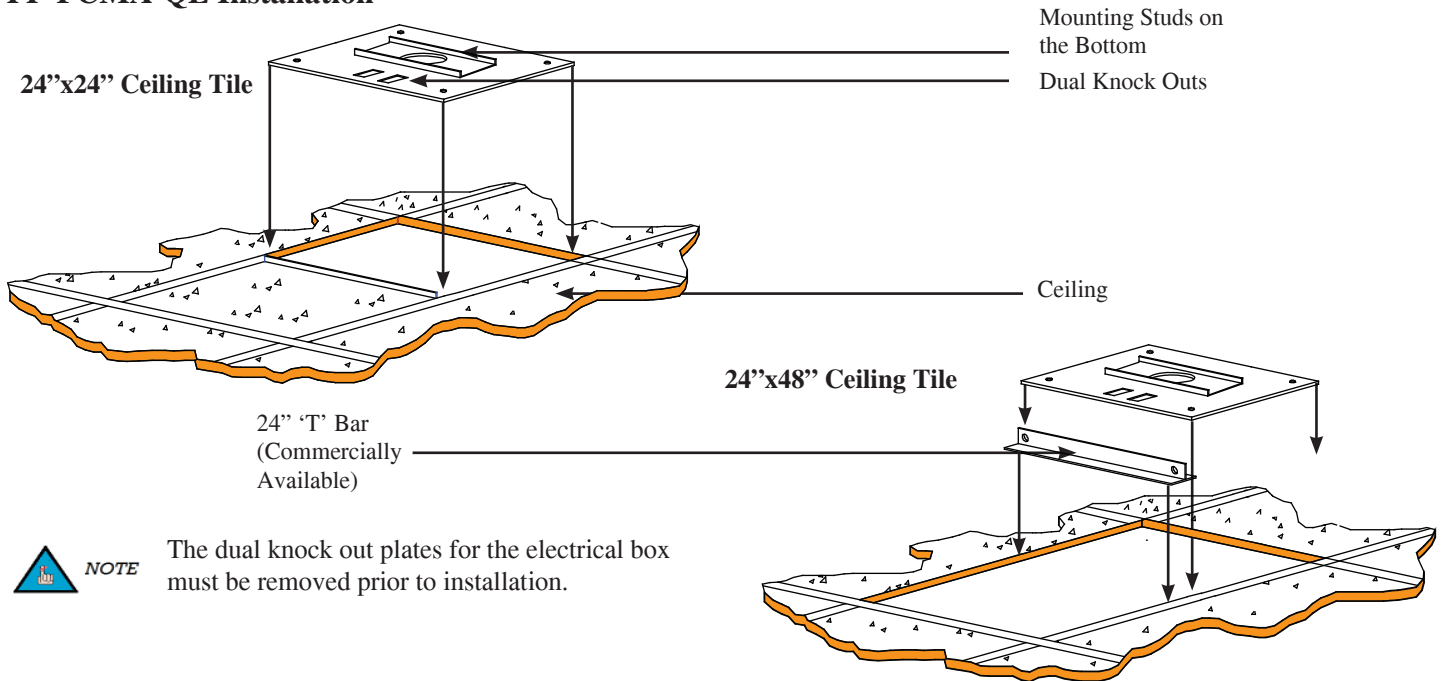
Wood Joist

- Step 1.** Secure the four (4) 1/4" eye lag screws to the wood joist in the ceiling.
- Step 2.** Make sure eye lag screws are properly secured to the joist before securing the wire to the cable locks on the plate.
- Step 3.** Run the open end through the hole in the eye lag screw.
- Step 4.** Run the open end through the loop.
- Step 5.** Pull the open end down until the braided cable tightens around the eye lag screw.



- Step 1.** Attach the braided cable, using the directions on page 5, in the appropriate manner for your mounting configuration.
Step 2. Let the four (4) strands of braided cable hang down off to one side of the opening in the ceiling.

PP-FCMA-QL Installation



NOTE The dual knock out plates for the electrical box must be removed prior to installation.

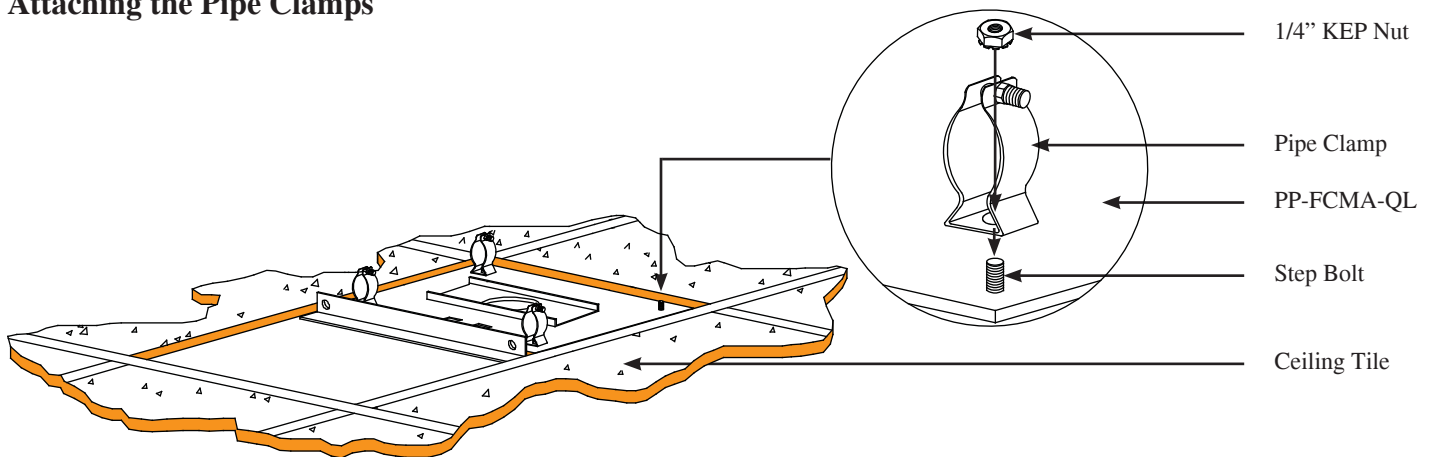
- Step 1.** Install the PP-FCMA-QL plate securely onto the T-bar framework with the mounting studs face down (according to your installation configuration).



NOTE In the event that you are using the PP-FCMA-QL in an opening that is 24'' x 48'', a 24'' piece of T-bar (commercially available) must be used to support the mount and ceiling tile. The T-bar (commercially available) will run from side to side and help support the PP-FCMA-QL and 24'' x 24'' replacement ceiling tile (commercially available).

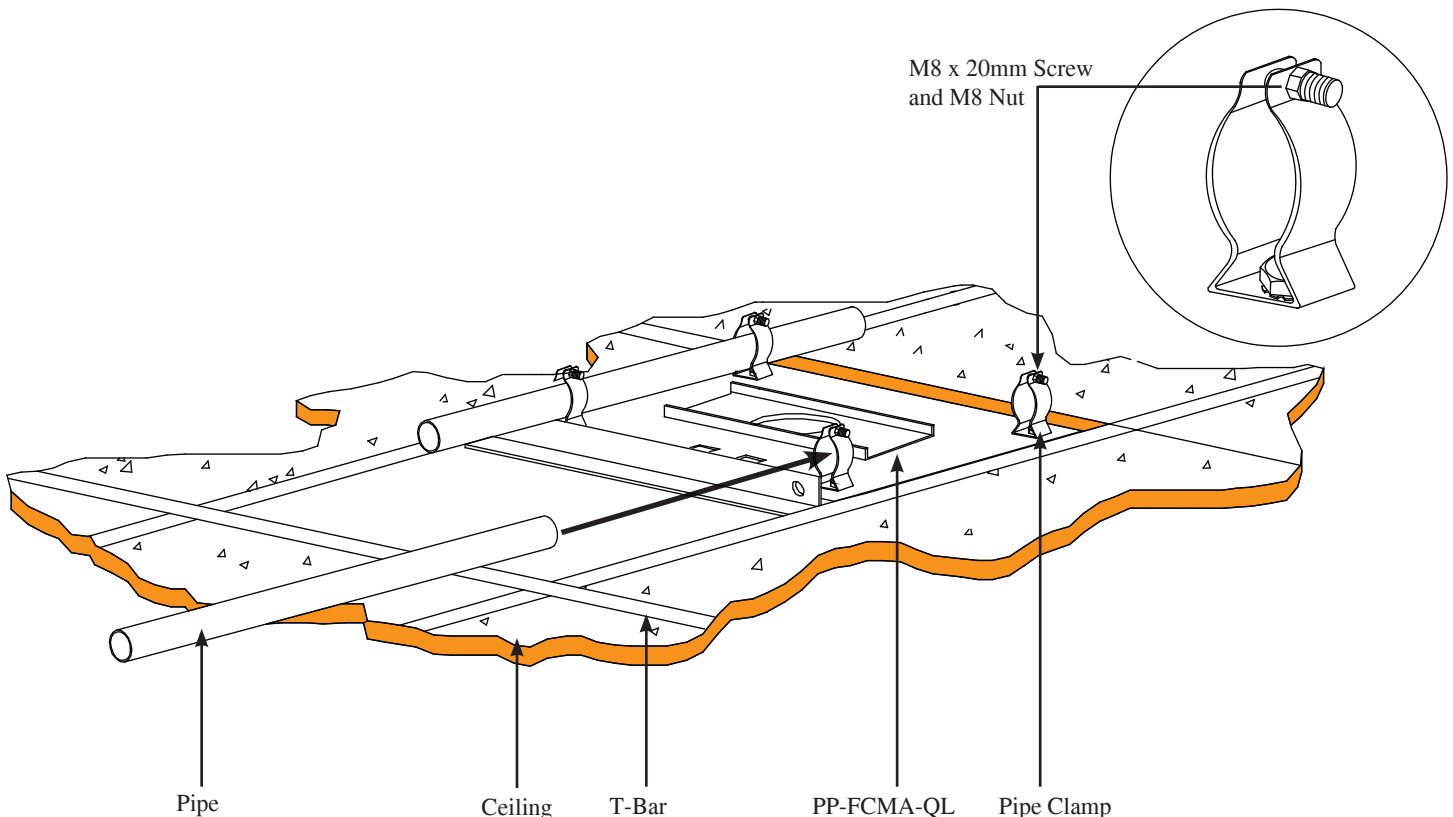


Attaching the Pipe Clamps



- Step 1.** Locate the pre-installed step bolts that are on the PP-FCMA-QL.
- Step 2.** Remove the four (4) black rubber caps from the step bolts.
- Step 3.** Lower the pipe clamp onto the step bolt.
- Step 4.** Secure the pipe clamp to the PP-FCMA-QL using a 1/4" KEP nut (see above).
- Step 5.** Tighten all hardware with a wrench (commercially available).
- Step 6.** Re-attach the four (4) black rubber caps onto the step bolts.
- Step 7.** Repeat steps 1 through 3 for the remaining pipe clamp installation.

Attaching the EMT Conduit Pipe (Optional)



- Step 1.** For added security, slide two (2) 3/4" EMT conduit pipe (commercially available) through the pipe clamps.
- Step 2.** Once the EMT conduit pipe (commercially available) is installed, use a screwdriver to tighten the four (4) M8 x 20mm Phillips head screws and four (4) M8 nuts.



NOTE The EMT conduit pipe must cross over two sections of the T-bar framework on both sides of the pipe clamps.



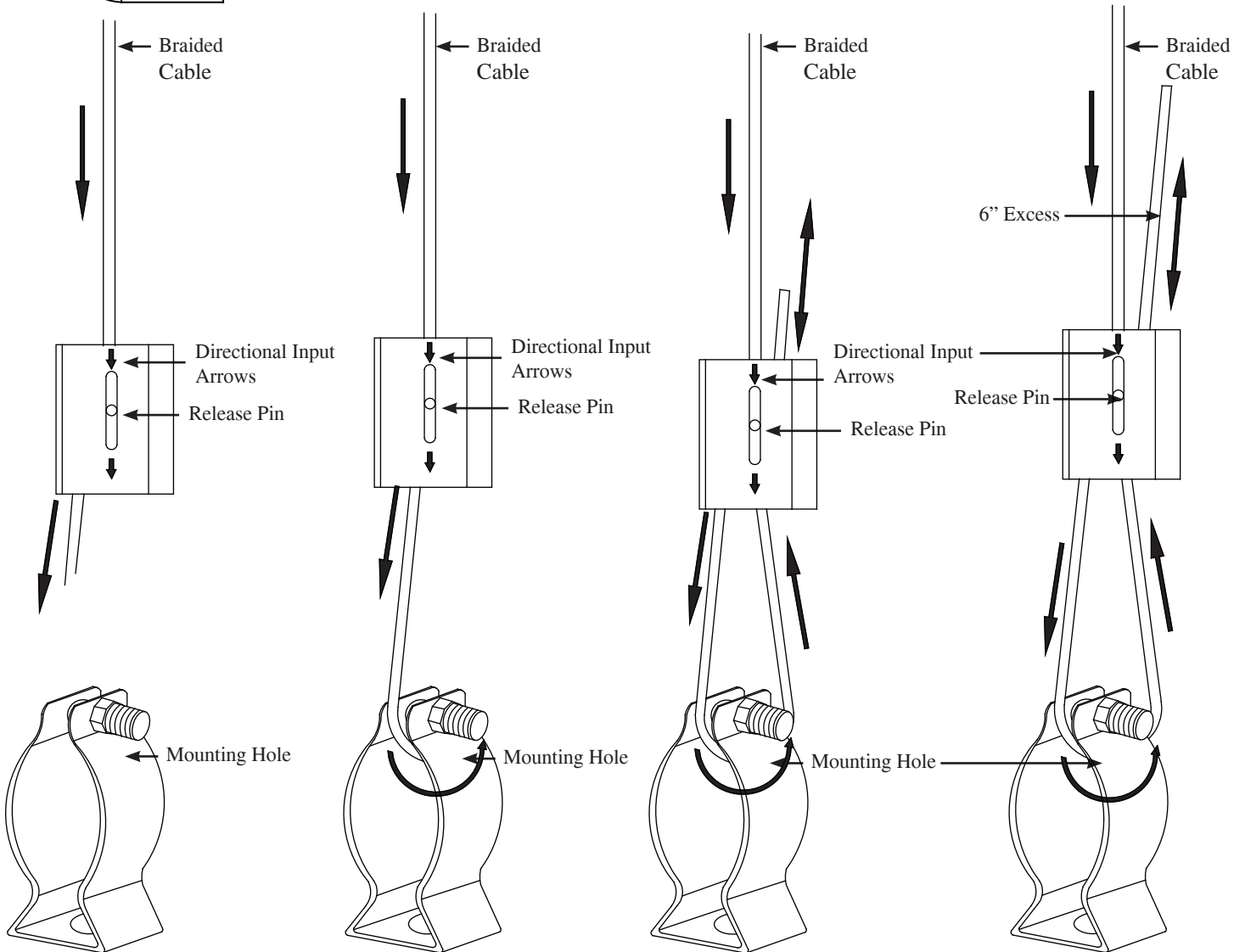
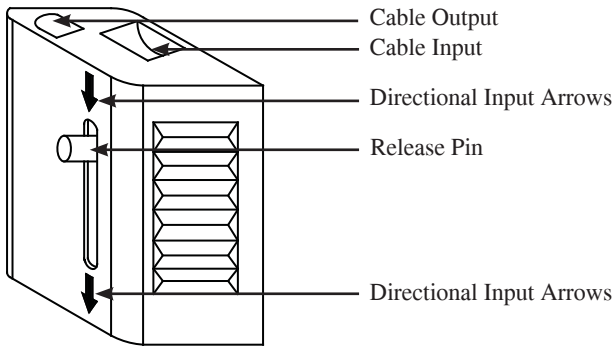
Quick Lock Installation

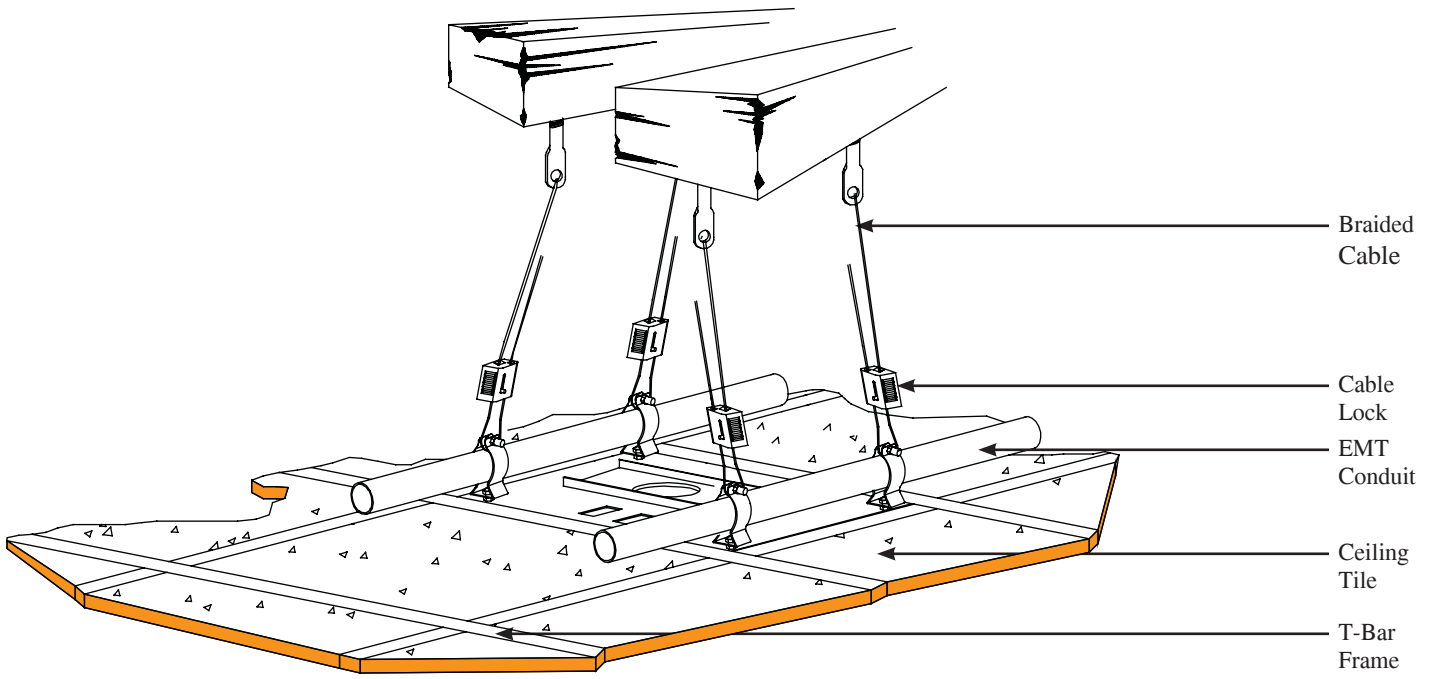


CAUTION Re-check all hardware and installation for proper tightness and security and replace the tile.

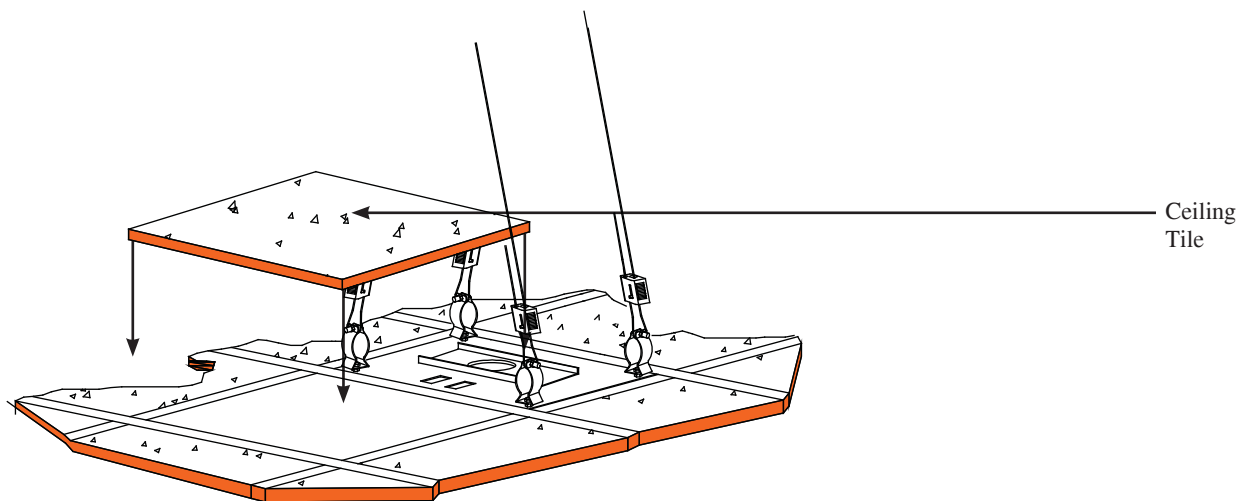


Feed braided cable into the cable lock (see directional input arrows). To release the braided cable, slide the release pin to disengage the braided cable.





- Step 1.** Once the braided cables have been attached to the upper mounting structure (wood joist, concrete or ceiling truss), it is now time to attach the braided cable to the PP-FCMA-QL.
- Step 2.** Thread each braided cable through the Quick Lock (see previous page).
- Step 3.** Loop the braided cables through the space between the EMT conduit pipe and the top of the pipe clamp (see previous page).
- Step 4.** When adjusting the tension of the weight-bearing side of the Quick Lock, the cable must be pulled through the Quick Lock until the desired tension is attained. Once attained, pull the braided cable through the other side of the Quick Lock (see previous page).
- Step 5.** Once the tension has been adjusted, be sure that there is at least 6" of excess braided cable on the non-weight bearing side of the Quick Lock.
- Step 6.** Use cable cutters to remove any remaining braided cable (optional).



NOTE

If you chose to use the optional EMT conduit pipe, the ceiling tiles where the EMT conduit pipe crosses over must be installed prior to installing the EMT conduit pipe.

- Step 7.** Reinstall the ceiling tile.



Electrical Box Installation

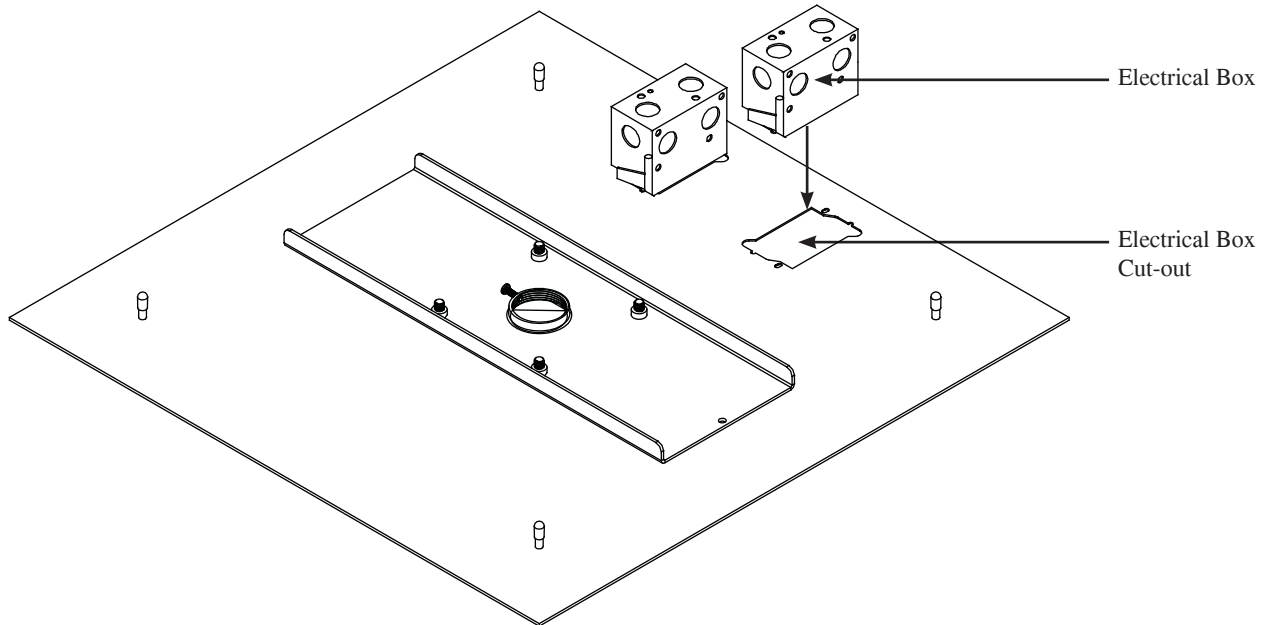


NOTE Electrical installation should be done in accordance to local codes and regulations.

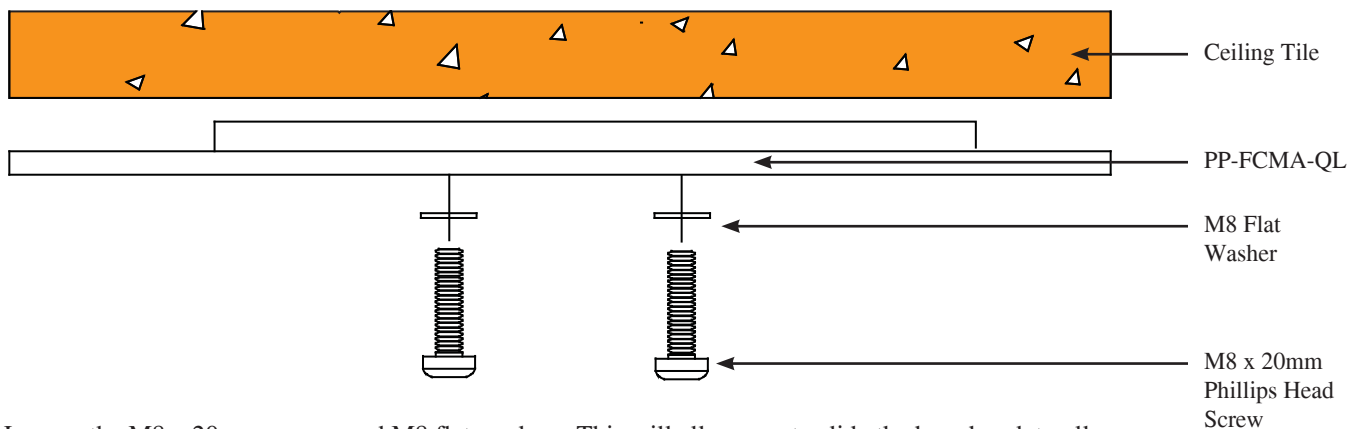
Step 1. Cut the tile where the electrical base box is going to be secured.

Step 2. Using (commercially available) hardware depending on electrical installation environment, install the electrical box and secure it to the plate.

Step 3. Make all electrical connections at this time.



PP-FCMA-QL Adjustments



Step 1. Loosen the M8 x 20mm screws and M8 flat washers. This will allow you to slide the base box laterally.



NOTE Please refer to the purchased base box for further operating instructions.

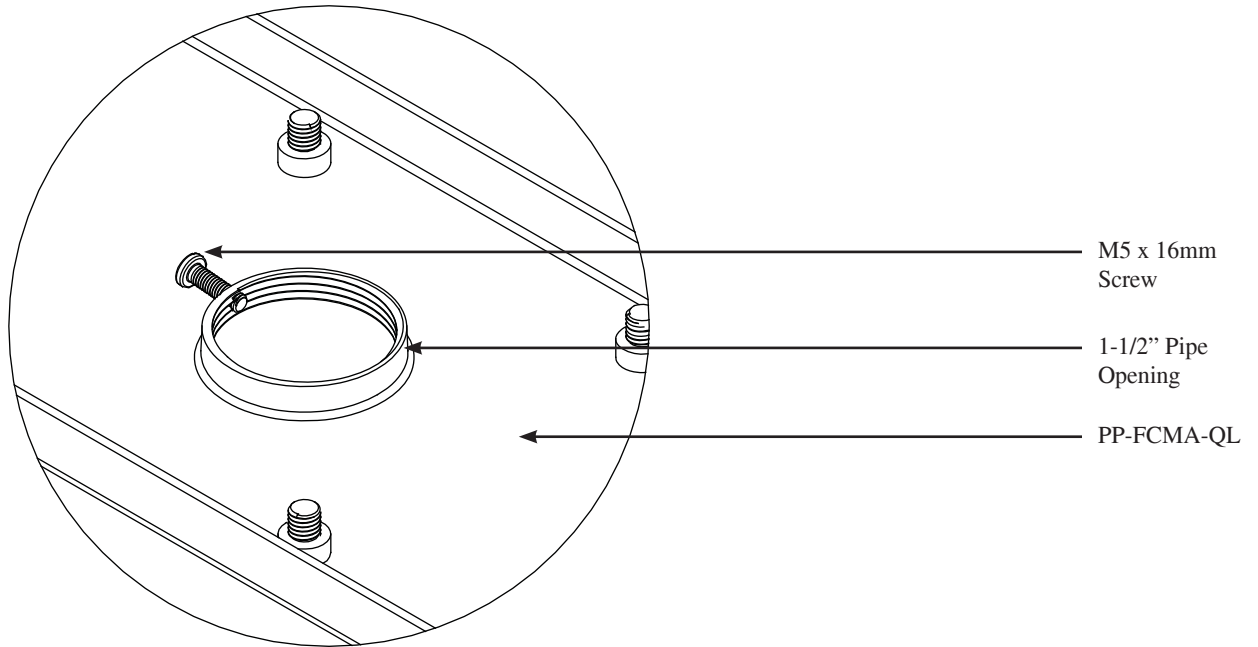


Securing Pipe to the PP-FCMA-QL

Step 1. Secure the 1½” (NPT) pipe to the ceiling plate and tighten by using one (1) M5 x 16 Phillips head screw (supplied) to the plate.

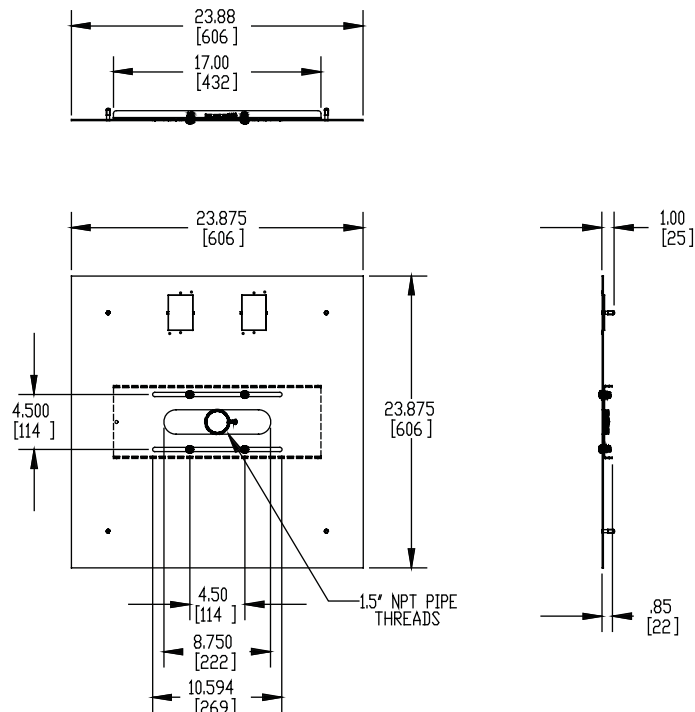


CAUTION The M5 x 16 Phillip head screw must be used to stabilize the 1½” (NPT) pipe.



Technical Specifications

All measurements are in inches (mm).





Warranty

PREMIER MOUNTS LIMITED LIFETIME WARRANTY

What and Who is Covered by this Limited Warranty and for How Long

Premier Mounts warrants this product to be free from defects in material and workmanship for the lifetime of the original owner of this product. The limited warranty is valid only for the original purchaser of the product.

What Premier Mounts Will Do

At the sole option of Premier Mounts, Premier Mounts will repair or replace any product or product part that is defective. If Premier Mounts chooses to replace a defective product or part, a replacement product or part will be shipped to you at no charge, but you must pay any labor costs.

What is Not Covered; Limitations

PREMIER MOUNTS DISCLAIMS ANY LIABILITY FOR DAMAGE TO MOUNTS, ADAPTERS, DISPLAYS, PROJECTORS, OTHER PROPERTY, OR PERSONAL INJURY RESULTING, IN WHOLE OR IN PART, FROM IMPROPER INSTALLATION, MODIFICATION, USE OR MISUSE OF ITS PRODUCTS.

PREMIER MOUNTS DISCLAIMS ALL OTHER WARRANTIES, EXPRESS OR IMPLIED, INCLUDING WARRANTIES OF MERCHANTABILITY AND FITNESS FOR A PARTICULAR PURPOSE. PREMIER MOUNTS IS NOT RESPONSIBLE FOR INCIDENTAL OR CONSEQUENTIAL DAMAGES, INCLUDING BUT NOT LIMITED TO, INABILITY TO USE ITS PRODUCTS OR LABOR COSTS FOR REMOVING AND REPLACING DEFECTIVE PRODUCTS OR PARTS. SOME STATES DO NOT ALLOW THE EXCLUSION OR LIMITATION OF INCIDENTAL OR CONSEQUENTIAL DAMAGES, SO THE ABOVE LIMITATION OR EXCLUSION MAY NOT APPLY TO YOU.

What Customers Must Do for Limited Warranty Service

If you discover a problem that you think may be covered by the warranty you **MUST REPORT** it in writing to the address below within thirty (30) days. Proof of purchase (an original sales receipt) from the original consumer purchaser must accompany all warranty claims. Warranty claims must also include a description of the problem, the purchaser's name, address, and telephone number. General inquiries can be addressed to Premier Mounts Customer Service at 1-800-368-9700. Warranty claims will not be accepted over the phone or by fax.

Premier Mounts
Attn: Warranty Claim
3130 E. Miraloma Avenue
Anaheim, CA 92806

How State Law Applies

THIS WARRANTY GIVES YOU SPECIFIC LEGAL RIGHTS, AND YOU MAY ALSO HAVE OTHER RIGHTS WHICH VARY FROM STATE TO STATE.

Free Manuals Download Website

<http://myh66.com>

<http://usermanuals.us>

<http://www.somanuals.com>

<http://www.4manuals.cc>

<http://www.manual-lib.com>

<http://www.404manual.com>

<http://www.luxmanual.com>

<http://aubethermostatmanual.com>

Golf course search by state

<http://golfingnear.com>

Email search by domain

<http://emailbydomain.com>

Auto manuals search

<http://auto.somanuals.com>

TV manuals search

<http://tv.somanuals.com>