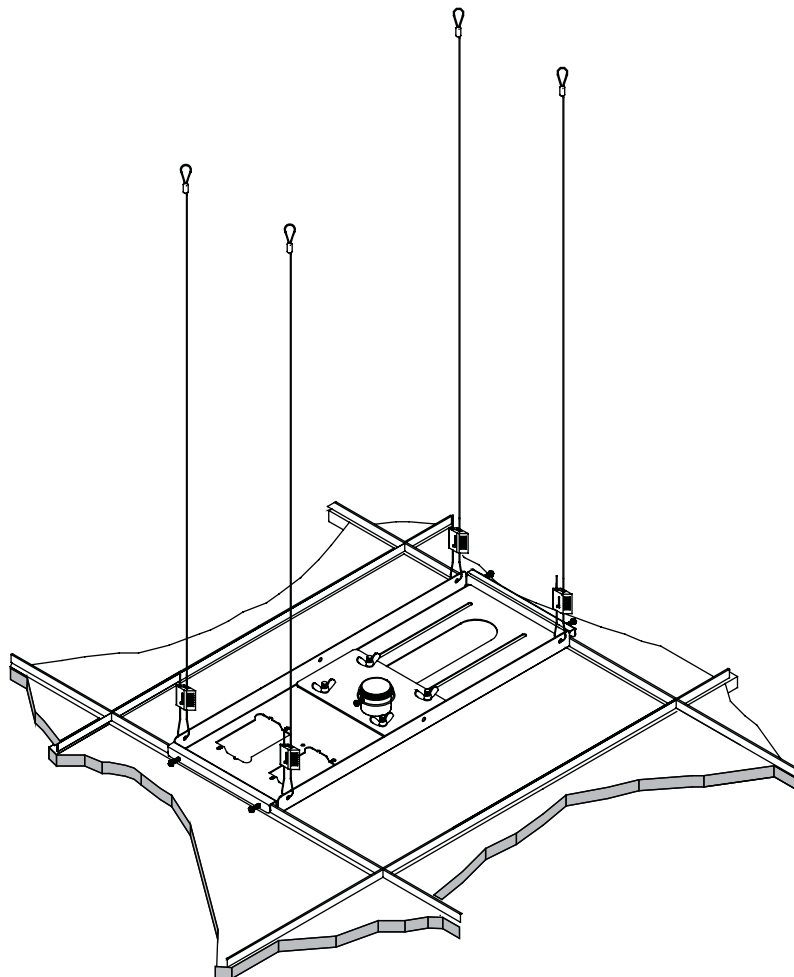


INSTALLATION INSTRUCTIONS



PP-FCTA-QL Ceiling Adapter

NORTH AMERICA

3130 East Miraloma Avenue
Anaheim, CA 92806 USA
USA and Canada –
Phone: 800-368-9700
Fax: 800-832-4888

EUROPE

Swallow House,
Shilton Industrial Estate,
Shilton, Coventry, England CV79JY
Phone: +44 (0) 2476 614700
Fax: +44 (0) 2476 614710

Other Locations – Phone: (001)-714-632-7100; Fax: (001)-714-632-1044
©Premier Mounts 2008
9533-030-001-01



Table of Contents

Warning Statements..... 2

Parts List 3

Installation Tools..... 3

Plate Assembly..... 4

Securing the Plate 5

Electrical Box Installation..... 5

Ceiling Anchoring..... 7

Cable Lock Operation 8


Securing Pipe to PP-FCTA-QL..... 10


Technical Specifications..... 10

Warranty..... 11


Warning Statements


 PRIOR TO THE INSTALLATION OF THIS PRODUCT, THE INSTALLATION INSTRUCTIONS SHOULD BE READ AND COMPLETELY UNDERSTOOD. THE INSTALLATION INSTRUCTIONS MUST BE READ TO PREVENT PERSONAL INJURY AND PROPERTY DAMAGE. KEEP THESE INSTALLATION INSTRUCTIONS IN AN EASILY ACCESSIBLE LOCATION FOR FUTURE REFERENCE.


 PREMIER MOUNTS DOES NOT WARRANT AGAINST DAMAGE CAUSED BY THE USE OF ANY PREMIER MOUNTS PRODUCT FOR PURPOSES OTHER THAN THOSE FOR WHICH IT WAS DESIGNED OR DAMAGE CAUSED BY UNAUTHORIZED ATTACHMENTS OR MODIFICATIONS, AND IS NOT RESPONSIBLE FOR ANY DAMAGES, CLAIMS, DEMANDS, SUITS, ACTIONS OR CAUSES OF ACTION OF WHATEVER KIND RESULTING FROM, ARISING OUT OF OR IN ANY MANNER RELATING TO ANY SUCH USE, ATTACHMENTS OR MODIFICATIONS.

 THE SURFACE MUST BE CAPABLE OF SUPPORTING 250LBS. IF NOT, THE SURFACE STRUCTURE MUST BE REINFORCED. DO NOT HAND OR ATTACH MORE THAN 50LBS. TO THIS PRODUCT. PROPER INSTALLATION PROCEDURE BY A QUALIFIED SERVICE TECHNICIAN, AS OUTLINED IN THE INSTALLATION INSTRUCTIONS, MUST BE ADHERED TO. FAILURE TO DO SO COULD RESULT IN SERIOUS PERSONAL INJURY, OR EVEN DEATH.

 SAFETY MEASURES MUST BE PRACTICED AT ALL TIMES DURING THE ASSEMBLY OF THIS PRODUCT. USE PROPER SAFETY GEAR AND TOOLS FOR THE ASSEMBLY PROCEDURE TO PREVENT PERSONAL INJURY.


 At least two qualified people should perform the assembly procedure. Injury and/or damage can result from dropping or mishandling the product.

 If mounting to studs, make sure that the mounting screws are anchored into the center of the studs. Use of an edge-to-edge stud finder is recommended.

 Be aware of the mounting environment. If drilling and/or cutting into the mounting surface, always make sure that there are no electrical wires in the surface or utility pipe. Cutting/drilling into an electrical line may cause serious injury or property damage.

 This product is intended for indoor use only. Use of this product outdoors could lead to product failure and personal injury.

 Do not install near sources of high heat. Do not install on a structure that is prone to vibration, movement or chance of impact

 Contact Premier Mounts with any questions
 (800) 368-9700
 techsupport@mounts.com

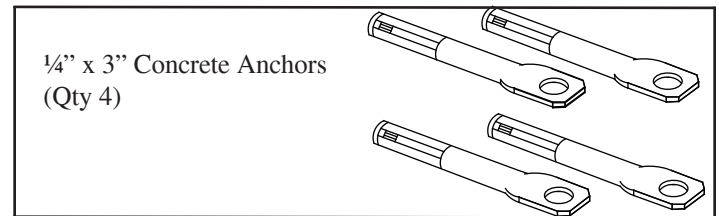
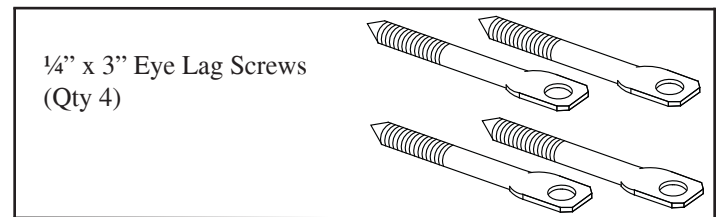
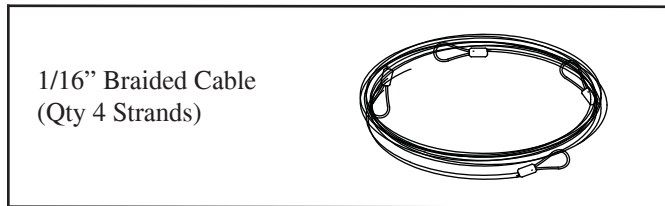
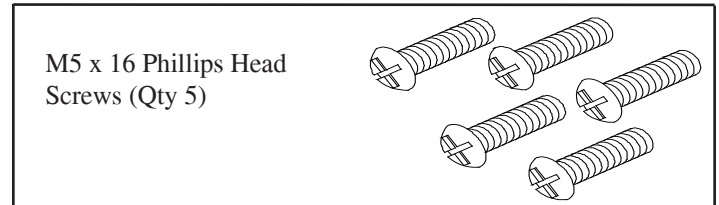
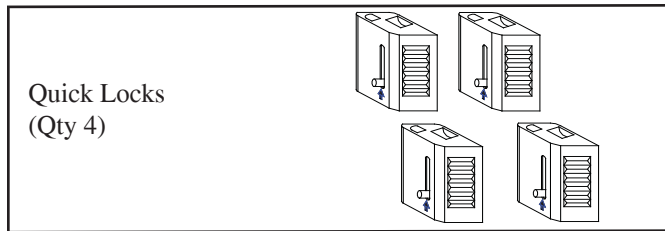
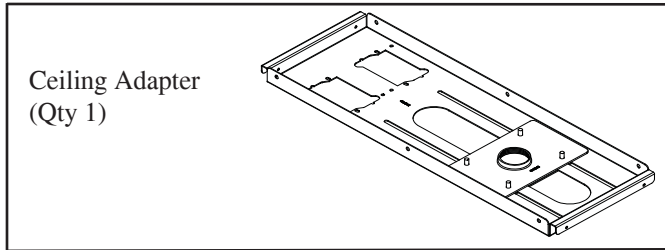


Parts List



NOTE

This ceiling adapter comes packaged with installation hardware and components. Make sure that none of these parts are missing and/or damaged before beginning installation. If there are parts missing and/or damaged, please stop the installation and contact Premier Mounts (800-368-9700).



Installation Tools

Phillips Head Screwdriver

Cable Cutters

Ladder

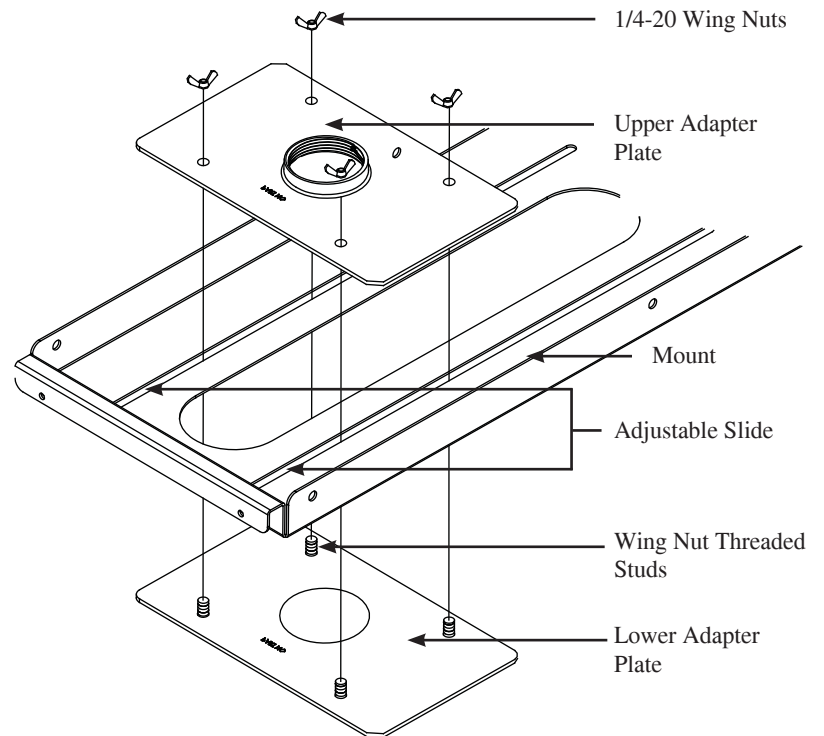


Plate Assembly

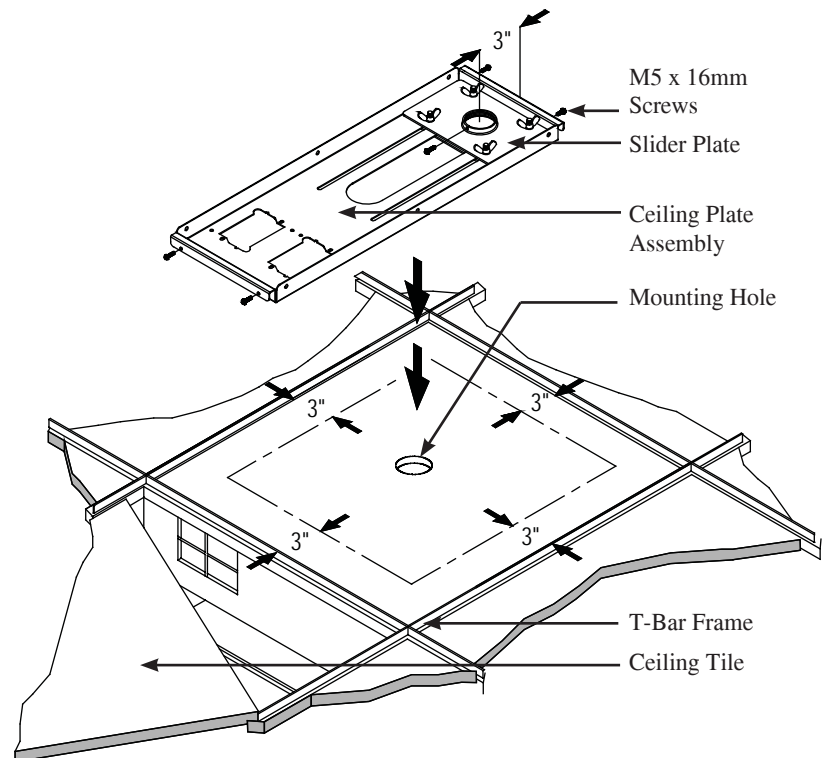


NOTE Read all cautions and warnings before continuing.

- Step 1.** Assemble the plate.
- Step 2.** Place the lower adapter plate with the threaded studs on it up through mounting plate.
- Step 3.** The threaded studs will align with the adjustable slide on the mount.
- Step 4.** Once the two pieces are together, align the mounting holes on the upper adapter plate with the threaded shafts of the lower adapter plate.
- Step 5.** Place the three units together and loosely attach four (4) 1/4-20 wing nuts onto the threaded shafts.

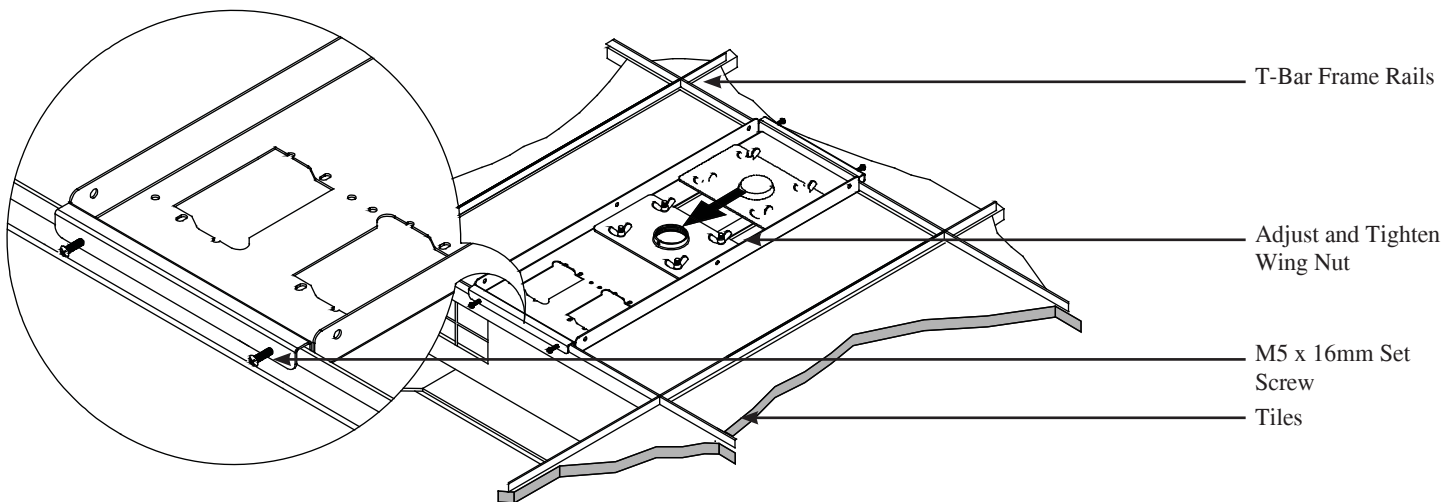


- Step 6.** Pre-set the M5 x 16 Phillips screws (two on each outer ends) of the plate and one (1) on the 1/2" NPT coupler.
- Step 7.** Observe the room and the ceiling; find the most appropriate location for the projector placement and lightly mark the bottom of the tile.
- Step 8.** Remove any of the 24" x 24" or 24" x 48" tiles that are surrounding the marked tile.
- Step 9.** Measure 3" from the edge of the t-bar to the inside of the tile (do this for all four edges of the ceiling tile).
- Step 10.** The mounting hole should be located in the center-most location of the ceiling tile.
- Step 11.** Once the mounting hole has been cut, place the ceiling plate assembly on the t-bar rails.





Securing the Plate



Step 1. Position and slide the adapter plate to the hole and secure the ceiling plate to the rails by tightening the four (4) M5 x 16mm Phillips head screws.

Step 2. Center the stud plate to the hole and secure the plate by tightening the four wing nuts..

Electrical Box Installation

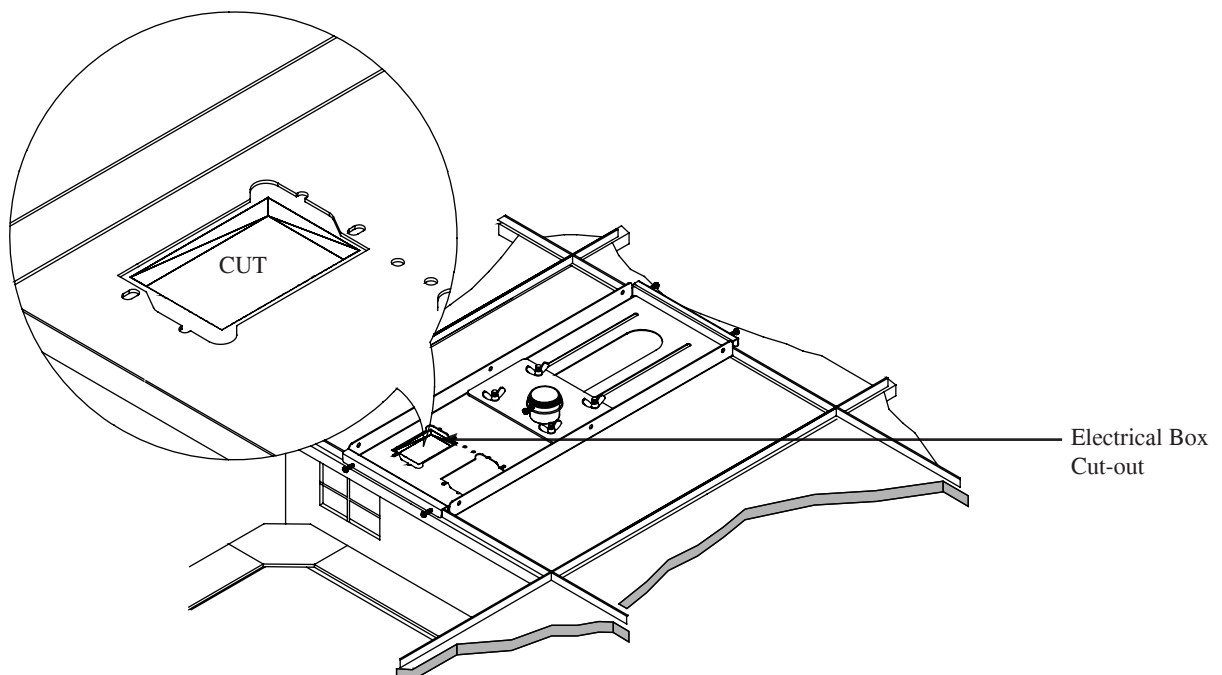


NOTE Electrical installation should be done in accordance to local codes and regulations.

Step 1. Cut the tile where the electrical base box is going to be secured.

Step 2. Using (commercially available) hardware depending on electrical installation environment, install the electrical box and secure it to the plate.

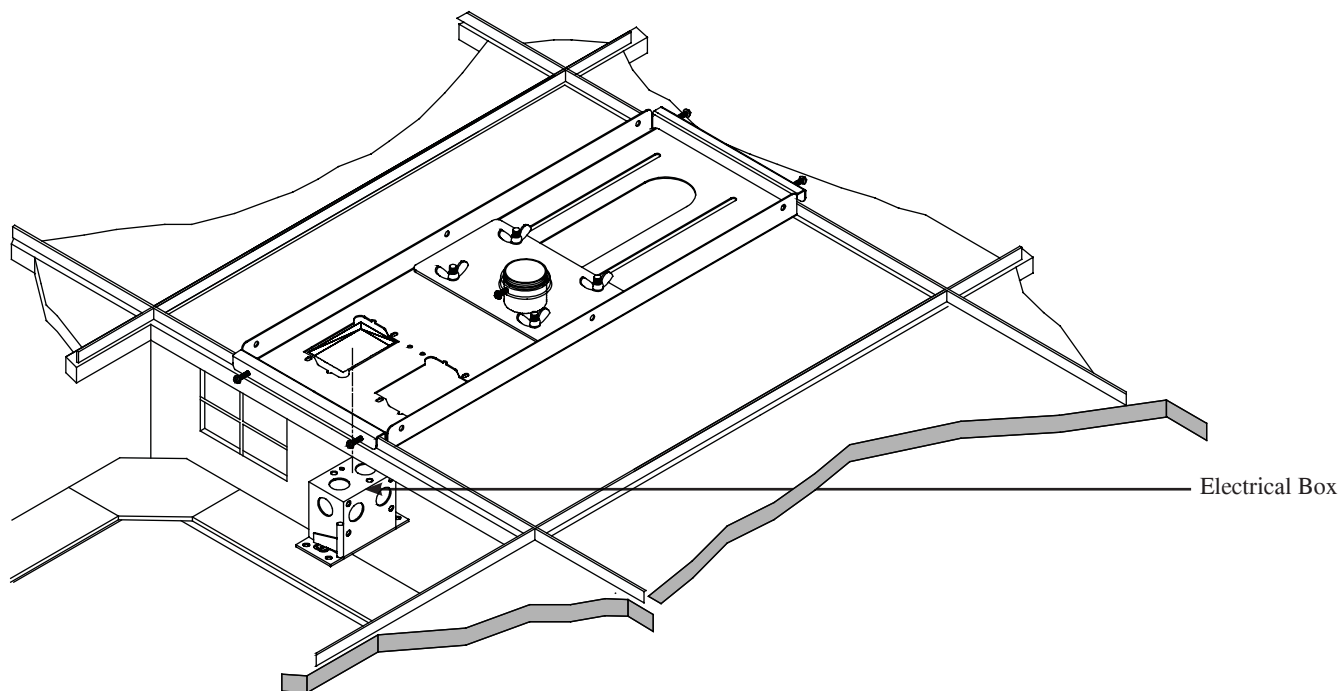
Step 3. Make all electrical connections at this time.





NOTE

The electrical cut-outs allow for both single and square electrical box installations.



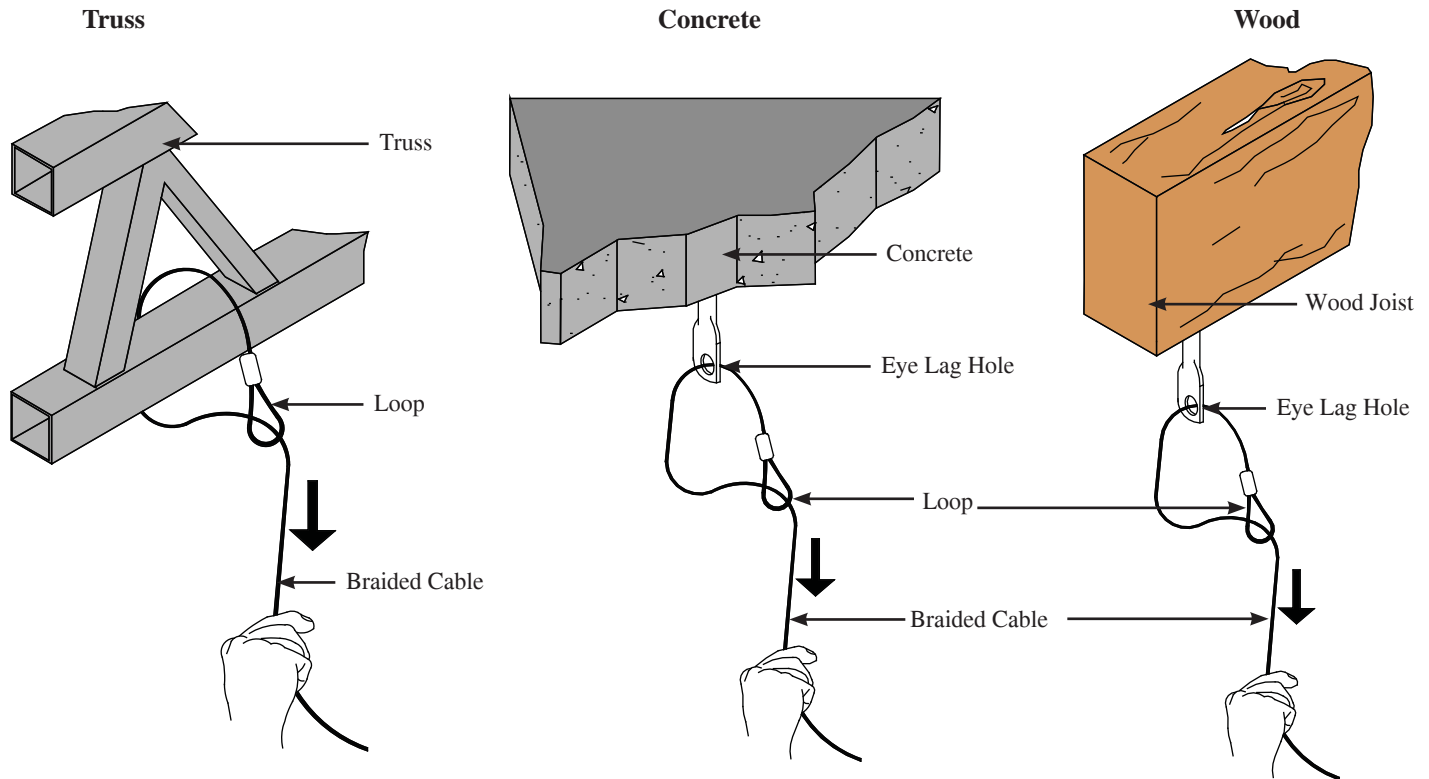


Ceiling Anchoring



WARNING

THE PP-FCTA-QL MUST SECURED USING THE SUPPLIED QUICK LOCKS AND BRAIDED CABLES.



Truss ceiling

- Step 1.** Loop the braided cable around the truss.
- Step 2.** Run the open end through the loop.
- Step 3.** Pull the open end down until the braided cable tightens around the truss.

Concrete

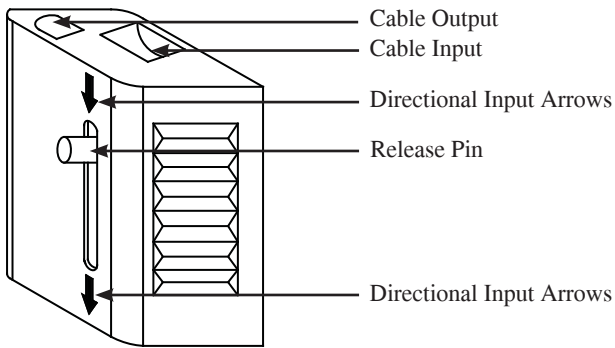
- Step 1.** Determine the mounting location.
- Step 2.** Use a 1/4" masonry drill bit to pre-drill the mounting holes.
- Step 3.** Place the concrete anchor into the pre-drilled hole and gently tap into place using a rubber mallet or hammer.

Wood joist

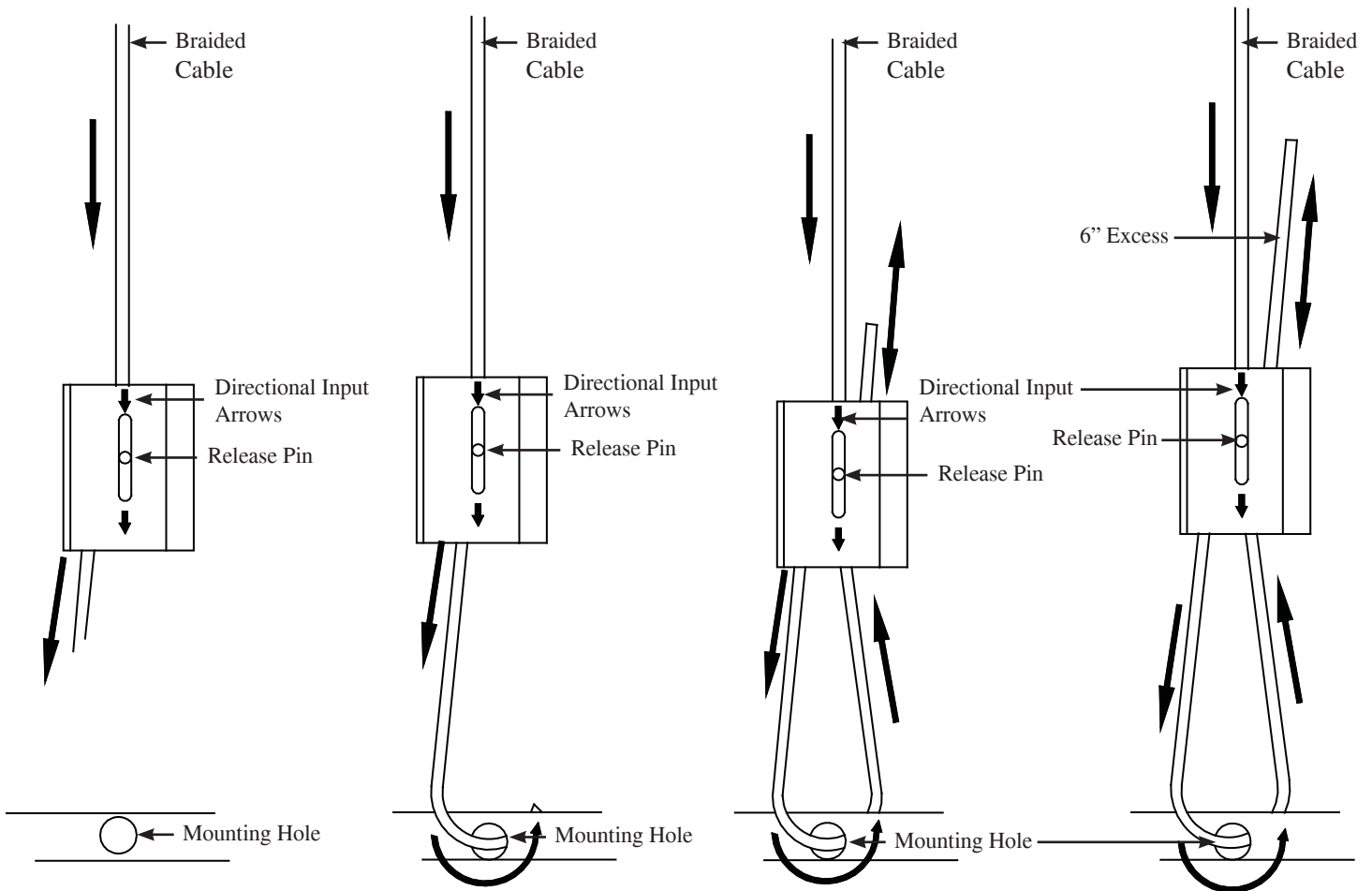
- Step 1.** Secure the four (4) 1/4" eye lag screws to the wood joist in the ceiling.
- Step 2.** Make sure eye lag screws are properly secured to the joist before securing the cable to the cable locks on the plate.
- Step 3.** Run the open end through the hole in the eye lag screw.
- Step 4.** Run the open end through the loop.
- Step 5.** Pull the open end down until the braided cable tightens around the eye lag screw.



Quick Lock Operation



Feed braided cable into the Quick Lock (see directional input arrows). To release the braided cable, slide the release pin to disengage.





Step 1. Thread each braided cable through the Quick Lock, the mounting hole in the corner of ceiling mount, and then completely through the opposite side of the Quick Lock to secure.



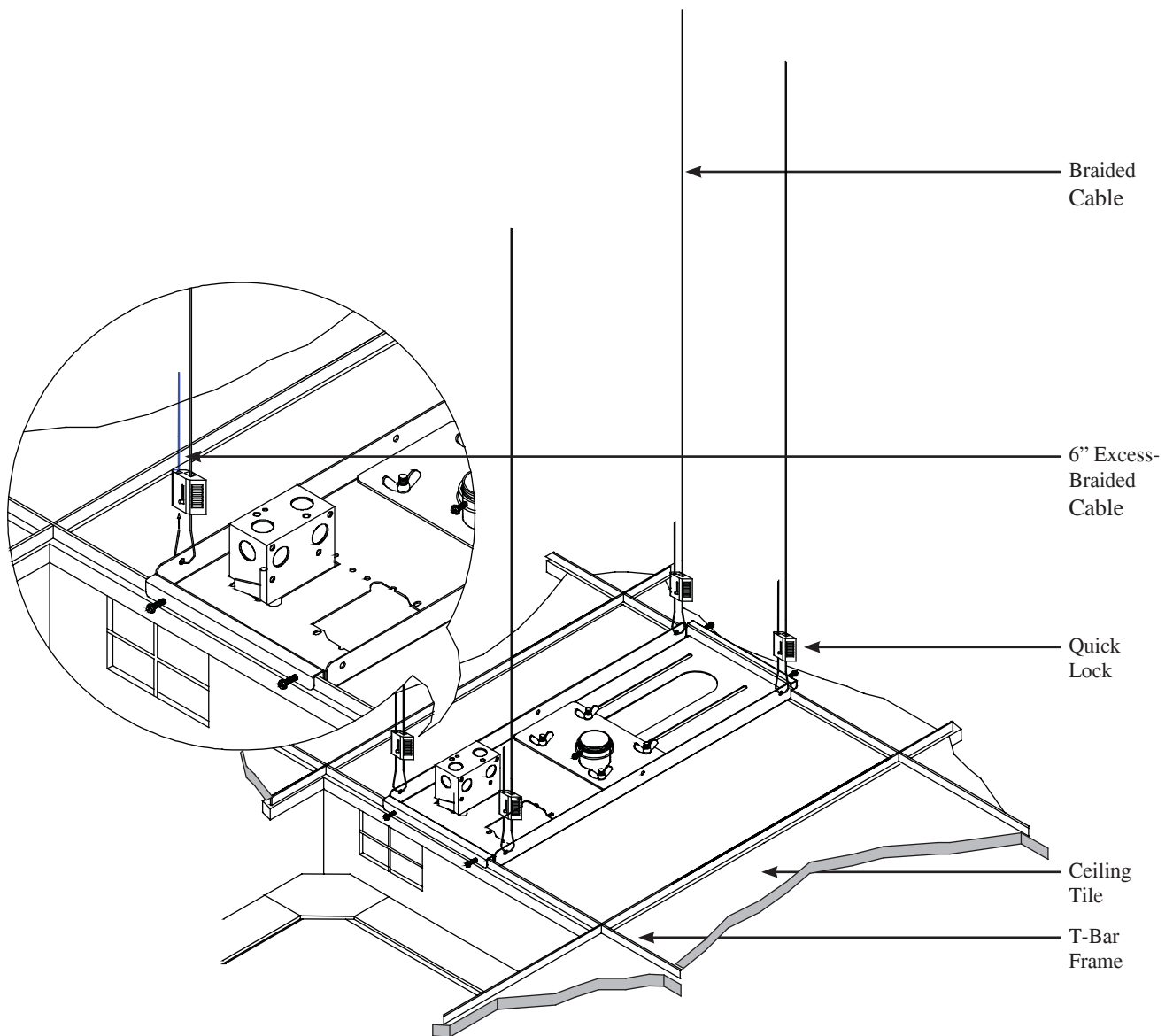
NOTE To relieve tension on the braided cable, slide the release pin on the Quick Lock.

Step 2. Adjust the braided cable tension. but do not overtighten.

Step 3. When adjusting the tension of the weight-bearing side of the Quick Lock, the cable must be pulled through the Quick Lock until the desired tension is attained. Once attained, pull the braided cable through the other side of the Quick Lock.

Step 4. Once the tension has been adjusted, be sure that there is at least 6" of excess braided cable on the non-weight bearing side of the Quick Lock.

Step 5. Use cable cutters to remove any remaining braided cable (optional).



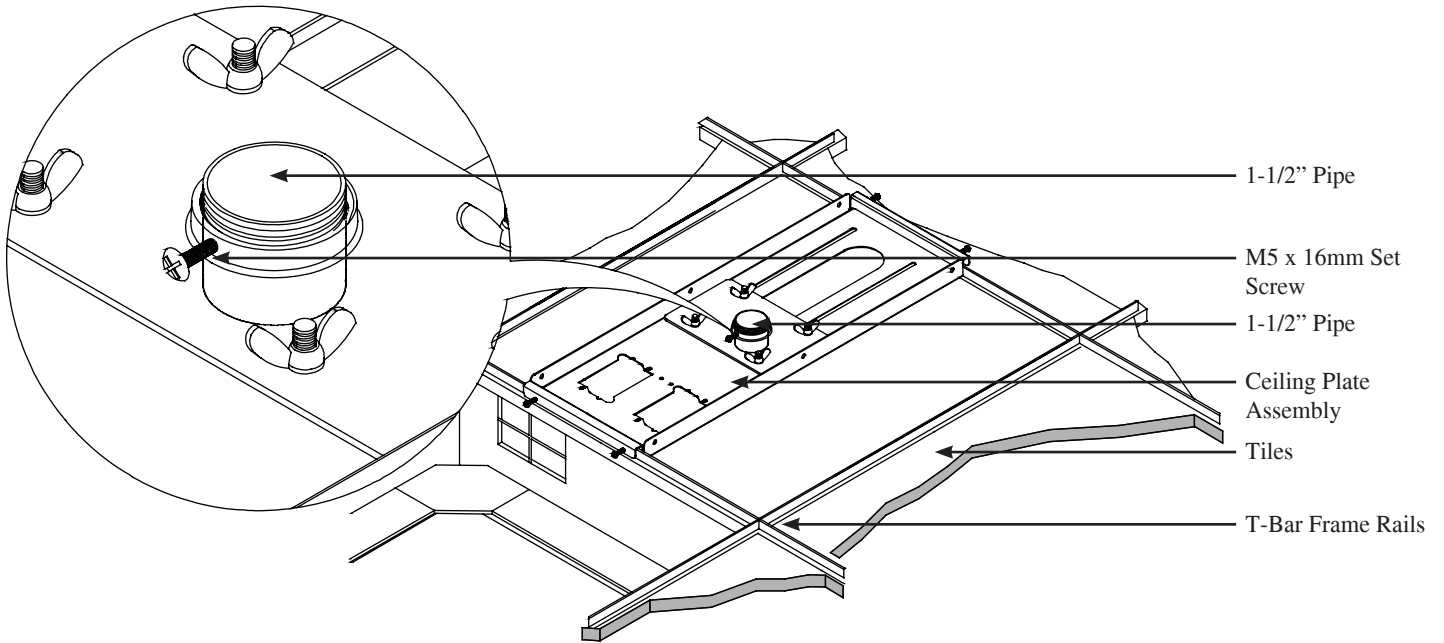


Securing Pipe to the PP-FCTA-QL

Step 1. Secure the 1-1/2" (NPT) pipe to the ceiling plate and tighten by using one (1) M5 x 16 Phillips head screw (supplied) to the plate.

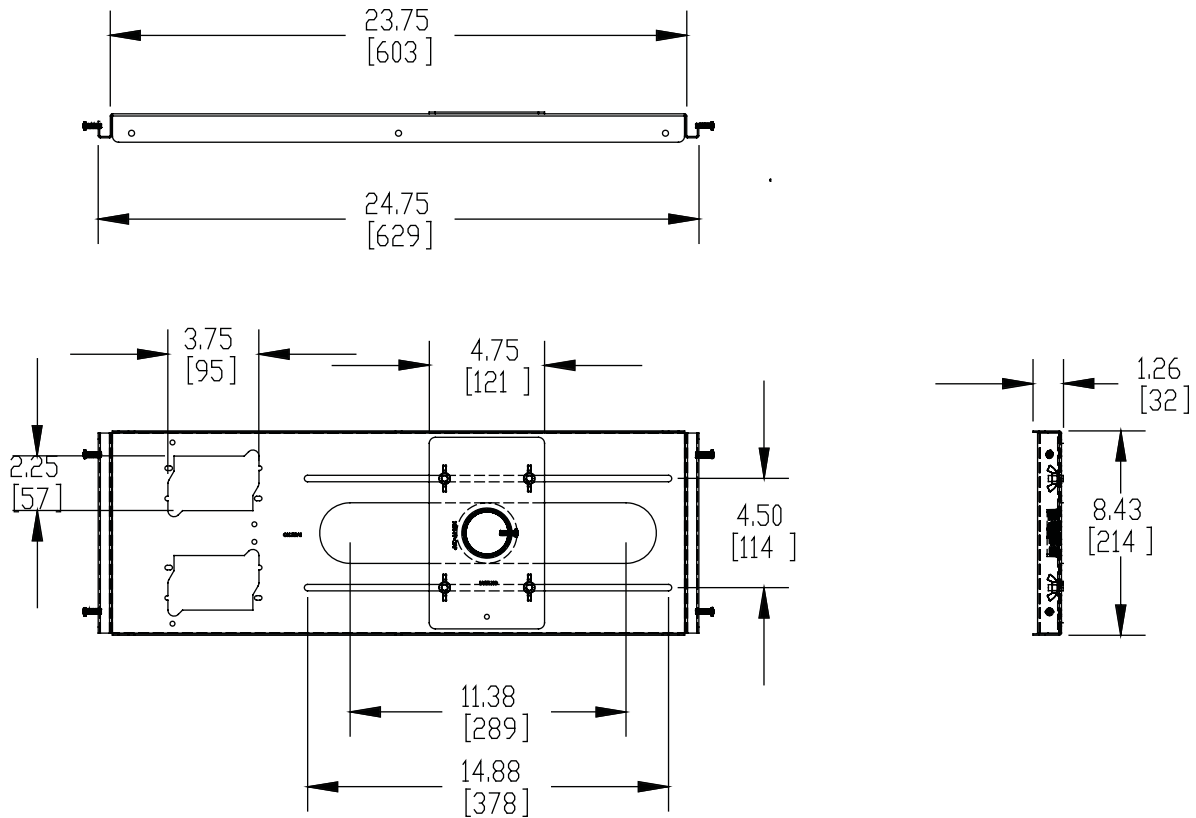


CAUTION The M5 x 16 Phillip head screw must be used to stabilize the 1-1/2" (NPT) pipe.



Technical Specifications

All measurements are in inches [mm].





Warranty

PREMIER MOUNTS LIMITED LIFETIME WARRANTY

What and Who is Covered by this Limited Warranty and for How Long

Premier Mounts warrants this product to be free from defects in material and workmanship for the lifetime of the original owner of this product. The limited warranty is valid only for the original purchaser of the product.

What Premier Mounts Will Do

At the sole option of Premier Mounts, Premier Mounts will repair or replace any product or product part that is defective. If Premier Mounts chooses to replace a defective product or part, a replacement product or part will be shipped to you at no charge, but you must pay any labor costs.

What is Not Covered; Limitations

PREMIER MOUNTS DISCLAIMS ANY LIABILITY FOR DAMAGE TO MOUNTS, ADAPTERS, DISPLAYS, PROJECTORS, OTHER PROPERTY, OR PERSONAL INJURY RESULTING, IN WHOLE OR IN PART, FROM IMPROPER INSTALLATION, MODIFICATION, USE OR MISUSE OF ITS PRODUCTS.

PREMIER MOUNTS DISCLAIMS ALL OTHER WARRANTIES, EXPRESS OR IMPLIED, INCLUDING WARRANTIES OF MERCHANTABILITY AND FITNESS FOR A PARTICULAR PURPOSE. PREMIER MOUNTS IS NOT RESPONSIBLE FOR INCIDENTAL OR CONSEQUENTIAL DAMAGES, INCLUDING BUT NOT LIMITED TO, INABILITY TO USE ITS PRODUCTS OR LABOR COSTS FOR REMOVING AND REPLACING DEFECTIVE PRODUCTS OR PARTS. SOME STATES DO NOT ALLOW THE EXCLUSION OR LIMITATION OF INCIDENTAL OR CONSEQUENTIAL DAMAGES, SO THE ABOVE LIMITATION OR EXCLUSION MAY NOT APPLY TO YOU.

What Customers Must Do for Limited Warranty Service

If you discover a problem that you think may be covered by the warranty you **MUST REPORT** it in writing to the address below within thirty (30) days. Proof of purchase (an original sales receipt) from the original consumer purchaser must accompany all warranty claims. Warranty claims must also include a description of the problem, the purchaser's name, address, and telephone number. General inquiries can be addressed to Premier Mounts Customer Service at 1-800-368-9700. Warranty claims will not be accepted over the phone or by fax.

Premier Mounts
Attn: Warranty Claim
3130 E. Miraloma Avenue
Anaheim, CA 92806

How State Law Applies

THIS WARRANTY GIVES YOU SPECIFIC LEGAL RIGHTS, AND YOU MAY ALSO HAVE OTHER RIGHTS WHICH VARY FROM STATE TO STATE.

Free Manuals Download Website

<http://myh66.com>

<http://usermanuals.us>

<http://www.somanuals.com>

<http://www.4manuals.cc>

<http://www.manual-lib.com>

<http://www.404manual.com>

<http://www.luxmanual.com>

<http://aubethermostatmanual.com>

Golf course search by state

<http://golfingnear.com>

Email search by domain

<http://emailbydomain.com>

Auto manuals search

<http://auto.somanuals.com>

TV manuals search

<http://tv.somanuals.com>