

TS Series

Floor Stands

Our TS Series of floor stands have become the most popular rental stands in the industry due to their stylish design and reliable performance. Mate them with any of our four mounts (UFA, CTM, USA or RTM – not included) to tailor them to the exact need.

- Horizontal or vertical placement of display (with RTM Series mount)
- Adjustable display placement along poles for perfect viewing height
- Cable management inside poles
- Optional shelves and cover packs
- Available in 60", 72" and 84" heights
- Base Color: Black
- Pole Color: Black or Chrome



TS stand is available in 60", 72" and 84" heights for maximum versatility.



TS stand supports up to 160 lbs. and includes a single PSD-SPA that mates directly with CTM Series mounts for horizontal mounting.

Dual-Pole Floor Stands, Single Display

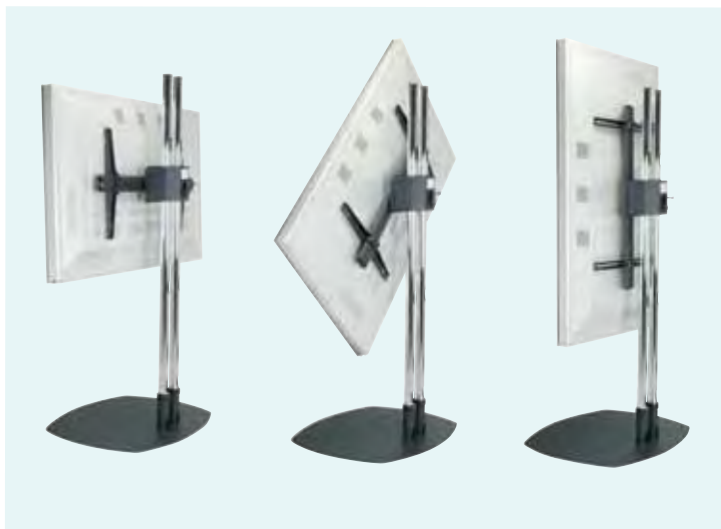
Model	Height	Max. Wt.
PSD-TS60	60"	160 lbs. (73 kgs.)
PSD-TS72	72"	160 lbs. (73 kgs.)
PSD-TS84	84"	160 lbs. (73 kgs.)

Optional Protective Base Coating

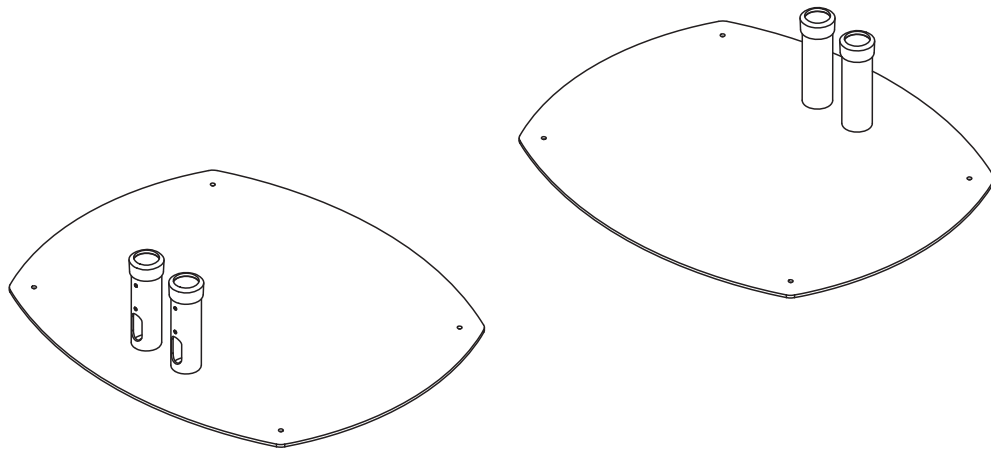
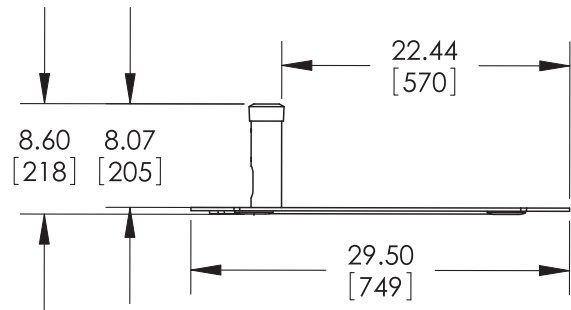
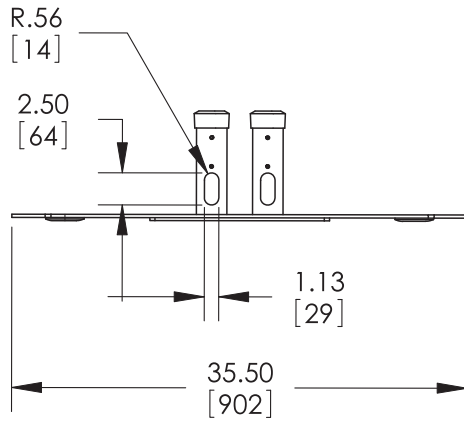
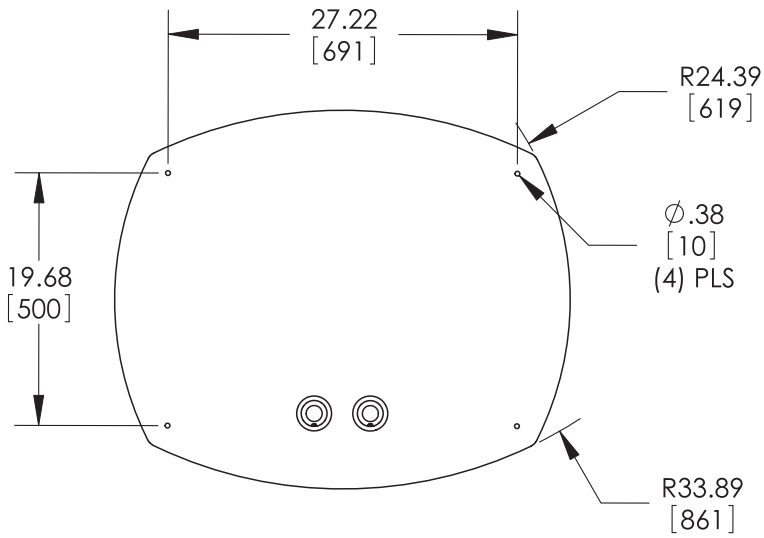
To order black poles, simply place a "B" at the end of model # (PSD-TS60B, for example.)

Choose Your Mount

UFA Flat	CTM Tilt	USA Swivel	RTM Rotary
-------------	-------------	---------------	---------------



SPECIFICATIONS



Dimensions are in inches and millimeters [mm].
Drawings are subject to change without notice.

800.368.9700 | www.mounts.com



Free Manuals Download Website

<http://myh66.com>

<http://usermanuals.us>

<http://www.somanuals.com>

<http://www.4manuals.cc>

<http://www.manual-lib.com>

<http://www.404manual.com>

<http://www.luxmanual.com>

<http://aubethermostatmanual.com>

Golf course search by state

<http://golfingnear.com>

Email search by domain

<http://emailbydomain.com>

Auto manuals search

<http://auto.somanuals.com>

TV manuals search

<http://tv.somanuals.com>