

Installation Instructions



Rotary Series

RTM Series Ceiling Adapter Model: RTM-C

NORTH AMERICA

3130 East Miraloma Avenue
Anaheim, CA 92806 USA
USA and Canada -
Phone: 800-368-9700
Fax: 800-832-4888

EUROPE

Swallow House,
Shilton Industrial Estate,
Shilton, Coventry, England CV79JY
Phone: +44 (0) 2476 614700
Fax: +44 (0) 2476 614710

AUSTRALIA, NEW ZEALAND, OCEANIA (Distributor)

P.O. Box 295
Mordialloc Victoria 3195
Australia
Phone: 03 9586 6330
www.premiermounts.com.au



Warning Statements ----- 2

Parts List ----- 3

Installation Tools ----- 3

Attaching the RTM-C to the RTM ----- 4

Attaching the RTM-C to the Suspension Pole ----- 5

Optional Configurations ----- 6

Technical Specifications ----- 6

Warranty ----- 7

Contact Premier Mounts ----- 7

Warning Statements

WARNING: PREMIER MOUNTS DOES NOT WARRANT AGAINST DAMAGE CAUSED BY THE USE OF ANY PREMIER MOUNTS PRODUCT FOR PURPOSES OTHER THAN THOSE FOR WHICH IT WAS DESIGNED OR DAMAGE CAUSED BY UNAUTHORIZED ATTACHMENTS OR MODIFICATIONS, AND IS NOT RESPONSIBLE FOR ANY DAMAGES, CLAIMS, DEMANDS, SUITS, ACTIONS OR CAUSES OF ACTION OF WHATEVER KIND RESULTING FROM, ARISING OUT OF OR IN ANY MANNER RELATING TO ANY SUCH USE, ATTACHMENTS OR MODIFICATIONS.

WARNING: THE CEILING MUST BE CAPABLE OF SUPPORTING 320 LBS. IF NOT, THE MOUNTING SURFACE MUST BE REINFORCED. PROPER INSTALLATION PROCEDURES BY A QUALIFIED SERVICE TECHNICIAN, AS OUTLINED IN THE INSTALLATION INSTRUCTIONS, MUST BE ADHERED TO. FAILURE TO DO SO COULD RESULT IN SERIOUS PERSONAL INJURY, OR EVEN DEATH.

WARNING: SAFETY MEASURES MUST BE PRACTICED AT ALL TIMES DURING THE INSTALLATION OF THIS PRODUCT. USE PROPER SAFETY GEAR AND TOOLS FOR THE INSTALLATION PROCEDURE TO PREVENT PERSONAL INJURY.

WARNING: PRIOR TO THE INSTALLATION OF THIS PRODUCT, THE INSTALLATION INSTRUCTIONS SHOULD BE READ AND COMPLETELY UNDERSTOOD. THE INSTALLATION INSTRUCTIONS MUST BE READ TO PREVENT PERSONAL INJURY AND PROPERTY DAMAGE. KEEP THESE INSTALLATION INSTRUCTIONS IN AN EASILY ACCESSIBLE LOCATION FOR FUTURE REFERENCE.



Indicates that the power plug is to be disconnected from the power outlet.



Safety precautions must be taken at all times.



Warning and Caution statements.



A secure structure must support the weight, or load, of the display.



Do not install on a structure that is prone to vibration, movement or chance of impact. Failure to do so could result in damage to the display and/or damage to the mounting surface.



Do not install near heater, fireplace, direct sunlight, air conditioning or any other source of direct heat energy. Failure to do so may result in damage to the display and could increase the risk of fire.



At least two qualified people should perform the installation procedure. Injury and/or damage can result from dropping or mishandling the display.



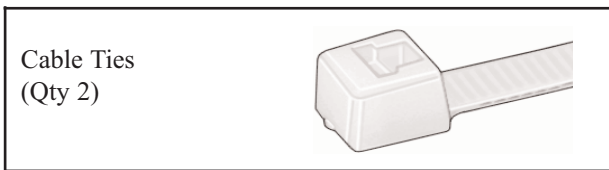
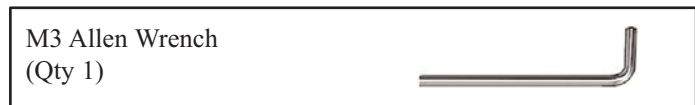
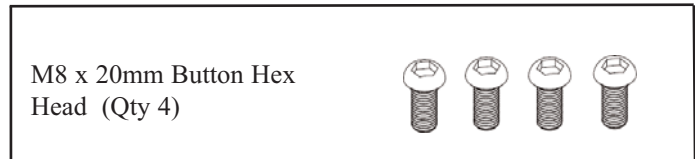
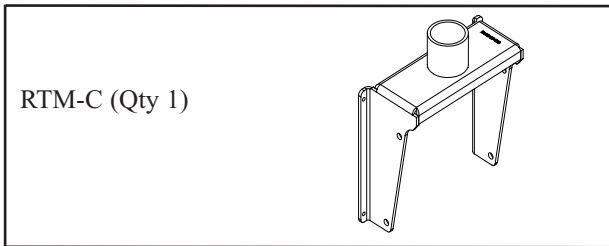
Contact Premier Mounts with any technical/installation questions.



Parts List

NOTE: The RTM-C may be used with the RTM-L or the RTM-S Series Display Mounts. It is imperative that the installation instructions be read for these mounts prior to installation. The installation instructions that are contained herein are exclusively for the RTM-C.

NOTE: This adapter is shipped with all installation hardware and components. Make sure that none of these parts are missing and/or damaged before beginning installation. If there are parts missing and/or damaged, please stop and contact Premier Mounts (800) 368-9700.



Installation Tools

Phillips Head Screw Driver
 Tape Measure
 M3 Allen Wrench (Supplied)

Soft Material/Blanket
 M5 Allen Wrench (Supplied)

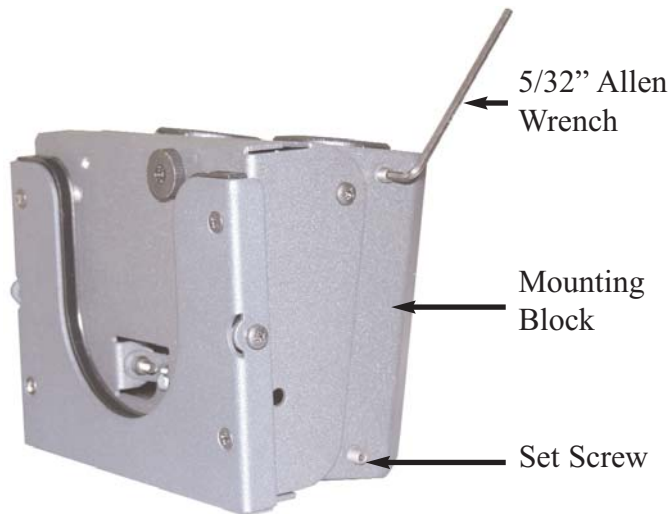
Pencil



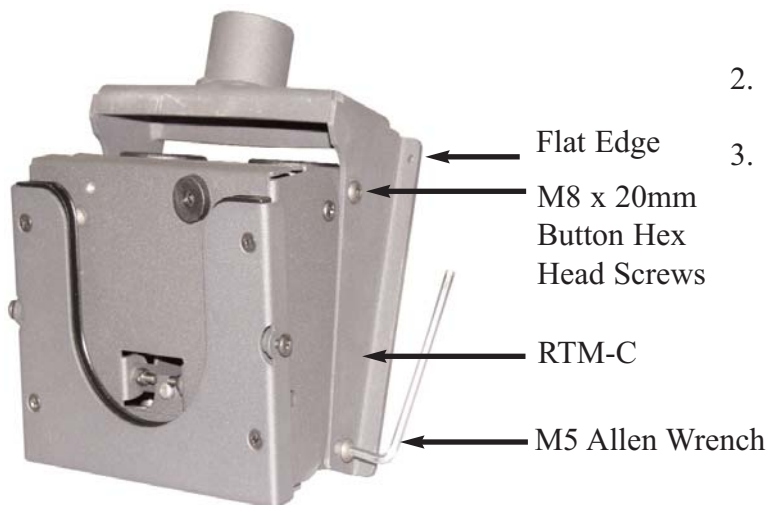
Attaching the RTM-C to the RTM

NOTE: The installation instructions that are contained in this manual refer only to the RTM-C. The installation instructions for optional configurations (page 7) that are used with the RTM-C will be included with those products.

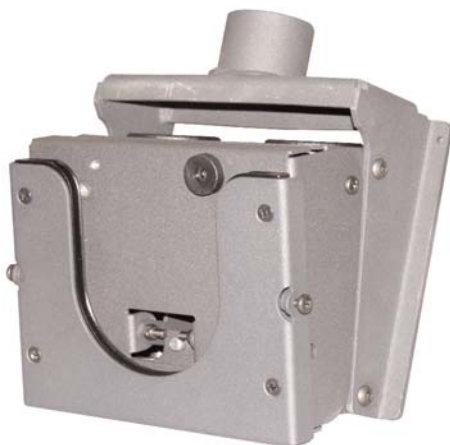
NOTE: Prior to installing the RTM-C, the RTM-C must be attached to the RTM-L or the RTM-S.



1. Remove the set screws from the mounting block on your Rotary Series Mount (two are located on each side of the mounting block) using the 5/32" Allen wrench (supplied with the RTM-S and the RTM-L).



2. Place the RTM-C (flat edge facing the rear) onto the RTM and line up the mounting holes.
3. Insert four (4) M8 x 20mm button hex head screws into the mounting and tighten using the M5 Allen wrench (supplied).



4. After tightening the M8 x 20mm button hex head screws, place the RTM-C to the side and determine where the suspension pole will be installed.

NOTE: Please refer to the installation instructions that are included in the packaging of the mount that will be used for the next steps.

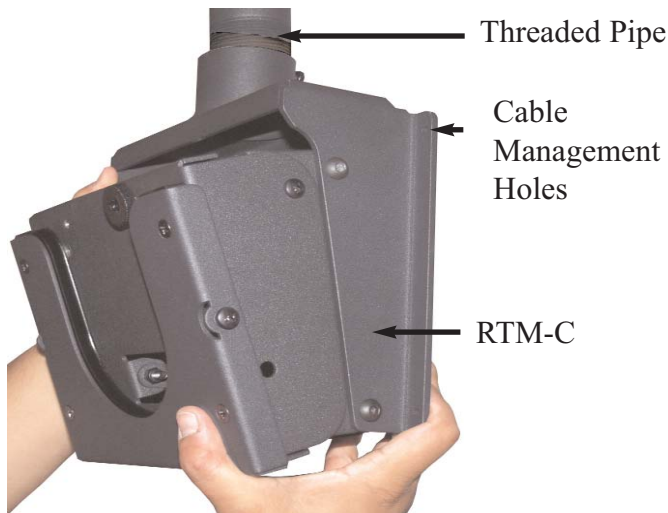


Attaching the RTM-C to the Suspension Pole

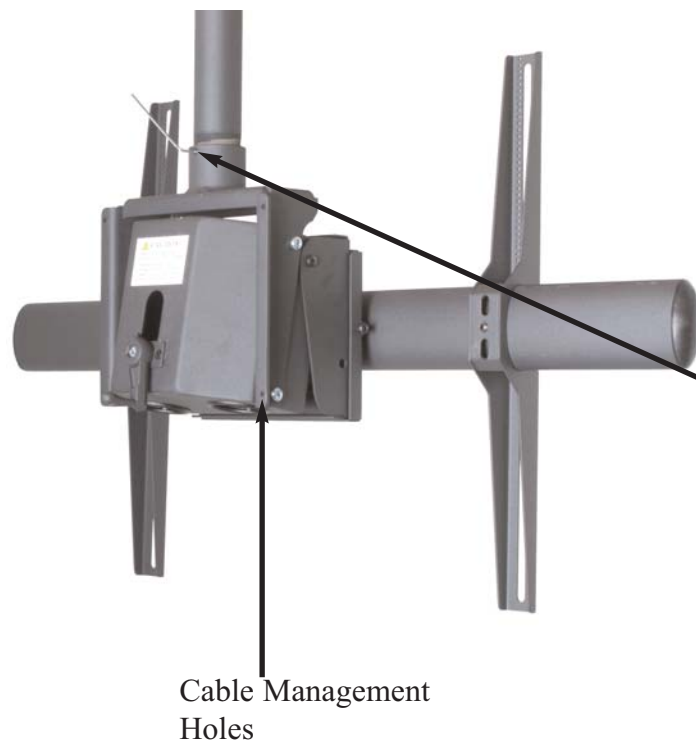
Once the mounting configuration has been determined and installed, the RTM-C may be attached.

NOTE: Depending on the installation configuration, a 1-1/2" NPT must be installed prior to installing the RTM-C.

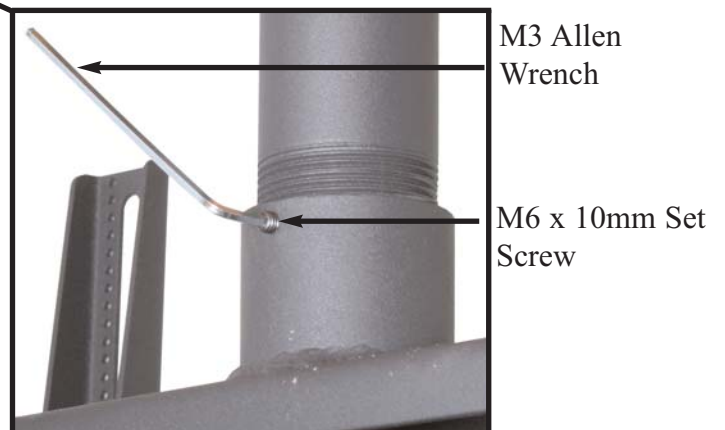
NOTE: It is recommended that two people install the RTM-C. While one person attaches the RTM-C onto the suspension pipe, the other person must hold the ladder.



1. Place the RTM-C coupler onto the threaded end of the suspension pole. Thread the coupler onto the threaded pipe tighten at least seven (7) complete turns.



2. After the RTM-C has been threaded onto the 1-1/2" NPT, tighten the M6 x 10mm set screw using a M3 Allen wrench (supplied).
3. Use the cable management holes, along with the cable ties, to secure and hide any loose cables and wires.





Optional Configurations

You may use the RTM-C with the following optional accessories. Please refer to the Installation Instructions that come packaged with the following products.



AST-2446



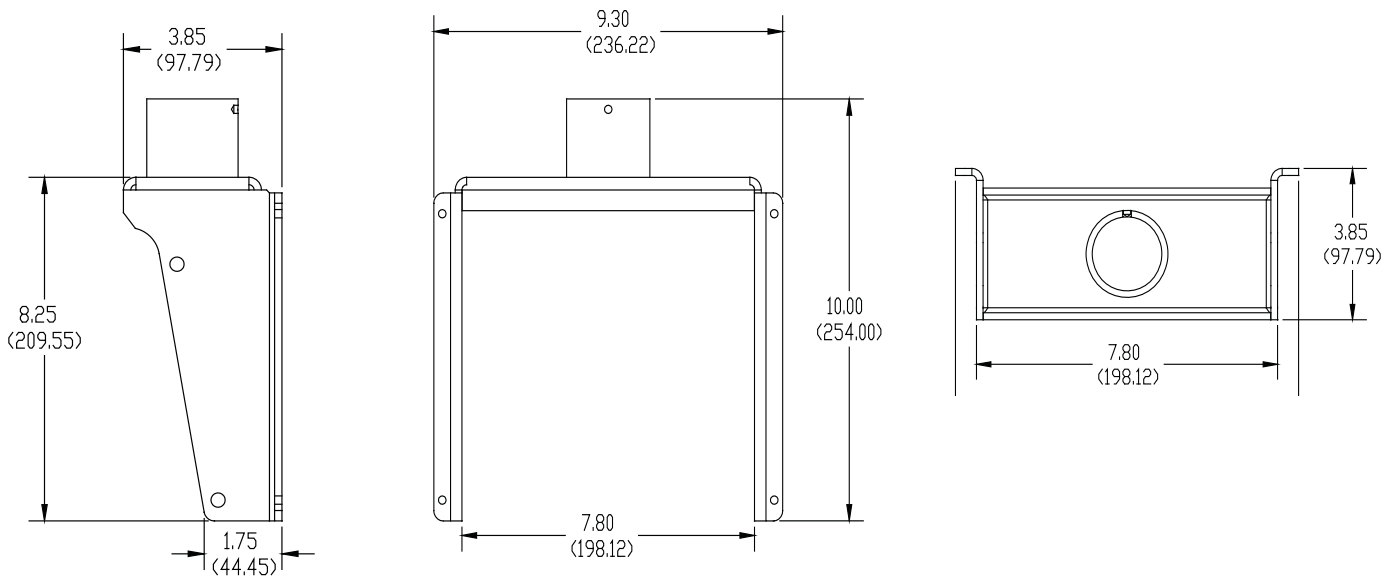
APP-2446



AST-1321

Technical Specifications

All measurements are in inches (mm).





**PREMIER MOUNTS
LIMITED LIFETIME WARRANTY**

What and Who is Covered by this Limited Warranty and for How Long

Premier Mounts warrants this product to be free from defects in material and workmanship for the lifetime of the original owner of this product. The limited warranty is valid only for the original purchaser of the product.

What Premier Mounts Will Do

At the sole option of Premier Mounts, Premier Mounts will repair or replace any product or product part that is defective. If Premier Mounts chooses to replace a defective product or part, a replacement product or part will be shipped to you at no charge, but you must pay any labor costs.

What is Not Covered; Limitations

PREMIER MOUNTS DISCLAIMS ANY LIABILITY FOR DAMAGE TO MOUNTS, ADAPTERS, DISPLAYS, PROJECTORS, OTHER PROPERTY, OR PERSONAL INJURY RESULTING, IN WHOLE OR IN PART, FROM IMPROPER INSTALLATION, MODIFICATION, USE OR MISUSE OF ITS PRODUCTS.

PREMIER MOUNTS DISCLAIMS ALL OTHER WARRANTIES, EXPRESS OR IMPLIED, INCLUDING WARRANTIES OF MERCHANTABILITY AND FITNESS FOR A PARTICULAR PURPOSE. PREMIER MOUNTS IS NOT RESPONSIBLE FOR INCIDENTAL OR CONSEQUENTIAL DAMAGES, INCLUDING BUT NOT LIMITED TO, INABILITY TO USE ITS PRODUCTS OR LABOR COSTS FOR REMOVING AND REPLACING DEFECTIVE PRODUCTS OR PARTS. SOME STATES DO NOT ALLOW THE EXCLUSION OR LIMITATION OF INCIDENTAL OR CONSEQUENTIAL DAMAGES, SO THE ABOVE LIMITATION OR EXCLUSION MAY NOT APPLY TO YOU.

What Customers Must Do for Limited Warranty Service

If you discover a problem that you think may be covered by the warranty you MUST REPORT it in writing to the address below within thirty (30) days. Proof of purchase (an original sales receipt) from the original consumer purchaser must accompany all warranty claims. Warranty claims must also include a description of the problem, the purchaser's name, address, and telephone number. General inquiries can be addressed to Premier Mounts Customer Service at 1-800-368-9700. Warranty claims will not be accepted over the phone or by fax.

Premier Mounts
Attn: Warranty Claim
3130 E. Miraloma Avenue
Anaheim, CA 92806

How State Law Applies

THIS WARRANTY GIVES YOU SPECIFIC LEGAL RIGHTS, AND YOU MAY ALSO HAVE OTHER RIGHTS WHICH VARY FROM STATE TO STATE.

Free Manuals Download Website

<http://myh66.com>

<http://usermanuals.us>

<http://www.somanuals.com>

<http://www.4manuals.cc>

<http://www.manual-lib.com>

<http://www.404manual.com>

<http://www.luxmanual.com>

<http://aubethermostatmanual.com>

Golf course search by state

<http://golfingnear.com>

Email search by domain

<http://emailbydomain.com>

Auto manuals search

<http://auto.somanuals.com>

TV manuals search

<http://tv.somanuals.com>