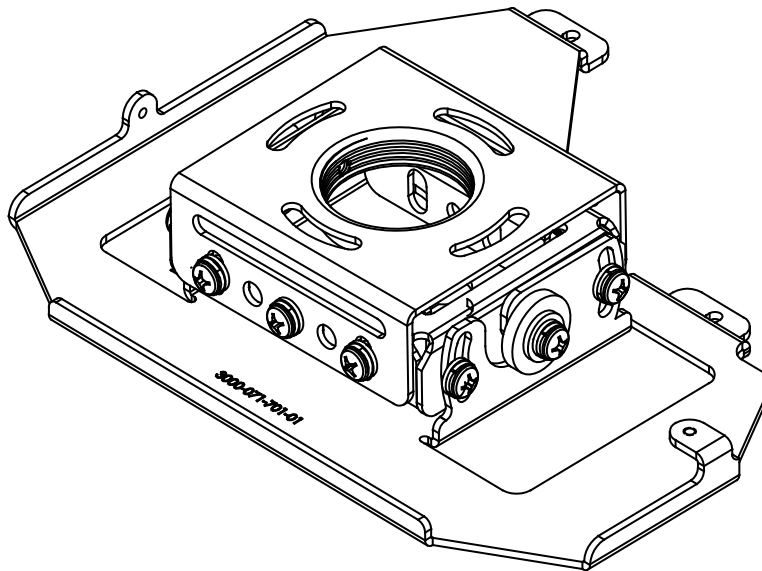


## Installation Instructions



### **XL6000CM Projector Mount**

---

#### **NORTH AMERICA**

3130 East Miraloma Avenue  
Anaheim, CA 92806 USA  
USA and Canada -  
Phone: 800-368-9700  
Fax: 800-832-4888

#### **EUROPE**

Swallow House,  
Shilton Industrial Estate,  
Shilton, Coventry, England CV79JY  
Phone: +44 (0) 2476 614700  
Fax: +44 (0) 2476 614710

#### **AUSTRALIA, NEW ZEALAND, OCEANIA (DISTRIBUTOR)**

P.O. Box 295  
Mordialloc Victoria 3195  
Australia  
Phone: 03 9586 6330

---



## TABLE OF CONTENTS

Warranty ..... 2

Contact Premier Mounts ..... 2

Parts List..... 3

Installation Tools ..... 3

Ceiling Installation ..... 4

Attaching the Projector ..... 5

Adjusting the Projector ..... 5

Optional Installations ..... 6

AST-2446 Installation/ Custom Length Pipe (1½” NPT) ..... 6

PP-FCTA Installation..... 6

Technical Specifications ..... 7

Contact Premier Mounts ..... 8

Warning Statements ..... 8

XL6000CM Projector Bracket Installation ..... 9

### Warning Statements



PREMIER MOUNTS DOES NOT WARRANT AGAINST DAMAGE CAUSED BY THE USE OF ANY PREMIER MOUNTS PRODUCT FOR PURPOSES OTHER THAN THOSE FOR WHICH IT WAS DESIGNED OR DAMAGE CAUSED BY UNAUTHORIZED ATTACHMENTS OR MODIFICATIONS, AND IS NOT RESPONSIBLE FOR ANY DAMAGES, CLAIMS, DEMANDS, SUITS, ACTIONS OR CAUSES OF ACTION OF WHATEVER KIND RESULTING FROM, ARISING OUT OF OR IN ANY MANNER RELATING TO ANY SUCH USE, ATTACHMENTS OR MODIFICATIONS



THE CEILING STRUCTURE MUST BE CAPABLE OF SUPPORTING AT LEAST FIVE TIMES THE PROJECTORS WEIGHT. IF NOT, THE CEILING STRUCTURE MUST BE REINFORCED. PROPER INSTALLATION PROCEDURE BY A QUALIFIED SERVICE TECHNICIAN, AS OUTLINED IN THE INSTALLATION INSTRUCTIONS, MUST BE ADHERED TO. FAILURE TO DO SO COULD RESULT IN SERIOUS PERSONAL INJURY, OR EVEN DEATH. THE MAXIMUM WEIGHT THAT CAN BE USED WITH THIS MOUNT IS 65LBS. IF THIS WEIGHT IS EXCEEDED, DAMAGE TO THE DISPLAY AND/OR THE MOUNT MAY OCCUR.



SAFETY MEASURES MUST BE PRACTICED AT ALL TIMES DURING THE INSTALLATION OF THIS PRODUCT. USE PROPER SAFETY GEAR AND TOOLS FOR THE INSTALLATION PROCEDURE TO PREVENT PERSONAL INJURY.



PRIOR TO THE INSTALLATION OF THIS PRODUCT, THE INSTALLATION INSTRUCTIONS SHOULD BE READ AND COMPLETELY UNDERSTOOD. THE INSTALLATION INSTRUCTIONS MUST BE READ TO PREVENT PERSONAL INJURY AND PROPERTY DAMAGE KEEP THESE INSTALLATION INSTRUCTIONS IN AN EASILY ACCESSIBLE LOCATION FOR FUTURE REFERENCE.



Indicates that the power plug is to be disconnected from the power outlet.



Contact Premier Mounts with any questions - (800) 368-9700.



Safety precautions must be taken at all times



Warning and Caution statements.



Do not install on a structure that is prone to vibration, movement or chance of impact. Failure to do so could result in damage to the projector and/or damage to the mounting surface.



Do not install near heater, fireplace, direct sunlight, air conditioning or any other source of direct heat energy. Failure to do so may result in damage to the projector and could increase the risk of fire.




At least two qualified people should perform the installation procedure. Injury and/or damage can result from dropping or mishandling the projector.

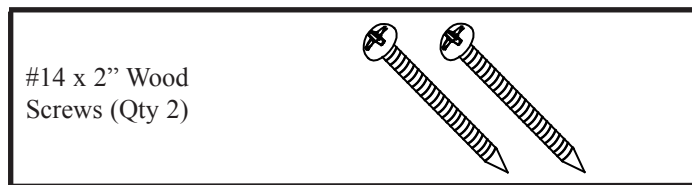
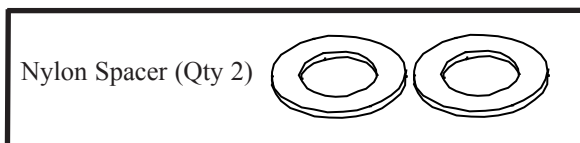
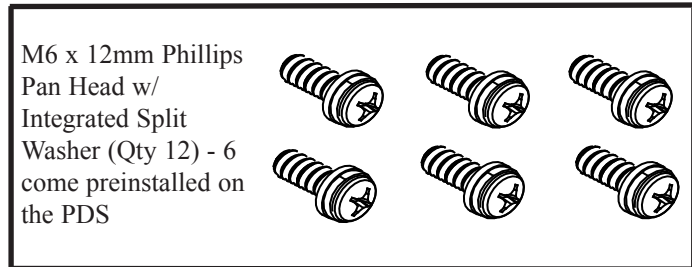
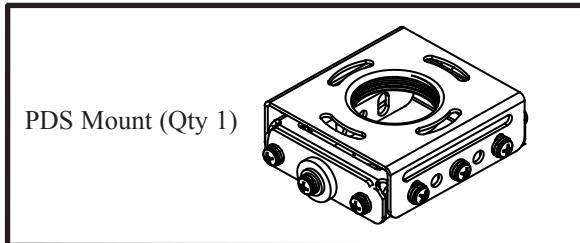


Congratulations on the purchase of your new Premier Mounts PDS Projector Mount.

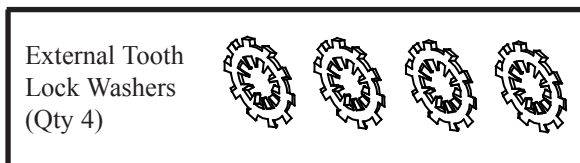
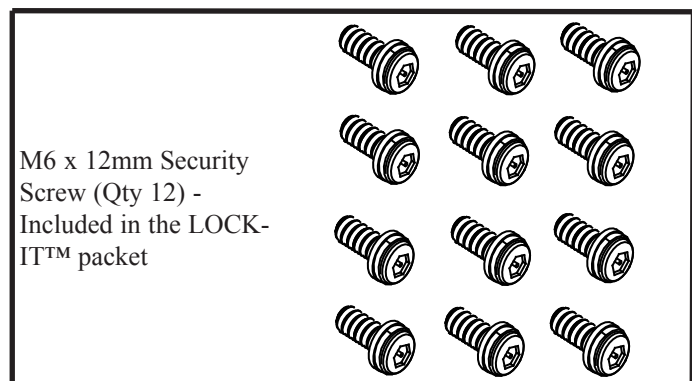
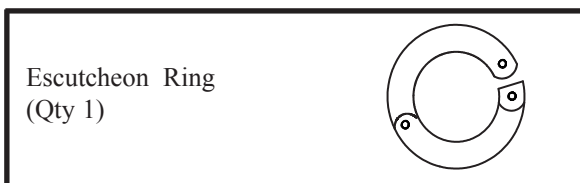
## Parts List

 **Note** This mount is shipped with all installation hardware and components. Make sure that none of these parts are missing and/ or damaged before beginning installation. If there are parts missing and/ or damaged, please stop and contact Premier Mounts at (800) 368-9700.

 **Note** Please review all WARNING and CAUTION statements (Page 8) before beginning the installation of the PDS Series Projector Mount.



### LOCK-IT™ Security System



## Installation Tools

Phillips Head Screw Driver

Portable Drill

Soft Material/ Blanket

Pencil

Level

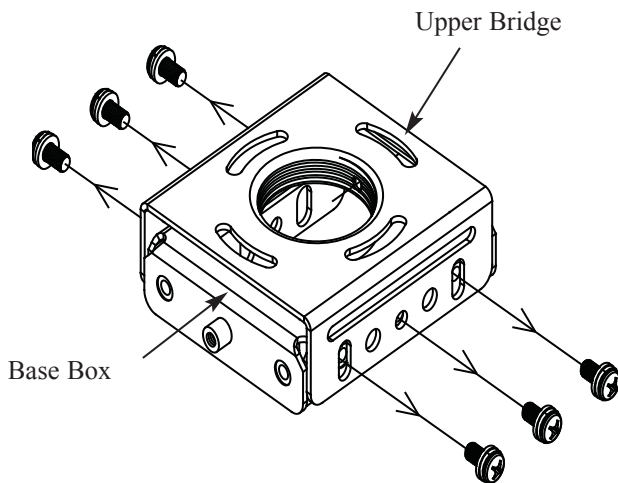
Stud Finder

M3 Security Allen Wrench (Supplied)

M5 Security Allen Wrench (Supplied)

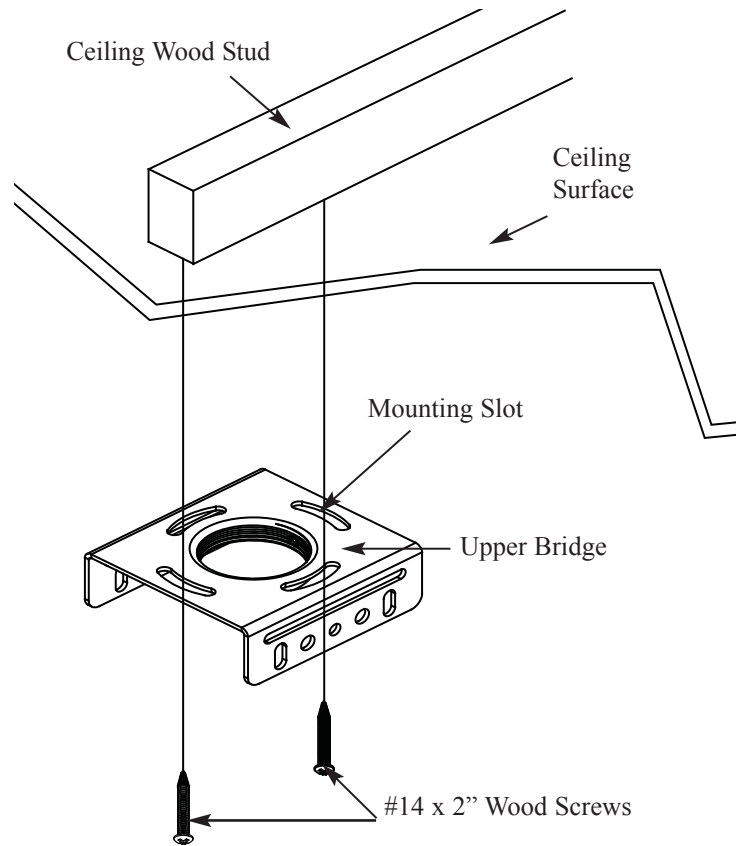


## Ceiling Installation



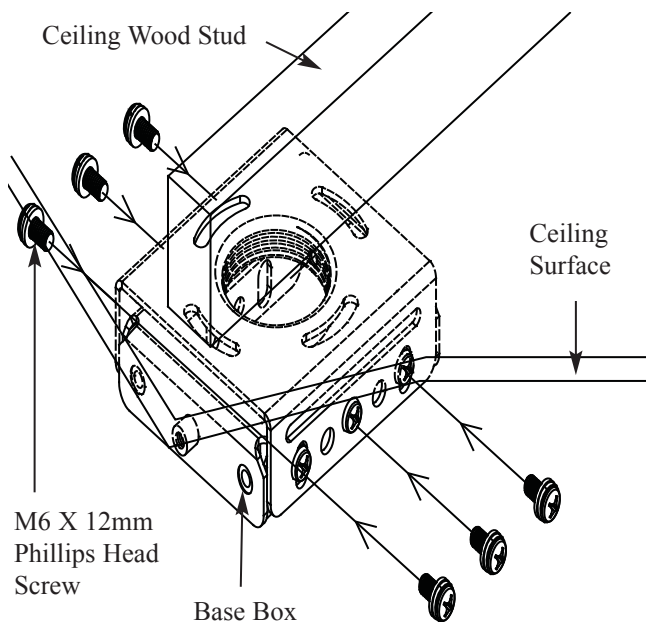
**Figure 1**

1. Separate the Upper Bridge from the Base Box by removing the six (6) M6 x 12mm Phillips Head screws three on each side (Figure 1).



**Figure 2**

2. Use the appropriate slot openings for single wood stud mounting, depending on your ceiling configuration. The adjustable channel slots will allow you to fine tune the final orientation of the projector.
3. Secure the Upper Bridge to the center of the stud on the ceiling structure at this time using two (2) #14 x 2" wood screws (supplied).



**Figure 3**

4. Attach the Base Box to the Upper Bridge and secure with the six (6) M6 x 12mm Phillips Head screws (Figure 3). DO NOT TIGHTEN THESE SCREWS YET.



## Attaching the Projector

**NOTE:** Please follow the installation sheet included with the specific mounting bracket for your projector. Once the mounting bracket has been secured to the projector, follow the instructions below.

1. Raise the projector (with the mounting bracket attached) and hook the projector bracket over the hinge screws (Figure 4).

**CAUTION:** Make sure the bracket is fully secured to the Base Box before letting go of the projector.

2. Loosely install the two (2) M6 x 12mm Phillips Head Hinge screws, flat washers and nylon spacers into the hinge holes, located on each side of the base box (Figure 4). **DO NOT TIGHTEN THESE SCREWS!**
3. Once the mount is safely attached, insert and tighten the four (4) M6 x 12mm Phillips Head Screw (Figure 4).
4. Once all adjustments have been made, tighten all hardware.

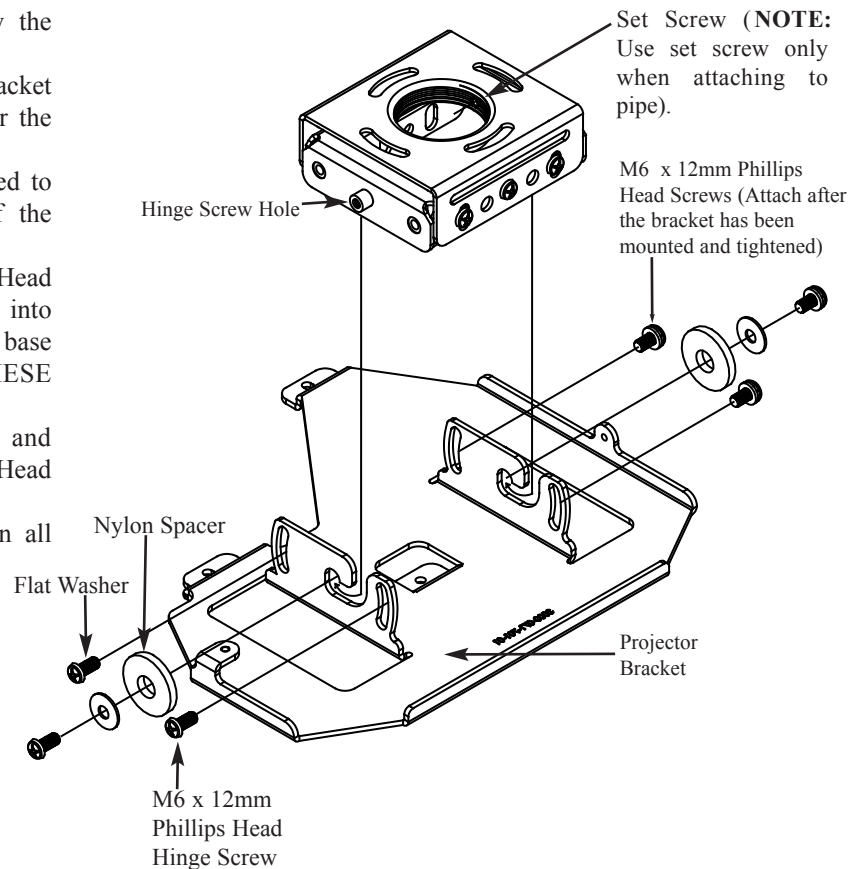


Figure 4

## Adjusting the Projector

1. You can adjust the roll of the projector by loosening the three (3) front and rear M6 x 12mm screws (Figure 5).



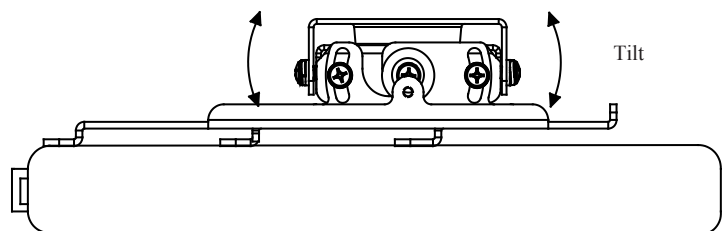
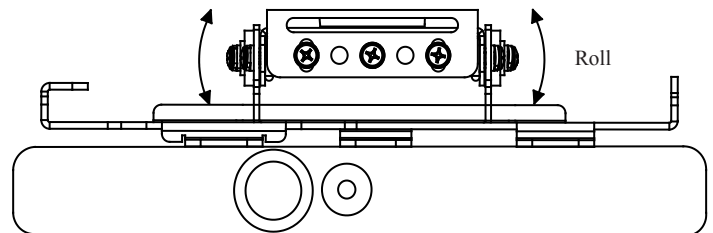
**Caution** Do not fully loosen the screws, as the mount may drop.

2. Set the desired roll and then tighten the screws. First tighten the center screws and work your way to the outside screws, making any final adjustments prior to tightening the last two screws.
3. You can adjust the tilt of the projector by loosening the two (2) M6 x 12mm screws on each side of the Base Box (Figure 5).
4. Set the desired tilt and then tighten the screws, making any final adjustments prior to tightening the last two screws.



**Note** If your projector is not holding the tilt, install the four (4) internal/external tooth lock washers to the four (4) M6 x 12mm tilt screws.

5. Once all adjustments have been made, tighten all hardware.



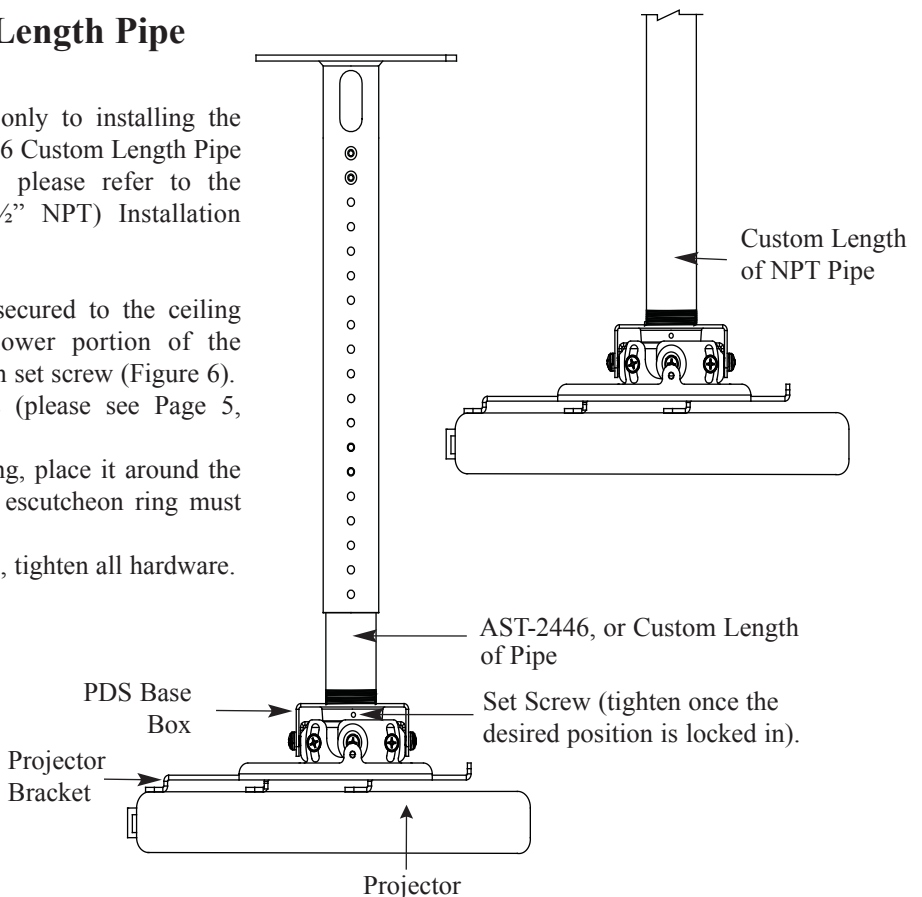


## Optional Installations

### AST-2446 Installation/ Custom Length Pipe (1-1/2" NPT)

**NOTE:** These installation instructions apply only to installing the PDS Base Box. For complete AST-2446 Custom Length Pipe (1½" NPT) installation instructions, please refer to the AST-2446 Custom Length Pipe (1½" NPT) Installation Instructions.

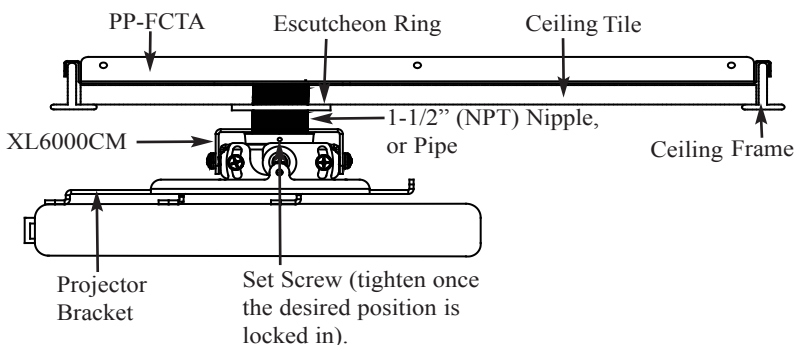
1. After the upper pipe has been properly secured to the ceiling structure, screw the base box to the lower portion of the AST-2446 and secure it with the M6 x 8mm set screw (Figure 6).
2. Make the necessary viewing adjustments (please see Page 5, Adjusting the Projector).
3. To install the escutcheon ring, open the ring, place it around the AST-2446 extension pipe, and close. The escutcheon ring must then be fitted into place.
4. When all final adjustments have been made, tighten all hardware.



**Figure 6**

### PP-FCTA Installation

**NOTE:** These installation instructions apply only to installing the PDS Base Box. For complete PP-FCTA installation instructions, please refer to the PP-FCTA Installation Instructions.



**Figure 7**

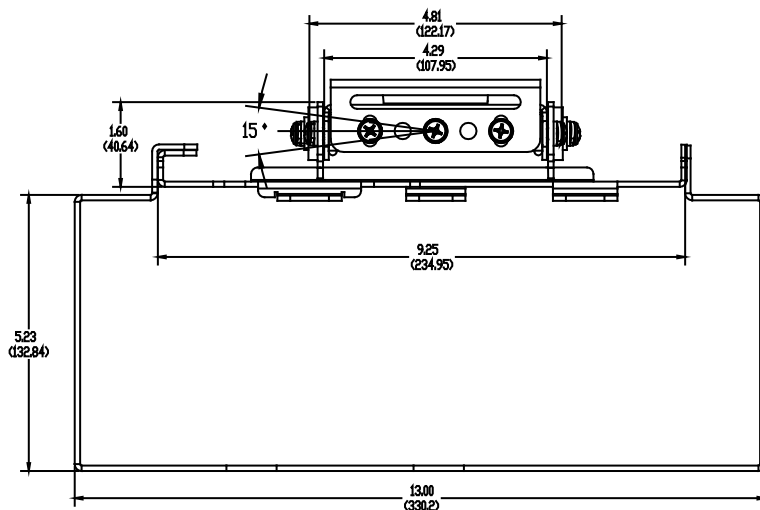
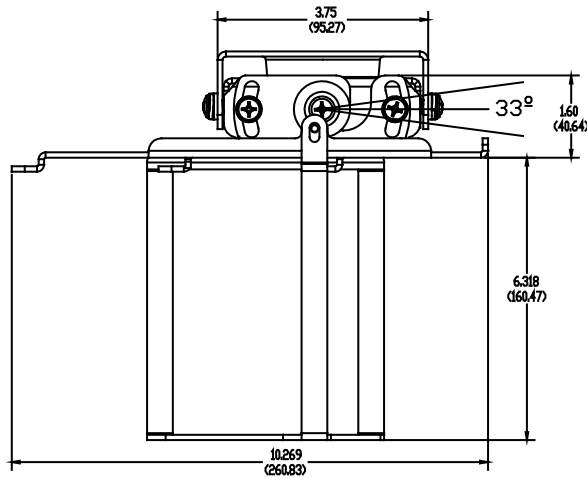
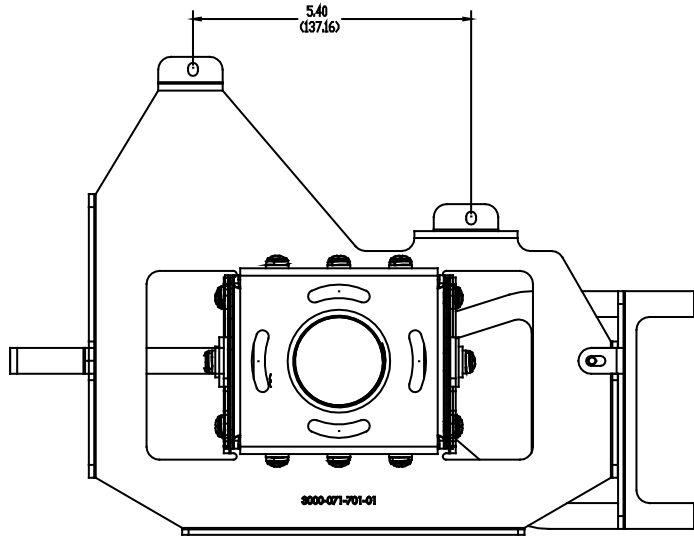
1. Secure the 1½" (NPT) nipple to the ceiling plate and secure the nipple or (custom length of 1½" NPT pipe) by using one (1) M5 x 16 Phillips head screw (supplied) to the stud plate (Figure 7).
2. Thread the base box to the pipe, or nipple, and secure with the M6 x 8mm set screw.
3. To install the escutcheon ring, open the ring, place it around the pipe, and close. The escutcheon ring must then be fitted into place.
4. When all final adjustments have been made, tighten all hardware.

**CAUTION:** The set screw must be used to stabilize the 1½" (NPT) nipple or optional pipe.



# Technical Specifications

All measurements in inches (mm)





## Warranty

### PREMIER MOUNTS LIMITED LIFETIME WARRANTY

#### What and Who is Covered by this Limited Warranty and for How Long

Premier Mounts warrants this product to be free from defects in material and workmanship for the lifetime of the original owner of this product. The limited warranty is valid only for the original purchaser of the product.

#### What Premier Mounts Will Do

At the sole option of Premier Mounts, Premier Mounts will repair or replace any product or product part that is defective. If Premier Mounts chooses to replace a defective product or part, a replacement product or part will be shipped to you at no charge, but you must pay any labor costs.

#### What is Not Covered; Limitations

PREMIER MOUNTS DISCLAIMS ANY LIABILITY FOR DAMAGE TO MOUNTS, ADAPTERS, DISPLAYS, PROJECTORS, OTHER PROPERTY, OR PERSONAL INJURY RESULTING, IN WHOLE OR IN PART, FROM IMPROPER INSTALLATION, MODIFICATION, USE OR MISUSE OF ITS PRODUCTS.

PREMIER MOUNTS DISCLAIMS ALL OTHER WARRANTIES, EXPRESS OR IMPLIED, INCLUDING WARRANTIES OF MERCHANTABILITY AND FITNESS FOR A PARTICULAR PURPOSE. PREMIER MOUNTS IS NOT RESPONSIBLE FOR INCIDENTAL OR CONSEQUENTIAL DAMAGES, INCLUDING BUT NOT LIMITED TO, INABILITY TO USE ITS PRODUCTS OR LABOR COSTS FOR REMOVING AND REPLACING DEFECTIVE PRODUCTS OR PARTS. SOME STATES DO NOT ALLOW THE EXCLUSION OR LIMITATION OF INCIDENTAL OR CONSEQUENTIAL DAMAGES, SO THE ABOVE LIMITATION OR EXCLUSION MAY NOT APPLY TO YOU.

#### What Customers Must Do for Limited Warranty Service

If you discover a problem that you think may be covered by the warranty you MUST REPORT it in writing to the address below within thirty (30) days. Proof of purchase (an original sales receipt) from the original consumer purchaser must accompany all warranty claims. Warranty claims must also include a description of the problem, the purchaser's name, address, and telephone number. General inquiries can be addressed to Premier Mounts Customer Service at 1-800-368-9700. Warranty claims will not be accepted over the phone or by fax.

Premier Mounts  
Attn: Warranty Claim  
3130 E. Miraloma Avenue  
Anaheim, CA 92806

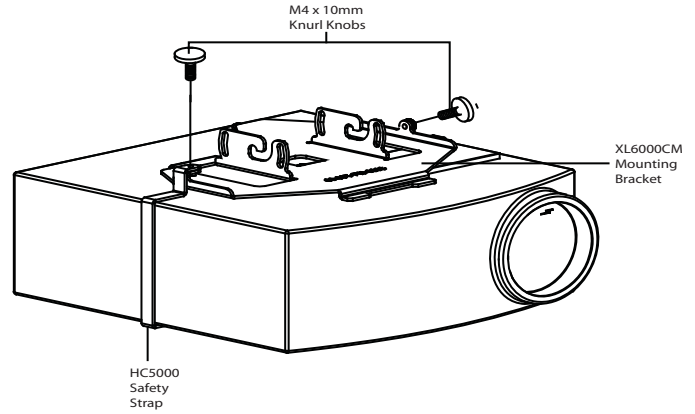
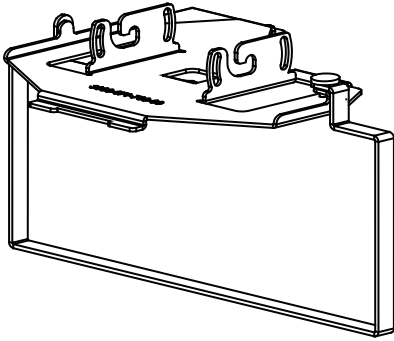
#### How State Law Applies

THIS WARRANTY GIVES YOU SPECIFIC LEGAL RIGHTS, AND YOU MAY ALSO HAVE OTHER RIGHTS WHICH VARY FROM STATE TO STATE.





### XL6000CM Projector Bracket Installation Instructions

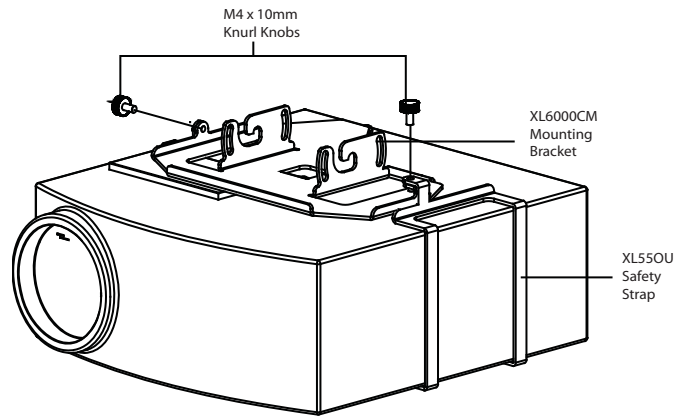


PDS-046 Bracket (Qty 1)		Safety Strap (Qty 1)-For use with the HC5000/6000 projector	
M4 x 10mm Knurl Knobs (Qty 2)		Safety Strap (Qty 1)-For use with the XL550U/650 projector	
M4 x 10mm Phillips Head Screw (Qty 3)		M4 x 10mm Security Head Screws (Qty 3)	

Premier Mounts  
 3130 E. Miraloma Ave.  
 Anaheim, CA 92806  
 Phone: (800) 368-9700 Fax: (800) 832-4888  
 techsupport@mounts.com www.mounts.com

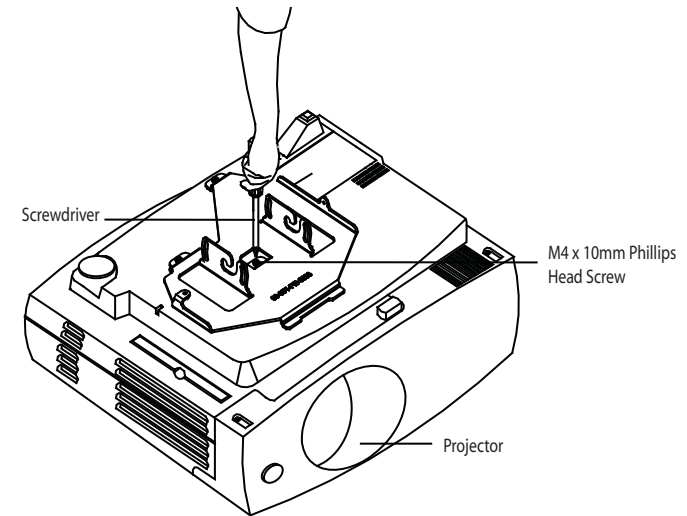
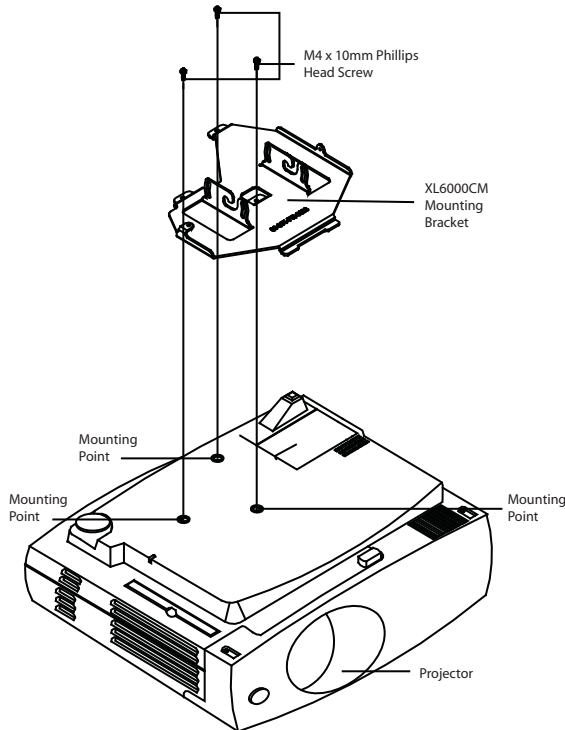
#### HC5000 Safety Bracket Installation

- Once the XL6000CM has been attached to the projector, the safety strap must be attached to the mounting bracket.
- Place the safety bracket over the mounting holes and insert two (2) M4 x 10mm knurls knobs and tighten.



#### XL550U Safety Bracket Installation

- Once the XL6000CM has been attached to the projector, the safety strap must be attached to the mounting bracket.
- Place the safety bracket over the mounting holes and insert two (2) M4 x 10mm knurls knobs and tighten.



- Invert the projector and place it on a soft and flat surface. Remove any foot levelers that might possibly prevent the correct installation of the bracket.
- Locate the three mounting points located on the bottom of the projector.
- Line up the mounting points on the projector with the mounting holes on the XL6000CM mounting bracket.

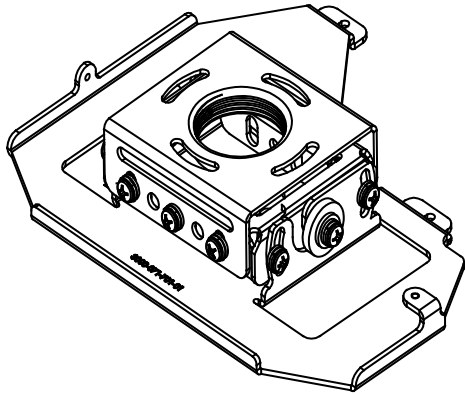
- Using a screwdriver, secure the XL6000CM mounting bracket using three (3) M4 x 10mm Phillips Head screws. Do not over tighten these screws. Overtightening the screws may result in damaging the threaded inserts on the projector.



**Note** Please refer to the Base Box Installation Instructions to attach the Base Box to the XL6000CM mounting bracket.



**Note** The projector (shown above) is for illustration purposes only.



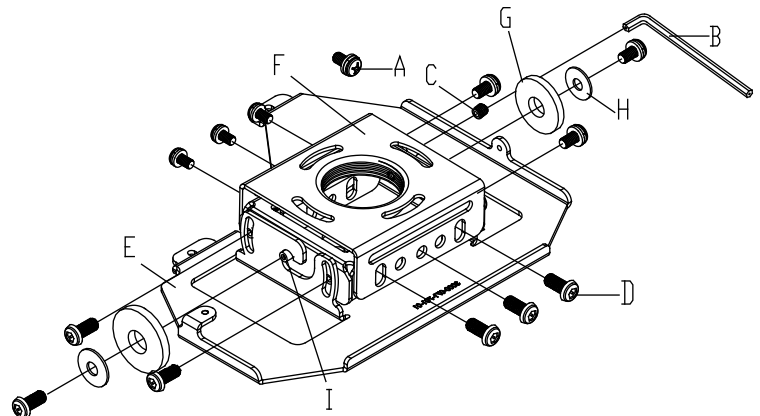
**LOCK-IT™  
Security System**

Premier Mounts  
3130 E. Miraloma Ave.  
Anaheim, CA 92806  
Phone: (800) 368-9700 Fax: (800) 832-4888  
techsupport@mounts.com www.mounts.com



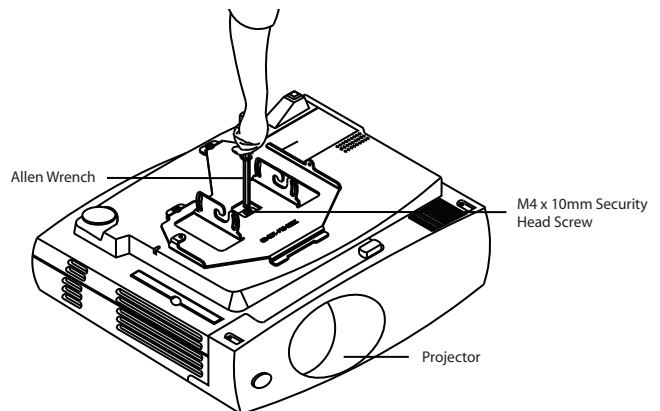
**Note** To utilize the LOCK-IT™ Security System, all M6 x 12mm Phillips Pan Head screws (A - 6 total) must be removed prior to installing the M6 x 12mm Security Screws (D).

1. Remove all pre-installed M6 x 12mm Phillips Pan Head screws (A - 6 total).
2. Use the M5 Security Wrench (B - supplied) to install and tighten the M6 x 12mm Security Screws (D).
3. Using the security wrench (supplied), remove the M6 x 8mm standard set screw and replace it with the M6 x 8mm security set screw (C).
4. Insert the nylon washer (G), 1/4" flat washer (H) and the M6 x 12mm Security Screw (D) into the pivot point (I).
5. Attach bracket to projector using security screws.
6. Once the Phillips Pan Head screws have been replaced with the security screws, re-attach the bracket (E) to the mount (F).
7. Insert the four tilt adjustment security screws (two per side).
8. Follow the instructions in the manual to complete the installation.



**Mounting Bracket Security Screws**

1. Using a security wrench (supplied), secure the XL6000CM mounting bracket using three (3) M4 x 10mm Security Head screws. Do not over tighten these screws. Overtightening the screws may result in damaging the threaded inserts on the projector.



## Free Manuals Download Website

<http://myh66.com>

<http://usermanuals.us>

<http://www.somanuals.com>

<http://www.4manuals.cc>

<http://www.manual-lib.com>

<http://www.404manual.com>

<http://www.luxmanual.com>

<http://aubethermostatmanual.com>

Golf course search by state

<http://golfingnear.com>

Email search by domain

<http://emailbydomain.com>

Auto manuals search

<http://auto.somanuals.com>

TV manuals search

<http://tv.somanuals.com>