

CTM Series

Universal Flat-Panel Mounts

The CTM series is designed for mounting a flat-panel display to walls, as well as any of our dual-pole carts, stands or ceiling adapters. It features our Griplate™ System which supports the appropriate mounting hardware without needing excessive torque. The solid fit keeps the display level and securely in place.

- Models fit sizes starting at 24" up to 60"+ and beyond
- 16", 18" and 24" mounting slots
- 12° continuously adjustable tilt
- Built-in lateral shift for precise placement
- Set screws and security knobs for installation safety
- Optional theft-resistant PaneLock™ available
- Lifetime warranty
- Color: Black



CTM – for walls, ceilings or stands.



Add optional PaneLock™ to help prevent unauthorized display removal.

Close-up of Griplate™ System.

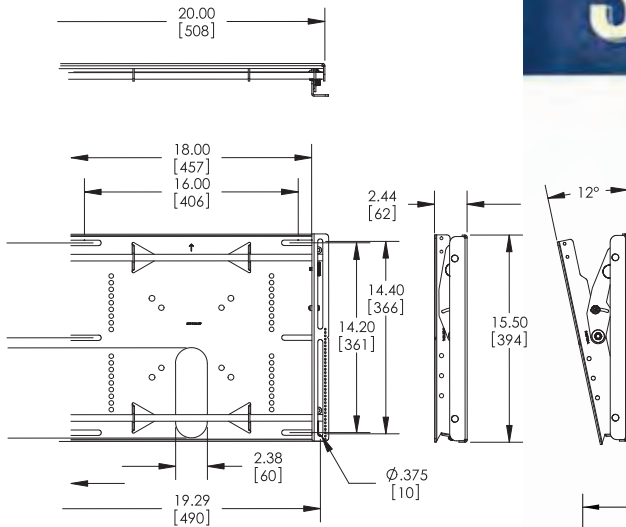


CTM-MS2 is ideal for floor stands and carts.

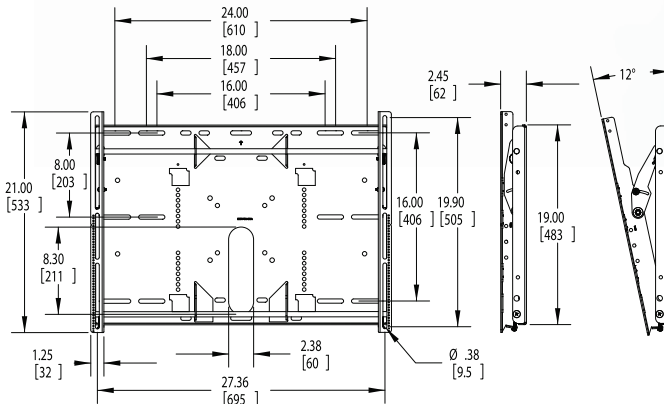
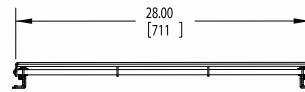
Model	Display Size	Application	Max. Wt.
CTM-MS1	24"-36"	Wall/Ceiling/Stand	160lbs. (73 kgs.)
CTM-MS2	37"-61"	Wall/Ceiling/Stand	160 lbs. (73 kgs.)
CTM-MS3	55"-63"	Wall/Ceiling/Stand	160 lbs. (73 kgs.)
CTM-MS4	60"+	Wall	300 lbs. (136 kgs.)



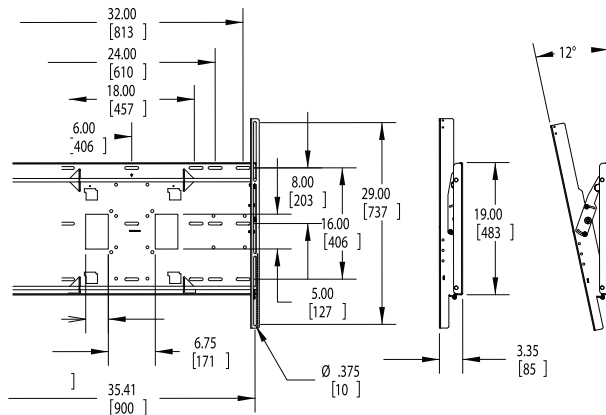
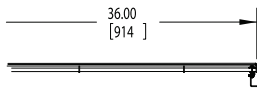
SPECIFICATIONS



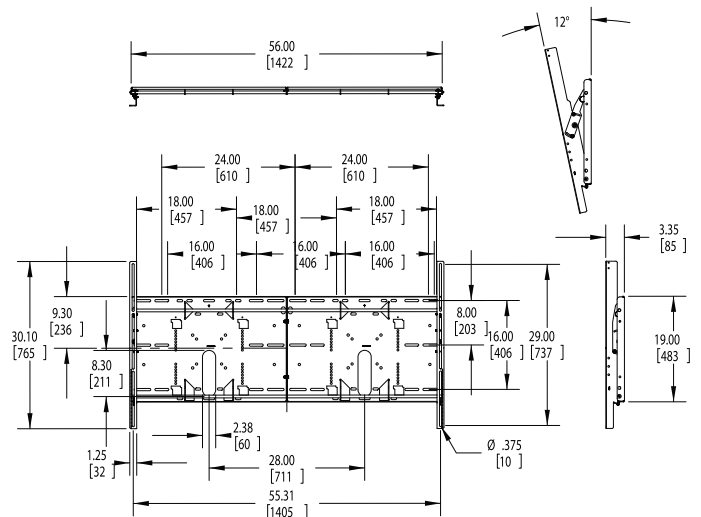
CTM-MS1



CTM-MS2



CTM-MS3



CTM-MS4

Dimensions are in inches and millimeters [mm].
Drawings are subject to change without notice.



800.368.9700 | www.mounts.com

Free Manuals Download Website

<http://myh66.com>

<http://usermanuals.us>

<http://www.somanuals.com>

<http://www.4manuals.cc>

<http://www.manual-lib.com>

<http://www.404manual.com>

<http://www.luxmanual.com>

<http://aubethermostatmanual.com>

Golf course search by state

<http://golfingnear.com>

Email search by domain

<http://emailbydomain.com>

Auto manuals search

<http://auto.somanuals.com>

TV manuals search

<http://tv.somanuals.com>