

PRODUCT SPECIFICATIONS SHEET

Model: Jazzy Elite 6

Manufacturer: Pride Mobility Products Corp.

Internet Address: www.pridemobility.com

Document Information: INFINF2804/Rev B/October 2012

Weight Capacity:	300 lbs. (136 kg)
Maximum Speed: ¹	Up to 3.7 mph (6 km/h)
Ground Clearance: ²	2.5 in. (6.35 cm) at battery box 1.875 in. (4.76 cm) at caster arm spring
Turning Radius: ²	25 in. (63.5 cm)
Overall Size: ^{2, 6}	Length: 41.5 in. (105.4 cm) with front riggings 36.5 in. (92.7 cm) without front riggings Width: 23.25 in. (59 cm)
Drive Wheels:	9 in. (22.86 cm), solid
Caster Wheels:	Rear: 6 in. (15.24 cm), solid Front: 5 in. (12.7 cm), solid
Suspension:	Limited
Range: ^{1, 4}	Up to 12.04 miles (19.37 km)
Component Weights: ⁵	Base: 79 lbs. (35.8 kg) Standard Seat and Controller: 52.5 lbs. (23.8 kg) Batteries: 21 lbs. (9.5 kg) each
Drivetrain:	Two motor, front-wheel drive
Brakes:	"Intelligent Braking" electronic regenerative, disc park brake
Batteries: ³	Two 12-volt, U-1 batteries
Battery Charger:	3.5-amp, off-board
Maximum Allowable Incline:	6° (10.5%)
Maximum Angle Capacity:	10° (17.6%)
Maximum Obstacle Climbing Ability:	2 in. (5 cm)

¹ Varies with base model, user weight, terrain type, battery amp hour rating (Ah), battery charge, battery condition, motors, controller type, tire type, and tire condition. This specification can be subject to a variance of +10%, -5%.

² Due to manufacturing tolerances and continued product improvement, this specification can be subject to variance of (+ or -) 3%.

³ AGM or Gel-Cell type required. See VI. "Batteries and Charging."

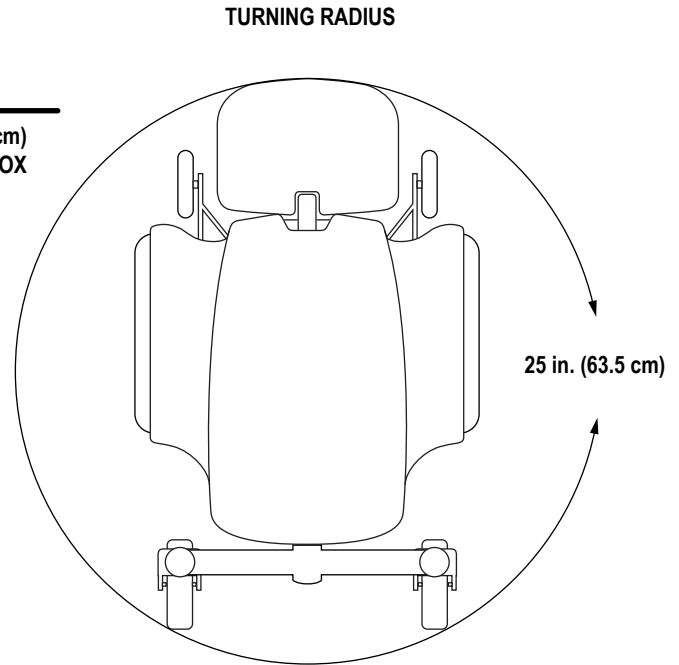
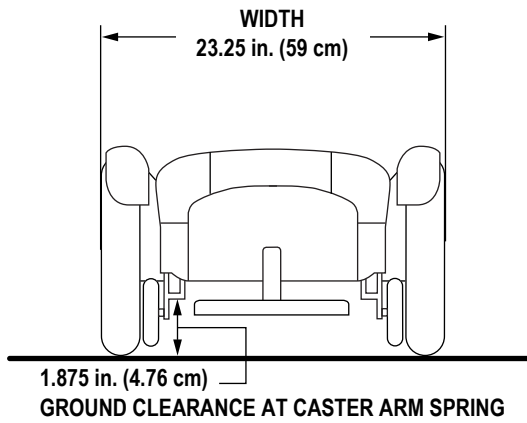
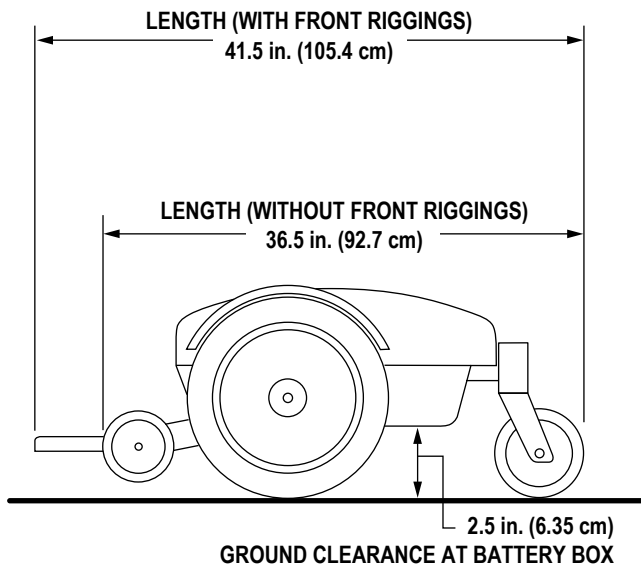
⁴ Tested in accordance with ANSI/RESNA WC Vol 2, Section 4 and ISO 7176-4 Standards. Results derived from theoretical calculation based on battery specifications and drive system performance. Test conducted at maximum weight capacity.

⁵ Battery weight may vary based on manufacturer.

⁶ Dimensions listed are for power base only. Overall measurements will vary based on seating and accessory selections.

NOTE: This product conforms to all applicable ANSI-RESNA testing requirements and ISO 7176 series EN12184 standards. All specifications subject to change without notice.

* I N F I N F B 2 8 0 4 *



* I N F I N F B 2 8 0 4 *

Free Manuals Download Website

<http://myh66.com>

<http://usermanuals.us>

<http://www.somanuals.com>

<http://www.4manuals.cc>

<http://www.manual-lib.com>

<http://www.404manual.com>

<http://www.luxmanual.com>

<http://aubethermostatmanual.com>

Golf course search by state

<http://golfingnear.com>

Email search by domain

<http://emailbydomain.com>

Auto manuals search

<http://auto.somanuals.com>

TV manuals search

<http://tv.somanuals.com>