

Jazzy 1105

Owner's Manual

ATTENTION:
Please read the content
of your owner's manual
before operating your
power chair.



How a Power Chair Should Feel!™

Pride
Mobility Products Corp.

Exeter, PA
St. Catharines, ON

1-800-800-8586

www.pridemobility.com

SAFETY GUIDELINES

Please read and follow all instructions in this owner's manual before attempting to operate your power chair for the first time. If there is anything in this manual you do not understand, or if you require additional assistance for set-up, contact your authorized Pride provider.

Using your Pride product safely depends upon your diligence in following the warnings, cautions, and instructions in this owner's manual. Using your Pride product safely also depends upon your own good judgement and/or common sense, as well as that of your provider, caregiver, and/or healthcare professional. Pride is not responsible for injuries and/or damage resulting from any person's failure to follow the warnings, cautions, and instructions in this owner's manual. Pride is not responsible for injuries and/or damage resulting from any person's failure to exercise good judgement and/or common sense.

The symbols below are used throughout this owner's manual to identify warnings and cautions. It is very important for you to read and understand them completely.



WARNING! Failure to heed the warnings in this owner's manual may result in personal injury.



CAUTION! Failure to heed the cautions in this owner's manual may result in damage to your power chair.

C O N T E N T S

I. INTRODUCTION	4
II. SAFETY	6
III. EMI/RFI	14
IV. THE JAZZY 1105	16
V. ASSEMBLY	20
VI. COMFORT ADJUSTMENTS	21
VII. DISASSEMBLY	25
VIII. OPERATION	27
IX. BATTERIES AND CHARGING	30
X. CARE AND MAINTENANCE	35
XI. OPTIONAL ACCESSORIES	41
XII. WARRANTY	44

I . I N T R O D U C T I O N

INTRODUCTION

Welcome to Pride Mobility Products Corporation (Pride). Congratulations on the purchase of your new Pride Power Chair. The Pride Power Chair design combines the most advanced state-of-the-art components with modern, attractive styling. We are certain that the design features and trouble-free operation of your new power chair will add convenience to your daily living.

At Pride, your safety is important to us. Please read and follow all of the instructions in this manual before you attempt to operate your power chair for the first time. These instructions were produced for your benefit. Your understanding of these instructions is essential for the safe operation of your new power chair.

Pride is not liable for damage to property or personal injury arising out of unsafe use of a power chair. Pride is also not liable for any property damage or personal injury arising out of the failure of any person and/or user to following the instructions and recommendations set forth in this manual or any other instructions or recommendations contained in other power chair related literature issued by Pride or contained on the power chair itself.

This owner's manual is compiled from the latest specifications and product information available at the time of publication. We reserve the right to make changes as they become necessary. Any changes to our products may cause slight variations between the illustrations and explanations in this manual and the product you have purchased.

If you experience any problems with your power chair that you are unable to solve, or if you do not feel capable of safely following any of the instructions and/or recommendations as contained in this manual, please contact your authorized Pride provider for assistance.

Once you understand how to operate and take care of your power chair, we are certain that it will give you years of trouble-free service and enjoyment.

Information Exchange

We want to hear your questions, comments, and suggestions about this manual. We would also like to hear about the safety and reliability of your new power chair, and about the service you received from your authorized Pride provider.

Please notify us of any change of address, so we can keep you apprised of important information about safety, new products, and new options that can increase your ability to use and enjoy your power chair. Please feel free to contact us at the address below:

Pride Mobility Products Corporation
Attn: Customer Care Department
182 Susquehanna Avenue
Exeter, PA 18643-2694
customer care@pridemobility.com
800-424-8205

I . I N T R O D U C T I O N

Pride Owners Club

As an owner of a Pride product, you are invited to register your product's warranty and enroll in the Pride Owners Club. You may do so by filling out and returning your enclosed registration card or by visiting Pride's web site at www.pridemobility.com. As a registered member, each time you visit our site, you will have access to the most interactive and honest educational venue available today for people with mobility needs, their families, and friends.

From our home page, select "Owners Club" to enter a page dedicated to current and potential Pride product owners. You will gain access to interviews, stories, recreation ideas, daily living tips, product and funding information, and interactive message boards. These message boards invited you to communicate with other Pride customers as well as Pride representatives who are available to assist you with any questions or concerns you may have.

My Authorized Pride Provider Is:

Name: _____

Address: _____

Phone Number: _____

Purchase Date: _____

NOTE: If you ever lose or misplace your product registration card or your copy of this manual, contact us and we will be glad to send you a new one immediately.

II. SAFETY

SAFETY



WARNING! Do not operate your new power chair for the first time without completely reading and understanding this owner's manual.

Your power chair is a state-of-the-art life-enhancement device designed to increase mobility. Pride provides an extensive variety of products to best fit the individual needs of the power chair user. Please be aware that the final selection and purchasing decision regarding the type of power chair to be used is the responsibility of the power chair user, who is capable of making such a decision, and his/her healthcare professional (i.e., medical doctor, physical therapist, etc.).

The contents of this manual are based on the expectation that a mobility device expert has properly fitted the power chair to the user and has assisted the prescribing healthcare professional and/or the authorized Pride provider in the instruction process for the use of the product.

There are certain situations, including some medical conditions, where the power chair user will need to practice operating the power chair in the presence of a trained attendant. A trained attendant can be defined as a family member or care professional specially trained in assisting a power chair user in various daily living activities.

As you begin using your power chair during daily activities, you will probably encounter situations in which you will need some practice. Simply take your time and you will soon be in full and confident control as you maneuver through doorways, on and off of elevators, up and down ramps, and over moderate terrain.

Below are some precautions, tips, and other safety considerations that will help the user become accustomed to operating the power chair safely.

Modifications

Pride has designed and engineered your power chair to provide maximum mobility and utility. A wide range of accessories is available from your authorized Pride provider to further customize your power chair to better suit your needs and/or preferences. However, under no circumstances should you modify, add, remove, or disable any feature, part, or function of your power chair.



WARNING! Do not modify your power chair in any way not authorized by Pride. Unauthorized modifications may result in personal injury and/or damage to your power chair.

Pre-Ride Safety Check

Get to know the feel of your power chair and its capabilities. Pride recommends that you perform a safety check before each use to make sure your power chair operates smoothly and safely. See X. "Care and Maintenance."

II. SAFETY

Perform the following inspections prior to using your power chair:

- Check for proper tire inflation. Maintain **30-35 psi** in each tire (if equipped with pneumatic tires).
- Check all electrical connections. Make sure they are tight and not corroded.
- Check all controller connections to the electronics tray. Make sure they are secured properly.
- Check the brakes. See X. "Care and Maintenance."
- Check battery charge. See IX. "Batteries and Charging."

NOTE: If you discover a problem, contact your authorized Pride provider for assistance.

Weight Limitations

Your power chair is rated for a maximum weight capacity. Please refer to the specifications table for this limit.



WARNING! Exceeding the weight capacity voids your warranty and may result in personal injury and/or damage to your power chair. Pride will not be held responsible for injuries and/or property damage resulting from failure to observe weight limitations.

WARNING! Do not carry passengers on your power chair. Carrying passengers on your power chair may result in personal injury and/or property damage.

Tire Inflation

If your power chair is equipped with pneumatic tires, you should check or have the air pressure checked at least once a week. Proper inflation pressures will prolong the life of your tires and help ensure the smooth operation of your power chair.



WARNING! It is important that 30-35 psi tire pressure be maintained in pneumatic tires at all times. Do not underinflate or overinflate your tires. Low pressure may result in loss of control, and overinflated tires may burst. Failure to maintain 30-35 psi tire pressure in pneumatic tires at all times may result in tire and/or wheel failure, causing serious personal injury and/or damage to your Jazzy.

WARNING! Inflate your power chair drive tires from a regulated air source with an available pressure gauge. Inflating your tires from an unregulated air source could overinflate them, resulting in a burst tire and/or personal injury.

Incline Information

More and more buildings have ramps with specified degrees of inclination, designed for easy and safe access. Some ramps may have turning switchbacks (180-degree turns) that require you to have good cornering skills on your power chair.

- Proceed with extreme caution as you approach the downgrade of a ramp or other incline.
- Take wide swings with your power chair's front wheels around any tight corners. If you do that, the power chair's rear wheels will follow a wide arc, not cut the corner short, and not bump into or get hung up on any railing corners.
- When driving down a ramp, keep the power chair's speed adjustment set to the slowest speed setting to ensure a safely controlled descent. See VIII. "Operation."
- Avoid sudden stops and starts.

II. SAFETY

When climbing an incline, try to keep your power chair moving. If you must stop, start up again slowly and then accelerate cautiously. When driving down an incline, set your power chair to the slowest setting and drive in the forward direction only. If your power chair starts to move down the incline faster than you anticipated or desired, allow it to come to a complete stop by releasing the joystick, then push the joystick forward slightly to ensure a safely controlled descent.



WARNING! When climbing an incline, do not zigzag or drive at an angle up the face of the incline. Drive your power chair straight up the incline. This greatly reduces the possibility of a tip or a fall. Always exercise extreme caution when negotiating an incline.

WARNING! You should not travel up or down a potentially hazardous incline (i.e., areas covered with snow, ice, cut grass, or wet leaves).

WARNING! When on any sort of an incline or decline, never place the power chair in freewheel mode while seated on it or standing next to it. Doing so may result in personal injury and/or damage to your power chair.

WARNING! Never travel down an incline backwards. This may result in personal injury.

WARNING! Even though your power chair is capable of climbing slopes greater than those illustrated in figure 1, do not, under any circumstances, exceed the incline guidelines or any other specifications presented in this manual. Doing so could cause instability in your power chair, resulting in personal injury and/or damage to your power chair.

In compliance with the Americans with Disabilities Act of 1990, all handicap public access ramps are required to have a maximum slope of 5°. Therefore, Pride recommends that the maximum slope of an incline you attempt to safely ascend or descend on your power chair does not exceed 5°. See figure 1.



WARNING! Any attempt to climb or descend a slope steeper than 5° may put your power chair in an unstable position and cause it to tip, resulting in personal injury.

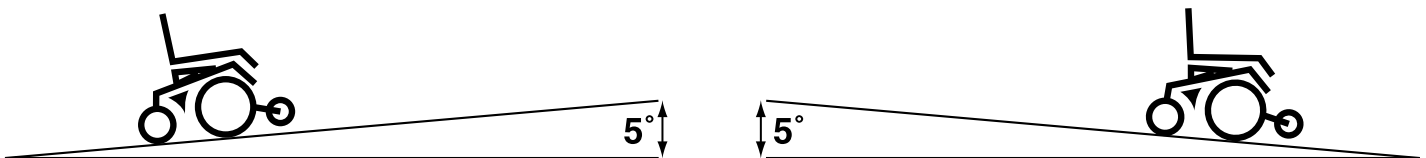


Figure 1. Maximum Safe Angle (Ascending and Descending)

Braking Information

Your power chair is equipped with two powerful brake systems:

1. Regenerative — uses electricity to rapidly slow the vehicle when the joystick returns to the center/stop position.
2. Disc Park Brake — activates mechanically after regenerative braking slows the vehicle to near stop, or when power is removed from the system for any reason.

II. SAFETY

Cornering Information

While your power chair is equipped with rear caster wheels in back and anti-tip wheels in front, excessively high cornering speeds can still create the possibility of tipping. Factors which affect the possibility of tipping include, but are not limited to: cornering speed, steering angle (how sharply you are turning), uneven road surfaces, inclined road surfaces, riding from an area of low traction to an area of high traction (such as passing from a grassy area to a paved area – especially at high speed while turning), and abrupt directional changes. High cornering speeds are not recommended. If you feel that you may tip over in a corner, reduce your speed and steering angle (i.e., lessen the sharpness of the turn) to prevent your power chair from tipping.



WARNING! When cornering sharply, reduce your speed. This greatly reduces the possibility of a tip or fall. To avoid personal injury and/or property damage, always exercise common sense when cornering.

Outdoor Driving Surfaces

Your power chair is designed to provide optimum stability under normal driving conditions—dry, level surfaces composed of concrete, blacktop, or asphalt. However, Pride recognizes that there will be times when you will encounter other surface types. For this reason, your power chair is designed to perform admirably on packed soil, grass, and gravel. Feel free to use your power chair safely on lawns and in park areas.

- Reduce your power chair's speed when driving on uneven terrain and/or soft surfaces.
- Avoid tall grass that can entangle the running gear.
- Avoid loosely packed gravel and sand.
- If you feel unsure about a driving surface, avoid that surface.

Freewheel Mode

Your power chair is equipped with a manual freewheel lever to allow for manual maneuverability by a trained attendant. For more information about how to place your power chair into and out of freewheel mode, see IV. "The Jazzy 1105."



WARNING! Do not use your power chair in freewheel mode without an attendant present. Personal injury may result.

WARNING! Do not attempt to personally place your power chair in freewheel mode while seated on it. Personal injury may result. Ask an attendant for assistance if necessary.

WARNING! Do not place your power chair in freewheel mode while on an incline. The chair could roll uncontrollably on its own, causing personal injury.

Stationary Obstacles (Steps, Curbs, etc.)

Proceed with extreme caution when driving near raised surfaces, unprotected ledges and/or drop-offs (curbs, porches, stairs, etc.). The correct method for approaching a curb is illustrated in figure 2.

II. SAFETY

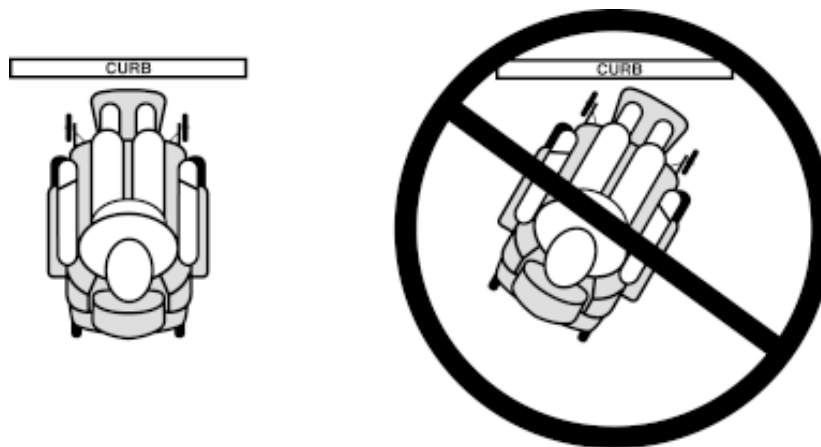


Figure 2. Curb Approach (Correct and Incorrect)



WARNING! Do not attempt to have your power chair climb or descend an obstacle that is higher than two inches unless you have the assistance of an attendant.

WARNING! Do not attempt to have your power chair proceed backward down any step, curb, or other obstacle. This may cause the power chair to tip and cause personal injury.

Public Streets and Roadways



WARNING! You should not operate your power chair on public streets and roadways. Be aware that it may be difficult for traffic to see you when you are seated on your power chair. Obey all local pedestrian traffic rules. Wait until your path is clear of traffic, and then proceed with extreme caution.

Stairs and Escalators

Power chairs are not designed to travel up or down stairs or escalators. Always use an elevator.



WARNING! Never use your power chair to negotiate steps or escalators. You may cause injury to yourself and to others and/or damage your power chair.

Doors

- Determine if the door opens toward or away from you.
- Drive your power chair gently and slowly forward to push the door open. Or drive your power chair gently and slowly backward to pull the door open.

II. SAFETY

Elevators

Modern elevators have a door edge safety mechanism that, when pushed, reopens the elevator door(s).

- If you are in the doorway of an elevator when the door(s) begin to close, push on the rubber door edge or allow the rubber door edge to contact the power chair and the door will reopen.
- Use care that pocketbooks, packages, or power chair accessories do not become caught in elevator doors.

EMI & RFI

Laboratory tests performed by the Food and Drug Administration (FDA) have shown that radio waves can cause unintended motion of electric mobility vehicles. Radio waves are a form of electromagnetic energy (EM). When EM adversely affects the operation of an electronic device, it is called Electromagnetic Interference (EMI) or Radio Frequency Interference (RFI). For more information, see III. "EMI/RFI."

Lift/Elevation Products

If you will be traveling with your power chair, you may find it necessary to use a lift/elevation product to aid in transportation. Pride recommends that you closely review the instructions, specifications, and safety information set forth by the manufacturer of the lift/elevation product before using that product.

Motor Vehicle Transport

Currently, there are no standards approved for tie-down systems in a moving vehicle of any type to transport a person while seated in a power chair.

Transfers

Transferring onto and off of your power chair requires a good sense of balance. Always have an attendant or healthcare professional present while learning to properly transfer yourself.

To eliminate the possibility of injury, Pride recommends that you or a trained attendant perform the following tasks before attempting a transfer:

- Turn the power off. See VIII. "Operation."
- Ensure your power chair is not in freewheel mode. See IV. "The Jazzy 1105."
- Turn both caster wheels toward the transfer destination to improve power chair stability during transfer.
- Make sure both armrests are flipped up or removed from your power chair.
- Flip the footrest up, or move the leg rests aside; this will help to keep your feet from getting caught on the footrest or the leg rests during the transfer.
- Reduce the distance between your power chair and the object you are transferring onto.



WARNING! Before transferring, position yourself as far back as possible in the power chair seat to prevent the power chair from tipping forward during transfer and causing injury.

WARNING! Avoid using your armrests for weight bearing purposes. Such use may cause the power chair to tip and cause personal injury.

WARNING! Avoid putting all of your weight on the footrest. Such use may cause the power chair to tip and cause personal injury.

II. SAFETY

Positioning Belts

Your authorized Pride provider, therapist(s), and other healthcare professionals are responsible for determining your requirement for a positioning belt in order to operate your power chair safely.

WARNING! If you require a positioning belt to safely operate your power chair, make sure it is fastened securely. Serious personal injury may result if you fall from the power chair.



WARNING! The positioning belt is not designed for use as a seat belt in a motor vehicle. Nor is your Jazzy suitable for use as a seat in any vehicle. Anyone traveling in a vehicle should be properly belted into seats approved by the vehicle manufacturer.

WARNING! Do not sit on your power chair while it is in a moving vehicle. Personal injury and/or property damage may result.

WARNING! Always be sure your power chair and its batteries are properly secured when it is being transported. Failure to do so may result in personal injury and/or damage to your power chair.

Inclement Weather Precautions



WARNING! Pride recommends that you do not operate your power chair in icy or slippery conditions or on salted surfaces (i.e., walks or roads). Such use may adversely affect the performance and safety of your power chair, resulting in an accident and personal injury.

WARNING! Do not expose your power chair to any type of moisture at any time (rain, snow, mist, or wash). Such exposure can damage your power chair. Never operate your power chair if it has been exposed to moisture until it has dried thoroughly.

Reaching and Bending

Never reach, lean, or bend while driving your power chair. If it is absolutely necessary to reach, lean, or bend while seated on your power chair, it is important to maintain a stable center of gravity and keep the power chair from tipping. Pride recommends that the power chair user determine his/her personal limitations and practice bending and reaching in the presence of a qualified healthcare professional.



WARNING! Do not bend, lean, or reach for objects if you have to pick them up from the floor by reaching down between your knees. Movements such as these may change your center of gravity and the weight distribution of the power chair. This may cause your power chair to tip, possibly resulting in personal injury. Keep your hands away from the tires when driving.

Batteries

In addition to following the warnings below, be sure to comply with all other battery handling information. For more information about your power chair's batteries, see IX. "Batteries and Charging."



WARNING! Power chair batteries are heavy. See specifications table. If you are unable to lift that much weight, be sure to get help. Lifting beyond your capacity can result in personal injury.

II. SAFETY



WARNING! Battery posts, terminals, and related accessories contain lead and lead compounds. Wash hands after handling.

WARNING! Always protect the batteries from freezing and never charge a frozen battery. Charging a frozen battery may result in personal injury and/or damage to the battery.

Preventing Unintended movement



WARNING! If you anticipate being seated in a stationary position for an extended period of time, turn off the power. This will prevent unexpected motion from inadvertent joystick contact. This will also eliminate the possibility of unintended chair movement from electromagnetic (EM) sources. Failure to do so may result in personal injury.

Prescription Drugs/Physical Limitations

Users must exercise care and common sense when operating a power chair. This includes awareness of safety issues when taking prescribed or over-the-counter drugs or when the user has specific physical limitations.



WARNING! Consult your physician if you are taking prescribed or over-the-counter medication or if you have certain physical limitations. Some medications and limitations may impair your ability to operate your power chair in a safe manner.

Alcohol

The power chair user must exercise care and common sense when operating his/her power chair. This includes awareness of safety issues while under the influence of alcohol.



WARNING! Do not operate your power chair while you are under the influence of alcohol, as this may impair your ability to operate your power chair in a safe manner.

Removable Parts



WARNING! Do not attempt to lift or move a power chair by any of its removable parts. Personal injury and/or damage to the power chair may result.

III. EMI / RFI

Laboratory tests performed by the Food and Drug Administration (FDA) have shown that radio waves can cause unintended motion of power chairs. Radio waves are a form of electromagnetic energy (EM). When this energy adversely affects the operation of an electronic device, it is called *Electromagnetic Interference (EMI)* or *Radio Frequency Interference (RFI)*.



WARNING! Radio waves may interfere with the control of power chairs.

EMI/RFI—FREQUENTLY ASKED QUESTIONS (FAQs)

The following FAQs summarize what you should know about EMI/RFI. Use this information to minimize the risk that EMI/RFI will affect your power chair.

Where do radio waves come from?

Radio waves are emitted from the antennas of cellular phones, mobile two-way radios (such as walkie-talkies), radio stations, TV stations, amateur radio (HAM) transmitters, wireless computer links, microwave sources, and paging transmitters. Radio waves are a form of EM. Because electromagnetic energy is more intense closer to the transmitting antenna (source of emission), the EM fields from two-way radios are of special concern to power chair users.

If my power chair is affected by EMI/RFI, what kind of motion should I expect?

This is hard to predict. It would depend on a number of factors:

- Strength of the radio waves
- Construction of the power chair
- Position of the power chair (whether it is on level ground or on an incline)
- Whether or not the power chair is in motion

An affected power chair's movement can be erratic. It may move by itself or come to a sudden stop. Furthermore, it is possible for EMI/RFI to unexpectedly release the brakes on a power chair. Some intense sources of EMI/RFI can even damage the control system of your Jazzy.

Is there any way to know for sure whether radio waves are responsible for the unintended motion of my power chair?

Unfortunately, interference from radio wave sources may be difficult to recognize, since the signals from these sources are invisible and may be intermittent. However, the FDA recommends that you report all incidents of unintended motion or brake release to the power chair manufacturer and, if possible, note whether there was a radio wave source nearby at the time of the incident.

Has anyone been hurt from erratic, unintended motion of power chairs?

The FDA has reports of injuries that resulted from the apparent uncontrolled motion of power chairs. However, it is unclear how many of these incidents were actually caused by radio wave interference.

Are all power chairs susceptible to EMI/RFI?

Each make and model of chair differs in its ability to resist electromagnetic interference. That is, each has a particular level of "immunity" to interference, measured in volts per meter (V/m). A higher immunity level

III. EMI/RFI

offers greater protection. In other words, a power chair with a high immunity level is less likely to be affected by a strong radio source than one with a low immunity level.

What is the FDA doing about the problem?

The FDA has written power chair manufacturers and requested that they test their new products to be sure that they provide a reasonable degree of immunity against EMI/RFI. The letter states that power chairs should have an immunity of at least 20 V/m. This provides a reasonable degree of protection against the common sources of EMI/RFI.

The FDA has also requested that these manufacturers clearly label their products with the immunity level, or state that the immunity level is not known. The labeling and informational material supplied with the power chair must explain what the immunity level means, and the labeling or informational material must warn users about the possibility of EMI/RFI and how to avoid it. In addition, the FDA has recommended that manufacturers establish an educational program to inform power chair users and their caregivers about the problems associated with EMI/RFI, and the actions they can take to minimize the risk. The FDA requested that power chair manufacturers have these actions implemented by December 2, 1994.

What can I do to find out if my power chair is likely to be affected by EMI/RFI?

If you've had your power chair for a long time and haven't experienced any unintended motion, it is not likely that you will have problems in the future. But it is always possible that problems could arise if you are close to a source of radio waves. Therefore, it is very important to be alert to this possibility. The Jazzy 1105 meets or exceeds an immunity level of at least 20 V/m.

What can I do to reduce the risk that my power chair could be affected by EMI/RFI?

Here are some precautions you can take:

- Do not turn on or use hand-held personal communications devices, such as citizens band (CB) radios and cellular phones, while the power chair is on.
- Be aware of nearby transmitters, such as radio or TV stations and hand-held or mobile two-way radios, and try not to come close to them. For example, if you are in a power chair with an immunity level of 20 V/m, you should remain at least three feet from a hand-held two-way radio and ten feet from a mobile two-way radio.
- Be aware that adding accessories and/or components, or modifying the power chair, may make it more susceptible to interference from radio wave sources. There is no easy way to evaluate their effect on the overall immunity of the power chair.

What should I do if my power chair moves unexpectedly?

If unintended motion or brake release occurs, turn the power chair off as soon as it is safe to do so.

If my power chair moves unexpectedly, where should I report this?

Call Pride at 1-800-824-8205 to report the incident.

IV. THE JAZZY 1105

THE JAZZY 1105

Your Jazzy 1105 has two main assemblies: the seat and the power base. See figure 1. There are a variety of seating options that are designed to accommodate most users. Typically, the seating assembly includes the armrests, seatback, seat base, and joystick controller. Your Jazzy seat may also have some optional accessories attached to it, such as a basket, a cane/crutch holder, a cup holder, or a power seat switch. See XI. "Optional Accessories" in this manual.

The power base is the heart of your Jazzy 1105. The power base assembly includes a frame, two drive wheels, two anti-tip wheels, two rear caster wheels, wiring harnesses, and a body shroud. See figures 2 and 3.



Figure 1. The Jazzy 1105

IV. THE JAZZY 1105

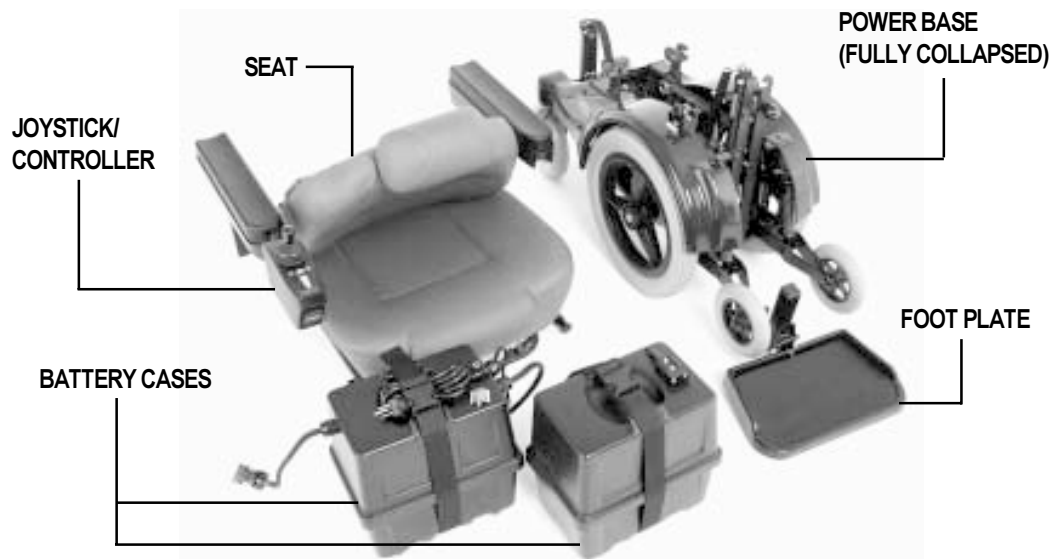


Figure 2. Jazzy 1105 Disassembled

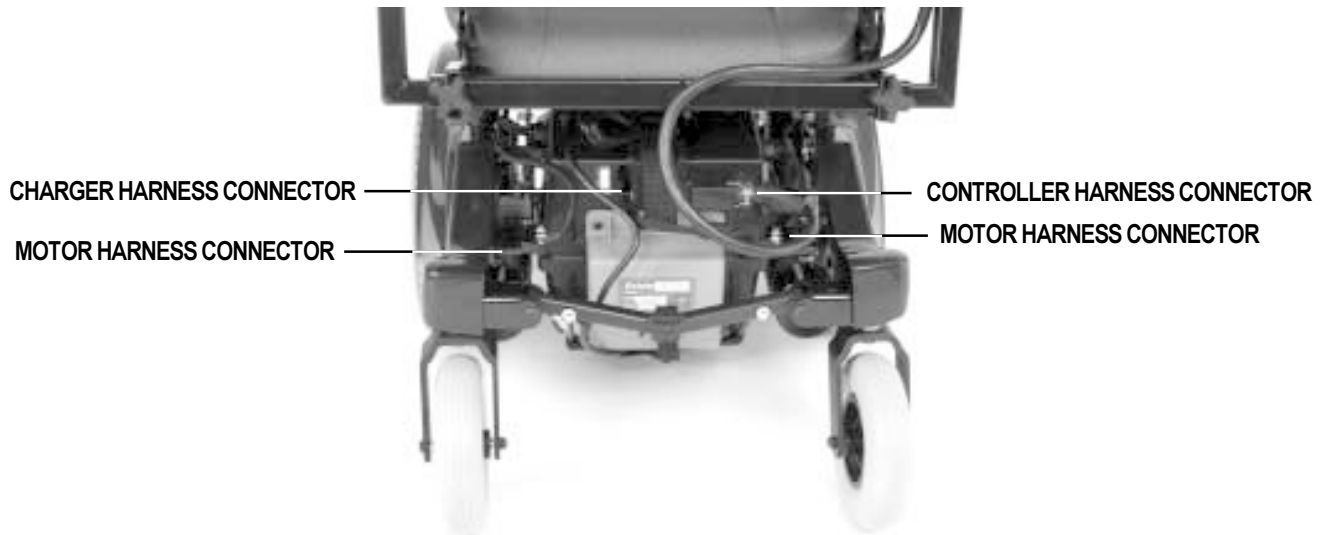


Figure 3. Jazzy Wiring Harnesses

IV. THE JAZZY 1105

FREEWHEEL LEVERS

For convenience, your Jazzy 1105 is equipped with two freewheel levers. These levers allow you to disengage the drive motors and maneuver the chair manually.



WARNING! Do not use your Jazzy while the drive motors are disengaged unless you are in the presence of an attendant! Avoid placing the Jazzy 1105 in freewheel on an incline as the unit could roll on its own, causing injury.



CAUTION! It is important to remember that when your Jazzy is in freewheel mode, the braking system is disengaged.

To engage or disengage the freewheel feature:

1. Locate the two (2) metal freewheel levers connected to the motors. See figure 4.
2. Turn the levers outward from the center of the Jazzy 1105 to disengage the drive motors.
3. Turn the levers inward toward the center of the Jazzy 1105 to engage the drive motors.
4. If a lever is difficult to move in either direction, rock the Jazzy 1105 back and forth slightly. The lever should then move to the desired position.



Figure 4. Freewheel Levers

IV. THE JAZZY 1105

SPECIFICATIONS	
Suspension:	Limited
Drive Wheels:	14 in.
Rear Casters:	9-in. solid, rear articulating
Anti-tip:	6-in. solid tires, front mounted
Max. Speed:	4.5 mph
Brakes:	“Intelligent Braking” electronic regenerative, disc park brake
Ground Clearance:	3.25 in.
Turning Radius:	19.5 in.
Overall Size:	Length: 39.5 in. Width: 12 7/8 in. folded; 23 in. fully open
Seating Options:	Medium Back High Back Synergy Seat
Drive Train:	Two-motor, mid-wheel
Batteries:	Two 12 volt, NF-22 Batteries
Range:	Up to 25 miles
Battery Charger:	Onboard
Electronics:	50 amp Pilot Controller
Weight Capacity:	250 lbs.
Jazzy Weights:	Base: 71 lbs. Seat: 29 lbs.
Batteries with case:	38 lbs. each
Warranty:	Lifetime limited warranty on frame 2-year electronics warranty 18 months on drive motors

V. ASSEMBLY

Normally, your Jazzy is shipped fully assembled for your convenience. However, some seatbacks are removed for shipping purposes. The following is a set of instructions to help you quickly and easily prepare your Jazzy 1105 for immediate use. You will need a Phillips head screwdriver and a 3/16-in. hex wrench.

PARTS LIST	QUANTITY
Phillips Head seatback mounting screws	4
Seatback	1
8-in. wire ties	1

SEATBACK ASSEMBLY

The seatback mounts to the back hinges with four (4) Phillips head screws.

To mount the seatback to the hinge:

1. Line up the hinges with the holes in the seatback.
2. Insert the seatback mounting screws through the hinge and into the seatback. See figure 5.
3. Tighten the four screws.

SEAT INSTALLATION

The standard seat installation method incorporates the seat frame (H-frame) and four (4) adjustable seatposts located on the power base.

SEAT MOUNTING SCREW LOCATIONS

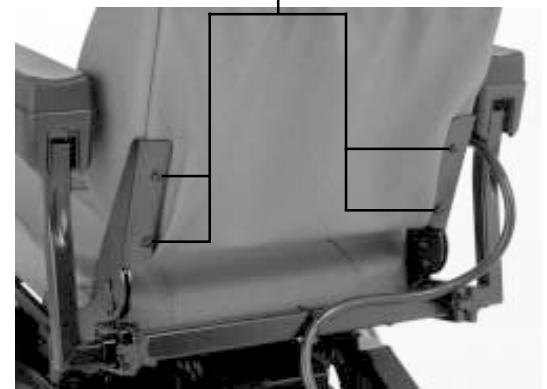


Figure 5. Seatback Assembly



WARNING! Do not pick up the seat frame by the armrests. They are free to pivot, and you may lose control of the seat if they do so, resulting in personal injury or damage to the chair.

To install the seat:

1. Set seat on the rear seat towers.
2. Push seat back and down until latches engage on the front seat towers.
3. Plug controller cable into the connector on the utility tray.
4. Plug power switch cable (if equipped) into the connector on the utility tray.
5. Secure the controller cable to the armrest receiver with a wire tie.



CAUTION! Do not place the controller cable so that it can be pinched in the seat frame or the power base frame.

JOYSTICK INSTALLATION

Your Jazzy may have been shipped without the joystick installed in the armrest.

To install the joystick:

1. Use a 3/16-in. hex wrench to loosen the setscrew. See figure 6.
2. Slide the joystick mounting bracket into or out of the armrest to the desired position.
3. Retighten the setscrew by it turning clockwise.

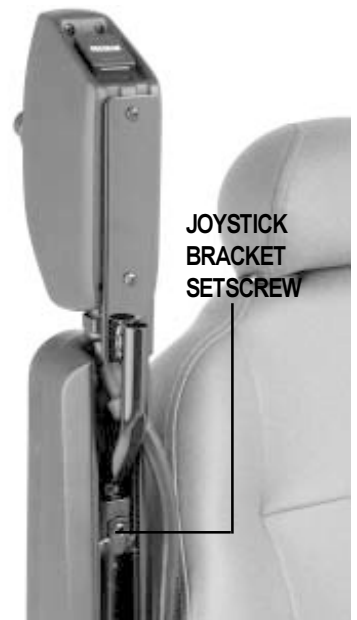


Figure 6. Joystick Installation

VI. COMFORT ADJUSTMENTS

After you have had your Jazzy for an extended period of time, you may find the need to make a few adjustments. Some of these adjustments may degrade your Jazzy's performance by changing its center of gravity.



WARNING If your Jazzy was configured at your authorized Pride provider, please consult your healthcare professional before changing the seat position or making any other adjustment. Some adjustments may degrade your Jazzy's performance and safety by changing its center of gravity.

SEAT HEIGHT AND SEAT ANGLE

You can change the seat height by raising or lowering the seat towers. You can change the seat angle by raising or lowering either the front two towers or the back two towers only.

To change the seat height:

1. Remove the seat.
2. Remove the ball detent pins in each of the four seat posts. You may need to remove the battery cases to access one or more of these pins. See VII. "Disassembly."
3. Move the seat posts to desired height and reinsert ball detent pins.
4. If you wish to change the seat angle, change the height of only one set (either front or back) of seat towers.
5. Reinstall the seat.

To change the seat angle:

1. Remove the seat hinge bolts with a 5/32-in. hex key and a 7/16-in. wrench. See figure 7.
2. Adjust seatback to desired angle and reinsert the seat hinge bolts.
3. Tighten bolts with the hex key and wrench.

SEATBACK RELEASE LEVER OPTION

If your Jazzy is equipped with a reclining seat, you can adjust the seatback angle.

To adjust the seatback angle:

1. Press down on the seatback release lever. See figure 8.
2. Move the seatback down or up to the desired position.
3. Release the seatback release lever.

ARMREST WIDTH

To change the armrest width:

1. Locate the two knobs on the armrest receiver bracket. See figure 9.
2. Loosen the knobs. Slide the armrests in or out for desired width.
3. Retighten the knobs.



Figure 7. Seat Angle



Figure 8. Seatback Release Lever Option



Figure 9. Armrest Width

VI. COMFORT ADJUSTMENTS

ARMREST ANGLE

You can adjust the armrest angle to fit your specific needs.

To change the armrest angle:

1. Lift the armrest straight up so that it is perpendicular to the floor.
2. Use a 5/32-in. hex wrench to loosen the hex screw. See figure 10.
3. Turn the screw counterclockwise to raise the front of the armrest and clockwise to lower the front of the armrest.
4. Lock into place by tightening the 7/16-in. nut.

JOYSTICK EXTENSION

The joystick control can easily be adjusted out away from the armrest or in toward the armrest.

To extend the joystick:

1. Use a 3/16-in. hex wrench to loosen the setscrew. See figure 11.
2. Slide the joystick mounting bracket into or out of the armrest to the desired position.
3. Retighten the setscrew by turning clockwise.

SWING-AWAY JOYSTICK

Your Jazzy may be equipped with a swing-away joystick. This option enables you to move the joystick from the front of the armrest to the side of the armrest without disconnecting it.

FOOT PLATFORM HEIGHT

The foot platform height is easily adjusted to six different heights. See figure 12.

To raise or lower the platform:

1. Remove the two 7/16-in. bolts from the platform.
2. Raise or lower the platform to your desired height.
3. Reinstall the two 7/16-in. bolts into the platform.



Figure 10. Armrest Angle

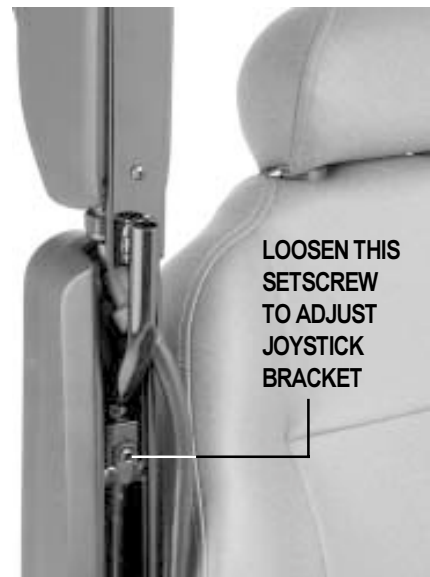


Figure 11. Joystick Extension

VI. COMFORT ADJUSTMENTS

FOOT PLATFORM ANGLE

You can adjust the angle of the foot platform with a 3/16-in. hex wrench. See figure 12.

To adjust the foot platform angle:

1. Turn the set screw clockwise to raise the front of the footrest.
2. Turn the set screw counterclockwise to lower the front of the footrest.

SWING-AWAY FOOTREST OPTION

Swing-away footrests are an option. They enable you to move the leg rest to the side before getting off or on the Jazzy.

To move the swing-away footrests:

1. Push in the release lever.
2. Move the swing-away footrests.

ELEVATING LEG REST OPTION

Elevating Leg Rests (ELRs) offer a wide range of adjustments for leg comfort.

To adjust the ELR angle:

1. Press the release lever.
2. Move the leg rest to the desired angle.

To adjust the ELR footrest height:

1. Loosen the 13-mm bolt on the bottom of the foot plate.
2. Slide the footrest in or out to the desired length.
3. Tighten the 13-mm bolt.

HIGH BACK WITH HEADREST

If your Jazzy is equipped with the deluxe high back seat, you can adjust the headrest height.

To adjust the headrest height:

1. Push in the headrest release button.
2. Move the headrest up or down to the desired position.

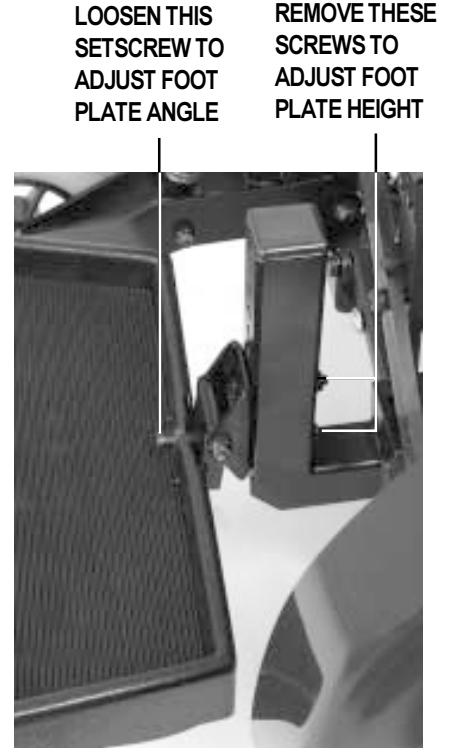


Figure 12. Foot Platform Angle and Height

VI. COMFORT ADJUSTMENTS

ANTI-TIP WHEEL ADJUSTMENT

The anti-tip wheels are designed to give the Jazzy increased stability on rough surfaces. The anti-tip wheels are preset at the factory to a ground clearance height of 3/4-in. This setting is only for smooth surfaces or indoor use. If you plan on using your Jazzy on rough surfaces, it may be necessary to adjust the anti-tip wheels to better suit your needs.

The anti-tip wheels may need adjustment if either of the following occurs:

- When coming to a stop, the Jazzy tips forward excessively
- The anti-tip wheels constantly rub the ground

Each drive tire must have 30–35 lbs. of pressure in order to adjust the anti-tip wheels properly.

To adjust the anti-tip wheels:

1. Remove the seat.
2. Use a 5/32-in. hex wrench to loosen and remove the hex screws that fasten the body shroud to the frame.
3. Remove the both body shrouds.
4. Adjust the 13-mm nut so that the anti-tip wheel is 1/2 to 1 inch off the ground. See figure 13.
5. Turn the nut clockwise to lower the anti-tip wheel and counterclockwise to raise the anti-tip wheels.



WARNING! Consult your authorized Pride provider before attempting to change the anti-tip wheel height! Changing the anti-tip wheel height affects handling under deceleration!

WARNING! The higher you raise the anti-tip wheels, the more you increase your power chair's tendency to tilt forward when coming to a stop. You can compensate for this by having your authorized Pride provider make a small adjustment to the pre-programmed deceleration setting in the controller or by moving the seat assembly further to the rear of your power chair.



Figure 13. Anti-tip Wheel Adjustment

VII. DISASSEMBLY

You can disassemble your Jazzy 1105 into five pieces, including a folding power base.

To disassemble your Jazzy 1105:

1. Turn power off.
2. Make sure the unit is not in freewheel. See IV “The Jazzy 1105.”
3. Unplug the controller harness from behind the seat. See figure 14.
4. Unplug the charger connector from the battery case.
5. Depress the two seat release buttons on the front of the seat frame simultaneously while lifting the front of the seat. See figure 15.
6. Lift the seat up and gently lower it back onto the front seat towers.
7. Pull the seat forward and lift it off the rear seat towers.
8. Disconnect the motor harness connector from each motor.
See figure 16.
9. Disconnect the charger harness connector.
10. Disconnect the battery case straps. See figure 17.
11. Disconnect the batteries.
12. Remove the battery cases.
13. Use a 3/16-in. hex socket or wrench to remove the rigidizing screw.
See figure 18.
14. Move the safety bar over to the right side. See figure 19.
15. Lift up and remove the foot plate. See figure 20.
16. Lift up Jazzy power base using carrying strap. See figure 21.

The Jazzy 1105 power base weighs 71 lbs. and the batteries weigh approximately 38 lbs. each. If you are unable to lift that much weight, be sure to seek help.



WARNING! Lifting weight above your capacity could result in injury.

DISCONNECT THE HARNESS
BEFORE REMOVING THE SEAT



Figure 14. Controller Harness

SEAT RELEASE BUTTONS

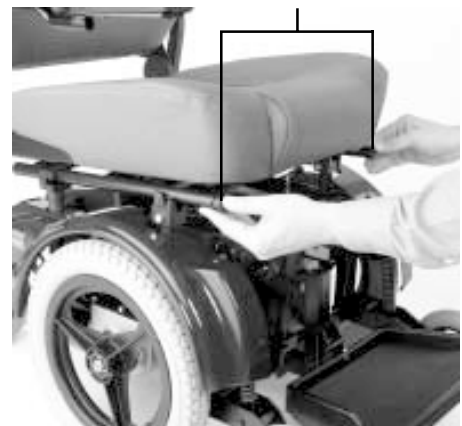


Figure 15. Removing the Seat

MOTOR
HARNESS
CONNECTOR



Figure 16. Disconnecting the Motor Harness Connector

VII. DISASSEMBLY

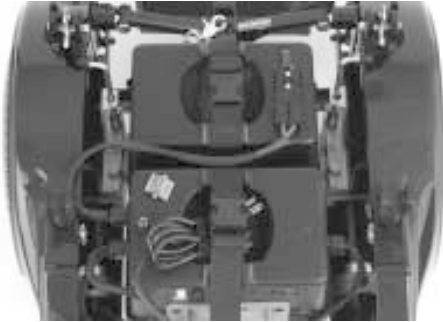


Figure 17. Battery Case Straps

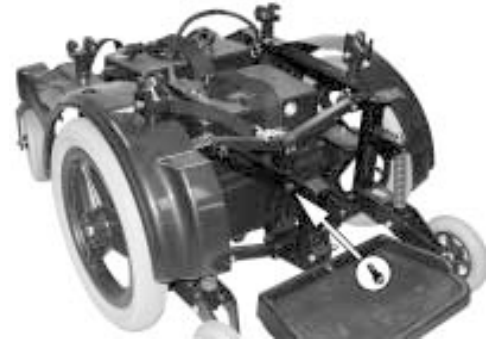


Figure 18. Rigidizing Screw



Figure 19. Safety Bar



Figure 20. Foot Plate Removal



Figure 21. Carrying the Jazzy Power Base

VIII. OPERATION

JOYSTICK AND CONTROLLER

Your Jazzy is operated by the joystick and controller. The Jazzy 1105 is currently available with one controller option: Pilot controller. See figure 22.



Figure 22. Pilot Controller

To operate your Jazzy:

1. Turn the power on (push the on/off key). The battery condition meter lights, indicating the present charge of your battery.
2. Push the joystick in the direction you wish to move. The further you push the joystick from the neutral (center) position, the faster your Jazzy 1105 moves.

CONTROLLER FUNCTIONS

The controller translates the speed and the directional information from the joystick to the motors. It has self-diagnostic features that are designed to search for potential problems at the rate of 100 times per second. If the controller detects a problem in the power chair's electrical system, the power chair may, depending on the severity of the problem, stop functioning. See "Trouble Codes."

The controller is designed to maximize user safety under normal operating conditions. This controller, however, cannot take into account circumstances that put your Jazzy 1105 outside of its normal operating environment as described within this manual. It is very important that you follow the precautions described within this manual.



WARNING! Under strenuous driving conditions, it is possible for the bottom and side case temperatures of the Pilot to exceed 105°F. DO NOT touch the side or bottom of the Pilot case under these circumstances.

VIII. OPERATION

PILOT CONTROLLER

The Pilot controller is an integral controller. This means that the joystick is housed in the same enclosure as the controller module. See figure 23. This assembly is mounted on the seat arm. The Pilot controller is connected to the motors, the batteries, and the battery charger through a cable that connects to the utility tray.

Joystick Functions

The joystick functions are similar for all controller configurations. The joystick controls the direction and speed of the power chair. See figure 24. When you move the joystick from the neutral (center) position, the electromagnetic brakes release and allow the power chair to move. The further you push the joystick from its neutral position, the faster your Jazzy moves. When you release the joystick and allow it to return to the neutral position, you engage the electromagnetic brakes. This causes the chair to decelerate and come to a complete stop.

WARNING! If your power chair begins to move in an unexpected manner, immediately release the joystick. Unless the joystick is damaged, this action should stop your power



WARNING! Unless faced with an emergency situation, do not use the on/off key to stop the chair. This will cause the power chair to stop abruptly.

WARNING! Always turn the power off when you are stationary to prevent unexpected movement.

Speed and Response Adjustment

The Pilot joystick controller is equipped with a speed and response adjustment knob that allows you to select the speed and response settings best suited to your requirements and environment. See figure 23. When you increase the speed (clockwise) or decrease the speed (counterclockwise), appropriate changes are automatically made to the sensitivity.

Note: We recommend that the first few times you operate your Jazzy 1105 you turn the speed and response adjustment knob to the slowest setting until you to become familiar with your new power chair.

Battery Condition Meter

The battery condition meter is located immediately in front of the joystick. See figure 23. This enables you to monitor battery life. The battery condition meter indicates the approximate amount of battery life left.

- Red, yellow, and green bars indicate that the batteries are fully charged.
- Red and yellow bars indicate that you should charge the batteries if possible.



Figure 23. Pilot Joystick Features

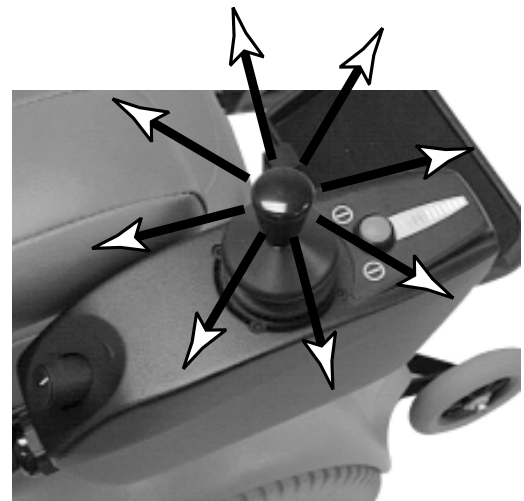


Figure 24. Joystick Movement

VIII. OPERATION

- Red bars indicate that you should charge the batteries as soon as possible, because low battery voltage may cause your Jazzy to become inoperative.

Note: When the batteries approach a discharged state, the first red bar will begin to slowly flash, reminding you the batteries need to be charged immediately!

Thermal Rollback

The Pilot controller is equipped with a thermal rollback circuit. This circuit monitors the temperature of the motors and the controller. In the event that the motors or the controller become excessively hot (above 122° F), the controller reduces the motor voltage. For every degree above 122° F, the controller reduces the voltage by 5 volts. This reduces your Jazzy's speed and allows the electrical components to cool down. When the temperature returns to a safe level, your Jazzy 1105 resumes its normal speed.

Charger Inhibit Plug Connection

The charger inhibit connector on the utility tray is coded with colored dots. The dots are positioned so that you align the flat side of the male connector with the flat side of the female connector before making the connection.



CAUTION! Failure to properly align the connectors can result in damage to the controller, the charger harness, and the connectors.

Trouble Codes

In addition to indicating the current state of battery charge, the battery condition meter can also indicate possible problems with your Jazzy 1105. The battery condition meter has ten individual bars. The bars provide information by the number of bars that are flashing. If the meter is flashing rapidly, the controller may be indicating a fault. For instance, the very first red bar flashing rapidly indicates the battery voltage is nearly depleted. The following is a list of the possible errors signified by the rapidly flashing meter.

BARS	DIAGNOSIS	SOLUTION
10 Green	High Battery Voltage	Check Batteries
9 Green	Solenoid Brake Fault	Check Motor/Brake Wiring
8 Green	Possible Controller Fault	See Authorized Provider Service Center
7 Yellow	Possible Joystick Fault	See Authorized Provider Service Center
6 Yellow	Inhibit Active	Unplug Charger/Check Connections
5 Yellow	Right Motor Wiring Fault	Check Right Motor Wiring
4 Yellow	Right Motor Disconnected	Check Right Motor Wiring
3 Red	Left Motor Wiring Fault	Check Left Motor Wiring
2 Red	Left Motor Disconnected	Check Left Motor Wiring
1 Red	Low Battery Voltage	Check Batteries/Battery Wiring

If you cannot resolve your problem, see an authorized Pride provider or service center.

IX. BATTERIES AND CHARGING

BATTERIES

Your Jazzy 1105 uses two long-lasting, 12-volt batteries. These batteries are sealed, maintenance free, deep-cycle batteries. Since they are sealed, there is no need to check the electrolyte (fluid) level. Deep-cycle batteries are designed to handle a longer and deeper discharge. Though they are similar in appearance to automotive batteries, they are not interchangeable. Automotive batteries are not designed to handle a long, deep discharge and also are unsafe for use in power chairs.



WARNING! Battery posts, terminals and related accessories contain lead and lead compounds. Wash hands after handling.

WARNING! Always protect batteries from freezing temperatures and never charge a frozen battery. This damages the battery and may cause personal injury. Attempting to charge a battery in freezing conditions does not prevent a battery from freezing.

CHARGING THE BATTERIES

The battery charger is essential in providing long life for your Jazzy 1105 batteries. See figure 25. The battery charger is designed to optimize your Jazzy 1105's performance by charging the batteries safely, quickly, and easily. The charging system consists of the charger, the charger fuse and the ammeter, all of which can be located on the rear battery box. The ammeter and the charger are only functional when the charger power cord is plugged into a wall outlet. The Jazzy will not operate when the charger is plugged into the wall outlet.



WARNING! Never use an extension cord to plug in your battery charger. Plug the charger directly into a properly wired standard wall outlet.

WARNING! You must recharge your Jazzy's batteries with the supplied onboard or off-board charging system. Do not use an automotive-type battery charger.

To charge the batteries using the onboard battery charger:

1. Position the rear of your Jazzy 1105 close to a standard wall outlet.
2. Be certain the controller power is turned off and the freewheel levers are in the engaged position. See IV. "The Jazzy 1105" in this manual.
3. Lift off the rear cover.
4. Extend the charger power cord and plug it into the wall outlet. The Jazzy 1105 incorporates an inhibit function that disables the power chair when the charger is plugged into a wall outlet.
5. The ammeter indicates how much charge is needed to fully charge the batteries. Wait about a minute for the charger to warm up. The ammeter may move as high as 5.5 amps, then gradually move back down to 0 amps as the batteries charge.
6. We recommend you charge the batteries for 8 to 14 hours. As the batteries charge, the ammeter needle slowly drops to zero. When the batteries are fully charged, the needle vibrates on or near the zero mark on the ammeter scale.
7. When your Jazzy 1105's batteries are fully charged, you can unplug the power cord from the wall outlet, wind it up using the hook and loop strap, and place the cord back into the rear tray.
8. Secure the rear cover.

IX. BATTERIES AND CHARGING

OFF-BOARD CHARGER



CAUTION! Only chargers with Neutrik NC3MX plugs should be connected to the off-board charger/programming socket. See your authorized Pride provider for more information.

If your Jazzy is equipped with an off-board charger, follow these instructions:

1. Position your Jazzy next to a standard wall outlet.
2. Be certain the controller power is turned off.
3. Remove the run plug located on the utility tray. This activates the inhibit function.
4. Plug the 3-pin extension cable into the charger, then into the utility tray connector.
5. Plug the charger into the wall outlet.
6. The ammeter indicates how much charge is needed to fully charge the batteries. Wait about a minute for the charger to warm up. The ammeter should move all the way up to 5 amps, then gradually move back down to 0 amps.
7. We recommend you charge the batteries for 8 to 14 hours. As the batteries charge, the ammeter needle slowly drops to zero. When the batteries are fully charged, the needle vibrates on or near zero on the ammeter scale.
8. When your Jazzy 1105's batteries are fully charged, disconnect the charger cord from the wall outlet.
9. Disconnect the charger from the rear utility tray.
10. Reconnect the run plug into its connector.

Note: If the run plug is not reconnected, your Jazzy will not run.

11. Replace the rear cover.

BATTERY BREAK-IN

To break in new batteries for maximum efficiency:

1. Fully recharge any new battery prior to its initial use. This brings the battery up to about 90% of its peak performance level.
2. Operate your Jazzy 1105 about the house and yard. Move slowly at first, and don't stray too far until you become accustomed to the controls and break in the batteries.
3. Give the batteries another full charge of 8 to 14 hours and operate your Jazzy 1105 again. The batteries should now perform at over 90% of their potential.
4. After four or five charging cycles, the batteries top off at 100% charge and last for an extended period.

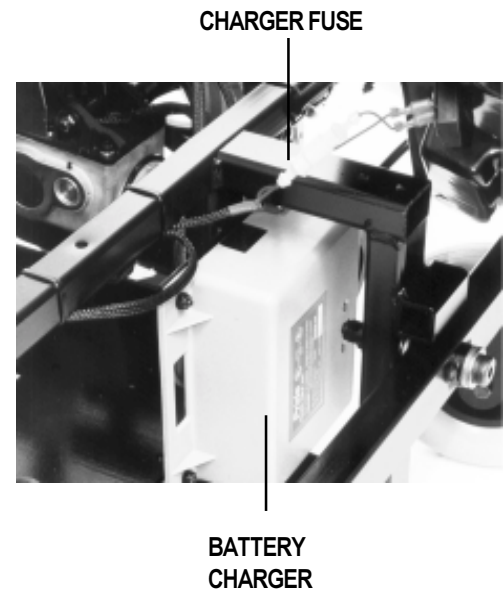


Figure 25. Onboard Battery Charger

IX. BATTERIES AND CHARGING

BATTERIES AND CHARGING—FREQUENTLY ASKED QUESTIONS (FAQS)

How does the charger work?

The battery charger takes the standard wall outlet voltage of 120 VAC (alternating current) and converts it to 24 VDC (direct current). The Jazzy 1105 batteries use direct current to run your power chair. When the battery voltage is low, the charger works harder to charge the battery. This is why the charging ammeter initially reads 5 or more amps. As the battery voltage approaches full charge, the charger doesn't work as hard to complete the charging cycle. This explains why the charging ammeter drops as it approaches a full charge. When the battery is fully charged, the amperage from the charger is nearly at zero. This is how the charger maintains a charge but does not overcharge the battery.

Can I use a different battery charger?

You should use the charger supplied with the Jazzy 1105. It is the safest, most efficient tool to charge the batteries. We do not recommend using other types of chargers (e.g., an automotive battery charger). Your Jazzy 1105's charger will not operate after the batteries have been discharged to nearly zero voltage. If this happens, call your authorized provider for assistance.

How often must I charge the batteries?

Many factors come into play when deciding how often to charge the batteries. You may use your Jazzy 1105 all day on a daily basis or you may not use it for weeks at a time.

■ Daily Use

If you use your Jazzy 1105 on a daily basis, charge the batteries as soon as you are finished. Your Jazzy 1105 will be ready each morning to give you a full day's service. It is recommended that you charge the batteries 8 to 14 hours after daily use. Do not charge the batteries for more than 24 hours at a charging cycle.

■ Infrequent Use

If you use your Jazzy 1105 infrequently (once a week or less), you should charge the batteries at least once per week for 12 to 14 hours.

Note: Keep your batteries fully charged and avoid deeply discharging your batteries. Do not charge the batteries for more than 24 hours at a charging cycle.

How can I get maximum range or distance per charge?

Rarely do you have an ideal driving situation such as smooth, flat, hard terrain with no wind, hills or curves. More often you are presented with hills, sidewalk cracks, uneven and loosely packed surfaces, curves, and wind. All of these factors affect the distance or running time per battery charge. The following are a few suggestions for obtaining the maximum range per charge.

- Always fully charge the batteries prior to your trip.
- Maintain 30–35 psi in pneumatic drive wheels.
- Plan your trip in advance to avoid inclines if possible.
- Limit baggage weight to essential items.
- Try to maintain an even speed and avoid stop-and-go driving.

IX. BATTERIES AND CHARGING

What type of battery should I use?

We recommend deep-cycle batteries that are sealed and maintenance free. Both sealed lead-acid (SLA) and gel cell are deep-cycle batteries that are similar in performance.

Use these specifications to reorder deep-cycle batteries:

Battery Specifications	
Type:	Deep-cycle sealed lead-acid or gel cell
Size:	NF-22
Voltage:	12 volts each
Amperage:	45 - 55 amp hours



WARNING! Corrosive chemicals contained in batteries. Use only AGM or Gel-Cell batteries to reduce the risk of leakage or explosive conditions.

Why do my new batteries seem weak?

Deep-cycle batteries employ a much different chemical technology than that used in car batteries, nickel-cadmium (nicads), or in other common battery types. Deep-cycle batteries are specifically designed to provide power, drain down their charge, and then accept a relatively quick recharge. Lead acid batteries should be charged as often as possible. They do not have a “memory” like nickel-cadmium batteries.

We work closely with our battery manufacturer to provide a battery that best suits your Jazzy 1105’s specific demands. Fresh batteries arrive regularly at Pride and are promptly shipped with a full charge. During shipping, the batteries encounter temperature extremes that may influence initial performance. Heat robs the charge from the battery, and cold slows the power available and extends the time needed to recharge the battery (just as with a car battery).

It might take a few days for the temperature of the battery to stabilize and adjust to its new ambient temperature. More importantly, it takes a few “charging cycles” (a partial drain—then a full recharge) to establish the critical chemical balance that is essential to the battery’s peak performance and long life. It is well worth it to take the time to break in your battery properly.

Note: The useful life of a battery is quite often a reflection of the care it receives.

How can I ensure maximum battery life?

A fully charged deep-cycle battery provides reliable performance and extended battery life. Keep your Jazzy’s batteries fully charged whenever possible. Batteries that are regularly and deeply discharged, infrequently charged, or stored without a full charge may be permanently damaged, causing unreliable Jazzy operation and limited battery life.

IX. BATTERIES AND CHARGING

How should I store my Jazzy 1105 and its batteries?

If you do not use your Jazzy 1105 regularly, we recommend maintaining battery vitality by charging the batteries at least once a week.

If you do not plan on using your Jazzy 1105 for an extended period, fully charge the batteries prior to storage. Disconnect the battery harnesses and store the Jazzy in a warm, dry environment. Avoid temperature extremes, such as freezing and excessively hot conditions, and never attempt to charge a frozen battery. A cold or frozen battery should be warmed for several days prior to recharging.

Note: If you are storing a Jazzy 1105 for an extended period of time, you may wish to block the unit up with several boards under the frame. This keeps the tires off the ground and prevents the possibility of flat spots developing.

What about public transportation?

If you intend to use public transportation while using your Jazzy, you must contact in advance the transportation provider to determine their specific requirements. See II. "Safety" for more details.

Sealed lead-acid and gel cell batteries are designed for application in power chairs and in other mobility vehicles. Generally, sealed lead-acid batteries are safe for all forms of transportation such as aircraft, buses, and trains. We suggest that you contact your transportation provider to determine specific requirements of transportation and packaging.

What about shipping?

If you wish to use a freight company to ship your Jazzy 1105 to your final destination, repack your Jazzy 1105 in the original shipping container and ship the batteries in separate boxes.

X. CARE AND MAINTENANCE

ROUTINE MAINTENANCE

Your Jazzy is a sophisticated power chair. Like any motorized vehicle, it requires routine maintenance checks. You can perform some of these checks, but others require assistance from an authorized Pride provider. Preventive maintenance is very important. If you follow the maintenance checks in this section as scheduled, you can help ensure that your Jazzy gives you years of trouble-free operation. If you have any doubt as to your Jazzy's care or operation, contact your Pride provider.



CAUTION! Your Jazzy, like most electrical equipment, is susceptible to damage from the elements. Avoid damp areas of any kind. Direct exposure to water or dampness could cause the power chair to malfunction electronically and mechanically. Water can cause electrical components to corrode and the chair's frame to rust.

Should your Jazzy 1105 come in contact with water:

1. Dry your Jazzy 1105 as thoroughly as possible with a dry towel.
2. Allow your Jazzy 1105 to sit in a warm, dry place for 12 hours to allow unseen water to evaporate.
3. Check the joystick operation and the brakes before using your Jazzy again.
4. If any inconsistencies are found, take your Jazzy 1105 to an authorized service center.

TEMPERATURE

Some of the parts of your Jazzy 1105 are susceptible to extreme changes in temperature. Always keep your Jazzy 1105 between the temperatures of 18° F and 122° F.

- In extremely cold temperatures, the batteries may freeze. The specific temperature at which they freeze depends on a number of factors, such as battery charge, usage, and composition of the batteries (e.g., sealed lead-acid or gel cell).
- Temperatures above 122° F may cause your Jazzy 1105 to operate at a reduced speed. This reduced speed is a safety feature built into the controller that helps prevent damage to the motor and other electrical components. See VIII. "Operation" in this manual.

GENERAL GUIDELINES

- Avoid knocking or bumping the controller, especially the joystick.
- Avoid prolonged exposure of your Jazzy to extreme conditions, such as heat, cold, or moisture.
- Keep the controller clean.
- Check all controller connectors on the utility tray to ensure that they are all tight and secured properly. Also check the charger harness connector.
- When the battery indicator gauge is completely lit, the batteries are fully charged, and the controller and the electrical system are OK.
- If one red bar on the battery indicator gauge is blinking slowly, the batteries are low and need to be charged, but the controller and the electrical system are OK.
- If the battery indicator gauge is blinking rapidly, the controller has detected a fault in either its own circuits or in your Jazzy's circuits. See VIII. "Operation" in this manual.
- Make sure the drive tires are inflated to 30 – 35 psi. See figure 26.



WARNING! Do not underinflate or overinflate your tires. Low pressure may result in loss of control and overinflated tires may burst. Serious personal injury may result. Overinflating tires can cause them to explode and can result in personal injury.

WARNING! Do not use a high pressure hose to inflate your tires.

X. CARE AND MAINTENANCE

- Use a rubber conditioner on the tire sidewalls to help preserve them.



WARNING! Never use a rubber conditioner on the tread area of the tires; doing so may make the tires slippery and cause your Jazzy to skid.

- The body shroud has been sprayed with a clear sealant coating. You can apply a light coat of car wax to help it retain its high-gloss appearance.
- Check all electrical connections. Make sure they are tight and are not corroded. Batteries must sit flat within the battery well, with the battery terminals facing inward, toward each other. Refer to the frame decal for the correct wiring layout.
- All wheel bearings are prelubricated and sealed. They require no subsequent lubrication.

DAILY CHECKS

- With the controller turned off, check the joystick. Make sure it is not bent or damaged and that it returns to the center when you release it. Check the rubber boot around the base of the joystick for damage. Visually inspect the boot. Do not handle or try to repair it. See your authorized Pride provider if there is a problem.
- Visually inspect the controller harnesses. Make sure that they are not frayed or cut or have any wires exposed. See your Pride provider if there is a problem with any of these harnesses.

WEEKLY CHECKS

- Disconnect and inspect the controller and the charger harnesses from the utility tray. Look for corrosion. Contact your authorized Pride provider if necessary.
- Ensure that all parts of the controller system are securely fastened to your Jazzy. Do not overtighten any screws.
- Check for proper tire inflation. There should be 30 – 35 psi in each tire. If a tire does not hold air, see your Pride provider for replacement of the tube.
- Calibrate the joystick if a noticeable difference in performance is detected or if the joystick does not operate properly.
- Check the brakes. This test should be carried out on a level surface with at least three feet of clearance around your Jazzy.

To check the brakes:

1. Turn on the controller and turn down the speed response adjustment knob.
2. After one second, check the battery gauge. Make sure that it remains on.
3. Slowly push the joystick forward until you hear the electric brakes click. Immediately release the joystick. You must be able to hear each electrical brake operating by a “clicking” sound within a few seconds of joystick movement. Repeat this test three times, pushing the joystick backwards, then left, and then right.

MONTHLY CHECKS

- Check that the anti-tip wheels do not rub the ground when you are operate the Jazzy. Adjust them as necessary. See VI. “Comfort Adjustments” in this manual.
- Check for extreme wear on the anti-tip wheels. Replace them as necessary.
- Check for drive tire wear. See an authorized Pride provider for repair.

X. CARE AND MAINTENANCE

- Check the rear casters for wear. Replace them as necessary.
- Check the rear forks for damage or fluttering which indicates that they may need to be adjusted or have the bearings replaced. See an authorized Pride provider for repair.
- Keep your Jazzy clean and free of foreign material such as mud, dirt, hair, food, drink, etc.

YEARLY CHECKS

Take your Jazzy to an authorized service provider for yearly maintenance. This helps ensure that your Jazzy is functioning properly and helps prevent future complications.

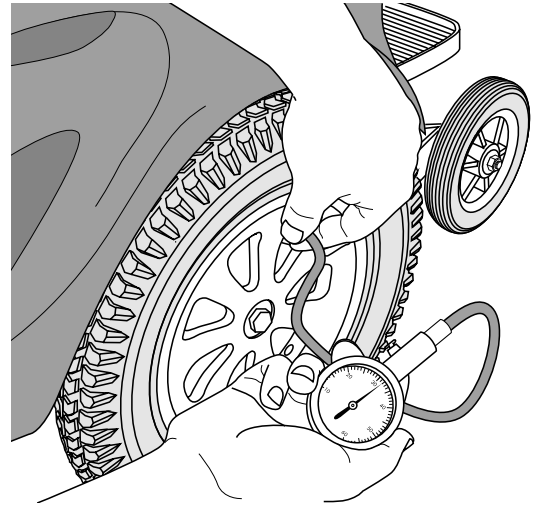


Figure 26. Check Tire Pressure

STORAGE

Your power chair should be stored in a dry place, free from temperature extremes. When storing, disconnect the batteries from the Jazzy. See IX. “Batteries and Charging” in this manual.



WARNING! If you fail to store the unit properly, the frame can rust and the electronics can be damaged.

CLEANING INSTRUCTIONS



CAUTION! Never hose off your Jazzy or place it in direct contact with water. Your Jazzy has a painted, ABS plastic body shroud that allows it to be easily wiped clean with a damp cloth.

CAUTION! Never use any chemicals to clean a vinyl seat, as they may cause the seat to become slippery or dry out and crack. Use soapy water and dry the seat thoroughly.

TIRES AND TUBES

If your Jazzy 1105 is equipped with pneumatic tires, you should check the air pressure at least once a week. This prolongs the life of your tires and helps ensure the perfect operation of your chair. If you have a flat tire, replace the tube. Replacement tires and tubes are readily available through the provider where you purchased your Jazzy 1105.



WARNING! Make sure the tire is completely deflated before attempting repair.

WARNING! To avoid possible injury, be sure that the controller's power is turned off and the power chair is not in freewheel mode before performing this procedure.

Follow these easy steps for a quick and safe repair:

1. Completely deflate the tire if pneumatic.
2. Use a 3/4-in. socket to remove the drive wheel nut from the center hub of the wheel. See figure 27.
3. Pull the wheel off of the axle.
4. Remove the bolts that hold the wheel halves together.
5. Remove the old tube and/or tire and replace it with a new tube and/or tire.
6. Reassemble the wheel.

X. CARE AND MAINTENANCE

7. Slide the wheel back onto the shaft.
8. Install the drive wheel nut into the center hub and tighten.
9. Inflate the tire to 30 – 35 psi.

BATTERY REPLACEMENT

The following are instructions for replacing batteries.



WARNING! Battery posts, terminals, and related accessories contain lead and lead compounds. Wear goggles and gloves when handling batteries and wash hands after handling.

WARNING! Pride Power Chair batteries are heavy. Refer to the specifications table. If you are unable to lift that much weight, be sure to get help. Lifting beyond your capacity can result in personal injury.

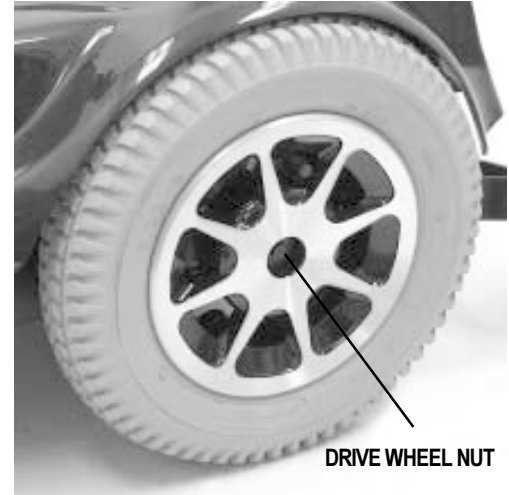


Figure 27. Drive Wheel

To replace the batteries:

1. Disconnect the controller cable.
2. Remove the seat.
3. Disconnect the motor harnesses from the rear battery case. See figure 28.
4. Disconnect the front battery box from the rear battery case. See figure 29.
5. Lift out the front battery case and set it on a solid, flat surface. See figure 30.
6. Unfasten the battery box straps. See figure 31.
7. Lift off the top cover.
8. Unscrew the terminal nuts and bolts and disconnect the battery wires from the battery terminals. See figure 32.
9. Remove the battery from the bottom cover.
10. Place the new battery into the bottom cover.
11. Connect the red battery wire to the positive (+) terminal. Make sure you tighten the nuts and bolts so that the connection is secure.
12. Connect the black battery wire to the negative (-) terminal. Make sure you tighten the nuts and bolts so that the connection is secure.
13. Place the top cover back onto the bottom cover.
14. Fasten the straps and make sure the connection is secure. Place the battery box aside.
15. Remove the rear battery box from the Jazzy power base and place it on a solid, flat surface.
16. Unfasten the battery straps. See figure 31.
17. Lift off the top cover.
18. Unscrew the nuts and bolts and disconnect the battery wires from the battery terminals.
19. Remove the battery from the bottom cover.
20. Place the battery into the bottom cover.
21. Connect the red battery wire to the POS terminal. Make sure you tighten the nuts and bolts so that the connection is secure.
22. Connect the black battery wire to the NEG terminal. Make sure you tighten the nuts and bolts so that the connection is secure.

X. CARE AND MAINTENANCE

23. Place the top cover back onto the bottom cover. Make sure that the battery terminals are opposite of the battery charger. See figure 33.



WARNING! Make sure you tighten the fasteners so that the connections are secure.

WARNING! If you do not position the battery terminals on the opposite side of the charger, you run the risk of shorting out the batteries and severely damaging your Jazzy!

24. Fasten the straps and make sure the connection is secure. Place the battery box aside.

25. Place the rear battery box back into the Jazzy power base.

26. Place the front battery box back into the Jazzy power base.

27. Connect the motor cables to the terminals on the frame.

28. Connect the rear battery box cable to the front battery box connector.

29. Reinstall the seat.

30. Connect the controller cable.

MOTOR BRUSHES

The electric motors that power your Jazzy 1105 use carbon brushes. These brushes may become susceptible to wear over a long period of time. The motor brushes are the two contacts located inside the motor assembly that supply power to the motor. They are designed to provide several thousand hours of operation. However, if the brushes become dirty with carbon deposits or wear out, the motor will run poorly or not at all.



CAUTION! If inspection determines excessive wear on the brushes, they must be replaced or motor damage will result. Failure to maintain the brushes could void the warranty.

To inspect or replace the motor brushes:

1. Remove the seat, body shroud, and batteries. See VII. "Disassembly."
2. Unscrew the motor brush caps. See figure 34.
3. Remove the brushes.
4. Inspect for wear. See figure 35.
5. Replace brushes, if necessary. Contact your authorized Pride provider for replacement brushes.

WHEN TO SEE YOUR PRIDE PROVIDER FOR SERVICE

The following symptoms could indicate a serious problem with your Jazzy 1105. If necessary, contact an authorized Pride provider. When calling, have the model number, serial number, nature of the problem, and the trouble code if available.

- Motor noise
- Frayed harnesses
- Cracked or broken connectors
- Uneven wear on any of the tires
- Jerky motion
- Pulling to one side
- Bent or broken wheel assemblies
- Does not power up
- Powers up, but does not move

X. CARE AND MAINTENANCE



Figure 28. Motor Harnesses



Figure 29. Battery Connector



Figure 30. Battery Cases



Figure 31. Battery Case Strap



Figure 32. Battery Wires



Figure 33. Battery Terminals

X. CARE AND MAINTENANCE

CORRECTIVE MAINTENANCE

If the battery indicator gauge does not light up when you turn on the power:

- Check the harness connections. Make sure they are tight.
- Check the circuit breaker. Reset it if necessary.
- Check the battery connections.

If the above conditions prove normal, you can load test the batteries with a battery load tester. These testers are available at automotive parts stores. Disconnect both batteries before load testing and follow the directions that come with the load tester. If either one of the batteries fails the load test, replace both of them. If your Jazzy 1105 still does not power up, contact your authorized Pride provider.

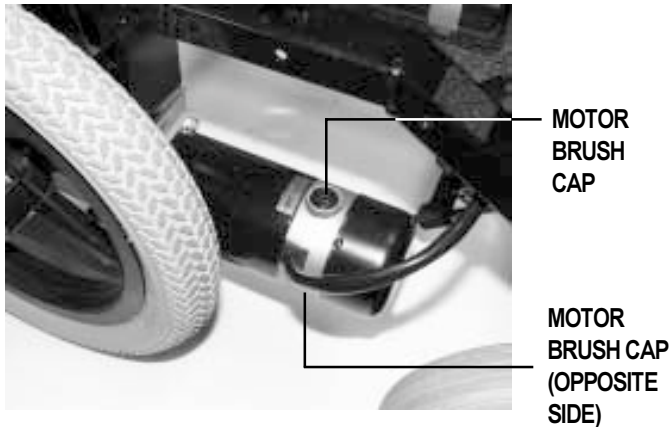


Figure 34. Motor

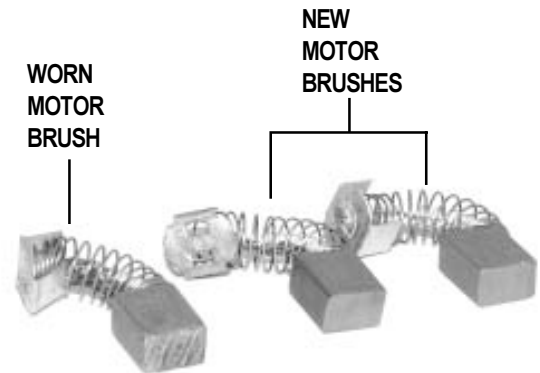


Figure 35. Motor Brushes

X. CARE AND MAINTENANCE

The following accessories are available from your authorized Pride provider.

POSITIONING BELT



WARNING! The positioning belt is not designed for use as a seat belt in a motor vehicle. Nor is your Jazzy 1105 suitable for use as a seat in any vehicle. Anyone traveling in a vehicle should be properly belted into seats approved by the auto manufacturer.

The positioning belt is designed to support the operator so that he or she does not slide down or forward in the seat. See figure 36. The positioning belt is not designed for use as a restraining device. Make sure the belt is secure but does not cause discomfort.



Figure 36. Positioning Belt



Figure 37. Oxygen Tank Holder

OXYGEN TANK HOLDER

The removable oxygen tank holder is mounted to the back of the seat by means of the accessory bracket. See figure 37.

CANE AND CRUTCH HOLDER

The removable cane and crutch holder is mounted to the back of the seat by means of the accessory bracket. See figure 38.

WALKER HOLDER

The removable walker holder is mounted to the back of the seat by means of the accessory bracket. It can hold a standard size walker. See figure 39.

XI. OPTIONAL ACCESSORIES

REAR BASKET

The rear basket is mounted to the accessory bracket. It has a handle that can be used when removing the basket from your Jazzy 1105. See figure 40.

CUP HOLDER (NOT SHOWN)

The cup holder is mounted to the armrest.



Figure 38. Cane And Crutch Holder



Figure 39. Walker Holder



Figure 40. Rear Basket

XII. WARRANTY

LIFETIME LIMITED WARRANTY

For the lifetime of your Jazzy 1105, from the date of purchase, Pride will repair or replace at our option to the original purchaser, free of charge, any of the following parts found upon examination by an authorized representative of Pride to be defective in material and/or workmanship:

- Structural frame components

TWO-YEAR WARRANTY

For two (2) years from the date of purchase, Pride will repair or replace at our option to the original purchaser, free of charge, any of the following parts found upon examination by an authorized representative of Pride to be defective in material and/or workmanship:

- Electronics

EIGHTEEN-MONTH WARRANTY

For eighteen (18) months from the date of purchase, Pride will repair or replace at our option to the original purchaser, free of charge, any of the following parts found upon examination by an authorized representative of Pride to be defective in material and/or workmanship:

- Motor/gearbox assembly

WARRANTY EXCEPTIONS

- Motor: If damage occurs to the commutator of a motor as a result of not replacing the motor brushes after heavy wear to brushes. Motor brushes are wear items and are not warranted.
- Brake: One-year warranty for electrical function of the brake. Brake pads are a wear item and are not warranted.

SIX-MONTH LIMITED WARRANTY

For six (6) months from the date of purchase, Pride will repair or replace at our option to the original purchaser, free of charge, any of the following parts found upon examination by an authorized representative of Pride to be defective in material and/or workmanship:

- Plastic components, except body
- Rubber components (except tires and tubes)
- Bearings and bushings
- Casters and anti-tip wheels

Battery warranty is covered by the battery manufacturer. Battery warranty is not covered by Pride.

Warranty service can be performed by an authorized provider or by Pride. Do not return faulty parts to Pride without prior consent. All transportation costs and shipping damage incurred while submitting parts for repair or replacement are the responsibility of the original purchaser.

XII. WARRANTY

WARRANTY EXCLUSIONS

- ABS plastic body shrouds and footrest covers (wear items are not warranted)
- Batteries (battery manufacturer provides a six-month limited warranty)
- Tires and tubes
- Upholstery and seating
- Repairs and/or modifications made to any part without specific prior written consent from Pride
- Circumstances beyond the control of Pride
- Labor, service calls, shipping, and other charges incurred for repair of the product unless specifically authorized by Pride

Damage caused by:

- Battery fluid spillage or leakage
- Abuse, misuse, accident, or negligence
- Improper operation, maintenance, or storage
- Commercial use, or use other than normal

There is no other express warranty.

Implied warranties, including those of merchantability and fitness for a particular purpose, are limited to one (1) year from the date of purchase and to the extent permitted by law. Any and all implied warranties are excluded. This is the exclusive remedy. Liabilities for consequential damages under any and all warranties are excluded.

Some states do not allow limitations on how long an implied warranty lasts or do not allow the exclusion of limitation of incidental or consequential damages. The above limitation or exclusion may not apply to you.

This warranty gives you specific rights, and you may also have other rights which vary from state to state.

Please fill out and return the warranty card to Pride. This aids Pride in providing the best possible technical and customer service.

NOTES

Jazzy Power Chairs®

How a Power Chair Should Feel™



Quality Control - Model 1105

Thank you for making the Jazzy 1105 your choice in power chairs.

We have thoroughly inspected your Jazzy 1105. The following checkmarks indicate that it has been test driven and inspected.

Model # _____

Serial # _____

Pilot Controller
Controller Serial # _____

Fit and Finish

Inclusion of all Parts

Performance

Pride keeps a more detailed report on file at the factory.

Date Inspected

Inspector

Free Manuals Download Website

<http://myh66.com>

<http://usermanuals.us>

<http://www.somanuals.com>

<http://www.4manuals.cc>

<http://www.manual-lib.com>

<http://www.404manual.com>

<http://www.luxmanual.com>

<http://aubethermostatmanual.com>

Golf course search by state

<http://golfingnear.com>

Email search by domain

<http://emailbydomain.com>

Auto manuals search

<http://auto.somanuals.com>

TV manuals search

<http://tv.somanuals.com>