

# Pride LX Series

## Owner's Manual

Includes LX10, LX11, and LX12

**ATTENTION:**  
Please read the content  
of your owner's manual  
before operating your  
power chair.



"Pride LX10"

**Pride**  
Mobility Products Corp.

*Exeter, PA*  
*St. Catharines, ON*

**1-800-800-8586**

[www.pridemobility.com](http://www.pridemobility.com)

# SAFETY GUIDELINES

Please read and follow all instructions in this owner's manual before attempting to operate your power chair for the first time. If there is anything in this manual you do not understand, or if you require additional assistance for set-up, contact your authorized Pride provider.

Using your Pride product safely depends upon your diligence in following the warnings, cautions, and instructions in this owner's manual. Using your Pride product safely also depends upon your own good judgement and/or common sense, as well as that of your provider, caregiver, and/or healthcare professional. Pride is not responsible for injuries and/or damage resulting from any person's failure to follow the warnings, cautions, and instructions in this owner's manual. Pride is not responsible for injuries and/or damage resulting from any person's failure to exercise good judgement and/or common sense.

The symbols below are used throughout this owner's manual to identify warnings and cautions. It is very important for you to read and understand them completely.



**WARNING! Failure to heed the warnings in this owner's manual may result in personal injury.**



**CAUTION! Failure to heed the cautions in this owner's manual may result in damage to your power chair.**

# C O N T E N T S

<b>I. INTRODUCTION</b> .....	4
<b>II. SAFETY</b> .....	6
<b>III. EMI/RFI</b> .....	13
<b>IV. UNPACKING AND ASSEMBLY</b> .....	15
<b>V. YOUR PRIDE LX</b> .....	18
<b>VI. COMFORT ADJUSTMENTS</b> .....	22
<b>VII. DISASSEMBLY</b> .....	24
<b>VIII. BATTERIES AND CHARGING</b> .....	25
<b>IX. OPERATION</b> .....	28
<b>X. CARE AND MAINTENANCE</b> .....	34
<b>XI. WARRANTY</b> .....	40

# I . I N T R O D U C T I O N

## **INTRODUCTION**

Welcome to Pride Mobility Products Corporation (Pride). Congratulations on the purchase of your new Pride Power Chair. The Pride Power Chair design combines the most advanced state-of-the-art components with modern, attractive styling. We are certain that the design features and trouble-free operation of your new power chair will add convenience to your daily living.

At Pride, your safety is important to us. Please read and follow all of the instructions in this manual before you attempt to operate your power chair for the first time. These instructions were produced for your benefit. Your understanding of these instructions is essential for the safe operation of your new power chair.

Pride is not liable for damage to property or personal injury arising out of unsafe use of a power chair. Pride is also not liable for any property damage or personal injury arising out of the failure of any person and/or user to following the instructions and recommendations set forth in this manual or any other instructions or recommendations contained in other power chair related literature issued by Pride or contained on the power chair itself.

This owner's manual is compiled from the latest specifications and product information available at the time of publication. We reserve the right to make changes as they become necessary. Any changes to our products may cause slight variations between the illustrations and explanations in this manual and the product you have purchased.

If you experience any problems with your power chair that you are unable to solve, or if you do not feel capable of safely following any of the instructions and/or recommendations as contained in this manual, please contact your authorized Pride provider for assistance.

Once you understand how to operate and take care of your power chair, we are certain that it will give you years of trouble-free service and enjoyment.

### **Information Exchange**

We want to hear your questions, comments, and suggestions about this manual. We would also like to hear about the safety and reliability of your new power chair, and about the service you received from your authorized Pride provider.

Please notify us of any change of address, so we can keep you apprised of important information about safety, new products, and new options that can increase your ability to use and enjoy your power chair. Please feel free to contact us at the address below:

Pride Mobility Products Corporation  
Attn: Customer Care Department  
182 Susquehanna Avenue  
Exeter, PA 18643-2694  
customercare@pridemobility.com  
800-424-8205

# I . I N T R O D U C T I O N

## **Pride Owners Club**

As an owner of a Pride product, you are invited to register your product's warranty and enroll in the Pride Owners Club. You may do so by filling out and returning your enclosed registration card or by visiting Pride's web site at [www.pridemobility.com](http://www.pridemobility.com). As a registered member, each time you visit our site, you will have access to the most interactive and honest educational venue available today for people with mobility needs, their families, and friends.

From our home page, select "Owners Club" to enter a page dedicated to current and potential Pride product owners. You will gain access to interviews, stories, recreation ideas, daily living tips, product and funding information, and interactive message boards. These message boards invited you to communicate with other Pride customers as well as Pride representatives who are available to assist you with any questions or concerns you may have.

## **My Authorized Pride Provider Is:**

Name: \_\_\_\_\_

Address: \_\_\_\_\_

Phone Number: \_\_\_\_\_

Purchase Date: \_\_\_\_\_

*NOTE: If you ever lose or misplace your product registration card or your copy of this manual, contact us and we will be glad to send you a new one immediately.*

# II. SAFETY

## SAFETY



**WARNING! Do not operate your new power chair for the first time without completely reading and understanding this owner's manual.**

Your power chair is a state-of-the-art life-enhancement device designed to increase mobility. Pride provides an extensive variety of products to best fit the individual needs of the power chair user. Please be aware that the final selection and purchasing decision regarding the type of power chair to be used is the responsibility of the power chair user, who is capable of making such a decision, and his/her healthcare professional (i.e., medical doctor, physical therapist, etc.).

The contents of this manual are based on the expectation that a mobility device expert has properly fitted the power chair to the user and has assisted the prescribing healthcare professional and/or the authorized Pride provider in the instruction process for the use of the product.

There are certain situations, including some medical conditions, where the power chair user will need to practice operating the power chair in the presence of a trained attendant. A trained attendant can be defined as a family member or care professional specially trained in assisting a power chair user in various daily living activities.

As you begin using your power chair during daily activities, you will probably encounter situations in which you will need some practice. Simply take your time and you will soon be in full and confident control as you maneuver through doorways, on and off of elevators, up and down ramps, and over moderate terrain.

Below are some precautions, tips, and other safety considerations that will help the user become accustomed to operating the power chair safely.

### Modifications

Pride has designed and engineered your power chair to provide maximum mobility and utility. A wide range of accessories is available from your authorized Pride provider to further customize your power chair to better suit your needs and/or preferences. However, under no circumstances should you modify, add, remove, or disable any feature, part, or function of your power chair.



**WARNING! Do not modify your power chair in any way not authorized by Pride. Unauthorized modifications may result in personal injury and/or damage to your power chair.**

### Pre-Ride Safety Check

Get to know the feel of your power chair and its capabilities. Pride recommends that you perform a safety check before each use to make sure your power chair operates smoothly and safely. See X. "Care and Maintenance."

Perform the following inspections prior to using your power chair:

- Check for proper tire inflation. Maintain **30-35 psi** in each tire (if equipped with pneumatic tires).
- Check all electrical connections. Make sure they are tight and not corroded.
- Check all controller connections to the electronics tray. Make sure they are secured properly.
- Check the brakes. See X. "Care and Maintenance."
- Check battery charge. See VIII. "Batteries and Charging."

## II. SAFETY

*NOTE: If you discover a problem, contact your authorized Pride provider for assistance.*

### Weight Limitations

Your power chair is rated for a maximum weight capacity. Please refer to the specifications table for this limit.



**WARNING! Exceeding the weight capacity voids your warranty and may result in personal injury and/or damage to your power chair. Pride will not be held responsible for injuries and/or property damage resulting from failure to observe weight limitations.**

**WARNING! Do not carry passengers on your power chair. Carrying passengers on your power chair may result in personal injury and/or property damage.**

### Tire Inflation

If your power chair is equipped with pneumatic tires, you should check or have the air pressure checked at least once a week. Proper inflation pressures will prolong the life of your tires and help ensure the smooth operation of your power chair.



**WARNING! It is important that 30-35 psi tire pressure be maintained in pneumatic tires at all times. Do not underinflate or overinflate your tires. Low pressure may result in loss of control, and overinflated tires may burst. Failure to maintain 30-35 psi tire pressure in pneumatic tires at all times may result in tire and/or wheel failure, causing serious personal injury and/or damage to your power chair.**

**WARNING! Inflate your power chair drive tires from a regulated air source with an available pressure gauge. Inflating your tires from an unregulated air source could overinflate them, resulting in a burst tire and/or personal injury.**

### Incline Information

More and more buildings have ramps with specified degrees of inclination, designed for easy and safe access. Some ramps may have turning switchbacks (180-degree turns) that require you to have good cornering skills on your power chair.

- Proceed with extreme caution as you approach the downgrade of a ramp or other incline.
- Take wide swings with your power chair's front wheels around any tight corners. If you do that, the power chair's rear wheels will follow a wide arc, not cut the corner short, and not bump into or get hung up on any railing corners.
- When driving down a ramp, keep the power chair's speed adjustment set to the slowest speed setting to ensure a safely controlled descent. See IX. "Operation."
- Avoid sudden stops and starts.

When climbing an incline, try to keep your power chair moving. If you must stop, start up again slowly and then accelerate cautiously. When driving down an incline, set your power chair to the slowest setting and drive in the forward direction only. If your power chair starts to move down the incline faster than you anticipated or desired, allow it to come to a complete stop by releasing the joystick, then push the joystick forward slightly to ensure a safely controlled descent.



**WARNING! When climbing an incline, do not zigzag or drive at an angle up the face of the incline. Drive your power chair straight up the incline. This greatly reduces the possibility of a tip or a fall. Always exercise extreme caution when negotiating an incline.**

## II. SAFETY

**WARNING! You should not travel up or down a potentially hazardous incline (i.e., areas covered with snow, ice, cut grass, or wet leaves).**



**WARNING! When on any sort of an incline or decline, never place the power chair in freewheel mode while seated on it or standing next to it. Doing so may result in personal injury and/or damage to your power chair.**

**WARNING! Never travel down an incline backwards. This may result in personal injury.**

In compliance with the Americans with Disabilities Act of 1990, all handicap public access ramps are required to have a maximum slope of 5°. Therefore, Pride recommends that the maximum slope of an incline you attempt to safely ascend or descend on your power chair does not exceed 5°. See figure 1.



**WARNING! Any attempt to climb or descend a slope steeper than 5° may put your power chair in an unstable position and cause it to tip, resulting in personal injury.**

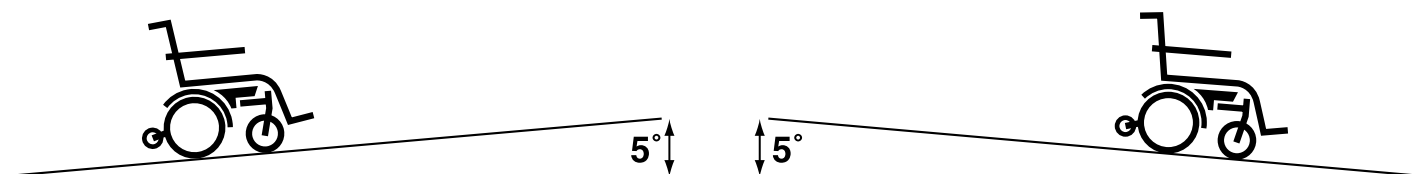


Figure 1. Maximum Safe Angle (Ascending and Descending)

### Braking Information

Your power chair is equipped with two powerful brake systems:

1. Regenerative — uses electricity to rapidly slow the vehicle when the joystick returns to the center/stop position.
2. Disc Park Brake — activates mechanically after regenerative braking slows the vehicle to near stop, or when power is removed from the system for any reason.

### Cornering Information

While your power chair is equipped with rear caster wheels in back and anti-tip wheels in front, excessively high cornering speeds can still create the possibility of tipping. Factors which affect the possibility of tipping include, but are not limited to: cornering speed, steering angle (how sharply you are turning), uneven road surfaces, inclined road surfaces, riding from an area of low traction to an area of high traction (such as passing from a grassy area to a paved area – especially at high speed while turning), and abrupt directional changes. High cornering speeds are not recommended. If you feel that you may tip over in a corner, reduce your speed and steering angle (i.e., lessen the sharpness of the turn) to prevent your power chair from tipping.



**WARNING! When cornering sharply, reduce your speed. This greatly reduces the possibility of a tip or fall. To avoid personal injury and/or property damage, always exercise common sense when cornering.**

### Outdoor Driving Surfaces

Your power chair is designed to provide optimum stability under normal driving conditions—dry, level surfaces composed of concrete, blacktop, or asphalt. However, Pride recognizes that there will be times when you will encounter other surface types. For this reason, your power chair is designed to perform admirably on packed soil, grass, and gravel. Feel free to use your power chair safely on lawns and in park areas.



## II. SAFETY

- Reduce your power chair's speed when driving on uneven terrain and/or soft surfaces.
- Avoid tall grass that can entangle the running gear.
- Avoid loosely packed gravel and sand.
- If you feel unsure about a driving surface, avoid that surface.

### Freewheel Mode

Your power chair is equipped with a manual freewheel lever to allow for manual maneuverability by a trained attendant. For more information about how to place your power chair into and out of freewheel mode, see V. "Your Pride LX."

**WARNING! Do not use your power chair in freewheel mode without an attendant present. Personal injury may result.**



**WARNING! Do not attempt to personally place your power chair in freewheel mode while seated on it. Personal injury may result. Ask an attendant for assistance if necessary.**

**WARNING! Do not place your power chair in freewheel mode while on an incline. The chair could roll uncontrollably on its own, causing personal injury.**

### Stationary Obstacles (Steps, Curbs, etc.)

Proceed with extreme caution when driving near raised surfaces, unprotected ledges and/or drop-offs (curbs, porches, stairs, etc.). The correct method for approaching a curb is illustrated in figure 2.

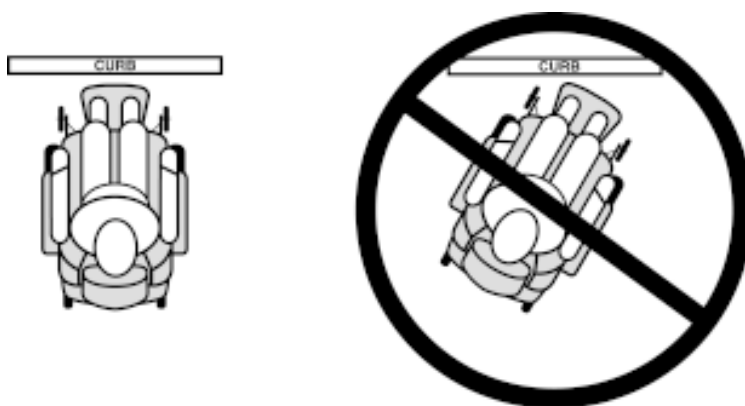


Figure 2. Correct Curb Approach



**WARNING! Do not attempt to have your power chair climb or descend an obstacle that is higher than two inches unless you have the assistance of an attendant.**

**WARNING! Do not attempt to have your power chair proceed backward down any step, curb, or other obstacle. This may cause the power chair to tip and cause personal injury.**

### Public Streets and Roadways



**WARNING! You should not operate your power chair on public streets and roadways. Be aware that it may be difficult for traffic to see you when you are seated on your power chair. Obey all local pedestrian traffic rules. Wait until your path is clear of traffic, and then proceed with extreme caution.**

## II. SAFETY

### Stairs and Escalators

Power chairs are not designed to travel up or down stairs or escalators. Always use an elevator.



**WARNING! Never use your power chair to negotiate steps or escalators. You may cause injury to yourself and to others and/or damage your power chair.**

### Doors

- Determine if the door opens toward or away from you.
- Drive your power chair gently and slowly forward to push the door open. Or drive your power chair gently and slowly backward to pull the door open.

### Elevators

Modern elevators have a door edge safety mechanism that, when pushed, reopens the elevator door(s).

- If you are in the doorway of an elevator when the door(s) begin to close, push on the rubber door edge or allow the rubber door edge to contact the power chair and the door will reopen.
- Use care that pocketbooks, packages, or power chair accessories do not become caught in elevator doors.

### EMI & RFI

Laboratory tests performed by the Food and Drug Administration (FDA) have shown that radio waves can cause unintended motion of electric mobility vehicles. Radio waves are a form of electromagnetic energy (EM). When EM adversely affects the operation of an electronic device, it is called Electromagnetic Interference (EMI) or Radio Frequency Interference (RFI). For more information, see III. "EMI/RFI."

### Lift/Elevation Products

If you will be traveling with your power chair, you may find it necessary to use a lift/elevation product to aid in transportation. Pride recommends that you closely review the instructions, specifications, and safety information set forth by the manufacturer of the lift/elevation product before using that product.

### Motor Vehicle Transport

Currently, there are no standards approved for tie-down systems in a moving vehicle of any type to transport a person while seated in a power chair.

### Transfers

Transferring onto and off of your power chair requires a good sense of balance. Always have an attendant or healthcare professional present while learning to properly transfer yourself.

To eliminate the possibility of injury, Pride recommends that you or a trained attendant perform the following tasks before attempting a transfer:

- Turn the power off. See IX. "Operation."
- Ensure your power chair is not in freewheel mode. See V. "Your Pride LX."
- Turn both caster wheels toward the transfer destination to improve power chair stability during transfer.
- Make sure both armrests are flipped up or removed from your power chair.
- Flip the footrest up, or move the leg rests aside; this will help to keep your feet from getting caught on the footrest or the leg rests during the transfer.
- Reduce the distance between your power chair and the object you are transferring onto.

## II. SAFETY

**WARNING!** Before transferring, position yourself as far back as possible in the power chair seat to prevent the power chair from tipping forward during transfer and causing injury.



**WARNING!** Avoid using your armrests for weight bearing purposes. Such use may cause the power chair to tip and cause personal injury.

**WARNING!** Avoid putting all of your weight on the footrest. Such use may cause the power chair to tip and cause personal injury.

### Positioning Belts

Your authorized Pride provider, therapist(s), and other healthcare professionals are responsible for determining your requirement for a positioning belt in order to operate your power chair safely.

**WARNING!** If you require a positioning belt to safely operate your power chair, make sure it is fastened securely. Serious personal injury may result if you fall from the power chair.



**WARNING!** The positioning belt is not designed for use as a seat belt in a motor vehicle. Nor is your power chair suitable for use as a seat in any vehicle. Anyone traveling in a vehicle should be properly belted into seats approved by the vehicle manufacturer.

**WARNING!** Do not sit on your power chair while it is in a moving vehicle. Personal injury and/or property damage may result.

**WARNING!** Always be sure your power chair and its batteries are properly secured when it is being transported. Failure to do so may result in personal injury and/or damage to your power chair.

### Inclement Weather Precautions



**WARNING!** Pride recommends that you do not operate your power chair in icy or slippery conditions or on salted surfaces (i.e., walks or roads). Such use may adversely affect the performance and safety of your power chair, resulting in an accident and personal injury.

**WARNING!** Do not expose your power chair to any type of moisture at any time (rain, snow, mist, or wash). Such exposure can damage your power chair. Never operate your power chair if it has been exposed to moisture until it has dried thoroughly.

### Reaching and Bending

Never reach, lean, or bend while driving your power chair. If it is absolutely necessary to reach, lean, or bend while seated on your power chair, it is important to maintain a stable center of gravity and keep the power chair from tipping. Pride recommends that the power chair user determine his/her personal limitations and practice bending and reaching in the presence of a qualified healthcare professional.



**WARNING!** Do not bend, lean, or reach for objects if you have to pick them up from the floor by reaching down between your knees. Movements such as these may change your center of gravity and the weight distribution of the power chair. This may cause your power chair to tip, possibly resulting in personal injury. Keep your hands away from the tires when driving.

# II. SAFETY

## Batteries

In addition to following the warnings below, be sure to comply with all other battery handling information. For more information about your power chair's batteries, see VIII. "Batteries and Charging."

**WARNING! Power chair batteries weigh approximately 60 pounds each. If you are unable to lift that much weight, be sure to get help. Lifting beyond your capacity can result in personal injury.**



**WARNING! Battery posts, terminals, and related accessories contain lead and lead compounds. Wash hands after handling.**

**WARNING! Always protect the batteries from freezing and never charge a frozen battery. Charging a frozen battery may result in personal injury and/or damage to the battery.**

## Preventing Unintended movement



**WARNING! If you anticipate being seated in a stationary position for an extended period of time, turn off the power. This will prevent unexpected motion from inadvertent joystick contact. This will also eliminate the possibility of unintended chair movement from electromagnetic (EM) sources. Failure to do so may result in personal injury.**

## Prescription Drugs/Physical Limitations

Users must exercise care and common sense when operating a power chair. This includes awareness of safety issues when taking prescribed or over-the-counter drugs or when the user has specific physical limitations.



**WARNING! Consult your physician if you are taking prescribed or over-the-counter medication or if you have certain physical limitations. Some medications and limitations may impair your ability to operate your power chair in a safe manner.**

## Alcohol

The power chair user must exercise care and common sense when operating his/her power chair. This includes awareness of safety issues while under the influence of alcohol.



**WARNING! Do not operate your power chair while you are under the influence of alcohol, as this may impair your ability to operate your power chair in a safe manner.**

## Removable Parts



**WARNING! Do not attempt to lift or move a power chair by any of its removable parts. Personal injury and/or damage to the power chair may result.**

# III. EMI/RFI

## EMI/RFI

Laboratory tests performed by the Food and Drug Administration (FDA) have shown that radio waves can cause unintended motion of power chairs. Radio waves are a form of electromagnetic energy. When this energy adversely affects the operation of an electronic device, it is called Electromagnetic Interference (EMI) or Radio Frequency Interference (RFI).



**WARNING! Radio waves may interfere with the control of power chairs.**

## Frequently Asked Questions (FAQs)

The following FAQs summarize what you should know about EMI/RFI. Use this information to minimize the risk that EMI/RFI will affect your power chair.

### Where do radio waves come from?

Radio waves are emitted from the antennas of cellular phones, mobile two-way radios (such as walkie-talkies), radio stations, TV stations, amateur radio (HAM) transmitters, wireless computer links, microwave sources, and paging transmitters. Radio waves are a form of electromagnetic energy. Because electromagnetic energy is more intense closer to the transmitting antenna (source of emission), the electromagnetic energy fields from two-way radios are of special concern to power chair users.

### If my power chair is affected by EMI/RFI, what kind of motion should I expect?

This is hard to predict. It would depend on a number of factors:

- Strength of the radio waves
- Construction of the power chair
- Position of the power chair (whether it is on level ground or on an incline)
- Whether or not the power chair is in motion

An affected power chair's movement can be erratic. It may move by itself or come to a sudden stop. Furthermore, it is possible for EMI/RFI to unexpectedly release the brakes on a power chair. Some intense sources of EMI/RFI can even damage the control system of the power chair.

### Is there any way to know for sure whether radio waves are responsible for the unintended motion of my power chair?

Unfortunately, interference from radio wave sources may be difficult to recognize, since the signals from these sources are invisible and may be intermittent. However, the FDA recommends that you report all incidents of unintended motion or brake release to the power chair manufacturer and, if possible, note whether there was a radio wave source nearby at the time of the incident.

### Has anyone been hurt from erratic, unintended motion of power chairs?

The FDA has reports of injuries that resulted from the apparent uncontrolled motion of power chairs. However, it is unclear how many of these incidents were actually caused by radio wave interference.

## III. EMI / RFI

### **Are all power chairs susceptible to EMI/RFI?**

Each make and model of chair differs in its ability to resist electromagnetic interference. That is, each has a particular level of “immunity” to interference, measured in volts per meter (V/m). A higher immunity level offers greater protection. In other words, a power chair with a high immunity level is less likely to be affected by a strong radio source than one with a low immunity level.

### **What is the FDA doing about the problem?**

The FDA has written to the manufacturers of power chairs and requested that they test their new products to be sure that they provide a reasonable degree of immunity against EMI/RFI. The letter states that power chairs should have an immunity of at least 20 V/m. This provides a reasonable degree of protection against the common sources of EMI/RFI.

The FDA has also requested that these manufacturers clearly label their products with the immunity level, or state that the immunity level is not known. The labeling and informational material supplied with the power chair must explain what the immunity level means, and the labeling or informational material must warn users about the possibility of EMI/RFI and how to avoid it. In addition, the FDA has recommended that manufacturers establish an educational program to inform users of power chairs, and their caregivers, about the problems associated with EMI/RFI, and the actions they can take to minimize the risk.

### **What can I do to find out if my power chair is likely to be affected by EMI/RFI?**

If you've had your power chair for a long time and haven't experienced any unintended motion, it is not likely that you will have problems in the future. But it is always possible that problems could arise if you are close to a source of radio waves. Therefore, it is very important to be alert to this possibility. The Pride LX meets or exceeds an immunity level of at least 20 V/m.

### **What can I do to reduce the risk that my power chair could be affected by EMI/RFI?**

Here are some precautions you can take:

- Do not turn on or use hand-held personal communications devices, such as citizens band (CB) radios and cellular phones, while the power chair is on.
- Be aware of nearby transmitters, such as radio or TV stations and hand-held or mobile two-way radios, and try not to come close to them. For example, if you are in a power chair with an immunity level of 20 V/m, you should remain at least three feet from a hand-held two-way radio and ten feet from a mobile two-way radio.
- Be aware that adding accessories and/or components, or modifying the power chair may make it more susceptible to interference from radio wave sources. There is no easy way to evaluate their effect upon the overall immunity of the power chair.

### **What should I do if my power chair moves unexpectedly?**

If unintended motion or brake release occurs, turn the power chair off as soon as it is safe to do so. Call Pride at 800-424-8205 to report the incident.

# IV. UNPACKING AND ASSEMBLY

The contents of your Pride LX box are as follows: one (1) base assembly, one (1) seatback, two (2) battery boxes, one (1) controller box, one (1) battery charger box, and one (1) accessories box. The accessories box contains: one (1) battery frame, four (4) battery tray ball detent pins, one (1) toolkit, six (6) tie-wraps, two (2) anti-tip wheels, and two (2) swing-away leg rests. The toolkit contains all of the tools that you will need for assembly.

## To unpack and assemble the Pride LX:

1. Remove the contents and take inventory. If any parts are missing, contact your authorized Pride provider immediately. See figure 3.
2. Unfold the seat base assembly.
3. Install each battery into a battery box. See figure 4.
4. Install the battery tray. See figure 5. Make sure the tabs are facing upwards so that the middle of the tray can only fold up.
5. Install the battery boxes into the battery frame. Make sure that both main circuit breakers are on the right side of the base assembly. Connect the two red connectors. Connect the straps to secure the battery boxes. Adjust for tightness as necessary. See figure 6.

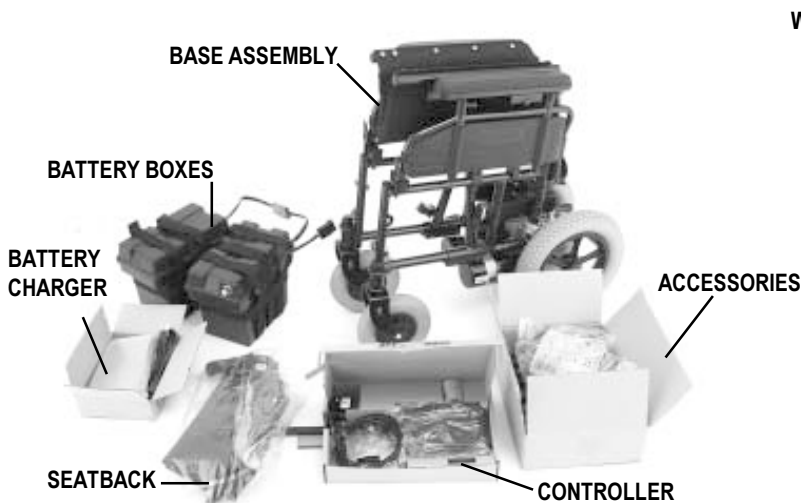


Figure 3. Pride LX Components

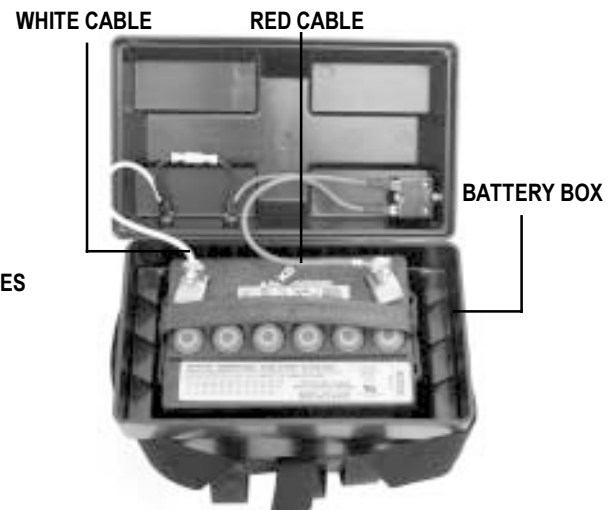


Figure 4. Battery Installation

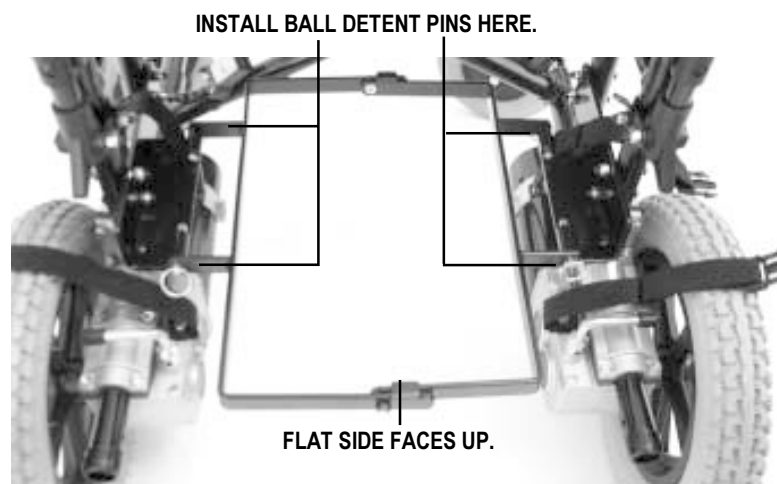


Figure 5. Battery Tray Installation

# IV. UNPACKING AND ASSEMBLY

6. Remove the plastic wrap from the seat posts and remove the seatback screws. See figure 6.
7. Flip up the armrests.
8. Unfold the seatback and insert the canes into base assembly. The smaller pouch faces rearward. You may store the toolkit in the smaller pouch.
9. Insert the seatback screws back into the seat canes with the screw head on the inside. See figure 7.
10. Install two tie-wraps to secure the seatback. See figure 8.
11. The controller is shipped so that it may be installed on either armrest. Once you have determined which armrest to use, install the controller bracket so it is on the inside of the controller. The bracket is installed either on the left side of the controller for a right-hand application or on the right side for a left-hand application. Then place the decal over the holes on the other side. See figure 9.
12. Insert the controller into the armrest. See figure 10. The controller must be oriented with the decal facing outward.

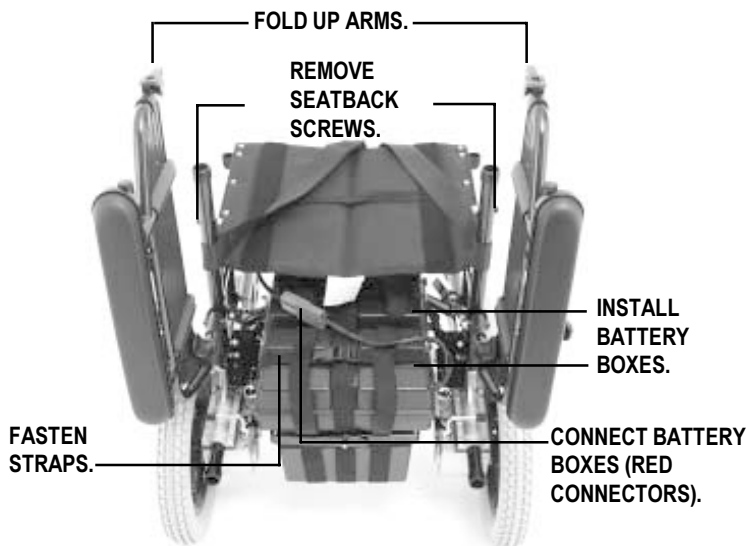


Figure 6. Pride LX Back View

INSTALL SCREWS WITH SCREW HEAD ON THE INSIDE.



Figure 7. Seatback Screw Installation

FASTEN SEATBACK TO FRAME.

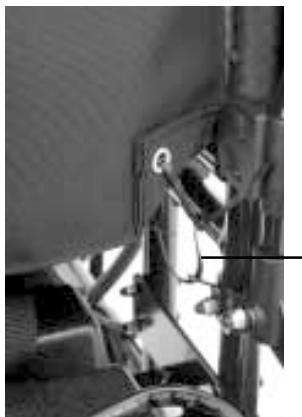


Figure 8. Tie-Wrap Installation

INSTALL LABEL ON OPPOSITE SIDE OF JOYSTICK/CONTROLLER BRACKET.



Figure 9. Controller Label Installation



## IV. UNPACKING AND ASSEMBLY

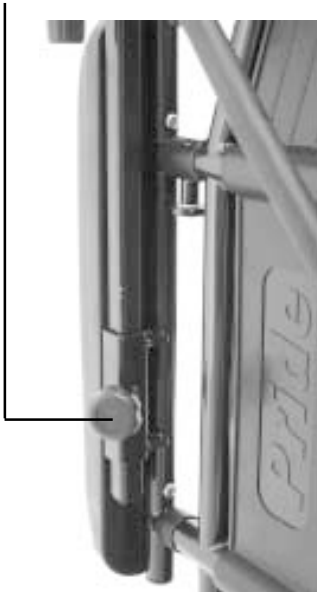
13. Connect the controller to the motors. The motor/controller connectors are marked “L” for left and “R” for right. Match the “L” on the controller with the “L” on the motor. Match the “R” on the controller with the “R” on the motor. Connect the black connector to the controller connector. See figure 15.



**CAUTION! Do not place the controller cable so that it can be pinched in the seat frame or the power base frame.**

14. Install the footrests. See figure 11.
15. Install the anti-tip wheels. See figure 12.
16. Remove the battery charger from the box and plug into charger port. Follow the charging instructions printed on the charger. See figure 13.
17. Read the owner's manual thoroughly before operating your power chair.

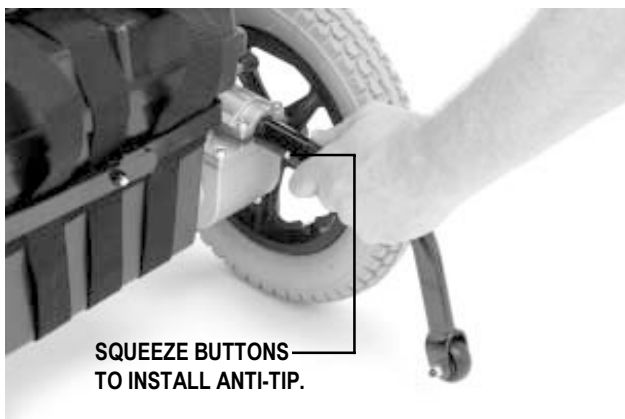
**INSTALL JOYSTICK/CONTROLLER INTO ARMREST AND TIGHTEN KNOB.**



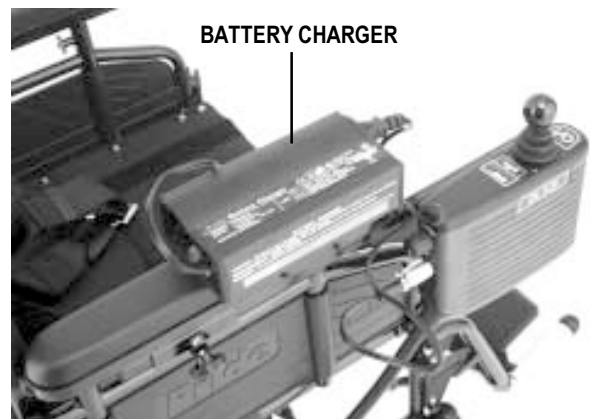
**Figure 10. Joystick/Controller Installation**



**Figure 11. Footrest Installation**



**Figure 12. Anti-tip Installation**



**Figure 13. Charging the Batteries**

# V. YOUR PRIDE LX

The Pride LX is a rear-wheel drive power chair that you can easily disassemble and fold for transportation or storage. The two battery boxes sit on the battery tray.

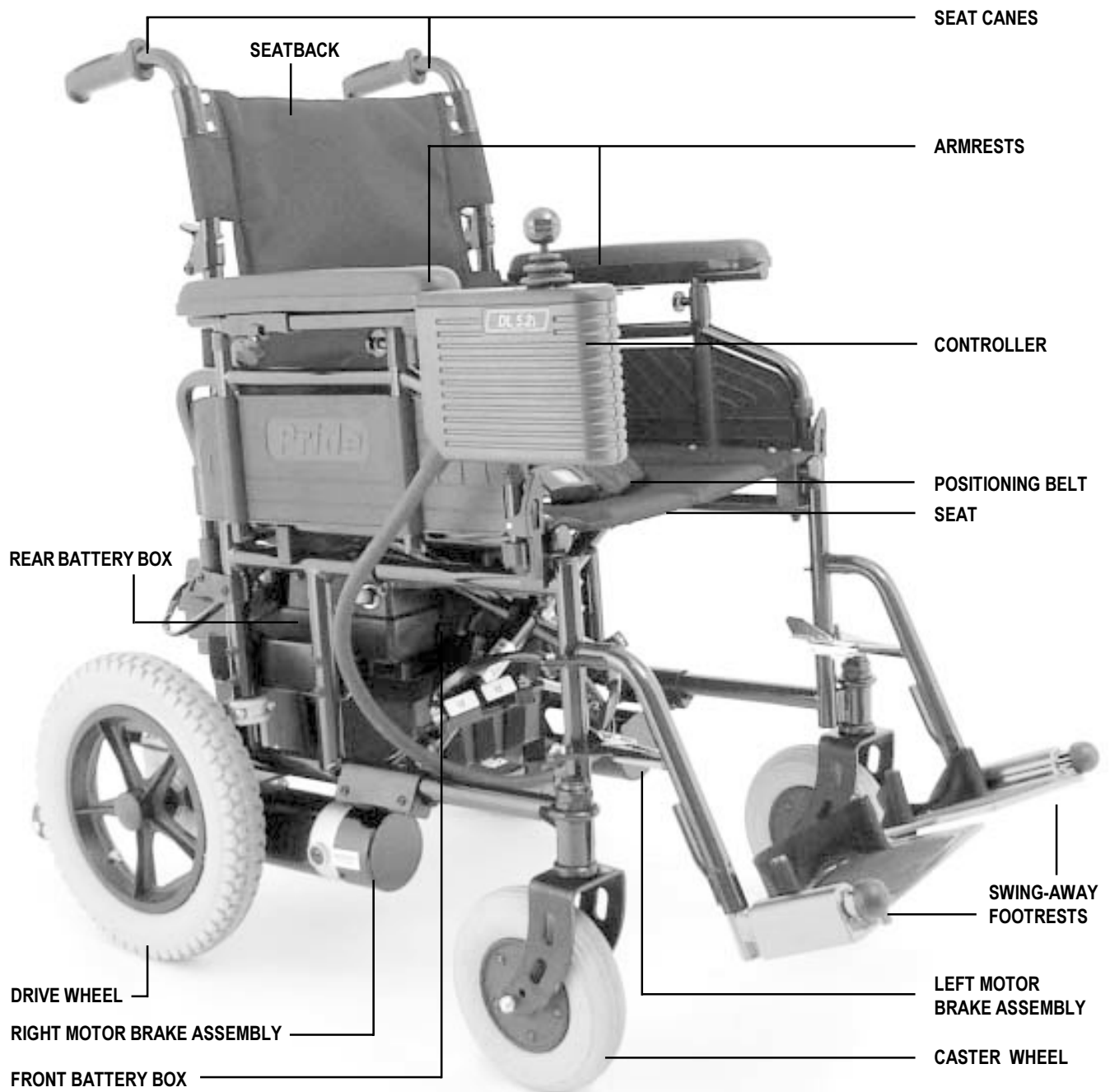


Figure 14. LX10 Assembled (LX11 and LX 12 are similar.)

# V. YOUR PRIDE LX

SPECIFICATIONS	
Drive Wheels:	13 in. solid tires, rear mounted ( <i>LX10, LX11</i> ) 13 in. pneumatic tires, rear mounted ( <i>LX12</i> )
Caster Wheels:	8 in. solid, articulating, front mounted ( <i>LX10, LX11</i> ) 8 in. pneumatic, articulating, front mounted ( <i>LX12</i> )
Anti-tip Wheels:	1.5 in., solid, rear mounted
Maximum Speed:	Up to 3.5 mph
Brakes:	Electronic regenerative, disc park brake
Ground Clearance:	4.5 in.
Turning Radius:	33 in.
Overall Size:	Length: 34 in. Width: 25.5 in.
Seating Options:	Sling Back and Sling Seat
Drivetrain:	Two-motor, rear-wheel-drive
Batteries:	Two 12-volt, 32 AH batteries, U-1
Range:	Up to 25 miles
Battery Charger:	Off-board, 4 amp
Motor Controller:	Dynamic DL-50 ( <i>LX10 is non-programmable</i> )
Weight Capacity:	250 lbs.
LX Weights:	Base: 88 lbs. ( <i>LX10, LX11</i> ) Base: 78.5 lbs. ( <i>LX 12</i> ) U-1 Batteries: 24.5 lbs. each Battery and Case: 26.5 lbs. each
Warranties:	Five-year limited warranty on frame One-year warranty on drivetrain One-year warranty on electronics

## Toolkit

Your Pride LX is equipped with a toolkit that fits inside a seatback pocket. It contains the following:

- socket adapter    ■ 5mm hex bit    ■ 4mm hex bit    ■ 3mm hex bit    ■ 13mm socket
- 8mm socket    ■ socket handle    ■ 10mm socket    ■ 12mm socket

# V. YOUR PRIDE LX

## Electronic Connections

The Pride LX's controller is connected to the front battery box and to each motor. See figures 15 and 16. The motor connectors are marked "L" and "R". The "L" harness is connected to the left motor and the "R" harness is connected to the right motor.

**Battery Connections:** The rear battery box is connected to the front battery box via the red connector. The front battery box is connected to the controller via the black connector. Each connector is labelled with a "+" on one side and a "-" on the other side.

**Main Circuit Breakers:** There are two 30-amp circuit breakers that protect the electrical circuits. A circuit breaker is mounted on the side of each battery box lid. See figure 17. The circuit breaker is in-line with the positive (+) battery terminal. If the batteries and the motors are heavily strained (e.g., from excessive loads), these circuit breakers will trip to prevent damage to the motors and the electronics. If either of the circuit breakers trip, allow the Pride LX to "rest" for approximately one minute. Then, push in the circuit breaker button, turn on the controller power, and continue normal operation. If either circuit breaker continues to trip repeatedly, contact your authorized Pride provider.

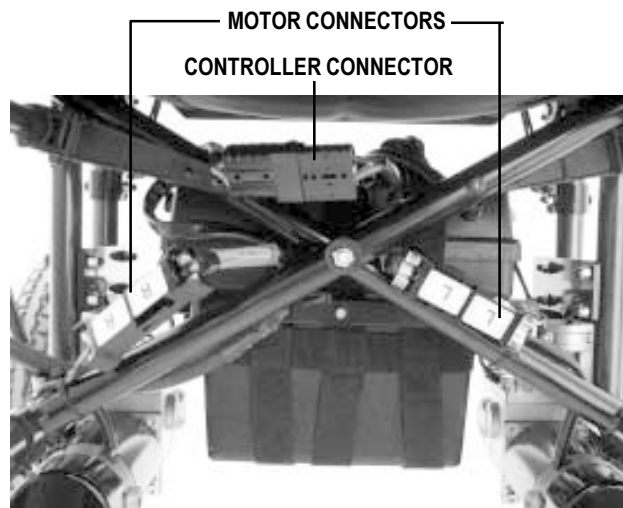


Figure 15. Front Electrical Connections



Figure 16. Rear Battery Box

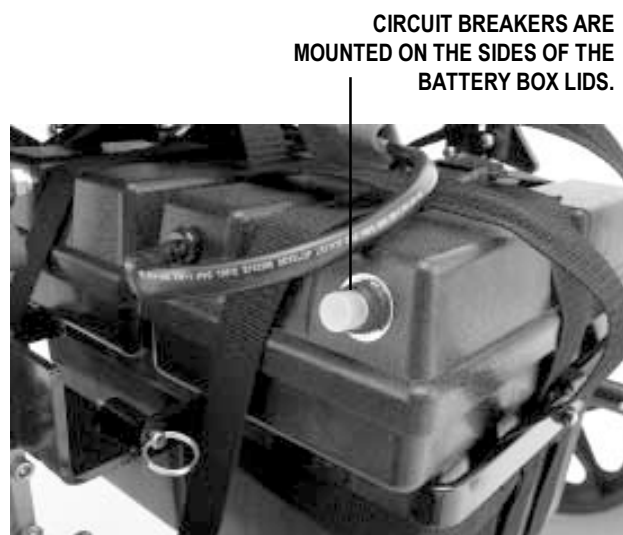


Figure 17. Circuit Breaker

# V. YOUR PRIDE LX

## Manual Freewheel Levers

For convenience, your Pride LX is equipped with two manual freewheel levers that enable you to disengage the drive motors and maneuver the chair manually, in freewheel mode.

To engage or disengage the drive motors:

1. Locate the two (2) manual freewheel levers on the motors. See figures 18 and 19.
2. Rotate the manual freewheel levers outward to disengage the drive wheels. See figure 18.
3. Rotate the manual freewheel levers rearward to engage the drive wheels. See figure 19.

If a lever is difficult to move in either direction, rock the Pride LX gently back and forth while turning the levers. The lever should then move to the desired position.



**WARNING!** Do not use your Pride LX while the drive motors are disengaged unless you are in the presence of an attendant! Do not disengage the drive motors while your LX is on an incline. The chair could roll down on its own, causing injury!



**CAUTION!** It is important to remember that when your Pride LX is in freewheel mode, the braking system is disengaged.

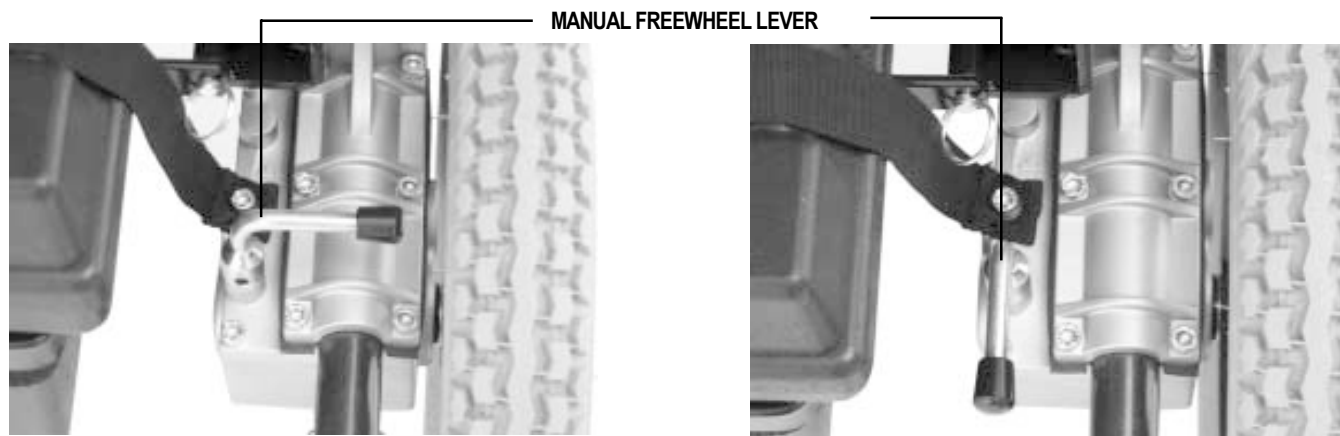


Figure 18. Drive Motors Disengaged (Freewheel Mode)

Figure 19. Drive Motors Engaged (Drive Mode)

# VI. COMFORT ADJUSTMENTS

After you have used your Pride LX for an extended period of time, you may find the need to make some adjustments to increase your comfort. You can change the armrest height, the swing-away footrest length, the controller position, or the seatback height.



**WARNING!** If your Pride LX was configured at your authorized Pride provider, please consult your healthcare professional before changing the seat position or making any other adjustment. Some adjustments may degrade your LX's performance and safety by changing its center of gravity.

## Armrest Height

You can change the armrest height in 1-in. increments. There are five different heights.

### To change the armrest height:

1. Pull out the armrest lever to release the armrest. See figure 20.
2. Move the armrest up or down.
3. Release the armrest lever to lock the armrest.

## Swing-away Footrest Length

You can change the footrest length in 1-in. increments.

### To change the footrest length:

1. Use a 6-mm hex key to loosen the footrest setscrew. See figure 21.
2. Slide the footrest up or down to the desired length.
3. Tighten the 6-mm setscrew.
4. Repeat for the other side.

## Controller Position

You may change the position of the controller by sliding it in or out of its bracket. See figure 22.

### To change the controller position:

1. Loosen the thumbscrew.
2. Slide the controller to the desired position.
3. Tighten the thumbscrew.

PULL OUT TO CHANGE ARMREST HEIGHT.

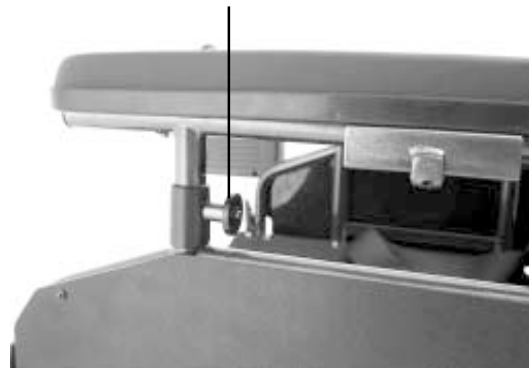


Figure 20. Armrest Height Adjustment

LOOSEN SETSCREW TO CHANGE FOOTREST LENGTH.



Figure 21. Swing-away Footrest

LOOSEN THUMBSCREW TO CHANGE CONTROLLER POSITION.

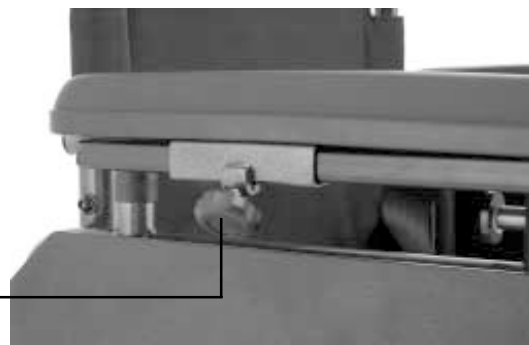


Figure 22. Controller Position

# VI. COMFORT ADJUSTMENTS

## Seatback Height

You can change the seatback height in 1-in. increments. There are five different height adjustment holes.

### To change the seatback height:

1. Use a 4-mm hex key to remove the screws that attach the canes to the frame. See figures 14 and 23.
2. Depending on the position of the seat and the length of the tie-wrap, you may have to cut the tie-wraps that fasten the seatback to the frame. See figure 23.
3. Move the canes up or down to adjust the seatback height.
4. Install the two screws from step 1.
5. Install one tie wrap on each side of the seatback.

## Positioning Belt

Your Pride LX seat is equipped with an auto-type positioning belt that can be adjusted for your comfort. The positioning belt is designed to prevent the operator from sliding down or forward in the seat. The positioning belt is not designed for use as a restraining device.

### To remove/install the positioning belt:

1. Use a 4-mm hex key to remove the screws that attach the canes to the frame. See figures 14 and 23.
2. Remove the seat canes.
3. Slip each end of the belt up and over the frame. See figure 24.
4. Install the two screws from step 1.
5. Install one tie-wrap on each side of the seatback.

### To adjust the positioning belt:

1. When seated, insert the metal tab into the plastic housing on the opposite strap until you hear a click.
2. Pull the strap until it is secure, but not so tight as to cause discomfort.

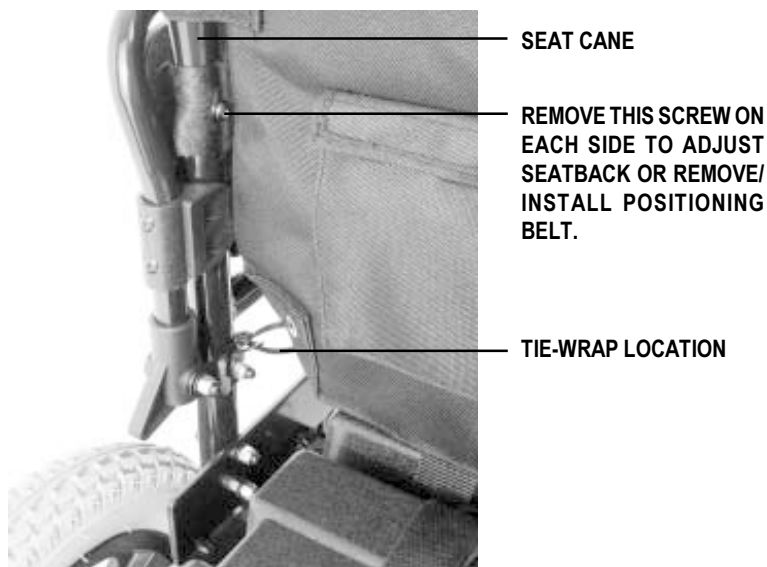


Figure 23. Seatback

AFTER REMOVING THE SEAT CANES, SLIDE BELT OVER FRAME.



Figure 24. Positioning Belt Removal

## VII. DISASSEMBLY

Your Pride LX is a folding power chair. Once you remove the two battery boxes, you can fold the chair for easy transportation or storage.

### To disassemble and fold your Pride LX:

1. Disconnect the electrical connections. See figure 15.
2. Place the Pride LX in freewheel mode. See figure 18.
3. Unstrap the battery boxes.
4. Lift the battery boxes off of the frame.
5. Flip up the foot plates (or you may remove them).
6. Pull up the middle of the battery frame. See figure 25.
7. Fold down the seat canes. See figure 26.
8. Grab the seat strap and pull up the seat.

### To assemble and expand your Pride LX:

1. Push down on the seat bars until they lock into place. See figure 27.
2. Flip up the seat canes and lock them into place.
3. Place the front battery box onto the frame, slide it forward, and connect the battery box straps.
4. Place the rear battery box onto the frame and connect the battery box hold down straps.
5. Connect the controller to the front battery box.
6. Connect the front battery box to the rear battery box. See figure 16.
7. Place the Pride LX into drive mode. See figure 19.



PUSH DOWN LEVER  
ON EACH SIDE TO  
FOLD SEAT CANES.

Figure 26. Seat Cane Release Lever

PULL UP THE BATTERY FRAME BEFORE FOLDING.

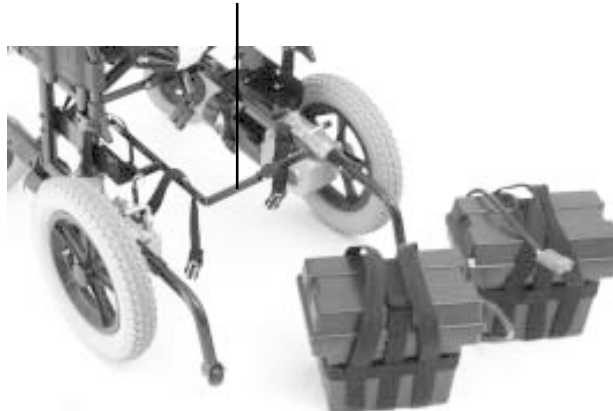


Figure 25. Pride LX - Battery Boxes Removed

PUSH DOWN ON SEAT BARS TO EXPAND.

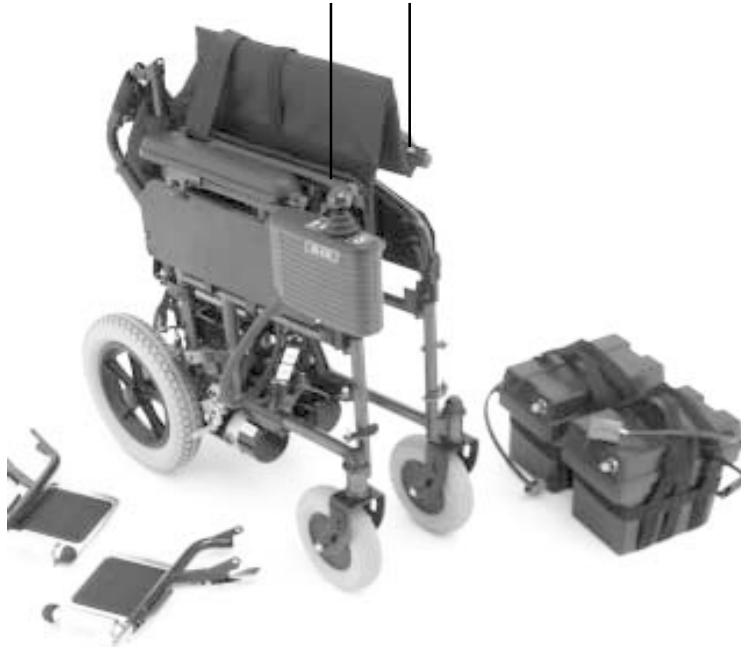


Figure 27. Pride LX - Disassembled and Folded



## VIII. BATTERIES AND CHARGING

Your Pride LX uses two long-lasting, 12-volt, deep-cycle batteries that are sealed and maintenance-free. Since they are sealed, there is no need to check the electrolyte (fluid) level. Deep-cycle batteries are designed to handle a deep discharge. Though they are similar in appearance to automotive batteries, they are not interchangeable. Automotive batteries are not designed to handle a long, deep discharge and also are unsafe for use in power chairs.



**WARNING! Always protect batteries from freezing temperatures and never attempt to charge a frozen battery. This damages the battery and may cause personal injury. Attempting to charge a battery in freezing conditions does not prevent a battery from freezing.**

### Charging Your Batteries

Your Pride LX is equipped with an off-board charger. Typically, off-board chargers plug into the joystick/controller. Refer to the instructions printed on the charger.



**WARNING! You must recharge your Pride LX's batteries with the supplied off-board charging system. Do not use an automotive-type battery charger.**

**WARNING! Never use an extension cord to plug in your battery charger. Plug the charger directly into a properly wired standard wall outlet.**

### Battery Break-in

**To break in your Pride LX's new batteries for maximum efficiency:**

1. Fully recharge any new battery prior to its initial use. This will bring the battery up to about 90% of its peak performance.
2. Drive your Pride LX about the house. Move slowly at first and don't stray too far until you grow accustomed to the controls and break-in the batteries.
3. Give the batteries another full charge of 8 to 14 hours and drive the Pride LX again. The batteries will now perform at over 90% of their potential.
4. After four or five charging cycles, the batteries will top off at 100% charge and last for an extended period.

### Battery Disposal and Recycling

If you encounter a damaged or cracked battery, immediately enclose it in a plastic bag and call your authorized Pride provider for instructions or disposal. Your authorized Pride provider will also have the necessary information on battery recycling, which is our recommended course of action.

# VIII. BATTERIES AND CHARGING

## Frequently Asked Questions (FAQs)

### Can I use a different battery charger?

We do not recommend using other types of chargers (e.g., an automotive battery charger) other than the one suggested by your authorized Pride provider.

### How often must I charge the batteries?

Many factors come into play when deciding how often to charge the batteries. You may use your Pride LX all day on a daily basis or you may not use it for weeks at a time. If you use your Pride LX on a daily basis, charge the batteries as soon as you are finished using it for the day. Each morning, your Pride LX will be ready to give you a full day's service. We recommend that you charge the batteries for 8 to 14 hours after daily use. Do not charge the batteries for more than 24 hours. If you use your Pride LX infrequently (once a week or less), you should charge the batteries at least once per week for 12 to 14 hours.

*NOTE: Keep the batteries fully charged and avoid deeply discharging the batteries. Do not charge them for more than 24 hours at one charge.*

### How can I get maximum range or distance per charge?

Rarely will you have an ideal driving situation, such as smooth, flat, hard terrain with no hills or curves. More often, you will encounter hills, sidewalk cracks, uneven and loosely packed surfaces, and curves. All of these factors will affect the distance or running time per battery charge. Below are a few suggestions for obtaining the maximum range per charge:

- Always fully charge the batteries prior to your trip.
- Plan your trip in advance to avoid inclines if possible.
- Limit the baggage weight to essential items.

### What type of battery should I use?

We recommend deep-cycle batteries that are sealed and maintenance free. Both AGM and Gel-Cell are deep-cycle batteries and are similar in performance.

Use these specifications to reorder deep-cycle batteries:

BATTERY TYPE	
Type:	Deep-cycle (AGM or Gel-Cell)
Size:	U-1
Voltage:	12V each
Amp Hours:	32 amp hours



**WARNING! Corrosive chemicals contained in batteries. Use only AGM or Gel-Cell batteries to reduce the risk of leakage or explosive conditions.**

# VIII. BATTERIES AND CHARGING

## **Why do my new batteries seem weak?**

Deep-cycle batteries employ a different chemical technology than that used in car batteries, nickel-cadmium (nicads), or in other common battery types. Deep-cycle batteries are specifically designed to provide power, drain down, and then accept a relatively quick recharge. Lead-acid batteries should be charged as often as possible. They do not have a “memory” like nickel-cadmium batteries.

We work closely with our battery manufacturer to provide batteries that best suit the Pride LX’s specific demands. Fresh batteries arrive regularly and are promptly shipped with a full charge. During shipping, the batteries encounter temperature extremes that may influence their initial performance. Heat will rob the charge from the battery, and cold will slow the power available and extend the time needed to recharge the battery (just as with a car battery).

It may take a few days for the temperature of a battery to stabilize and adjust to its new ambient temperature. More importantly, it will take a few “charging cycles” (partial draining followed by full recharging) to establish the critical chemical balance that is essential to a battery’s peak performance and long life.

It will be well worth it for you to take the time to break-in the batteries properly.

*NOTE: The useful life of a battery is quite often a reflection of the care it receives.*

## **How can I ensure maximum battery life?**

A fully charged deep-cycle battery will provide reliable performance and extended life. So, keep the batteries fully charged whenever possible. Batteries that are regularly and deeply discharged, infrequently charged, or stored without a full charge may be permanently damaged, causing unreliable Pride LX operation and limited battery life.

## **How should I store my Pride LX and batteries?**

If you do not use your Pride LX regularly, we recommend maintaining battery vitality by charging the batteries at least once per week.

If you do not plan on using your Pride LX for an extended period of time, fully charge the batteries prior to storage. Disconnect the battery harnesses and store the Pride LX in a warm, dry environment. Avoid temperature extremes, such as freezing or excessively hot conditions, and never attempt to charge a frozen battery. A cold or frozen battery should be warmed for several days prior to recharging.

*NOTE: If you are storing your Pride LX for an extended period of time, you may wish to block the unit up off the ground or floor with several boards placed under the frame. This will keep the tires off the ground and prevent the possibility of flat spots developing where the tires rest on the ground or floor.*

## **What about public transportation?**

Sealed lead-acid and gel cell batteries are designed for application in power chairs and other mobility vehicles. We suggest you contact the commercial carrier’s ticket counter in advance to determine the carrier’s specific requirements.

# IX. OPERATION

## DYNAMIC DL-50 CONTROLLER

The DL-50 electronic controller is an integral electronic controller. All of the electronics necessary to operate the power chair are contained in one module. See figure 28.

The DL-50 consists of:

1. joystick
2. on/off push key
3. battery condition meter
4. speed control
5. off-board charger/programming socket
6. 9-pin connector
7. 3-pin charger inhibit connector
8. horn

Typically, the DL-50 is mounted to one of the armrests and is connected to the motors, batteries, and the onboard charger at the electronics tray.

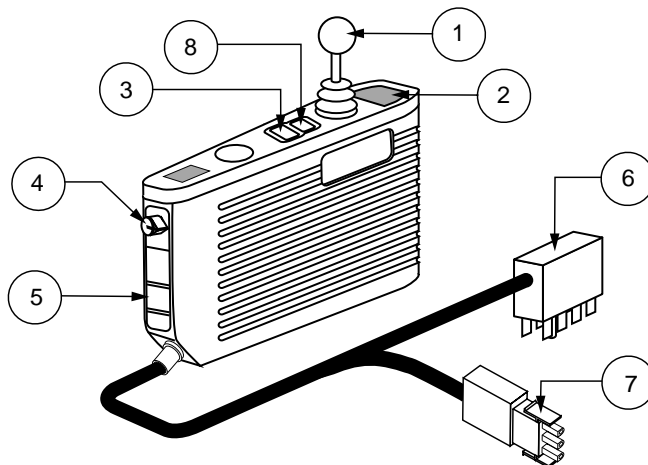


Figure 28. Dynamic DL-50 Controller

### Joystick

The joystick controls the direction and speed of your power chair. When you move the joystick from the neutral (center) position, the electromagnetic brakes release and allow your power chair to move. The further you push the joystick from its neutral position, the faster your power chair moves. When you release the joystick and allow it to return to the neutral position, you engage the electromagnetic brakes. This causes your power chair to decelerate and come to a complete stop.



**WARNING! If your power chair begins to move in an unexpected manner, immediately release the joystick. Unless the joystick is damaged, this action should stop your power chair.**

### On/Off Key

This is an on/off key located in front of the joystick which turns the DL-50 on and off.



**WARNING! Unless faced with an emergency situation, do not use the on/off push button to stop the chair. This will cause the power chair to stop abruptly.**

**WARNING! Always turn the power off when you are stationary to prevent unexpected movement.**

### Battery Condition Meter

The battery condition meter is located behind the joystick. This is a six-segment, three-color illuminated display that indicates if the DL50 is turned on and also gives the battery status, the DL-50 status, and the electrical system status. All six red lights lit represents a full state-of-charge and a single red light lit represents lowest state-of-charge. A low state-of-charge warning is represented by the left-most light flashing on and off.

*NOTE: Check your battery condition meter regularly and charge the batteries before they are completely discharged.*

### Speed Control

Sets the maximum speed of the power chair: clockwise to increase, counterclockwise to decrease.

*NOTE: We recommend that the first few times you operate your power chair, you turn the speed control to the slowest setting until you become familiar with your new power chair.*

# IX. OPERATION

## Off-board Charger/Programming Socket

Your DL-50 may have a 3-pin socket on the front which enables you to use an off-board battery charger. The socket may also be used for reprogramming the controller by using a programmer, should this be necessary. Contact your authorized Pride provider for more information.

## Horn

Activates the horn.

## 9-pin Connector

This connects the DL-50 controller to the power chair's batteries, motors, and motor brakes.

## 3-pin Charger Inhibit Connector

This connects the DL-50 to the onboard battery charger. This connection provides the DL-50 with an inhibit that disables it when the battery charger is on. During charging, the battery condition meter will flash briefly to indicate that the inhibit is active. The charger inhibit connector is coded with colored dots. The dots are positioned so that you align the flat side of the male connector with the flat side of the female connector before making the connection.



**CAUTION! Failure to properly align the connectors can result in damage to the controller, the charger harness, and the connectors.**

## Joystick Out Of Neutral At Power Up

Your power chair joystick is equipped with Out Of Neutral At Power Up (OONAPU). If you power up the system and the joystick is not in the neutral (center) position, the battery gauge flashes rapidly in 2.5-second intervals. The battery gauge will flash as long as the joystick is out of the neutral position. If the joystick remains out of the neutral position for four seconds or more, then the battery gauge will display a fault. If this happens, then return the joystick to the neutral position and power off the DL-50. The next time you power on the DL-50, the code should be cleared.

*NOTE: If this condition persists, contact your authorized Pride provider.*

## Thermal Rollback

The DL-50 electronic controller features a thermal rollback circuit. This circuit monitors the temperature of the motors, the power module, and the master remote. In the event these components become excessively hot (above 122° F), the power module reduces the motor voltage. For every degree above 122° F, the power module reduces the voltage by 5 volts. This reduces your speed and allows the components to cool down. When the temperature returns to a safe level, your power chair will resume its normal speed.

## Troubleshooting

In addition to indicating battery charge, the lights also provide diagnostic information when the DL-50 detects problems with either the electrical system, or the DL-50 itself. These codes are displayed when all lights flash the number of times given by the fault code. The following table identifies the individual fault codes. If you get one of these codes, contact your authorized Pride provider.

# IX. OPERATION

## Fault Codes

The system status LED is displayed within the on/off key. This LED is lit if the system is turned on. It also flashes in groups called flash codes, to indicate system faults. The table below identifies the individual fault codes. If your controller displays one of these codes, contact your authorized Pride provider.

FLASH CODE SEQUENCE	DIAGNOSIS	SOLUTION
•—•—•—	DX module fault	See your authorized Pride provider.
••—••—••—	DX accessory fault	See your authorized Pride provider.
•••—•••—	Left motor (or connection) fault	Check left motor wiring.
••••—••••—	Right motor (or connection) fault	Check right motor wiring.
•••••—•••••—	Left park brake fault	Check motor/brake wiring.
••••••—••••••—	Right park brake fault	Check motor/brake wiring.
•••••••—•••••••—	Low battery fault	Check that the battery wiring is secure.
••••••••—••••••••—	Over voltage fault	Check that the battery wiring is secure.
•••••••••—••••~	CANL fault	See your authorized Pride provider.
••••••~••••••~	CANA fault	See your authorized Pride provider.
••••••~••••••~	Stall timeout	Turn unit on, then off.
••••••~••••••~	Module mismatch	See your authorized Pride provider.

*NOTE: You must turn the controller off and then on again to reset the controller, even if the source of the fault is removed/corrected.*

In the event of a fault, the system status LED displays diagnostic indications. Faults are encoded as follows: one (for a low battery voltage fault) to twelve (module mismatch) and are displayed by the LED flashing the number of times prescribed by the fault code. The flash sequence (one to twelve) is followed by a long off period (2 seconds). If more than one fault exists, then the fault having the highest priority is indicated. The controller must be turned off and then on again even if the source of the fault is removed. If you cannot resolve the problem, contact your authorized Pride provider.

# IX. OPERATION

## PILOT CONTROLLER

The electronic controller is what you use to operate your power chair. It takes the battery voltage and sends it to the appropriate system. The electronic controller also enables you to monitor battery charge, electronic controller functions, and the condition of your electrical system. Also, it may be used to control some optional systems such as power elevating seats and lights.

The Pilot electronic controller is an integral electronic controller. All of the electronics necessary to operate the power chair are contained in one module. See figure 29.

The Pilot consists of:

1. joystick
2. on/off button
3. battery condition meter
4. speed control knob
5. off-board charger/programming socket
6. controller connector
7. 3-pin charger inhibit connector

Typically, the Pilot is mounted to one of the armrests and is connected to the motors, batteries, and the onboard charger at the electronics tray.

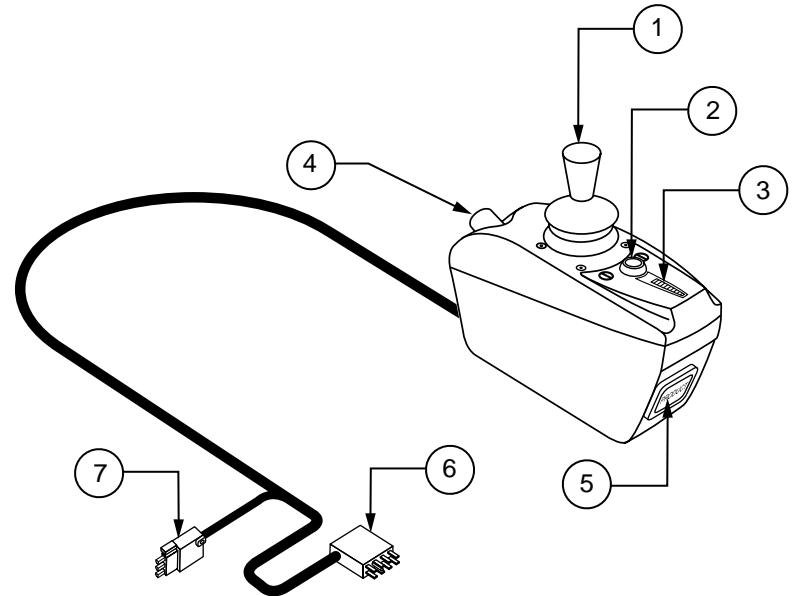


Figure 29. The Pilot Controller

### Joystick

The joystick controls the direction and speed of your power chair. When you move the joystick from the neutral (center) position, the electromagnetic brakes release and allow your power chair to move. The further you push the joystick from its neutral position, the faster your power chair moves. When you release the joystick and allow it to return to the neutral position, you engage the electromagnetic brakes. This causes your power chair to decelerate and come to a complete stop.



**WARNING! If your power chair begins to move in an unexpected manner, immediately release the joystick. Unless the joystick is damaged, this action should stop your power chair.**

### On/Off Button

This is a green button located in front of the joystick. It turns the Pilot on and off.



**WARNING! Unless faced with an emergency situation, do not use the on/off push button to stop the chair. This will cause the power chair to stop abruptly.**

**WARNING! Always turn the power off when you are stationary to prevent unexpected movement.**

### Battery Condition Meter

The battery condition meter is located in front of the joystick. This is a 10-segment illuminated display that indicates that the Pilot is turned on and also gives the battery status, the Pilot status, and the electrical system status.

- **Red, yellow, and green lights lit:** Battery charged; Pilot and electrical system OK.

# IX. OPERATION

- **Red and yellow lights lit:** Charge battery if possible; Pilot and electrical system OK.
- **Red lights only lit or slow flash:** Charge battery as soon as possible; Pilot and electrical system OK.
- **Rapid flash of lights:** Indicates a fault in the Pilot or the electrical system. Refer to “Pilot Error Codes.”
- **Ripple up and down of lights:** The joystick was not in the neutral position when the controller was turned on. If you get “ripple up and down of lights”, turn off the controller, allow the joystick to return to the neutral position, then turn on the controller.

*NOTE: If you still get “ripple up and down of lights”, contact your authorized Pride Provider.*

*NOTE: When the batteries approach a discharged state, the first red light will begin to slowly flash, reminding you the batteries need to be charged immediately!*

## Speed Control Knob

Sets the maximum speed of the power chair: clockwise to increase, counterclockwise to decrease.

*NOTE: We recommend that the first few times you operate your power chair, you turn the speed control to the slowest setting until you become familiar with your new power chair.*

## Off-board Charger/Programming Socket

You may use an off-board charger to charge the power chair batteries through the 3-pin socket located on the front of the Pilot. If you use an off-board charger, the charger current should not exceed 13 amps. Contact your authorized Pride provider for more information.



**CAUTION! Only chargers with Neutrik NC3MX plugs should be connected to the offboard charger/programming socket. See your authorized Pride provider for more information.**

*NOTE: The offboard charger/programming socket may also be used for reprogramming the Pilot. Contact your authorized Pride provider for more information.*

## Controller Connector

This connects the Pilot to the power chair’s batteries, motors, and motor brakes.

## 3-pin Charger Inhibit Connector

This connects the Pilot to the onboard battery charger. This connection provides an inhibit that disables the Pilot when the battery charger is on. The charger inhibit connector is coded with colored dots. The dots are positioned so that you align the flat side of the male connector with the flat side of the female connector before making the connection.



**CAUTION! Failure to properly align the connectors can result in damage to the Pilot, the charger harness, and the connectors.**

## Thermal Rollback

The Pilot is equipped with a thermal rollback circuit. This circuit monitors the temperature of the motors and the Pilot. In the event that either one of the motors or the Pilot becomes excessively hot (above 122° F), the Pilot reduces the motor voltage. For every degree above 122° F, the controller reduces the voltage by 5 volts. This reduces your power chair’s speed and allows the electrical components to cool down. When the temperature returns to a safe level, your power chair resumes its normal speed.



# IX. OPERATION



**WARNING! Under strenuous driving conditions, it is possible for the bottom and side case temperature of the Pilot to exceed 105° F. DO NOT touch the side or bottom of the Pilot case under these circumstances.**

## Trouble Codes

In addition to indicating the current state of battery charge, the battery condition meter can also indicate possible problems with your power chair. The battery condition meter has ten lights. The lights provide information by the number of lights that are flashing. If any of the meter lights are flashing rapidly, the controller may be indicating a fault. For instance, if the first light is flashing rapidly, the battery voltage is nearly depleted. The following is a list of the possible errors signified by the rapidly flashing meter. When you get a trouble code, contact your authorized Pride provider.

FLASHING LIGHTS	DIAGNOSIS	SOLUTION
10	High Battery Voltage	Check batteries.
9	Solenoid Brake Fault	Check motor/brake wiring.
8	Possible Controller Fault	See authorized Pride provider.
7	Possible Joystick Fault	See authorized Pride provider.
6	Inhibit Active	Unplug charger. Check connections.
5	Right Motor Wiring Fault	Check right motor wiring.
4	Right Motor Disconnected	Check right motor wiring.
3	Left Motor Wiring Fault	Check left motor wiring.
2	Left Motor Disconnected	Check left motor wiring.
1	Low Battery Voltage	Check batteries/battery wiring.

# X. CARE AND MAINTENANCE

## CARE AND MAINTENANCE

Your power chair is a sophisticated, motorized vehicle. Like any motorized vehicle, it requires routine maintenance checks. You can perform some of these checks yourself. But other maintenance checks may require assistance from an authorized Pride provider. Routine maintenance is very important. If you follow the routine maintenance checks in this section as scheduled, you can help ensure that your power chair gives you years of trouble-free operation. If you have any doubt as to your power chair's care or operation, contact your authorized Pride provider.

### General Guidelines

- Avoid knocking or bumping the controller, especially the joystick.
- Avoid prolonged exposure of your power chair to extreme conditions, such as heat, cold, or moisture.
- Keep the controller clean.
- When the battery condition meter is completely lit, the batteries are fully charged, and the controller and the electrical system are OK.
- If one red light on the battery condition meter is blinking slowly, the batteries are low and need to be charged, but the controller and the electrical system are OK.
- If the battery condition meter or system status light is blinking rapidly, the controller has detected a fault in either its own circuits or in your power chair's circuits. See IX. "Operation."
- Make sure the drive tires are inflated to **30 – 35 psi**.



**WARNING! Make sure your tires are inflated to 30-35 psi. Do not underinflate or overinflate your tires. Low pressure may result in loss of control, and overinflated tires may burst. Serious personal injury may result. Overinflating tires can cause them to explode and can result in personal injury.**

**WARNING! Do not use a high pressure hose to inflate your tires.**

- Use a rubber conditioner on the tire sidewalls to help preserve them.



**WARNING! Never use a rubber conditioner on the tread area of the tires; doing so may make the tires slippery and cause your power chair to skid.**

- Check all electrical connections. Make sure they are tight and are not corroded. Batteries must sit flat within the battery well, with the battery terminals facing inward, toward each other. Refer to the battery wiring label for the correct wiring layout. See figure 32.
- All wheel bearings are prelubricated and sealed. They require no subsequent lubrication.

### Daily Checks

- With the controller turned off, check the joystick. Make sure it is not bent or damaged and that it returns to the neutral position when you release it.
- Check the rubber boot around the base of the joystick for damage.
- Visually inspect the boot. Do not handle or try to repair it. See your authorized Pride provider if there is a problem.
- Visually inspect the controller harness. Make sure that it is not frayed, cut, or has any wires exposed. See your authorized Pride provider if there is a problem with any harnesses.

### Weekly Checks

- Disconnect and inspect the controller from the electronics tray. Look for corrosion. Contact your authorized Pride provider if necessary.

# X. CARE AND MAINTENANCE

- Ensure that all parts of the controller system are securely fastened to your power chair. Do not overtighten any screws.
- Check for proper tire inflation. There should be **30 – 35 psi** in each pneumatic tire. If a tire does not hold air, see an authorized Pride provider for replacement.
- Calibrate the joystick if you detect a noticeable difference in performance or if the joystick does not operate properly. To calibrate the joystick, power off the unit, place the joystick in the neutral position, and power the unit back on. If a problem still exists with your joystick's performance, contact your authorized Pride provider.
- Check the brakes. This test should be carried out on a level surface with at least three feet of clearance around your power chair.

## To check the brakes:

1. Turn on the controller and turn down the speed of your power chair to the lowest setting.
2. After one second, check the battery condition meter. Make sure that it remains on.
3. Slowly push the joystick forward until you hear the electric brakes click. Immediately release the joystick. You must be able to hear each electrical brake operating within a few seconds of joystick movement. Repeat this test three times, pushing the joystick backwards, then left, and then right.

## Monthly Checks

- Check for extreme wear on the anti-tip wheels. Replace them as necessary.
- Check for drive tire wear. See an authorized Pride provider for repair.
- Check the casters for wear. Replace them as necessary.
- Check the rear forks for damage or fluttering which indicates that they may need to be adjusted or have the bearings replaced. See an authorized Pride provider for repair.
- Keep your power chair clean and free of foreign material, such as mud, dirt, hair, food, and drink, etc.

## Yearly Checks

Take your power chair to an authorized Pride provider for yearly maintenance. This helps ensure that your power chair is functioning properly and helps prevent future complications.

## Storage

Your power chair should be stored in a dry place, free from temperature extremes. When storing, disconnect the batteries from the power chair. See VIII. "Batteries and Charging."



**WARNING! If you fail to store the unit properly, the frame can rust and the electronics can be damaged.**

# X. CARE AND MAINTENANCE

## Cleaning Precautions

**CAUTION!** Never hose off your Pride LX or place it in direct contact with water. Your LX has a painted, ABS plastic body shroud that allows it to be easily wiped clean with a damp cloth.



**CAUTION!** Never use any chemicals to clean a vinyl seat, as they may cause the seat to become slippery or dry out and crack. Use soapy water and dry the seat thoroughly.

**CAUTION!** Direct exposure to water or dampness could cause the power chair to malfunction electronically and mechanically. Water can cause electrical components to corrode and the chair's frame to rust.

### Should your power chair come in contact with water:

1. Dry your power chair as thoroughly as possible with a dry towel.
2. Allow your power chair to sit in a warm, dry place for 12 hours to allow unseen water to evaporate.
3. Check the joystick operation and the brakes before using your power chair again.
4. If you find any inconsistencies, take your power chair to an authorized Pride provider.

### Temperature

Some of the parts of your power chair are susceptible to extreme changes in temperature. Always keep your power chair between the temperatures of 18° F and 122° F.

- In extremely cold temperatures, the batteries may freeze. The specific temperature at which they freeze depends on a number of factors, such as battery charge, usage, and composition of the batteries (e.g., sealed lead-acid or gel cell).
- Temperatures above 122° F may cause your power chair to operate at a reduced speed. This reduced speed is a safety feature built into the controller that helps prevent damage to the motor and other electrical components. See IX. "Operation."

### Tires

You should check your tires at least once per week. This will prolong the life of your tires as well as help ensure the perfect operation of your chair. Look for cuts in your tires or uneven wear. If you have solid tires, you must replace the whole wheel. If you have pneumatic tires, you can replace the tire or the tube. Replacement parts are readily available at your authorized Pride provider.

**WARNING!** To avoid possible injury, be sure that the controller's power is turned off and the power chair is not in freewheel mode before performing this procedure.



**WARNING!** Completely deflate the tire before attempting repair.



Figure 30. Drive Wheel and Motor Brush Location

# X. CARE AND MAINTENANCE

## Follow these easy steps for a quick and safe tire replacement:

1. Place a support under the motor.
2. If you have pneumatic tires, make sure it is completely deflated
3. Pry off the drive wheel nut cap.
4. Use a 17-mm socket to remove the nut and washer from wheel axle. See figure 30.
5. Pull the wheel off of the axle.
6. Slide the new wheel onto the axle.
7. Reinstall the washer and nut, and tighten the nut.
8. Install the drive wheel nut cap.
9. Inflate the tire to **30-35 lbs.**

## Battery Replacement (use only sealed lead-acid or gel cell batteries).



**WARNING! Battery posts, terminals, and related accessories contain lead and lead compounds. Wear goggles and gloves when handling batteries and wash hands after handling.**

**WARNING! Pride Power Chair batteries can weigh up to 60 lbs. each. If you are unable to lift that much weight, be sure to get help. Lifting beyond your capacity can result in personal injury.**

### To replace the battery:

1. Disconnect the rear battery box from the front battery box. See figure 31.
2. Disconnect the rear battery box hold down strap.
3. Lift the rear battery box up and off of the frame.
4. Disconnect the front battery box from the controller. See figure 16.
5. Unstrap the front battery box and lift it up and off of the frame.
6. Move the battery box carrying straps aside.
7. Lift the battery box lid off of the battery box.
8. Disconnect the battery cables from the battery.
9. Remove the old battery.
10. Insert the new battery.
11. Refer to the battery wiring label located on the back battery box. See figure 32.
12. Connect the red wire to the positive (+) terminal on the battery. See figure 33.
13. Connect the white wire to the negative (-) terminal on the battery. See figure 33.

BATTERY BOX HOLD DOWN STRAP

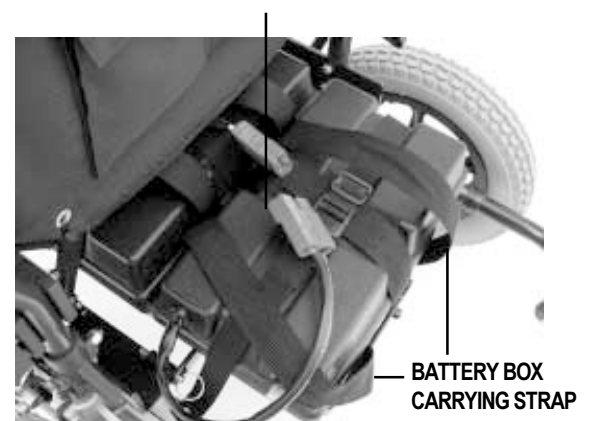


Figure 31. Rear Battery Box Connector



Figure 33. Battery Installation

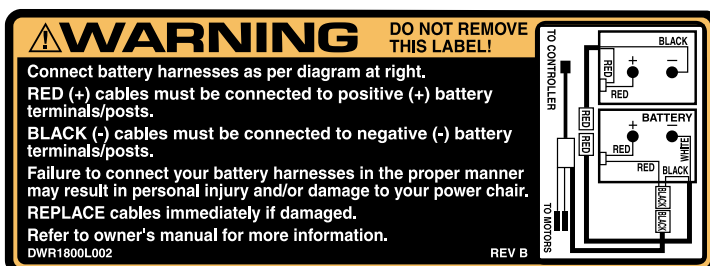


Figure 32. Battery Wiring Label

# X. CARE AND MAINTENANCE



**CAUTION!** Make sure you tighten the fasteners so that the connections are secure.

14. Place the lid back onto the battery box.
15. Move the battery carrying straps back over the top.
16. Place the battery box back on the frame and connect the straps.
17. Reconnect the battery boxes.

## Motor Brushes

The electric motors that power your power chair use carbon brushes. These brushes may become susceptible to wear over a long period of time. The motor brushes are the two contacts located inside the motor assembly that supply power to the motor. They are designed to provide several thousand hours of operation. However, if the brushes become dirty with carbon deposits or wear out, the motor will run poorly or not at all.



**CAUTION!** If inspection determines excessive wear on the brushes, they must be replaced or motor damage will result. Failure to maintain the brushes could void your power chair's warranty.

### To inspect or replace the motor brushes:

1. Unscrew the motor brush caps. See figure 30.
2. Remove the brushes.
3. Inspect for wear. See figure 34.
4. Replace brushes, if necessary. Contact your authorized Pride provider for replacement brushes.

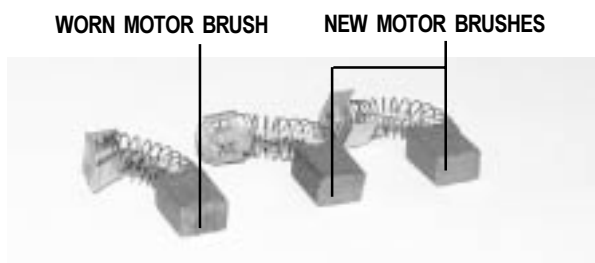


Figure 34. Motor Brushes

## Corrective Maintenance

If the battery condition meter does not light up when you turn on the power:

- Check the harness connections. Make sure they are tight.
- Check the circuit breaker. Reset it if necessary.
- Check the battery connections.

If the above conditions prove normal, you can load test the batteries with a battery load tester. These testers are available at automotive parts stores. Disconnect both batteries before load testing and follow the directions that come with the load tester. If either one of the batteries fails the load test, replace both of them. If your power chair still does not power up, contact your authorized Pride provider.

# X. CARE AND MAINTENANCE

## When to See Your Authorized Pride Provider for Service

The following symptoms could indicate a serious problem with your power chair. If necessary, contact your authorized Pride provider. When calling, have the model number, serial number, nature of the problem, and the trouble code if available.

- Motor noise
- Frayed harnesses
- Cracked or broken connectors
- Uneven wear on any of the tires
- Jerky motion
- Pulling to one side
- Bent or broken wheel assemblies
- Does not power up
- Powers up, but does not move

# XI. WARRANTY

## Five-Year Limited Frame Warranty

There will be a five-year limited frame warranty on Pride workmanship.

## One-Year Limited Warranty

For one (1) year from the date of purchase, Pride will repair or replace at our option to the original purchaser free of charge, any of the following parts found upon examination by an authorized representative of Pride to be defective in material and/or workmanship:

- Electronic controllers and joystick assemblies
- Motor/gearbox assembly
- Main frame subassemblies (fork, caster beams, metal seat base, metal arms, metal foot plate)
- Plastic components except body
- Rubber components
- Bearings and bushings
- Caster and anti-tip wheels

## Warranty Exceptions

**Motor:** The commutator of the motor is not warranted if the damage is caused by not replacing the motor brushes after heavy wear to the brushes. Motor brushes are wear items and are not warranted.

**Brake:** There is a one-year warranty for the electrical function of the brakes. Brake pads are wear items and are not warranted.

**Battery:** The battery is covered by the battery manufacturer. The battery warranty is not covered by Pride.

Warranty service can be performed by your authorized Pride provider. Do not return faulty parts to Pride without prior consent. All transportation costs and shipping damage incurred while submitting parts for repair or replacement are the responsibility of the original purchaser.



# XI. WARRANTY

## Warranty Exclusions

- ABS plastic body shrouds and footrest covers are wear items and not warranted.
- Batteries (battery manufacturer provides a six-month limited warranty)
- Tires and tubes
- Upholstery and seating
- Repairs and/or modifications made to any part without specific prior written consent from Pride
- Circumstances beyond the control of Pride
- Labor, service calls, shipping, and other charges incurred for repair of the product unless specifically authorized by Pride

## Damage caused by:

- Battery fluid spillage or leakage
- Abuse, misuse, accident, or negligence
- Improper operation, maintenance, or storage
- Commercial use, or use other than normal

There is no other express warranty.

Implied warranties, including those of merchantability and fitness for a particular purpose, are limited to one (1) year from the date of purchase and to the extent permitted by law. Any and all implied warranties are excluded. This is the exclusive remedy. Liabilities for consequential damages under any and all warranties are excluded.

Some states do not allow limitations on how long an implied warranty lasts or do not allow the exclusion of limitation of incidental or consequential damages. The above limitation or exclusion may not apply to you.

This warranty gives you specific rights, and you may also have other rights which vary from state to state.

Please fill out and return the product registration card to Pride. This will aid Pride in providing the best possible technical and customer service.

# NOTES

# Pride LX



## Quality Control - Model LX

Thank you for making the Pride LX your choice in power chairs.

We have thoroughly inspected your Pride LX. The following check marks indicate that it has been test driven and inspected.

**Model #** \_\_\_\_\_

**Serial #** \_\_\_\_\_



**Pride keeps a more detailed report on file at the factory.**

\_\_\_\_\_  
Date Inspected

\_\_\_\_\_  
Inspector

## Free Manuals Download Website

<http://myh66.com>

<http://usermanuals.us>

<http://www.somanuals.com>

<http://www.4manuals.cc>

<http://www.manual-lib.com>

<http://www.404manual.com>

<http://www.luxmanual.com>

<http://aubethermostatmanual.com>

Golf course search by state

<http://golfingnear.com>

Email search by domain

<http://emailbydomain.com>

Auto manuals search

<http://auto.somanuals.com>

TV manuals search

<http://tv.somanuals.com>