

Mini Crosser

Owner's Manual

ATTENTION:
Read all information
in this manual before
operating your PMV



The Ultimate In Style & Performance[®]

Pride
Mobility Products Corp.

*Exeter, PA
St. Catharines, ON*

1-800-800-8586

www.pridemobility.com

SAFETY GUIDELINES

The symbols below are used throughout this owner's manual and on the scooter to identify warnings and important information. It is very important for you to read them and understand them completely.



WARNING! Indicates a potentially hazardous condition/situation that can cause personal injury, equipment and/or property damage.



MANDATORY! These actions should be performed as specified. Failure to perform mandatory actions can cause injury to personnel and/or damage to equipment.



PROHIBITED! These actions are prohibited; do not perform at any time or in any situation. Performing a prohibited action can cause personal injury and/or equipment damage.

Please fill out the following information for quick reference:

Pride Provider: _____
Purchase Date: _____
Address: _____
Phone Number: _____
Serial Number: _____

NOTE: This owner's manual is compiled from the latest specifications and product information available at the time of publication. We reserve the right to make changes as they become necessary. Any changes to our products may cause slight variations between the illustrations and explanations in this manual and the product you have purchased.

This product is manufactured by:
Mini Crosser A/S
Enggardvej 7, Snebjerg
7400 Herning

Copyright © 2005
Pride Mobility Products Corp.
INFMANU3202/Rev A/December 2005

CONTENTS

I. INTRODUCTION.....	4
II. SAFETY	5
III. SPECIFICATIONS	14
IV. YOUR PMV	16
V. BATTERIES AND CHARGING	20
VI. OPERATION	24
VII. COMFORT ADJUSTMENTS.....	26
VIII. BASIC TROUBLESHOOTING	29
IX. CARE AND MAINTENANCE	31
X. WARRANTY	35

I. INTRODUCTION

SAFETY

WELCOME to Pride Mobility Products Corporation (Pride). The product you have purchased combines state-of-the-art components with **safety**, comfort, and styling in mind. We are confident the design features will provide you with the conveniences you expect during your daily activities. Understanding how to **safely** operate and care for this product should bring you years of trouble free operations and service.

Read and follow all instructions, warnings, and notes in this manual and all other accompanying literature before attempting to operate this product for the first time. In addition, your **safety** depends upon you, as well as your provider, caretaker, or healthcare professional in using good judgement.

If there is any information in this manual which you do not understand, or if you require additional assistance for setup or operation, please contact your authorized Pride Provider. **Failure to follow the instructions, warnings, and notes in this manual and those located on your Pride product can result in personal injury or product damage and will void Pride's product warranty.**

PURCHASER'S AGREEMENT

By accepting delivery of this product, you promise that you will not change, alter, or modify this product or remove or render inoperable or unsafe any guards, shields, or other safety features of this product; fail, refuse, or neglect to install any retrofit kits from time to time provided by Pride to enhance or preserve the safe use of this product.

INFORMATION EXCHANGE

We want to hear your questions, comments, and suggestions about this manual. We would also like to hear about the safety and reliability of your new Personal Mobility Vehicle (PMV), and about the service you received from your authorized Pride Provider. Please notify us of any change of address, so we can keep you apprised of important information about safety, new products, and new options that can increase your ability to use and enjoy your PMV. Please feel free to contact us at the address below:

Pride Mobility Products Corporation
Attn: Customer Care Department
182 Susquehanna Ave.
Exeter, PA 18643-2694

NOTE: If you ever lose or misplace your product registration card or your copy of this manual, contact us and we will be glad to send you a new one immediately.

PRIDE OWNERS CLUB

As an owner of a Pride product, you are encouraged to enroll in the Pride Owners Club. Complete and return your enclosed product registration card or visit Pride's web site at www.pridemobility.com.

From our home page, select "Owners Club" to enter a page dedicated to current and potential Pride product owners. You will gain access to interviews, stories, recreation ideas, daily living tips, product and funding information, and interactive message boards. These message boards invite you to communicate with other Pride customers as well as Pride representatives who are available to assist you with any questions or concerns.

II. SAFETY

GENERAL



MANDATORY! Do not operate your new PMV for the first time without completely reading and understanding this owner's manual.

Your PMV is a state-of-the-art life-enhancement device designed to increase mobility. Pride provides an extensive variety of products to best fit the individual needs of the PMV user. Please be aware that the final selection and purchasing decision regarding the type of PMV to be used is the responsibility of the PMV user who is capable of making such a decision.

The contents of this manual are based on the expectation that a mobility device expert has properly fitted the PMV to the user and has assisted the Pride Provider in the instruction process for the use of the product.

There are certain situations, including some medical conditions, where the PMV user will need to practice operating the PMV in the presence of a trained attendant. A trained attendant can be defined as a family member or care professional specially trained in assisting a PMV user in various daily living activities.

As you begin using your PMV during daily activities, you will probably encounter situations in which you will need some practice. Simply take your time and you will soon be in full and confident control as you maneuver through doorways, on and off elevators, up and down ramps, and over moderate terrain.

Below are some precautions, tips, and other safety considerations that will help the user become accustomed to operating the PMV safely.

MODIFICATIONS

Pride has designed and engineered your PMV to provide maximum mobility and utility. However, under no circumstances should you modify, add, remove, or disable any feature, part, or function of your PMV.



WARNING! Do not modify your PMV in any way not authorized by Pride. Unauthorized modifications may result in personal injury and/or damage to your PMV.

REMOVABLE PARTS



WARNING! Do not attempt to lift or move your PMV by any of its removable parts. Personal injury and damage to the PMV may result.

II. SAFETY

PRE-RIDE SAFETY CHECK

Get to know the feel of your PMV and its capabilities. Pride recommends that you perform a safety check before each use to make sure your PMV operates smoothly and safely.

Perform the following inspections prior to using your PMV:

- Check for proper tire inflation (if equipped with pneumatic tires).
- Check all electrical connections. Make sure they are tight and not corroded.
- Check all harness connections. Make sure they are secured properly.
- Check the brakes.
- Check battery charge.

If you discover a problem, contact your authorized Pride Provider for assistance.

TIRE INFLATION

If your PMV is equipped with pneumatic tires, you should check or have the air pressure checked at least once a week. Proper inflation pressures will prolong the life of your tires and help ensure the smooth operation of your PMV.



WARNING! It is critically important that 50 psi tire pressure be maintained in pneumatic tires at all times. Do not underinflate or overinflate your tires. Low pressure may result in loss of control, and overinflated tires may burst. Failure to maintain 50 psi tire pressure in pneumatic tires at all times may result in tire and/or wheel failure, causing serious personal injury and/or damage to your PMV.

WARNING! Inflate your PMV tires from a regulated air source with an available pressure gauge. Inflating your tires from an unregulated air source could overinflate them, resulting in a burst tire and/or personal injury.

WEIGHT LIMITATIONS

Your PMV is rated for a maximum weight capacity. Refer to the specifications table for information.



WARNING! Exceeding the weight capacity voids your warranty and may result in personal injury and damage to your PMV. Pride will not be held responsible for injuries and/or property damage resulting from failure to observe weight limitations.

WARNING! Do not carry passengers on your PMV. Carrying passengers may result in personal injury and/or property damage.

INCLINE INFORMATION

More and more buildings have ramps with specified degrees of inclination, designed for easy and safe access. Some ramps may have turning switchbacks (180-degree turns) that require you to have good cornering skills on your PMV.

- Proceed with extreme caution as you approach the downgrade of a ramp or other incline.
- Take wide swings with your PMV around any tight corners. If you do that, the PMV's rear wheels will follow a wide arc, not cut the corner short, and not bump into or get hung up on any railing corners.
- When driving down a ramp, keep the PMV's speed adjustment set to the slowest speed setting to ensure a safely controlled descent.
- Avoid sudden stops and starts.

II. SAFETY

When climbing an incline, try to keep your PMV moving. If you must stop, start up again slowly, and then accelerate cautiously. When driving down an incline, do so by setting the speed adjustment dial to the slowest setting and driving in the forward direction only. If your PMV starts to move down the incline faster than you anticipated or desired, allow it to come to a complete stop by releasing the throttle control lever. Then push the throttle control lever forward slightly to ensure a safely controlled descent.

WARNING! When climbing an incline, do not zigzag or drive at an angle up the face of the incline. Drive your PMV straight up the incline. This greatly reduces the possibility of a tip or a fall. Always exercise extreme caution when negotiating an incline.

WARNING! Do not drive your PMV across the side of an incline or diagonally up or down an incline; do not stop, if possible, while driving up or down an incline.



WARNING! You should not travel up or down a potentially hazardous incline (i.e., areas covered with snow, ice, cut grass, or wet leaves).

WARNING! When on any sort of an incline or decline, never place the PMV in freewheel mode while seated on it or standing next to it.

WARNING! Even though your PMV is capable of climbing slopes greater than illustrated in figure 1, do not, under any circumstances, exceed the incline guidelines or any other specifications presented in this manual. Doing so could cause instability in your PMV, resulting in personal injury and/or damage to your PMV.

Handicap public access ramps are not subject to government regulation in all countries, and therefore do not necessarily share the same standard percent of slope. Other inclines may be natural or, if man-made, not designed specifically for PMVs. Figure 1 illustrates your PMV's stability and its ability to climb grades under various weight loads and under controlled testing conditions.

These tests were conducted with the PMV's seat in the highest position and adjusted rearward on the seat base to its farthest rearward position. Use this information as a guideline. Your PMV's ability to travel up inclines is affected by your weight, the PMV's speed, the angle of approach to the incline, and your PMV setup.

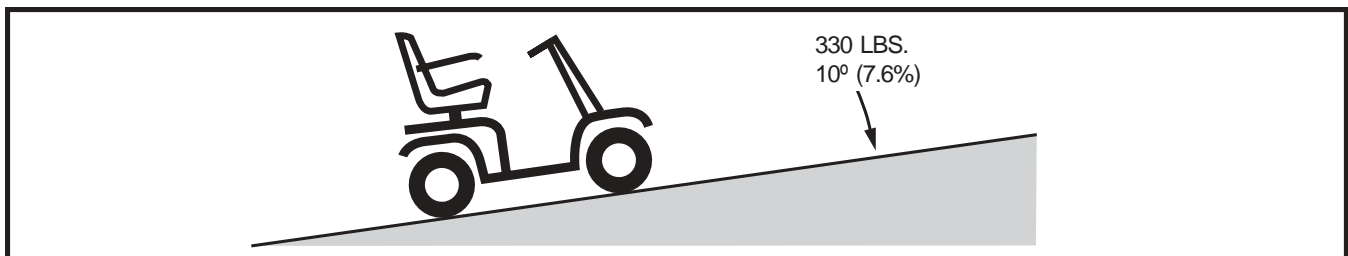


Figure 1. Maximum Recommended Incline Angle



WARNING! Any attempt to climb or descend a slope steeper than what is shown in figure 1 may put your PMV in an unstable position and cause it to tip, resulting in personal injury.

II. SAFETY

When you approach an incline, it is best to lean forward. See figures 2 and 2A. This shifts the center of gravity of you and your PMV toward the front of the PMV for improved stability.

NOTE: When negotiating ramps, if the throttle control lever is released while moving forward, the powered PMV may "rollback" approximately 1 foot before the brake engages. If the throttle control lever is released while moving in reverse, the powered PMV may "rollback" approximately 3 feet before the brake engages.

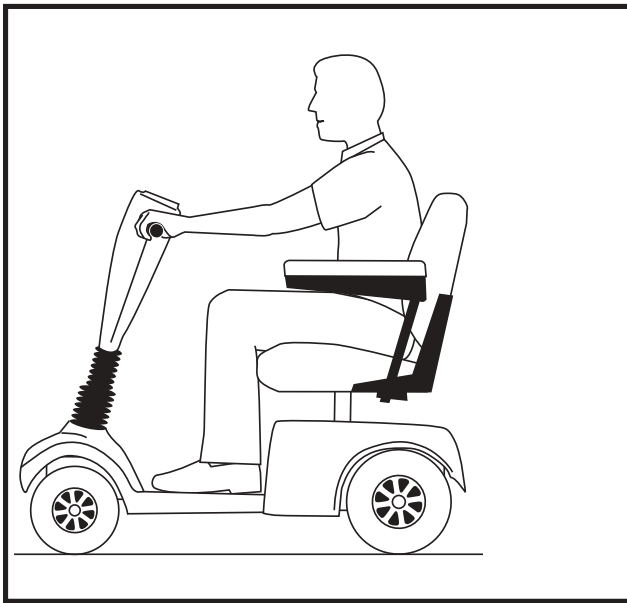


Figure 2. Normal Driving Position

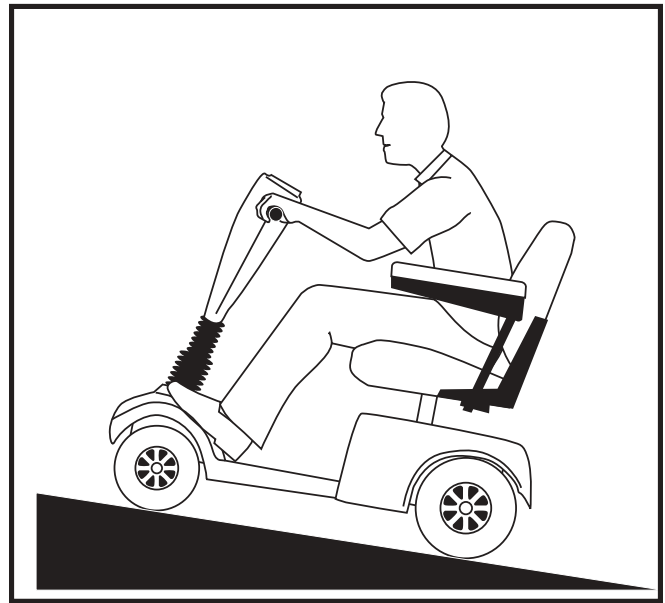


Figure 2A. Increased Stability Driving Position

CORNERING INFORMATION

Excessively high cornering speeds can create the possibility of tipping. Factors which affect the possibility of tipping include, but are not limited to, cornering speed, steering angle (how sharply you are turning), uneven road surfaces, inclined road surfaces, riding from an area of low traction to an area of high traction (such as passing from a grassy area to a paved area – especially at high speed while turning), and abrupt directional changes. High cornering speeds are not recommended. If you feel that you may tip over in a corner, reduce your speed and steering angle (i.e., lessen the sharpness of the turn) to prevent your PMV from tipping.



WARNING! When cornering sharply, reduce your speed. When using your PMV at higher speeds, do not corner sharply. This greatly reduces the possibility of a tip or fall. To avoid personal injury or property damage, always exercise common sense when cornering.

BRAKING INFORMATION

Your PMV is equipped with these powerful brake systems:

- Regenerative: Uses electricity to rapidly slow the vehicle when the throttle control lever returns to the center/stop position.
- Disc Park Brake: Activates mechanically after regenerative braking slows the vehicle to near stop, or when power is removed from the system for any reason.
- Handbrake: Gives you additional stopping power when squeezed.

II. SAFETY

OUTDOOR DRIVING SURFACES

Your PMV is designed to provide optimum stability under normal driving conditions—dry, level surfaces composed of concrete, blacktop, or asphalt. However, Pride recognizes that there will be times when you will encounter other surface types. For this reason, your PMV is designed to perform admirably on packed soil, grass, and gravel. Feel free to use your PMV safely on lawns and in park areas.

- Reduce your PMV's speed when driving on uneven terrain and/or soft surfaces.
- Avoid tall grass that can become tangled in the running gear.
- Avoid loosely packed gravel and sand.
- If you feel unsure about a driving surface, avoid that surface.

STREETS AND ROADWAYS



WARNING! Use extreme caution when operating your PMV on public streets and roadways. Be aware that it may be difficult for traffic to see you when you are seated on your PMV. Obey all local pedestrian traffic rules. Wait until your path is clear of traffic, and then proceed with extreme caution.

STATIONARY OBSTACLES (STEPS, CURBS, ETC.)

WARNING! Do not drive near raised surfaces, unprotected ledges, and/or drop-offs (curbs, porches, stairs, etc.).

WARNING! Do not attempt to have your PMV climb or descend an obstacle that is inordinately high. Serious personal injury and/or damage may result.



WARNING! Do not attempt to have your PMV proceed rearward down any step, curb, or other obstacle. This may cause the PMV to tip and cause personal injury.

WARNING! Be sure your PMV is traveling perpendicular to any curb you may be required to ascend or descend. See figures 3 and 3A.

WARNING! Do not attempt to negotiate a curb that has a height greater than 4.72 in.

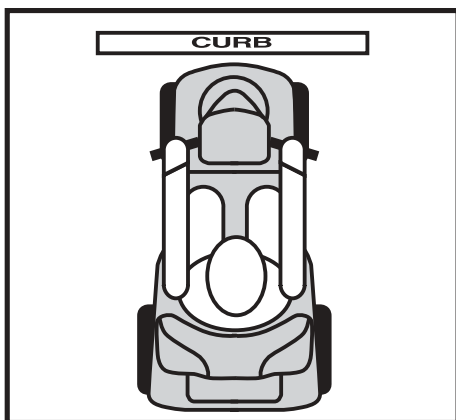


Figure 3. Correct Curb Approach

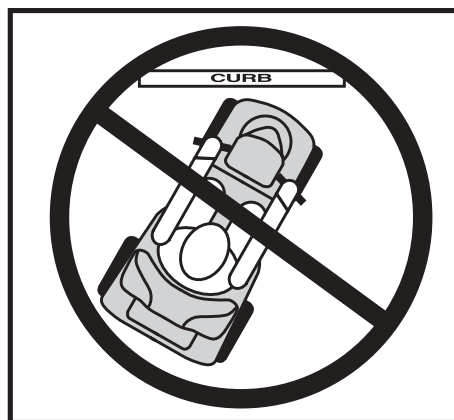


Figure 3A. Incorrect Curb Approach

II. SAFETY

INCLEMENT WEATHER PRECAUTIONS

Exposure of your PMV to inclement weather conditions should be avoided whenever possible. If suddenly caught up in rain, snow, severe cold or heat while operating your PMV proceed to shelter at the earliest opportunity. Thoroughly dry your PMV before storing, charging, or operating your PMV.



WARNING! Operating in rain, snow, salt, mist/spray conditions, and on icy/slippery surfaces can cause personal injury and/or damage to the PMV and electrical system. Maintain and store your PMV in a dry and clean condition.

FREEWHEEL MODE

Your PMV is equipped with a manual freewheel lever that, when pushed down, allows the PMV to be pushed. For more information about how to place your PMV into and out of freewheel mode, see IV. “Your PMV.”



WARNING! When your PMV is in freewheel mode, the braking system is disengaged.

- Disengage the drive motors only on a level surface.
- Ensure the key is removed from the key switch.
- Stand behind the PMV to engage or disengage freewheel mode. Never sit on a PMV to do this.
- After you have finished pushing your PMV, always return it to the drive mode to lock the brakes.

Failure to heed the above could result in personal injury and/or damage to your PMV.

An added feature is built into the PMV which safeguards against gaining excessive speed while in freewheel mode. If the freewheel lever is disengaged from drive mode while the key is in the on position, you will encounter resistance as the PMV’s controller activates regenerative braking preventing the vehicle from rolling freely. Whenever freewheel mode is desired, the power must be off.

NOTE: If the PMV is placed in freewheel mode (manual freewheel lever pushed down) while the key is in the “on” position, the PMV will not run until the manual freewheel lever is pulled up and the key is turned to the “off” position, then back to the “on” position.

STAIRS AND ESCALATORS

PMVs are not designed to travel up or down stairs or escalators. Always use an elevator.



WARNING! Do not use your PMV to negotiate steps or escalators. You may cause injury to yourself and to others and/or damage your PMV.

DOORS

- Determine if the door opens toward or away from you.
- Use your hand to turn the knob or push the handle or push-bar.
- Drive your PMV gently and slowly forward to push the door open. Or drive your PMV gently and slowly rearwards to pull the door open.

LIFT/ELEVATION PRODUCTS

If you will be traveling with your PMV, you may find it necessary to use a lift/elevation product to aid in transportation. Pride recommends that you closely review the instructions, specifications, and safety information set forth by the manufacturer of the lift/elevation product before using that product.

II. SAFETY

ELEVATORS

Modern elevators have a door edge safety mechanism that, when pushed, reopens the door(s).

- If you are in the doorway of an elevator when the door(s) begin to close, push on the rubber door edge or allow the rubber door edge to contact the PMV and the door will reopen.
- Use care that pocketbooks, packages, or PMV accessories do not become caught in elevator doors.

NOTE: *If your PMV's turning radius is greater than 60 in., it may be difficult to maneuver in elevators and building entrances. Use caution when attempting to turn or maneuver your PMV in small spaces, and avoid areas that might pose a problem.*

BATTERIES

In addition to following the warnings below, be sure to comply with all other battery handling information.

WARNING! PMV batteries are heavy (refer to specifications table). Lifting weight beyond your capacity could result in personal injury. If necessary, get someone physically able to lift the PMV batteries for you.



WARNING! Battery posts, terminals, and related accessories contain lead and lead compounds. Wash hands after handling.

WARNING! Always protect the batteries from freezing and never charge a frozen battery. Charging a frozen battery may result in personal injury and/or damage to the battery.

WARNING! RED (+) cables must be connected to positive (+) battery terminals/posts. BLACK (-) cables must be connected to negative (-) battery terminals/posts. Failure to connect your battery harnesses in the proper manner may result in personal injury and/or damage to your PMV. REPLACE cables immediately if damaged.

BATTERY DISPOSAL AND RECYCLING

If you encounter a damaged or cracked battery, immediately enclose it in a plastic bag and call your authorized Pride Provider for instructions on disposal. Your authorized Pride Provider will also have the necessary information on battery recycling, which is our recommended course of action.

MOTOR VEHICLE TRANSPORT

Currently, there are no standards approved for tie-down systems in a moving vehicle of any type to transport a person while seated in a PMV.

Although your PMV may be equipped with a positioning belt, this belt is not designed to provide proper restraint during motor vehicle transport. Anyone traveling in a motor vehicle should be properly secured in the motor vehicle seat with safety belts fastened securely.



WARNING! Do not sit on your PMV while it is in a moving vehicle. Personal injury and/or property damage may result.

WARNING! Ensure your PMV and its batteries are properly secured when being transported. Failure to do so may result in personal injury and/or damage to your PMV.

II. SAFETY

PREVENTING UNINTENDED MOVEMENT



WARNING! If you anticipate being seated in a stationary position for an extended period of time, turn off the power. This will prevent unexpected motion from inadvertent throttle control lever contact. Failure to do so may result in personal injury.

GETTING ONTO AND OFF OF YOUR PMV

Getting onto and off of your PMV requires a good sense of balance. Please observe the following safety tips when getting onto and off of your PMV:

- Remove the key from the key switch.
- Ensure that your PMV is not in freewheel mode. See IV. “Your PMV.”
- Make certain that the seat is locked into place.
- Flip up the armrests up to make getting onto and off of the PMV easier.

WARNING! Position yourself as far back as possible in the PMV seat to prevent the PMV from tipping and causing injury.



WARNING! Avoid using your armrests for weight bearing purposes. Such use may cause the PMV to tip and cause personal injury.

WARNING! Avoid putting all of your weight on the floorboard. Such use may cause the PMV to tip and cause personal injury.

REACHING AND BENDING

Avoid reaching or bending while driving your PMV. Bending forward creates the risk of accidental throttle control lever contact. Bending to the side while seated creates the risk of tipping. It is important to maintain a stable center of gravity and keep the PMV from tipping. Pride recommends that the PMV user determine his/her personal limitations and practice bending and reaching in the presence of a qualified attendant.



WARNING! Do not bend, lean, or reach for objects if you have to pick them up from the PMV deck or from either side of the PMV. Movements such as these may change your center of gravity and the weight distribution of the PMV and cause your PMV to tip, possibly resulting in personal injury.

WARNING! Prevent personal injury! Keep your hands away from the tires when driving. Be aware that loose fitting clothing can become caught in drive tires.

POSITIONING BELTS

Your authorized Pride Provider, therapist(s), and other healthcare professionals are responsible for determining your requirement for a positioning belt in order to operate your PMV safely.



WARNING! If you require a positioning belt to safely operate your PMV, make sure it is fastened securely. Serious personal injury may result if you fall from the PMV.

II. SAFETY

PRESCRIPTION DRUGS/PHYSICAL LIMITATIONS

The PMV user must exercise care and common sense when operating his/her PMV. This includes awareness of safety issues when taking prescribed or over-the-counter drugs or when the user has specific physical limitations.



WARNING! Consult your physician if you are taking prescribed or over-the-counter medication or if you have certain physical limitations. Some medications and limitations may impair your ability to operate your PMV in a safe manner.

ALCOHOL

The PMV user must exercise care and common sense when operating his/her PMV. This includes awareness of safety issues while under the influence of alcohol.



WARNING! Do not operate your PMV while you are under the influence of alcohol, as this may impair your ability to drive safely.

ELECTROMAGNETIC AND RADIO FREQUENCY INTERFERENCE (EMI/RFI)



WARNING! Laboratory tests have shown that electromagnetic and radio frequency waves can have an adverse affect on the performance of electrically-powered mobility vehicles.

Electromagnetic and Radio Frequency Interference can come from sources such as cellular phones, mobile two-way radios (such as walkie-talkies), radio stations, TV stations, amateur radio (HAM) transmitters, wireless computer links, microwave signals, paging transmitters and medium-range mobile transceivers used by emergency vehicles. In some cases, these waves can cause unintended movement or damage to the control system. Every electrically-powered mobility vehicle has an immunity (or resistance) to EMI. The higher the immunity level, the greater the protection against EMI. This product has been tested and has passed at an immunity level of 20 V/M.

WARNING! Be aware that cell phones, two-way radios, laptops, and other types of radio transmitters may cause unintended movement of your electrically-powered mobility vehicle due to EMI. Exercise caution when using any of these items while operating your mobility vehicle and avoid coming into close proximity of radio and TV stations.



WARNING! The addition of accessories or components to the electrically-powered mobility vehicle can increase the susceptibility of the vehicle to EMI. Do not modify your PMV in any way not authorised by Pride.

WARNING! The electrically-powered mobility vehicle itself can disturb the performance of other electrical devices located nearby, such as alarm systems.

NOTE: For further information on EMI/RFI, go to the resource center on www.pridemobility.com. If unintended motion or brake release occurs, turn the PMV off as soon as it is safe to do so. Call Pride at 800-424-8205 to report the incident.

III. SPECIFICATIONS

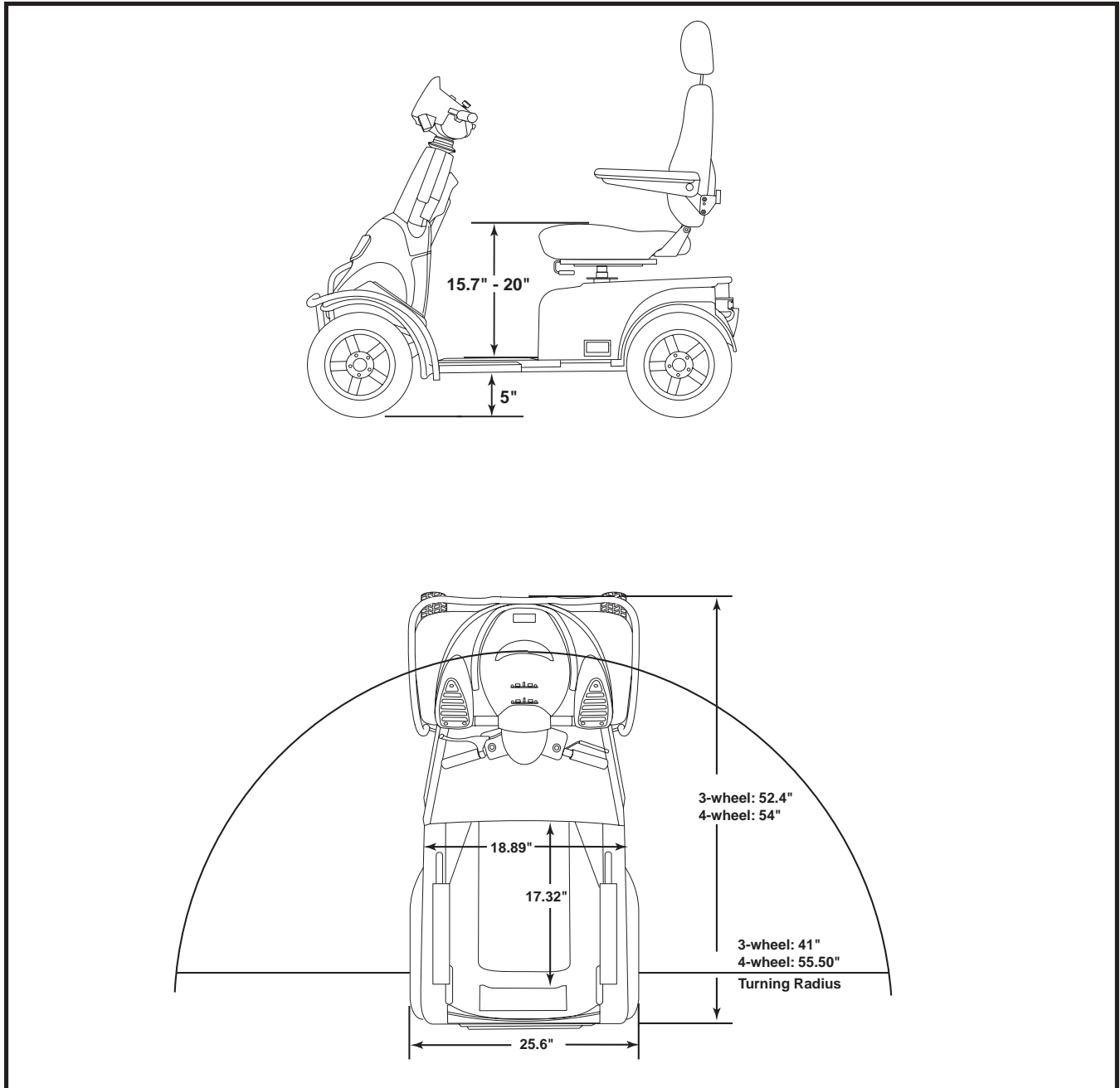


Figure 4. PMV Dimensions

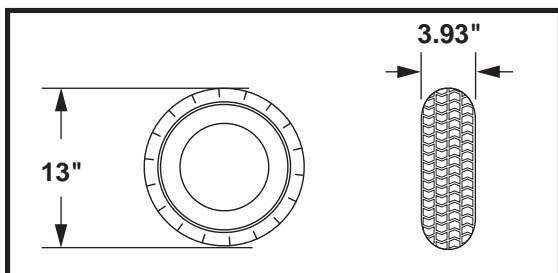


Figure 4A. Tire Dimensions (Front And Rear)

III. SPECIFICATIONS

Model Number	3-wheel: PMV130T3 4-wheel: PMV130T4
Maximum Climbing Ability	See figure 1.
Maximum Obstacle Climbing Ability	4.7 in.
Color	Blue
Overall Length²	3-wheel: 52.4 in. 4-wheel: 54 in.
Overall Width²	25.6 in.
Total Weight	3-wheel: 422 lbs. 4-wheel: 445 lbs.
Total Weight Without Batteries	3-wheel: 312 lbs. 4-wheel: 335 lbs.
Battery Weight (70 AH)	55 lbs. each
Heaviest Piece When Disassembled	Main frame
Turning Radius²	3-wheel: 41 in. 4-wheel: 55.5 in.
Speed (Maximum)	Up to 8 mph
Range Per Charge¹ (With 70 AH batteries)	3-wheel: Up to 30 miles maximum 4-wheel: Up to 37 miles maximum
Ground Clearance²	5.1 in.
Weight Capacity	330 lbs.
Standard Seating	Type: High-Back Material: black vinyl Weight: 40 lbs.
Drive System	Rear-wheel drive, sealed mini transaxle, 24 volt DC motor
Dual Braking System	Electronic, regenerative, electromechanical, handbrake
Tires	Type: pneumatic: front and rear: 3.93 in. x 13 in.
Battery Requirements	Type: Two 12 volt, deep-cycle (AGM or Gel-Cell type recommended) Size: Group 24 (70 AH)
Battery Charger	Off-board charger

(1) Varies with user weight, terrain type, battery charge, battery condition, and tire condition.

(2) Due to manufacturing tolerances and continual product improvement, this specification can be subject to variance of (+ or -) 3 %.

NOTE: All specifications subject to change without notice.

IV. YOUR PMV

TILLER CONSOLE

The tiller console houses all of the controls needed to drive your PMV. See figure 5.



WARNING! Do not expose the tiller console to moisture. In the event that the tiller console does become exposed to moisture, do not attempt to operate your PMV until the tiller console has dried thoroughly.

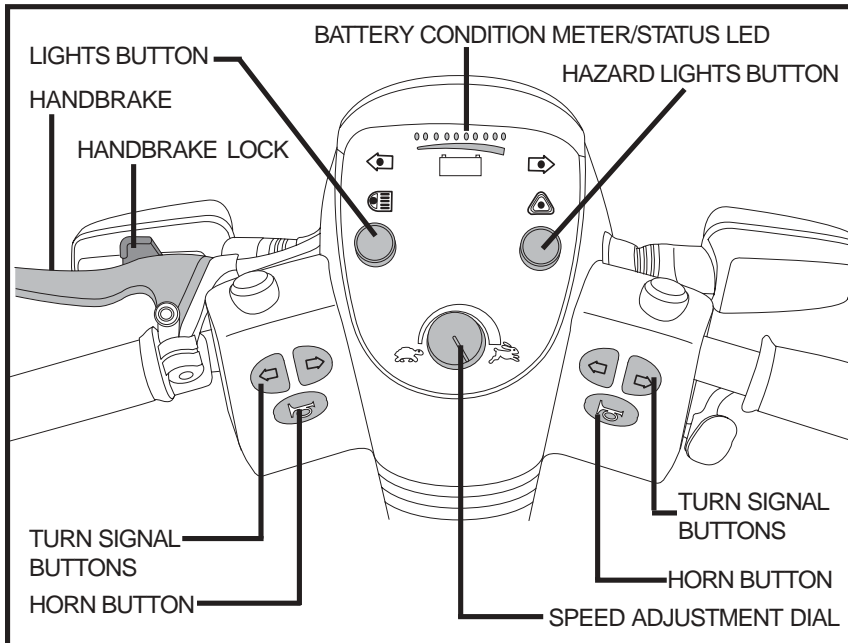


Figure 5. Tiller Console

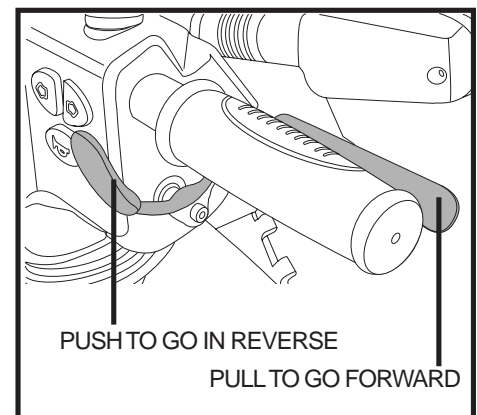


Figure 5A. Throttle Control Lever

Battery Condition Meter

When the key is fully inserted and turned clockwise to power up your PMV, this meter indicates the approximate battery voltage strength. For further information on battery charging, see V. "Batteries and Charging."

Status LED

The battery condition meter doubles as a status LED which alerts you to electrical problems that may occur with the PMV. If your PMV develops an electrical problem, the status LED will flash a code. See VIII. "Basic Troubleshooting" for flash codes.

Turn Signal Buttons

- Press the appropriate turn signal button once to activate it.
- Press the same indicator button to turn it off.

Hazard Lights Button

This switch activates the 4-way flashers on your PMV.

- Push the hazard lights button to turn on the flashers.
- Push the hazard lights button again to turn off the flashers.

Handbrake

- Release the throttle control lever and squeeze the handbrake for additional stopping power.
- To lock the handbrake into place, squeeze it fully and push the handbrake lock to the right.
- To disengage the handbrake lock, squeeze the handbrake.

IV. YOUR PMV

Throttle Control Lever

This lever allows you to control the forward speed and the reverse speed of your PMV up to the maximum speed you preset with the speed adjustment dial. See figure 5A.

- Place your right hand on the right handgrip and your left hand on the left handgrip.
- Use your right thumb to push the throttle control lever to disengage your PMV's brakes and move rearward.
- Use your right forefingers to pull back on the throttle control lever to move forward.
- When the throttle control lever is completely released, it automatically returns to the center "stop" position and engages your PMV's brakes.

NOTE: Allow your PMV to come to a complete stop before going from forward to reverse or reverse to forward.

Horn Buttons

These buttons activate a warning horn. The PMV must be powered up for the horn to be operational. Do not hesitate to use the warning horn when doing so may prevent accident or injury.

Lights Button

This button controls your PMV's lights.

- Push the light button to turn on your PMV's running lights.
- Push the button again to turn off the lights.



WARNING! PMV users are required to use their lights when visibility is restricted—day or night. Failure to use the lighting system in periods of poor visibility may result in personal injury.

Speed Adjustment Dial

This dial allows you to preselect and limit your PMV's top speed.

- The image of the tortoise represents the slowest speed setting.
- The image of the hare represents the fastest speed setting.

Key Switch



NOTE: If the key is moved to the "off" position while your PMV is in motion, the PMV will come to a normal stop.

- Insert the key into the key switch and turn it clockwise to power up (turn on) your PMV — (1) indicates the on position. See figure 6.
- Turn the key counterclockwise to power down (turn off) your PMV — (0) indicates the off position.

Charger Port

The (3-pin) off-board charger cord plugs into this port.

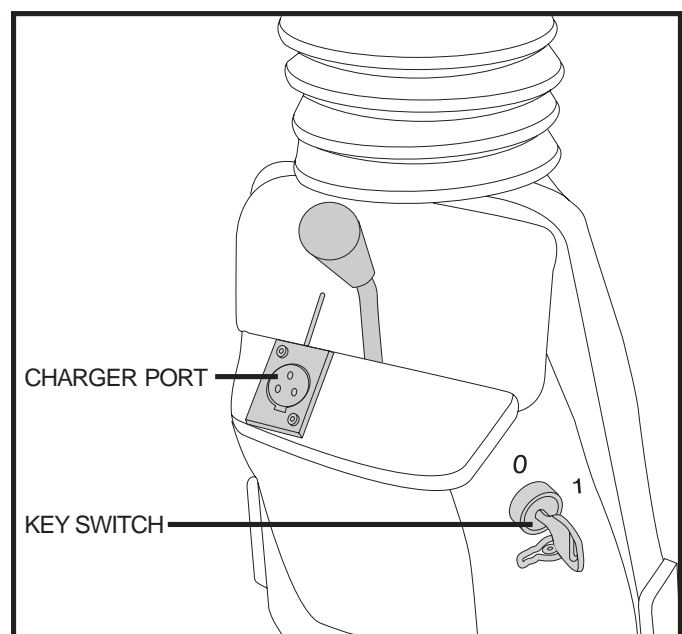


Figure 6. Lower Tiller Components

IV. YOUR PMV

REAR SECTION

Anti-Tip Wheels

The anti-tip wheels are an integral and important safety feature of your PMV. Do not, under any circumstances, remove the anti-tip wheels from your PMV. See figure 7.



PROHIBITED! Do not remove the anti-tip wheels or modify your PMV in any way that is not authorized by Pride.



WARNING! The anti-tip wheels are bolted to the PMV frame and may cause trouble when ascending or descending a curb.

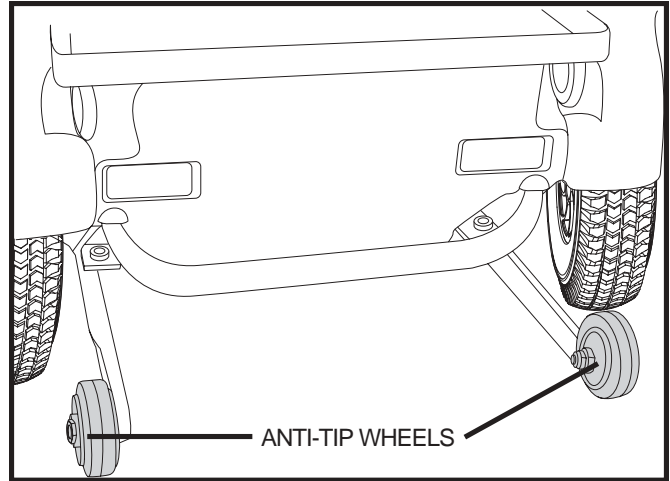


Figure 7. Anti-Tip Wheels

Manual Freewheel Lever

Whenever you need or want to push your PMV for short distances, you can put it in freewheel mode. See figure 8.

- Remove the key from the key switch.
- Push down on the manual freewheel lever to disable the drive system and the brake system.
- You may now push your PMV.
- Pull up on the manual freewheel lever to reengage the drive and the brake systems and take your PMV out of freewheel mode.

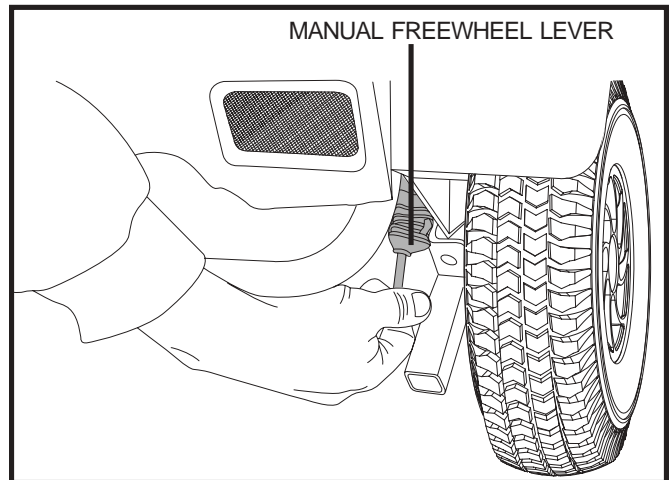


Figure 8. Manual Freewheel Lever



WARNING! When your PMV is in freewheel mode, the braking system is disengaged. Adhere to the following safety information to avoid personal injury and/or damage to your PMV.



PMV is in drive mode; do not sit on the PMV when the drive motors are disengaged.

Disengage the drive motors only on a level surface.

Place unit on level ground and stand behind or to one side when changing from drive mode to freewheel mode or freewheel mode to drive mode. Never sit on a PMV to do this.

NOTE: If the PMV is placed in freewheel mode (manual freewheel lever down) while the key is in the “on” position, the PMV will not run until the manual freewheel lever is pulled up and the key is turned to the “off” position, then back to the “on” position.

IV. YOUR PMV

Batteries (Not Shown)

The batteries store electrical energy that powers your PMV. See V. “Batteries and Charging” for information on how to charge your PMV batteries.

Motor/Transaxle Assembly (Not Shown)

The motor/transaxle assembly is an electromechanical unit that converts electrical energy from your PMV’s batteries into the controlled mechanical energy that drives the PMV’s wheels.

Fuses

These fuses, located at the rear of the PMV under the rear shroud, help protect your PMV’s electrical systems from receiving an overload of electrical current. The fuses used in your PMV are the same type used in automobiles. See figure 9. See VIII. “Basic Troubleshooting” for fuse replacement.

Fuse	Amperage	System
1	40-amp	Charging
2	10-amp	Controller
3	10-amp	Power Seat
4	40-amp	Spare
5	40-amp	Spare

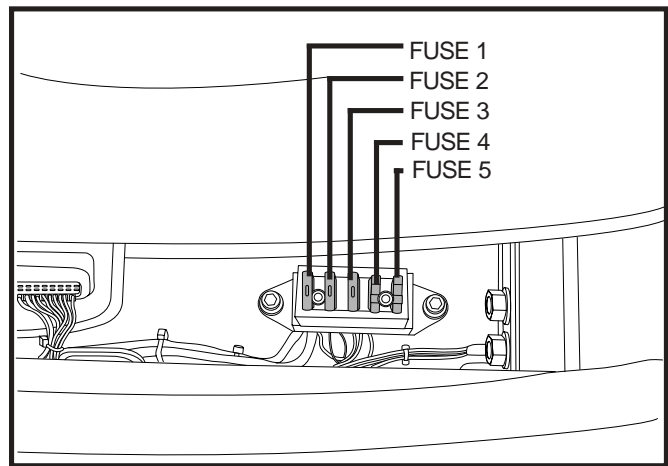


Figure 9. Fuses

SECUREMENT POINTS

Steel loops welded to the rear of the PMV and front frame components of your PMV provide securement points. These points are marked with a sticker. See figure 10. These should only be used with an unoccupied PMV and secured by an approved securement system in accordance with the manufacturer’s instructions. Pride makes no representation of suitability for use with specific securement systems nor can we anticipate the various situations that might arise in use of public transportation systems. For detailed instructions on the use of securements, refer to the applicable municipal transit authority and/or manufacturer of the system used.

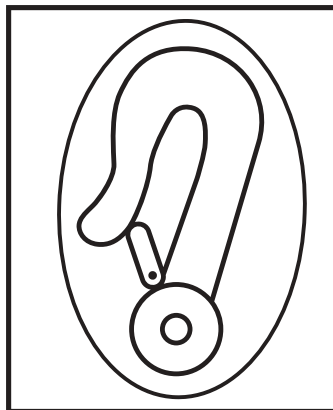


Figure 10. Marks Designated Securement Points



WARNING! DO NOT leave the PMV in freewheel mode when securing it for transport.

WARNING! DO NOT use your PMV as a seat in a moving vehicle.

V. BATTERIES AND CHARGING

Your PMV requires two long-lasting, 12-volt, deep-cycle batteries that are sealed and maintenance free. They are recharged by an off-board charging system.

- Charge your PMV's batteries prior to using it for the first time.
- Keep the batteries fully charged to keep your PMV running smoothly.

READING YOUR BATTERY VOLTAGE

The battery condition meter on the tiller console indicates the approximate strength of your batteries using a color code. See figure 11. From right to left, green indicates fully charged batteries, yellow a draining charge, and red indicates that an immediate recharge is necessary.

NOTE: To ensure the highest accuracy, the battery condition meter should be checked while operating your PMV at full speed on a dry, level surface.

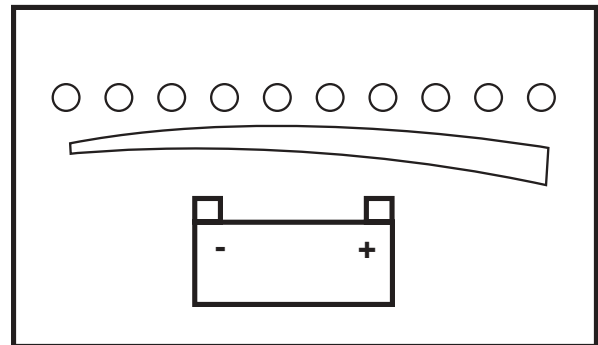


Figure 11. Battery Condition Meter

CHARGING YOUR BATTERIES



PROHIBITED! Never use an extension cord to plug in your battery charger. Plug the charger directly into a properly wired standard electrical outlet.

PROHIBITED! Removal of the grounding prong can create an electrical hazard. If necessary, properly install an approved 3-pronged adapter to an electrical outlet having 2-pronged plug access. Failure to heed could result in personal injury and/or property damage.



WARNING! Ensure that both ends of the charger power cord are clean and dry before plugging the charger power cord into the off-board battery charger port or the electrical outlet.

Follow these easy steps to charge your batteries safely:

1. Position your PMV close to a standard electrical outlet.
2. Remove the key from the key switch.
3. Make certain that the manual freewheel lever is in the drive position.
4. Plug the charger power cord into the charger port on your PMV.
5. Plug the off-board charger into a standard electrical outlet and turn the charger on.

NOTE: We recommend that you charge the batteries for 8 to 14 hours.

6. When the batteries are fully charged, unplug the charger power cord from the electrical outlet and then from the charger port.

NOTE: There is a charger inhibit function on your PMV. The PMV will not run and the battery condition meter will not operate while the batteries are charging.

V. BATTERIES AND CHARGING

FREQUENTLY ASKED QUESTIONS

How does the charger work?

When your PMV's battery voltage is low, the charger works harder, sending more electrical current to the batteries to bring up their charge. As the batteries approach a full charge, the charger sends less and less electrical current. When the batteries are fully charged, the current sent from the charger is at nearly zero amperage. Therefore, when the charger is plugged in, it maintains the charge on your PMV's batteries, but does not overcharge them. We do not recommend that you charge your PMV's batteries for more than 24 consecutive hours.

What if my PMV's batteries won't charge?

- Ensure the red (+) and black or blue (-) battery cables are connected properly to the battery terminals.
- Ensure both ends of the charger power cord are inserted fully.

Can I use a different charger?

For the safest, most efficient, and balanced charging of your PMV's batteries, we prefer and highly recommend simultaneous charging of both batteries with the off-board battery charger supplied with your PMV.

How often must I charge the batteries?

Two major factors must be considered when deciding how often to charge your PMV's batteries:

- All day PMV use on a daily basis.
- Infrequent or sporadic PMV use.

With these considerations in mind, you can determine how often and for how long you should charge your PMV's batteries. We designed the charger so that it will not overcharge your PMV's batteries. However, you may encounter some problems if you do not charge your batteries often enough and if you do not charge them on a regular basis. Following the guidelines below will provide safe and reliable battery operation and charging.

- If you use your PMV daily, charge its batteries as soon as you finish using it for the day. Your PMV will be ready each morning. We recommend that you charge your PMV's batteries for 8 to 14 hours after daily use.
- If you use your PMV once a week or less, charge its batteries at least once a week for 12 to 14 hours at a time.
- Keep your PMV's batteries fully charged.
- Avoid deeply discharging your PMV's batteries.

How can I ensure maximum battery life?

Fully charged deep-cycle batteries provide reliable performance and extended battery life. Keep your PMV's batteries fully charged whenever possible. Batteries that are regularly and deeply discharged, infrequently charged, or stored without a full charge may be permanently damaged, causing unreliable performance and limited service life.

How can I get maximum range or distance per charge?

Rarely will you have ideal driving conditions—smooth, flat, hard driving surfaces with no wind or curves. Often, you will face hills, pavement cracks, uneven and loosely packed surfaces, curves, and wind, all of which affect the distance or running time per battery charge. Below are a few suggestions for obtaining the maximum range per battery charge.

- Always fully charge your PMV's batteries prior to daily use.
- Maintain **50 psi** in each tire.
- Plan your route ahead to avoid as many hills, cracked, broken, or soft surfaces as possible.

V. BATTERIES AND CHARGING

- Limit your baggage weight to essential items.
- Try to maintain an even speed while your PMV is in motion.
- Avoid stop-and-go driving.

What type and size of battery should I use?

We recommend deep-cycle batteries that are sealed and maintenance free. Both AGM and Gel-Cell are deep-cycle batteries that are similar in performance. Do not use wet-cell batteries, which have removable caps. Refer to the specifications table for information.

NOTE: Sealed batteries are not serviceable. Do not remove the caps.

To change a battery in your PMV:



WARNING! Corrosive chemicals are contained in batteries. Use only AGM or Gel-Cell batteries to reduce the risk of leakage or explosive conditions.

WARNING! Battery posts, terminals, and related accessories contain lead and lead compounds. Wash hands after handling.

1. Remove the key from the key switch.
2. Remove the seat and rear shroud. See VII. "Comfort Adjustments."
3. Disconnect the battery tie-down strap. See figure 12.
4. Pull back the terminal boot and disconnect the battery cables from the battery terminals. See figure 13.
5. Remove the old battery.
6. Place a new battery in the battery well.
7. Reconnect the **red** positive (+) battery cable to the positive (+) battery terminal. See figure 14.
8. Reconnect the **black or blue** negative (-) battery cable to the negative (-) battery terminal.

NOTE: Ensure both battery terminals are covered with the terminal boots. See figure 12.

10. Reconnect the battery tie-down strap.
11. Reinstall the rear shroud and seat.

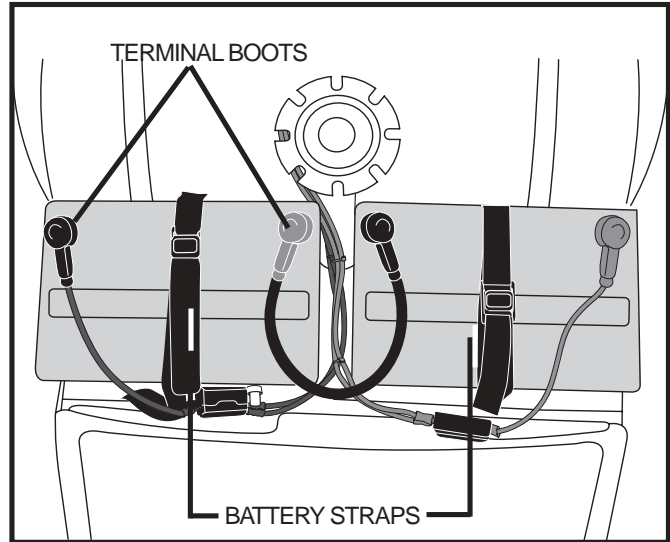


Figure 12. Battery Straps

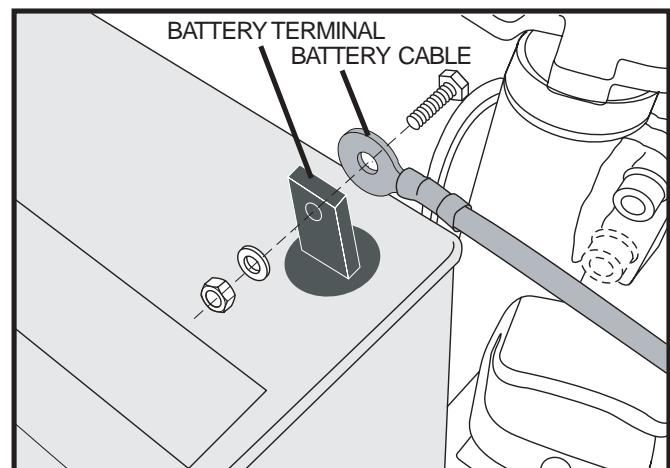


Figure 13. Battery Cable Removal From The Terminal

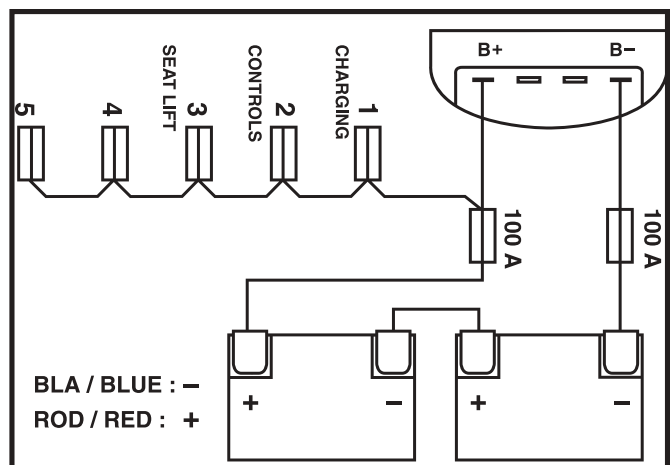


Figure 14. Battery Cable Orientation

V. BATTERIES AND CHARGING

NOTE: *If you encounter a damaged or cracked battery, immediately enclose it in a plastic bag and call your authorized Pride Provider for instructions on disposal. Your authorized Pride Provider will also have the necessary information on battery recycling, which is our recommended course of action.*

Why do my new batteries seem weak?

Deep-cycle batteries employ a different chemical technology than that used in car batteries, nickel-cadmium batteries (nicads), and other common battery types. Deep-cycle batteries are specifically designed to provide power, drain down their charge, and then accept a relatively quick recharge.

We work closely with our battery manufacturer to provide batteries that best suit your PMV's specific electrical demands. Batteries are shipped fully charged to our customers. During shipping, the batteries may encounter temperature extremes that can influence their initial performance. Heat diminishes the charge on the battery; cold slows the available power and extends the time needed to recharge the battery.

It may take a few days for the temperature of your PMV's batteries to stabilize and adjust to their new room or ambient temperature.

More importantly, it takes a few charging cycles (partial draining followed by full recharging) to establish the critical chemical balance that is essential to a deep-cycle battery's peak performance and long life.

Follow these steps to properly break in your PMV's new batteries for maximum efficiency and service life.

1. Fully recharge any new battery prior to its initial use. This charging cycle brings the battery up to about 88% of its peak performance level.
2. Operate your new PMV in familiar and safe areas. Drive slowly at first, and do not travel too far from your home or familiar surroundings until you have become accustomed to your PMV's controls and have properly broken in your PMV's batteries.
3. Fully recharge the batteries. They should be at over 90% of their peak performance level.
4. Operate your PMV again.
5. Fully recharge the batteries again.
6. After four or five charging cycles, the batteries are able to receive a charge of 100% of their peak performance level and are able to last for an extended period of time.

What about public transportation?

If you intend to use public transportation with your PMV, you must contact the transportation provider in advance to determine their specific requirements.

VI. OPERATION

BEFORE GETTING ON YOUR PMV

- Have you fully charged the batteries? See V. “Batteries and Charging.”
- Is the manual freewheel lever in the drive (up) position? Never leave the manual freewheel lever in the down position unless you are manually pushing your PMV.

GETTING ONTO YOUR PMV

1. Make certain that the key is removed from the key switch.



WARNING! Never attempt to get onto or off of your PMV without first removing the key from the key switch. This will prevent the PMV from moving if accidental throttle control lever contact is made.

2. Stand at the side of your PMV.
3. Disengage the seat rotation lever and rotate the seat until it is facing you.
4. Make certain that the seat is locked securely in position.
5. Position yourself comfortably and securely in the seat.
6. Disengage the seat rotation lever and rotate the seat until you are facing forward.
7. Make certain that the seat is locked securely in position.
8. Make certain that your feet are safely on the floorboard.

PRE-RIDE ADJUSTMENTS AND CHECKS

- Are you positioned comfortably in the seat? See “Getting Onto Your PMV” above.
- Is the seat at the proper height? See VII. “Comfort Adjustments.”
- Is the seat locked securely in place?
- Is the tiller at a comfortable setting and locked securely in place? See VII. “Comfort Adjustments.”
- Is the key fully inserted into the key switch and turned clockwise to the “on” position?
- Does the PMV’s horn work properly?
- Is your proposed path clear of people, pets, and obstacles?
- Have you planned your route to avoid adverse terrain and as many inclines as possible?

OPERATING YOUR PMV



WARNING! The following can adversely affect steering and stability while operating your PMV:

- Holding onto or attaching a leash to walk your pet
- Carrying passengers (including pets)
- Hanging any article from the tiller
- Towing or being pushed by another motorised vehicle

Such practices could cause loss of control and/or tipping resulting in personal injury and/or damage to your PMV.

Keep both hands on the tiller and your feet on the floorboard at all times while operating your PMV. This driving position gives you the most control over your vehicle.

- Set the speed adjustment dial to your desired speed.
- Engage the throttle control lever to move forward or in reverse.
- The electromechanical disc park brake automatically disengages and the PMV accelerates smoothly to the speed you preselected with the speed adjustment dial.

VI. OPERATION

- Pull on the left handgrip to steer your PMV to the left.
- Pull on the right handgrip to steer your PMV to the right.
- Move the tiller to the center position to drive straight ahead.
- To stop, slowly release the throttle control lever. After you release the throttle control lever, gently squeeze the handbrake to come to a complete stop. The electronic brakes will automatically engage when your PMV comes to a stop.

NOTE: *Your PMV's reverse speed is slower than that of the forward speed you preset with the speed adjustment dial.*

GETTING OFF OF YOUR PMV

1. Bring your PMV to a complete stop.
2. **Remove the key from the key switch.**
3. Disengage the seat rotation lever and rotate the seat until you are facing toward the side of your PMV.
4. Make certain that the seat is locked securely in position.
5. Carefully and safely get out of the seat and stand to the side of your PMV.
6. You can leave the seat facing to the side to facilitate boarding your PMV next time.

POWER DOWN TIMER FEATURE

Your PMV is equipped with an energy saving automatic power down timer feature designed to preserve your PMV's battery life. If you mistakenly leave the key in the key switch and in the "on" position but do not use your PMV for approximately 10 minutes, the PMV's controller shuts down automatically. Although the controller is shut down, power will still be supplied to the PMV's lighting system.

If the power down timer feature takes effect, perform the following steps to resume normal operation.

1. Turn the key to the "off" (0) position.
2. Turn the key back to the "on" (1) position.

VII. COMFORT ADJUSTMENTS



WARNING! Remove the key from the key switch before adjusting the seat or the tiller. Never attempt to adjust the seat or the tiller while the PMV is in motion.

SEAT ROTATION

The seat rotation lever will lock the seat into several positions.

1. Pull back on the seat rotation lever to unlock the seat. See figure 15.
2. Rotate the seat to the desired position.
3. Release the lever to lock the seat into position.

FRONT-TO-BACK SEAT ADJUSTMENT

You can reposition the seat forward or rearward to adjust the distance between the seat and the tiller. See figure 15.

1. Move the seat sliding lever outward and upward.
2. While holding the lever out, slide the seat forward or rearward.
3. Release the seat sliding lever once the seat is in the desired position.

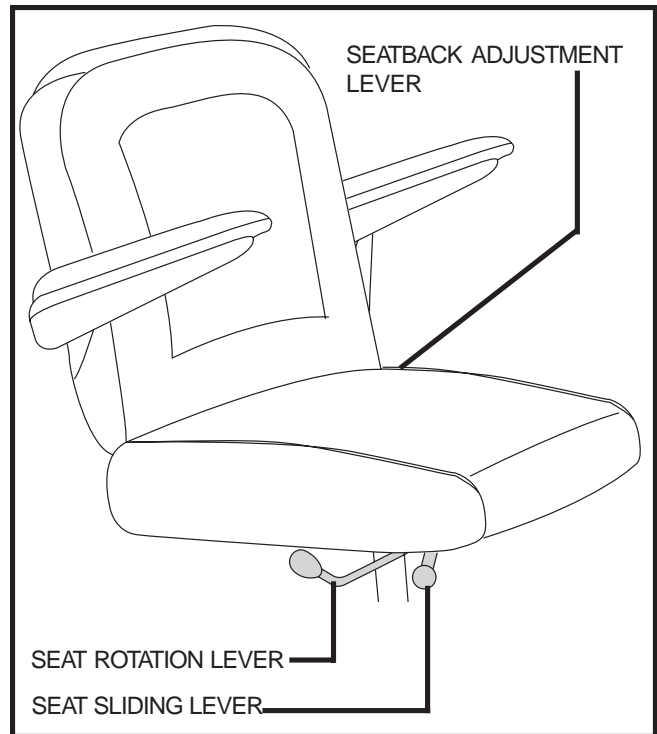


Figure 15. Seat Adjustments

SEATBACK ADJUSTMENT



WARNING! Do not operate your PMV with the seatback in a reclined position.

WARNING! Always keep your back pressed firmly against the seatback while adjusting the angle.

To adjust the reclining seat, perform these steps. See figure 15.

1. With your back pressed up against the seatback, lift up on the seatback adjustment lever and lean forward or rearward to adjust the seatback angle.
2. Release the seatback adjustment lever once the seat is in a comfortable riding position.

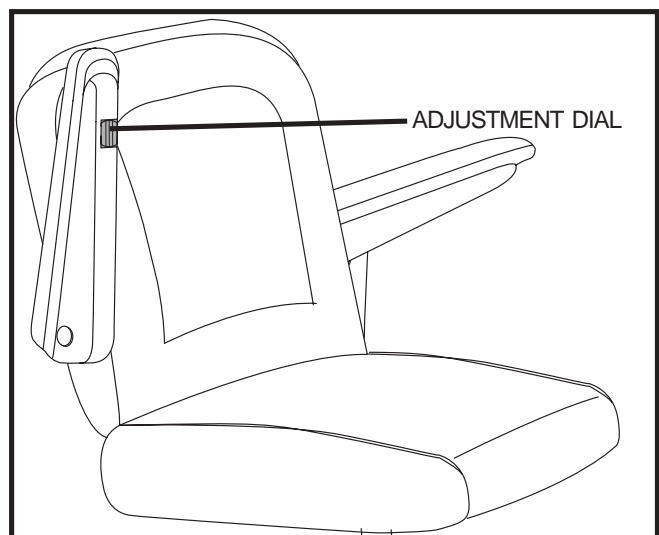


Figure 15A. Armrest Angle Adjustment

ARMREST ANGLE ADJUSTMENT

The armrest angle can be adjusted upward or downward by turning the adjustment dial. See figure 15A.

NOTE: The armrests also pivot upward to make getting on and off of your PMV easier.

VII. COMFORT ADJUSTMENTS

SEAT HEIGHT ADJUSTMENT

You can change the seat height by adjusting the upper seat post up or down.

1. Turn the PMV off and place the manual freewheel lever in drive mode.
2. Lift the seat up and off of the seat post.
3. Remove the shroud release screw. See figure 16.
4. Pull the shroud towards the tiller then lift up to remove it. See figure 17.
5. Loosen the seat height adjustment bolts. See figure 18.
6. Slide the upper seat post up or down in the lower seat post.



WARNING! Do not extend the upper seat post from the lower seat post farther than the HORIZONTAL groove that is marked on the upper seat post.

7. Tighten the seat height adjustment bolts.
8. Reinstall the shroud and tighten the shroud release screw.
9. Reinstall the seat.

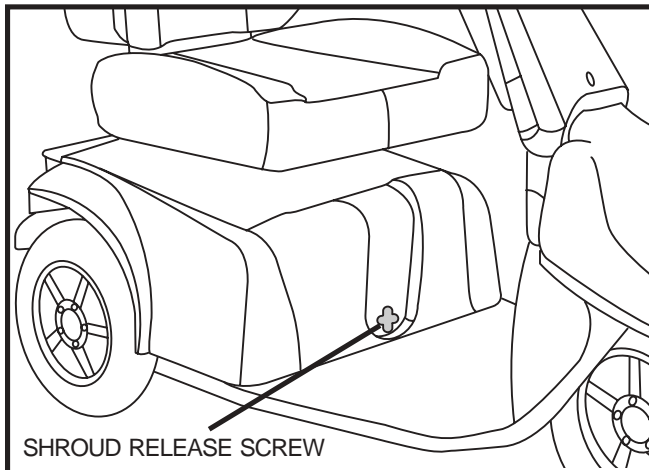


Figure 16. Shroud Release Screw

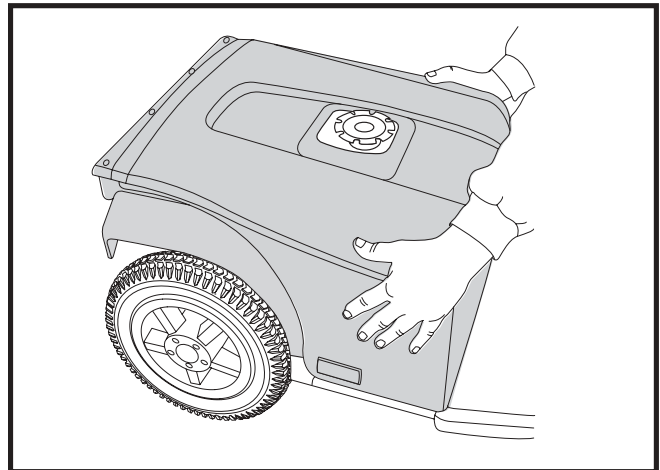


Figure 17. Rear Shroud Removal

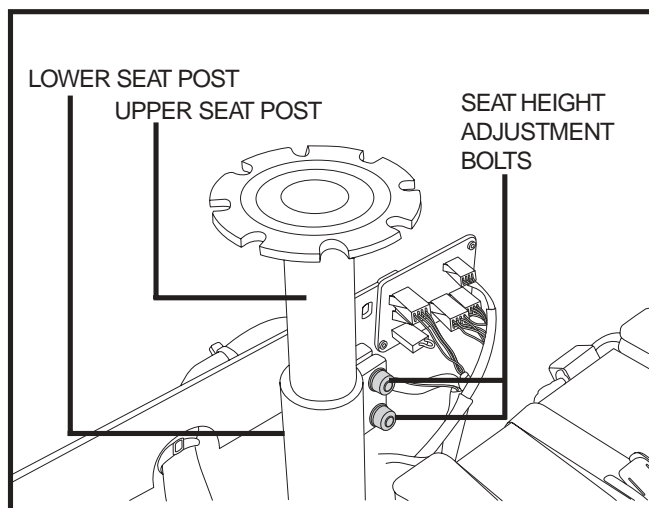


Figure 18. Seat Height Adjustment

VII. COMFORT ADJUSTMENTS

TILLER HEIGHT ADJUSTMENT

The height of the tiller can be adjusted about 4-inches up or down to allow for a more comfortable driving position.

1. Remove the rubber plug from the front of the tiller. See figure 19.
2. Insert a 4 mm hex key into the opening and loosen the hex head screw.
3. Adjust the tiller up or down by pulling or pushing the hand grips.
4. Tighten the hex head screw and reinstall the rubber plug.

TILLER ANGLE ADJUSTMENT

Your PMV is equipped with a pivoting tiller that allows adjustment to several positions from its lowest position to the farthest forward stop.

1. Pull down on the tiller adjustment lever. See figure 20.
2. Move the tiller to a comfortable position.
3. Release the tiller adjustment lever to secure the tiller in position.

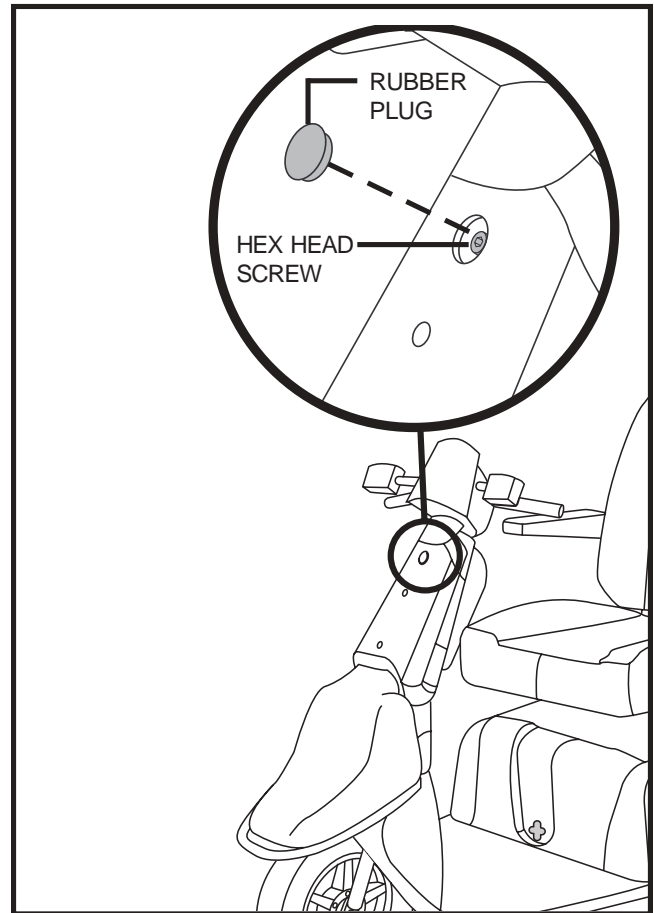


Figure 19. Tiller Height Adjustment

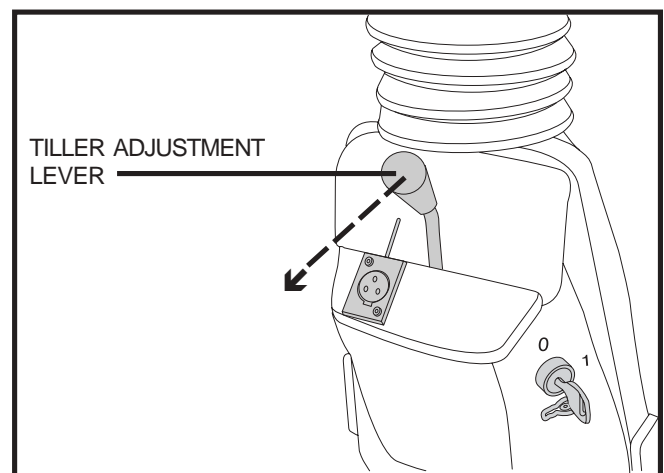


Figure 20. Tiller Angle Adjustment

VIII. BASIC TROUBLESHOOTING

Any electromechanical device occasionally requires some troubleshooting. However, most of the problems that may arise can usually be solved with a bit of thought and common sense. Many of these problems occur because the batteries are not fully charged or because the batteries are worn down and can no longer hold a charge.

DIAGNOSTIC FLASH CODES

The diagnostic flash codes for your PMV are designed to help you perform basic troubleshooting quickly and easily. A diagnostic flash code will flash from the status LED in the event one of the conditions listed below develops.

NOTE: *Your PMV will not run unless the flash code condition is resolved and the PMV has been turned off, then turned back on.*

FLASH CODE	CONDITION	SOLUTION
(1) ■	Battery voltage is too low to operate the PMV or the charger is operating.	Charge batteries or unplug the charger power lead from the electrical outlet.
(2) ■■	Motor disconnected.	Check all connections to the motor.
(3) ■■■	Motor wiring fault.	Call your authorized Pride Provider for assistance.
(6) ■■■■■■	The PMV is operating with the charger attached.	Unplug the charger power lead from the charger port.
(7) ■■■■■■■■	Throttle potentiometer fault.	Call your authorized Pride Provider for assistance.
(8) ■■■■■■■■■■	Internal controller fault.	Call your authorized Pride Provider for assistance.
(9) ■■■■■■■■■■	Brake fault—your PMV was left in freewheel mode.	Turn the PMV key to the “off” position, then push the manual freewheel lever to the (down) drive position, and restart your PMV.
(10) ■■■■■■■■■■	High battery voltage. The batteries have been overcharged and the PMV won't run.	Leave the PMV turned on to drain the batteries to a sufficient level. If the batteries continue to overcharge, call your authorized Pride Provider for assistance.

What if all the systems on my PMV seem to be “dead”?

- Make certain that the key is in the “on” position.
- Ensure the freewheel lever is in the drive position.
- Check that the batteries are fully charged.
- Make certain that all battery terminal connections are secured.
- Be sure the power down timer feature hasn't been activated. See VI. “Operation.”
- Check all fuses.

Fuse Replacement

In the event a fuse should cease to work:

- Remove the fuse by pulling it out of its slot.
- Examine the fuse to be sure it is blown. See figures 21 and 21A.
- Insert a new fuse of the proper rating.

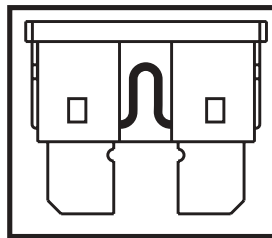


Figure 21. Working Fuse

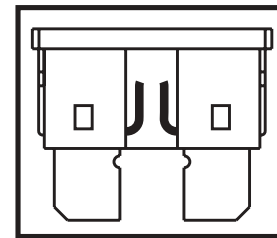


Figure 21A. Blown Fuse (Replace)



WARNING! The replacement fuse must exactly match the rating of the new fuse. Failure to use properly rated fuses may cause damage to the electrical system and may result in personal injury.

VIII. BASIC TROUBLESHOOTING

What if my PMV does not move when I engage the throttle control lever?

- When the manual freewheel lever is pushed down, the brakes are disengaged and all power to the motor/transaxle assembly is cut.
- Pull up on the manual freewheel lever, turn the PMV off, and then turn the PMV on to return to normal PMV operation.

What if the battery condition meter dips way down and the motor surges or hesitates when I engage my PMV's throttle control lever?

- Fully charge your PMV's batteries. See V. "Batteries and Charging."
- Have your authorized Pride Provider load test each battery.

If you experience any problems with your PMV that you are not able to solve, immediately contact your authorized Pride Provider for information, maintenance, and service.

IX. CARE AND MAINTENANCE

Your PMV requires a minimal amount of care and maintenance. If you do not feel confident in your ability to perform the maintenance listed below, you may schedule inspection and maintenance at your authorized Pride Provider. The following areas require periodic inspection and/or care and maintenance.

TIRE PRESSURE

- If equipped with pneumatic tires, always maintain a proper **50 psi** tire pressure.



WARNING! It is important that 50 psi tire pressure be maintained in pneumatic tires at all times. Do not underinflate or overinflate your tires. Low pressure may result in loss of control, and overinflated tires may burst. Failure to maintain 50 psi tire pressure in pneumatic tires at all times may result in tire and/or wheel failure, causing serious personal injury and/or damage to your PMV.

- Regularly inspect your PMV's tires for signs of wear.

EXTERIOR SURFACES

Bumpers, tires, trim, and the tiller boot can benefit from an occasional application of a rubber or vinyl conditioner.



WARNING! Do not use a rubber or vinyl conditioner on the PMV's vinyl seat or tire tread. They will become dangerously slippery and result in personal injury and/or damage to your PMV.

BATTERY TERMINAL CONNECTIONS

- Make certain that the terminal connections remain tight and uncorroded.
- The batteries must sit flat in the battery wells.
- The battery terminals should face the rear of the PMV.

WIRING HARNESES

- Regularly check all wiring connections.
- Regularly check all wiring insulation, including the charger power cord, for wear or damage.
- Have your authorized Pride Provider repair or replace any damaged connector, connection, or insulation that you find before using your PMV again.

ABS PLASTIC SHROUDS

- The front tiller shroud, front shroud, and the rear shroud are formed from durable ABS plastic and are coated with an advanced formula urethane paint.
- A light application of car wax will help the shrouds retain their high gloss.

AXLE BEARINGS AND THE MOTOR/TRANSAXLE ASSEMBLY

These items are all prelubricated, sealed, and require no subsequent lubrication.

MOTOR BRUSHES

The motor brushes are housed inside of the motor transaxle/assembly. They should be inspected periodically for wear by your authorized Pride Provider.

HANDBRAKE

The handbrake lever may require periodic adjustment to maintain proper operation. Contact your authorized Pride Provider for more information.

IX. CARE AND MAINTENANCE

CONSOLE, CHARGER, AND REAR ELECTRONICS

- Keep these areas free of moisture.
- Allow these areas to dry thoroughly if they have been exposed to moisture before operating your PMV again.

LIGHT BULB REPLACEMENT

The PMV's light bulbs are easily replaceable. Do not use regular automotive-type 12-volt light bulbs; your PMV is equipped with a 24-volt electrical system. Replacement light bulbs can be purchased from your authorized Pride Provider.

NOTE: Use only 24-volt light bulbs.

- Remove the light cover.
- Gently remove the bulb by pulling it straight out.
- Insert a new bulb of the same wattage.
- Replace the light cover.

NYLON NUT REPLACEMENT

Any nylon insert lock nut removed during the periodic maintenance, assembly or disassembly of the PMV must be replaced with a new nut. Nylon insert lock nuts should not be reused as it may cause damage to the nylon insert, resulting in a less secure fit. Replacement nylon insert lock nuts are available at local hardware stores or through your authorized Pride Provider.

STORING YOUR PMV

If you plan on not using your PMV for an extended period of time, it is best to:

- Fully charge its batteries prior to storage.
- Disconnect the batteries from the PMV.
- Store your PMV in a warm, dry environment.
- Avoid storing your PMV where it will be exposed to temperature extremes.



WARNING! Always protect batteries from freezing temperatures and never charge a frozen battery. This damages the battery and can cause personal injury.

For prolonged storage, you may wish to place several boards under the frame of your PMV to raise it off of the ground. This takes the weight off the tires and reduces the possibility of flat spots developing on the areas of the tires contacting the ground.

IX. CARE AND MAINTENANCE

TIRE/WHEEL REPLACEMENT

If you have pneumatic tires and have a flat, you can replace the tube. Replacement tires, tubes, and wheel assemblies are readily available through your authorized Pride Provider.



WARNING! To avoid possible injury, be sure the PMV's power is off and the PMV is not in freewheel mode before removing a wheel.

WARNING! Completely deflate the tire before attempting repair.

Front Wheel Removal/Replacement (3-wheel PMV)

1. Put blocks under the PMV to elevate it. This will keep the PMV from tipping when removing a wheel.
2. Remove the brake cable. See figure 22.
3. Remove the lower bolt that fastens the brake housing to the left side of the front fork. See figure 23.
4. The wheel can now be removed.
5. Remove the 5 screws that fasten the brake to the rim. See figure 24.
6. If changing a flat, totally deflate the tire before removing the five (5) screws that hold the rim together. See figure 25.
7. Remove and replace the old tube of the pneumatic tire.
8. Reassemble the brake to the rim and secure it with the five (5) screws.
9. Reassemble the rim and secure it together with the five (5) screws.
10. Reinstall the wheel back onto the PMV and tighten the lower bolt. See figure 23.

NOTE: When reinstalling the front wheel, ensure the top screw fits inside the slot on top of the brake housing. See figure 26.

11. Reattach the brake cable. See figure 22.
12. Inflate to 50 psi.

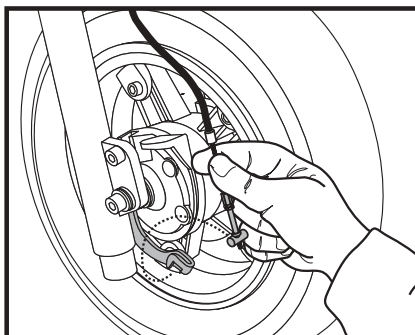


Figure 22. Brake Cable

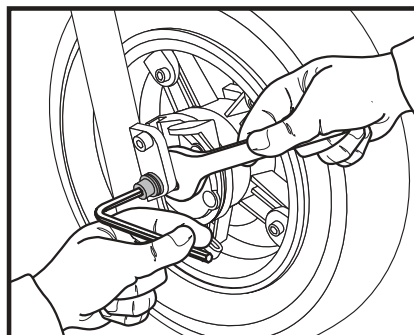


Figure 23. Front Wheel Securement

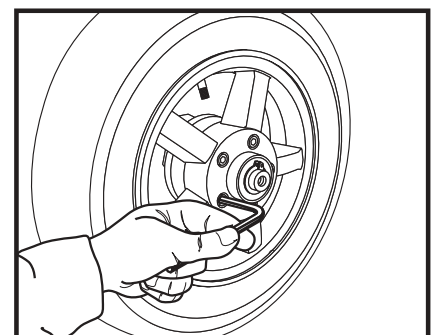


Figure 24. Brake Removal



Figure 25. Rim Securement

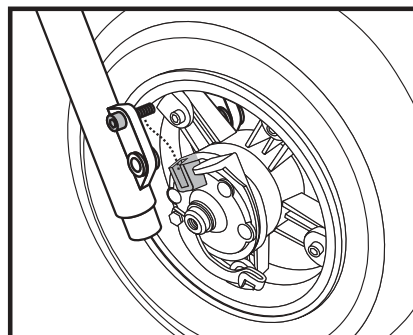


Figure 26. Front Wheel Installation

IX. CARE AND MAINTENANCE

Front (4-wheel) and Rear (3-4 wheel) Wheel Removal/Replacement

1. Put blocks under the PMV to elevate it. This will keep the PMV from tipping when removing a wheel.
2. Remove the five (5) screws that fasten the wheel to the PMV. See figure 27.
3. Remove the wheel from the PMV.
4. If changing a flat, completely deflate the tire before removing the five (5) screws that hold the rim halves together. See figure 28.
5. Remove and replace the old tube of the pneumatic tire.
6. Reassemble the rim and secure it with the five (5) screws.
7. Reinstall the wheel back onto the PMV and secure it with the five (5) screws.
8. Inflate to 50 psi.

NOTE: When remounting the wheel, mount the spring washers (not shown) between the wheel rim and the screws.

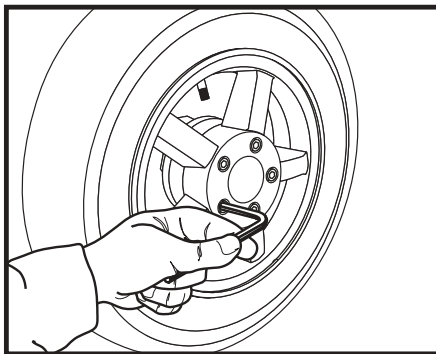


Figure 27. Wheel Removal

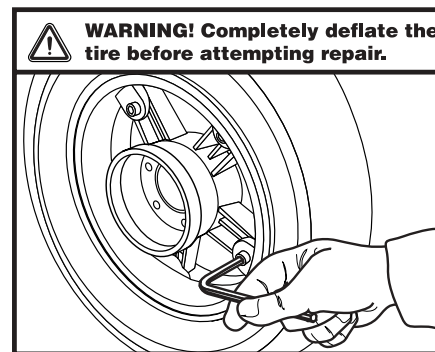


Figure 28. Rim Securement

X . W A R R A N T Y

THREE-YEAR LIMITED WARRANTY

For three (3) years from the date of purchase, Pride will repair or replace at our option to the original purchaser, free of charge, any of the following parts found upon examination by an authorized representative of Pride to be defective in material and/or workmanship:

Structural frame components, including:

- Main Frame
- Fork
- Seat Post
- Tiller Frame

THREE-YEAR PRORATA WARRANTY

Three-year prorata drivetrain warranty, including:

- Transaxle
- Motor Brake (electronic function ONLY)
- Brake

These components will be prorated on the following schedule:

- First year: 100% replacement of parts cost
- Second year: 67% replacement of parts cost
- Third year: 50% replacement of parts cost

NOTE: If there is an increase in the operational noise level in the transaxle, the warranty does not apply. An increase in operational noise level usually occurs due to abusive and excessive strain on the PMV.

ONE-YEAR LIMITED WARRANTY

For one (1) year from the date of purchase, Pride will repair or replace at our option to the original purchaser, free of charge, any of the following parts found upon examination by an authorized representative of Pride to be defective in material and/or workmanship:

- Bearings
- Bushings
- Rubber Components
- Plastic components except body

Also, electronic assemblies including:

- Electronic Controllers
- Chargers
- Harnesses
- Any other electrical subassembly

SIX-MONTH WARRANTY

The battery is covered by a separate six-month warranty, provided by the battery manufacturer. The batteries are not warranted by Pride.

RECONDITIONED UNITS WARRANTY

All reconditioned units are covered by a six-month warranty from Pride effective from the date of purchase.

WARRANTY EXCLUSIONS

This warranty does not extend to those items which may require replacement due to normal wear and tear.

- ABS Plastic shrouds
- Motor brushes
- Upholstery and seating
- Brake Pads
- Tires and tubes
- Fuses/Bulbs

X . W A R R A N T Y

- Circumstances beyond the control of Pride
- Labor, service calls, shipping, and other charges incurred for repair of the product, unless specifically authorized, IN ADVANCE, by Pride Mobility Products Corporation
- Repairs and/or modifications made to any part without specific consent from Pride

Exclusions also include components with damage caused by:

- Contamination
- Abuse, misuse, accident, or negligence
- Battery fluid spillage or leakage
- Commercial use, or use other than normal
- Improper operation, maintenance, or storage

NOTE: Gradual deterioration in performance because the battery has been left in a discharged state, left in cold conditions for an extended period of time, or worn out through heavy use is not covered.

SERVICE CHECKS AND WARRANTY SERVICE

Warranty service must be performed by an authorized Pride Provider. Do not return faulty parts to Pride without prior written authorization. All transportation costs and shipping damage incurred while submitting parts for repair or replacement are the responsibility of the purchaser. Please contact your authorized Pride Provider for information on the current cost associated with a service visit.

There is no other express warranty.

IMPLIED WARRANTIES

Implied warranties, including those of merchantability and fitness for a particular purpose, are limited to one (1) year from the date of original purchase and to the extent permitted by law. Any and all implied warranties are excluded. This is the exclusive remedy. Liabilities for consequential damages under any and all warranties are excluded.

Some states do not allow limitations on how long an implied warranty lasts or do not allow the exclusion of limitation of incidental or consequential damages. So, the above limitation or exclusion may not apply to you.



Pride
Mobility Products Corp.

**182 Susquehanna Ave.
Exeter, PA 18643**

1-800-800-8586

www.pridemobility.com

*** I NFMANU3202 ***

Free Manuals Download Website

<http://myh66.com>

<http://usermanuals.us>

<http://www.somanuals.com>

<http://www.4manuals.cc>

<http://www.manual-lib.com>

<http://www.404manual.com>

<http://www.luxmanual.com>

<http://aubethermostatmanual.com>

Golf course search by state

<http://golfingnear.com>

Email search by domain

<http://emailbydomain.com>

Auto manuals search

<http://auto.somanuals.com>

TV manuals search

<http://tv.somanuals.com>