

Victory

The Ultimate in Style & Performance®



3 & 4 Wheel Scooters

Owner's Manual

Pride
Mobility Products Corp.

Exeter, PA
St. Catharines, ON

1-800-800-8586
www.pridemobility.com

SAFETY GUIDELINES

Read and follow the instructions in this owner's manual before attempting to operate your Scooter for the first time. If you are unable to understand any of this information or require additional assistance for setup, contact your authorized Pride provider.

The following symbols will be used throughout this owner's manual to identify warnings and cautions. It is very important for you to read and understand them completely.



WARNING! Failure to heed the warnings in this owner's manual may result in personal injury.



CAUTION! Failure to heed the cautions in this owner's manual may result in damage to your Scooter.

CONTENTS

I. INTRODUCTION	4
II. SAFETY	6
III. EMI/RFI	9
IV. SPECIFICATIONS	11
V. DESCRIPTION	13
VI. BATTERIES AND CHARGING	18
VII. OPERATION	22
VIII. COMFORT ADJUSTMENTS	24
IX. DISASSEMBLY AND ASSEMBLY	26
X. OPTIONAL ACCESSORIES	28
XI. BASIC TROUBLESHOOTING	29
XII. CARE AND MAINTENANCE	30
XIII. WARRANTY	31



VICTORY 4 WHEEL



VICTORY 3 WHEEL

I. INTRODUCTION

Welcome to Pride Mobility Products Corporation (Pride). Congratulations on the purchase of your new Pride Scooter. Your Scooter design combines the most advanced state-of-the-art components with modern, attractive styling. We are certain that the design features and trouble-free operation will add convenience to your daily living and ensure complete satisfaction.

At Pride, your safety is important to us. **Please read and follow all of the instructions in this manual before you attempt to operate your Scooter for the first time.** These instructions were produced for your benefit. Your understanding of these instructions is essential for the safe operation of your new Pride Scooter.

Pride is not liable for damage to property or personal injury arising out of the unsafe use of a Pride Scooter. Pride is also not liable for any property damage or personal injury arising out of the failure of any person and/or user to follow the instructions and recommendations set forth in this manual or any other instructions or recommendations contained in other Scooter related literature issued by Pride or contained on the Pride Scooter itself.

This owner's manual is compiled from the latest specifications and product information available at the time of publication. We reserve the right to make changes as they become necessary. Any changes to our products may cause slight variations between the illustrations and explanations in this manual and the product you have purchased.

If you experience any problems with your Scooter that you are not able to solve, or if you do not feel capable of safely following any of the instructions and/or recommendations contained in this manual, please contact your authorized Pride provider for assistance.

Once you understand how to operate and take care of your Scooter, we are certain that it will give you years of trouble-free service and enjoyment.

Information Exchange

We want to hear your questions, comments, and suggestions regarding this manual. We would also like to hear about the safety and reliability of your new Pride Scooter, and the service you received from your authorized Pride provider.

Please notify us of any change of address so we can keep you apprised of important information regarding safety, new products, and new options that can increase your ability to use and enjoy your Pride Scooter. Please feel free to write us at the address below:

Pride Mobility Products Corporation
Attn: Technical Service Department
182 Susquehanna Avenue
Exeter, PA 18643-2694

I. INTRODUCTION

Pride Owners Club

As a Pride product owner, you are invited to register your product's warranty and enroll in the Pride Owners Club. You may do so by filling out and returning your enclosed registration card or by visiting Pride's web site at www.pridemobility.com. As a registered member, each time you visit our site you will have access to the most interactive and honest educational venue available today for people with mobility needs, their families, and friends.

From our home page, click on the button that reads "Owners Club" to enter a page dedicated to current and potential Pride product owners. You will gain access to interviews, stories, recreation ideas, daily living tips, product and funding information, and interactive message boards. Message boards invite you to speak with other Pride customers as well as Pride representatives who are available to assist you with any questions or concerns you may have. You will receive a free gift simply for registering with the Pride Owners Club.

My Authorized Pride Provider Is:

Name: _____

Address: _____

Phone Number: _____

Quick Reference Information:

Scooter Model: _____

Serial Number: _____

Purchase Date: _____

NOTE: If you ever lose or misplace your warranty card or this owner's manual, call or write to us and we will be glad to send you a new one immediately.

II. SAFETY

As you begin to use your Victory during your daily activities, you will encounter situations that, at first, may require some practice to negotiate on your Victory Scooter. Simply take your time as you operate your Victory and you will soon be in full and confident control as you maneuver through doorways, on and off of elevators, up and down ramps, and over moderate terrain.

DOORS

- Determine if the door opens toward or away from you.
- Use your hand to turn the knob or push the handle or push-bar.
- Drive your Victory gently and slowly forward to push the door open, or drive your Victory gently and slowly backwards to pull the door open.

ELEVATORS

Modern elevators have a door-edge safety mechanism that, when pushed, reopens the elevator door(s).

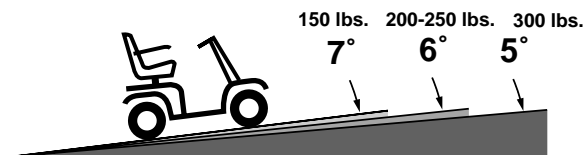
- If you are in the doorway of an elevator when the door(s) begin to close, push on the rubber door edge or allow the rubber door edge to contact the scooter and the door will reopen.
- Use care that pocketbooks, packages, or Victory accessories do not become caught in the elevator doors.

RAMPS AND OTHER INCLINES

More and more buildings have ramps with specified degrees of inclination. These ramps are designed for easy and safe scooter access. Some ramps may have turning switchbacks that require good cornering skills on your Victory.

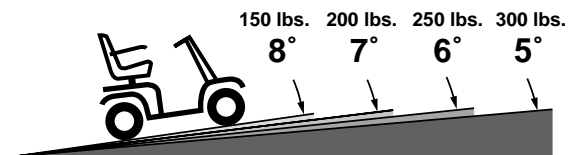
- Take wide swings with your Victory's front wheel(s) around any tight corners. If you do that, the Victory's rear wheels will follow a wide arc. Do not cut the corner short, and do not bump into or get hung up on any railing corners.
- When driving down a ramp, keep the Victory's speed adjustment dial (see V. "Description") set to the tortoise (slowest speed setting) to ensure a safely controlled descent.
- Never drive your Victory across the side of a hill or diagonally up or down a hill, and do not stop, if possible, while driving up or down an incline.
- Avoid sudden stops and starts.

Other inclines may be natural or, if man-made, not designed specifically for scooters. Figures 1 and 2 illustrate your Victory's stability and its ability to climb grades under various weight loads under controlled testing conditions.



VICTORY 3

FIGURE 1. MAXIMUM RECOMMENDED INCLINE ANGLE



VICTORY 4

FIGURE 2. MAXIMUM RECOMMENDED INCLINE ANGLE

II. SAFETY

These tests were conducted with the Victory's seat in the highest position and adjusted backward on the seat base to its farthest rearward position. Use this information as a guideline. Your Victory's ability to travel up inclines is affected by your weight, your scooter's speed, your angle of approach to the incline, and your scooter setup.



WARNING! Do not exceed the incline guidelines or any other specifications presented in this manual.



FIGURE 3. NORMAL DRIVING POSITION

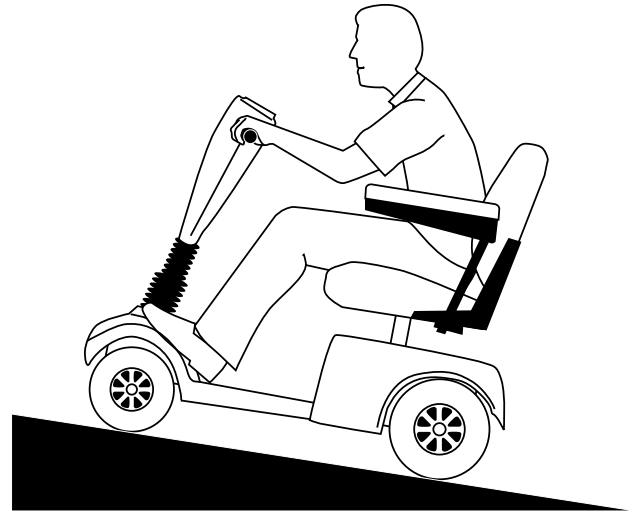


FIGURE 4. INCREASED STABILITY DRIVING POSITION

- When you approach an incline, it is best to lean forward. See figures 3 and 4. This shifts the center of gravity of you and your Victory toward the front of the scooter for improved stability.

DRIVING SURFACES

Your Victory was designed to provide optimum stability under normal driving conditions - dry, level surfaces composed of concrete or asphalt. However, Pride recognizes the fact that there will be times when you will operate your Victory on surfaces other than concrete or asphalt. So we have also designed your Victory to perform admirably on packed soil, grass, and gravel.

- Feel free to use your Victory safely on lawns and in park areas.
- Avoid tall grass that can entangle the running gear.
- Packed soil and gravel, such as driveways or roads, will present no problem for your Victory.
- Avoid loosely packed gravel and sand.
- If you feel unsure about a driving surface, avoid that surface.

SAFETY PRECAUTIONS

- Do not operate your new Victory for the first time without completely reading and understanding this owner's manual.
- Do not carry passengers on your Victory.
- Do not leave the key in the switch when your Victory is unattended.

II. SAFETY

- Make certain that the seat is locked into place and that the key is removed from the key switch before getting on or off of your Victory. Make certain that the seat is in a locked position when you are operating your Victory.
- Reduce your Victory's speed when you are operating it on uneven terrain and soft surfaces.
- Reduce your Victory's speed when you are driving it around a corner.
- Never drive your Victory across the side of a hill or diagonally up or down a hill, and do not stop, if possible, while driving up or down an incline.
- Proceed with extreme caution as you approach the downgrade of a ramp or other incline and when driving near a raised surface or unprotected ledges and drop offs (curbs, porches, stairs, etc.).
- Never remove your Victory's anti-tip wheels or modify the Victory in any way that is not authorized by Pride.
- Use extreme caution when operating your Victory on busy streets and in parking lots or shopping malls and never ride your Victory where you cannot safely and legally walk. Consult local municipal or state agencies with regard to operating your Victory on public roadways.
- Do not operate your Victory while you are under the influence of alcohol.
- Check with your physician if you are taking any medications that may affect your ability to operate your Victory safely.
- Keep your hands on the tiller and your feet on the floorboard when you are operating your Victory.
- Make certain that the tires are properly inflated (30 psi).
- Never use your Victory Scooter as a seat in a moving vehicle.
- Make certain that the Victory's batteries are properly secured when you are transporting your scooter in another vehicle.
- Disconnect your Victory's batteries if you will not be using the scooter for more than 48 hours.
- Battery posts, terminals and related accessories contain lead and lead compounds. Wash hands after handling.



WARNING! Do not expose the electronics to any type of moisture at any time (rain, snow, mist, or washing the scooter). Such exposure can damage the electronics. Never attempt to ride a scooter that has been exposed to moisture until it has dried thoroughly.



WARNING! Do not operate or store the scooter where it may be exposed to inclement weather conditions such as rain, snow, mist, and below-freezing temperatures (such as storage on an outside car/van lift). Attempting to operate the scooter in such conditions can damage the electronics and potentially result in loss of control.



WARNING! Do not operate a scooter in icy or slippery conditions or on salted surfaces (i.e., walks or roads). Such use may result in an accident, personal injury, or adversely affect the performance and/or safety of your scooter.



WARNING! Always protect batteries from freezing temperatures and never charge a frozen battery. This will damage the battery and may cause personal injury. Attempting to charge a battery in freezing conditions does not prevent a battery from freezing.

III. EMI / RFI

EMI/RFI WARNINGS

Laboratory tests performed by the Food and Drug Administration (FDA) have shown that radio waves can cause unintended motion of electric scooters. Radio waves are a form of electromagnetic energy (EM). When electromagnetic energy adversely affects the operation of an electrical device, that adverse effect is called *Electromagnetic Interference (EMI) or Radio Frequency Interference (RFI)*.

EMI/RFI FREQUENTLY ASKED QUESTIONS (FAQS)

The following FAQs summarize what you should know about EMI/RFI. Use this information to minimize the risk that EMI/RFI will adversely affect your Victory.

Where do radio waves come from?

Radio waves are emitted from the antennas of cellular phones, mobile two-way radios (such as walkie-talkies and CBs), radio stations, TV stations, amateur radio (HAM) transmitters, wireless computer links, microwave sources, and paging transmitters. Radio waves are a form of EM. Because EM is more intense closer to transmitting antennas (sources of emission), the EM fields from two-way radios are of special concern to electric scooter users.

If EMI/RFI affects my Victory, what kind of motion should I expect?

This is difficult to predict. The answer would depend on a number of factors:

- The strength of the radio waves.
- The construction of your particular Victory.
- The location of your Victory (whether it is on level ground or on an incline).
- Whether or not your Victory is in motion.

The motion of any electric scooter affected by EMI/RFI can be erratic. The scooter may come to a sudden stop or move in an uncontrolled manner. Also, it is possible for EMI/RFI to release the brakes of an electric scooter. Some intense EMI/RFI can even damage the control system components of an electric scooter.

Is there any way to know for certain whether or not radio waves are the cause of any unintended motion of my Victory?

Unfortunately, EMI/RFI may be difficult to recognize, since the signals from radio sources are invisible and may be intermittent. However, the FDA recommends that you report all incidents of unintended motion or unintended brake release of your electric scooter to the scooter's manufacturer and, if possible, determine whether or not there was a radio wave source nearby at the time of the incident.

One precaution you can take against inadvertent motion of your Victory is to make certain that you or someone else is not the cause of the unintended motion.

- Turn off your Victory by removing the key from the key switch when you are getting on or off of your Victory.
- Never leave the key in the key switch of an unattended Victory.

By following these steps, you greatly reduce the risk of you or anyone else inadvertently bumping the throttle control levers and causing the Victory to move unintentionally.

Are all scooters susceptible to EMI/RFI?

Each make and model of electric scooter differs in its ability to resist EMI/RFI. That is, each scooter has a particular level of resistance to EMI/RFI. This resistance is measured in volts per meter (V/m). A higher resistance level offers greater protection against EMI/RFI. In other words, an electric scooter with a high resistance level is less likely to be affected by a strong radio source than is an electric scooter with a low resistance level.

III. EMI / RFI

What is the FDA doing about the problem?

The FDA has written to electric scooter manufacturers and requested that those manufacturers test their new Scooter models to be certain that they provide a reasonable degree of resistance against EMI/RFI. The FDA has stated that all newly-manufactured models of electric scooters should have a resistance level of at least 20 V/m. This resistance level provides a reasonable degree of protection against the common sources of EMI/RFI.

The FDA has also requested or recommended that:

- Electric scooter manufacturers clearly label new products with that product's resistance level or state that the resistance level is not known.
- The labeling or informational material supplied with new electric scooters must explain what the resistance level means and warn users about the possibility of EMI/RFI and how to avoid it.
- Electric scooter manufacturers undertake an educational program to inform electric scooter users and their caregivers about the problems associated with EMI/RFI and about the actions they can take to minimize the risk of EMI/RFI.
- While there is no exact way to tell if your scooter is totally safe, an immunity level of 20 V/m (May 1994) is generally achievable. This product has been tested and passed at an immunity level of 20 V/m. Adding accessories and components or modifying the unit may change the susceptibility to EMI/RFI.

What can I do to find out if my Victory is likely to be affected by EMI/RFI?

If you have had your Victory for some time and have not experienced any unintended motion, it is not likely that you will have a problem in the future. However, it is always possible that EMI problems could arise if you are close to a source of radio waves. Therefore, it is very important for you to be alert to this possibility. The Victory Scooter meets or exceeds a resistance level of at least 20 V/m.

What can I do to reduce the risk of my Victory being affected by EMI/RFI?

Here are some precautions you can take:

- Do not turn on or use hand-held personal communications devices, such as citizens band (CB) radios and cellular phones, while your Victory is turned on.
- Be aware of nearby radio wave transmitters, such as radio or TV stations and hand-held or mobile two-way radios. Try not to operate your Victory too close to those transmitters. For example, if you are on an electric scooter with a resistance level of at least 20 V/m, you should remain at least three feet from a hand-held two-way radio and at least ten feet from a mobile two-way radio.
- Be aware that adding accessories and/or components, or modifying your Victory in any way, may change its EMI/RFI resistance level and may make it more susceptible to interference from radio wave sources.

What should I do if my Victory moves unexpectedly?

If unintended motion or unintended brake release occurs, turn off your Victory (by removing the key) as soon as it is safe to do so.

If my Victory moves unintentionally, where should I report the incident?

Call our headquarters at 1-800-800-8586 to report the incident.

IV. SPECIFICATIONS

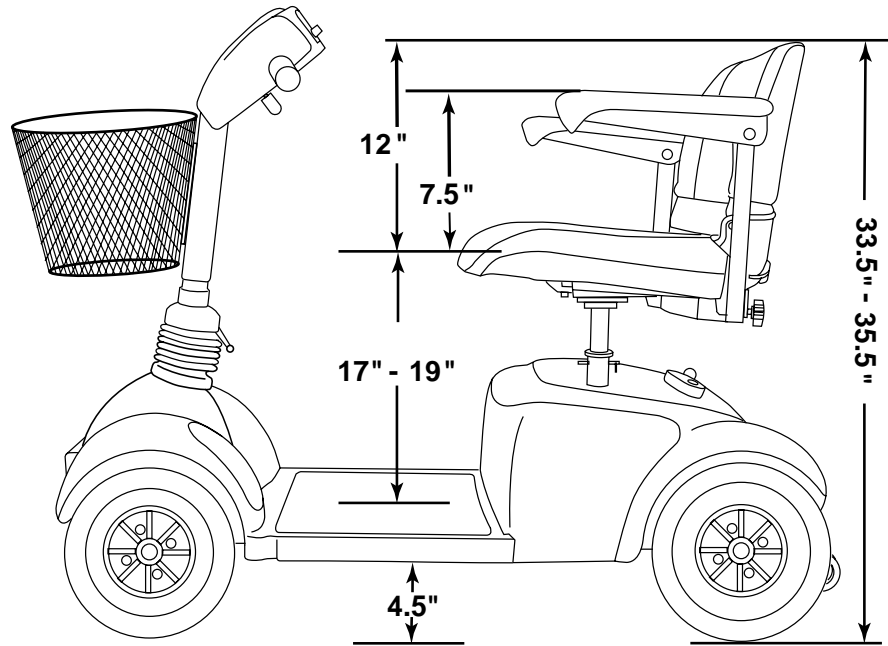
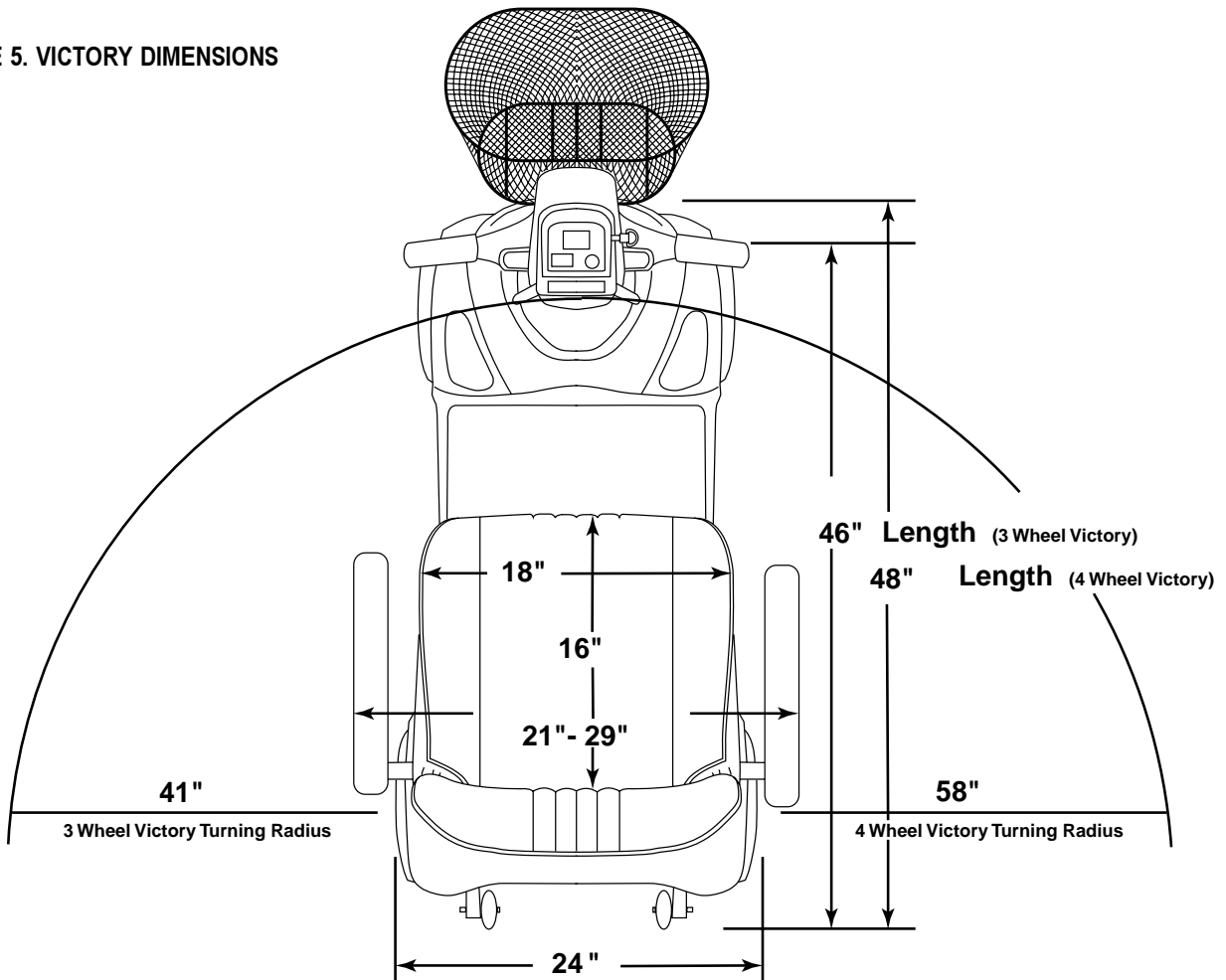


FIGURE 5. VICTORY DIMENSIONS



IV. SPECIFICATIONS

Model Numbers	Victory 3: SC160CRED; SC160VBLU; SC160HGRN; SC160OBLK Victory 4: SC170CRED; SC170VBLU; SC170HGRN; SC170OBLK												
Length	Victory 3: 46in. Victory 4: 48in.												
Width	24in.												
Tires	Type: Pneumatic Front: 3.5in. x 10in. Rear: 3.5in. x 10in.												
Weight Capacity	300 lbs. Maximum												
Battery Type (Batteries not included)	Two 12V, 32 AH, U-1 type, SLA (Sealed Lead Acid)												
Horsepower	1.1 hp (peak)												
Charger	Onboard 3 amp charger												
Speed (Maximum)	Variable up to 5 mph												
Maximum Grade	See figures 1 and 2												
Range	Up to 20-25 miles												
Turning Radius	Victory 3: 46in. Victory 4: 48in.												
Body Colors	Painted: Candy Apple Red, Viper Blue, Hunter Green, Onyx Black												
Seating	Style: Foldable molded plastic; removable seat covers with foam inserts are attached to seat. Dimensions: 18in. width (usable) x 12in. height (usable) x 16in. depth Seat cover material: Gray or Black Vinyl or Fabric Armrests: Gray molded rubber User adjustable seat height from ground: 21.5in., 22.5in., or 23.5in. User adjustable seat height from scooter deck: 17in., 18in., or 19in.												
Included Features	Adjustable seat height and positioning, external freewheel release lever, front basket, external circuit breaker, easily accessible battery charger A/C plug receptacle, recessed headlight, onboard accessory bracket												
Brakes	Electronic regenerative braking and electromechanical disc brake												
Rear Wheel Drive	Transaxle, 24V												
Wheels	Aluminum alloy wheels, color matches shrouds												
Tiller Type	Adjustable												
Freewheel Mechanism	Freewheel release lever located upon upper-right rear portion of rear shroud												
Weight of Scooter	Total weight of Victory 3 wheel (with two 12V 32AH batteries = 152 lbs.) Total weight of Victory 4 wheel (with two 12V 32AH batteries = 158.5 lbs.) Component breakdown: <table style="width: 100%; border: none;"> <tr> <td style="padding-left: 20px;">Front section: Victory 3</td> <td style="text-align: right;">32.5 lbs.</td> </tr> <tr> <td style="padding-left: 40px;">Victory 4</td> <td style="text-align: right;">39.0 lbs.</td> </tr> <tr> <td style="padding-left: 20px;">Rear section (without batteries or rear shroud):</td> <td style="text-align: right;">45.0 lbs.</td> </tr> <tr> <td style="padding-left: 20px;">Rear plastic shroud:</td> <td style="text-align: right;">3.5 lbs.</td> </tr> <tr> <td style="padding-left: 20px;">Seat:</td> <td style="text-align: right;">21.0 lbs.</td> </tr> <tr> <td style="padding-left: 20px;">Batteries: 12V, 32AH</td> <td style="text-align: right;">25.0 lbs.(each)</td> </tr> </table> <p style="text-align: right;">(Note: two batteries are required per scooter)</p>	Front section: Victory 3	32.5 lbs.	Victory 4	39.0 lbs.	Rear section (without batteries or rear shroud):	45.0 lbs.	Rear plastic shroud:	3.5 lbs.	Seat:	21.0 lbs.	Batteries: 12V, 32AH	25.0 lbs.(each)
Front section: Victory 3	32.5 lbs.												
Victory 4	39.0 lbs.												
Rear section (without batteries or rear shroud):	45.0 lbs.												
Rear plastic shroud:	3.5 lbs.												
Seat:	21.0 lbs.												
Batteries: 12V, 32AH	25.0 lbs.(each)												
Front-to-Rear Lockup	Lock pin and dual camlock lever system												
Ground Clearance	4.5in.												
Optional Accessories	Taillight, safety flag, cane/crutch holder, walker holder, rearview mirror, oxygen holder, single and double crutch holder, cane/crutch holder (bracket mount), cane/crutch holder (armrest mount), rear basket, Slime tire sealant												

V. DESCRIPTION

Your Victory is a motorized electric scooter designed to enhance your personal mobility. Your Victory is an indoor/outdoor scooter designed to travel primarily on smooth surfaces such as sidewalks, roads, parking lots, floors, and driveways. For easy transportation or storage, you can disassemble your Victory into seven components. See figure 6.

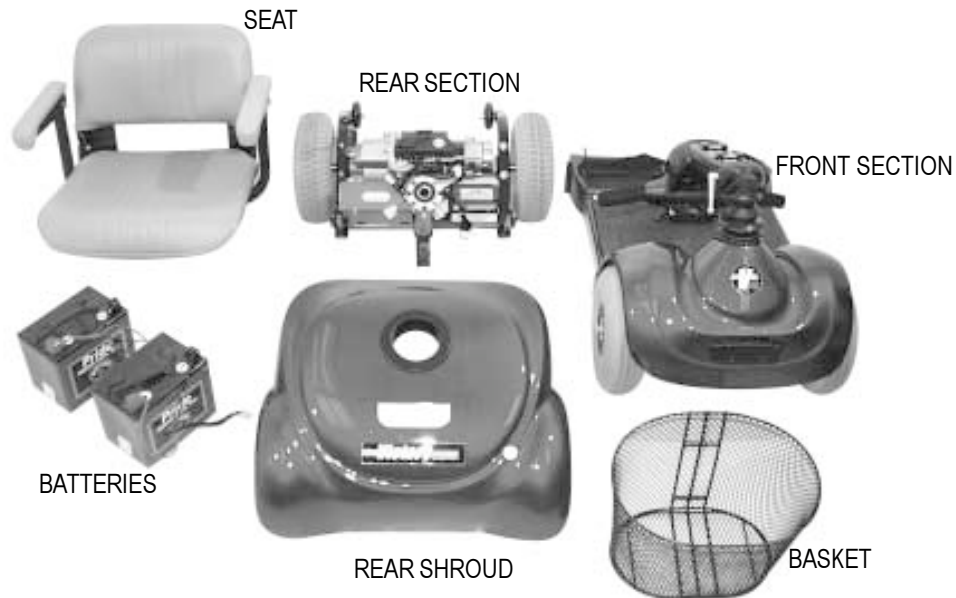


FIGURE 6. SEVEN VICTORY COMPONENTS

CONTROL CONSOLE ASSEMBLY

The control console assembly houses all the controls you need to drive your Victory, including the key switch, the speed adjustment dial, the throttle control lever, the battery condition meter, the horn button, and the light switch. See figure 7.

Do not expose the control console assembly to moisture. In the event that the console does become exposed to moisture, do not attempt to operate your Victory until the control console assembly has thoroughly dried.

Key Switch

- Fully insert the key into the key switch to power up (turn on) your Victory.
- Pull the key out to power down (turn off) your Victory.



WARNING! If the key is removed from the key switch while your Victory is in motion, the electronic brakes will engage and your Victory will come to an abrupt stop!

Speed Adjustment Dial

This adjustment dial allows you to preselect and limit your Victory's top speed.

- The image of the tortoise represents the slowest speed setting.
- The image of the hare represents the fastest speed setting.

V. DESCRIPTION



FIGURE 7. CONTROL CONSOLE ASSEMBLY

Throttle Control Lever

This lever allows you to control the forward speed and the reverse speed of your Victory up to the maximum speed preset at the speed adjustment dial.

- Place your right hand on the right handgrip and your left hand on the left handgrip.
- Use your right thumb to push the right side of the lever to disengage your Victory's brake and move forward.
- Release the lever and allow your Victory to come to a complete stop before pushing the left side of the lever to move in reverse.
- When the throttle is completely released, it automatically returns to the center "stop" position and engages your Victory's brake.

Battery Condition Meter

Whenever you have the key fully inserted, this meter gives an approximate reading of your Victory's battery voltage.

Horn Button

- The key must be fully inserted into the key switch for the horn to be operational.
- This button activates a warning horn.
- Do not hesitate to use the warning horn when you feel its use will prevent accident or injury.

Light Switch

This is a rocker switch that controls your Victory's headlight system.

- Push up to turn the lights on.
- Push down to turn the lights off.

V. DESCRIPTION

REAR SECTION

The onboard battery charger, the charger power cord receptacle, the battery charger fuse, the batteries, the electronic controller module, the main circuit breaker (reset button), the manual freewheel lever, and the motor/transaxle assembly are located on the rear section of your Victory. See figure 8. Refer to IX. "Disassembly and Assembly" for instructions on removing the rear shroud.

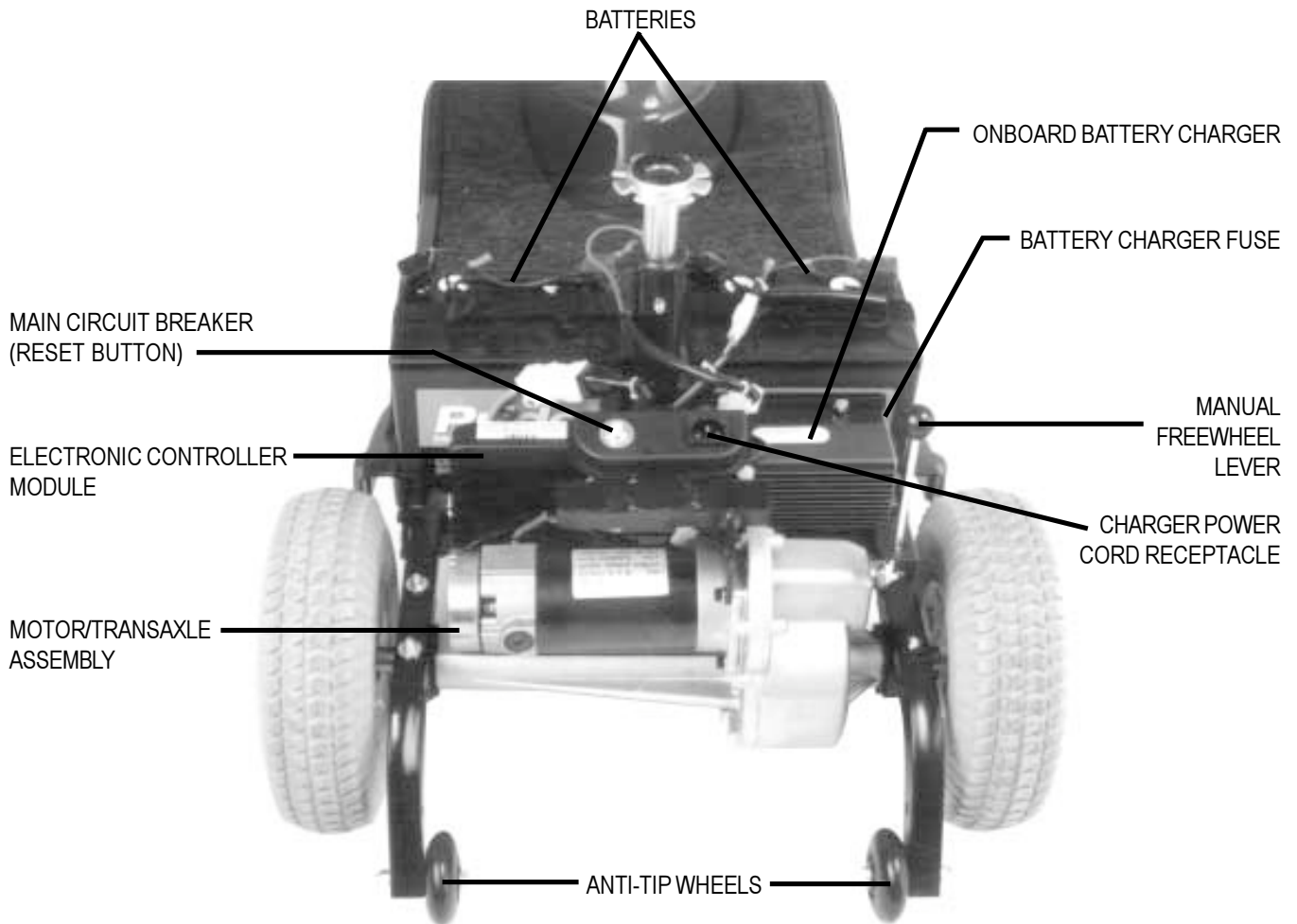


FIGURE 8. REAR SECTION

Onboard Battery Charger

The onboard battery charger converts household current (AC) to direct current (DC) and charges the batteries of your Victory. See VI. "Batteries and Charging."

- The charger is located behind the batteries and at the forward right corner of the rear section.
- The charger is a gray-colored box with cooling fins on the exterior of its case.
- The charger power cord plugs into your Victory's battery charger by means of a receptacle located on the rear section of your Victory, near the manual freewheel lever and the main circuit breaker reset button. See figure 8.

V. DESCRIPTION

Batteries

The batteries store the electrical energy that powers your Victory. See VI. “Batteries and Charging.”

Electronic Controller Module

The electronic controller module is located behind the batteries and at the forward left corner of the Victory’s rear section. This assembly receives electrical signals from the console controls and sends power to the motor, the brakes, the headlight, and the optional lighting system.

Main Circuit Breaker

When the voltage in your Victory’s batteries becomes low or your Victory is heavily strained because of excessive loads or steep inclines, the main circuit breaker may trip to protect your Victory’s motor and electronics from damage.

- The main circuit breaker is mounted on the rear section of the Victory. See figure 8.
- The main circuit breaker reset button pops out when the breaker trips.
- When the breaker trips, the entire electrical system of your Victory is shut down.
- Allow a minute or so for your Victory’s electronics to “rest.”
- Push in the reset button to reset the breaker.
- If the breaker trips frequently, you may need to charge your batteries more often. You may also need to have your Pride provider perform a load test on your Victory’s batteries.
- If the main circuit breaker trips repeatedly, see your authorized Pride provider for service.

Battery Charger Fuse

The fuse has been incorporated into your charger to protect it from damage in the event of an electrical problem.



CAUTION! The replacement fuse must match the rating of the original fuse exactly. If you install a fuse with an incorrect rating, you may damage the charger. Contact your local Pride provider for fuse rating information.

If your charger fuse repeatedly blows, try plugging your Victory’s power charger cord into an outlet on a different circuit.

- The fuse is located under a cap on the outside of the battery charger.
- The cap unscrews to allow access to the fuse.
- Unscrew the cap and replace the fuse if it has blown.

V. DESCRIPTION

Manual Freewheel Lever

Whenever you need or want to push your Victory for short distances, you can put it in manual freewheel mode.



WARNING! Before placing your Victory into or taking it out of freewheel mode, make certain that the key is removed from the key switch. Even though the motor of your Victory is disengaged from the drive system when your scooter is put in manual freewheel mode, the motor can still run if the throttle lever is pushed. Never sit on a scooter when it is in freewheel mode. Never put a scooter in freewheel mode on any incline.

- The manual freewheel lever is located on the end of the motor/transaxle assembly at the right rear of the Victory. See figure 8.
- Pull up on the manual freewheel lever to disable the drive system and the brake system.
- You will then be able to push your Victory.
- Push down on the manual freewheel lever to reengage the drive system and the brake system and to take your Victory out of freewheel mode.

Motor/Transaxle Assembly

The motor/transaxle assembly consists of a geared transmission and differential. This one piece, direct drive, fully sealed assembly provides quiet operation with maximum power and long life. See figure 8.

Anti-Tip Wheels

The anti-tip wheels are an integral and important safety feature of your Victory. Do not, under any circumstances, remove the anti-tip wheels from your Victory. See figure 8.

VI. BATTERIES AND CHARGING

Your Victory uses two long-lasting, 12-volt, deep-cycle batteries that are sealed and maintenance free. They are recharged by an onboard 3-amp charging system designed for ease of use and convenience. See figure 8.

- Charge your Victory's batteries prior to using it for the first time.
- Keep your batteries fully charged to keep your Victory running trouble free.

FOLLOW THESE EASY STEPS TO CHARGE YOUR BATTERIES SAFELY:

1. Position your Victory close to a standard wall outlet.
2. Remove the key from the key switch.
3. Make certain that the freewheel lever is in the down (drive) position.
4. Plug the charger power cord into the charger power cord receptacle at the rear of your Victory.
5. Extend the charger power cord and plug it into the wall outlet.
6. We recommend that you charge your Victory's batteries for 8 to 14 hours.
7. You can, if you wish, periodically check the battery condition meter by inserting the key in the key switch, examining the battery condition meter, and then removing the key. See figure 7. As the batteries charge, the battery condition meter approaches the 100% reading.
8. When the batteries are fully charged, unplug the charger power cord from the wall outlet and then from the charger power cord receptacle at the rear of your Victory.
9. Place the charger power cord in a safe place for future use.

BATTERIES AND CHARGING-FREQUENTLY ASKED QUESTIONS (FAQS)

How does the charger work?

When your Victory's battery voltage is low, the charger works extra and sends more electrical current to the batteries to bring up their charge. As the voltage of the batteries approaches a full charge, the charger works less to complete the charging cycle by sending less and less electrical current to the batteries. When the batteries are fully charged, the current being sent to them from the charger is at nearly zero amperage. Therefore, when the charger is plugged in, it maintains the charge on your Victory's batteries, but it does not overcharge them. We do not recommend that you charge your Victory's batteries for more than 24 consecutive hours.

Can I use a different charger?

For the safest, most efficient, and balanced charging of your Victory's batteries, we prefer and highly recommend the simultaneous charging of both batteries by use of the onboard battery charger.

What do the LEDs on the onboard battery charger indicate?

The onboard battery charger is equipped with two LEDs (*Light Emitting Diodes*) that indicate the charging status of your scooter's batteries. The red LED lights up to indicate the battery charging is in progress. The green LED lights up when your scooter's batteries reach a full charge.

How often must I charge the batteries?

Two major factors must be considered when deciding how often to charge your Victory's batteries:

- All day scooter use on a daily basis.
- Infrequent or sporadic scooter use.

VI. BATTERIES AND CHARGING

With these considerations in mind, you can determine just how often and for how long you should charge your Victory's batteries. We designed the onboard charger so that it does not overcharge your scooter's batteries. However, you may encounter some problems if you do not charge your batteries often enough and if you do not charge them on a regular basis. Following the five guidelines below will provide safe and reliable battery operation and charging.

- ✓ If you use your Victory daily, charge its batteries as soon as you finish using it for the day. Your Victory will be ready each morning to give you a "full day" of service. We recommend that you charge your Victory's batteries for 8 to 14 hours after daily use.
- ✓ If you use your Victory once a week or less, charge its batteries at least once a week for 12 to 14 hours at a time.
- ✓ Keep your Victory's batteries fully charged.
- ✓ Avoid deeply discharging your Victory's batteries.
- ✓ Do not charge your Victory's batteries for more than 24 consecutive hours.

How can I get maximum range or distance per charge?

Rarely will you have ideal driving conditions: smooth, flat, hard driving surfaces with no wind or curves. You will often face hills, sidewalk cracks, uneven and loosely packed surfaces, curves, and wind. All of these driving conditions affect the distance or running time per battery charge. Below are a few suggestions for obtaining the maximum range per battery charge.

- Always fully charge your Victory's batteries prior to your daily use.
- Maintain 30 psi (pounds per square inch) in all of your Victory's tires.
- Plan your route ahead to avoid as many hills, cracked, broken, or soft surfaces as possible.
- Limit your baggage weight to essential items.
- Try to maintain an even speed while your Victory is in motion.
- Avoid stop-and-go driving.

What type and size of battery should I use?

We recommend deep-cycle batteries that are sealed and maintenance free. Both Sealed Lead Acid (SLA) and Gel Cell are deep-cycle batteries that offer similar performance in your Victory. Do not use wet-cell batteries, which have removable caps.

NOTE: Do not remove the caps from sealed batteries. Water cannot be added to sealed batteries. Cap removal voids the battery warranty and may cause damage to the batteries and to your Victory.

Use these specifications to reorder deep-cycle batteries:

Type: Deep-cycle (sealed lead-acid or gel cell)
Size: U-1
Voltage: 12 volts each
Amperage: 32 AH (amp hours)

VI. BATTERIES AND CHARGING

To change a battery in your Victory:



WARNING! Battery posts, terminals and related accessories contain lead and lead compounds. Wash hands after handling.

1. Remove the seat and the rear shroud. See IX. "Disassembly and Assembly."
2. Remove the battery tie-down strap.
3. Disconnect the battery cables from the electronic controller.
4. Disconnect the battery cables from the battery terminals.
5. Remove the old battery.
6. Place a new battery in the battery well.
7. Connect the red battery cable to the positive (+) battery terminal.
8. Connect the black battery cable to the negative (-) battery terminal.
9. Reconnect the battery cables to the electronic controller.
10. Fasten the battery tie-down strap.
11. Reinstall the rear shroud and the seat.

Why do my new batteries seem weak?

Deep-cycle batteries employ a different chemical technology than is used in car batteries, nickel-cadmium batteries (nicads), or in other common battery types. Deep-cycle batteries are specifically designed to provide power, drain down their charge, and then accept a relatively quick recharge.

We work closely with our battery manufacturers to provide batteries that best suit your scooter's specific electrical demands. Fresh batteries arrive daily at Pride and are shipped fully charged to our customers. During shipping, the batteries may encounter temperature extremes that may influence their initial performance. Heat diminishes the charge on the battery; cold slows the available power and extends the time needed to recharge the battery.

It may take a few days for the temperature of your Victory's batteries to stabilize and adjust to their new room or ambient temperature.

More importantly, it takes a few charging cycles (a partial drain followed by a full recharge) to establish the critical chemical balance that is essential to a deep-cycle battery's peak performance and long life.

Follow these steps to break in your Victory's new batteries for maximum efficiency and life.

1. Fully recharge any new battery prior to its initial use. This charging cycle brings the battery up to about 88% of its peak performance level.
2. Operate your new Victory in familiar and safe areas. Drive slowly at first, and do not travel too far from your home or familiar surroundings until you have become accustomed to your Victory's controls and have properly broken in your scooter's batteries.
3. Fully recharge the batteries. They should now be at over 90% of their peak performance level.
4. Operate your Victory again.
5. Fully recharge the batteries again.
6. After four or five charging cycles, the batteries are able to receive a charge of 100% of their peak performance level and are able to last for an extended period of time.

VI. BATTERIES AND CHARGING

How can I ensure maximum battery life?

Fully charged deep-cycle batteries provide reliable performance and extended battery life. Keep your Victory's batteries fully charged whenever possible. Batteries that are regularly and deeply discharged, infrequently charged, or stored without a full charge may be permanently damaged, causing unreliable performance and limited life.

How should I store my Victory and its batteries?

If you plan on not using your Victory for an extended period of time, it is best to:

- Fully charge its batteries prior to storage.
- Disconnect the battery harnesses from the electronic controller.
- Store your Victory in a warm, dry environment.
- Avoid storing your Victory where it will be exposed to temperature extremes.



WARNING! If your Victory's batteries do become frozen, do not attempt to charge them. Cold or frozen batteries should be allowed to warm up for several days prior to recharging.

For prolonged storage, you may wish to place several boards under the frame of your Victory to raise the scooter off of the ground. This takes the weight off of the tires and prevents the possibility of flat spots from developing on the areas of the tires in contact with the ground.

What about public transportation?

If you intend to use public transportation while using your scooter, you must contact in advance the transportation provider to determine their specific requirements.

VII. OPERATION

GETTING ON YOUR VICTORY

1. Make certain that the key is removed from the key switch.
2. Stand at the side of your Victory.
3. Pull up on the seat lock lever and rotate the seat until it is facing you.
4. Make certain that the seat is locked securely in position.
5. Position yourself comfortably and securely in the seat.
6. Pull up on the seat lock lever and rotate the seat until you are facing forward.
7. Make certain that the seat is locked securely in position.
8. Make certain that your feet are safely on the floorboard.
9. Follow the checklist below. Familiarize yourself with this checklist, since some of the checks must be performed before you get on your Victory.

PRE-RIDE ADJUSTMENTS AND CHECKS

- ✓ Have you fully charged the batteries? See VI. "Batteries and Charging."
- ✓ Is the manual freewheel lever in the drive (down) position? See V. "Description."
- ✓ Never leave the manual freewheel lever pulled up unless you are manually pushing your Victory.
- ✓ Is your proposed path clear of people, pets, and obstacles?
- ✓ Have you planned your route to avoid adverse terrain and as many inclines as possible?
- ✓ Are you positioned comfortably in the seat? See "Getting On Your Victory," above.
- ✓ Is the seat at the proper height? See VIII. "Comfort Adjustments."
- ✓ Is the seat locked securely in place? See VIII. "Comfort Adjustments."
- ✓ Is the tiller handle at a comfortable setting and locked securely in place? See VIII. "Comfort Adjustments."
- ✓ Is the key fully inserted into the key switch? See V. "Description."
- ✓ Is the speed adjustment dial set to a slower setting? See V. "Description."
- ✓ Are you grasping the handgrips with a thumb resting on each side of the throttle lever? See V. "Description."
- ✓ Does your Victory's horn work properly?

OPERATING YOUR VICTORY

After planning your route:

- Adjust the speed adjustment dial on the console to your desired level of speed.
- Press your thumb against the appropriate side of the throttle lever.
- The electric brake automatically disengages and the Victory accelerates smoothly to the speed preselected at the speed adjustment dial.

WHETHER YOU ARE DRIVING FORWARD OR IN REVERSE

- Pull on the left handgrip to steer your Victory to the left.
- Pull on the right handgrip to steer your Victory to the right.
- Move the tiller to the center position to drive straight ahead.
- Releasing the throttle lever causes your Victory to decelerate and come to a complete stop.
- The electric brake automatically engages when your Victory comes to a stop.

VII. OPERATION

NOTE: The rear wheel drive transaxle gives your Victory maximum traction with minimal steering effort on your part.

GETTING OFF OF YOUR VICTORY

1. Bring your Victory to a complete stop.
2. Make certain that the key is removed from the key switch.
3. Pull up on the seat lock lever and rotate the seat until you are facing toward the side of your Victory.
4. Make certain that the seat is locked securely in position.
5. Carefully and safely get out of the seat and stand to the side of your Victory.
6. You may wish to leave the seat facing to the side to facilitate getting on your Victory the next time you are going to operate it.

VIII. COMFORT ADJUSTMENTS

TILLER ANGLE ADJUSTMENT



WARNING! Remove the key before adjusting the tiller. Do not attempt to adjust the tiller while the scooter is in motion.

You can adjust the tiller to many positions. The tiller adjustment lever locks the tiller in place. It has a spring-loaded mechanism that enables you to rotate it and change its position.

1. Turn the tiller adjustment lever counterclockwise until it is loose. If the tiller adjustment lever comes in contact with the tiller basket, pull it outward, turn it clockwise, and release it. Continue to loosen until the tiller is able to move. See figures 9A and 9B.
2. Move the tiller to a comfortable position.
3. Turn the tiller adjustment lever clockwise until it is tight. If the tiller adjustment lever comes in contact with the tiller basket, pull it outward, turn it counterclockwise, and release it. Continue to turn the lever until it is tight. The tiller may be lowered to the center of the floorboard and locked in place for storage. See IX. "Disassembly and Assembly."

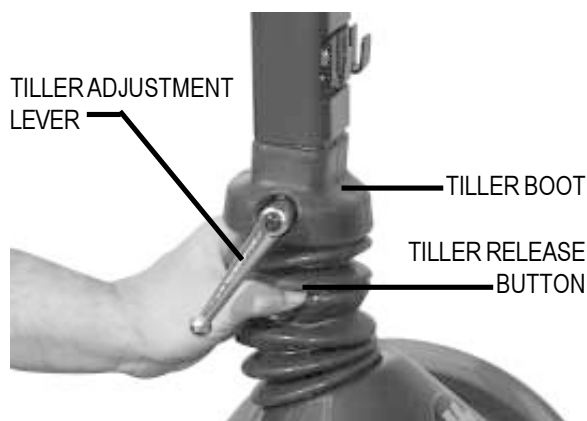


FIGURE 9A. ADJUSTING THE TILLER ANGLE

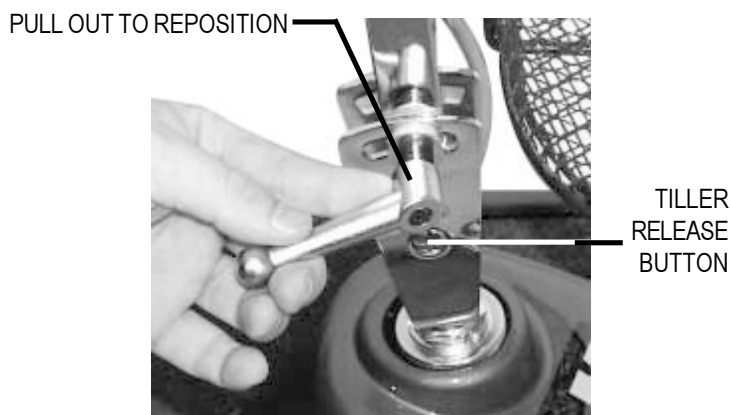


FIGURE 9B. REPOSITION TILLER ADJUSTMENT LEVER (TILLER BOOT REMOVED FOR CLARITY)

SEAT HEIGHT ADJUSTMENT

The seat can be repositioned to one of three different heights. See figure 10.

1. Remove the seat from your Victory. See IX. "Disassembly and Assembly."
2. Use the attached ring to pull and remove the ball detent pin from the lower seat post.
3. Raise or lower the upper seat post to the desired seat height.
4. While holding the upper seat post at that height, match up the holes in the upper seat post and the lower seat post.
5. Fully insert the ball detent pin.
6. Replace the seat.

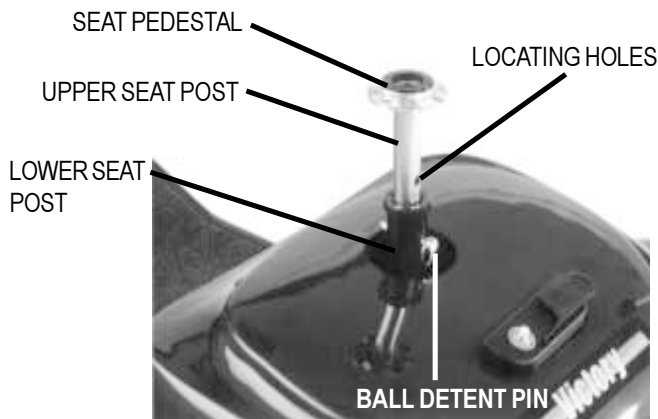


FIGURE 10. SEAT HEIGHT ADJUSTMENT

VIII. COMFORT ADJUSTMENTS

FRONT-TO-BACK SEAT ADJUSTMENT

You can reposition the Victory's seat forward or rearward to one of three settings to adjust the distance between the seat and the tiller. See figure 11.

1. Remove the seat from your Victory. See IX. "Disassembly and Assembly."
2. Remove the four bolts that fasten the seat to the seat platform.
3. Align the seat platform with the desired set of holes on the seat.
4. Install the four bolts securely.

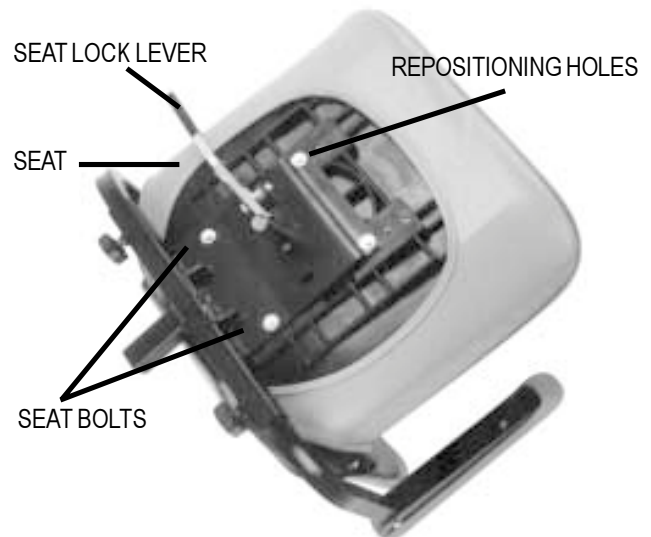


FIGURE 11. FRONT-TO-BACK SEAT ADJUSTMENT

ARMREST WIDTH ADJUSTMENT

The armrest width of your Victory can be adjusted inward or outward. See figure 12.

1. Loosen the thumbscrews at the back of the seat frame.
2. Slide the armrests in or out to the desired width.
3. Tighten the thumbscrews.

The armrests also pivot upward to make getting on and off of your Victory easier.

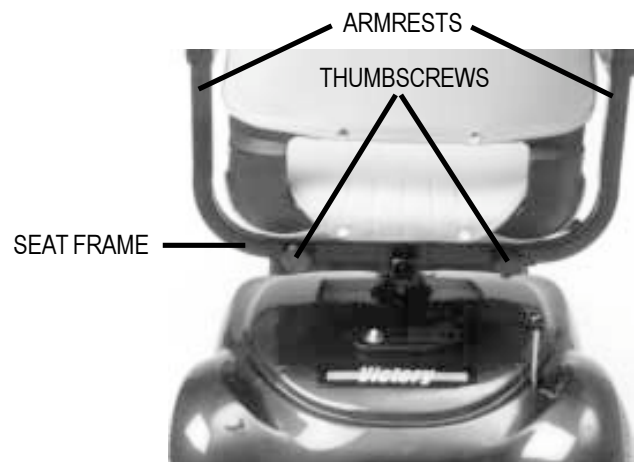


FIGURE 12. ARMREST WIDTH ADJUSTMENT

SEAT LOCK LEVER

The seat lock lever locks the seat in one of eight positions. See figure 13.

1. Pull up on the seat lock lever to unlock the seat.
2. Rotate the seat to the desired position.
3. Release the seat lock lever to lock the seat securely in place.



FIGURE 13. SEAT LOCK LEVER

IX. DISASSEMBLY AND ASSEMBLY

The Victory requires no tools for disassembly. Always disassemble or assemble your Victory on a level, dry surface with sufficient room for you to work and move around your scooter. Keep in mind that the disassembled sections of the Victory will take up more floor space than the assembled Victory.

DISASSEMBLY

1. Remove the key from the key switch. See V. "Description."
2. Pull up on the manual freewheel lever. See V. "Description." Putting your Victory in freewheel may make it easier for you to maneuver the rear section because the drive wheels are free to turn.
3. Make certain that the seat is locked into position. See VIII. "Comfort Adjustments." Lift the seat up and off of your Victory.
4. Gently lift the rear shroud off of your Victory. The rear shroud is held in place with a reusable fastener.
5. Unplug both battery harnesses. See figure 14.
6. Loosen the battery straps then lift both batteries from the battery wells.



CAUTION! Failing to unplug both battery harnesses and the front-to-rear connector prior to further disassembly could result in permanent damage to your Victory.

7. Unplug the large, white, 9-pin front-to-rear connector that attaches the front control console assembly harness to the electronic controller module harness. See figure 15.
8. Turn the tiller adjustment lever counterclockwise until it is loose. Pull the rubber boot upward to expose the tiller release buttons. With one hand on the rear of the tiller, carefully depress both tiller release buttons while slowly lowering the tiller to the center of the floorboard. See figure 9A.
9. Remove the ball detent pin from the frame. See figure 16.
10. Move the cam locks to the unlocked, vertical, position. See figure 16.
11. With one hand on the seat pedestal and one hand on the front frame handle, gently slide the front and rear sections apart. See figure 17.

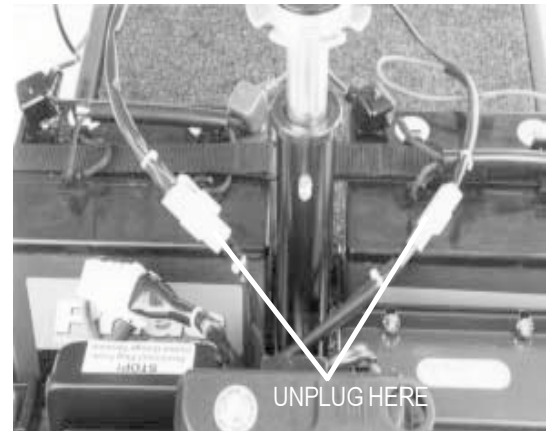


FIGURE 14. BATTERY HARNESS CONNECTORS

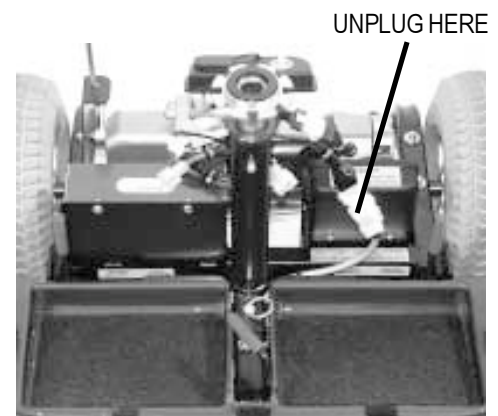


FIGURE 15. FRONT-TO-REAR CABLE

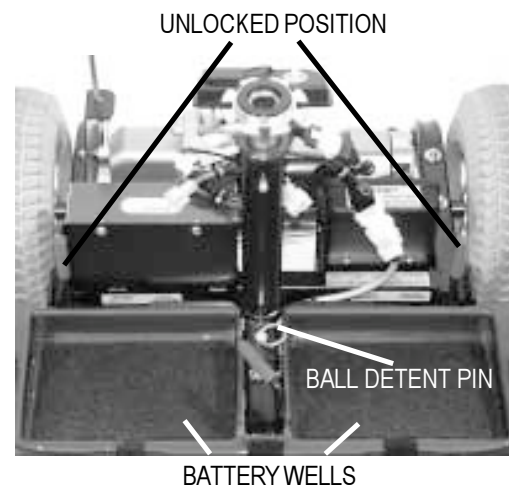


FIGURE 16. FRAME CAM LOCK LEVERS

IX. DISASSEMBLY AND ASSEMBLY

ASSEMBLY

1. Pull up on the manual freewheel lever. See VI. "Description." Putting your Victory in freewheel may make it easier for you to maneuver the rear section because the drive wheels are free to turn.
2. Position the front and rear sections of your Victory as shown in figure 17.
3. Align the lower slots on the rear of the front section to the corresponding pegs on the front of the rear section. See figure 18.
4. Gently push the front section of your Victory towards the rear section until the curved locking brackets are fully connected onto the rear pegs.
5. Insert the ball detent pin.
6. Place the cam locks in the locked position. See figure 19.
7. Raise the tiller to the upright position by turning the tiller adjustment lever until it is loose. Raise the tiller to the desired position. Verify that the tiller release buttons are reengaged, and tighten the tiller adjustment lever.
8. Insert the large, white, 9 pin connector (located on the harness coming out of the Victory's front section) to the connector's mating socket (found near the front of the Victory's rear section). See figure 15.
9. Place the batteries in the battery wells and tighten the battery straps.
10. Connect the 2-pin battery harnesses into the mating harnesses that extend from the electronic controller. See figure 14.
11. Gently place the rear shroud over the seat pedestal and slide it down into position. See figure 10. The reusable fasteners will hold it in place.
12. Carefully lift the seat and slide the seat post (on the bottom of the seat frame) into the seat pedestal. See figure 10.
13. To complete the assembly of your Victory, rotate the seat until it locks into place.

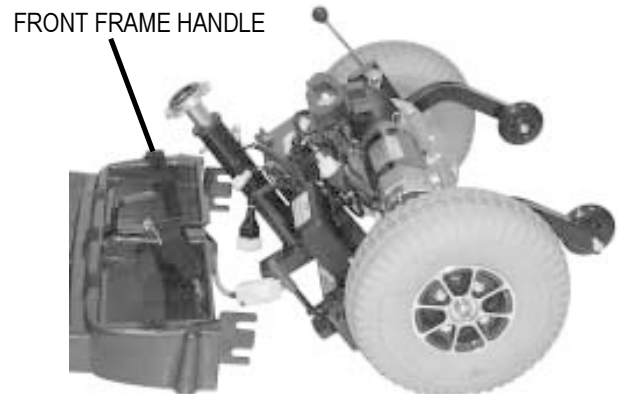


FIGURE 17. FRONT AND REAR SECTIONS

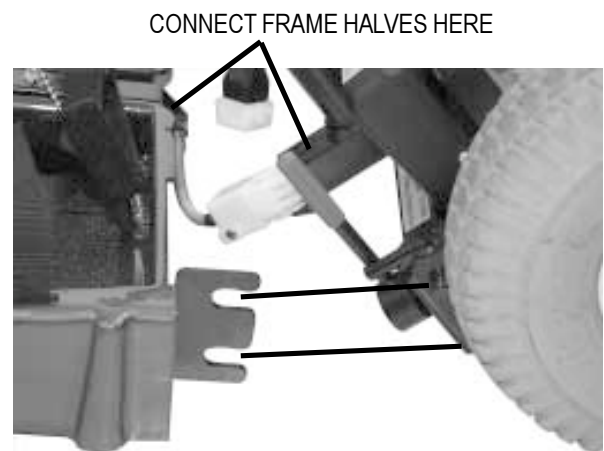


FIGURE 18. FRAME LOCK

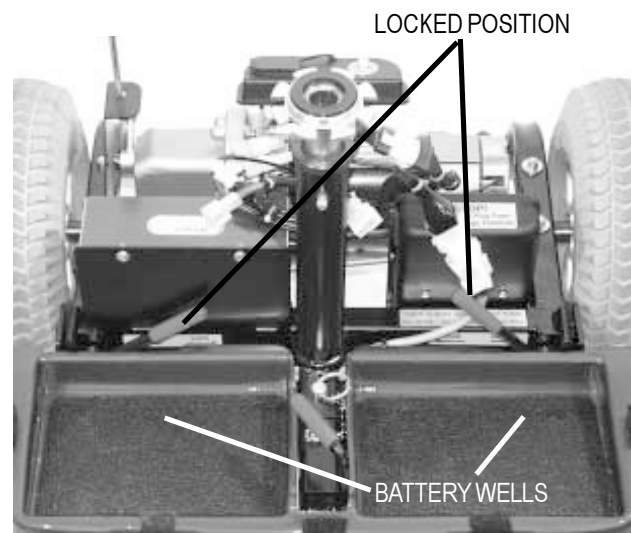


FIGURE 19. FRAME CAM LOCKING LEVERS

X. OPTIONAL ACCESSORIES

For information concerning these optional accessories, see your authorized Pride provider, or call Pride Mobility Products Corporation at 1-800-800-8586.



• TAILLIGHT



• SAFETY FLAG



• SINGLE CRUTCH HOLDER



• DOUBLE CRUTCH HOLDER



• OXYGEN HOLDER



• WALKER HOLDER



• CANE/CRUTCH HOLDER
(BRACKET MOUNT)



• CANE/CRUTCH HOLDER
(ARMREST MOUNT)



• REAR BASKET

XI. BASIC TROUBLESHOOTING

Any electromechanical device occasionally requires some troubleshooting. However, most of the problems that may arise can usually be solved with a bit of thought and common sense. Many of these problems occur because the batteries are not fully charged or because the batteries are worn down and can no longer hold a charge.

What if all the systems on my Victory seem to be “dead”?

- Make certain that the key is fully inserted in the key switch.
- Check that the batteries are fully charged. See VI. “Batteries and Charging.”
- Push in the reset button to reset the main circuit breaker. See V. “Description.”
- Make certain that both battery harnesses are firmly connected to the electronic controller module and to the battery terminals. See IX. “Disassembly and Assembly.”
- Make sure that the front-to-rear harness connector is firmly connected. See IX. “Disassembly and Assembly.”
- Remove and reinsert the key.

What if the motor runs but my Victory does not move?

- Your Victory was probably left in manual freewheel mode. When the freewheel lever is pulled up, the brakes are disengaged and all power to the transaxle is cut.
- Push down the freewheel lever to restore normal operation to your Victory. See V. “Description.”

What if the main circuit breaker repeatedly trips? See V. “Description.”

- Charge the Victory’s batteries more frequently. See VI. “Batteries and Charging.”
- If the problem continues, have both of your Victory’s batteries load tested by your authorized Pride provider.
- Or, battery load testers are available at most automotive parts stores.
 - ✓ Follow the directions supplied with the load tester.
 - ✓ See VI. “Batteries and Charging” or IV. “Specifications” for information about your Victory’s battery type.

What if the battery condition meter dips way down and the motor surges or hesitates when I press my Victory’s throttle control lever? See V. “Description.”

- Fully charge your Victory’s batteries. See VI. “Batteries and Charging.”
- Have your authorized Pride provider load test each battery.
- Or, see the previous troubleshooting question for load testing the batteries yourself.

If you experience any problems with your Victory that you are not able to handle, immediately contact your authorized Pride provider for information, maintenance, and service.

XII. CARE AND MAINTENANCE

Your Victory requires a minimal amount of care and maintenance. If you do not feel confident in your ability to perform the maintenance listed below, you may schedule inspection and maintenance at your authorized Pride provider.

The following areas require periodic inspection and/or care and maintenance.

TIRE PRESSURE:

- For optimum scooter performance we recommend that the tire pressure be maintained at 30 psi.



WARNING! Do not exceed that pressure; overinflating a tire can cause it to explode.

TIRE CONDITION AND TREAD WEAR:

Regularly inspect your Victory's tires for signs of wear.

- Use a rubber conditioner on your Victory's tires to help to preserve them.



WARNING! Do not put rubber conditioner on tread area of tires; the tires may become dangerously slippery.

REMOVABLE FLOOR MAT:

- Your Victory's carpet floor mat is held on with reusable fasteners. It can be removed, cleaned, and reinstalled as necessary.

EXTERIOR SURFACES:

- Bumpers and trim also benefit from an occasional application of rubber or vinyl conditioner.
- Do not use a rubber or vinyl conditioner on the Victory's floor mat or vinyl seat; they may become dangerously slippery.

TERMINAL CONNECTIONS:

- Make certain that the terminal connections remain tight and uncorroded.
- The batteries must sit flat in the battery wells.
- The battery terminals should face the rear of the Victory.

WIRING HARNESSSES:

- Regularly check all wiring connections.
- Regularly check all wiring insulation, including the charger power cord, for wear or damage.
- Repair or replace any damaged connector, connection, or insulation that you find before using your Victory again.

ABS PLASTIC SHROUDS:

- The front console shroud, front shroud, and the rear shroud are formed from durable ABS plastic and coated with an advanced formula urethane paint.
- A light application of car wax helps the shrouds retain their high gloss.

AXLE BEARINGS AND THE MOTOR/TRANSAXLE ASSEMBLY:

- These items are all prelubricated, sealed, and require no subsequent lubrication.

CONSOLE, CHARGER, AND ELECTRONIC CONTROLLER:

- Keep these areas free of moisture.
- If any of these items do become exposed to moisture, let them dry thoroughly before operating your Victory again.

STORAGE:

See "How should I store my Victory and its batteries?" in VI. "Batteries and Charging."

XIII. WARRANTY

THREE-YEAR LIMITED WARRANTY

Structural frame components; including platform, fork, seat post, and frame.

Drive train; including transaxle, motor, and brake.

First year: 100% replacement of parts cost

Second year: 67% replacement of parts cost

Third year: 50% replacement of parts cost

THREE-YEAR WARRANTY EXCEPTIONS

Transaxle: In cases where there is an increase in the operational noise level, the warranty does not apply. (The increase in operational noise level usually occurs due to abusive and excessive strain on the scooter.)

Motor: If damage occurs to the motor commutator as a result of not replacing the motor brushes after heavy wear to the brushes. Motor brushes are wear items and are not warranted.

Motor brake: Three-year warranty for the electrical function of the motor brake. Brake pads are a wear item and will not be warranted.

ONE-YEAR LIMITED WARRANTY

For one (1) year from the date of purchase, Pride will repair or replace, at our option, to the original purchaser, free of charge, any part found upon examination by an authorized representative of Pride to be defective in material and/or workmanship.

The battery is warranted by the battery manufacturer. The battery is not warranted by Pride.

Warranty service can be performed by a provider authorized by Pride or by Pride. Do not return faulty parts to Pride without prior consent. All transportation costs and shipping damage incurred while submitting parts for repair or replacement are the responsibility of the original purchaser.

WARRANTY EXCLUSIONS

- ABS plastic shrouds and footrest covers (wear items and not warranted).
- Batteries (the battery manufacturer provides a six-month limited warranty).
- Tires and tire tubes (wear items and not warranted).
- Upholstery and seating (wear items and not warranted).
- Repairs and/or modifications made to any part of the scooter without specific and prior consent from Pride.
- Circumstances beyond the control of Pride.
- Damage caused by:
 - ✓ Battery fluid spillage or leakage.
 - ✓ Abuse, misuse, accident, or negligence.
 - ✓ Improper operation, maintenance, or storage.
 - ✓ Commercial use or use other than normal.
- Labor, service calls, shipping, and other charges incurred for repair of the product.

XIII. WARRANTY

There is no other express warranty.

Implied warranties, including those of merchantability and fitness for a particular purpose, are limited to one (1) year from the date of original purchase and to the extent permitted by law. Any and all implied warranties are excluded. This is the exclusive remedy. Liabilities for consequential damages under any and all warranties are excluded.

Some states do not allow limitations on how long an implied warranty lasts or do not allow the exclusion of limitation of incidental or consequential damages. So, the above limitation or exclusion may not apply to you.

The warranty gives you specific rights, and you may also have other rights, which vary from state to state.

Please fill out the warranty card and mail it to Pride. Doing so aids Pride in providing you with the best possible technical and customer service.

NOTES

NOTES



Pride
Mobility Products Corp.

182 Susquehanna Avenue
Exeter, PA 18643
1-800-800-8586

www.pridemobility.com

Free Manuals Download Website

<http://myh66.com>

<http://usermanuals.us>

<http://www.somanuals.com>

<http://www.4manuals.cc>

<http://www.manual-lib.com>

<http://www.404manual.com>

<http://www.luxmanual.com>

<http://aubethermostatmanual.com>

Golf course search by state

<http://golfingnear.com>

Email search by domain

<http://emailbydomain.com>

Auto manuals search

<http://auto.somanuals.com>

TV manuals search

<http://tv.somanuals.com>