

Wrangler

Owner's Manual



ATTENTION:
Please read the content
of your owner's manual
before operating your
scooter.

The Ultimate In Style & Performance[®]

Pride
Mobility Products Corp.

Exeter, PA
St. Catharines, ON

1-800-800-8586
www.pridemobility.com

SAFETY GUIDELINES

Please read and follow all instructions in this owner's manual before attempting to operate your scooter for the first time. If there is anything in this manual you do not understand, or if you require additional assistance for setup, contact your authorized Pride Provider.

Using your Pride product safely depends upon your diligence in following the warnings, cautions, and instructions in this owner's manual. Using your Pride product safely also depends upon your own good judgement and/or common sense, as well as that of your provider, caregiver, and/or healthcare professional. Pride is not responsible for injuries and/or damage resulting from any person's failure to follow the warnings, cautions, and instructions in this owner's manual. Pride is not responsible for injuries and/or damage resulting from any person's failure to exercise good judgement and/or common sense.

The symbols below are used throughout this owner's manual to identify warnings and cautions. It is very important for you to read and understand them completely.



WARNING! Failure to heed the warnings in this owner's manual may result in personal injury.



CAUTION! Failure to heed the cautions in this owner's manual may result in damage to your scooter.

C O N T E N T S

I. INTRODUCTION	4
II. SAFETY	6
III. EMI/RFI	9
IV. SPECIFICATIONS	11
V. DESCRIPTION	13
VI. BATTERIES AND CHARGING	17
VII. OPERATION	22
VIII. COMFORT ADJUSTMENTS	24
IX. OPTIONAL ACCESSORIES	27
X. BASIC TROUBLESHOOTING	28
XI. CARE AND MAINTENANCE	29
XII. WARRANTY	30

I. INTRODUCTION

Welcome to Pride Mobility Products Corporation (Pride). Congratulations on the purchase of your new Pride PMV (Personal Mobility Vehicle). Your PMV design combines the most advanced state-of-the-art components with modern, attractive styling. We are certain that the design features and trouble-free operation will add convenience to your daily living and ensure complete satisfaction.

At Pride, your safety is important to us. **Please read and follow all of the instructions in this manual before you attempt to operate your PMV for the first time.** These instructions were produced for your benefit. Your understanding of these instructions is essential for the safe operation of your new Pride PMV.

The PMV is not an FDA approved medical device. As such, it is intended to be used as a luxury personal transportation device. It is recommended that you consult your physician before using this or any personal mobility/transportation device. The manufacturer and distributor of this PMV is also not liable for any property damage or personal injury arising out of the failure of any person and/or user to follow the instructions and recommendations set forth in this manual or any other instructions or recommendations contained in other PMV related literature issued by Pride or contained on the Pride PMV itself. The failure to follow these instructions will also void your warranty.

This owner's manual is compiled from the latest specifications and product information available at the time of publication. We reserve the right to make changes as they become necessary. Any changes to our products may cause slight variations between the illustrations and explanations in this manual and the product you have purchased.

If you experience any problems with your PMV that you are not able to solve, or if you do not feel capable of safely following any of the instructions and/or recommendations contained in this manual, please contact your authorized Pride Provider for assistance.

Once you understand how to operate and take care of your PMV, we are certain that it will give you years of trouble-free service and enjoyment.

Information Exchange

We want to hear your questions, comments, and suggestions regarding this manual. We would also like to hear about the safety and reliability of your new Pride PMV, and the service you received from your authorized Pride Provider.

Please notify us of any change of address so we can keep you apprised of important information regarding safety, new products, and new options that can increase your ability to use and enjoy your Pride PMV. Please feel free to write us at the address below:

Pride Mobility Products Corporation
Attn: Technical Service Department
182 Susquehanna Avenue
Exeter, PA 18643-2694

customer@pridemobility.com
1-800-424-8205

I. INTRODUCTION

Pride Owners Club

As a Pride product owner, you are invited to register your product's warranty and enroll in the Pride Owners Club. You may do so by filling out and returning your enclosed registration card or by visiting Pride's web site at www.pridemobility.com. As a registered member, each time you visit our site you will have access to the most interactive and honest educational venue available today for people with mobility needs, their families, and friends.

From our home page, click on the button that reads "Owners Club" to enter a page dedicated to current and potential Pride product owners. You will gain access to interviews, stories, recreation ideas, daily living tips, product and funding information, and interactive message boards. Message boards invite you to speak with other Pride customers as well as Pride representatives who are available to assist you with any questions or concerns you may have.

My Authorized Pride Provider Is:

Name: _____

Address: _____

Phone Number: _____

Quick Reference Information:

PMV Model: _____

Serial Number: _____

Purchase Date: _____

NOTE: If you ever lose or misplace your product registration card or this owner's manual, call or write to us and we will be glad to send you a new one immediately.

II. SAFETY

As you begin to use your Wrangler during your daily activities, you will encounter situations that may require some practice. Simply take your time as you operate your Wrangler and you will soon be in full and confident control as you maneuver through doorways, on and off of elevators, up and down ramps, and over moderate terrain.

DOORS

- Determine if the door opens toward or away from you.
- Use your hand to turn the knob or push the handle or push-bar.
- Drive your Wrangler slowly forward to push the door open; or drive your Wrangler slowly backwards as you pull the door open.

ELEVATORS

Modern elevators have a door-edge safety mechanism that, when pushed, reopens the elevator door(s).

- If you are in the doorway of an elevator when the door(s) begin to close, push on the rubber door edge or allow the rubber door edge to contact the PMV to reopen the door.
- Use care that pocketbooks, packages, or Wrangler accessories do not become caught in the elevator doors.

RAMPS AND OTHER INCLINES

More and more buildings have ramps with specified degrees of inclination, designed for easy and safe access. Some ramps may have turning switchbacks that require you to have good cornering skills on your Wrangler.

- Take slow, wide swings with your PMV's front wheels around any tight corners. If you do that, the rear wheels will follow a wide arc and will not cut the corner short, bump into, or get hung up on any railing corners.
- When driving down a ramp, keep your Wrangler's speed adjustment dial (see V. "Description") set to the tortoise (slowest speed setting) to ensure a safely controlled descent.
- Avoid sudden stops and starts.

Other inclines may be natural or, if man-made, not designed specifically for PMVs. Figure 1 illustrates your Wrangler's stability and its ability to climb grades under various weight loads and under controlled testing conditions.



FIGURE 1. MAXIMUM RECOMMENDED INCLINE ANGLE

II. SAFETY

The controlled tests show that, when you approach an incline, it is best to lean forward. See figures 2 and 3. This shifts the center of gravity of you and your Wrangler toward the front of the PMV for improved stability.

Your Wrangler was designed to provide optimum stability under normal driving conditions; dry, level surfaces composed of concrete or asphalt. However, Pride recognizes that there will be times when you will operate your PMV on surfaces other than concrete or asphalt. For that reason, we also designed your Wrangler to perform admirably on packed soil, grass, and gravel.

- Feel free to use your Wrangler safely on lawns and in park areas.
- Avoid tall grass that can entangle the running gear.
- Packed soil, gravel, driveways, or roads will not present a problem for your Wrangler.
- Avoid loosely packed gravel and sand.
- If you feel unsure about a driving surface, avoid that surface.



WARNING! Do not exceed the incline guidelines or any other specifications presented in this manual.



FIGURE 2. NORMAL DRIVING POSITION

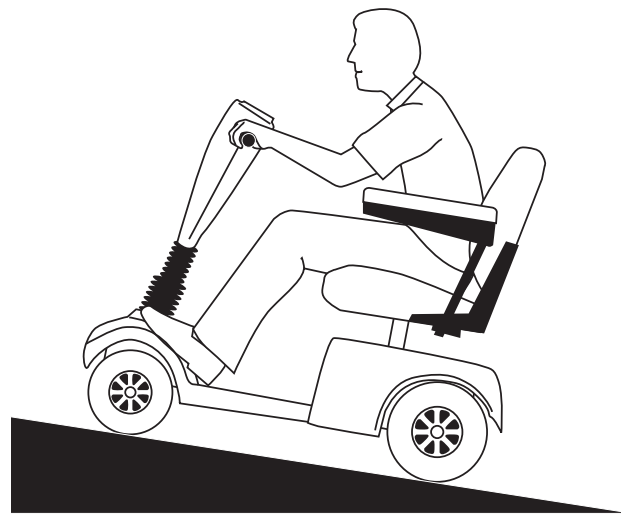


FIGURE 3. INCREASED STABILITY DRIVING POSITION

SAFETY PRECAUTIONS

- Make certain that the seat is locked into place and the key is removed from the key switch before getting on or off of your Wrangler.
- Make sure that you set the 5-10 mph switch to 5 and the speed adjustment dial to the tortoise setting when you begin using your Wrangler.
- Ensure the seat is in a locked position when you are operating your Wrangler.
- If your PMV is equipped with a reclining seat, do not operate the vehicle with the seat in the reclined position.
- Do not operate your Wrangler while you are under the influence of alcohol.
- Check with your physician if you are taking any medication(s) that may affect your ability to operate your Wrangler.

II. SAFETY

- Do not exceed the specifications in this manual.
- Do not carry passengers on your Wrangler under any circumstances.
- Never drive your Wrangler across the side of a hill or diagonally up or down a hill; do not stop, if possible, while driving up or down an incline.
- Keep both hands on the tiller and your feet on the floorboard at all times while operating your Wrangler. This recommended driving position gives you the most control over your vehicle.
- Use extreme caution when driving on busy streets, in parking lots, or in shopping malls.
- Proceed with extreme caution when driving near raised surfaces or unprotected ledges or drop-offs (kerbs, porches, stairs, etc.).
- Drive slowly through turns.
- Make certain that the tires are properly inflated (14 psi).
- Always protect batteries from freezing temperatures and never charge a frozen battery; this damages the battery and may cause personal injury.
- Never use your Wrangler as a seat in a moving vehicle. Your Wrangler is not designed to be used as such and cannot protect you in the event of an automobile accident or an abrupt stop.
- Secure the batteries before loading your Wrangler into another vehicle for transport.
- Disconnect the batteries if you are not going to operate your Wrangler for more than 48 hours. Do not carry passengers on your Wrangler.
- Battery posts, terminals and related accessories contain lead and lead compounds. Wash hands after handling.



WARNING! Do not expose the electronics to any type of moisture at any time (rain, snow, mist or washing the Wrangler). Such exposure can damage the electronics. Never attempt to ride a Wrangler that has been exposed to moisture until it has dried thoroughly.



WARNING! Do not operate or store the Wrangler where it may be exposed to inclement weather conditions such as rain, snow, mist and below-freezing temperatures (such as storage on an outside car/van lift). Attempting to operate the Wrangler in such conditions can damage the electronics and potentially result in loss of control.



WARNING! Do not operate a Wrangler in icy or slippery conditions or on salted surfaces (i.e., walks or roads). Such use may result in an accident, personal injury, or adversely affect the performance and/or safety of your Wrangler .



WARNING! Always protect batteries from freezing temperatures and never charge a frozen battery. This damages the battery and may cause personal injury. Attempting to charge a battery in freezing conditions does not prevent a battery from freezing.

III. EMI / RFI

EMI/RFI WARNINGS

Laboratory tests performed by the Food and Drug Administration (FDA) have shown that radio waves can cause unintended motion of electric PMVs. Radio waves are a form of electromagnetic energy (EM). When electromagnetic energy adversely affects the operation of an electrical device, that adverse effect is called *Electromagnetic Interference (EMI) or Radio Frequency Interference (RFI)*.

EMI/RFI FREQUENTLY ASKED QUESTIONS (FAQS)

The following FAQs summarize what you should know about EMI/RFI. Use this information to minimize the risk that EMI/RFI will adversely affect your Wrangler.

Where do radio waves come from?

Radio waves are emitted from the antennas of cellular phones, mobile two-way radios (such as walkie-talkies and CBs), radio stations, TV stations, amateur radio (HAM) transmitters, wireless computer links, microwave sources, and paging transmitters. Radio waves are a form of EM. Because EM is more intense closer to transmitting antennas (sources of emission), the EM fields from two-way radios are of special concern to electric PMV users.

If EMI/RFI affects my Wrangler, what kind of motion should I expect?

This is difficult to predict. The answer would depend on a number of factors:

- The strength of the radio waves.
- The construction of your particular Wrangler.
- The location of your Wrangler (whether it is on level ground or on an incline).
- Whether or not your Wrangler is in motion.

The motion of any electric PMV affected by EMI/RFI can be erratic. The PMV may come to a sudden stop or move in an uncontrolled manner. Also, it is possible for EMI/RFI to release the brakes of an electric PMV. Some intense EMI/RFI can even damage the control system components of an electric PMV.

Is there any way to know for certain whether or not radio waves are the cause of any unintended motion of my Wrangler?

Unfortunately, EMI/RFI may be difficult to recognize, since the signals from radio sources are invisible and may be intermittent. However, the FDA recommends that you report all incidents of unintended motion or unintended brake release of your electric PMV to the PMV's manufacturer and, if possible, determine whether or not there was a radio wave source nearby at the time of the incident.

One precaution you can take against inadvertent motion of your Wrangler is to make certain that you or someone else is not the cause of the unintended motion.

- Turn off your Wrangler by removing the key from the key switch when you are getting on or off of your Wrangler.
- Never leave the key in the key switch of an unattended Wrangler.

By following these steps, you greatly reduce the risk of you or anyone else inadvertently bumping the throttle control levers and causing the Wrangler to move unintentionally.

Has anyone been injured by the erratic, unintended motion of an electric PMV?

The FDA has reports of injuries that resulted from uncontrolled motion of electric PMVs, but it is not clear just how many of those injuries were actually caused by EMI/RFI.

III. EMI / RFI

Are all PMVs susceptible to EMI/RFI?

Each make and model of electric PMV differs in its ability to resist EMI/RFI. That is, each PMV has a particular level of resistance to EMI/RFI. This resistance is measured in volts per meter (V/m). A higher resistance level offers greater protection against EMI/RFI. In other words, an electric PMV with a high resistance level is less likely to be affected by a strong radio source than is an electric PMV with a low resistance level.

What is the FDA doing about the problem?

The FDA has written to electric PMVs manufacturers and requested that those manufacturers test their new models of PMVs to be certain that they provide a reasonable degree of resistance against EMI/RFI. The FDA has stated that all newly manufactured models of electric PMVs should have a resistance level of at least 20 V/m. This resistance level provides a reasonable degree of protection against the common sources of EMI/RFI.

The FDA has also requested or recommended that:

- Electric PMV manufacturers clearly label new products with that product's resistance level or state that the resistance level is not known.
- The labeling or informational material supplied with new electric PMVs must explain what the resistance level means and warn users about the possibility of EMI/RFI and how to avoid it.
- Electric PMV manufacturers undertake an educational program to inform electrical PMV users and their caregivers about the problems associated with EMI/RFI and about the actions they can take to minimize the risk of EMI/RFI.
- While there is no exact way to tell if your PMV is totally safe, an immunity level of 20 V/m (May 1994) is generally achievable and useful. Adding accessories and components or modifying the unit may change the susceptibility to EMI/RFI.

What can I do to find out if my Wrangler is likely to be affected by EMI/RFI?

If you have had your Wrangler for some time and have not experienced any unintended motion, it is not likely that you will have a problem in the future. However, it is always possible that EMI problems could arise if you are close to a source of radio waves. Therefore, it is very important for you to be alert to this possibility. The Wrangler PMV meets or exceeds a resistance level of at least 20 V/m.

What can I do to reduce the risk of my Wrangler being affected by EMI/RFI?

Some precautions are:

- Do not turn on or use hand-held personal communications devices, such as citizen's band (CB) radios and cellular phones, while your Wrangler is turned on.
- Be aware of nearby radio wave transmitters, such as radio or TV stations and hand-held or mobile two-way radios. Try not to operate your Wrangler too close to those transmitters. For example, if you are on an electric PMV with a resistance level of at least 20 V/m, you should remain at least three feet from a hand-held two-way radio and at least ten feet from a mobile two-way radio.
- Be aware that adding accessories and/or components, or modifying your Wrangler in any way, may change its EMI/RFI resistance level and may make it more susceptible to interference from radio wave sources.

What should I do if my Wrangler moves unexpectedly?

If unintended motion or unintended brake release occurs, turn off your Wrangler (by removing the key) as soon as it is safe to do so.

If my Wrangler moves unintentionally, where should I report the incident?

Call our headquarters at 1-800-424-8205 to report the incident.

IV. SPECIFICATIONS

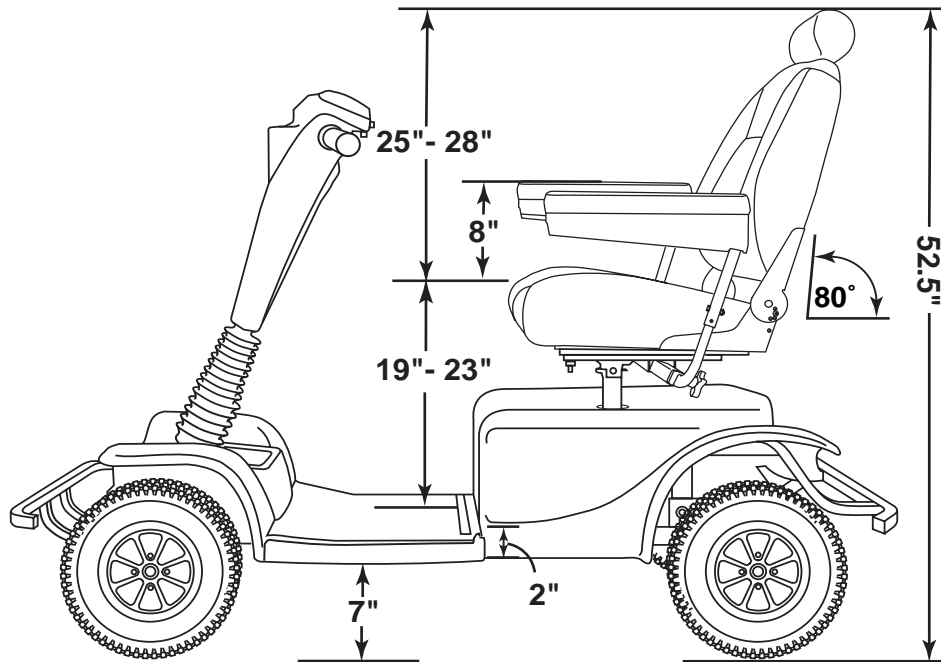
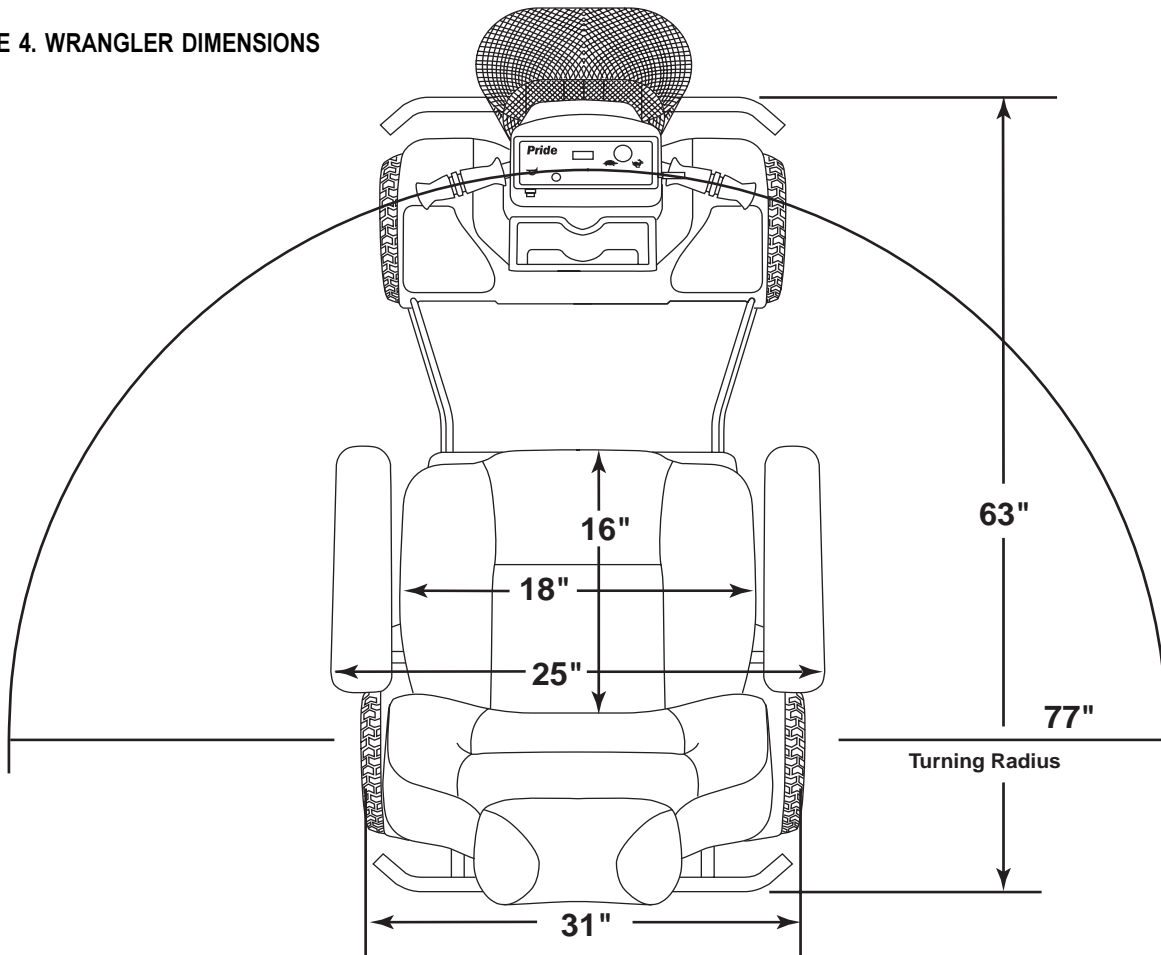


FIGURE 4. WRANGLER DIMENSIONS



IV. SPECIFICATIONS

Model Numbers:	PMV600CRED, PMV600FGRN, PMV600VBLU, PMV600CHMP, PMV620 (Silverado: OBLK), PMV650 (Golf Edition:GRN)
Length	63.5 in.
Width	31 in.
Tires	Type: Pneumatic Front: 6in. x 13in., Rear: 6 in. x 13 in.
Weight Capacity	400 lbs. maximum
Battery Type (not included)	Two 12V, 100AH, SLA (sealed lead-acid) 63 lbs. (each)
Horsepower	3.0 hp (peak)
Charger	onboard 5-amp charger
Speed (Max)	Variable up to 10 mph (60% reverse)
Maximum Grade	Please refer to figure 1.
Range	Up to 30-35 miles per charge with 100AH batteries
Turning Radius	77 in.
Body Colors	Candy Apple Red, Forest Green, Viper Blue, Onyx Black, Golf Green, Champagne
Seating	<p>Style: High back with head rest and sliders</p> <p>Dimensions: 18 in. width (usable) x 25 in. - 28 in. height (usable) x (16 in.) depth (usable)</p> <p>Seat Cover Material: Vinyl; Black, Gray, Tan, or Brown</p> <p>Armrests: Match seat cover material</p> <p>User adjustable seat height from ground: 27.75 in. - 31.75 in.</p> <p>User adjustable seat height from deck: 19 in. - 23 in.</p>
Included Features	Sliding seat, energy-saving auto shutoff feature, height adjustable armrests, rear suspension, front and rear bumpers, headlight
Brakes	Electronic regenerative braking and electromechanical disc brake
Rear Wheel Drive	2 - 24 VDC motors
Wheels	Aluminum alloy wheels in Black
Tiller Type	4 position adjustable
Freewheel Mechanism	Freewheel release levers located on motors
Weight	<p>Total weight with batteries: w/two 12V, 100AH batteries: 345 lbs.</p> <p>Total weight without batteries, seat, and rear shroud: 216 lbs.</p> <p>Component Breakdown:</p> <p>Rear Plastic Shroud: 3.5 lbs.</p> <p>Seat: 37 lbs.</p> <p>100 AH battery weight (two required): 63 lbs. (each)</p>
Ground Clearance	7 in.
Optional Accessories	Rear basket, flag, canopy, dust cover, cup holder, golf bag holder (rear), rear view mirror, full light package

V. DESCRIPTION

Your Wrangler is an indoor/outdoor motorized electric PMV designed to enhance your personal mobility. It was designed to travel primarily on smooth surfaces such as sidewalks, roads, parking lots, floors, and driveways. For easy transportation or storage, you can disassemble your Wrangler into six (6) components. See figure 5.

SEAT

To remove the Wrangler's seat. See VIII "Comfort Adjustments."

REAR SHROUD

To remove the rear shroud:

1. Remove the seat from your Wrangler. See figure 11.
2. Lift the shroud up and over the seat post.

BATTERIES

To remove the batteries from you Wrangler see VI. "Batteries and Charging."



FIGURE 5. WRANGLER COMPONENTS

CONTROL CONSOLE ASSEMBLY

The control console assembly located on the front section houses all of the controls you need to operate your Wrangler. See figure 6.



FIGURE 6. CONTROL CONSOLE ASSEMBLY

V. DESCRIPTION

Key Switch

This switch enables you to power up (turn on) and power down (turn off) your Wrangler.

- Fully insert the key into the key switch to power up your Wrangler.
- Pull the key out to power down your Wrangler.



WARNING! If you remove the key from the key switch while your Wrangler is in motion, the electronic brakes engage and your Wrangler comes to an abrupt stop!

Tiller Adjustment Lever

This lever allows you to adjust the tiller between four different positions. For tiller adjustment instructions, see VIII. “Comfort Adjustments.”

Throttle Control Levers

These levers allow you to control your Wrangler’s forward and reverse speed up to the maximum speed you preset on the speed adjustment dial. For instructions on how to operate your Wrangler’s throttle control, see VII. “Operation.”

Horn Button

This button activates a warning horn.

- Ensure the key is fully inserted into the key switch and push the horn button to sound the horn.

Battery Condition Meter

When your Wrangler’s key is fully inserted, this meter indicates the approximate battery voltage strength. For further information on battery charging, see VI. “Batteries and Charging.”

Speed Adjustment Dial

This dial allows you to select and limit your Wrangler’s speed up to the highest speed you set with the 5-10 mph switch.

5-10 MPH Switch

This switch limits the top speed of your Wrangler to either 5 or 10 mph.

- Toggle this switch to either 5 or 10 mpg.

NOTE: When driving indoors, it is recommended you set the switch to 5 mph.

Light Switch

This switch turns your Wrangler’s headlight on and off.

- Toggle this switch to the right to turn the light on.
- Toggle this switch to the left to turn the light off.

V. DESCRIPTION

REAR SECTION

The electronic controller module, batteries, main circuit breaker, power charger cord, freewheel levers, and the motor assemblies are located on the rear section of your Wrangler. See figures 7 and 7A.

Batteries

The batteries store the electrical energy that powers your Wrangler. For directions on charging your batteries. See VI. "Batteries and Charging."

Electronic Controller Module (Not shown)

This module is located on the Wrangler's rear section, under the utility tray cover. The controller assembly receives electrical signals from the console controls and sends power to the motor, the brakes, and the lighting system.

NOTE: Only authorized Pride service personnel should ever remove the utility tray cover.



WARNING! Do not expose the electronic controller module to moisture. If it does become exposed to moisture, do not attempt to operate your Wrangler until it has thoroughly dried.

Main Circuit Breaker

When the voltage in your Wrangler's batteries becomes low or your PMV is heavily strained because of excessive loads, the main circuit breaker may trip to protect your Wrangler's motor and electronics from damage.

- The main circuit breaker is mounted between the two batteries. See figure 7.
- When the breaker trips, the entire electrical system of your Wrangler is shut down.
- The main circuit breaker is designed to manually reset after one minute.
- If the breaker trips frequently, you may need to charge your batteries more often or have your Pride Provider perform a 100-amp load test on your Wrangler's batteries.
- If the main circuit breaker trips repeatedly, see your authorized Pride Provider for service.

Battery Charger

The Wrangler comes with its own onboard battery charger. When the charger is plugged into an electrical outlet, it charges the Wrangler's batteries. See VI. "Batteries and Charging."

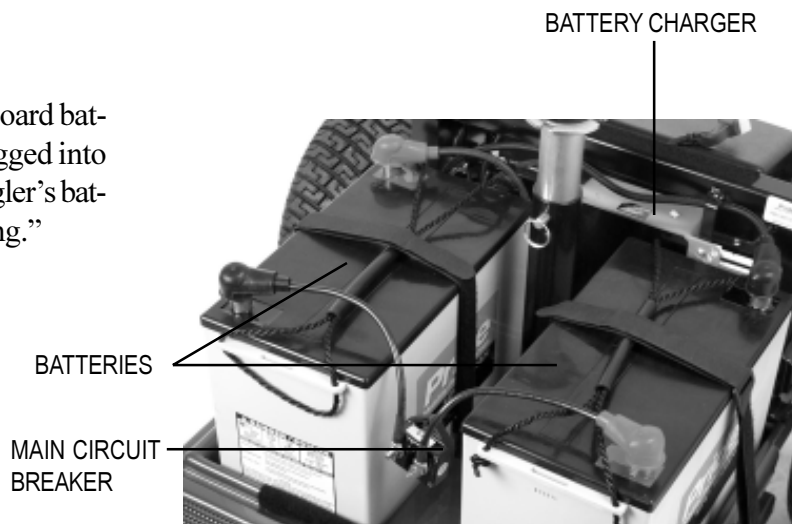


FIGURE 7. REAR SECTION

V. DESCRIPTION

Manual Freewheel Levers

Whenever you want to push your Wrangler for short distances, you can put it in manual freewheel mode. The manual freewheel levers are located on the end of the motors at the rear of the Wrangler. See figure 7A.

- Push down on the manual freewheel levers to disable the drive system and the brake system; you will then be able to push your Wrangler.
- Pull up on the manual freewheel levers to reengage the drive system and the brake system and take your Wrangler out of freewheel mode.

WARNING! It is important to remember that when your Wrangler is in freewheel mode, the braking system is disengaged.

Follow these safety rules when using the freewheel mode:

- Do not disengage the drive motors when your Wrangler is on an incline; the PMV could roll down on its own and cause injury.
- Before placing your Wrangler in or taking it out of freewheel mode, ensure the key is removed from the key switch.
- Never sit on a PMV when it is in freewheel mode.
- When you have finished pushing your PMV, always return it to the drive mode to lock the brakes.



Charger Power Cord

The power cord is connected to the Wrangler's onboard battery charger. When plugged into an electrical outlet, will charge the Wrangler's batteries.

Motor Assembly

The motor assembly is the geared transmission and differential. Your Wrangler has two motor assemblies. They are direct drive, fully sealed assemblies which provide quiet operation with maximum power.

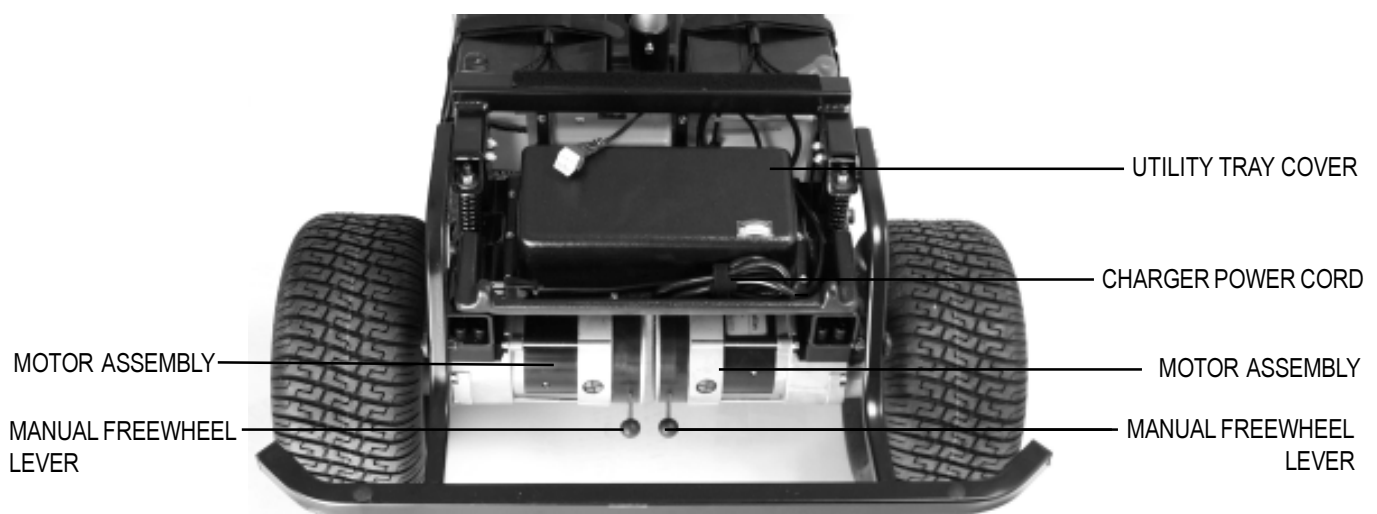


FIGURE 7A. REAR SECTION

VI. BATTERIES AND CHARGING

Your Wrangler requires two long-lasting, 12-volt, deep-cycle batteries that are sealed and maintenance free. Recharge the batteries with the convenient onboard battery charger.

Two important points to remember are:

- Charge your Wrangler's batteries with the supplied onboard battery charger prior to using it for the first time.
- Keep your batteries fully charged to keep your Wrangler running smoothly.

NOTE: Use only the onboard battery charger supplied with your Wrangler.

READING YOUR BATTERY VOLTAGE

The battery condition meter on the control console indicates the approximate strength of your batteries. (The meter reads 24 volts when your batteries are fully charged.) To check the charge, you must first unplug the onboard battery charger and insert the key into the key switch.

NOTE: To ensure the highest accuracy, the battery condition meter should be checked while operating your PMV at full speed on a level surface.

You can also use the ammeter to check your batteries' charge. The ammeter is located on the utility tray under the rear shroud. See figure 8. The amperage reading should be at or near zero (0) when the batteries are fully charged. The battery charger must be plugged into a wall outlet to obtain an ammeter reading.

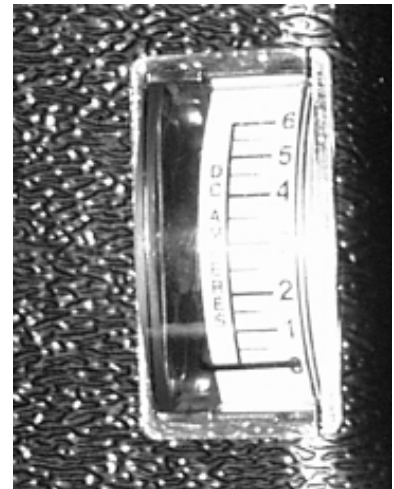


FIGURE 8. AMMETER

CHARGING YOUR BATTERIES

The charger power cord plugs into a standard wall outlet to charge the batteries.

FOLLOW THESE STEPS TO SAFELY CHARGE YOUR BATTERIES

1. Position your Wrangler close to a standard wall outlet.
2. Remove the key from the key switch.
3. Ensure the freewheel lever is in the up (drive) position.
4. Extend the charger power cord (see figure 7A) and plug it into the wall outlet. We recommend you charge your Wrangler's batteries for 8 to 14 hours.



WARNING! Never use an extension cord to plug in your battery charger. Plug the charger directly into a properly wired standard wall outlet.

5. When the batteries are fully charged, (indicated by the ammeter reading 0) unplug the onboard charger power cord from the wall outlet.

There are two LED indicators (red and green) on the front of the battery charger.

- When lit, the red LED indicates that the batteries are being charged.
- A green and red LED lit simultaneously indicates charging is nearly complete.
- When lit, the green LED indicates the batteries are fully charged.

NOTE: There is a charger inhibit on your Wrangler. Your PMV does not run and the battery condition meter does not operate while the batteries are charging.

VI. BATTERIES AND CHARGING

FREQUENTLY ASKED QUESTIONS (FAQs)

How does the charger work?

When your Wrangler's battery voltage is low, the charger works harder and sends more electrical current to the batteries to bring up their charge. As the voltage of the batteries approaches a full charge, the charger sends less electrical current to the batteries. When the batteries are fully charged, the current sent to them from the charger is at nearly zero amperage. Therefore, when the charger is plugged in, it maintains the charge on your Wrangler's batteries but does not overcharge them. Even though the charging maintenance feature is built into your Wrangler's onboard charger, we do not recommend that you charge your Wrangler's batteries for more than 24 consecutive hours.

Can I use a different charger?

For the safest, most efficient, and balanced charging of your Wrangler's batteries, you should simultaneously charge both batteries using only the manufacturer-supplied onboard battery charger.

How often must I charge the batteries?

Two major factors must be considered when deciding how often to charge your Wrangler's batteries: all day PMV use on a daily basis, and infrequent PMV use.

With these considerations in mind, you can determine just how often and for how long you should charge your Wrangler's batteries. We designed the onboard charger so that it does not overcharge your PMV's batteries; however, you may encounter some problems if you do not charge your batteries often enough and if you do not charge them on a regular basis. Following the five guidelines below provides safe and reliable battery operation and charging.

- If you use your Wrangler daily, charge its batteries as soon as you finish using it for the day. Your PMV will be ready each morning to give you a "full day" of service. We recommend you charge your Wrangler's batteries for 8 to 14 hours after daily use.
- If you use your Wrangler once a week or less, charge its batteries at least once a week for 12 to 14 hours at a time.
- Keep your Wrangler's batteries fully charged.
- Avoid deeply discharging your Wrangler's batteries.
- Do not charge your Wrangler's batteries for more than 24 consecutive hours.

How can I get maximum range or distance per charge?

Rarely will you have ideal driving conditions—smooth, flat, hard driving surfaces with no wind or curves. You will often face hills, sidewalk cracks, uneven and loosely packed surfaces, curves, and wind. All of these driving conditions affect the distance or running time per battery charge. The following are a few suggestions for obtaining the maximum range per battery charge.

- Always fully charge your Wrangler's batteries prior to your daily use.
- Maintain 14 psi (pounds per square inch) in all of your Wrangler's tires.
- Plan your route ahead to avoid as many hills, cracked, broken, or soft surfaces as possible.
- Limit your baggage weight to essential items.
- Try to maintain an even speed while your Wrangler is in motion.
- Avoid stop-and-go driving.

VI. BATTERIES AND CHARGING

What type and size of battery should I use?

We recommend deep-cycle batteries that are sealed and maintenance free. Both sealed lead-acid (SLA) and gel cell are deep-cycle batteries that are similar in performance in your Wrangler. Do not use wet-cell batteries, which have removable caps.



CAUTION! Do not remove the caps from sealed batteries. Water cannot be added to sealed batteries. Cap removal voids the battery warranty and may cause damage to the batteries and to your Wrangler.

Use these specifications to reorder deep-cycle batteries:

Type: Deep-cycle (sealed lead-acid or gel cell)
Size: Group 27
Voltage: 12 volts each
Amperage: 100 AH (amp hours)



WARNING! Battery posts, terminals and related accessories contain lead and lead compounds. Wash hands after handling.

What if my Wrangler doesn't arrive with batteries?

If your Wrangler does not come with batteries already installed from Pride, you have chosen to purchase the batteries separately. Carefully follow the instructions below for proper wire placement and battery installation.

To place the batteries in your Wrangler:

1. Remove the seat and rear shroud from the Wrangler.
2. Place the batteries into the battery wells. Be sure that the positive (+) terminal of the left side battery and the negative (-) terminal of the right side battery are facing forward. See figure 9.
3. Connect the main circuit breaker to the front battery terminals.
4. Connect the rear black cable to the negative (-) battery terminal.
5. Connect the rear red cable to the positive (+) battery terminal.
6. Fasten the battery tie-down straps.
7. Reinstall the rear shroud and seat.

To remove the batteries:

1. Remove the seat and rear shroud.
2. Disconnect all the cables from the battery terminals.
3. Unfasten the battery tie-down straps.
4. Remove the batteries.

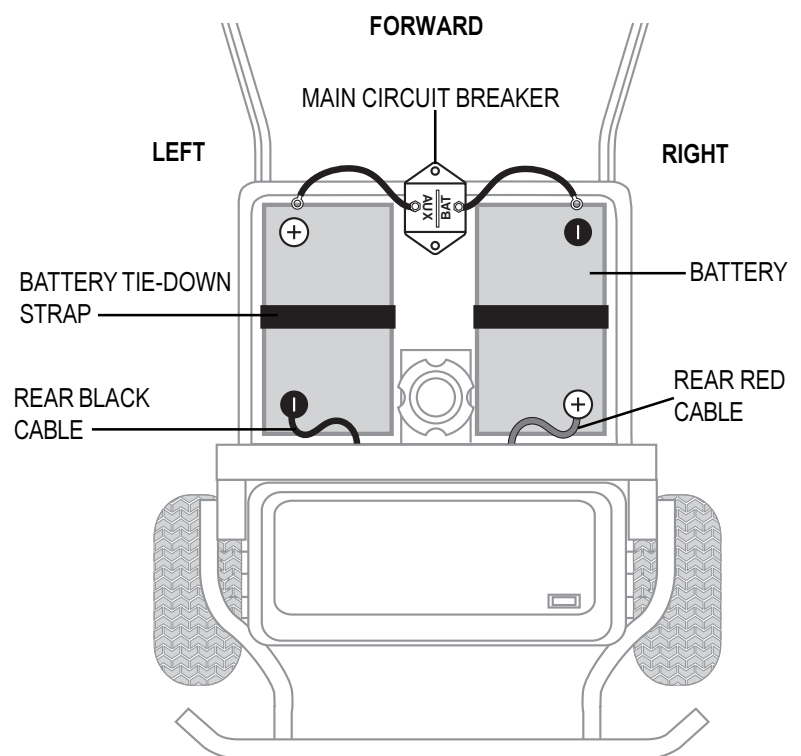


FIGURE 9. PLACING AND REMOVING BATTERIES



WARNING! The Wrangler batteries are extremely heavy (63 lbs. ea). If lifting the batteries safely is beyond your physical capability, have someone with ample strength lift the batteries for you.

VI. BATTERIES AND CHARGING

Why do my new batteries seem weak?

Deep-cycle batteries employ a different chemical technology than that used in car batteries, nickel-cadmium batteries (nicads), or in other common battery types. Deep-cycle batteries are specifically designed to provide power, drain down their charge, and then accept a relatively quick recharge.

We work closely with our battery manufacturer to provide batteries that best suit your Wrangler's specific electrical demands. Fresh batteries arrive daily at Pride and are shipped fully charged to our customers. During shipping, the batteries may encounter temperature extremes that may influence their initial performance. Heat diminishes the charge on the battery; cold slows the available power and extends the time needed to recharge the battery.

It may take a few days for the temperature of your Wrangler's batteries to stabilize and adjust to their new room or ambient temperature.

More importantly, it takes a few charging cycles (a partial drain followed by a full recharge) to establish the critical chemical balance that is essential to a deep-cycle battery's peak performance and long life.

Please follow these steps to properly break in your Wrangler's new batteries for maximum efficiency and service life.

1. Fully recharge any new battery prior to its initial use. This initial charging cycle brings the batteries up to about 88% of their peak performance level.
2. Operate your new Wrangler in familiar and safe areas. Drive slowly at first, and do not travel too far from your home or familiar surroundings until you have become accustomed to your Wrangler's controls and have properly broken in your PMV's batteries.
3. Fully recharge the batteries. This recharge should bring the batteries up to about 90% of their peak performance level.
4. Operate your Wrangler again.
5. Fully recharge the batteries again.
6. After four or five charging cycles, the batteries are able to receive a charge of 100% of their peak performance level and are able to last for an extended period of time.

How can I ensure maximum battery life?

Fully charged deep-cycle batteries provide reliable performance and extended battery service life. Keep your Wrangler's batteries fully charged whenever possible. Batteries that are deeply discharged, infrequently charged, or stored without a full charge may be permanently damaged and cause unreliable performance and limited service life.

How should I store my Wrangler and its batteries?

If you plan on not using your Wrangler for an extended period of time, it is best to:

- Fully charge its batteries prior to storage.
- Disconnect the battery cables from the battery terminals.
- Store your Wrangler in a warm, dry environment.
- Avoid storing your Wrangler where it will be exposed to temperature extremes.



WARNING! If your Wrangler's batteries do become frozen, do not attempt to charge them. Cold or frozen batteries should be allowed to warm up for several days prior to recharging.

VI. BATTERIES AND CHARGING

For prolonged storage, you may wish to place several boards under the frame of your Wrangler to raise it off the ground and take the weight off the tires. This reduces the possibility of flat spots developing on the areas of the tires contacting the ground.

Familiarize yourself with the following checklist before you get on your Wrangler. Some of the checks must be performed prior to getting on your PMV.

What about public transportation?

If you intend to use public transportation while using your PMV, you must contact in advance the transportation Provider to determine their specific requirements.

VII. OPERATION

PRE-RIDE ADJUSTMENTS AND CHECKS

- Have you fully charged the batteries? See VI. “Batteries and Charging.”
- Are the manual freewheel levers in the drive (up) mode? See V. “Description.” Never leave the freewheel levers pushed down unless you are manually pushing your Wrangler.
- Is your proposed path clear of people, pets, and obstacles?
- Have you planned your route to avoid adverse terrain and as many inclines as possible?
- Are you positioned comfortably in the seat? See “Getting On Your Wrangler,” below.
- Is the seat at the proper height? See VIII. “Comfort Adjustments.”
- Is the seat locked securely in place? See VIII. “Comfort Adjustments.”
- Is the tiller handle at a comfortable setting and locked securely in place? See VIII. “Comfort Adjustments.”
- Is the key fully inserted into the key switch? See V. “Description.”
- Is the speed adjustment dial set to a slow setting? V. “Description.”
- Are you grasping the handgrips with a thumb resting on each of the throttle levers? See V. “Description.”
- Does your Wrangler’s horn work properly?

GETTING ONTO YOUR WRANGLER

1. Make certain that the key is removed from the key switch.
2. Stand at the side of your Wrangler.
3. Push down on the seat rotation lever to unlock the seat and rotate the seat until it faces you; release the seat rotation lever to lock the seat securely in place.
4. Position yourself comfortably and securely in the seat.
5. Push down on the seat rotation lever and rotate the seat until you face forward; release the seat rotation lever to lock the seat securely in place.
6. Make certain that your feet are safely on the floorboard.

OPERATING YOUR WRANGLER

After planning your route:

- Set the 5-10 mph switch to your desired maximum speed of 5 or 10 mph; then set the speed adjustment dial to your desired speed. We recommend you initially set the 5-10 mph switch to 5 mph and the speed adjustment dial to the tortoise (slowest speed setting).
- Insert the key into the key switch.
- With your hands on the handgrips, use your thumb to gently push the right throttle lever to disengage your Wrangler’s brakes and move forward; the electric brake automatically disengages and the Wrangler accelerates smoothly to the speed you set with the speed adjustment dial.
- Pull on the left handgrip to steer your Wrangler to the left.
Pull on the right handgrip to steer your Wrangler to the right.
- Move the tiller to the center position to drive straight ahead.
- Gently release the throttle lever to decelerate and come to a complete stop. The electric brake automatically engages when your Wrangler comes to a stop.
- To move in reverse, use your thumb to gently push the left throttle lever to disengage your Wrangler’s brakes and move rearward.

NOTE: Your Wrangler’s reverse speed is slower than the speed you set with the speed adjustment dial and the 5-10 mph switch.

VII. OPERATION

GETTING OFF OF YOUR WRANGLER

1. Bring your Wrangler to a complete stop.
2. Make certain that the key is removed from the key switch.
3. Push down on the seat rotation lever to unlock the seat and rotate the seat until you are facing toward the side of your Wrangler; release the seat rotation lever to lock the seat securely in place.
4. Carefully get out of the seat and stand to the side of your Wrangler.
5. You may, if you wish, leave the seat facing to the side to facilitate boarding your Wrangler the next time you are going to operate it.

AUTO SHUTOFF FEATURE

Your Wrangler is equipped with an energy saving auto shutoff feature that is designed to preserve your PMV's battery life. If you mistakenly leave the key in your Wrangler but do not use the PMV for approximately 20 minutes, the PMV automatically shuts down.

If your Wrangler auto shutoff feature takes effect, perform the following steps to resume normal operation:

- Remove the key from the key switch.
- Reinsert the key into the key switch.

Your Wrangler should resume normal operation.

VIII. COMFORT ADJUSTMENTS

WARNING! Remove the key from the key switch before adjusting the tiller or the seat. Never attempt to adjust the tiller or the seat while the PMV is in motion.

TILLER ANGLE ADJUSTMENT

You can adjust the tiller angle to four different locking positions.

1. Pull up on the tiller adjustment lever. See figure 10.
2. Move the tiller to a comfortable position.
3. Release the tiller adjustment lever. The tiller will remain in that position.

NOTE: In order to lower the tiller to its lowest position, you must first remove the seat and both batteries.

SEAT HEIGHT ADJUSTMENT

Your Wrangler's seat can be repositioned to one of three different heights.

1. Remove the seat from your Wrangler. See figure 11.
2. Use the attached ring to pull and remove the ball detent pin from the lower seat post. See figure 12.
3. Raise or lower the upper seat post to the desired seat height.
4. While holding the upper seat post at that height, match up the holes in the upper seat post and the lower seat post.
5. Fully insert the ball detent pin.
6. Replace the seat.



FIGURE 10. TILLER ADJUSTMENT LEVER



FIGURE 11. SEAT REMOVAL

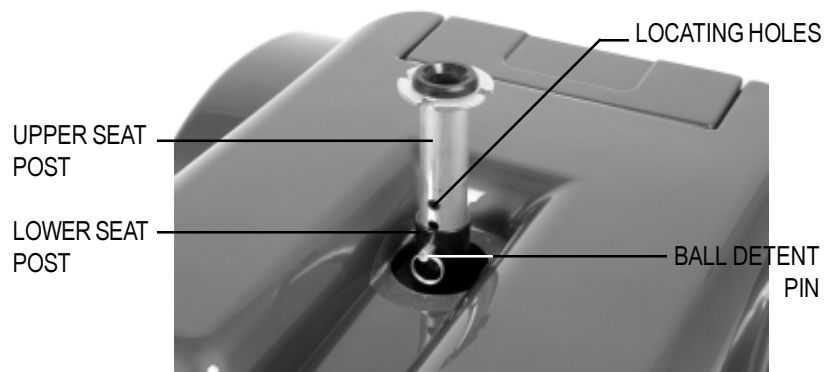


FIGURE 12. SEAT HEIGHT ADJUSTMENT

VIII. COMFORT ADJUSTMENTS

HIGH-BACK SEAT HEADREST ADJUSTMENT

If your Wrangler is equipped with a high-back seat, the headrest height can be adjusted to several positions.

1. Pulling up on the headrest will raise its position. See figure 13.
2. Pushing down on the head rest lowers its position.

Pulling the headrest forward or pushing it backward will adjust it to several positions.

SEATBACK ADJUSTMENT

To adjust your Wrangler's reclining seat, perform these steps. See figure 13.

1. While pulling up on the seatback adjustment lever, lean forward or backward to adjust the seatback.
2. Release the seatback adjustment lever once the seat is in a comfortable riding position.

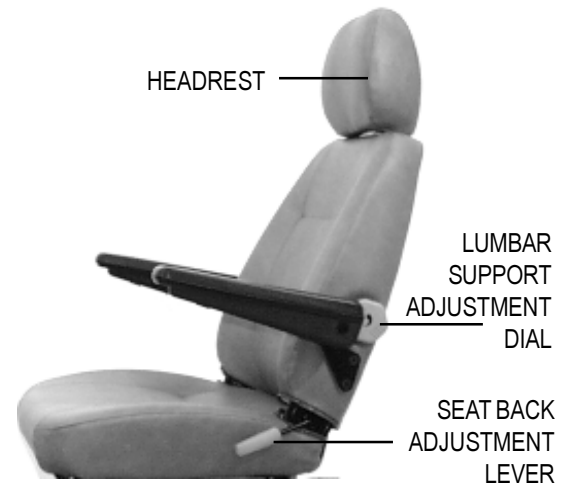


FIGURE 13. SEATBACK AND HEADREST ADJUSTMENTS



WARNING! Always keep your back pressed firmly against the seatback while adjusting the angle.

LUMBAR SUPPORT ADJUSTMENT DIAL

The lumbar support is inside the lower part of the seatback. Turn the lumbar support adjustment dial counterclockwise to move the support into a comfortable position. See figure 13.

FRONT-TO-BACK SEAT ADJUSTMENT

You can reposition the Wrangler's seat forward or rearward to adjust the distance between the seat and the tiller. See figure 14.

1. Pull up on the seat sliding lever.
2. While holding the lever up, slide the seat forward or rearward.
3. Release the seat sliding lever once the seat is in the desired position.

SEAT ROTATION

The seat lock lever locks the seat in one of four positions. See figure 14.

1. Push down on the seat lock lever to unlock the seat.
2. Rotate the seat to the desired position.
3. Release the seat lock lever to lock the seat securely in place.



FIGURE 14. SLIDING SEAT ADJUSTMENT

VIII. COMFORT ADJUSTMENTS

ARMREST ANGLE ADJUSTMENT

The armrests of your Wrangler can be adjusted upward or downward. See figure 15.

- By turning the adjustment dial, the armrest will either raise or lower.

The armrests also pivot upward to make getting on and off of your Wrangler easier.

NOTE: If your Wrangler is not equipped with a reclining highback seat, as shown in figure 13, you will be able to adjust the height and width of the armrest by following the directions below.



FIGURE 15. ARMREST ANGLE ADJUSTMENT

ARMREST HEIGHT ADJUSTMENT

You will need the following tools to adjust the height of the armrests:

- 5/32" Hex Key
- 1/8" Hex Key
- 7/16" Wrench

1. Loosen the setscrew on the side of the height adjustment tube with the 1/8" hex key.
2. Loosen and remove the acorn nut and screw holding the height adjustment tube in place.
3. Raise or lower the height adjustment tube to the desired height.
4. Align the holes in the adjustment tube with the holes in the armrest upright.
5. Insert the screw through the holes in both the height adjustment tube and the armrest upright.
6. Install and tighten the acorn nut.
7. Tighten the setscrew on the side of the height adjustment tube.
8. Repeat for the other armrest.

ARMREST WIDTH ADJUSTMENT

The armrest width of your Wrangler can be adjusted inward or outward.

1. Loosen the armrest adjustment knobs at the back of the seat frame. See figures 16 and 17.
2. Slide the armrests in or out to the desired width.
3. Tighten the armrest adjustment knobs. The armrests can also be lifted upward to allow getting on and off of your Wrangler easier.

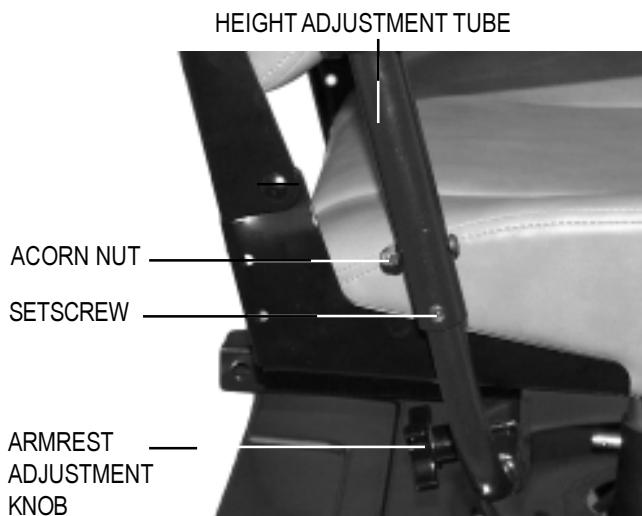


FIGURE 16. ARMREST HEIGHT ADJUSTMENT

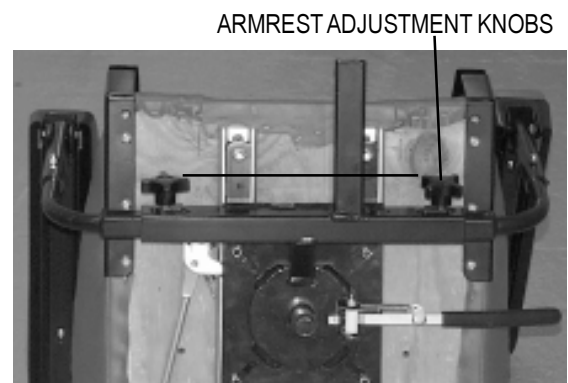


FIGURE 17. ARMREST ADJUSTMENTS

IX. OPTIONAL ACCESSORIES

OPTIONAL ACCESSORIES

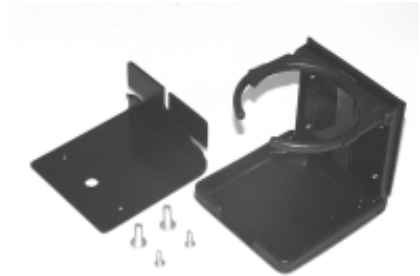
For information concerning these optional accessories, see your authorized Pride Mobility Products Corporation Provider.



REAR BASKET



MIRROR



CUP HOLDER



(REAR) GOLF BAG HOLDER



FLAG

X. BASIC TROUBLESHOOTING

Any electromechanical device occasionally requires some troubleshooting. However, most of the problems that may arise can usually be solved with a bit of thought and common sense. Many of these problems occur because the batteries are not fully charged or because the batteries are worn down and can no longer hold a charge.

PROBLEM	POSSIBLE SOLUTIONS
All of my Wrangler systems appear to be "dead."	<p>One of the following actions may eliminate the problem.</p> <ul style="list-style-type: none"> • Ensure the key is fully inserted in the key switch. • Ensure the batteries are fully charged. • Push in the main circuit breaker reset button. • Ensure both battery harnesses are firmly connected to the electronic controller module and to the battery terminals. • Ensure the 9-pin connector is firmly attached.
My Wrangler's battery condition meter shows a full charge, but my PMV does not move when I push the throttle.	<p>Ensure your Wrangler was not left in freewheel mode. (Pull up on the freewheel lever to restore normal operation.)</p> <p><i>NOTE: When the freewheel lever is pushed down, your Wranglers brakes are disengaged and all power to the transaxle is cut.</i></p>
My Wrangler's main circuit breaker repeatedly trips.	<p>One of the following actions may eliminate the problem.</p> <ul style="list-style-type: none"> • Charge your Wrangler's batteries more frequently. • Have both of your Wrangler's batteries load tested by your authorized Pride Provider. • Obtain a battery load tester at most any automotive parts store; follow the directions supplied with the load tester.
My Wrangler's battery condition meter dips way down and the motor surges or hesitates when I press the throttle control lever.	<p>One of the following actions may eliminate the problem.</p> <ul style="list-style-type: none"> • Fully charge your Wrangler's batteries. • Have your authorized Pride Provider load test each battery. • Obtain a battery load tester at most any automotive parts store; follow the directions supplied with the load tester.

If you experience any problems with your Wrangler that you are not able to resolve, immediately contact your authorized Pride Provider for information, maintenance, and service.

XI. CARE AND MAINTENANCE

The following areas require periodic inspection and/or care and maintenance.

TIRE PRESSURE:

- We recommend you maintain the tire pressure at **14 psi** for optimum performance.



WARNING! Overinflating a tire can cause it to explode.

TIRE CONDITION AND TREAD WEAR:

- Regularly inspect your Wrangler's tires for signs of wear.
- Use a rubber conditioner on your Wrangler's tires to preserve them.



WARNING! Do not put rubber conditioner on tread area of tires; the tires may become dangerously slippery.

EXTERIOR SURFACES:

- Bumpers and trim benefit from an occasional application of rubber or vinyl conditioner.
- Do not use rubber or vinyl conditioner on your Wrangler's vinyl seat; it may become dangerously slippery.

BATTERY TERMINAL CONNECTIONS:

- Ensure the terminal connections remain tight and uncorroded.
- Ensure the batteries sit flat in the battery wells.
- Ensure the battery terminals face the rear of your Wrangler.

WIRING HARNESES:

- Regularly check all wiring connections.
- Regularly check all wiring insulation, including the charger power cord, for wear or damage.
- Repair or replace any damaged connector, connection, or insulation before you use your Wrangler.

SEAT POST:

- Periodically clean dirt and grime from the detached seat post with any lubricant solution; wipe away excess buildup with a soft cloth.

ABS PLASTIC SHROUDS:

- Apply a light coat of car wax to the shrouds to help retain their high gloss; the shrouds are formed from durable ABS plastic and coated with an advanced formula urethane paint.

AXLE BEARINGS AND THE MOTOR/TRANSAXLE WRANGLER ASSEMBLY:

- You do not need to lubricate these items, as they are all pre-lubricated and sealed.

CONSOLE, CHARGER, AND ELECTRONIC CONTROLLER MODULE:

- Keep these areas away from moisture.
- Let any of these areas dry thoroughly before operating your Wrangler if they have been exposed to moisture.

STORAGE:

- Refer to VI. "Batteries and Charging."

XII. WARRANTY

THREE-YEAR LIMITED WARRANTY

Structural frame components, including platform, fork, seat post, and frame.

Drive train, including transaxle, motor, and brake.

- First year: 100% replacement of parts cost
- Second year: 67% replacement of parts cost
- Third year: 50% replacement of parts cost

THREE-YEAR WARRANTY EXCEPTIONS

Transaxle: In cases where there is an increase in the operational noise level, the warranty does not apply. (The increase in operational noise level usually occurs due to abusive and excessive strain on the PMV.)

Motor: If damage occurs to the motor commutator as a result of not replacing the motor brushes after heavy wear to the brushes. Motor brushes are wear items and are not warranted.

Motor brake: Three-year warranty for the electrical function of the motor brake. Brake pads are a wear item and are not warranted.

ONE-YEAR LIMITED WARRANTY

For one (1) year from the date of purchase, Pride Mobility Products Corporation will repair or replace, at our option, to the original purchaser, free of charge, any part found upon examination by an authorized representative of Pride to be defective in material and/or workmanship.

The battery is warranted by the battery manufacturer. The battery is not warranted by Pride.

Warranty service can be performed by a Provider authorized by Pride or by Pride. Do not return faulty parts to Pride without prior consent. All transportation costs and shipping damage incurred while submitting parts for repair or replacement are the responsibility of the original purchaser.

WARRANTY EXCLUSIONS

- ABS plastic shrouds and footrest covers (wear items and not warranted).
- Batteries (the battery manufacturer provides a six-month limited warranty).
- Tires and tire tubes (wear items and not warranted).
- Upholstery and seating (wear items and not warranted).
- Repairs and/or modifications made to any part of the PMV without specific and prior consent from Pride.
- Circumstances beyond the control of Pride.
- Damage caused by:
 - Battery fluid spillage or leakage.
 - Abuse, misuse, accident, or negligence.
 - Improper operation, maintenance, or storage.
 - Commercial use or use other than normal.
- Labor, service calls, shipping, and other charges incurred for repair of the product.

XII. WARRANTY

There is no other express warranty.

Implied warranties, including those of merchantability and fitness for a particular purpose, are limited to one (1) year from the date of original purchase and to the extent permitted by law. Any and all implied warranties are excluded. This is the exclusive remedy. Liabilities for consequential damages under any and all warranties are excluded.

Some states do not allow limitations on how long an implied warranty lasts or do not allow the exclusion of limitation of incidental or consequential damages. So, the above limitation or exclusion may not apply to you.

The warranty gives you specific rights, and you may also have other rights, which vary from state to state.

Please fill out the warranty card and mail it to Pride. Doing so assists Pride in providing you with the best possible technical and customer service.



Pride
Mobility Products Corp.

182 Susquehanna Avenue
Exeter, PA 18643
1-800-800-8586

www.pridemobility.com

Free Manuals Download Website

<http://myh66.com>

<http://usermanuals.us>

<http://www.somanuals.com>

<http://www.4manuals.cc>

<http://www.manual-lib.com>

<http://www.404manual.com>

<http://www.luxmanual.com>

<http://aubethermostatmanual.com>

Golf course search by state

<http://golfingnear.com>

Email search by domain

<http://emailbydomain.com>

Auto manuals search

<http://auto.somanuals.com>

TV manuals search

<http://tv.somanuals.com>