

SilverStar™

SILVER BOOM 300



OWNER'S MANUAL

SAFETY GUIDELINES



WARNING! An authorized Pride Provider or qualified technician must perform the initial setup of this lift and must perform all of the instructions in this manual.

The symbols below are used throughout this owner's manual and on the product to identify warnings and important information. It is very important for you to read them and understand them completely.



WARNING! Indicates a potentially hazardous condition/situation. Failure to follow designated procedures can cause either personal injury, component damage, or malfunction. On the product, this icon is represented as a black symbol on a yellow triangle with a black border.



MANDATORY! These actions should be performed as specified. Failure to perform mandatory actions can cause personal injury and/or equipment damage. On the product, this icon is represented as a white symbol on a blue dot with a white border.

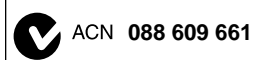


PROHIBITED! These actions are prohibited. These actions should not be performed at any time or in any circumstances. Performing a prohibited action can cause personal injury and/or equipment damage. On the product, this icon is represented as a black symbol with a red circle and red slash.

Please fill out the following information for quick reference:

Pride Provider: _____
Address: _____
Phone Number: _____
Purchase Date: _____ Serial Number: _____

NOTE: This owner's manual is compiled from the latest specifications and product information available at the time of publication. We reserve the right to make changes as they become necessary. Any changes to our products may cause slight variations between the illustrations and explanations in this manual and the product you have purchased. The latest/current version of this manual is available on our website.



Copyright © 2007
Pride Mobility Products Corp.
INFMANU3210/Rev D/September 2007

C O N T E N T S

I. INTRODUCTION.....	4
II. SAFETY	5
III. INSTALLATION	8
IV. OPERATION.....	15
V. TROUBLESHOOTING	19
VI. MAINTENANCE SCHEDULE	21
VII. WARRANTY	22

I . I N T R O D U C T I O N

Welcome to Pride Mobility Products Corporation (Pride). Congratulations on the purchase of your new SilverBoom. The SilverBoom design combines the most advanced state-of-the-art components with modern, attractive styling. We are certain that the design features and trouble-free operation will add convenience to your daily living and ensure complete satisfaction.

At Pride, your safety is important to us. **Please read and follow all instructions in this manual before operating your SilverBoom for the first time.** These instructions were produced for your benefit. Your understanding of these instructions is essential for the safe operation of your new SilverBoom.

Pride is not liable for damage to property or personal injury arising out of the unsafe use of a Pride SilverBoom. Pride is also not liable for any property damage or personal injury arising out of the failure of any person and/or user to follow the instructions and recommendations set forth in this manual or any other instructions or recommendations contained in other SilverBoom related literature issued by Pride or contained on the Pride SilverBoom itself.

INTERNET AND PRIVATE PURCHASES

If you purchased your product over the internet or from a previous owner and have any questions about the safe use and/or maintenance of the product, please visit Pride's web site www.pridemobility.com or contact your authorized Pride Provider.

PURCHASER'S AGREEMENT

By accepting delivery of this product, you promise that you will not change, alter, or modify this product or remove or render inoperable or unsafe any guards, shields, or other safety features of this product; fail, refuse, or neglect to install any retrofit kits from time to time provided by Pride to enhance or preserve the safe use of this product.

SHIPPING AND DELIVERY

Before using your lift, make sure your delivery is complete as some components may be individually packaged. If you do not receive a complete delivery, please contact your authorized Pride Provider. Where damage has occurred during transport, either to the packaging or content, please contact the delivery company responsible.

INFORMATION EXCHANGE

We want to hear your questions, comments, and suggestions about this manual. We would also like to hear about the safety and reliability of your new SilverBoom, and about the service you received from your authorized Pride Provider.

Please notify us of any change of address, so we can keep you apprised of important information about safety, new products, and new options that can increase your ability to use and enjoy your SilverBoom. Please feel free to contact us at the address below:

Pride Mobility Products Corporation
Attn.: Customer Care Department
182 Susquehanna Ave.
Exeter, PA 18643-2694

customer care@pridemobility.com
800.424.8205

NOTE: If you ever lose or misplace your product registration card or your copy of this manual, contact us and we will be glad to send you a new one immediately.

II. SAFETY

PRODUCT SAFETY SYMBOLS

The symbols below are used on the lift system to identify warnings, mandatory actions, and prohibited actions. It is very important for you to read and understand them completely.



Read and follow the information in the owner's manual.

Do not sit on mobility product while operating the lift system or during transport.

Do not lift people.



Maximum lifting capacity.

Pinch/Crush points created during assembly and/or operation.

Do not lift pets.



Do not extend the lifting strap past the warning label located on it.

II. SAFETY



Avoid exposure to rain, snow, ice, salt, or standing water whenever possible. Maintain and store in a clean and dry condition.



Only authorized personnel may service this equipment.



Disposal and recycling-Contact your authorized Pride Provider for information on proper disposal of your Pride product and its packaging.



Disposal and recycling-Contact your authorized Pride Provider for information on proper disposal of your Pride product and its packaging.

II. SAFETY

LIFTING CAPABILITIES

The SilverBoom 300 is designed to lift a maximum weight of 300 lbs. (136 kg). Under no circumstances should the SilverBoom be made to exceed this weight limit. Subjecting the SilverBoom to the strain of lifting more than it is designed to, may cause it to fail, resulting in damage to the mobility product and/or injury to the lift operator. Refer to the mobility product owner's manual for information on the overall weight of the mobility product before lifting with the SilverBoom.



WARNING! Adding accessories, oversized batteries, or a different seat will increase the weight of your mobility product. Verify with your authorized Pride Provider that the total weight of your mobility product, including the additions, does not exceed 300 lbs. (136 kg).

INSTALLATION

Your SilverBoom lift system was designed to be mounted primarily in a motor vehicle. Mounting your SilverBoom on a platform, where the height of the lift may cause the lifting strap to extend beyond a safe point, can damage the SilverBoom and injure the operator of the lift. The distance between the top of the boom-arm and the mobility product should not exceed 70 in (178 cm) when the boom-arm is fully extended.

Read and fully understand the directions for drilling the mounting holes for the SilverBoom base before installing the lift system.



WARNING! Before drilling the mounting holes in your vehicle, make absolutely certain through a visual inspection that there are no obstructions in the path of the drill bit, such as the fuel tank, exhaust pipes, or electrical wires.

LIFTING NON-PRIDE ITEMS

The SilverBoom is an extremely versatile device, which users may employ to lift items other than Pride products. Pride has no control over such use, nor can Pride anticipate every possible use to which a SilverBoom may be put. Lifting non-Pride products with the SilverBoom is done at the operator's own risk, and Pride accepts no liability for damage or injury resulting from such use.

PRELIFT INSPECTION

Inspect the lifting strap of the SilverBoom before every use for twisting, fraying, and signs of wear. If signs of wear become evident, have the strap replaced by your authorized Pride Provider.



WARNING! A frayed or worn lifting strap can snap, resulting in damage to the mobility product being lifted and injury to the lift operator.

OPERATOR POSITIONING

Keep hands clear of the lifting strap while the SilverBoom is lifting/lowering a mobility product. The operator of the lift should stand a safe distance from the unit being lifted/lowered to ensure that his/her feet are never positioned under a raised mobility product.

TRANSPORT VEHICLE POSITIONING

Be sure your vehicle is parked on flat, level ground and the emergency brake is engaged before attempting to lift a mobility product.



WARNING! Attempting to lift a mobility product when a vehicle is not on level ground will cause the mobility product to swing toward or away from the vehicle, making it difficult to get the mobility product into the vehicle.

III. INSTALLATION

The SilverBoom can be installed in either side of your vehicle. The illustrations demonstrate installation on the right side.

POWER ROTATING BASE SHROUD REMOVAL

Installing a power rotating base requires that the base shroud be removed in order to access the rear mounting holes of the L-base. **See figure 1.**

1. Remove the 4 screws that secure the shroud to the base.
2. Carefully lift the shroud up and off of the base.

NOTE: SilverBoom lifts that have a power rotating base should only be installed into a van or SUV.

DETERMINE L-BASE LOCATION



WARNING! The lift is heavy. Assistance may be necessary during installation. Use proper lifting techniques and avoid lifting beyond your physical capability.

1. Assemble the L-Base. **See figure 2.** For optimal use, insert the base extensions into the L-base at their farthest extension point and install the hardware (nuts and bolts). The base extensions can be adjusted to accommodate obstructions.

NOTE: Always insert the bolt from the inside of the L-base. This allows the base extensions to be properly tightened without rattling.

2. Before permanently installing the lift, place the L-base inside your vehicle in the area in which you intend to install it. **See figure 3** for L-base positioning for SUV's and vehicles with hatchbacks, or **figure 4** for trunk installation.

NOTE: Positioning the L-base close to the rear allows the boom-arm to stay as short as possible; this enables the boom-arm to swing freely without making contact with the motor vehicle.

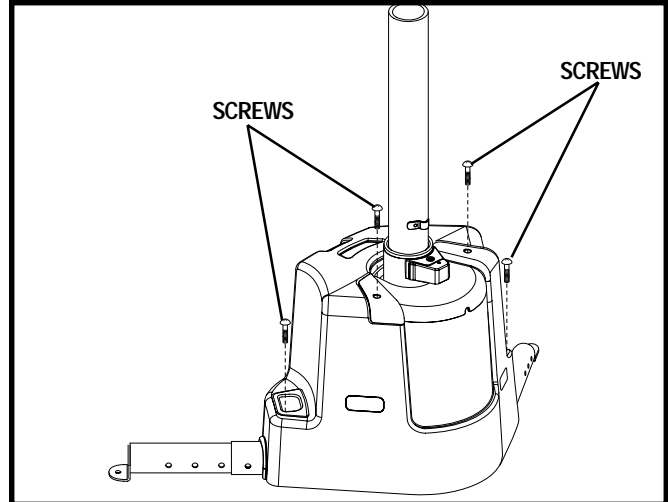


Figure 1. Power Rotating Base Shroud Removal

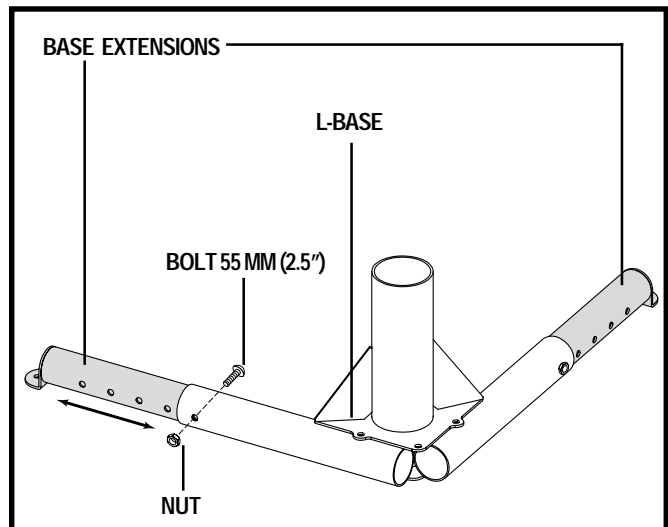


Figure 2. L-Base Extensions

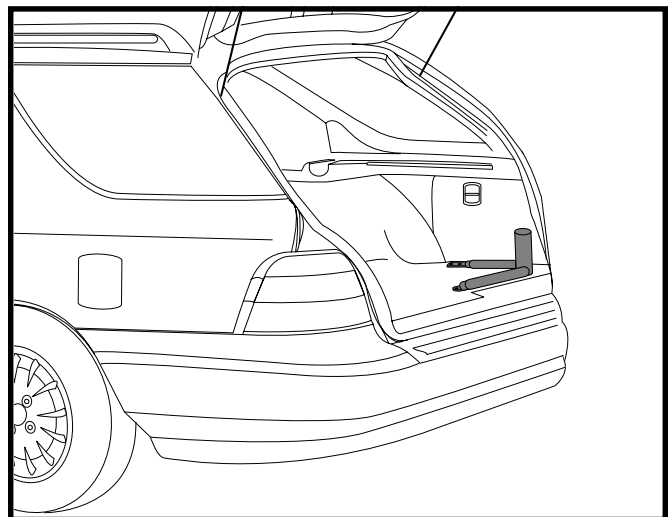


Figure 3. L-Base (Hatchback Installation)

III. INSTALLATION

TRUNK INSTALLATION (SILVERBOOM 300 MANUAL ROTATION ONLY)

Position the L-base as shown in **figure 3**. You may need to situate the L-base so the wheel well does not interfere with the L-base extensions. Ensure there is adequate room for a mobility product to comfortably fit into the trunk.

ASSEMBLING THE LIFT

1. Insert the upper post into the L-base. See **figure 5**.

NOTE: When inserting the upper post into a power rotating base, a slight adjustment of the sprocket may be needed to align the insertion hole of the sprocket with the lower post located inside the power rotating base. This can be done by inserting the upper post into the sprocket hole and moving it until the upper post descends into the power rotating base's lower post.

2. Slide the height adjustment ring (see **figure 6**) over the upper post and tighten the setscrew (a good starting point is approximately 12 in. (30.5 cm) down from the top of the upper post). See **figure 4**. To ensure safe operation, the height adjustment ring must be secured no closer than 6 in. (15 cm) from the top of the upper post.



WARNING! Failing to tighten the height adjustment ring setscrew could cause damage to your lift, mobility product, and vehicle.

NOTE: The height adjustment ring may need to be adjusted down so the boom-arm has sufficient head room to swing into a vehicle, or adjusted up so the mobility product being lifted has ample room to clear obstructions.

NOTE: If the length of the upper post for the power rotating base needs to be made shorter during installation to ensure a proper fit into the vehicle, a qualified technician should remove the upper post cap, cut the necessary length from the top of the post, then reinstall the upper post cap. See **figure 13A**.



PROHIBITED! Do not cut any length from the bottom of the upper post of the power rotating base.

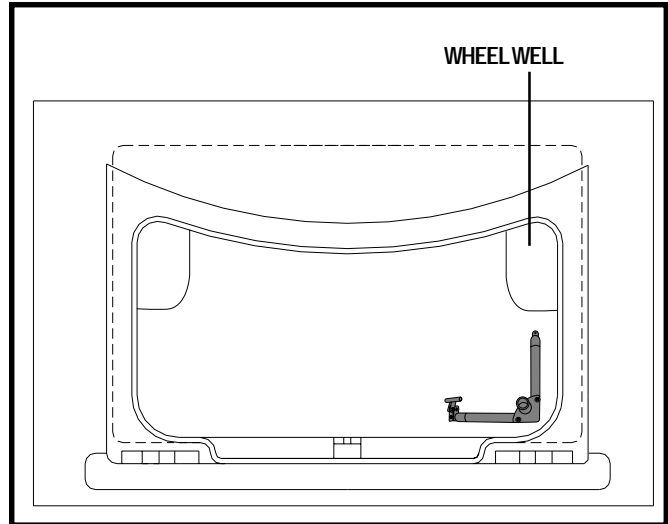


Figure 4. L-Base (Trunk Installation)

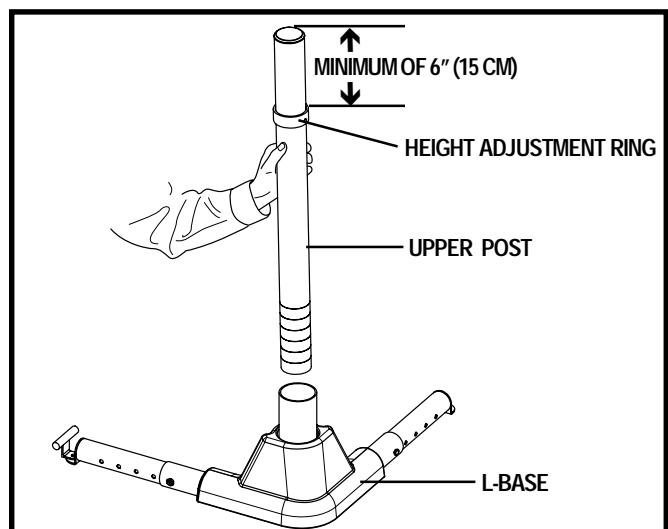


Figure 5. Upper Post Installation

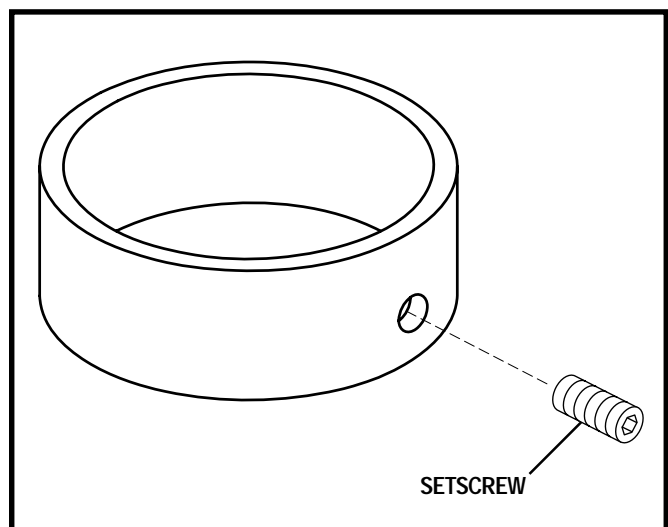


Figure 6. Height Adjustment Ring Assembly

III. INSTALLATION

3. Lower the motor housing over the upper post until it rests on the height adjustment ring. **See figure 7.**



WARNING! Pinch Point Hazard! Keep hands clear of the upper post when lowering the motor housing.



WARNING! The lift will be top heavy until mounted securely. Get assistance to help stabilize the lift while swinging the boom-arm.

HATCHBACK INSTALLATION-MINIVANS, STATION WAGONS, ETC.

Once the lift is assembled and seated on the L-base, close the hatch slowly to make sure it does not make contact with it. If the lift is too close to the rear, adjust its position slightly until the hatch can close without making contact with the lift. Positioning the L-base close to the rear allows the boom-arm to stay as short as possible. This enables the lift to swing into the vehicle without contacting the far side of the vehicle.

You may need to adjust the height of the motor housing (see figures 7 and 8) or the length of the boom-arm (see figure 9) so the boom-arm can swing freely without hitting at any point inside the vehicle.

MOTOR HOUSING HEIGHT ADJUSTMENT

The placement of the height adjustment ring determines the height of the motor housing. **See figure 8.**

- Lower the ring when more room is needed overhead to swing the boom-arm inside a vehicle.
- Raise the ring when more height is needed to enable a mobility product to be lifted into a trunk.

To adjust the height adjustment ring:

1. Loosen the setscrew on the ring. **See figure 8.**
2. Raise or lower the ring to the necessary height.
3. Tighten the setscrew.

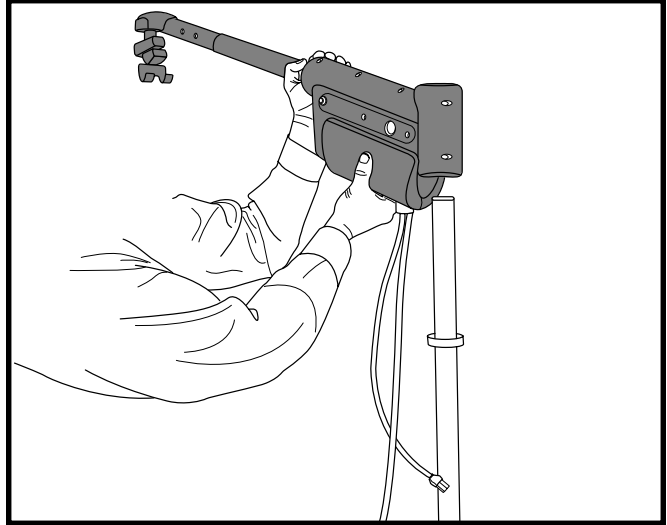


Figure 7. Motor Housing Installation

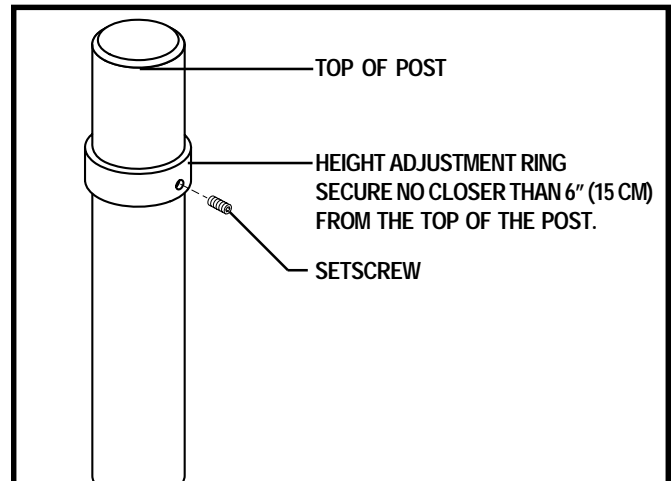


Figure 8. Height Adjustment Ring Position

III. INSTALLATION

BOOM-ARM ADJUSTMENT

Before adjusting the boom-arm, lower the lifting hook about 12 in. (30.5 cm). This will provide enough slack in the strap to enable the adjustable portion of the boom-arm (top tube) to be pulled out of the bottom tube to its farthest adjustment hole. **See figure 9.**

To adjust the boom-arm:

1. Remove the bow tie cotter pin from the adjustment pin and remove the adjustment pin.
2. Slide the top tube in or out to the desired adjustment hole.
3. Align the adjustment holes of the top and bottom tube and reinsert the adjustment pin.

NOTE: Do not force the pin into the adjustment hole. Be sure that the strap is not pinched when inserting the pin.

4. Reinstall the bow tie cotter pin into the adjustment pin to secure the boom-arm.

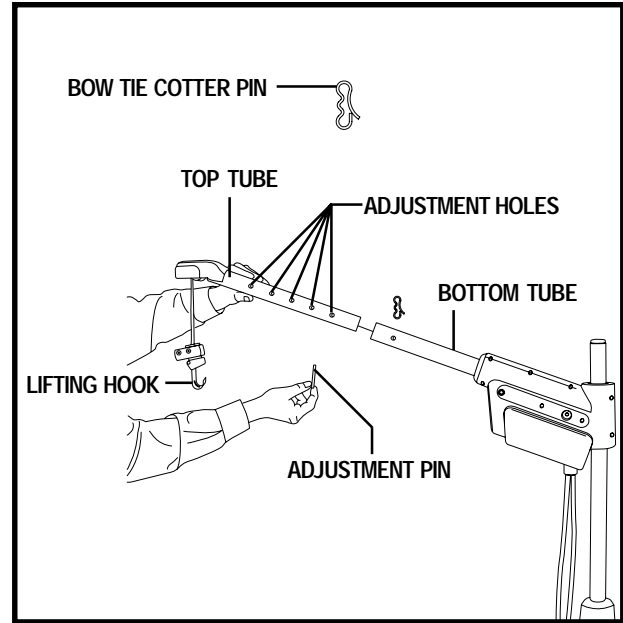


Figure 9. Boom-arm Adjustment

L-BASE INSTALLATION

Tools needed for installation:

- Power drill
- 3/8" drill bit
- Adjustable wrench
- Socket set
- Phillips head screwdriver

After determining the ideal spot for your lift to be permanently mounted, remove the entire lift from the vehicle except for the L-base.

1. Inspect the undercarriage of the vehicle where the lift L-base is located for obstructions that may hinder the installation of the five (5) mounting bolts that will secure the L-base to the vehicle. Obstructions may consist of electrical wiring, gas tank, bumper mounts, or exhaust pipes. You may need to adjust the base extensions to clear obstructions. If possible, install the L-base with the base extensions fully extended. **See figure 10.**



WARNING! Explosive Conditions Hazard! The bumper mounts on some vehicles are gas pressured. DO NOT drill into them.

2. If all is clear under the L-base, mark the position of the five (5) mounting holes and drill them using a 3/8-in. drill bit. Drill all mounting holes from inside the vehicle. **See figure 10.**
3. Reinstall the L-base and align the mounting holes of the L-base with the holes you just drilled.
4. Position the T-bar on the end of the base support that runs parallel with the rear of the vehicle, and install a mounting bolt and washer through it and the L-base. **See figure 10.**

NOTE: When the lift is installed inside a trunk, it may be necessary to remove the motor housing and upper post for the trunk to close.

5. Install the four (4) remaining mounting bolts and washers onto the L-base.

III. INSTALLATION

NOTE: Choosing the correct length bolt allows enough bolt-thread to pass through the undercarriage, ensuring enough room for the mounting washer and nut to be installed securely.

6. From under the vehicle, install the mounting washers and nuts to all five (5) mounting bolts and tighten. See figure 10.

NOTE: The holes in the mounting washers are for working around obstructions. Choose the hole that best works in the area you are installing the mounting bolts.

7. Place the L-base cap over the L-base and secure it with the supplied screws. See figure 11. Replace the base shroud for power rotating base models.

8. Reinstall the upper post.

NOTE: When inserting the upper post into the power rotating base, a slight adjustment of the sprocket may be needed to align the insertion hole with the lower post located inside the power rotating base. This can be done by inserting the upper post into the sprocket and moving it until it descends into the power rotating base's lower post.

9. Reinstall the motor housing and make adjustments as necessary.

The lift is now fully assembled. See figure 12.

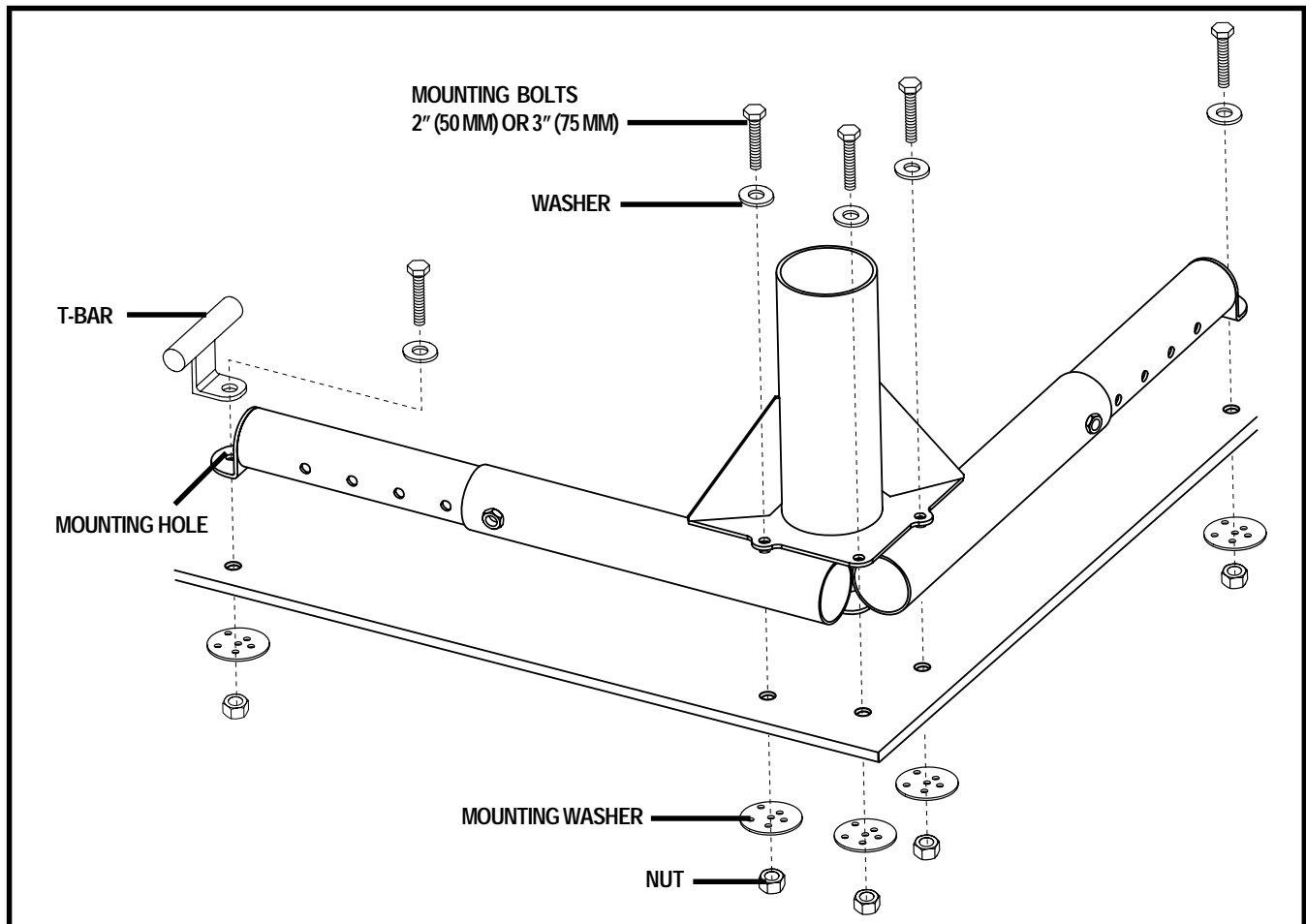


Figure 10. Securing The L-Base

III. INSTALLATION

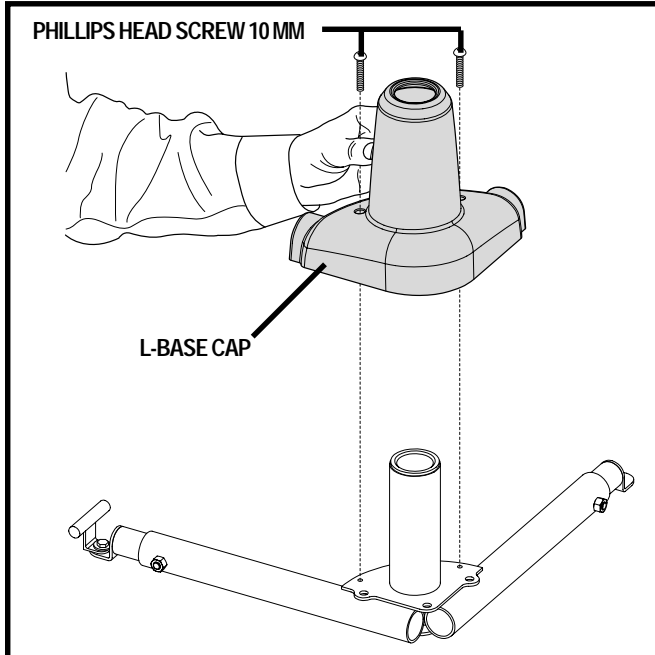


Figure 11. L-Base Cap Installation

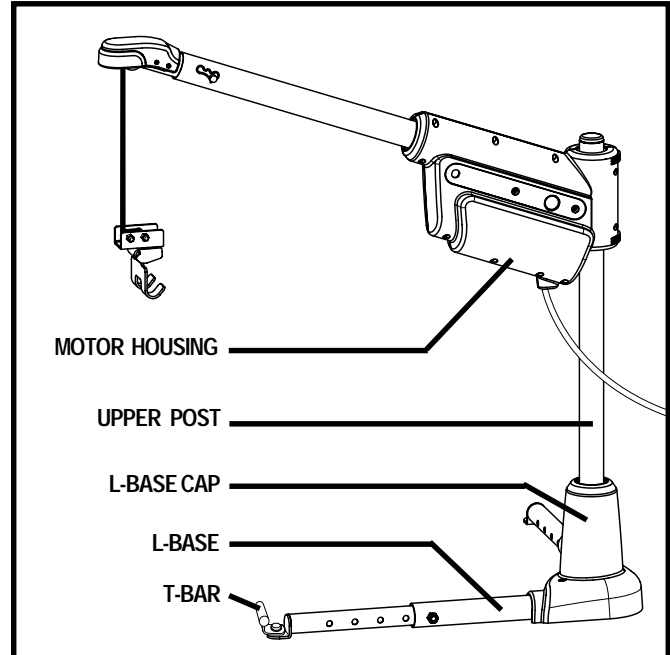


Figure 12. Fully Assembled Lift (SilverBoom 300 Shown)

ELECTRICAL WIRING INSTALLATION

1. Route the lift's long power wire (starting at the lift) through the interior of the vehicle until you reach the automobile battery. **See figure 13 and 13A.** Conceal the wire behind or under the interior panels (there should be existing holes). Be certain that the wire is protected with a rubber grommet when passing it through the metal panels and into the engine compartment. Inside the engine compartment, secure the wire to the firewall and the inner fender with the supplied plastic wire ties. Use care not to cause abrasions to the power wire. It is important to secure the power wire at various points along its run.
2. Insert the red positive (+) lead on the power wire into the spliced end of the red positive (+) battery lead, then crimp the splice to secure the wire.
3. Connect the red positive (+) battery lead to the positive (+) battery terminal and the black negative (-) ground wire to the negative (-) battery terminal.



WARNING! The red positive (+) wire must be connected directly to the positive (+) battery terminal.

WARNING! The black negative (-) wire must be connected directly to the negative (-) battery terminal.

4. Connect the harness extending from the motor housing to the harness coming from the battery (black to black and red to red).

III. INSTALLATION

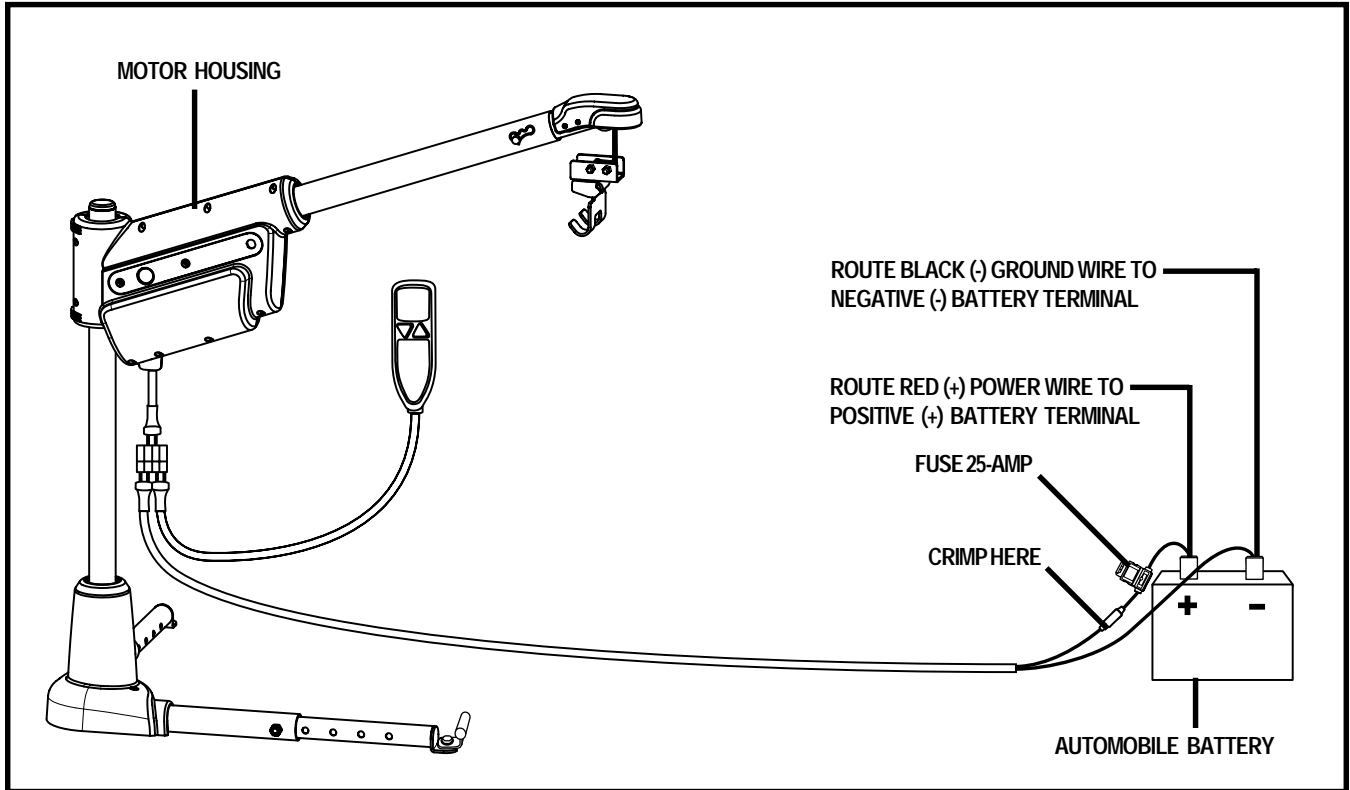


Figure 13. SilverBoom 300 Electrical Wiring Connections

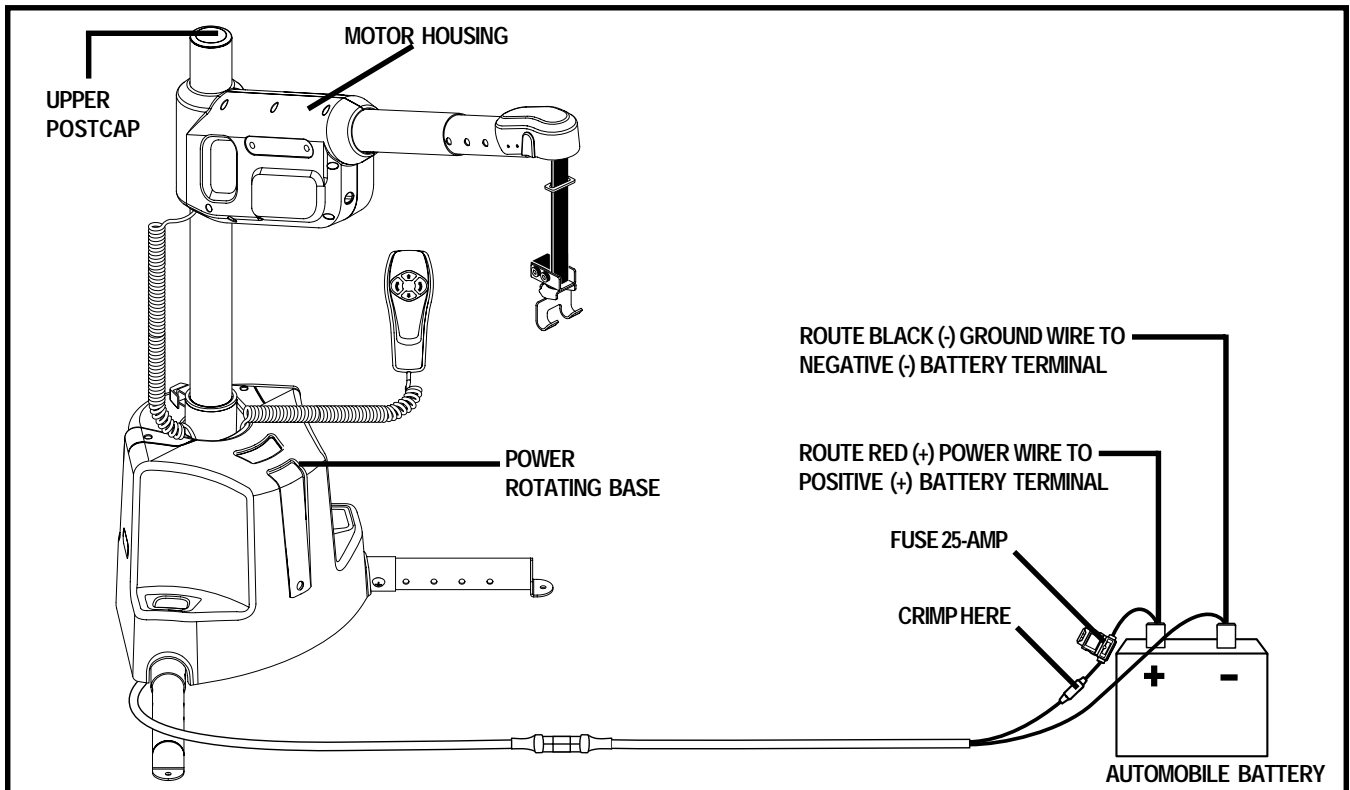


Figure 13A. SilverBoom 300 With Power Rotating Base Electrical Wiring Connections

IV. OPERATION



PROHIBITED! Avoid exposure to rain, snow, ice, salt, or standing water whenever possible. Maintain and store in a clean and dry condition.

HAND/REMOTE CONTROL OPERATION

Hand Control

The hand control for the SilverBoom 300 operates the lifting strap in two directions, up and down. See **figure 14**.

Power Rotating Base

The hand control for the SilverBoom 300 power rotating base operates the lifting strap up and down and the boom-arm from side to side. See **figure 14A**.



WARNING! Exercise extreme caution when operating the power rotating base. Be aware of moving parts.

Remote Control

The remote control for the SilverBoom 300 equipped with a power rotating base operates the lifting strap up and down and the boom-arm from side to side. See **figure 14B**. The remote control works best when used within 6 feet (182 cm) of the power rotating base. When used in full sunlight, it is recommended to be within 3 feet (91 cm) of the power rotating base for optimal performance.

Programming The Remote Control

1. Press any button on the remote control. Ensure that the LED lights up.
2. Align the remote control and receiver on the base of the lift in a straight line and keep them apart by at least 12 inches (30.48 cm). Bringing them closer may lead to a failed programming operation.
3. Press the top button and the right button on the base station and hold it for 5 seconds.
4. Release the buttons when the LED on the power base begins to blink.
5. Try the remote control to ensure it works correctly.

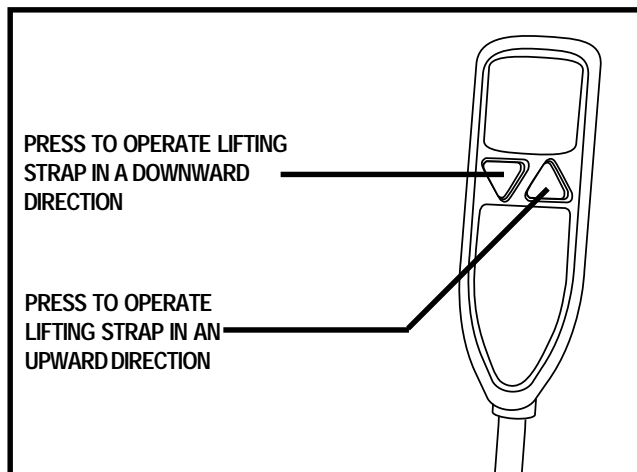


Figure 14. Hand Control (SilverBoom 300)

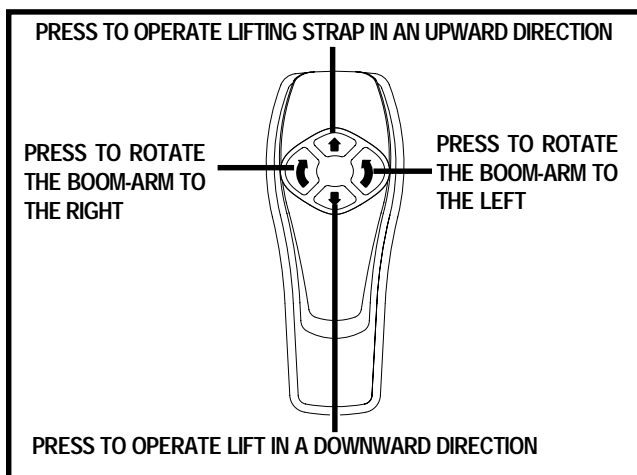


Figure 14A. Hand Control (SilverBoom 300 With A Power Rotating Base)

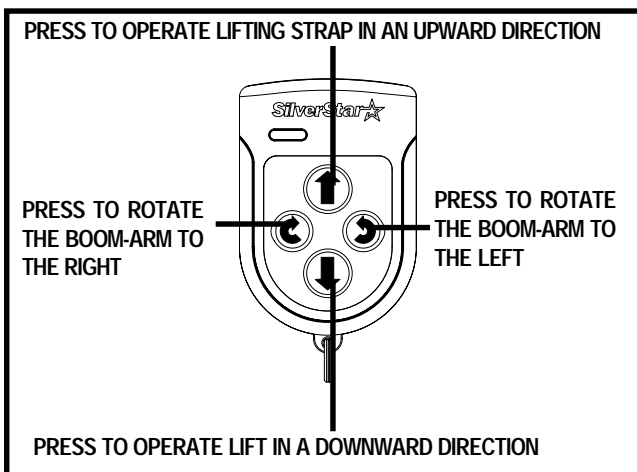


Figure 14B. Remote Control (SilverBoom 300 With A Power Rotating Base)

IV. OPERATION

Remote Control Battery Replacement
As with all electronic devices powered by batteries, the battery of the remote control will eventually need to be replaced. When the lift responds intermittently or no longer responds to the commands from the remote control, replace the battery.

To replace the batteries of the remote control:

1. Loosen and remove the screws from the back of the remote control.
2. Remove the old battery. The battery slides in and out from the side. Do not lift the battery straight up.
3. Replace old battery with one of the same size (CR2430 3-volt).
4. Reassemble the remote control.

LIFTING THE MOBILITY PRODUCT



WARNING! Before operating the SilverBoom for the first time, be absolutely certain you have the proper docking device for your mobility product.

1. Prepare your mobility product for transport. Ensure that the power is off or key is removed and properly secure the batteries. You may also need to lower the tiller and/or remove the seat.
2. Position your mobility product on the ground behind the installed lift. Be sure that there is ample space between the mobility product and the vehicle bumper to ensure that the mobility product will not hit the bumper while being raised. If the mobility product is too far from the vehicle's bumper, the mobility product will be dragged when attempting to lift it.
3. Position the boom-arm over the mobility product.
4. Operate the lift (via the hand/remote control in the downward direction until the lifting hook reaches the T-bar. The lift strap should drop straight down to the T-bar. **See figure 15.**



WARNING! Inspect the lifting strap before each use for twisting, fraying, and signs of wear.

- Keep tension on the lifting strap with your free hand when lowering the lifting hook.
- Lower the lifting hook only to the T-bar of the docking device.



WARNING! Do not extend the lifting strap past the warning label located on it. See figure 16.

5. Place the lifting hook onto the docking device T-bar. **See figure 15.**
6. Operate the lift in the upward direction.

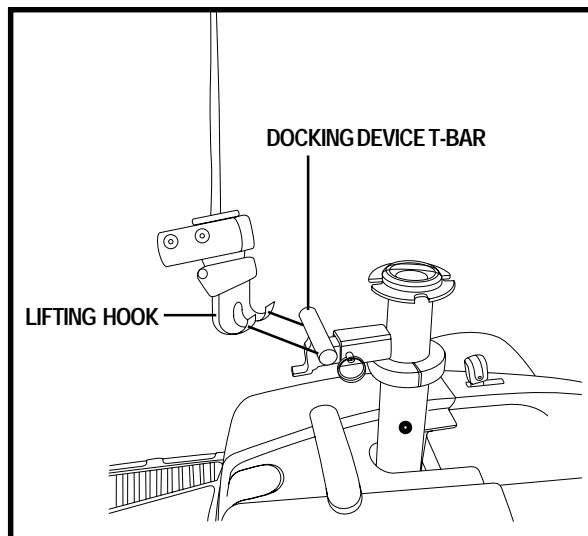


Figure 15. Lifting Hook Placement

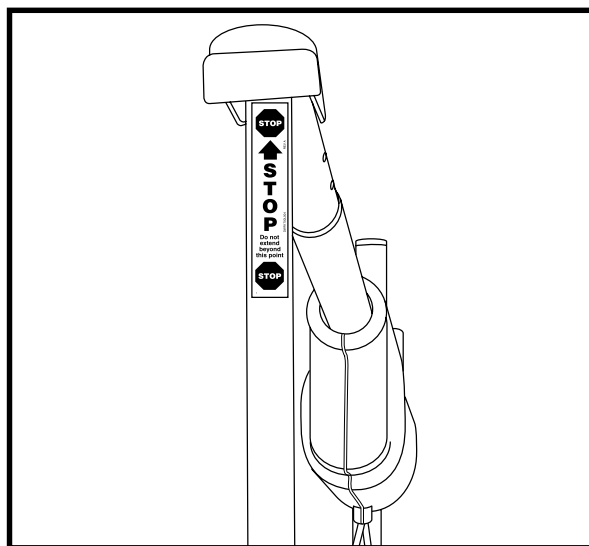


Figure 16. Lifting Strap Warning Label

IV. OPERATION



WARNING! Pinch/Crush Hazard! Always keep hands clear of the lifting strap while the SilverBoom is lifting/lowering a mobility product. The operator of the lift should stand a safe distance away from the mobility product being lifted/lowered to ensure that feet are never positioned under a raised mobility product.

Do not drag the mobility product into position using the lift. If dragging occurs, your mobility product is too far away from the vehicle. **To prevent dragging:**

- Release the lifting strap tension then remove the hook from the docking device.
- Correct the position of the mobility product.
- Attempt the lift again.



MANDATORY! The SilverBoom 300 is designed to lift a maximum weight of 300 lbs (136 kg). Do not exceed this limit.

7. If the mobility product begins to tilt, lower it completely and adjust the docking device by moving the pick-up bar in the direction of the tilt (*when using a C-arm*).
8. Tighten the pick-up bar once the proper balance point has been found (*when using a C-arm*).
9. Once the mobility product is raised high enough to fit into the vehicle, stop the lift. **See figure 17.**

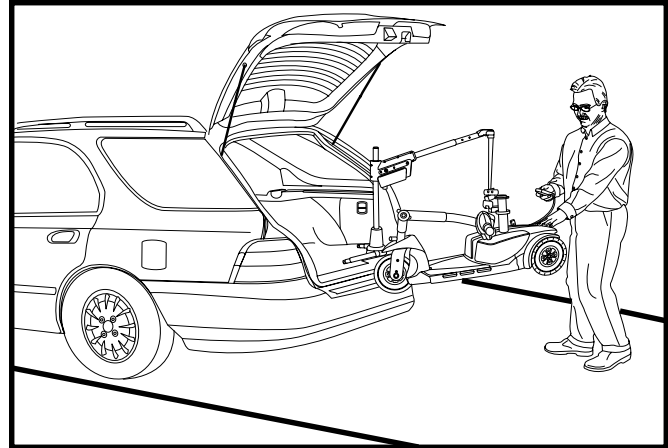


Figure 17. Lifting The Mobility product

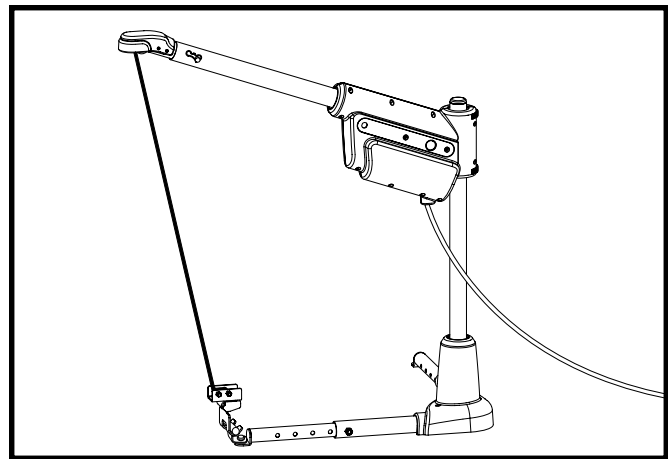


Figure 18. Securing The Boom-arm

10. Swing the boom-arm toward the vehicle. When the mobility product is securely in the vehicle, lower the lift strap until all of the mobility product's wheels are on a solid surface.
11. If installed in a van or SUV, disconnect the hook from the docking device and attach it to the T-bar on the base extension. (This prevents the boom-arm from swinging freely while the motor vehicle is in motion.) Operate the lift in the upward direction until the strap is snug. **See figure 18.**



MANDATORY! Secure the boom-arm so it does not swing during transport. A swinging boom-arm can be a hazard. If you cannot secure the boom-arm to prevent it from swinging freely, remove the motor housing and lay it flat inside the vehicle.



WARNING! Do not over-tighten the strap. Doing so may put excessive strain on the motor, causing the circuit breaker to trip.

NOTE: If installed in a trunk, disconnect the black-red power harness (see figure 13 or 13A) and remove the motor housing and upper post and place it in an area where it will be secure. The height of the boom-arm will not allow the trunk to close.

IV. OPERATION

12. Disconnect the power to the SilverBoom to prevent any accidental movement when transporting your mobility product.



WARNING! Your SilverBoom was designed to be mounted primarily in a motor vehicle. Mounting your SilverBoom on a platform, where the height of the lift may cause the lifting strap to extend beyond a safe point, can damage the SilverBoom and injure the lift operator.

MANUAL LIFT STRAP OPERATION

The SilverBoom 300 with a power rotating base is equipped with a lift strap manual override that serves as backup in the event of a power failure. Using the supplied tool, rotate the manual crank located at the front of the boom-arm motor housing clockwise or counterclockwise to move the lift strap up or down. See figure 19.

NOTE: Attaching the supplied tool to a power drill will increase the speed at which the lifting strap will move.

BOOM-ARM MANUAL ROTATION (MODELS WITH A POWER ROTATING BASE)

In the event of power failure, the boom-arm can be manually rotated by pulling back the flip handle to disengage the securement pin. See figure 20. This allows the boom-arm to swing freely. To secure the boom-arm, rotate it until the flip handle securement pin “clicks” into the upper post.

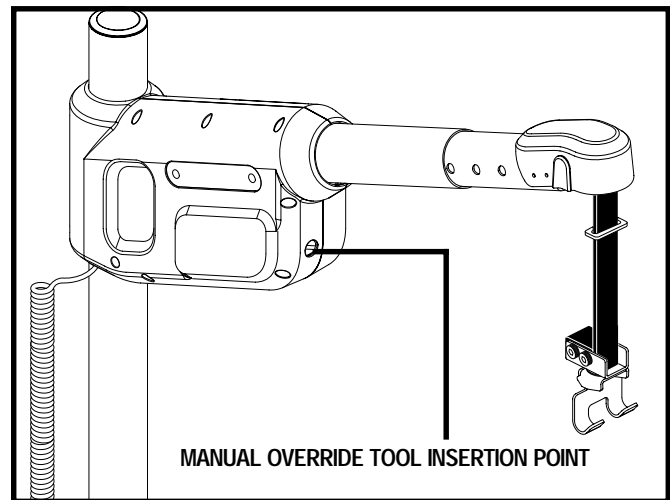


Figure 19. Lift Strap Manual Override

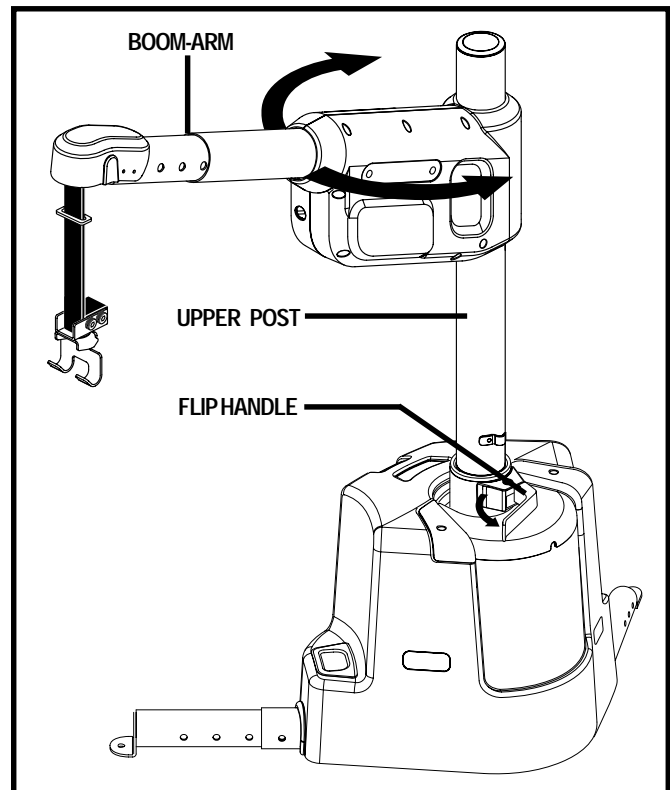


Figure 20. Lift Strap Manual Override

V. TROUBLESHOOTING

LIFT WILL NOT OPERATE

- Check the circuit breaker reset button. Reset if necessary. **See figures 21 and 22.**
- Ensure all harness connections are secure.
- Ensure the power wire leading to the positive battery terminal is tight and not corroded.
- Check the fuse located on the red power wire near the battery. If blown, replace with a new 25-amp fuse. **See figure 23.**

WARNING! Do not use a higher rated fuse than 25-amp. Doing so may damage the lift's electrical system.



WARNING! The replacement fuse must exactly match the rating of the old fuse. Failure to use properly rated fuses may cause damage to the electrical system.

LIFT STOPS OPERATING

If your SilverBoom is heavily strained because of excessive loads, the main circuit breaker (**see figures 21 and 22**) may trip to protect the motor and electronics from damage. When the breaker trips, the entire electrical system shuts down.



WARNING! Never attempt to lift more than 300 lbs. (136 kg) with the SilverBoom 300.

To reset the main circuit breaker:

1. Allow a minute or so for the electronics to “cool.”
2. Push in the reset button to reset the breaker.

If the breaker trips frequently, contact your authorized Pride Provider.

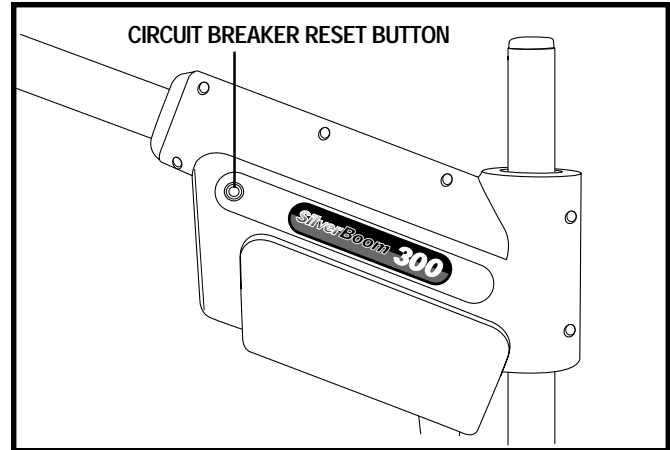


Figure 21. Circuit Breaker Reset Button SilverBoom 300

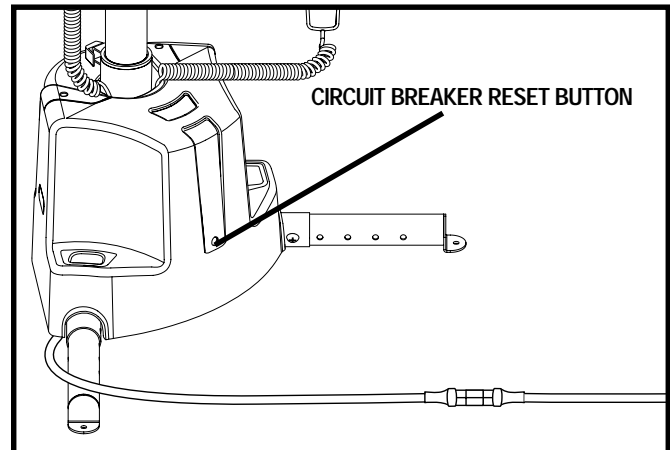


Figure 22. Circuit Breaker Reset Button Power Rotating Base Models

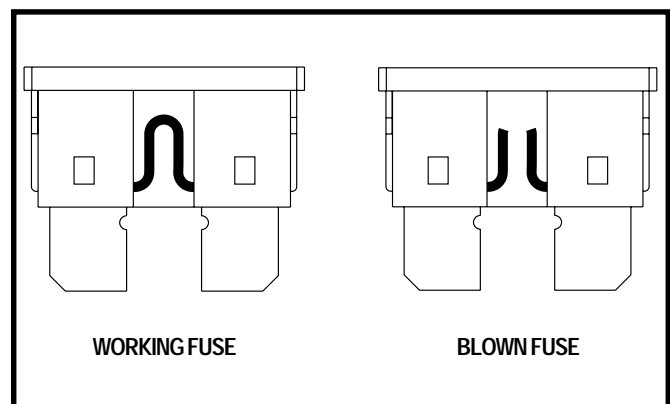


Figure 23. Fuse Replacement

V. TROUBLESHOOTING

LIFTING STRAP TRAVELS IN OPPOSITE DIRECTION OF BUTTON BEING PUSHED ON HAND CONTROL

Before each use, check that the lifting strap is traveling in the proper direction. If the belt travels in the wrong direction when you press either the up or down button, you must restore proper lifting strap travel.

To restore proper lifting strap travel:

1. Pull slightly on the strap and operate the lift until the strap is extended completely past the “stop” warning label.
2. Allow the strap to rewind itself. Do not allow any twists in the belt.

Observe the travel of the belt: it should correspond with the button being pushed on the hand control. If you are still experiencing problems, contact your authorized Pride Provider.

VI. MAINTENANCE SCHEDULE

The following routine maintenance should be performed at the indicated intervals. Failure to perform the required maintenance procedures at the required intervals may void Pride's product warranty.

Perform prior to daily use:

- Inspect lift strap wear and replace if necessary.
- Inspect swivel hook for damage and to ensure it rotates freely.
- Inspect all external electrical connectors for damage and replace if necessary.

Perform every 6 months:

Inspect all mounting hardware for defects and a secure fit. Any hardware found to be loose, should be tightened or replaced if necessary.

Perform every 6–12 months:

- Remove upright post and lubricate with "General Purpose Petroleum Based Grease".
- Remove plastic shrouds and visually inspect chains for damage and replace if necessary.
- Lubricate chains with "General Purpose Petroleum Based Grease".
- Inspect plastic shrouds for cracks or damage and replace if necessary.

Perform every 36 months (Power Rotating Base only):

Remove plastic shroud and apply anti-seize lubricant to the main drive sprocket shaft.

NOTE: Use "*Petroleum Based Anti-seize lubricant*" only.

V I I . W A R R A N T Y

THREE-YEAR TRANSFERABLE LIMITED WARRANTY

For three (3) years from the date of purchase, Pride Mobility Products will repair or replace at our option, free of charge, any mechanical or electrical component found upon examination by an authorized representative of Pride to be defective in material and/or workmanship.

This warranty does not extend to those items, which may require replacement due to normal wear and tear.

- Labor, service calls, shipping, and other charges incurred for repair of the product, unless specifically authorized by Pride Mobility Products Corporation IN ADVANCE, are excluded.

Exclusions also include components with damage caused by:

- Contamination
- Abuse, misuse, accident, or negligence
- Battery fluid spillage or leakage
- Commercial use, or use other than normal
- Improper operation, maintenance, or storage
- Repairs and/or modifications made to any part without specific consent from Pride Mobility Products Corporation.
- Circumstances beyond the control of Pride

ONE-YEAR WARRANTY

The battery is covered by a separate one (1) year warranty provided by the battery manufacturer. The batteries are not warranted by Pride Mobility Products Corporation.

SERVICE CHECKS AND WARRANTY SERVICE

An authorized Pride Mobility Products Provider must perform warranty service. Do not return faulty parts to Pride Mobility Products without prior written authorization. All transportation costs and shipping damage incurred while submitting parts for repair or replacement is the responsibility of the purchaser.

Failure to follow the instructions, warnings, and notes in the owner's manual and those located on your Pride lift product can result in personal injury or product damage and will void Pride's product warranty.

There is no other express warranty.

IMPLIED WARRANTIES

Implied warranties, including those of merchantability and fitness for a particular purpose, are limited to one (1) year from the date of purchase and to the extent permitted by law. Any and all implied warranties are excluded. This is the exclusive remedy. Liabilities for consequential damages under any and all warranties are excluded.

Some states do not allow limitations on how long an implied warranty lasts or do not allow the exclusion of limitation incidental or consequential damages. The above limitation or exclusion may not apply to you.

This warranty gives you specific rights, and you may also have other rights, which vary from state to state.

Please fill out and return the product registration card to Pride Mobility Products. This will aid Pride in providing the best possible technical and customer service.



Pride® **SilverStar**™ 
Lifts & Ramps

Pride Mobility Products Corp.
182 Susquehanna Avenue
Exeter, PA 18643
www.pridemobility.com
www.silverstarlifts.com

* I NFMANU3210 *

Free Manuals Download Website

<http://myh66.com>

<http://usermanuals.us>

<http://www.somanuals.com>

<http://www.4manuals.cc>

<http://www.manual-lib.com>

<http://www.404manual.com>

<http://www.luxmanual.com>

<http://aubethermostatmanual.com>

Golf course search by state

<http://golfingnear.com>

Email search by domain

<http://emailbydomain.com>

Auto manuals search

<http://auto.somanuals.com>

TV manuals search

<http://tv.somanuals.com>