

About PYLE PLO -Series Woofer

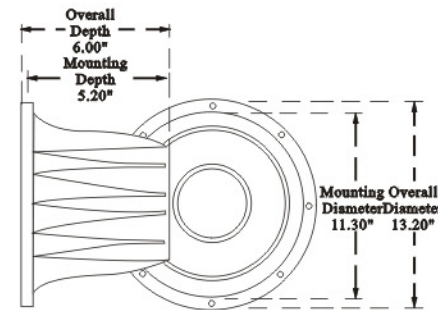
Congratulations!

You have just purchased one of our high quality PYLE woofer. PLD- Series Woofer is carefully designed & manufactured for vehicle use. They could deliver consistent and high performance.

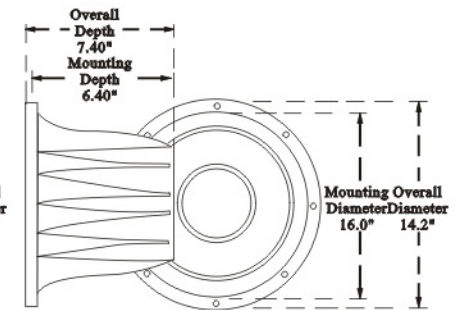
The General Features of PYLE PLD-Series Woofer

Silver PP Cone
 Specially Treated Rubber Edge Suspension
 Bumped & Vented Motor Structure
 High Temperature Dual Kapton Voice Coil
 Double Magnet Structure
 4 OHM Impedance
 DIE CAST ALUMINIUM FRAME LJD

PLD12WD



PLD15WD



Specification	PLD12WD	PLD15WD
Power(Watts Peak)	2000	4000
Nom. Impedance(Ohm)	4	4
Voice Coil	2.0\"KSV	2.5\"KSV
Magnet Structure	100+100 OZ	100+100 OZ
Fs(Hz)	25	20
Qms	2.68	5.03
Qes	0.90	0.89
Qts	0.68	0.66
SPL(dB)	92	92
Vas(cuft)	2.730	8.689

American PYLE Woofer continually strives to improve the performance and value of its products- all specifications are subject to change.

Free Manuals Download Website

<http://myh66.com>

<http://usermanuals.us>

<http://www.somanuals.com>

<http://www.4manuals.cc>

<http://www.manual-lib.com>

<http://www.404manual.com>

<http://www.luxmanual.com>

<http://aubethermostatmanual.com>

Golf course search by state

<http://golfingnear.com>

Email search by domain

<http://emailbydomain.com>

Auto manuals search

<http://auto.somanuals.com>

TV manuals search

<http://tv.somanuals.com>