



PLDV6K

COMPONENT SPEAKER SYSTEM INSTALLATION MANUAL

www.pyleaudio.com

Thank you for purchasing the PYLE DRYVER speaker system. It is a state-of-the-art product carefully designed and manufactured for vehicle use, and has been thoroughly tested to ensure consistent and reliable performance.

If you have any question about the installation or operation of your PYLE DRYVER speaker system which are not answered by this manual contact, your dealer in first instance.

Precautions

- Before making holes, check the mounting space with supplied template
- To prevent noise pick-up, keep the wiring of this unit away from motors, high-voltage leads and other possible noise source.
- To prevent short-circuit, keep all wiring away from moving parts sharp edges.
- Make sure you have carefully read and understood the installation instruction.

Tools required

These are the tools required to complete the basic installation of the PYLE DRYVER full range series components. Additional tools are necessary for more custom work unit.

1. Electric drill with bit
2. Philips screwdriver
3. Flat blade screwdriver
4. Wire Strippers
5. Crimping tool
6. Saber saw, hole saw, or nibbler
7. Utility Knife
8. Silicon sealant or weather stripping(optional)
9. Electrical tape

1

PLDV6K

One Pair 6.5" Mid Bass Speaker:

- Standard 6.5" Size OEM locations
- Poly Injection Cone
- Non-Fatiguing Butyl Rubber Surround
- 1" High Temperature ASV Voice Coil
- 25 Oz Magnet Structure
- Rubber Magnet Cover
- Power Handling: 120 Watts RMS. 240 Watts MAX
- Frequency Response: 50Hz – 6KHz
- Impedance: 4 Ohm

One Pair Tweeter:

- 1" Silk Dome Tweeter
- 3 Mounting Options: Flush / Swivel / Surface and Angle Mount
- 50 Watts RMS / 100 Watts Peak
- Frequency Response: 1.4 – 24KHz
- Impedance: 4 Ohm

One Pair Passive Crossover Network

- Two-Way Passive Crossover
- 12 dB Octave Slope

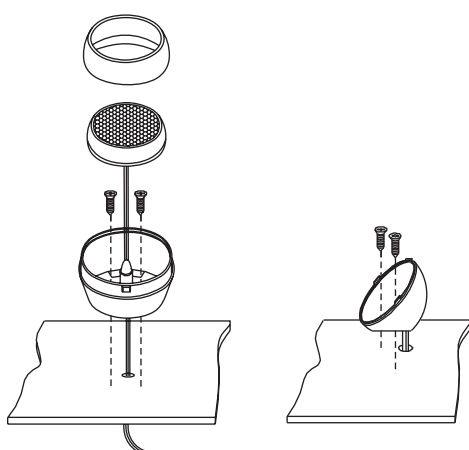
Accessories:

- Includes Custom Grills
- Wires and Installation Hardware

2

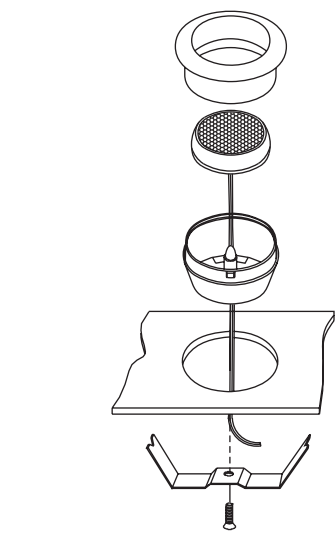
INSTALLATION OF TWEETER

Surface Mount / Angle Mount



1. Choose a proper installation point for the tweeters. Be sure that you have enough clearance for the tweeter installation screw and that no other wires will get pinched behind this location by the tweeter mounting screw.
2. Assemble the tweeters as per the drawing to the left. Place the tweeter into the bracket and rotate it clock-wise until the tweeter locks into the bracket.

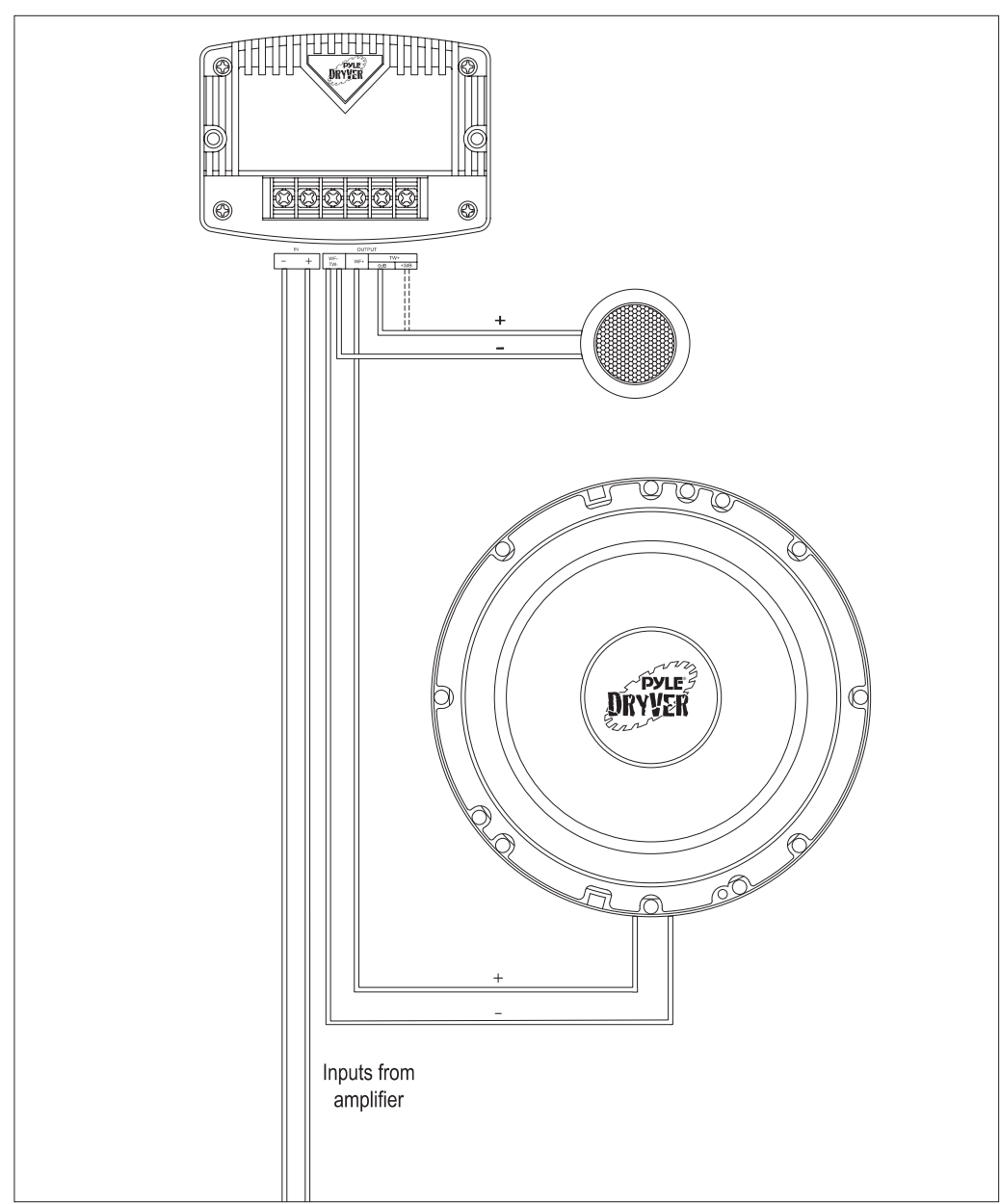
Flush Mount



1. Choose a proper installation point for the tweeters.
2. Make a 48mm diameter hole where you want to flush mount the tweeter
3. Before cutting the hole-be sure that you have enough clearance for the tweeter housing depth.
4. Assemble the tweeters as per the drawing to the left. BE SURE TO CONNECT THE WIRES BEFORE PLACING THE TWEETER INTO THE FLUSH MOUNTING HOLE!

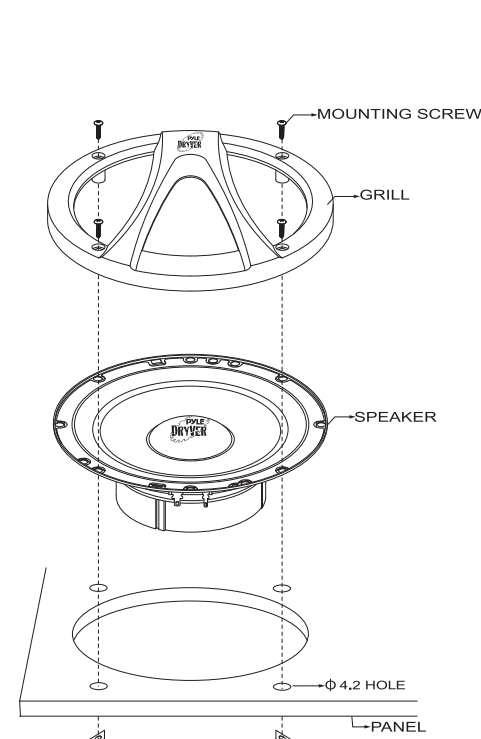
3

CROSSOVER INSTRUCTION



4

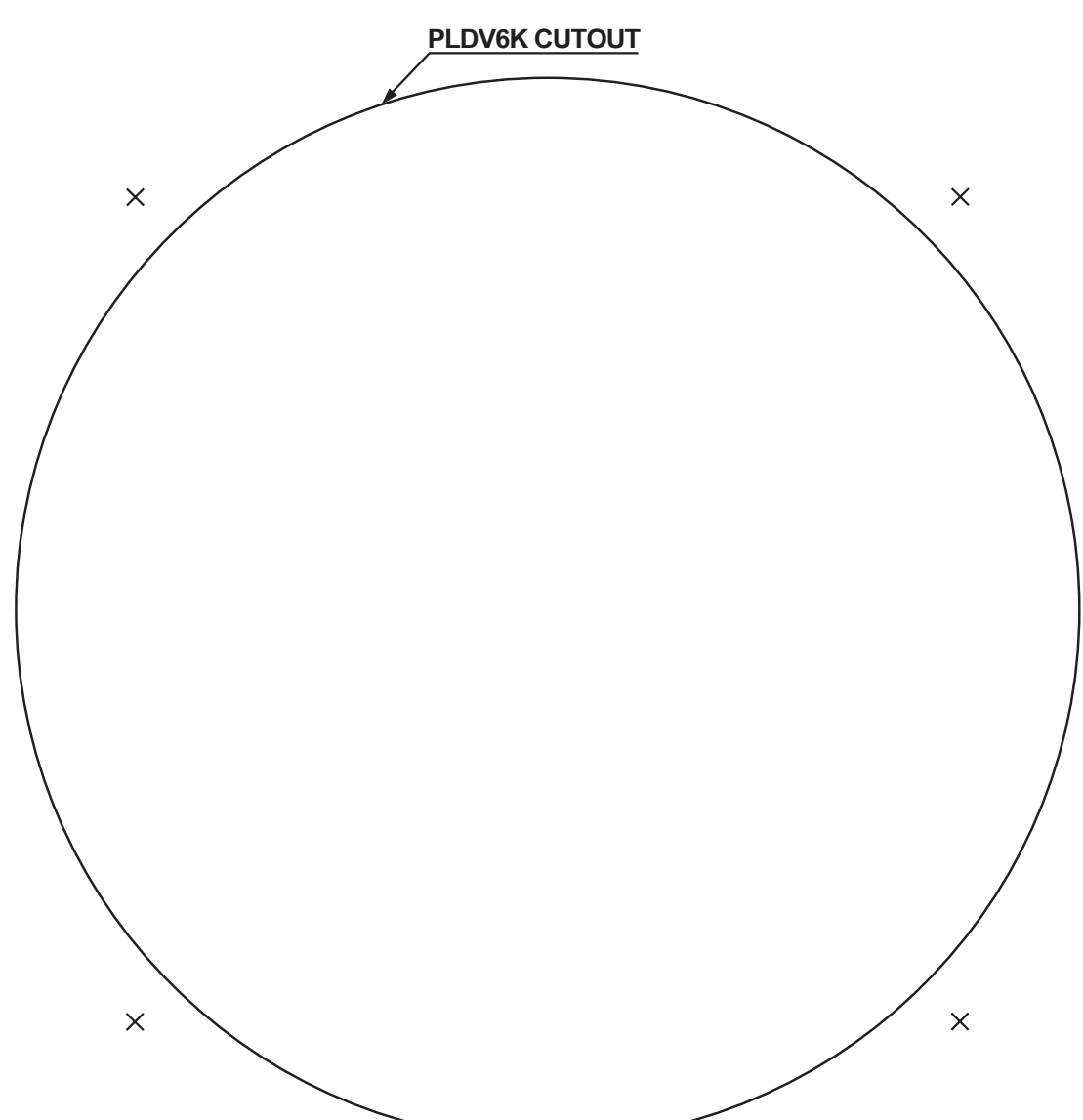
WOOFER INSTRUCTION (PLDV6K)



1. Using mounting template for speaker, mark the correct mounting location by a pencil or pen.
2. Cut out the panel by this marking and drill 4 bores for the mounting bolts to pass through.
3. Connect the terminal of speaker to car audio correctly by using cord provided
Caution: Be careful not to misconnect polarity
4. Insert grill & speaker Unit in the speaker mounting hole at the rear panel and fix speaker with bolts & screws & nuts provided.

5

TEMPLATE (PLDV6K)



6

Free Manuals Download Website

<http://myh66.com>

<http://usermanuals.us>

<http://www.somanuals.com>

<http://www.4manuals.cc>

<http://www.manual-lib.com>

<http://www.404manual.com>

<http://www.luxmanual.com>

<http://aubethermostatmanual.com>

Golf course search by state

<http://golfingnear.com>

Email search by domain

<http://emailbydomain.com>

Auto manuals search

<http://auto.somanuals.com>

TV manuals search

<http://tv.somanuals.com>