

DEAR CUSTOMER:

Thank you for your purchase of our audio-visual product.

Selecting fine audio equipment such as the unit you have just purchased is only the start of your musical enjoyment. Now it is time to consider how you can maximize the fun and excitement your equipment offers.

We hope you get the most out of your equipment by playing it at a safe level.

One that lets the sound come through loud and clear without annoying blare or distortion, and, more important, without affecting your sensitive hearing.

Sound can be misled. Over time your hearing "comfort level" adapts to higher volumes of sound. So what sounds "normal" can actually be loud and harmful to your hearing.

Guard against this by setting your equipment at a safe level **BEFORE** your hearing adapts.

- To establish a safe level:

Start your volume control at the lowest setting, then slowly increase the sound until you can hear it comfortably and clearly, and without distortion we want you listening for a lifetime.

- Once you have established a comfortable sound level:

Set the dial and leave it there.

Taking a minute to do this now will help to prevent hearing damage or loss in the future. After all, we want you listening for a lifetime.

- **ABOUT THIS MANUAL**

This product features a number of sophisticated functions ensuring superior reception and operation. All are designed for the easiest possible use, but many are not self-explanatory.

This operation manual is intended to help you benefit fully from their potential and to maximize your listening enjoyment.

- We recommend that you familiarize yourself with the functions and their operation by reading through the manual before you begin using this product. In this operation manual, the Basic Operation for each sound source is outlined at the beginning of its explanation, covering simple operation for that source, such as merely playing music.

Remark:

- In addition to normal audio CD, this unit can play CD-R and CD-R/W disc that contain audio tracks as well; however, depending on the conditions of the recording equipment, recording program or the CD-R as well as CD-R/W disc itself, some CD-R or CD-R/W may not play.

- When making music CD with CD-R or CD-R/W disc, too high recording speed may result in poor signal quality and therefore, it is recommendable to select 24x or lower speed for CD-R recording and 4x or lower speed for CD-R/W recording.

SPECIFICATION

GENERAL

Supply Voltage	DC 13.8V. Negative Ground
Current Consumption	Max. 10A
Power Output	25W X 4.
Unit Dimensions	178[W] X 165[D] X 50[H] mm.

FM SECTION

Frequency range	87.5MHz -107.9MHz
Effective sensitivity	3uV.
I.F Frequency	10.7MHz.

AM SECTION

Frequency range	530KHz - 1710KHz
Effective sensitivity	40dB.
I.F Frequency	450KHz

RCA LINE OUT (OPTION)

Output	CD Max. 1200mv
--------	----------------

CD PLAYER

System	Compact Disc Audio System.
Suitable CDs	CD/CD-R/CD-RW/MP3 Disc
Signal format	Sampling frequency 44.1KHz. NO. of quantization bits 1bit.
Frequency characteristics	20-100Hz ≤ 5dB 10-20KHz ≤ 5dB.
S/N Ratio to CD	50dB [1KHz]
Number of channels	2 STEREO channels.

LOCATION AND FUNCTION OF CONTROLS

Fig. 1

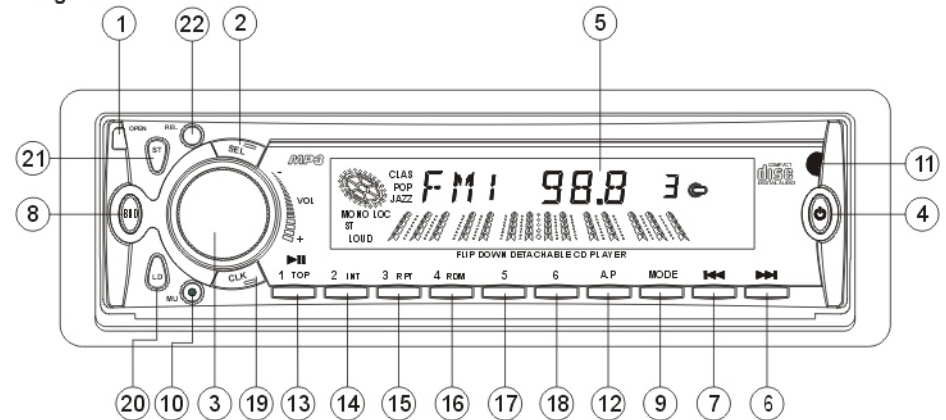


Fig. 2

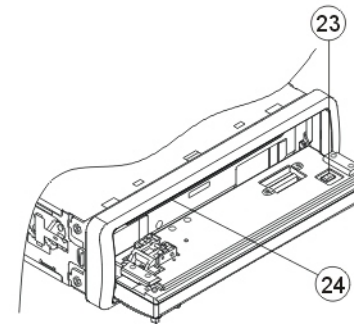
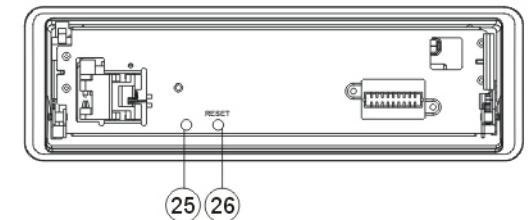


Fig. 3



1. OPEN BUTTON

Press the OPEN button to fold down the front control panel.
Then a CD can be inserted into the CD slot or ejected by pressing the EJECT button at the back of the front control panel.

2.3. SEL BUTTON (Select) AND VOL(MENU)+/- KNOB

- Press the SEL button briefly to select the mode of sound mode item by item, such as VOLUME, BASS, TREBLE, BALANCE and FADER.
Now the settings of them can be adjusted by rotating the VOL +/- knob.
(Note: If equalizer settings such as POP and JAZZ have been selected in DSP, it is impossible to change to BASS and TREBLE.)
- Press the SEL button and hold for more than 1 second to access the menu mode. Now press the SEL button briefly to select the menu mode as follows: DSP (DSP OFF / POP M / JAZZ M / CLASS M / FLAT M), BEEP ON/OFF, SEEK 1/2, VOL LAST/ADJ.

DSP

In DSP mode you can select the equalizer settings POP M, JAZZ M, CLASS M and FLAT M, and DSP OFF by rotating the VOL +/- knob.

BEEP ON/OFF

You can select two types of confirmation beep by rotating the VOL +/- knob.

BEEP ON: The confirmation beep can be heard whenever a button is pressed.

BEEP OFF: The confirmation beep is switch off.

SEEK 1 / 2 (only available during radio operation)

Seek function with the **▶▶** or **◀◀** buttons during radio operation.

You can select SEEK 1 / SEEK 2 by rotating the VOL +/- knob.

SEEK 1: Keep the **▶▶** or **◀◀** buttons pressed down and the radio will stop at the next station that is detected.

SEEK 2: As long as the **▶▶** or **◀◀** buttons are pressed down the search function will continue in the frequency band.

VOL LAST/VOL ADJ

You can select VOL LAST or VOL ADJ mode by rotating the VOL +/- knob.

VOL LAST: The radio switches on at the actual volume it had when it was last switched off.

VOL Addition: Rotating the VOL +/- knob you can pre-select a constant switch-on volume.

4. POWER ON/OFF

Turn the power on by using any button except the OPEN and REL button and the VOL +/- knob on the front control panel; Press PWR button and hold for approximate two seconds to turn power off.

Press the PWR button repeatedly to adjust the brightness of the VFD.

5. VFD Display

6.7. TUNE, SEEK, TRACK, SKIP UP / DOWN BUTTONS

a) During RADIO mode:

press the **▶▶** or **◀◀** button briefly to tune a frequency manually.

Press the **▶▶** or **◀◀** button and hold for more than one second to start the automatic search for a radio station with a strong signal level.

(See also the function SEEK 1/SEEK 2.)

b) During CD/MP3 mode:

press the **▶▶** button briefly to play next track. Press the **◀◀** button briefly to play the current track from the beginning of the current track.

Press the **◀◀** button twice continuously to play the previous track.

Press the **▶▶** or **◀◀** button hold to skip forward or backward.

8. BAND BUTTON

Press the BND button briefly to select the radio broadcasting band you would hear.

TROUBLE SHOOTING

Before using the check list please make all the connections first.

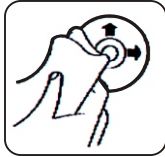
If you still have questions after going through the checklist, please consult your local customer service representative.

Common Symptoms	Cause	Solution
There is no power.	The car ignition is switched off.	If the power supply is properly connected to the car accessory, switch the ignition key to " ON " or " ACC " .
	The fuse has blown.	Replace another fuse according to the wiring diagram.
The CDs cannot be loaded.	Presence of CD disc inside the player	Remove the disc in the player then put a new upward
The CDs are loaded only halfway into the CD tray.	The transport screws have not been removed.	Remove the transport screws before using.
The device does not work correctly (EJECT, LOAD, PLAY)	Inserting the disc in upside down	Insert the compact disc with the label facing upward
	The surface of CD is extremely dirty or it is damaged.	Clean the CD or try another CD, if this works correctly, the first CD is properly damaged.
	Temperature inside the car is too high.	Cool off until the ambient temperature returns to normal
There is no sound.	The volume control is set too low.	Turn up the volume properly.
	The device has not been correctly connected.	Check the power and earth connection according to the wiring diagram.
The operation keys do not work	1.The built-in microcomputer is not operating properly due to noise 2.Front panel is not properly fix into its place	1. Switch the device off and on again. Or press the RESET button to resume the program. 2. Reinstall the front panel
The sound of the CD player skips	The installation angle is more than 30 degrees	Adjust the installation angle to less than 30 degrees
	The surface of the road is uneven.	Wait until the road becomes smoother before playing the CD.
	The surface of CD is extremely dirty or it is damaged.	Clean the CD or try another CD, if this works correctly, the first CD is properly damaged.
No radio reception.	The antenna cable is not connected.	Insert the antenna cable firmly into the antenna socket of the device.
In automatic search mode the radio does not stop at a transmitting station.	The transmission signals are too weak.	Tune in to a radio station manually.

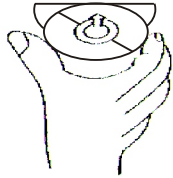
PRECAUTION OF DISC PLAY:

Cleaning the CD:

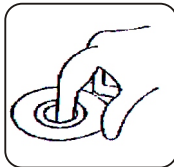
Before playing a CD, wipe it off with a clean, dust-free cleaning cloth. Wipe the disc in the direction of the arrow.



Always insert the CD with the label side facing upwards. If the CD is inserted with the printed side facing downwards, the device may be damaged.



Note: If there is already a CD in the CD slot, do not try to insert a second CD. For this may damage the device. Always hold CDs by the edge. In order to keep the CD clean do not touch the surface. Pull out the CD as the direction of follows.



Do not attach any sticker or adhesive tape on the CD.

Do not expose the CD to direct sunlight or sources of heat such as heating pipes.

Do not leave CDs in a car if it parked in direct sunlight as that will lead to a considerable rise in the temperature inside the car.

Note: Do not use any solvents such as petrol or thinning agents. Commercially available cleaning substances or antistatic spray will damage the device.

9. MODE BUTTON

Press the **MODE** button to select the **CD/MP3** player or radio mode.

10. MUTE BUTTON

Press the **MU** button to suppress the loudspeaker temporarily, and press again to resume listening. The sound can also be resumed by pressing the **SEL**, **LD** button or rotating the **VOL +/-** knob.

11. INFRARED REMOTE CONTROL SENSOR

12. A.P BUTTON (Auto-storage /Preset station memory scan)

a) Automatic store preset station memory:

During radio mode, press the **A.P** button and hold for longer than one second to activate automatic station storage. The radio searches within the current frequency band, and the six strongest signal stations are allocate to the corresponding storage locations each band. The stations that have now been stored will be played for approximately five seconds each time, then the station storage location is set. The radio will finish the searching for and storage, the preset channel number and the frequency will appear on the display.

b) Automatic scan preset station memory:

After the **A.P** button has been pressed briefly, the radio scan all the pre-set stations in the current frequency band. (FM 1, FM 2, FM 3, MW 1, MW 2,)

A.P button as a search function during MP3 playback:

a) Direct input the track number for CDs in MP3 format:

- Press the **A.P** button once. The letters **TRK SCH** appear in the display.
 - Press the **SEL** button briefly. The letters **TRK SCH 001** appear in the display. The units place flashes. Rotating the **VOL +/-** knob you can put in a track number from 0 to 9 in the units place.
 - Press the **SEL** button briefly once more. The tens place flashes. Rotating the **VOL +/-** knob you can put in a track number from 0 to 9 in the tens place.
 - Press the **SEL** button briefly once more. The hundreds place flashes. Rotating the **VOL +/-** knob to put in a track number from 0 to 9 in the hundreds place if necessary.
 - press the **SEL** button and hold for 1 second to complete entry of the track numbers. Immediately after this, the selected track is played.
- Note:** If the input track number is overrun the range, it will play the last track in the current MP3 disc.

b) File search function for CDs in MP3 format:

- Press the **A.P** button twice. The letters **FILE SCH** appears in the display.
- Press the **SEL** button briefly to show the first folder that has been selected in the display. Rotating the **VOL +/-** knob it is now possible to select the various folder on the CD.

- Press the SEL button and hold for 1 second. The selected folder is played starting with the first song.
 - Then press the SEL button briefly and you can select a track in the folder by rotating the VOL +/- knob.
 - Complete entry of the titles by pressing the SEL button for 1 second. Immediately after this, the selected track is played.
- c) Keyword search function for CDs in MP3 format:
- Press the A.P button three times. The letters CHAR SCH appear in the display.
 - Press the SEL button briefly. The letter A appears on the left of the display.
 - Then rotate the VOL +/- knob left or right to enter a letter from A to Z or a number from 0 to 9, as well as blank character * in the first position of the display.
 - Press the SEL button briefly. An A appears in the second position of the display.
 - Then rotate the VOL +/- knob left or right to enter a letter from A to Z or a number from 0 to 9 as well as blank character * in the second position of the display.
 - In the same way, you can enter the character in the third, fourth, fifth, ...Xth position until you have entered your search term.
- Note: The following letters and numbers or blank character * are entered from left to right. The last entry can be deleted by pressing the A.P button.
- Complete entry of the search term by pressing the SEL button and hold for 1 second. Immediately after this, the selected track is played.

13-18. PRESET STATION MEMORY AND TOP, INT, RPT, RDM BUTTONS

a) During radio mode:

Press the six buttons briefly directly selects a preset radio station. If the six buttons are pressed for more than 2 seconds, the station currently being listened to is memorized into the selected preset button.

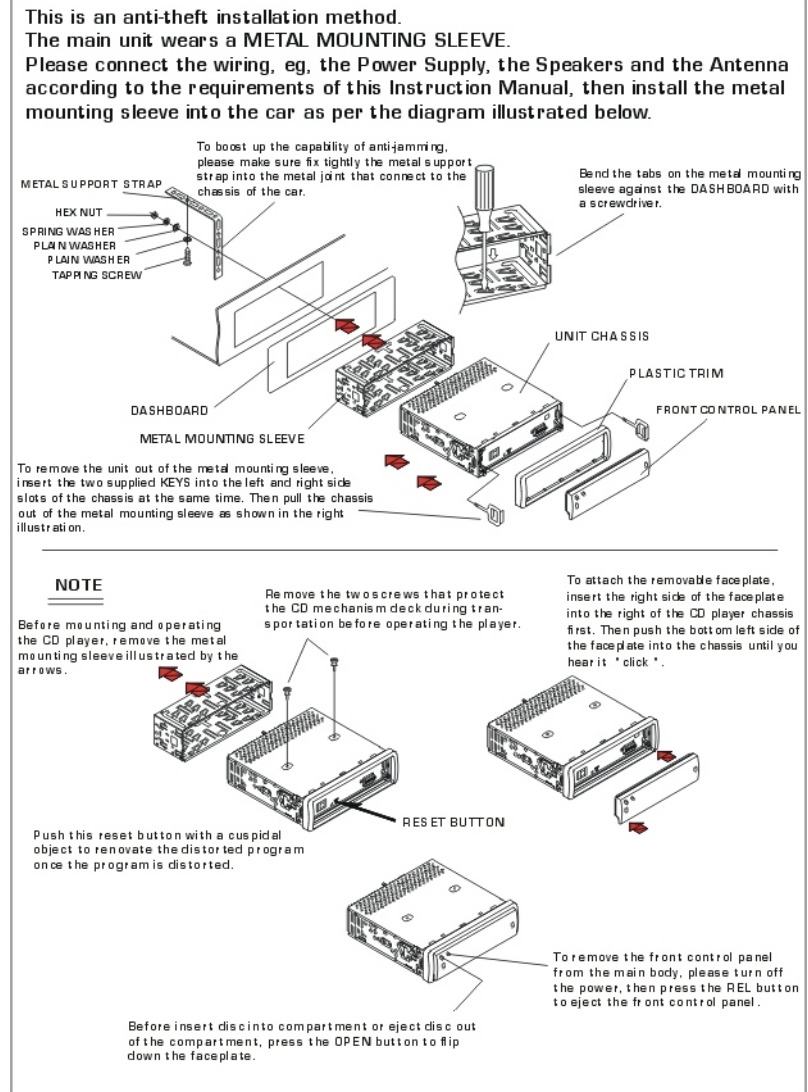
b) During CD/MP3 mode:

- Press the TOP button briefly to interrupt the playback of the CD. Press again to resume normal playback of the CD/MP3.
- Press the TOP button and hold for approximately 2 seconds to play the first track of the current disc.
- Press the INT button to play the first 10 seconds part of each track. Press again to stop scan, while the currently selected track will be played.
- Press the RPT button to play the current track repeatedly. Press again to cancel this function.
- Press the RDM button to play all tracks on disc in random. Press again to cancel this function.

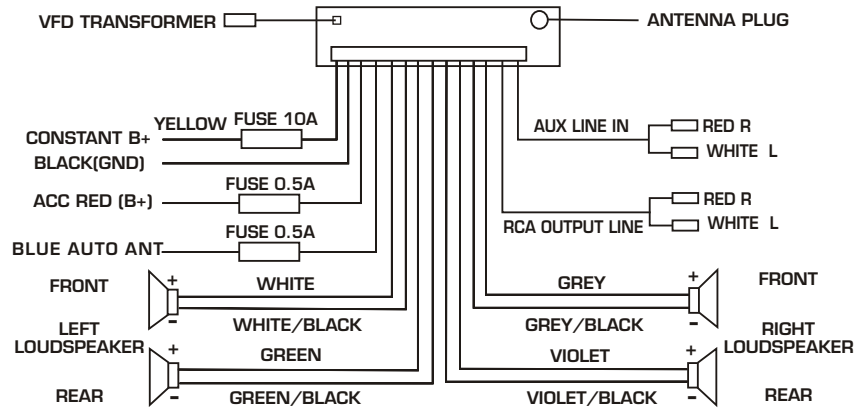
c) During the normal playback of CDs in MP3 format:

- Press the radio preset button 5 and 6 to move up and down 10 tracks at a time.

INSTALLATION METHOD



WIRING DIAGRAM



Note:

1. Make sure use a speaker with 4 ohm load impedance.
2. Do not make the auto antenna wire and ground touch each other.

CAUTION:

In order to protect power IC from being burnt out during installation the car stereo, it is necessary to follow the steps below to connect the wires during installation:

Step 1: Connect the ground wire (**Black**);

Step 2: Connect all speaker wires and power antenna wire (**Blue**):

Left speaker Right speaker

Front speaker: **White (+) White/Black (-) Grey (+) Grey/Black (-)**

Rear speaker: **Green (+) Green/Black (-) Violet (+) Violet/Black (-)**

Step 3: RCA Line Out (R- **Red**/ L-**White**).

Step 4: AUX Line in (R-**Red**/L-**White**).

Note: This AUX Line in for video system audio input.

Step 5: Connect Back up (**Yellow**) and Acc wire (**Red**)

19. CLOCK BUTTON

Press the CLK button briefly to display time on the display, then press the CLK button and hold until the real time flashes on the display. Rotate the VOL +/- knob left to adjust HOUR. Rotate the VOL +/- knob right to adjust MINUTE.

20. LOUDNESS BUTTON

Press the LD button to enhance the bass effect when the volume level is low. Press again to cancel the loudness effect.

21. ST/MO BUTTON

During radio mode, press the ST briefly to select stereo or mono sound mode.

22. RELEASE BUTTON

To remove the front control panel from the main body, press the REL button to eject the front control panel.

23. EJECT KEY

Press this key to eject the CD.

24. CD SLOT

25. FLASHING LED

When the front control panel is removed this indicator flashes.

26. RESET BUTTON

Push this button with a cuspidal object to renovate the distorted program once the program is distorted.

Note: Before operating the unit for the first time, or after replacing the car battery or changing the connections. You must reset the unit. Push this button with a cuspidal object. This operation will erase the clock setting and some stored contents.

OPERATION OF REMOTE CONTROL:

Note:

Before use this remote control, please make sure turn on the device by pressing the power button on the front control panel.

1. Power On/Off.

2. Mute Button

3. Loudness Button

4. Level/MENU UP Button

5. SEL/MENU Button

6. Level/MENU Down Button

7. MO/ST Button 8. A.P Button

9. Band Button 10. Mode Button

11. Tune/Seek Up And Track Skip Up/FF Button

12. Tune/Seek Down And Track Skip Down/REW Button

13. SCAN BUTTON

Press the SCN button to scan the radio frequency. If a valid signal has detected, the current frequency will be hold and blinked for 5 seconds, then press SCN again to stop scan and remain the current frequency; otherwise, the radio will go on to scan the other radio frequency fiver seconds later.

14. Clock Display /Setting Button

15. LO/DX Button

In radio mode, press it to change local reception or distance reception. And the LOC will showing on the LCD display when the receiver detect some signal of stable local station.

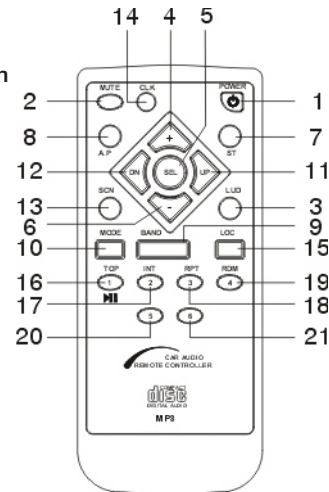
Note: This operation is only for FM reception. During AM mode, LOC is void.

16. CD Track TOP/▶/Radio Preset 1 17. CD Track INT/Radio Preset 2

18. CD Track RPT/Radio Preset 3 19. CD Track RDM/Radio Preset 4

20. Radio Preset 5

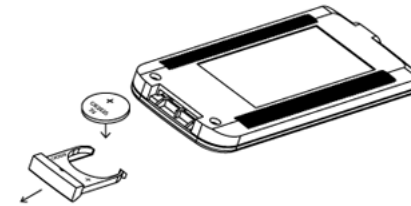
21. Radio Preset 6



The Maintenance of Remote Control

REPLACE THE BATTERY OF REMOTE CONTROL:

1. Remove the battery holder as the direction indicated by the arrow.
2. Replace the battery, Set a new battery properly with (+) side up.
3. Insert the battery holder. Push in the holder to the original position.



BATTERY INFORMATION:

Designated Battery: CR2025 3V

Battery Life: 6 months with normal use in normal room temperature, and the out of date battery must be immediately removed and disposed properly.

CAUTION:

- Improper use of batteries may cause overheating, explosion or ignition, and resulting in jury or fire .
- Battery leakage may cause damage to the unit.
- Do not disassemble or short the batteries.
- Do not throw the batteries into the fire.
- To avoid the risk of accident, keep the batteries out of reach of children.

Free Manuals Download Website

<http://myh66.com>

<http://usermanuals.us>

<http://www.somanuals.com>

<http://www.4manuals.cc>

<http://www.manual-lib.com>

<http://www.404manual.com>

<http://www.luxmanual.com>

<http://aubethermostatmanual.com>

Golf course search by state

<http://golfingnear.com>

Email search by domain

<http://emailbydomain.com>

Auto manuals search

<http://auto.somanuals.com>

TV manuals search

<http://tv.somanuals.com>